

DEEBOT OZMO 930

- EN** Instruction Manual
- DE** Benutzerhandbuch
- ES** Manual de instrucciones
- FR** Manuel d'instructions
- IT** Manuale d'uso



EN	Instruction Manual	2
DE	Benutzerhandbuch	27
ES	Manual de instrucciones	55
FR	Manuel d'instructions	82
IT	Manuale d'uso	109
	Declaration of conformity	136

Congratulations on the purchase of your ECOVACS ROBOTICS DEEBOT!
We hope it brings you many years of satisfaction. We trust the purchase of your new robot will help keep your home clean and provide you more quality time to do other things.

Live Smart. Enjoy Life.

Should you encounter situations that have not been properly addressed in this Instruction Manual, please contact our Customer Service Center where a technician can address your specific problem or question.

For more information, please visit the ECOVACS ROBOTICS official website:
www.ecovacs.com

The Company reserves the right to make technological and/or design changes to this product for continuous improvement.

Thank you for choosing DEEBOT!

Contents

1. Important Safety Instructions	2
2. Package Contents and Technical Specifications	6
2.1 Package Contents.....	6
2.2 Specifications.....	7
2.3 Product Diagram.....	8
3. Operating and Programming	10
3.1 Notes Before Cleaning.....	10
3.2 Quick Start.....	12
3.3 Cleaning Mode Selection.....	15
3.4 Programming the Robot.....	15
3.5 Additional Settings.....	15
3.6 Optional OZMO Mopping System.....	16
3.7 Choosing a Suction Option.....	17
4. Maintenance	19
4.1 OZMO Mopping System.....	19
4.2 Dust Bin and Filters.....	20
4.3 Main Brush, Direct Suction Option and Side Brushes.....	21
4.4 Other Components.....	22
4.5 Regular Maintenance.....	24
5. Troubleshooting	25

1. Important Safety Instructions

When using an electrical appliance, basic precautions should always be followed, including the following:

READ ALL INSTRUCTIONS BEFORE USING THIS APPLIANCE.

SAVE THESE INSTRUCTIONS

1. This Appliance can be used by children aged from 8 years and above and persons with reduced physical, sensory or mental capabilities or lack of experience and knowledge if they have been given supervision or instruction concerning use of the Appliance in a safe way and understand the hazards involved. Children shall not play with the Appliance. Cleaning and user maintenance shall not be made by children without supervision.
2. Clear the area to be cleaned. Remove power cords and small objects from the floor that could entangle the Appliance. Tuck rug fringe under the rug base, and lift items such as curtains and tablecloths off the floor.
3. If there is a drop off in the cleaning area due to a step or stairs, you should operate the Appliance to ensure that it can detect the step without falling over the edge. It may become necessary to place a physical barrier at the edge to keep the unit from falling. Make sure the physical barrier is not a trip hazard.
4. Only use as described in this manual. Only use attachments recommended or sold by the manufacturer.
5. Please make sure your power source voltage matches the power voltage marked on the Docking Station.
6. For INDOOR household use ONLY. Do not use the Appliance in outdoor, commercial or industrial environments.
7. Use only the original rechargeable battery and Docking Station provided with the Appliance from the manufacturer. Non-rechargeable batteries are prohibited. For battery information, please refer to Specifications section.
8. Do not use without dust bin and/or filters in place.

1. Important Safety Instructions

9. Do not operate the Appliance in an area where there are lit candles or fragile objects.
10. Do not use in extremely hot or cold environments (below $-5^{\circ}\text{C}/23^{\circ}\text{F}$ or above $40^{\circ}\text{C}/104^{\circ}\text{F}$).
11. Keep hair, loose clothing, fingers, and all parts of body away from any openings and moving parts.
12. Do not operate the Appliance in a room where an infant or child is sleeping.
13. Do not use Appliance on wet surfaces or surfaces with standing water.
14. Do not allow the Appliance to pick up large objects like stones, large pieces of paper or any item that may clog the Appliance.
15. Do not use Appliance to pick up flammable or combustible materials such as gasoline, printer or copier toner, or use in areas where they may be present.
16. Do not use Appliance to pick up anything that is burning or smoking, such as cigarettes, matches, hot ashes, or anything that could cause a fire.
17. Do not put objects into the suction intake. Do not use if the suction intake is blocked. Keep the intake clear of dust, lint, hair, or anything that may reduce air flow.
18. Take care not to damage the power cord. Do not pull on or carry the Appliance or Docking Station by the power cord, use the power cord as a handle, close a door on the power cord, or pull power cord around sharp edges or corners. Do not run Appliance over the power cord. Keep power cord away from hot surfaces.
19. If the power cord is damaged, it must be replaced by the manufacturer or its service agent in order to avoid a hazard.
20. The power supply is not to be repaired and not to be used any longer if it is damaged or defective.
21. Do not use with a damaged power cord or receptacle. Do not use the Appliance or Docking Station if it is not working properly, has been dropped, damaged, left outdoors, or come in contact with water. It must be repaired by the manufacturer or its service agent in order to avoid a hazard.

1. Important Safety Instructions

22. Turn OFF the power switch before cleaning or maintaining the Appliance.
23. The plug must be removed from the receptacle before cleaning or maintaining the Docking Station.
24. Remove the Appliance from the Docking Station, and turn OFF the power switch to the Appliance before removing the battery for disposal of the Appliance.
25. The battery must be removed and discarded according to local laws and regulations before disposal of the Appliance.
26. Please dispose of used batteries according to local laws and regulations.
27. Do not incinerate the Appliance even if it is severely damaged. The batteries can explode in a fire.
28. When not using the Docking Station for a long period of time, please unplug it.
29. The Appliance must be used in accordance with the directions in this Instruction Manual. ECOVACS ROBOTICS cannot be held liable or responsible for any damages or injuries caused by improper use.
30. The robot contains batteries that are only replaceable by skilled persons. To replace the robot's battery, please contact Customer Service.
31. If the robot will not be used for a long time, power OFF the robot for storage and unplug the Docking Station.
32. **WARNING:** For the purposes of recharging the battery, only use the detachable supply unit CH1630A provided with the appliance.





1. Important Safety Instructions

For EU Countries



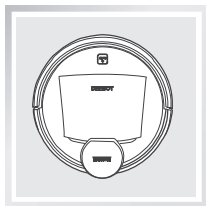
Correct Disposal of this Product

This marking indicates that this product should not be disposed of with other household waste throughout the EU. To prevent possible harm to the environment or human health from uncontrolled waste disposal, recycle it responsibly to promote the sustainable reuse of material resources. To recycle your used device, please use the return and collection systems or contact the retailer where the product was purchased. They can safely recycle this product.

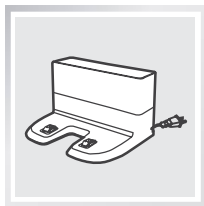
	Class II
	Short-circuit-proof safety isolating transformer
	Switch mode power supply
	For indoor use only

2. Package Contents and Technical Specifications

2.1 Package Contents



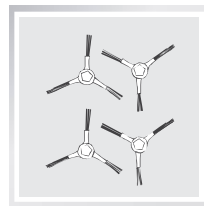
Robot



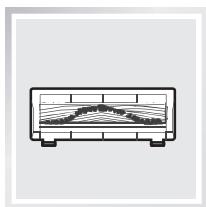
Docking Station



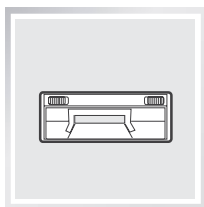
Instruction Manual



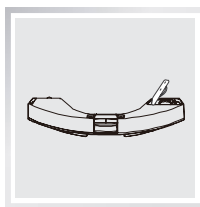
(4) Side Brushes



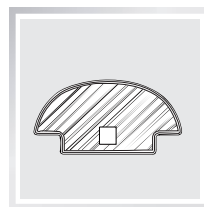
Main Brush Option
(Pre-installed)



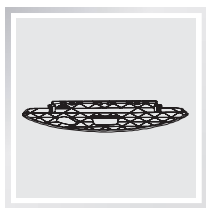
Direct Suction Option



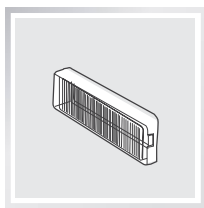
Reservoir



(2) Washable/
Reusable Microfiber
Cleaning Cloths



Cleaning Cloth Plate



Sponge Filter and
High Efficiency Filter

2. Package Contents and Technical Specifications

2.2 Specifications

Model	DG3G		
Working Voltage	14.8V DC		
Docking Station Model	CH1630A		
Input	100-240V AC , 50/60Hz, 25W	Output	20V DC, 0.8A
Battery	S01-LI-148-3200, Lithium 3200mAh, 14.8V		
Laser	max. power: 2.5mW Frequency: 1.8KHz Rotate Speed: 300±5 circle/min		
Frequency bands	2412-2472MHz		

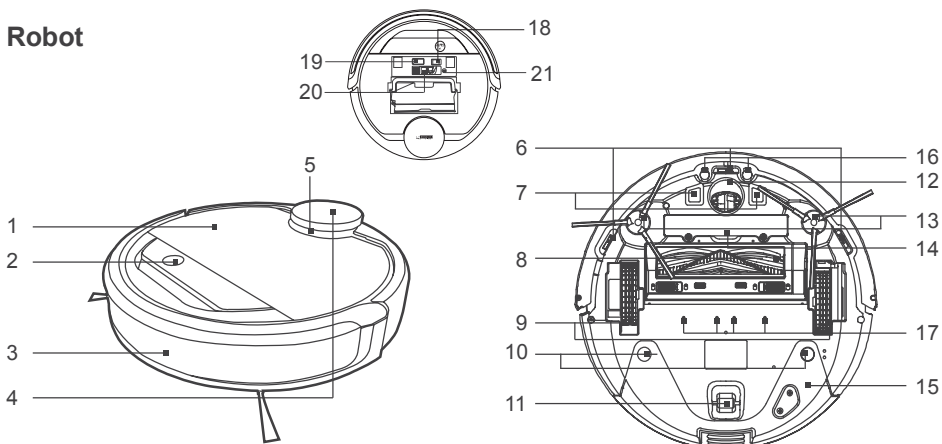
Output power of the WIFI module is less than 100mW.

* Technical and design specifications may be changed in the course of continuous product improvement.

2. Package Contents and Technical Specifications

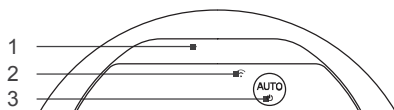
2.3 Product Diagram

Robot



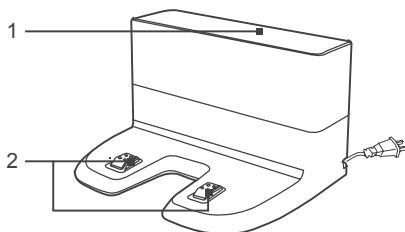
- | | | |
|--------------------------------------|----------------------|----------------------------------|
| 1. Top Cover | 8. Main Brush Option | 15. Reservoir |
| 2. Control Panel | 9. Driving Wheels | 16. Carpet Detection Sensor |
| 3. Anti-Collision Sensors and Bumper | 10. Reservoir Slots | 17. Water Outlets |
| 4. LDS (Laser Distance Sensor) | 11. Roller Wheel | 18. Power Switch |
| 5. LDS Bumper | 12. Universal Wheel | 19. Upgrade Port |
| 6. Anti-Drop Sensors | 13. Side Brushes | 20. Multi-Function Cleaning Tool |
| 7. Charging Contacts | 14. Battery Pack | 21. RESET Button |

Control Panel



- | |
|---------------------------|
| 1. Status Indicator Light |
| 2. Wi-Fi Indicator Light |
| 3. AUTO Mode Button |

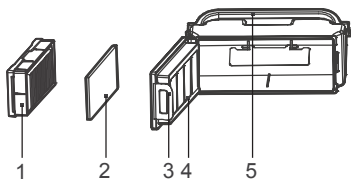
Docking Station



- | |
|-------------------------------|
| 1. Infrared Signal Generators |
| 2. Docking Station Pins |

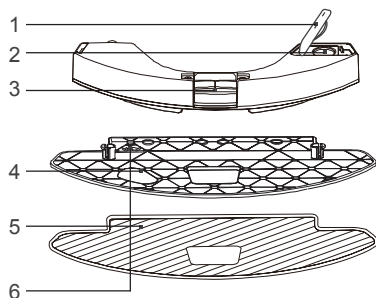
2. Package Contents and Technical Specifications

Dust Bin



1. High Efficiency Filter
2. Sponge Filter
3. Dust Bin Lock
4. Dust Bin Cover
5. Dust Bin Handle

Advanced OZMO Mopping System



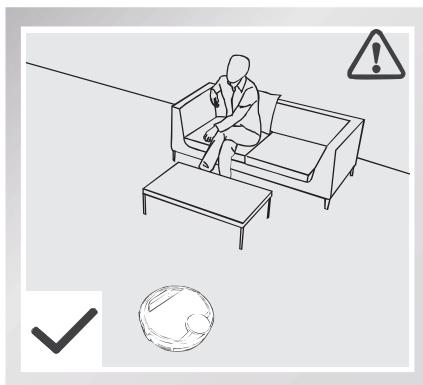
1. Water Inlet Cover
2. Water Inlet
3. Reservoir Release Button
4. Cleaning Cloth Plate
5. Washable/Reusable Microfiber Cleaning Cloth
6. Magnet

3. Operating and Programming

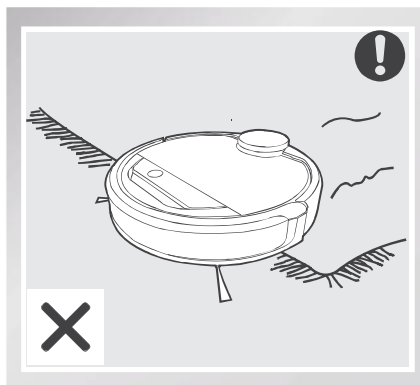
3.1 Notes Before Cleaning

WARNING: Do not use DEEBOT on wet surfaces or surfaces with standing water.

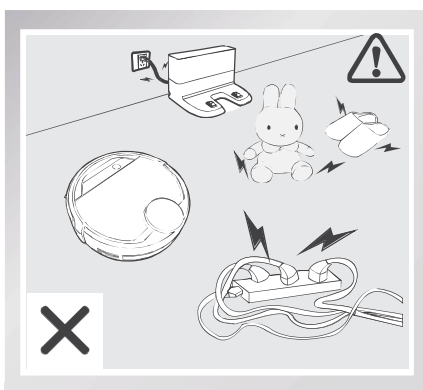
DEEBOT uses SMART NAVI technology (a proprietary laser scanning and mapping system) to scan and generate a map of the home environment. Before operating DEEBOT, take a few moments to survey the area to be cleaned and remove any obstacles.



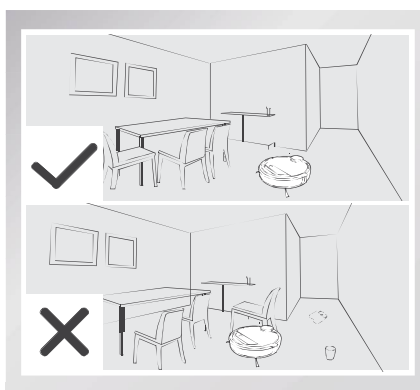
Please supervise DEEBOT during its first cleaning and assist should there be a problem.



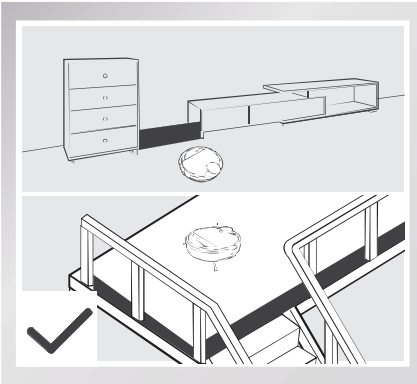
Before using the product on an area rug with tasseled edges, please fold area rug edges under themselves.



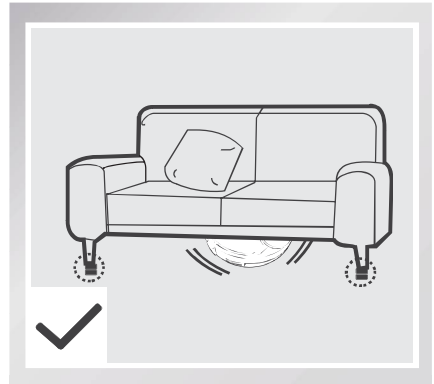
Remove power cords and small objects from the floor that could entangle the product, and tidy up the cleaning area to put furniture like chairs in their proper place.



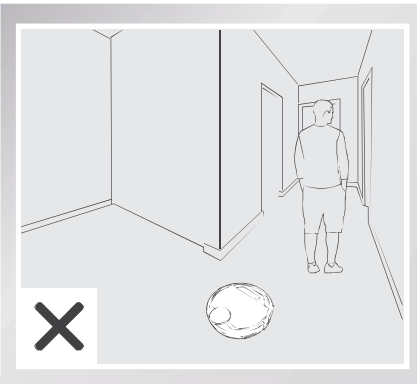
3. Operating and Programming



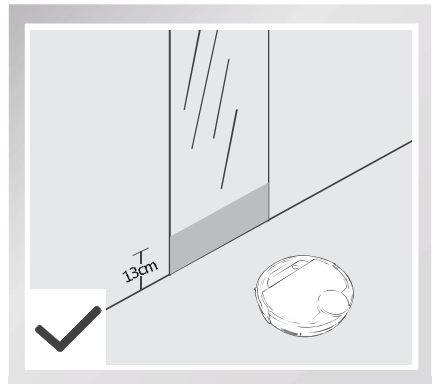
If there is a step or stairs in the cleaning area, please operate DEEBOT to ensure its Anti-Drop Sensors can detect the drop off. It may be necessary to place a physical barrier at the edge of the drop off to keep the unit from falling over the edge.



Please be aware that DEEBOT needs at least an 11cm (4.3") clearance to clean under furniture without complications.

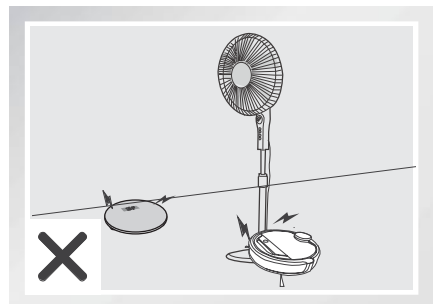


If there is a step or stairs in the cleaning area, please do not stand in narrow spaces, such as hallways, or DEEBOT may fail to identify the area to be cleaned.



Please cover reflective surfaces 13cm (5.1") from the ground.

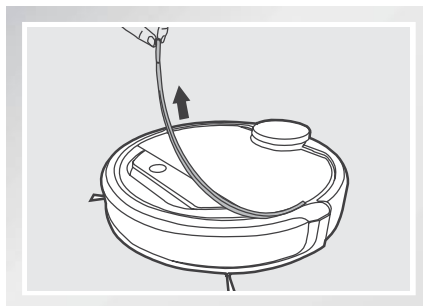
Please be aware that DEEBOT may climb on objects of less than 1.5cm(0.6") height. Please remove these objects if possible.



3. Operating and Programming

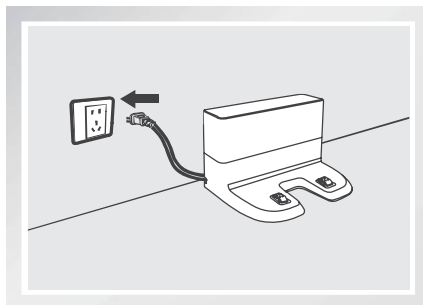
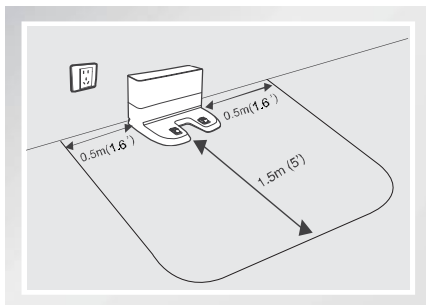
3.2 Quick Start

- Remove the protection strip from the robot's Bumper before use.



1 Docking Station Placement

- Place the Docking Station on a level floor surface against the wall with the base perpendicular to the ground. Keep the immediate area 1.5m (5') in front of the charger and 0.5m (1.6') on both sides of the charger clear of objects and reflective surfaces.
- Plug the Docking Station in.

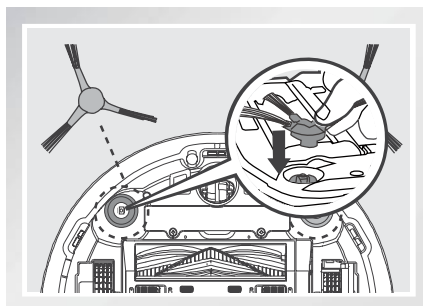


* Do not change the location of the Docking Station once DEEBOT has scanned the environment. If it is necessary to relocate Docking Station, power OFF DEEBOT and then power back ON so DEEBOT can re-scan the environment. Alternatively, use the ECOVACS App to direct the robot to rescan the environment.

3. Operating and Programming

2 Install Side Brushes

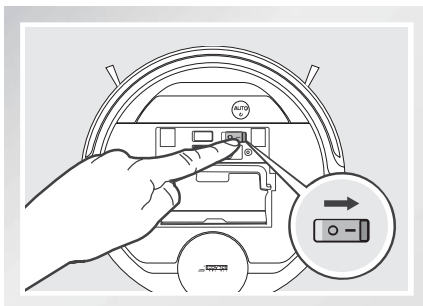
- Attach Side Brushes to the bottom of DEEBOT by pressing a brush into each slot with the matching color until it clicks.



3 Power ON

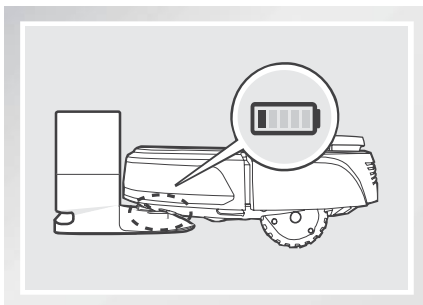
- Open the Top Cover. Move the Power Switch to the ON position. "I"=power ON; "O"=power OFF. The Control Panel illuminates, and DEEBOT plays a musical tune. DEEBOT is powered ON when the Control Panel stays illuminated.

* When DEEBOT is not cleaning, it is suggested to keep it powered ON and charging instead of powered OFF.



4 Charge DEEBOT

- Place DEEBOT on the Docking Station making sure the Charging Contacts on DEEBOT and the Docking Station Pins make a connection.
- Charge DEEBOT for at least 4 hours before the first use.

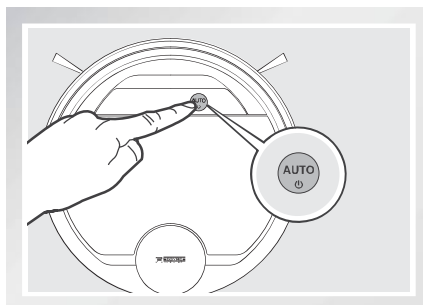


- * Please make sure the Power Switch is turned ON before charging. ("O" indicates OFF and "I" indicates ON).
- * AUTO Mode Button blinks slowly when DEEBOT is charging. AUTO Mode Button stops glowing when DEEBOT is fully charged.
- * When DEEBOT completes the cleaning cycle or when battery power gets low, DEEBOT automatically returns to the Docking Station to recharge itself. DEEBOT can also be sent back to the Docking Station at any time by using ECOVACS App or by pressing the AUTO Button on the robot for 3 seconds.
- * Empty any remaining water from the Reservoir and remove the Cleaning Cloth Plate before charging DEEBOT.

3. Operating and Programming

5 Start

- Press the AUTO Mode Button on DEEBOT. DEEBOT moves around to scan the environment and build the map, and starts to work in AUTO Cleaning Mode at the same time.

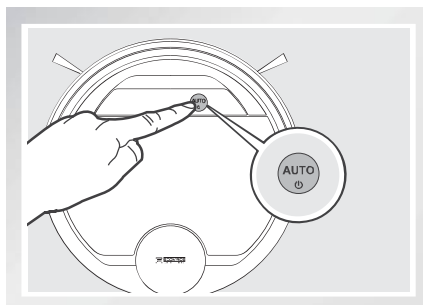


- * DEEBOT must be powered ON to clean.
- * To choose another Cleaning Mode, please refer to section 3.3 Cleaning Mode Selection for details.
- * Do not manually move the robot when it is cleaning or charging.
- * To add water into the Reservoir when DEEBOT is cleaning, pause the robot. Do not manually move it. Press the Reservoir Release Button, and draw out the Reservoir.

6 Pause

- Pause DEEBOT by pressing the AUTO Mode Button on the robot.

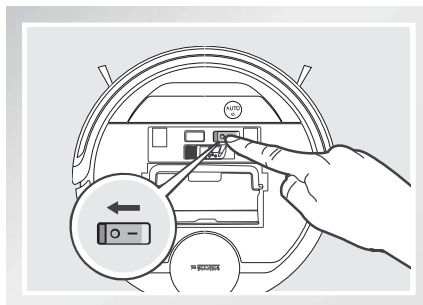
- * The robot's Control Panel stops glowing after the robot is paused for more than 10 minutes. Press AUTO Mode Button on DEEBOT to wake up the robot.



7 Power OFF

- Pause DEEBOT. Open the robot's Top Cover. Move the Power Switch to the OFF position to power OFF. "I"=power ON; "O"=power OFF.

- * When DEEBOT is not working, it is suggested to keep it powered ON and charging.



3. Operating and Programming

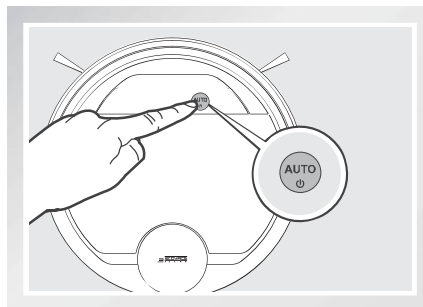
* For models with app-connectivity, various functions can be performed using the ECOVACS App.

3.3 Cleaning Mode Selection

DEEBOT has several Cleaning Modes to choose from to effectively clean different floors. Cleaning Modes are selected using the ECOVACS App.

1 AUTO Cleaning Mode

- This is the most commonly used mode. In AUTO Cleaning Mode, DEEBOT cleans in a back and forth straight-line pattern.



2 Spot Cleaning Mode

- This mode is applicable for areas of highly concentrated dirt or dust. In Spot Cleaning Mode, DEEBOT focuses on selected areas to clean. Specific areas on the map can be selected to be cleaned with Spot Cleaning Mode using ECOVACS App.

3 Area Cleaning Mode

- After DEEBOT has scanned and mapped the environment, specific areas on the map can be selected to be cleaned with Area Cleaning Mode using ECOVACS App.

3.4 Programming the Robot

Time Scheduling

DEEBOT can be programmed weekly to clean multiple times per day at specific times using the ECOVACS App.

3.5 Additional Settings

Virtual Boundary

A Virtual Boundary blocks DEEBOT from cleaning a specified area. The virtual boundary can be set using ECOVACS App.

Continued Cleaning Function

When Continued Cleaning function is turned on, once DEEBOT is fully recharged, it automatically returns to and continues to clean the uncleaned area not completed during the last cleaning task.

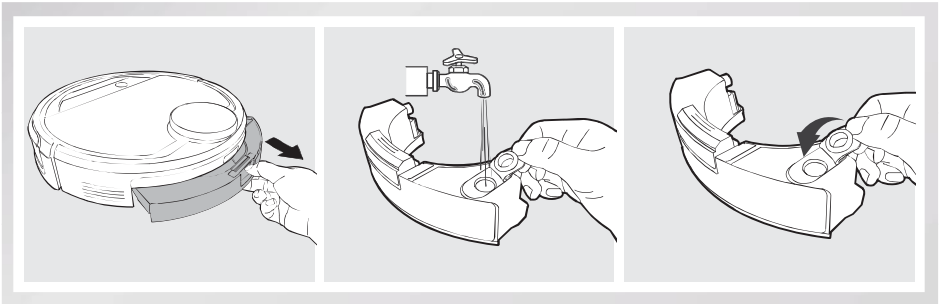
3. Operating and Programming

3.6 Optional OZMO Mopping System

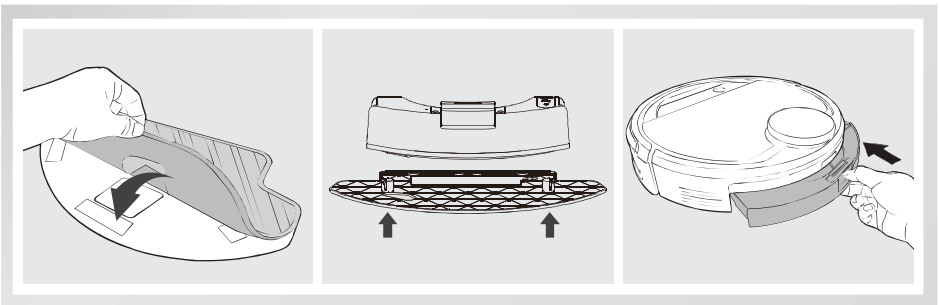
DEEBOT has an optional OZMO Mopping System that uses a Washable/Reusable Microfiber Cleaning Cloth and a Cleaning Cloth Plate attached to a proprietary Reservoir. The Washable/Reusable Microfiber Cleaning Cloth automatically damp mops and then dries the floor to a spotless clean.

- * When using the mopping system, DEEBOT automatically detects and avoids the rug.
- * After DEEBOT finishes mopping, empty any remaining water from the Reservoir.
- * Empty any remaining water from the Reservoir and remove the Cleaning Cloth Plate before charging DEEBOT.
- * Always keep the Reservoir installed when the robot is cleaning or charging.

1 Add Water into the Reservoir



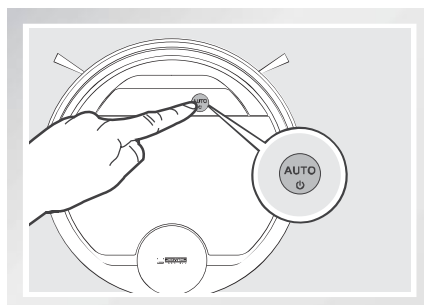
2 Attach Cleaning Cloth; Install the Cleaning Cloth Plate and the Reservoir.



3. Operating and Programming

3 Start

Select the desired Cleaning Mode. DEEBOT sweeps, lifts, vacuums, mops and dries in the selected mode.

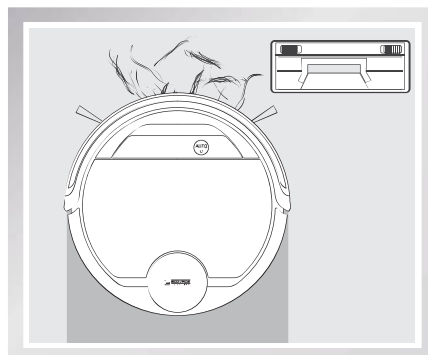
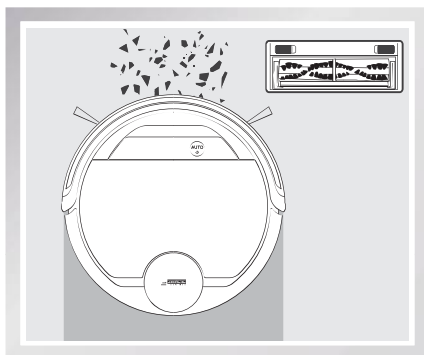


3.7 Choosing a Suction Option

The robot has 2 interchangeable suction options for your convenience.

Main Brush Option: The best choice for deep cleaning with a combination of the Main Brush and strong suction. The Main Brush Option comes pre-installed in DEEBOT.

Direct Suction Option: The best choice for daily cleaning with the Main Brush removed for direct suction. This Suction Option is specifically designed to pick up hair without tangling.

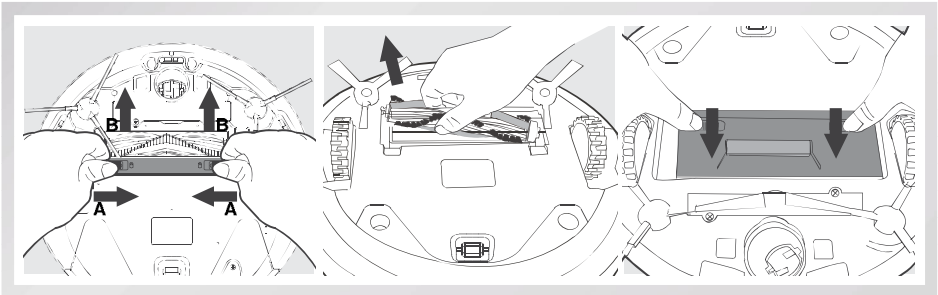


3. Operating and Programming

Install the Direct Suction Option

Turn the robot over. Push both buttons on the Main Brush Option and remove the Main Brush Cover. Remove the Main Brush.

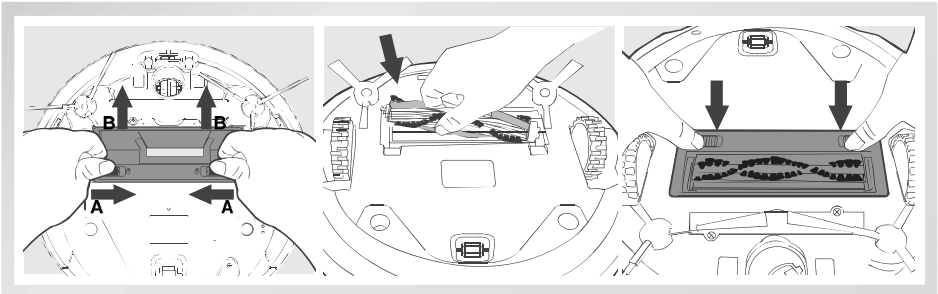
Line up the Direct Suction Option tabs with the slots on the bottom of the robot. Press until the component clicks into place.



Install the Main Brush Option

Turn the robot over. Push both buttons on the Direct Suction Option and remove Direct Suction Option. Insert the Main Brush into the bottom of the robot.

Line up the Main Brush Cover tabs with the slots on the bottom of the robot. Press until the component clicks into place.



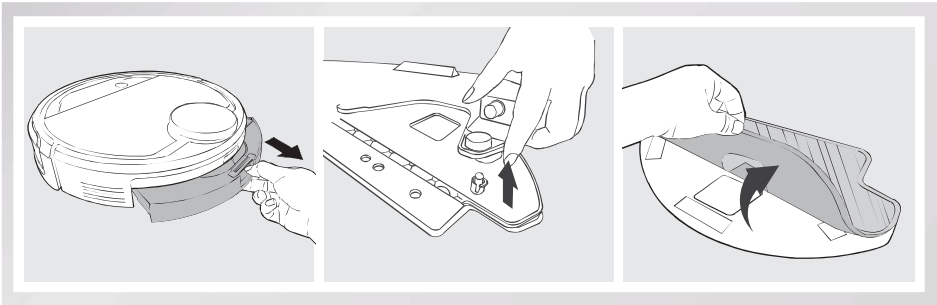
4. Maintenance

Before performing cleaning and maintenance on DEEBOT, power OFF the robot and unplug the Docking Station.

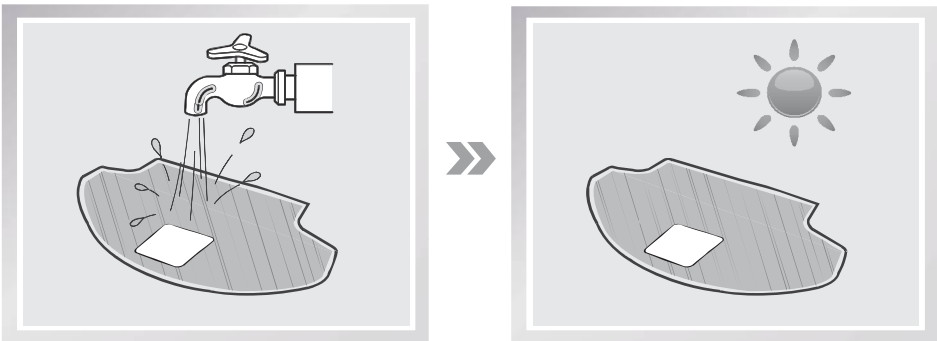
4.1 OZMO Mopping System

After DEEBOT finishes mopping, remove the Reservoir from DEEBOT, and maintain the Reservoir, the Cleaning Cloth and the Cleaning Cloth Plate immediately.

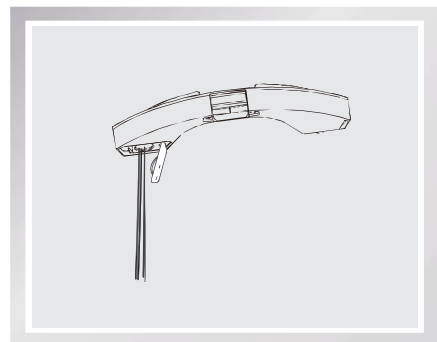
Press the Release Button and pull to remove the Reservoir. Remove the Cleaning Cloth Plate and the Cleaning Cloth.



Wash the Cleaning Cloth and lay flat to dry.

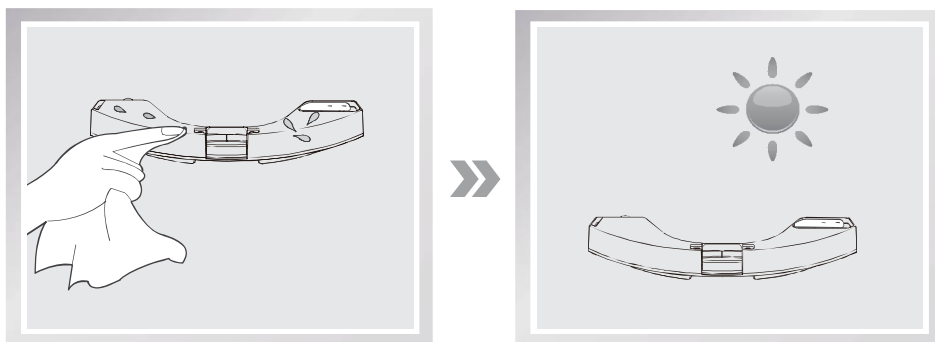


Empty any remaining water from the Reservoir.



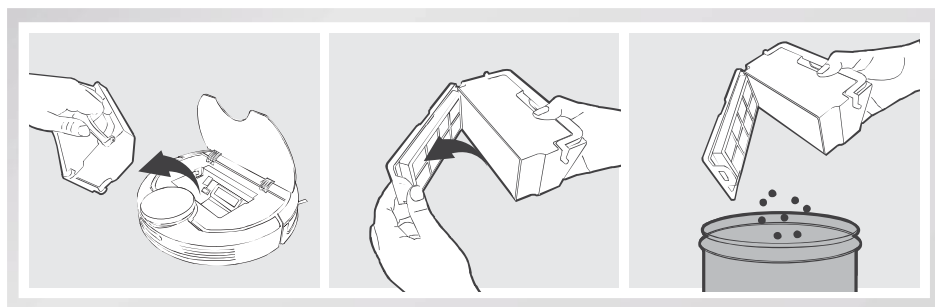
4. Maintenance

Wipe the outside of the Reservoir with a dry cloth and lay flat to dry. Avoid direct sunlight.

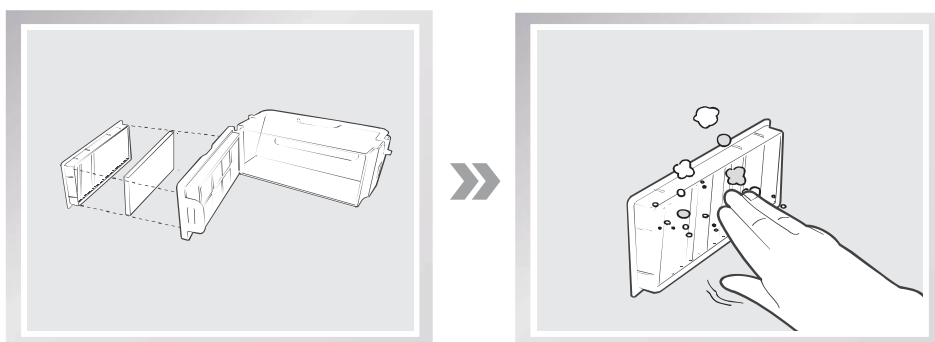


4.2 Dust Bin and Filters

Open the robot's Top Cover and remove the Dust Bin. Open the Dust Bin Lock and empty the Dust Bin.

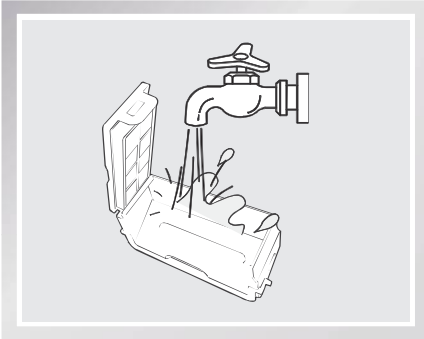


Remove the filters. Pat the High Efficiency Filter clean. Do not rinse the High Efficiency Filter under water.

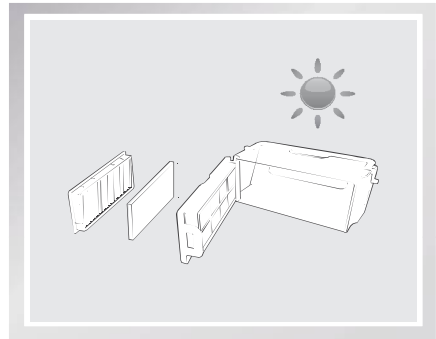


4. Maintenance

Rinse the Dust Bin and Filter Net under running water.



Dry the Dust Bin and Filter Net completely before reinstalling.

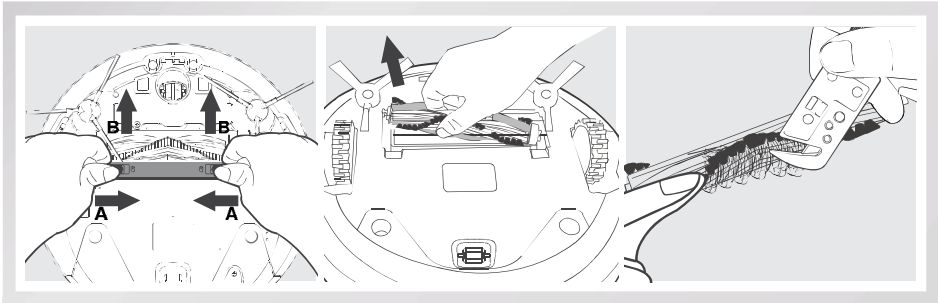


4.3 Main Brush, Direct Suction Option and Side Brushes

* A Multi-Function Cleaning Tool is provided for easy maintenance. Handle with care, this cleaning tool has sharp edges.

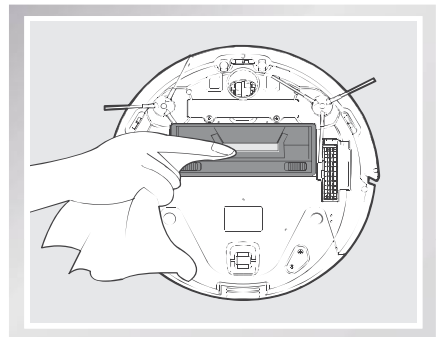
Main Brush

Turn the robot over. Push both buttons on the Main Brush Option and remove the Main Brush cover. Remove the Main Brush. Use the Multi-Function Cleaning Tool to cut off and remove any hair tangled around the Main Brush. Clean any tangled hair or debris from the Main Brush.



Direct Suction Option

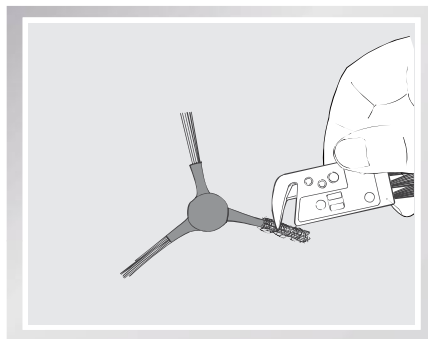
Wipe the Direct Suction Option clean with a dry cloth.



4. Maintenance

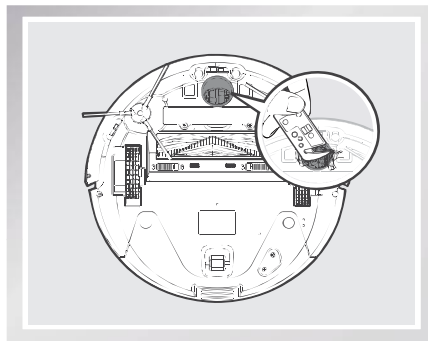
Side Brushes

Remove the Side Brushes. Remove any hair or debris tangled around the Side Brushes with the provided Multi-Function Cleaning Tool, and wipe their slots with a clean cloth.

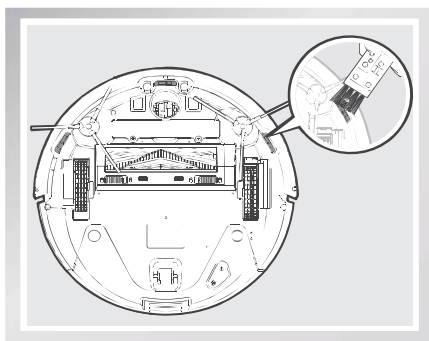


4.4 Other Components

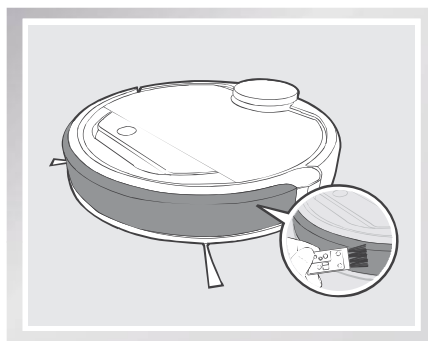
Use the Multi-Function Cleaning Tool to cut off and remove any hair tangled around the Universal Wheel.



Wipe the Anti-Drop Sensors with the brush of the Multi-Function Cleaning Tool to maintain their effectiveness.



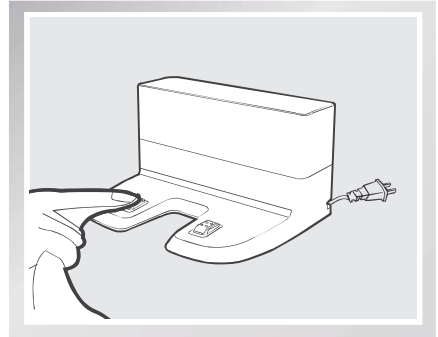
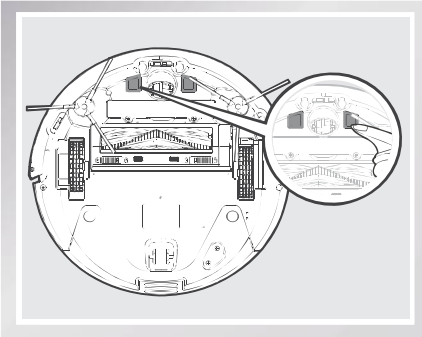
Wipe the Bumper with the brush of the Multi-Function Cleaning Tool.



4. Maintenance

* Before cleaning the robot's Charging Contacts and Docking Station Pins, power OFF the robot and unplug the Charging Dock.

Wipe the robot's Charging Contacts and Docking Station Pins with a dry cloth to maintain their effectiveness.



4. Maintenance

4.5 Regular Maintenance

To keep DEEBOT running at peak performance, perform the maintenance and replacement according to the following frequency. A multi-Function Cleaning Tool is provided for easy maintenance. Handle with care, this cleaning tool has sharp edges.

Robot Part	Maintenance Frequency	Replacement Frequency
Cleaning Cloth	After each use	Every 50 washings
Dust Bin/Reservoir/Cleaning Cloth Plate	After each use	/
Side brush	Once every 2 weeks	Every 3-6 months
Main Brush	Once per week	Every 6-12 months
Sponge Filter/ High Efficiency Filter	Once per week (twice per week with pets in home)	Every 4-6 months
Universal Wheel Anti-Drop Sensors Bumper Charging Contacts Docking Station Pins	Once per week	/

Note: ECOVACS manufactures various replacement parts and assemblies. Please contact Customer Service for more information on replacement parts.

5. Troubleshooting

No.	Malfunction	Possible Causes	Solutions
1	DEEBOT will not charge.	DEEBOT is not powered ON.	Power ON DEEBOT.
		DEEBOT has not made a connection with the Docking Station.	Be sure that the robot's Charging Contacts have made a connection with the Docking Station Pins. You may move the robot manually to make the connection if necessary.
		Docking Station is unplugged while DEEBOT is powered ON, which causes battery consumption.	Plug in the Docking Station and ensure DEEBOT is powered ON. Keep DEEBOT on the Docking Station to make sure it has a full battery to work at any time.
		The battery is completely discharged.	Re-activate the battery. Power ON. Place DEEBOT on the Docking Station by hand, remove after charging for 3 minutes, repeat 3 times; then charge normally.
2	DEEBOT cannot return to the Docking Station.	The Docking Station is not placed properly.	Refer to section 3.2 to place the Docking Station properly.
3	DEEBOT gets into trouble while working and stops.	DEEBOT is tangled with something on the floor (electrical cords, drooping curtains, carpet fringe etc.).	DEEBOT will try various ways to get itself out of trouble. If it is unsuccessful, manually remove the obstacles and restart.
4	DEEBOT returns to the Docking Station before it finishes cleaning.	When battery power gets low, DEEBOT automatically switches to Return to Charger Mode and returns to the Docking Station to recharge itself.	This is normal. No solution necessary.
		Working time varies according to floor surface, room complexity and the selected Cleaning Mode.	This is normal. No solution necessary.
5	DEEBOT will not clean automatically at scheduled time.	Intelligent Scheduling or Time Scheduling function is cancelled.	Please refer to section 3.4 for details.
		Continued Cleaning function is turned ON. DEEBOT has just finished cleaning the scheduled cleaning area.	This is normal. No solution necessary.
		DEEBOT is powered OFF.	Power ON DEEBOT.
		The robot's battery is low.	Keep DEEBOT powered ON and on the Docking Station to make sure it has a full battery to work at any time.
		The robot's Suction Intake is blocked and/or its components are tangled with debris.	Power OFF DEEBOT, clean the Dust Bin, and invert the robot. Clean the robot's Suction Intake, Side Brushes and the Main Brush as described in section 4.

5. Troubleshooting

No.	Malfunction	Possible Causes	Solutions
6	DEEBOT misses cleaning area.	The cleaning area needs tidying up.	Please remove small objects from the floor, and tidy up the cleaning area before DEEBOT starts cleaning.
7	The water is not coming out of the Reservoir when DEEBOT is mopping.	The Magnet on the Cleaning Cloth Plate comes off.	Please contact Customer Service.
		The Reservoir runs out of water.	Add water into the Reservoir.
		The water outlets on the bottom of DEEBOT are clogged.	Check the water outlets on the bottom and clean.
8	DEEBOT is not able to connect to home Wi-Fi network.	Incorrect home Wi-Fi username or password entered.	Enter the correct home Wi-Fi username and password.
		DEEBOT is not within range of your home Wi-Fi signal.	Make sure DEEBOT is within range of your home Wi-Fi signal.
		Network setup started before DEEBOT was ready.	Turn ON Power Switch. Press the RESET Button using a needle for 3 seconds. DEEBOT is ready for network setup when DEEBOT plays a musical tune and its Wi-Fi Indicator light flashes slowly.
		Your smartphone's operating system needs to be updated.	Update your smartphone's operating system. The ECOVACS App runs on iOS 9.0 and above, Android 4.0 and above.

EU-Declaration of conformity

Document number: 0018

Manufacturer: Ecovacs Robotics Co., Ltd.

Address: No.18, Youxiang Road, Wuzhong District, Suzhou City, Jiangsu Province, China.

We hereby declare that the following products listed below are in accordance with the provisions in the latest version of EC in this document.


Product designation: Automatic battery-operated cleaner
Brand: 
Model: DG3G, DG3G.**(≠0-9)(the first * denote different colours, the second * denote different accessories.)
Specification: Electrical appliances for household and similar purposes

EC Regulations or Directives:

RED	Directive 2014/53/EU
RoHS	Directive 2011/65/EU
WEEE	Directive 2002/96/EC
REACH	Directive 1907/2006/EC
Eco-design	Directive 2009/125/EC

Standards the product is in conformity with:

EN 60335-2-2:2010 + A11:2012 + A1:2013
EN 60335-1:2012+A11:2014+AC:2014
EN 61558-1:2005 + A1:2009
EN 61558-2-16:2009 + A1:2013
EN 62233:2008
EN 55014-1:2006+A1:2009+A2:2011
EN 55014-2:2015
EN 61000-3-2:2014
EN 61000-3-3:2013
EN 300 328 V2.1.1
EN 301 489-1 V2.1.1
EN 301 489-17 V3.1.1
EN 62311:2008
IEC62321:2008
EN 50564: 2011

Signature: 
General Manager: Zhuang Jianhua
Date: 2017-9-25



Ecovacs Robotics Co., Ltd

No. 18 You Xiang Road, Wuzhong District,
Suzhou City, Jiangsu Province, P.R.China

DEEBOT R97-EU01-IM2017R03