







### USER'S MANUAL

#### INTRODUCTION

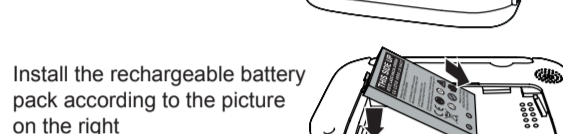
The Alecto DVM-143 is a wireless audio/video observation system, suitable for private use indoors.

You can either watch and listen continuously or you can have the baby monitor switch on

**ATTENTION**  
Before you start using the set, please remove any protective foil from the parent unit and baby unit.

#### INSTALLATION

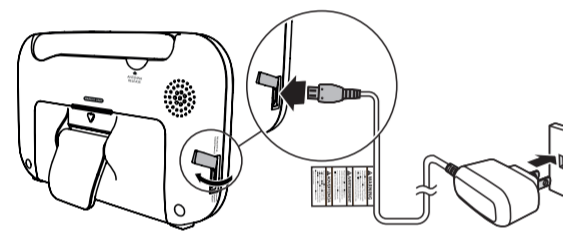
**Parent unit:**



Slide the rear casing back onto the parent unit



Finally, connect the power adaptor with the flat plug to the parent unit and insert the adaptor into a 230V wall socket.



#### DISPLAY ICONS:

During use, the following icons can appear in the display.

- connection indicator:
  - good connection between baby unit and parent unit
  - reasonable or poor connection
  - connection interrupted

illuminates when the SCAN function is enabled (only applicable when using multiple baby units)

illuminates when the infrared LEDs of the camera are switched on (these turn on automatically when it's getting dark near the camera)

illuminates when the zoom mode is enabled

illuminates when the alert tone of the temperature alarm is enabled

illuminates when the volume level is set to 0 (sound off)

visual sound indication:  
 little or no sound in the baby room  
 soft to moderate sound in the baby room  
 loud sound in the baby room

indication of the set speaker volume

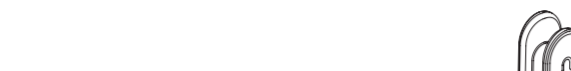
battery indication:  
 battery is full  
 battery is nearly empty  
 battery is charging

illuminates when there's no battery installed; the parent unit is now fully powered by the adaptor

Now please let the battery pack charge for at least 24 hours CONTINUOUSLY.

**Baby unit:**

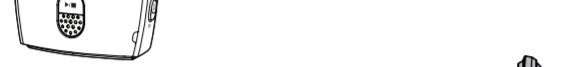
Connect the power adaptor with the round plug to the bottom of the baby unit according to the below picture



a mounting bracket is included for fixing the baby unit onto a wall



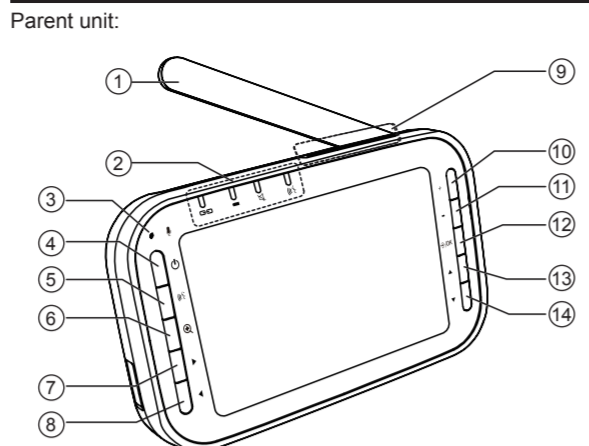
the camera lens can be oriented



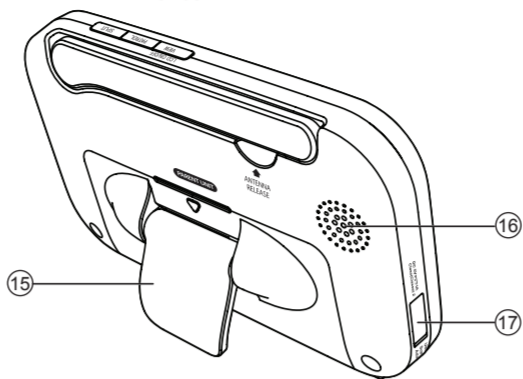
maintain a distance of at least 1 meter between the baby unit and the baby



#### FUNCTION OVERVIEW

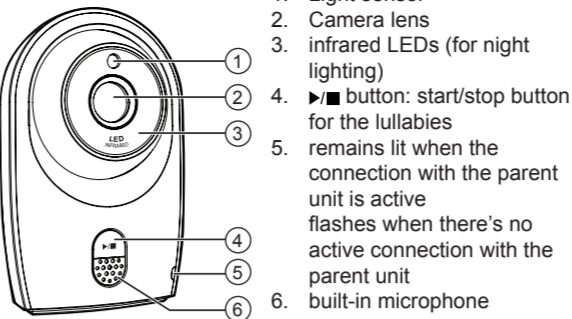


- antenna
- indicator: flip it upward for optimum range remains lit while the parent unit is connected with the baby unit flashes when the connection with the baby unit is interrupted
- indicator: remains lit while the adaptor is connected and the battery pack is being charged or maintained flashes when the battery pack is nearly empty and must be charged switched off when the adaptor is disconnected and the battery pack's remaining capacity is still sufficient
- indicator: illuminates when the speaker volume is set to 0 (no sound)
- indicator: illuminates when the talk-back function is activated
- built-in microphone
- button: press and hold for 2 seconds to switch the parent unit on or off
- button: press and hold to talk back to the baby press to zoom in (to get the display somewhat closer); now use the and buttons to move the image to the left, to the right, down or up
- button: various functions, please see this user manual
- button: press and hold to turn off the display, briefly press to view the image of the next camera (functional only when multiple cameras are registered)
- button: briefly press to play the next lullaby
- button: to start or stop playback of the lullabies
- button: to increase the volume
- button: to decrease the volume
- button: to open the menu and to confirm selections various functions, please see this user manual
- button: various functions, please see this user manual

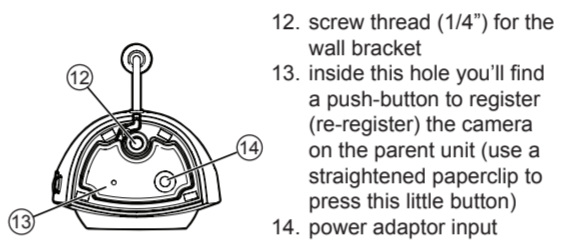
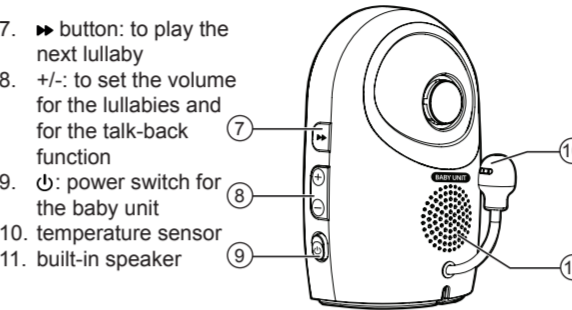


- support
- built-in speaker
- power adaptor input

**Baby unit:**



- Light sensor
- Camera lens
- infrared LEDs (for night lighting)
- button: start/stop button for the lullabies
- remains lit when the connection with the parent unit is active flashes when there's no active connection with the parent unit
- built-in microphone



- button: to play the next lullaby
- +/-: to set the volume for the lullabies and for the talk-back function
- button: power switch for the baby unit
- temperature sensor
- built-in speaker

- screw thread (1/4") for the wall bracket
- inside this hole you'll find a push-button to register (re-register) the camera on the parent unit (use a straightened paperclip to press this little button)
- power adaptor input

#### MULTI-CAMERA

**INTRODUCTION:**  
You can register up to a maximum of 4 baby units (cameras) on the DVM-143 parent unit. Separate cameras are available via the service department of Alecto via 073 6411 355 (Netherlands), 03 238 5666 (Belgium) or via internet [www.alecto.nl](http://www.alecto.nl)  
Fixed camera: DVM-1431  
Pan/tilt camera: DVM-2001

**REGISTERING ADDITIONAL CAMERAS:**  
First remove the new camera from its packaging, then connect the supplied power adaptor, insert it into a wall socket and slide the ON/OFF switch of the camera to the 'ON' position.  
Keep a straightened paperclip handy; you'll need it in a moment to press the little push-button in the bottom of the camera.

- Now take the parent unit to pair the new camera
- open the setup menu
  - select the option 'Pair/Unpair CAM'
  - open this item
  - select 'Pair CAM'
  - confirm your choice
  - select an available camera number
  - confirm the instruction

Now take the straightened paperclip and use it to press the small button in the bottom of the camera. Keep this button depressed for several seconds until the power indicator on the additional camera starts flashing rapidly.

After several seconds the image of the new camera will appear in the display of the parent unit. The additional camera is now registered and is ready for use.

**OPERATION:**  
Upon switching on the parent unit, the image of only one camera will be shown. Repeatedly press the i button on top of the parent unit for the following:

- the images of the next paired camera will be displayed while in the upper left corner the camera number is indicated)
- the images of all paired cameras are displayed simultaneously ('split-view')
- the images are automatically displayed one after the other ('scan mode')

**When using 'split-view':**  
- The sound is disabled, there's no sound in split-view.  
- As soon as one of the cameras is detecting sound, you'll be notified of this in the upper part of the screen. You can also include an alert tone, for this please see the item 'Alert tone' in the chapter 'To personalise'.

#### OPERATION

**TO SWITCH ON/OFF:**  
**Parent unit:**  
Briefly press and hold the button to switch on the parent unit.  
Briefly press and hold the button again to switch off the parent unit.

**Baby unit:**  
Slide the switch at the right side upward to switch on the baby unit.  
Slide this switch downward to switch off the baby unit.

**VOLUME:**  
**Parent unit**  
Repeatedly press the + button to increase the reception volume and repeatedly press the - button to decrease the reception volume.  
You can choose from 7 volume levels and volume-off.  
During setup, the display will show the current level.  
The light at the symbol will illuminate when you set the volume to 0 while the appears in the display.  
Upon reaching the minimum or maximum level, a double beep tone will indicate that the sound cannot be any louder or softer.

**Baby unit**  
On the baby unit, use the + and - buttons to increase or decrease the playback volume of the lullabies or the volume of the talk-back volume.  
You can choose from 5 volume levels and volume-off.  
Upon reaching the minimum or maximum level, a double beep tone will indicate that the sound cannot be any louder or softer.

**TO TALK BACK:**  
Press the button to talk back to the baby unit (press and hold this button while talking). The indicator remains lit while using the talk-back function.  
You can use the + and - buttons at the baby unit's side to adjust the volume.  
Attention: when the volume on the parent unit is set to 0 (off) and you press the button, the volume of the parent unit will be automatically returned to level 1 allowing you to hear the reaction of the baby.

**ZOOM: (GETTING THE IMAGE CLOSER)**  
Briefly press the button to zoom in.  
Use the and buttons to move the image to the left, to the right, down or up.  
Briefly press the button again to zoom out.

#### SPECIFICATIONS

Range: up to 50 meters indoors  
up to 300 meters outdoors  
Parent unit power: 3.7V Lithium Polymer battery model BL198555/BT298555  
5VDC 100mA power adapter (incl.), 6VDC 100mA power adapter (incl.), S006MV0600100.  
Baby unit power: 2.4GHz, digital frequency hopping (FHSS), 24 channels, auto hopping  
model: WQVGA 480x272 pixel  
Frequency: 4.3" TFT LCD display  
Display: Recharging time parent unit battery: ~ 6 hours\*  
Life-span parent unit battery: 6~7 hours\*  
Temperature sensor range: 0°C - 50°C  
Accuracy: ± 2°C (at 25°C)

\*: the times mentioned above are references only and depend on the usage, condition and quality of the batteries.

The Alecto DVM-143 meets all essential requirements and other provisions as described in the European Directive 1999/5/EC.

The declaration of conformity is available on the website [www.alecto.nl](http://www.alecto.nl)

Use of this equipment is allowed in all countries of the EU. In France, Italy, Russia and Ukraine, only indoor use is allowed.

#### DISPLAY ON/OFF:

Briefly press and hold the button to switch off the display (the sound will remain).  
Briefly press a random button on the parent unit to switch the display back on.  
This function works separate from the function for having the display and sound turn off automatically when the baby is sleeping. For this, please see the item 'Sound-activated Screen' further in this user manual.

**LULLABIES:**  
Briefly press the button on the baby unit or parent unit to start playback of the lullabies.  
During playback, press the button (baby unit) or button (parent unit) to select the next lullaby; you can choose from 5 lullabies and 4 nature sounds; the selected song will be played repeatedly.  
After 10 minutes, playback of the lullabies will stop automatically, or you can briefly press the button to stop playback beforehand.  
You can use the + and - buttons at the side of the baby unit to adjust the volume.  
See the item 'Lullaby' in the chapter 'To personalise' to play all songs and sounds automatically one after the other.  
Remark: when pressing the button on the baby unit while the volume on the parent unit is enabled, pressing this button can be heard through the speaker of the parent unit. This is not a defect, but happens because the microphone of the baby unit is located next to this button.

**AUTOMATIC NIGHT VISION:**  
The baby unit is provided with built-in 6 infra-red LEDs; these LEDs will switch on automatically when the baby room turns dark and will switch off again when it becomes light. The LEDs can illuminate objects up to a distance of approximately 2 meters. When it's dark, that is when the night vision LEDs are switched on, the images on the parent unit will be displayed in black and white.  
Attention: infra-red light cannot be perceived by the human eye; that means you cannot tell whether the infra-red LEDs are switched on with the naked eye.

**TEMPERATURE IN THE BABY ROOM:**  
The upper middle part of the display shows the temperature of the space in which the baby unit is placed.  
Refer to the next chapter to assign a minimum or maximum limit to this temperature display with an alarm.  
Please keep in mind that the temperature is only indicative and you must consider a possible deviation of +/- 2 degrees.

#### TIPS & REMARKS

**INTERFERENCE-FREE:**  
This baby display monitor is digitally coded. This means you will never receive signals from other devices, nor can the signal from your baby unit(s) be received by e.g. your neighbors.  
In case the baby unit(s) or parent unit is placed in or in the close vicinity of electromagnetic fields, the signal (images or sound) can be slightly affected. If this happens, try a different location for the baby unit(s) or parent unit or move, if possible, the source of the interference.

**EAVESDROPPING/WIRETAPPING:**  
Eavesdropping/wiretapping of the signals from this baby video monitor is nearly impossible. Not only must one be within range of the baby video monitor, one also needs some very costly equipment.

**MAINTENANCE:**  
Only clean the baby monitor with a moist cloth; never use chemical cleaners. Before any cleaning, you must disconnect the adaptors.

**RANGE:**  
The baby display monitor has a range of up to 300 meters in an open field and up to 50 meters indoors; this range depends on local circumstances.

**DELAY IN IMAGES AND SOUND:**  
The baby unit transmits the images and sound to the parent unit in digital blocks. The parent unit converts these signals back to a recognizable image and a comprehensible sound. Therefore, there is a small delay between the moment of movement and making sounds and the display and sounds of the parent unit.  
Besides that, the sounds and images on the parent unit are not exactly simultaneous.