

# RIG 500 PRO Series

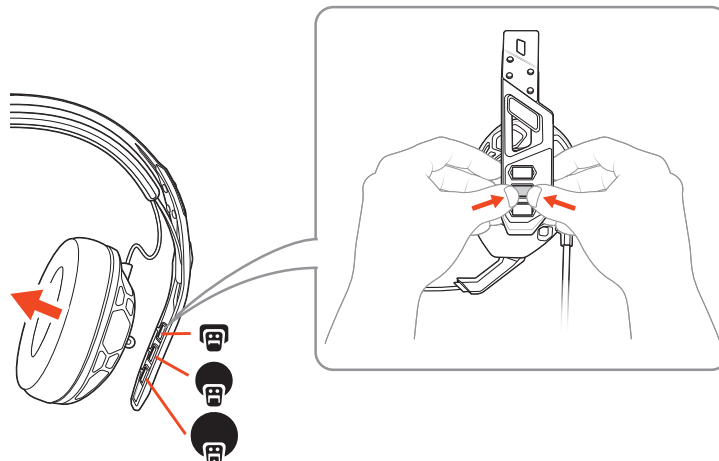
User Guide

# Contents

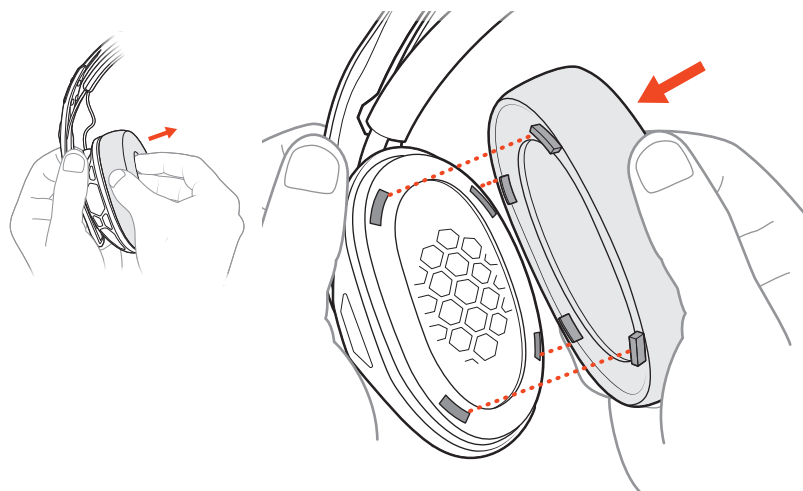
Setup and basics	3
Fit	3
Set up your headset	3
Adjust the volume	4
System volume	5
Mute	5
Support	6

# Setup and basics

- Fit** 1 The headband adjusts to three sizes (small, medium, large) by moving the earcups. To remove an earcup, press the earcup to detach it from the headband.



- 2 To change your ear cushions, gently pull the ear cushion off. To replace it, align the notches.

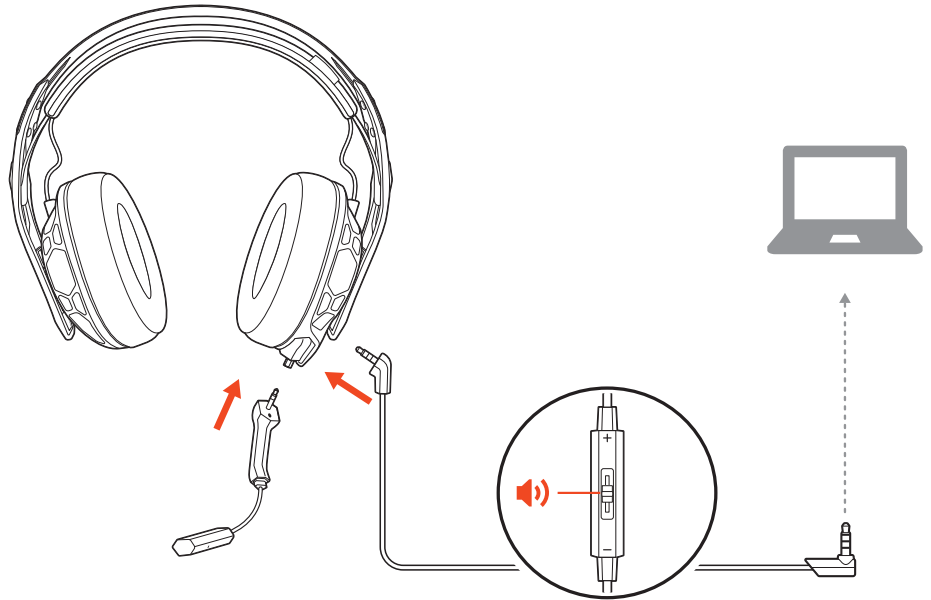


## Set up your headset

Your headset components easily snap into the headset frame to configure the best fit and sound.

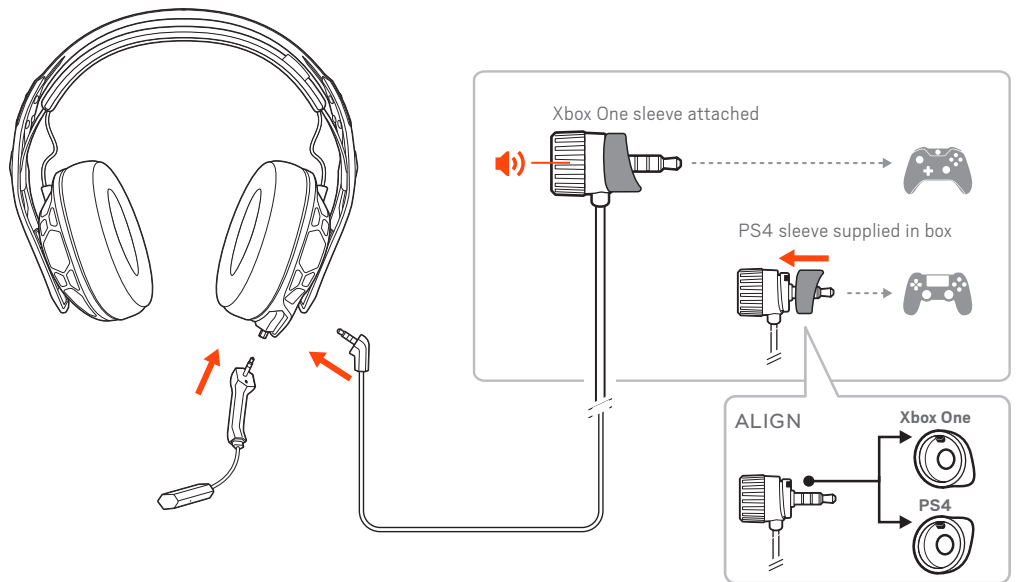
Follow the diagram to put your headset together.

**Connect to PC RIG 500 PRO, RIG 500 PRO ESPORTS**



**Connect to console** RIG 500 PRO ESPORTS, RIG 500 PRO HC, RIG 500 PRO HX/HX SE

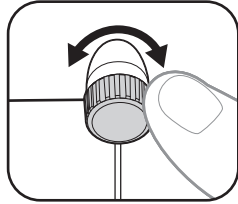
Out of the box, the volume wheel has the Xbox One sleeve attached and the PS4 sleeve is supplied (the RIG 500 PRO HS/HS SE models have the PS4 sleeve attached and the Xbox One sleeve is supplied). Align notches on the appropriate sleeve and volume wheel before attaching to your controller.



**Adjust the volume**

To adjust your headset volume, turn the volume wheel.

**NOTE** If your controller has a volume feature, you can lock the volume wheel at maximum by turning it fully to the right.

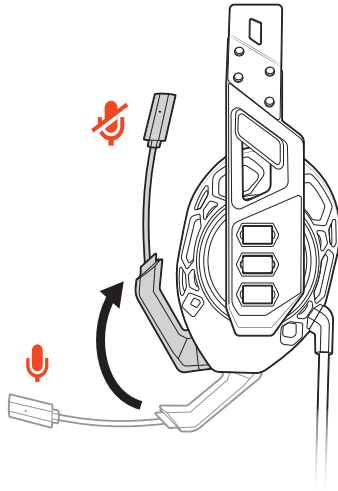


**System volume**

To adjust system volume, check your console's user guide.

**Mute**

Lift the boom to a full stop to mute the microphone.



**CAUTION** Do not force the boom past its upper or lower limits.

# Support

## NEED MORE HELP?

[plantronics.com/support](https://plantronics.com/support)

**Plantronics, Inc.**

345 Encinal Street

Santa Cruz, CA 95060

United States

**Plantronics B.V.**

Scorpius 171

2132 LR Hoofddorp

Netherlands

© 2018 Plantronics, Inc. All trademarks are the property of their respective owners.

Patents pending.

213538-06 (08.18)