

# Canon EF LENS

## EF16-35mm f/2.8L III USM



 **ULTRASONIC**

ENG

Instructions

**Thank you for purchasing a Canon product.**

**Canon's EF16-35mm f/2.8L III USM is a super-wide-angle zoom lens for use with EOS cameras.**

- "USM" stands for Ultrasonic Motor.

### **Camera Firmware**

- When using this lens, please check the Canon website for the latest camera firmware. If the camera's firmware is not the latest version, be sure to update to the latest firmware.
- For details on updating firmware, please check the Canon website.

### **Conventions used in this instruction**




Warning to prevent lens or camera malfunction or damage.




Supplementary notes on using the lens and taking pictures.

# Safety Precautions

Precautions to ensure that the camera is used safely. Read these precautions thoroughly. Make sure all details are observed in order to prevent risks and injury to the user and other people.

 **Warning** Details pertaining to risks that may result in death or serious injury.

- **Do not look at the sun or a bright light source through the lens or single-lens reflex camera.** Doing so could result in loss of vision. Looking at the sun directly through the lens is especially hazardous.
- **Whether it is attached to the camera or not, do not leave the lens under the sun without the lens cap attached.** This is to prevent the lens from concentrating the sun's rays, which could cause a fire.

 **Caution** Details pertaining to risks that may result in injury.

- **Do not leave the camera in locations subject to high or low temperatures.** This may result in the camera becoming excessively hot or cold, which may cause burns or other injuries when touched.
- **Do not insert your fingers inside the camera.** Failure to observe this may result in injury.

**Caution** Details pertaining to risks that may result in damage to property.

- Do not leave the lens in excessive heat such as in a car in direct sunlight. High temperatures can cause the lens to malfunction.

# General Precautions

## Handling Precautions

- If the lens is taken from a cold environment into a warm one, condensation may develop on the lens surface and internal parts. To prevent condensation in this case, first put the lens into an airtight plastic bag before taking it from a cold to warm environment. Then take out the lens after it has warmed gradually. Do the same when taking the lens from a warm environment into a cold one.
- Please also read any lens related handling precautions listed in your camera's instruction manual.

This device complies with Part 15 of the FCC Rules.

Operation is subject to the following two conditions: (1) This device may not cause harmful interference, and (2) this device must accept any interference received, including interference that may cause undesired operation.

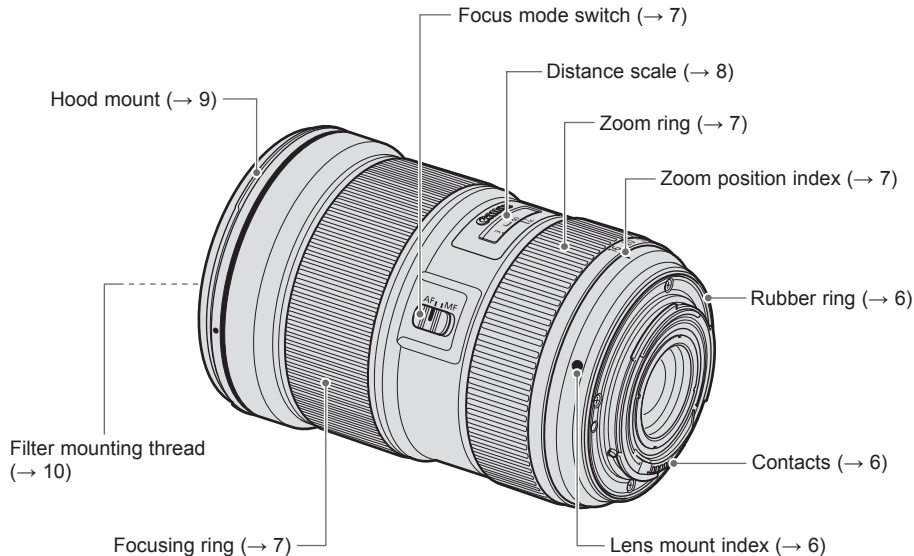
Do not make any changes or modifications to the equipment unless otherwise specified in the instructions. If such changes or modifications should be made, you could be required to stop operation of the equipment.

This equipment has been tested and found to comply with the limits for a class B digital device, pursuant to part 15 of the FCC Rules. These limits are designed to provide reasonable protection against harmful interference in a residential installation. This equipment generates, uses and can radiate radio frequency energy and, if not installed and used in accordance with the instructions, may cause harmful interference to radio communications.

However, there is no guarantee that interference will not occur in a particular installation. If this equipment does cause harmful interference to radio or television reception, which can be determined by turning the equipment off and on, the user is encouraged to try to correct the interference by one or more of the following measures:

- Reorient or relocate the receiving antenna.
- Increase the separation between the equipment and receiver.
- Connect the equipment into an outlet on a circuit different from that to which the receiver is connected.
- Consult the dealer or an experienced radio/TV technician for help.

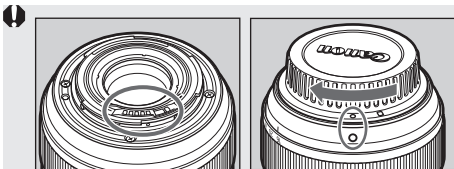
# Nomenclature



● For detailed information, reference page numbers are provided in parentheses (→ \*\*).

# 1. Mounting and Detaching the Lens

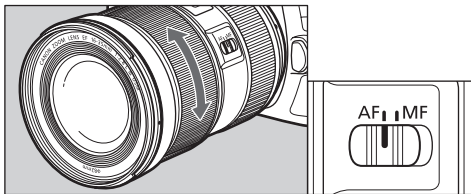
See your camera's instructions for details on mounting and detaching the lens.



- After detaching the lens, place the lens with the rear end up to prevent the lens surface and contacts from getting scratched.
- If the contacts get soiled, scratched, or have fingerprints on them, corrosion or faulty connections can result. The camera and lens may not operate properly.
- If the contacts get soiled or have fingerprints on them, clean them with a soft cloth.
- Attach the lens cap and dust cap when disconnecting the lens. When attaching the dust cap, align the lens mount index with the ○ index of the dust cap and rotate in a clockwise direction as shown in the illustration. Follow the reverse procedure to detach it.

ⓘ The lens mount has a rubber ring for enhanced dust- and water-resistance. The rubber ring may cause slight abrasions around the camera's lens mount, but this will not cause any problems. If the rubber ring becomes worn, it is replaceable by a Canon Service Center at a cost.


## 2. Setting the Focus Mode



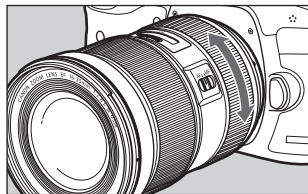
To shoot in autofocus (AF) mode, set the focus mode switch to AF.

To use only manual focusing (MF), set the focus mode switch to MF, and focus by turning the focusing ring.


The focusing ring always works, regardless of the focus mode.

 After autofocus in the AF mode or AF operation in the ONE SHOT AF mode, focus manually by pressing the shutter button halfway and turning the focusing ring (Full-time manual focus).

## 3. Zooming

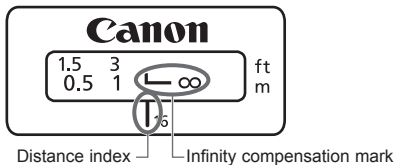


To zoom, turn the lens' zoom ring.

 Be sure to finish zooming before focusing. Zooming after focusing can affect the focus.



## 4. Infinity Compensation Mark

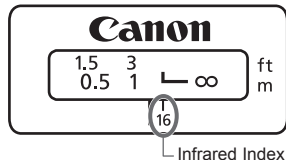


To compensate for shifting of the infinity focus point that results from changes in temperature, there is a margin at the infinity ( $\infty$ ) position. The infinity position at normal temperature is the point at which the vertical line of the distance scale L mark is aligned with the distance index.

ⓘ For accurate manual focusing of subjects at infinity, look through the viewfinder or look at the magnified image\* on the LCD screen while rotating the focusing ring.

\* For cameras with Live View shooting capability.

## 5. Infrared Index



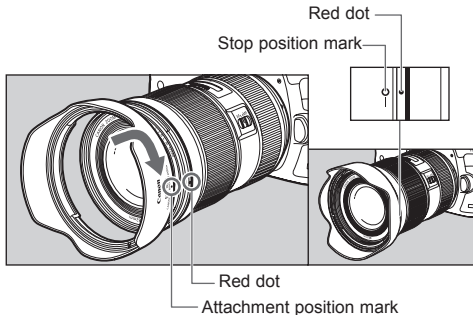
The infrared index corrects the focus setting when using monochrome infrared film. Focus on the subject manually, then adjust the distance scale indicated by the distance index by moving the focusing ring to the corresponding infrared index mark before shooting.

ⓘ Some EOS cameras cannot use infrared film. See the instructions for your EOS camera.

- The infrared index position is based on a wavelength of 800 nm.
- The compensation amount differs depending on the focal length (large at the wide end, small at the telephoto end). Use the 16 (mm) infrared index position as a guide when setting the compensation amount manually.
- Be sure to observe the manufacturer's instructions when using infrared film.
- Use a red filter when you take the picture.

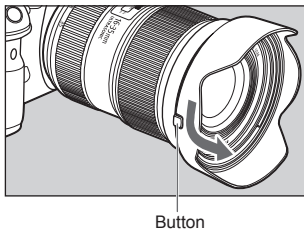
## 6. Hood

The EW-88D hood cuts out unwanted light and protects the front of the lens from rain, snow, and dust.



### ● Attaching

Align the red attachment position mark on the hood with the red dot on the front of the lens, and then rotate the hood in the direction of the arrow until it is firmly attached with the red dot and stop position mark on the hood aligned.



### ● Removing

Keep your finger pressed down on the button located on the side of the hood, and then rotate the hood in the direction of the arrow until the attachment position mark on the hood is aligned with the red dot on the front of the lens to detach it. The hood can be reverse-mounted on the lens for storage.



- If the hood is not attached properly, vignetting (darkening of the perimeter of the picture) may occur.
- Grasp and rotate the base of the hood when attaching and detaching it. There are cases in which it may become deformed if the hood is rotated with it grasped near to the rim.

## 7. Filters (sold separately)

You can attach filters to the filter mounting thread on the front of the lens.

- Attach the Canon PROTECT filter (82 mm) to get the best performance from the camera's dust- and water-resistance.
- Only one filter may be attached.
- If you need a polarizing filter, use the Canon Circular Polarizing Filter PL-C B (82 mm).
- Detach the hood when adjusting the polarizing filter.

## 8. Extension Tubes (sold separately)

You can attach extension tube EF12 II or EF25 II for magnified shots. The shooting distance and magnification are shown below.

		Focusing Distance Range (mm)		Magnification (×)	
		Close distance	Long distance	Close distance	Long distance
EF12 II	16mm	Incompatible			
	35mm	219	265	0.65	0.36
EF25 II	16mm	Incompatible			
	35mm	214	229	1.14	0.80



MF mode is recommended for accurate focusing.

# Specifications

<b>Focal Length/Aperture</b>	16-35mm f/2.8
<b>Lens Construction</b>	11 groups, 16 elements
<b>Minimum Aperture</b>	f/22
<b>Angle of View</b>	Diagonal: 108°10' - 63°, Vertical: 74°10' - 38°, Horizontal: 98° - 54°
<b>Min. Focusing Distance</b>	0.28 m/0.92 ft.
<b>Max. Magnification</b>	0.25x (at 35 mm)
<b>Field of View</b>	Approx. 196 x 295 - 96 x 143 mm/7.72 x 11.61 - 3.78 x 5.63 inch (at 0.28 m/0.92 ft.)
<b>Filter Diameter</b>	82 mm
<b>Max. Diameter and Length</b>	88.5 x 127.5 mm/3.48 x 5.02 inch
<b>Weight</b>	Approx. 790 g/27.9 oz
<b>Hood</b>	EW-88D
<b>Lens Cap</b>	E-82 II
<b>Case</b>	LP1222

- The lens length is measured from the mount surface to the front end of the lens. Add 24.0 mm when including the lens cap and dust cap.
- The size and weight listed are for the lens only, except as indicated.
- Extenders cannot be used with this lens. In addition, there are no close-up lenses designed for use with this lens.
- Aperture settings are specified on the camera. The camera automatically compensates for variations in the aperture setting when the camera is zoomed in or out.
- All data listed is measured according to Canon standards.
- Product specifications and appearance are subject to change without notice.

### **Only for European Union and EEA (Norway, Iceland and Liechtenstein)**



This symbol indicates that this product is not to be disposed of with your household waste, according to the WEEE Directive (2012/19/EU) and national legislation. This product should be handed over to a designated collection point, e.g., on an authorized one-for-one basis when you buy a new similar product or to an authorized collection site for recycling waste electrical and electronic equipment (EEE). Improper handling of this type of waste could have a possible negative impact on the environment and human health due to potentially hazardous substances that are generally associated with EEE. At the same time, your

cooperation in the correct disposal of this product will contribute to the effective usage of natural resources. For more information about where you can drop off your waste equipment for recycling, please contact your local city office, waste authority, approved WEEE scheme or your household waste disposal service. For more information regarding return and recycling of WEEE products, please visit [www.canon-europe.com/weee](http://www.canon-europe.com/weee).

**Canon**