

TCORX
FITNESS IN MOTION

INSTRUCTION



SRX300

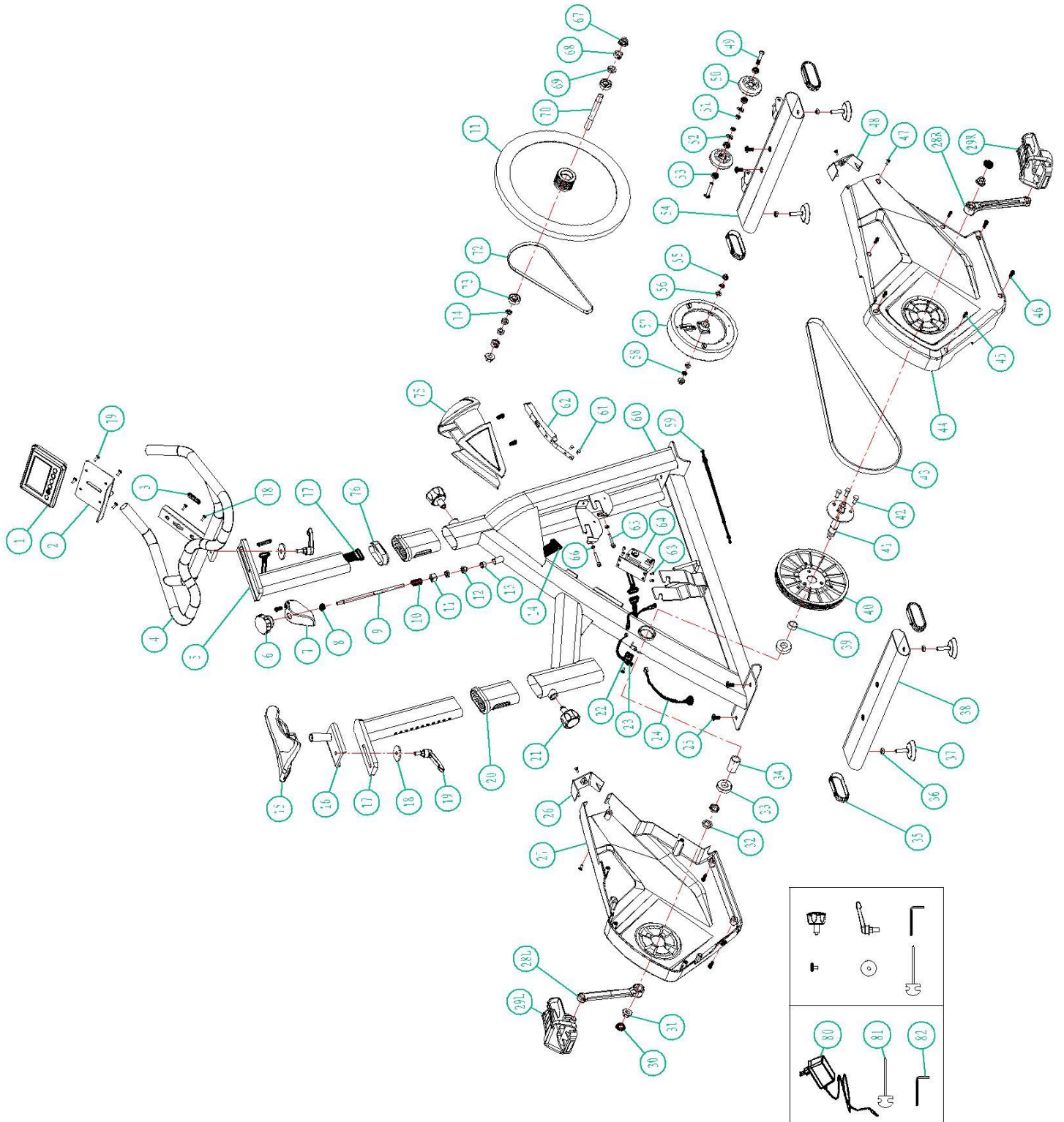


Rev : 00

Ed : 09/17



EXPLOSIVE VIEW



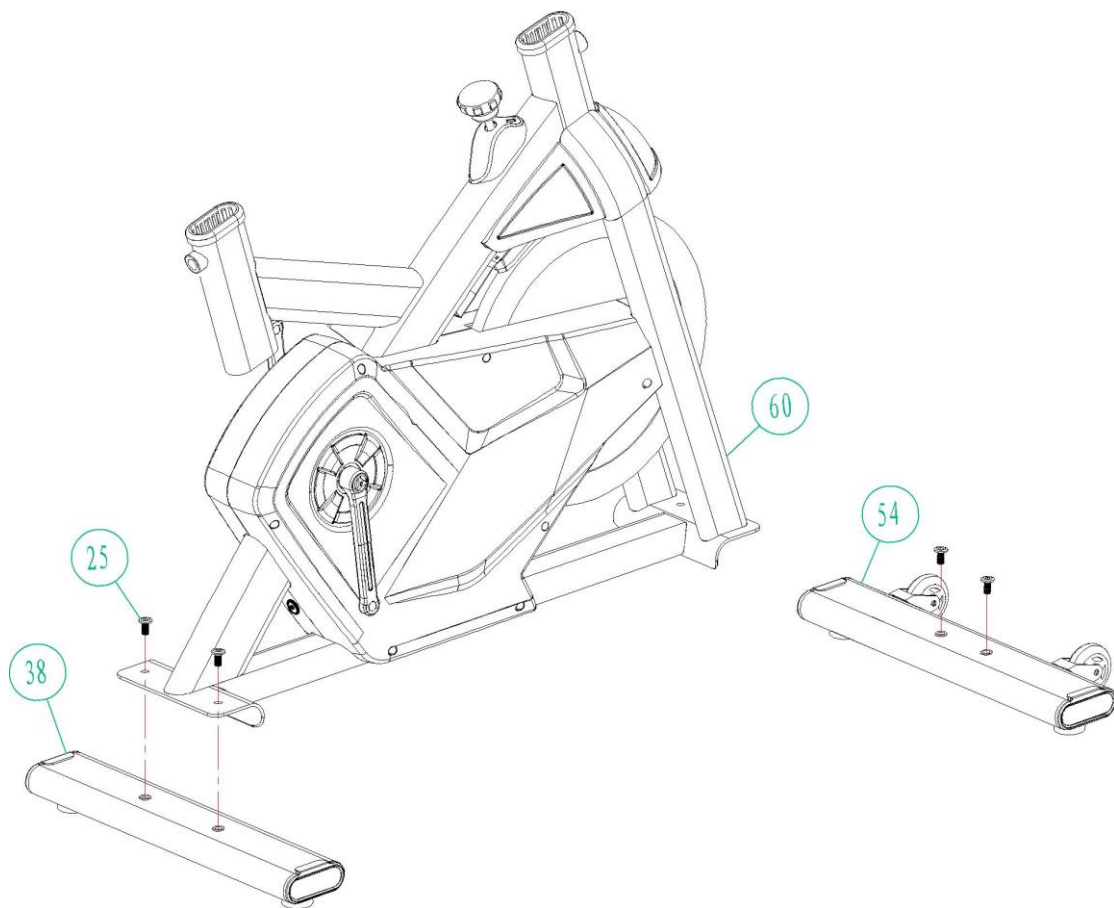
PARTS LIST

PART NO.	DESCRIPTION	QTY
1	Computer	1 PC
2	Ipad shelf	1 PC
3	Line plug	3 PCS
4	Handlebar	1 PC
5	Handlebar post	1 PC
6	Brake knob	1 PC
7	Brake trim cover	1 PC
8	Hexagon nut M8	2 PCS
9	Brake rod ϕ 10x225	1 PC
10	Spring Φ 14x Φ 1.8x31.5L	1 PC
11	Square nut	1 PC
12	Cap nut M10	1 PC
13	Brake bushing ϕ 16	1 PC
14	Bottom cable	1 PC
15	Seat	1 PC
16	Slider	1 PC
17	Seat post	1 PC
18	Washer ϕ 10.5x ϕ 38x4T	2 PCS
19	Knob M10	2 PCS
20	Tube clamp	2 PCS
21	Lock pin M16	2 PCS
22	Sensor	1 PC
23	Sensor cable	1 PC
24	Cable DC	1 PC
25	Step screw	4 PCS
26	Trim cover L	1 PC

27	Chain cover L	1 PC
28	Crank (L+R)	1 PC
29	Pedal (L+R)	1 SET
30	Crank plug	2 PCS
31	Flange nut M10	2 PCS
32	Hexagon nut	2 PCS
33	Bearing 6004	2 PCS
34	Axle pipe	1 PC
35	End cap 40x100	4 PCS
36	Hexagon nut M10	4 PCS
37	Foot pad	4 PCS
38	Rear tube	1 PC
39	Axle limit pipe	1 PC
40	Belt pulley ϕ 214 5PK	1 PC
41	Axle	1 PC
42	Hexagon screw M8x15	3 PCS
43	Belt 1340 5PK	1 PC
44	Chain Cover R	1 PC
45	Screw M4x20	6 PCS
46	Screw M4.2x19	7 PCS
47	Screw M5x12	9 PCS
48	Trim cover R	1 PC
49	Hexagon screw M8x38	2 PCS
50	Moving wheel ϕ 70	2 PCS
51	Nylon nut M8	2 PCS
52	Washer	2 PCS
53	Bearing 608	2 PCS
54	Front tube	1 PC
55	Flange nut	2 PCS

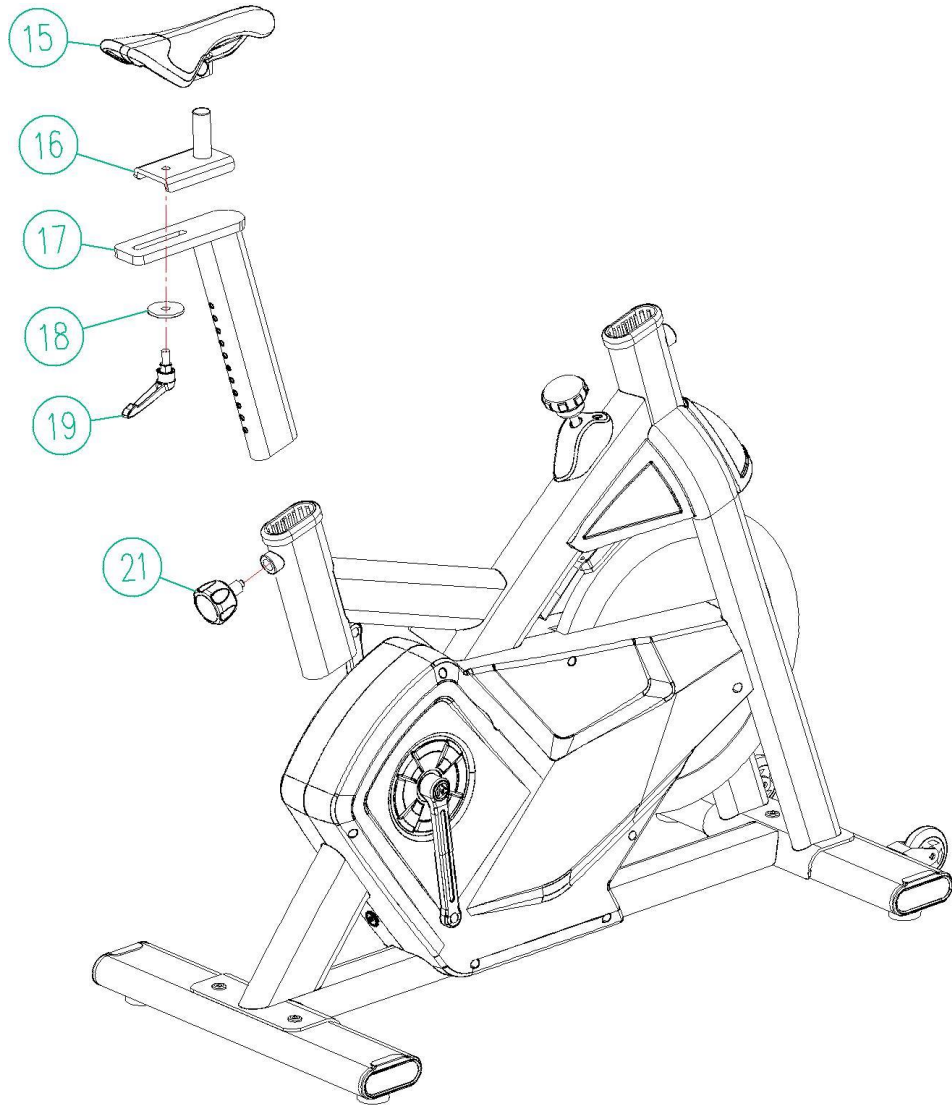
56	Hexagon nut	2 PCS
57	Magnetic flywheel	1 PC
58	Washer	2 PCS
59	Cable	1 PC
60	Main frame	1 PC
61	Hexagon screw	2 PCS
62	Brake pad	1 PC
63	Screw M5	4 PCS
64	Motor	1 PC
65	Hexagon screw M6×45	2 PCS
66	Hexagon screw M6	2 PCS
67	Flange nut	2 PCS
68	Pipe	2 PCS
69	Hexagon nut	2 PCS
70	Flywheel axle $\phi 15$	1 PC
71	Flywheel	1 PC
72	Belt 2	1 PC
73	Bearing 6202	2 PCS
74	Washer	2 PCS
75	Front cover	1 PC
76	End cap	1 PC
77	Sensor cable	1 PC
78	Screw	2 PCS
79	Screw	2 PCS
80	Power supply	1 PC
81	Harpoon wrench	1 PC
82	Hexagon wrench	1 PC

ASSEMBLY INSTRUCTION



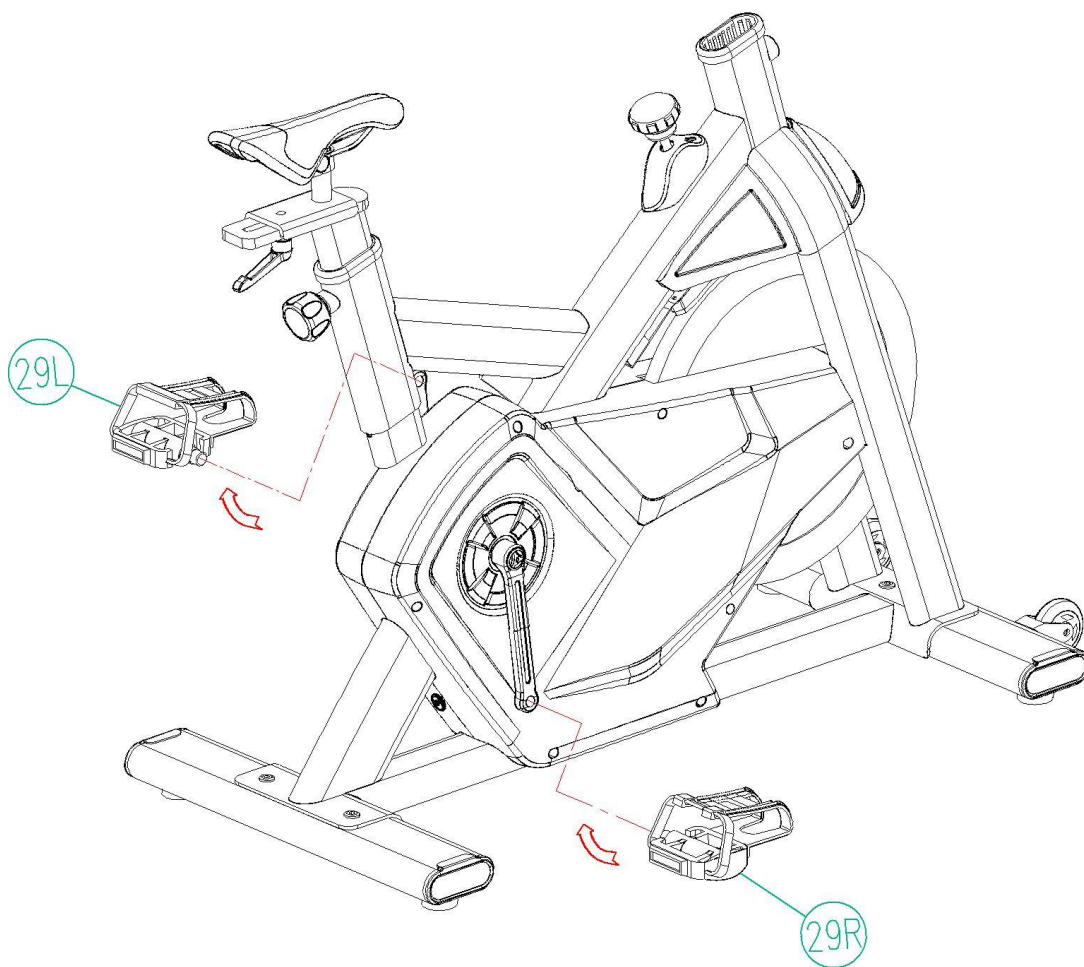
STEP 1

Attach the rear tube (38) to the main frame(60) using two sets of cap nut(25), Attach the front tube (54) to the main frame same as the rear tube.



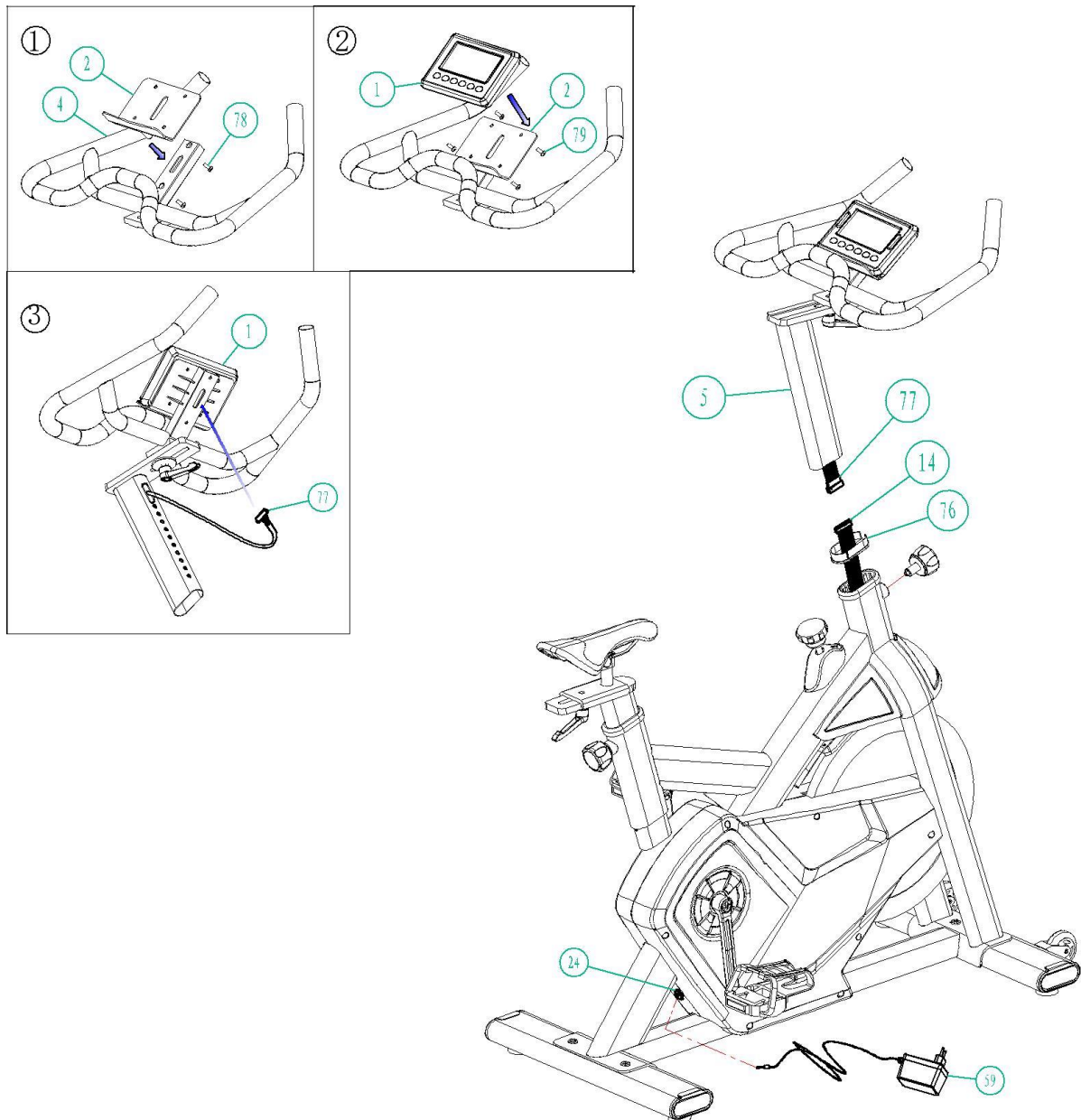
STEP 2

Put seat post (17) insert main frame with knob (21) adjust height.
Put seat (15) on the slider(16) and fix it.



STEP 3

The pedals (29L and 29R) are marked “L” and “R”-left and right. Connect them to their appropriate crank set(28L and 28R). The right crank set is on the right hand side of the cycle as you sit on it. Note that the Right pedal should be threaded on clockwise and the left pedal on anti-clockwise.



STEP 4

Fix the iPad shelf(2) on the handlebar(4) using screw(78), put computer(1) into iPad shelf(2), and fix handlebar(4) on handlebar post(5) using washer(14) and knob(19).

And connect sensor plug (14) and sensor plug (77), then insert the sensor plug(77) into the sensor joint of computer.

Now your spinning bike is finished for use.



GARLANDO SPA
Via Regione Piemonte, 32 - Zona Industriale D1
15068 - Pozzolo Formigaro (AL) - Italy
www.toorx.it - info@toorx.it