



**BOSCH**



# Clothes dryer

**WQG24500NL**

**[NL]** User manual and  
installation instructions

Refer to the Digital User's Guide for more information.



## Index

- 1 Safety..... 4
  - 1.1 General instructions ..... 4
  - 1.2 Destination of the device rate ..... 4
  - 1.3 Restriction of users ..... 4
  - 1.4 Safe installation..... 5
  - 1.5 Safer use ..... 7
  - 1.6 Safe cleaning and maintenance ..... 10
- 2 Avoiding material damage ..... 11
- 3 Environmental protection and saving ring..... 11
  - 3.1 Disposing of the packaging .... 11
  - 3.2 Saving energy ..... 11
  - 3.3 Energy Saving Mode ..... 12
- 4 Set up and connection ..... 12
  - 4.1 Unpacking the device ..... 12
  - 4.2 Scope of delivery ..... 12
  - 4.3 Installation site requirements ..... 13
  - 4.4 Water drain hose..... 13
  - 4.5 Adjusting the device ..... 16
  - 4.6 Connecting the appliance electrically..... 16
- 5 Getting to know your device..... 17
  - 5.1 Device ..... 17
  - 5.2 Control panel..... 18
- 6 Display ..... 19
- 7 Buttons ..... 22
- 8 Drying target ..... 25
  - 8.1 Changing Drying Target..... 25
  - 8.2 Adjust drying target..... 25
- 9 Programs ..... 26
  - 9.1 Automatic programs .... 26
  - 9.2 Time programs..... 27
- 10 Accessories..... 29
- 11 Laundry..... 30
  - 11.1 Preparing the laundry..... 30
- 12 The Ministry in Essentials..... 30
  - 12.1 Switching on the device .... 30
  - 12.2 Set program ..... 30
    - 12.3 Loading the drum with laundry ..... 30
  - 12.4 Starting the program ... 31
  - 12.5 Refilling the laundry ..... 31
  - 12.6 Program cancel ..... 31
  - 12.7 Taking out the laundry ..... 31
  - 12.8 Switching off the appliance ..... 31
  - 12.9 Fluff filter ..... 31
  - 12.10 Condensate tank ..... 33
- 13 Child Lock ..... 34
  - 13.1 Switching on child lock ..... 34
  - 13.2 Deactivating the child lock..... 34
- 14 Basic settings ..... 35
  - 14.1 Overview of the basic settings ..... 35
  - 14.2 Changing basic settings..... 36
- 15 Device maintenance..... 36
  - 15.1 Preparing the device for device maintenance den ..... 36
  - 15.2 Preparing the condensate container for device maintenance ..... 37
  - 15.3 Starting device maintenance ... 37

15.4 Performing simple device maintenance on the device.....	37
15.5 Intensive device maintenance on the device preparing .....	39
15.6 Carrying out intensive device maintenance .....	39
15.7 Ending intensive device maintenance .....	41
16 Cleaning and maintenance .....	42
16.1 Tips for cleaning and the maintenance.....	42
16.2 Humidity sensor .....	42
16.3 Filter of the condensed water tank .....	43
17 Troubleshooting .....	44
18 Transporting, Storing and drain.....	48
18.1 Preparing the device for transport .....	48
18.2 Disposal of your old device .....	48
19 After-sales service.....	49
19.1 Product number (E no.) and production number (FD) .....	49
20 Consumption values .....	50
21 Technical data.....	51



## 1 Safety

---

Observe the following safety instructions.

### 1.1 General instructions



†Please read this manual carefully.

†Keep the operating instructions and product information for future reference.  
for use or for subsequent owners.

†Do not connect the device in case of transport damage.

### 1.2 Destination of the device

Only use the device:

†to use dryer-safe and water-washed textiles  
dry and refresh.

†for domestic use and in enclosed spaces within the  
sly environment.

†to an altitude of 4000 m above sea level.

### 1.3 Restriction of users

This appliance can be used by children aged from 8 years and above and persons with reduced physical, sensory or mental capabilities or lack of experience and/or knowledge if they have been given supervision or instruction concerning use of the appliance in a safe way and understand the resulting hazards. understood. Children must not play with the appliance.

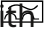
Cleaning and user maintenance shall not be made by children unless they are supervised.

Make sure that children up to 3 years old and pets cannot reach the device.

## 1.4 Secure installation

Observe the safety regulations when installing the device.

**⚠ WARNING – Risk of electric shock! Improper installations are dangerous.**

- ▶ Connect and operate the device only in accordance with the information on the type plate.
- ▶ Only connect the device to a mains supply with alternating current via a properly installed earthing socket.
  
- ▶ The protective earth system of the electrical house installation must be installed in accordance with the electrical engineering regulations. The installation must have a sufficiently large conductor diameter.
  
- ▶ When using an earth leakage circuit breaker, only use a type marked with .
- ▶ Never power the device via an external switching device, e.g. a time switch or remote control.
- ▶ Never connect the appliance to a circuit that is regularly turned on and off by the utility.
- ▶ When the device is installed, the mains plug of the mains connection cable must be freely accessible or, if free access is not possible, an all-pole disconnecting device must be installed in the permanently installed electrical system in accordance with the installation instructions.
- ▶ When setting up the device, make sure that the power cord is not pinched or damaged.  
Damaged power cord insulation is dangerous.
- ▶ Never bring the connecting cable into contact with hot appliance parts or heat sources.
- ▶ Never bring the power cable into contact with sharp points or edges.
- ▶ Never kink, pinch or alter the power cord.

**⚠ WARNING – Risk of fire!**

Using an extended power cord and unauthorized adapters is dangerous.

- ▶ Do not use extension cords or multiple sockets.
- ▶ If the power cord is too short, contact customer service.
  
- ▶ Only use adapters approved by the manufacturer.

**⚠ WARNING – Risk of injury!**

The heavy weight of the device can cause injuries when lifted.

- ▶ Do not lift the device alone.

If this appliance is installed incorrectly in a washer-dryer column, the installed appliance may fall.

- ▶ Only stack the dryer on top of a washing machine with the dryer manufacturer's connection kit  
→ *Accessories*, Page 29 No other placement method is allowed.
- ▶ Do not install the appliance in a washer-dryer column if the dryer manufacturer does not offer a suitable connection set.
- ▶ Do not install appliances from different manufacturers and with different depths and widths in a washer-dryer column.
- ▶ Do not set up a washer-dryer column on a platform, the devices can tilt.

**⚠ WARNING – Risk of suffocation!**

Children can pull packing material over their head and become entangled and suffocate.

- ▶ Keep packaging material away from children.
- ▶ Do not let children play with packaging material.

**⚠ CAUTION – Risk of injury!**

The device may vibrate or move during operation.

- ▶ Set up the device on a clean, flat and solid surface.


- ▶ Level the appliance using the appliance feet and a spirit level.

There is a tripping hazard with incorrectly laid hoses and mains connection cables.

- ▶ Lay the hoses and connection cables in such a way that they cannot be tripped over.

If the appliance is moved by protruding parts, such as the loading door, the parts can break off.

- ▶ Do not move the appliance by protruding parts.

 CAUTION – Risk of cutting!

Sharp edges on the device can cause cuts if touched.


- ▶ Do not touch the device on sharp edges.
- ▶ Use protective gloves when installing and transporting the device.

## 1.5 Safer use


 WARNING – Risk of electric shock!

A damaged appliance or power cord is dangerous.


- ▶ Never use a damaged device.
- ▶ Never pull on the power cord to disconnect the device from the power supply. Always pull the plug on the power cord.
- ▶ If the appliance or the mains cable is damaged, immediately unplug the mains cable from the socket or switch off the fuse in the fuse box.
- ▶ Contact customer service. *Page 49* Penetrating moisture can cause an electric shock.
- ▶ Only use the device in closed rooms.
- ▶ Never expose the device to excessive heat and humidity.
- ▶ Do not use a steam cleaner, pressure washer, hoses or nozzles to clean the appliance.

 **WARNING** – Risk of health hazard! Children can lock themselves in the appliance and endanger their lives.


- ▶ Do not install the appliance behind a door that blocks or prevents the opening of the appliance door.
- ▶ In the case of discarded appliances, remove the mains plug from the socket, then cut the mains cable and damage the lock of the appliance door so that the appliance door no longer closes.

 **WARNING** – Risk of suffocation!  
Children can inhale or swallow small parts and choke.

- ▶ Keep small parts away from children.
- ▶ Do not allow children to play with small parts.

 **WARNING** – Risk of explosion!  
Coal dust or flour in the vicinity of the device can cause explosions.

- ▶ Keep the area around the device clean during use.

 **WARNING** – Risk of poisoning!  
The condensed water from this appliance is not drinking water and may be contaminated with fluff.

- ▶ Do not drink or continue to use the condensed water from the device.

Detergents and care products can lead to poisoning if ingested.

- ▶ In case of accidental ingestion, seek medical advice.
- ▶ Keep detergents and care products out of the reach of children.

**⚠ WARNING – Risk of fire!**

The refrigerant R290 in this appliance is environmentally friendly but flammable and can ignite on contact with open flames or ignition sources.

- ▶ Open flames and other ignition sources away from the

hold device.

**⚠ WARNING – Risk of explosion!**

Residues in the fluff filter can ignite during drying.

- ▶ Clean the fluff filter regularly.

Highly flammable items, such as lighters or matches, can ignite during drying.

- ▶ Before drying, remove all highly flammable objects from the pockets of the laundry.

If unwashed laundry has come into contact with solvents, oil, wax, wax remover, paint, grease or stain remover, it can ignite during drying.

- ▶ Do not dry unwashed laundry in this appliance.
- ▶ Before drying, rinse the laundry thoroughly with hot water and detergent.
- ▶ Do not use the appliance if the laundry is previously cleaned with industrial chemicals.

**⚠ WARNING – Risk of fire!**

The laundry was not cooled sufficiently if drying was interrupted prematurely and could ignite.

- ▶ Do not interrupt the drying program prematurely.
- ▶ Remove and spread out the laundry immediately if drying is interrupted prematurely.

**⚠ CAUTION – Risk of injury!**

The cover plate may break when climbing or clambering on the device.

- ▶ Do not climb or clamber on the device.

The appliance may tip over when sitting or leaning on the open door.


- ▶ Do not sit or lean on the appliance door.
- ▶ Do not place any objects on the appliance door.

Reaching into the rotating drum can cause injury to hands.


- ▶ Wait for the drum to come to a complete stop before reaching inside the drum with your hand.

## 1.6 Safe cleaning and maintenance

Observe the safety instructions when cleaning and maintaining the device.

 **WARNING** – Risk of electric shock! Improper repairs are dangerous.

- ▶ Only qualified personnel may carry out repairs on the device.
- ▶ Only original spare parts may be used for repair of the device.
- ▶ If the power cord of this appliance is damaged, it must be replaced by the manufacturer, its service agent or a similarly qualified person in order to avoid a hazard. Penetrating moisture can cause a shock.
- ▶ Do not use a steam cleaner, pressure washer, hoses or nozzles to clean the appliance.

 **WARNING** – Risk of injury!

The use of non-original spare parts and non-original accessories is dangerous.

- ▶ Only use original spare parts and accessories from the manufacturer.

 **WARNING** – Risk of poisoning!

Toxic fumes can be generated when cleaning agents containing solvents are used.

- ▶ Do not use solvent-based cleaning agents.

---

## 2 Material damage avoid

Follow this instruction to avoid material damage and damage to the device.

**PAY ATTENTION!**

Incorrect dosage of fabric softeners, detergents, care products and cleaning agents can affect the functioning of the appliance.

- ▶ Follow the manufacturer's dosing recommendations.

Exceeding the maximum load quantity affects the operation of the appliance.

- ▶ Observe and do not exceed the maximum load for each programme.

→ *!Programs", Page 26*

Overheating of the device can affect the operation of the device.

- ▶ Keep the air inlet of the device clear during operation.
- ▶ Provide adequate ventilation in the room.

Light objects, such as hair and fluff, can be drawn into the air inlet of the device during operation and affect the function of the device.

- ▶ Keep the environment clean while using the device.
- ▶ Keep light objects away from the device.

Foam or foam rubber may warp or melt when dried.

- ▶ Do not dry foam or foam rubber laundry.

Unsuitable cleaning agents can damage the surfaces of the device.

- ▶ Do not use sharp or abrasive cleaning agents.

- ▶ Do not use strongly alcoholic cleaning agents.
- ▶ Do not use hard scouring or dishwashing sponges.
- ▶ Clean the device only with water and a soft, damp cloth.
  
- ▶ Remove all detergent residues, spray mist or residues immediately upon contact with the appliance.

---

## 3 Environmental protection and savings

### 3.1 Disposing of the packaging

The packaging materials are environmentally friendly and can be reused.

- ▶ Dispose of the individual components separately according to type.

### 3.2 Saving energy

If you follow these directions, your device will use less power.

Operate the device in a well-ventilated area and keep the air inlet of the device clear.

aA hindered air exchange extends the program duration and increases energy consumption.

Before drying, spin the laundry in the washing machine.

aWetter laundry extends the program duration and increases energy consumption.

## NLSet up and connect

Observe the maximum load for the programmes.

→ *†Programs*", Page 26

a Exceeding the maximum male load quantity extends the program duration and increases energy consumption.

Clean the fluff filter after drying → Page 31†

a A contaminated fluff filter reduces the airflow in the appliance, extends the program duration and increases energy consumption.

### 3.3 Energy Saving Mode

If you do not operate the device for a longer period of time, the device automatically switches to energy-saving mode. All clues disappear and

▷ Start/ Pauseclipping

pert.

The energy saving mode is exited when you operate the device again.

---

## 4 Set up and connect

### 4.1 Unpacking device

#### PAY ATTENTION!

Objects that remain in the drum and that are not intended for use with the device can lead to material and device damage.

▶ Before use, remove all these items and the supplied accessories from the drum.

1. Remove packing material and protection ng completely from the app ready.

→ *†Disposal of the packaging*", Page 11

2. Check the device for visible damage.

3. Open the appliance door.  
→ *†The Ministry in Essence*", Page 30

4. Remove the accessories from the drum.

5. Close the appliance door.

### 4.2 Scope of delivery

After unpacking, check all parts for transport damage and the completeness of the delivery.

#### PAY ATTENTION!

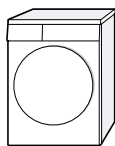
Use with incomplete or defective accessories may impair the function of the device or cause material damage and damage to the device.

- ▶ Do not use the device with incomplete or defective accessories.
- ▶ Replace the accessories before using the device.  
→ *†Accessories*", Page 29

---

#### Delivery amount- Description catch

---



Clothes dryer



Accompanying documents



Water drain hose with connection brave, confirm going material and bend.

→ *†water drainage feeding hose*", Page 13

---

## 4.3 Installation site requirements

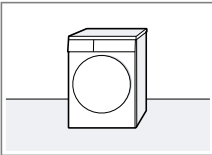
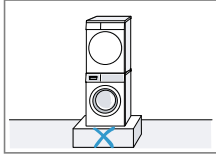
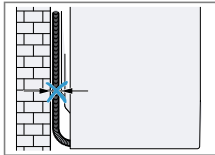
### PAY ATTENTION!

If the device is tilted more than 40°, residual water can run out of the device and cause material damage.

- ▶ Carefully tilt the device.
- ▶ Transport the device upright. Freezing residual water in the device can damage the device.
- ▶ Do not place and use the device in frost-sensitive places or outdoors.

If the device is used immediately after transport, the refrigerant in the device can cause damage to the device.

- ▶ Let the device rest for two hours immediately after transport before using it.

installation site	Requirements
<p>On the floor</p> 	<p>The device on a clean, even and fixed on-place surface. The device set → Page 16†</p>
<p>in a laundry drying column</p> 	<p>The device allow with the original connection set of the drug ger manufacturer in a washer-dryer to set up a column. → †Accessories", Page 29</p> <p>→ †Accessories", Page 29 This device allow a washing machine from the same manufacturer place. The depth and width of this appliance with the measurements of the washing machine china match man. The washer-dryer column do not place on a platform.</p>
<p>on a wall</p> 	<p>no snakes between wall and clamping device man.</p>

## 4.4 Water drain hose

During drying, condensation is created that your appliance uses for automatic cleaning. Use the

## NLSet up and connect

water drain hose to direct excess condensation water into the waste water.

### Comments

- †Use this appliance with the supplied water drain hose. If you connect the water drain hose
  - *Page 14*, you do not have to empty the condensed water container regularly
  - *Page 33*† You can use this optional
    - *†Accessories*", *Page 29*order from customer service.

### Connect water drain hose

If you do not want to empty the condensed water container of the device regularly, connect the water drain hose.

#### PAY ATTENTION!

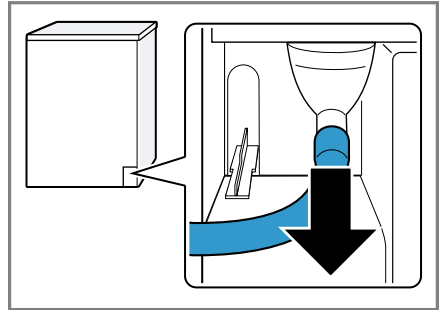
If the device is used without a properly connected condensation water hose or water drain hose, liquid may leak from the connection piece.

- ▶ Before using the device, connect the condensate hose or the drain hose in a professional manner.

#### Requirements

- †The device and its accessories are unpacked.
  - *†Unpacking device*", *Page 12*
- †The appliance is on the installation place set up.
  - *†Installation site requirements*", *page 13*

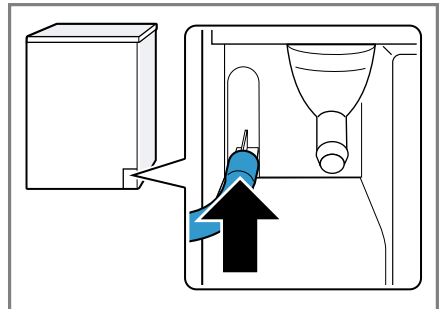
- 1.Pull the condensate hose from the connection.



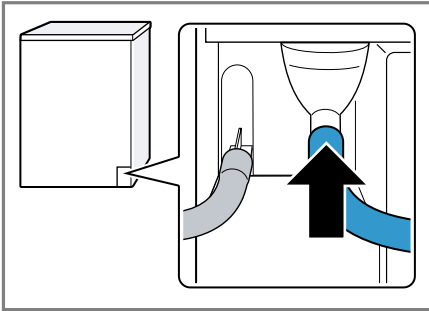
The condensate hose is connected to the connection at the factory.

Remark:When removing the condensed water hose, liquid may escape from the connection.

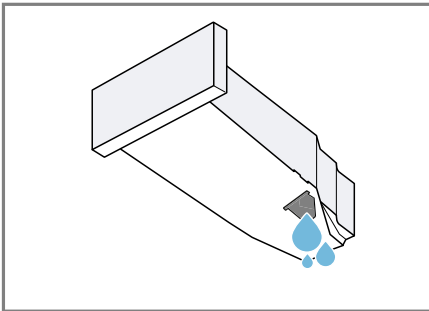
- 2.Push the condensate hose onto the holder.



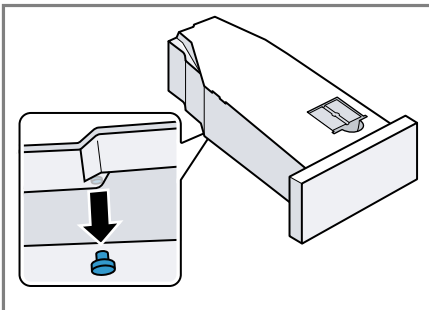
3. Push the water drain hose onto the connection as far as it will go.



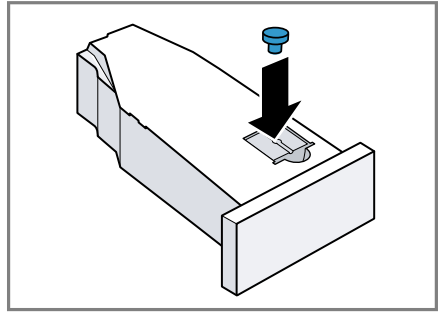
4. Emptying the condensed water container  
→ Page 33†



5. Remove the stopper from the bottom.



6. Insert the stopper into the recess in the top.



7. Push in the condensed water container → Page 34†

8. Connect the appliance to the water outlet.  
→ †Drainage connection types", page 15

Tip: To collect the condensed water again in the condensed water container (e.g. if the location of the device is changed), undo these steps in reverse order.

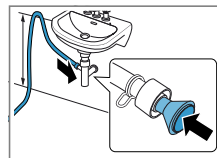
#### Connection types for water drainage

##### PAY ATTENTION!

With a clogged or closed drain, accumulated waste water can flow back into the unit.

- ▶ Before using the device, ensure that the waste water drains quickly and clears blockages.

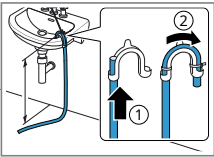
#### Drain in a siphon.



The connection position tie with a hose clamp (12-22 mm) bore gene. the water feeding hose with a hose guide thing on minimum 80 cm and maximum

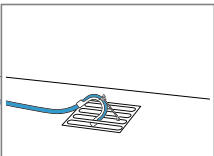
times 100 cm height confirmation gene.  
Remark:Of the Y-divider → Page 29 can you replace the water drain hose from an additional device rate like e.g. a washing machine on the same connect feed from the siphon.

Drain in a sink.



the water feed hose com-crack through the slide and with the confirmation material securing at. on the bend maximum 100 cm height settle.

Drain in a ditch.

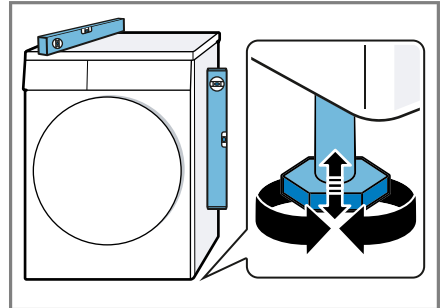


the water feed hose com-crack through the slide and with the confirmation material securing at. The bend on the gutter.

## 4.5 Adjusting the device

To reduce noises and vibrations, level the device.

- ▶ To adjust the appliance, turn the appliance feet. Check the horizontal adjustment of the appliance with a spirit level.



All appliance feet must be firmly planted on the floor.

## 4.6 Connecting the appliance electrically

- 1.Insert the mains plug of the mains cable of the device into a socket in the vicinity of the device.

The connection data of the device can be found in the technical data → Page 51†

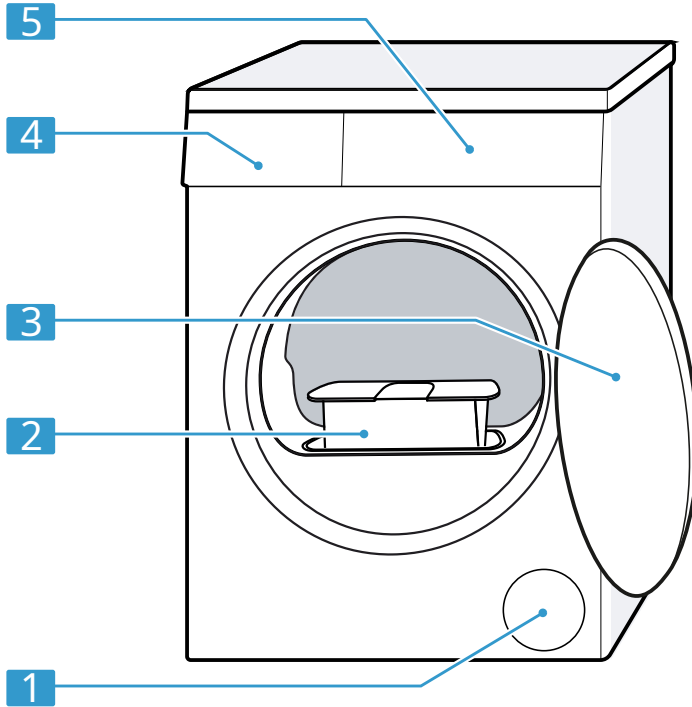
- 2.Check the mains plug for tightness.

---

## 5 Getting to know your device

### 5.1 Device

Here you will find an overview of the components of your device.



Depending on the device type, details in the picture may differ, e.g. the color and the shape.

---

**1** Air intake

---

**2** Fluff filter → *Page 31*

---

**3** Door

---

---

**4** Condensate tank  
→ *Page 33*

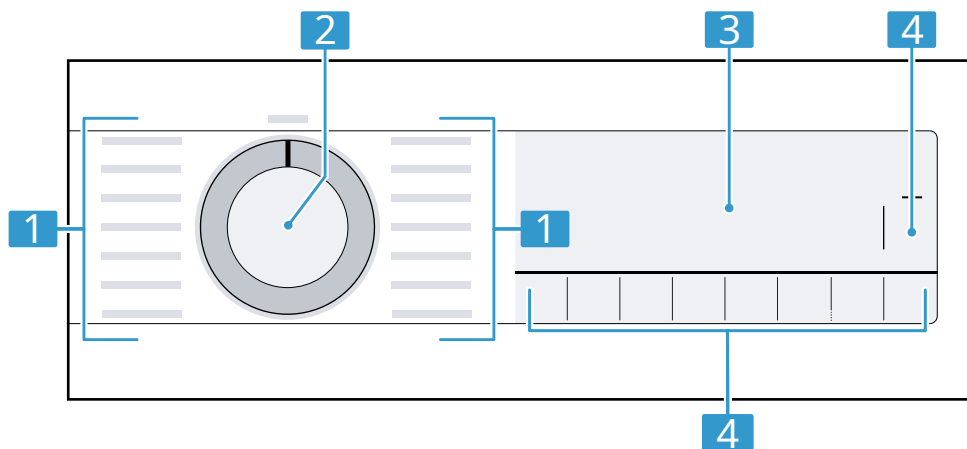
---

**5** Control panel  
→ *Page 18*

---

## 5.2 Control panel

You can set all functions of your device and obtain information about the operating status via the control panel.



---

**1** Programs → *Page 26*

---

**2** Program selector  
→ *Page 30*

---

**3** Display → *Page 19*

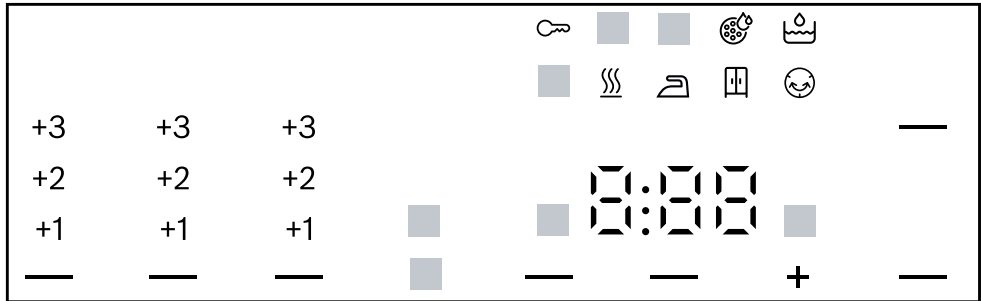
---

**4** Buttons → *Page 22*

---

## 6 Display








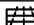


The display shows the current setting values, options or information texts.






### Example display indication

Indication	name	Description
0:40 <sub>1</sub>	Program duration / remaining time of the program	Approximate expected program duration or time remaining in the program.
1:25	Time program	Time program is set. → <i>tTime programs", page 27</i>
9.0 kg <sub>1</sub>	Recommended load	Maximum load amount for the set program in kg.
+ 0:45 <sub>1</sub>	Ready in time	→ <i>tButtons", Page 24</i>
	Child lock	†lights up: the childproof lock is activated. † flashes: the child lock is activated and the device was operated. → <i>tDeactivate child lock", page 34</i>
(Start/ Pause)	Start / Pause	Start, cancel or pause †lights up: the program is running and can be depicted smoking or taking a break. †flashes: it program can be started or restarted barrel.
(Iron dry)	Drying purpose iron dry	The drying target is activated. → <i>tButtons", Pa gina 23</i>

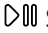

<sub>1</sub>Example

Indication	name	Description
 (Closet-dry)	Drying purpose cabinet-dry	The drying target is activated. → <i>tButtons</i> ", Page 23
 (cupboard dry Plus)	Drying purpose cabinet-dry Plus	The drying target is activated. → <i>tButtons</i> ", Page 22
+ 1 + 2 + 3	Drying target suits	The custom drying target has been activated. → <i>tButtons</i> ", Page 22  → <i>tButtons</i> ", Page 23  → <i>tButtons</i> ", Page 23
 (Anti wrinkle)	Anti-crease function	The anti-crease function is activated. → <i>tButtons</i> ", Page 23
 (Low temp temperature)	Gentle drying	Gentle drying for sensitive textiles is activated. → <i>tButtons</i> ", Page 24
4.5 kg 	half load amount of	Half the load quantity is activated.  → <i>tButtons</i> ", Page 24
 (Signal from)	Silent drying	Silent drying without beeps is activated.  → <i>tButtons</i> ", Page 24
	fluff filter	Cleaning the fluff filter → Page 31†
Cre	Just device-maintenance	Run regular device maintenance program.  → <i>tCarrying out simple device maintenance on the device</i> ", page 37
hot	cooling process	The laundry is cooled with a rotating drum to avoid damage to the laundry. The process can be interrupted by opening the door.  Remark:Do not change the program.
	Automatic self-cleaning	The automatic self-cleaning flushes the heat exchanger from the appliance. Remark:Do not remove the condensed water container or cancel the programme.
	To dry	Program status
	Drying purpose iron dry	Program status
†Example		

Indication	name	Description
	Drying purpose cabinet-dry	Program status
	Anti wrinkle	Program status
 (Start/ Pause)	Pause	Program status
end	Program end	Program status
1Example		

## 7 Buttons

Here you will find an overview of the buttons and their setting options.

Knob	Choice	Description
 Start/ Pause	†start †Cancel †pause	Start program, an-zero or pause.
 3 sec.	†activate †deactivate	Activate or deactivate the child lock. The control panels secure against accidental operation. If the childproof lock has been activated and the appliance has been switched off, the childproof lock remains activated. → †Child lock", <i>Page 34</i>
Cupboard Dry Plus	†Cupboard Dry Plus †1 †2 †3	†With the selection Cabinet-dry Plus, the drying target is activated sprunged. Laying the drying target determine how damp or dry the laundry is at the end of the programme is. → †drying target", <i>Page 25</i> †With the selection +1 , + 2 or +3 the drying target is adjusted. → †Adjust drying target", <i>Page 25</i>

Knob	Choice	Description
Cupboard Dry	†Cupboard Dry †1 †2 †3	†With the selection Cabinet-dry, the drying target is activated. Laying the drying target determine how damp or dry the laundry is at the end of the programme is. → †drying target", <i>Page 25</i> †With the selection +1 , + 2 or +3 the drying target is adjusted. → †Adjust drying target", <i>Page 25</i>
Iron dry	†Iron dry †1 †2 †3	†With the Ironing selection dry, the drying target is activated. Laying the drying target determine how damp or dry the laundry is at the end of the programme is. → †drying target", <i>Page 25</i> †With the selection +1 , + 2 or +3 the drying target is adjusted. → †Adjust drying target", <i>Page 25</i>
Anti wrinkle	†activate †deactivate	Activate or deactivate the anti-crease function. The drum moves the laundry after the end of the program for the 60 minutes at regular intervals to avoid creasing.

Knob	Choise	Description
Low temperature	†activate †deactivate	Activate soft drying or deactivate. The temperature becomes lowered for sensitive textiles, e.g. for polyacrylic or elastane. The program duration is extended.
Ready in	†Program end †Program duration	†The program end capture. The program duration is already included in the set number of hours. After the program starts, the program duration weather datum. †The program duration for time programs Set up. → <i>†time programs</i> ”, <i>Page 27</i>
signal off	†activate †deactivate	Signal after program end activate or deactivate.
half load	†activate †deactivate	Individual pieces laundry or small amounts.

## 8 Drying target

A drying target is specified for each automatic programme. The drying target determines how dry or damp your laundry is after the program has ended.

Drying target	laundry	Drying result
Cupboard Dry Plus	Multi-layer thick laundry that dries hard.	The laundry is dry.
Cupboard Dry	Normal single-layer wash good.	The laundry is dry.
Iron dry	Normal single-layer wash good	The laundry is still slightly damp after drying. To avoid creasing after drying, iron or hang the laundry.

### 8.1 Change drying target




For some automatic programmes, you can change the drying target so that your laundry becomes even drier or damper.

1. Set an automatic program.

→ *tAutomatic programs", Page 26*

a The display shows the specified drying target.

2. on Cupboard Dry, Cupboard Dry Plus or Iron dry to press.

a The display shows:  (cupboard dry),  (Cupboard Dry Plus) or  (Iron dry)

2. on Cupboard Dry Plus, Cupboard Dry or Iron dry to press.

a The display shows: "+1", "+2" or "+3".

### 8.2 Adjust drying target

If you find the laundry too damp after drying with a specific drying target, you can adjust the drying target.

1. Set an automatic program.

→ *tAutomatic programs", Page 26*

a The display shows the specified drying target.

## 9 Programs

You can dry your textiles with either an automatic program or a timed programme.

### 9.1 Automatic programs

Automatic programs in which moisture sensors measure the residual moisture of the laundry during drying. The program will not end until the set drying target has been reached. Each automatic program has a drying target → *Page 25*


† The drying target determines how dry or damp the laundry is after the program has ended.

#### Tips

† Choose the drying target according to adjust the textile or the desired drying result.

→ *†Drying target", Page 25*

† The care labels of the washing machine well give you additional instructions for program selection.

Program	Description	max. belasting (kg)
Cotton	Dry sturdy and boil-resistant textiles made of cotton and linen. Dry sturdy and boil-resistant textiles made of cotton and linen.	9.0
 Cotton eco	Dry sturdy and boil-resistant textiles made of cotton and linen. Dry sturdy and boil-resistant textiles made of cotton and linen.  Energy saving program.	9.0
wrinkle resistant	Dry textiles made of synthetic or blended fabrics.	3.5
mix	Dry cotton or synthetic textiles.	3.0
blankets	Dry textiles, pillows, duvets or bedspreads filled with synthetic fibres. Remark: Dry large pieces of fabric, duvets or pillows separately.	2.5
Delicate laundry	Dry delicate satin, synthetic or blended fabrics.	2.0
Down	Dry down-filled textiles, blankets or down comforters. Comments † Dry large items of fabric, such as beds or sleeping bags separately.	1,5

Program	Description	max. belathing (kg)
	†To distribute the filling and retain moisture To remove buildup, shake the textiles at the end of the program.	
Hygiene Plus	Dry sturdy and boil-resistant textiles made of cotton and linen. Dry sturdy and boil-resistant textiles made of cotton and linen.  Remark: Particularly suitable for high hygienic requirements.	4.0
Sport shirts	Quick-drying sportswear with functional fibres, microfibres and synthetic drying.  Dry shirts and blouses made of cotton, linen, synthetic materials or blended fabrics.  Remark: For an optimal drying result, dry a maximum of 5 shirts or 5 blouses.  After drying, iron the laundry or hang it up. The residual moisture then distributes itself evenly.	1,5  1,5
Super Short 40 min.	Dry synthetic textiles and light cotton textiles.	2.0
Towels	Dry sturdy and boil-resistant towels and bathrobes made of cotton and linen.	6.0

## 9.2 Time programs

Time programs are programs with a fixed or adjustable program duration. The program ends after the time has elapsed, even if the laundry is not yet dry, for example. Timed programs are suitable for drying individual items of laundry or thin textiles.

Tip: The care labels on the laundry give you additional information on program selection.

Time program	Description	max. belathing (kg)
Wool finish	Machine washable wool or textiles with a wool content.  Remark: The textile becomes fluffier, but not dried.	0.5

## NLPrograms

Time program	Description	max. belathing (kg)
	Remove the laundry at the end of the program and let it dry.	
Time program warm	Dry all textiles except wool and silk.  Suitable for pre-dried or slightly damp laundry and for post-drying multi-layered, thicker laundry.	3.0

## 10 Accessories

Only use original accessories. These are adapted to the device.

Remark:Some accessories are available in other colours. Contact the

→ *tCustomer Service", page 49t*

	Usage	Order number
Connection set	Device space saving run on a suitable washing machine of the same the manufacturer and with the same width and depth.	WTZ27410
Connection set with extendable worktop.	Device space saving run on a suitable washing machine of the same the manufacturer and with the same width and depth. The pull-out worktop makes the appliance easier to use filled and emptied.	WTZ27400
Y-divider	Connect the water drain hose of an additional device to the same drain on the siphon.	15000490
Maintenance product for the device	Spare part for the intensive maintenance of the device.	00311829
Elevation	The device higher places so that it is easily filled and can be emptied.	WTZPW20D

## 11 Laundry

Remark: More information can be found in the digital operating instructions by scanning the QR code in the table of contents or on [www.bosch-home.com](http://www.bosch-home.com).

### 11.1 Preparing the laundry

**PAY ATTENTION!**

Objects left in the laundry can damage the laundry and the drum.

- ▶ Before use, remove all objects from the pockets of the laundry.
- ▶ To protect your appliance and the laundry, prepare the laundry.
  - Empty pockets
  - Brush sand from all covers and pockets
  - Close duvet covers and pillowcases
  - Close zippers, Velcro fasteners, hooks and eyes
  - Tie fabric belts, apron straps, etc. together, or use a laundry bag
  - Remove curtain rollers and lead laces or use a laundry net
  - use a laundry net for small items of laundry, e.g. children's socks
  - Unfold and loosen the laundry or observe the program descriptions
  - Spin the laundry before drying

## 12 The Ministry in essence

Remark: More information can be found in the digital operating instructions by scanning the QR code in the table of contents or on [www.bosch-home.com](http://www.bosch-home.com).

### 12.1 Switch on device

Required: The device is correctly set up and connected.

→ *†Setting up and connecting*", Page 12

- ▶ Set the program selector to a programme.

### 12.2 Set program

1. Turn the program selector and set it to the desired programme.  
→ *†Programs*", Page 26
2. Adjust program settings if necessary.

### 12.3 Filling the drum with laundry

Remark: To avoid creasing, keep the maximum load of the

→ *†Programs*", Page 26 heed.

Required: The laundry is prepared.  
→ *†Laundry*", Page 30

1. Open the door.  
Make sure the drum is empty.
2. Place the laundry in the drum.
3. Close the door.  
Make sure that no small items of laundry are caught in the door.

## 12.4 Starting the program

Remark: If you want to change the time until the program end, first set the ready in time.

▶ on  Start/ Pause to press.

aThe display shows whether the program maduur or the ready in time displayed.

aAfter the program end, it shows display: "End".

## 12.5 Adding laundry

You can always remove or add the laundry after the program has started.

1. on  Start/ Pause to press.

The cooling process starts automatically after approx. 30 seconds and cools the laundry with a rotating drum.

If you want to avoid or abort the cooling process, open the door.

→ *tDisplay*, page 20

2. Open the appliance door.

3. Reload or remove the laundry.

4. Close the appliance door.

5. Press  Start/Pause .

## 12.6 Program Cancel

1. on  Start/ Pause to press.

The cooling process starts automatically after approx. 30 seconds and cools the laundry with a rotating drum.

If you want to avoid or abort the cooling process, open the door.

→ *tDisplay*, page 20

2. Open the appliance door.

3. Remove the laundry

→ *Page 31†*

## 12.7 Laundry from the

1. Open the device at dEUR.

2. Remove the laundry.

## 12.8 Switching off the device

▶ Turn the program selector on Outto make.

## 12.9 Fluff filter

During drying, the fluff from the laundry is collected in the fluff filter. The fluff filter protects the device against fluff.

Cleaning the fluff filter

When the drying program has finished or if the display shows a message during use, clean the fluff filter.

Remark: If you do not clean the device as described, the device function may be impaired.

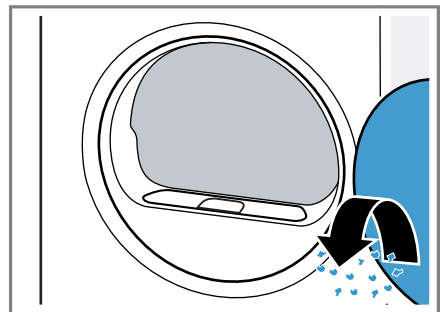
Requirements

†The display shows after drying: "end"

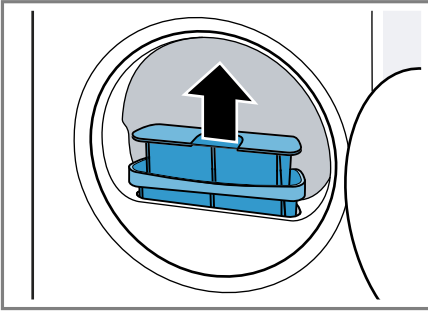
for during use: . 

1. Open the door.

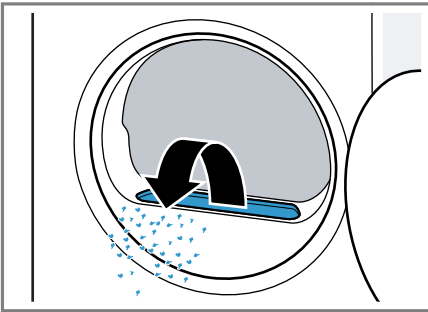
2. Remove the fluff from the door.



3. Remove the two-piece fluff filter.

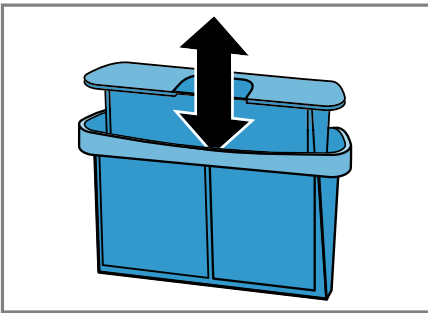


4. Remove the fluff from the recess.

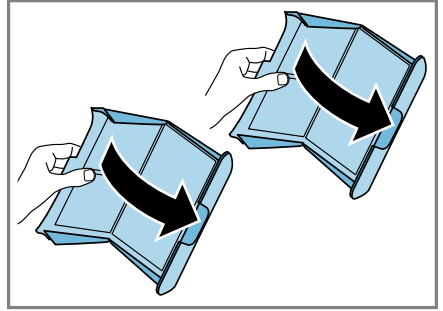


Make sure that no fluff falls into the air duct.

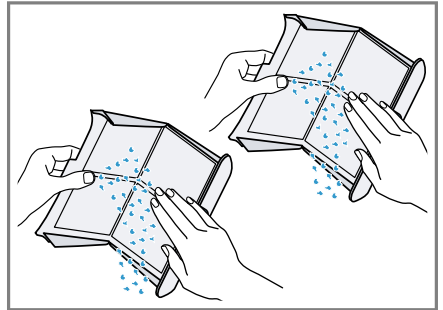
5. Detach the two-piece fluff filter.



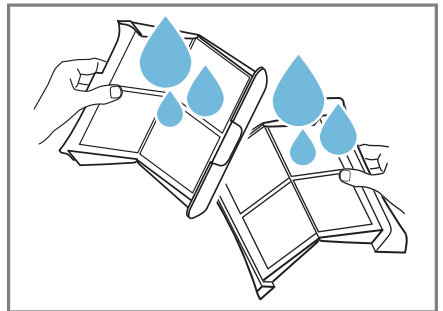
6. Open both fluff filters.



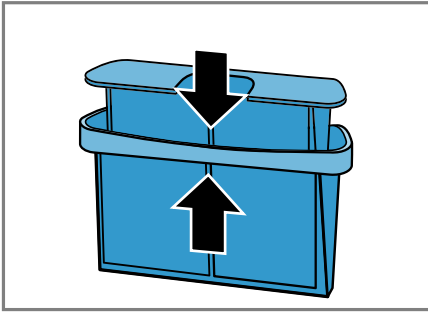
7. Remove the fluff.



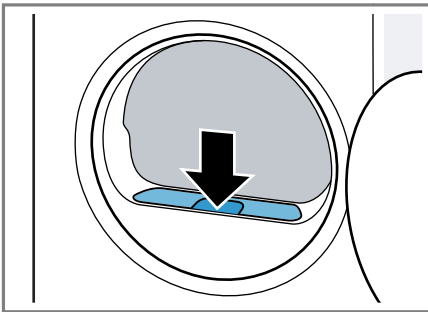
8. Thoroughly clean both fluff filters with running warm water and dry them.



9. Close the two fluff filters and plug them together.



10. Install the two-piece fluff filter.



11. Close the door.

## 12.10 Condensate tank


During drying, condensation is created that your appliance uses for automatic cleaning. The condensed water is collected in the condensed water container of the device at the factory.

Remark: Use this appliance with the supplied water drain hose. When you connect the water drain hose → *Page 14*, you do not have to regularly empty the condensed water container to empty → *Page 33†*

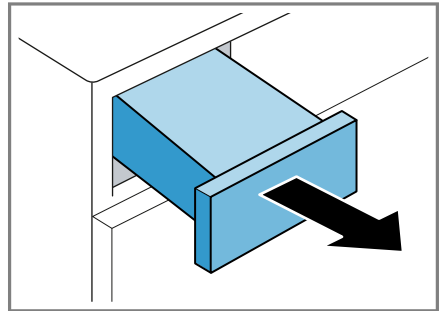
Empty the condensation container  
When the drying program has finished or if the display shows a message during use, empty the condensed water container.

Requirements

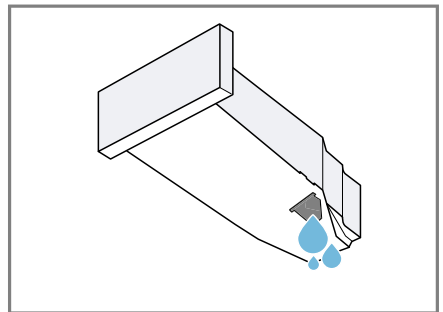
†The display shows after drying:  
"end"

for during use: . 

1. Pull out the condensed water container horizontally.



2. Empty the condensed water container.



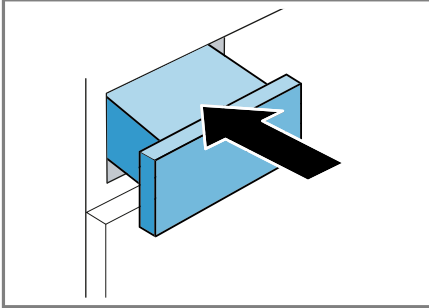
Regularly check the filter of the condensed water container → *Page 43* and clean a contaminated filter. Make sure that the condensed water container is pushed in before using the device.  
→ *†Push in the condensate container*", *page 34*

## NLChild lock

### Push in the condensation container

Required: The condensed water container  
→ *Page 33* has been removed from the device.

- ▶ Push in the condensed water container as far as it will go.





---

## 13 Child lock

Secure your device against unwanted operation via the controls.

### 13.1 Activate child lock

- ▶ Both keys  3 sec. approx. 3 sec-press condense.



aThe display shows  reflected to give.

aThe controls are blocked.

aThe childproof lock remains in effect even after the switching on the device and activated in the event of a power failure.

### 13.2 Deactivate child lock

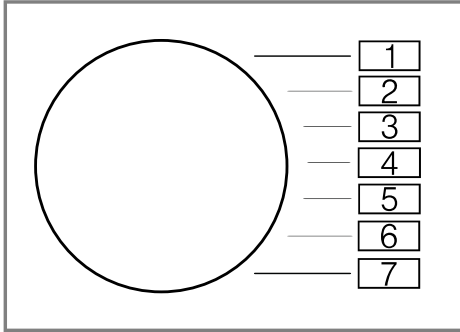
Required: To deactivate the child lock, the appliance must be switched.

- ▶ Pressure approx. 3 seconds on both buttons  3 sec. † goes out in the display  †

## 14 Basic Settings

You can configure the basic settings of your device according to your needs.

### 14.1 Overview of the basic settings

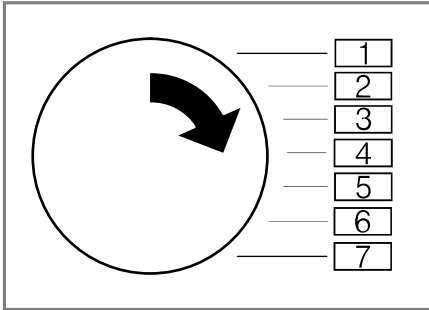


Basic setting	Program-position	Where the	Description
Signal	2	0 (off) 1 (soft) 2 (average share) 3 (loud) 4 (very loud)	Adjust the volume of the signal after the program has ended.
Key signal	3	0 (off) 1 (soft) 2 (average share) 3 (loud) 4 (very loud)	Adjust the volume of the signal when selecting the buttons.
program counter	5	42 <sup>1</sup>	Display the number of programs started.

<sup>1</sup>Example

## 14.2 Changing basic settings

1. Set the program selector to position 1.



2. Press Iron dry and at the same time turn the program selector to position 2.
- a) The display shows the current value on.
3. Set the program selector to the desired position.  
→ *“Overview of the basic settings”, page 35*
4. Press Ready into change the value.
5. Turn off the device to save the change.

---

## 15 Device maintenance

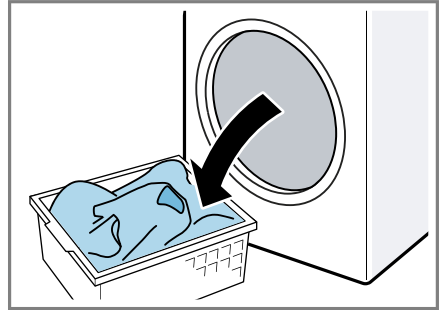
### 15.1 Preparing the device for device maintenance to ride

Before carrying out simple or intensive device maintenance, the device must be prepared.  
reid.

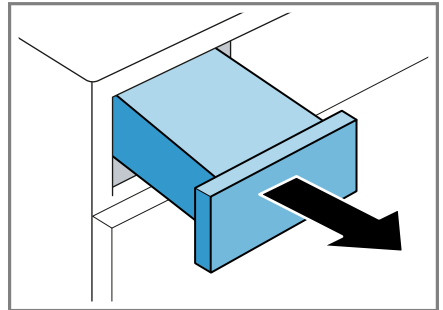
Required: The fluff filter is geared finish.

→ *“Clean fluff filter”, Page 31*

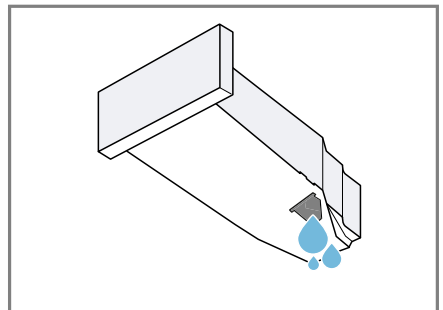
1. Remove the laundry.



2. Close the appliance door.
3. Pull out the condensed water container horizontally.



4. Emptying the condensed water container  
→ *Page 33*

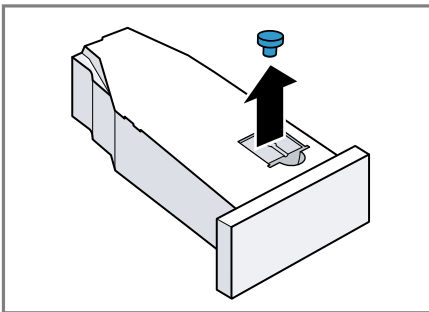


## 15.2 Preparing the condensate container for device maintenance

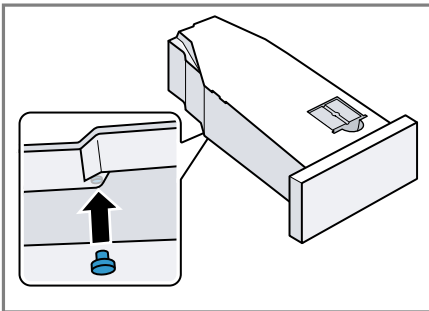
Remark: If the condensation water is drained away with the drain hose, the condensation water container must be prepared before simple or intensive device maintenance.

→ †Water drain hose", Page 13

1. Remove the inserted plug from the mold of the condensation container.



2. Insert the stop from below.



aThe condensed water container is for prepared for device maintenance.

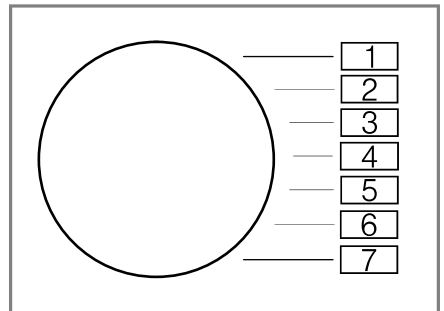
Remark: If the condensed water is diverted with the drain hose, then follow the steps mentioned above or intensive device reverse order the simple maintenance in from.

## 15.3 Device maintenance start

Requirements

- †The appliance is prepared for the device maintenance.
  - †Preparing the device for device maintenance", Page 36†
- †The condensed water container is for prepared for device maintenance.
  - †Preparing the condensate container for device maintenance", page 37†

1. Set the program to level 1.



2. onIron drypress and hold.

3. Set the program to level 4.

aThe display shows alternately "CP1" and the program duration.

## 15.4 Simple device maintenance on the device perform rate

A simple device maintenance can be performed to remove possible light contamination.

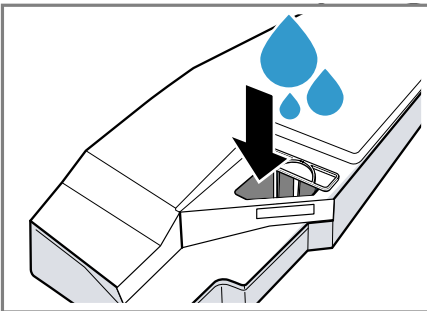
Remark: After a certain period of use, the device automatically recommends the simple device

maintenance. The display shows the tip "CrE" for 5 seconds before the start and after the program has ended. The note is displayed several times until the simple device maintenance has been completed.

Requirements

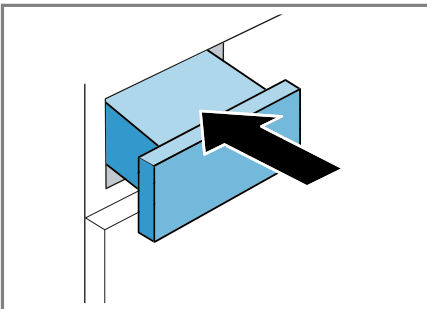
- †The appliance is prepared for the device maintenance.
  - †*Preparing the device for device maintenance*, Page 36†
- †Device maintenance has started.
  - †*Start device maintenance*, page 37


1. Approx. Fill 1 liters of warm tap water into the condensate container.

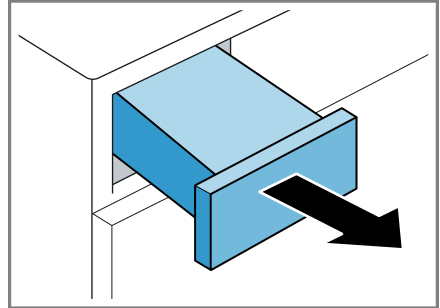


Hold the filled condensate water container horizontally so that no liquid escapes.

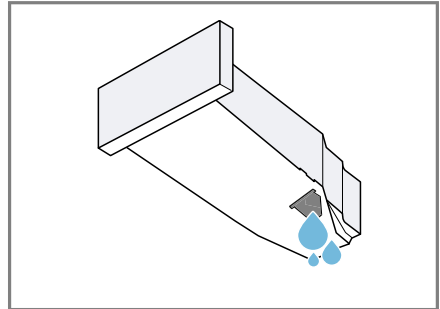
2. Push in the condensate water container until it locks into place.



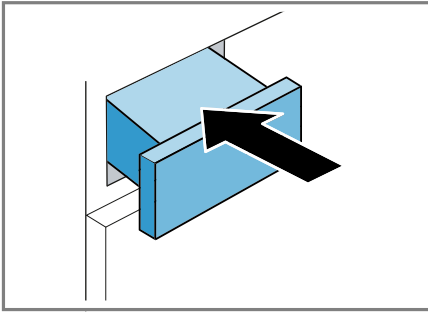
- 3. Press  Start/Pause .
  - aThe device maintenance starts and there a signal sounds.
  - aThe display shows "End" at the end of device maintenance and a signal sounds.
- 4. Pull out the condensed water container horizontally.



5. Emptying the condensed water container → Page 33†



6. Push in the condensed water container until it locks into place.



- aThe device maintenance has been fed.

Remark: If the condensed water is drained away with the drain hose, enter the → *†Preparing the condensate container for device maintenance*, page 37 the steps mentioned in the reverse order after simple or intensive device maintenance.

### 15.5 Intensive device maintenance on the device to prepare

If the device is not used for more than a month, stubborn dirt or odors may appear. To remove them, intensive device maintenance can be performed.

Remark: The intensive device maintenance takes about 4 hours. If the required steps are not performed in a timely manner during the program, the duration may increase. After the program has started, the intensive appliance please don't be torn down.

#### Requirements

†The appliance is prepared for the device maintenance.  
→ *†Preparing the device for device maintenance*,  
Page 36

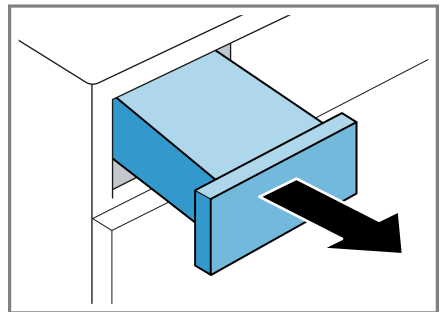
†Device maintenance has started.  
→ *†Start device maintenance*,  
page 37

► **Pre†.**

aThe display shows alternately "CP2" and the program duration.

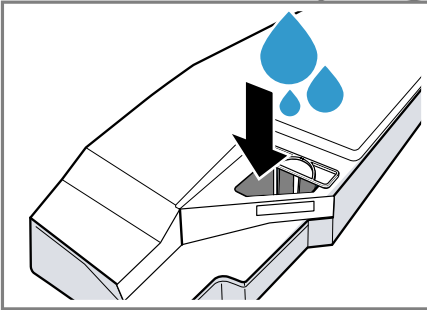
### 15.6 Perform intensive device maintenance

1. Pull out the condensed water container horizontally and empty it.



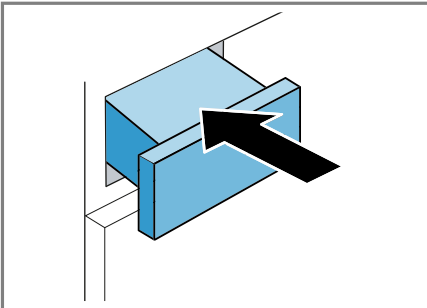
2. A bottle of the original care product

→ *Accessories*, Page 29 and fill approx. 1 ½ liters of warm tap water into the condensate container.



Hold the filled condensate water container horizontally so that no liquid escapes.

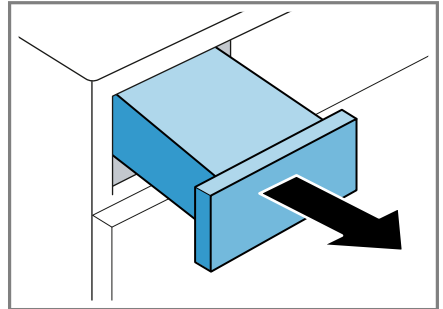
3. Push in the condensate water container until it locks into place.



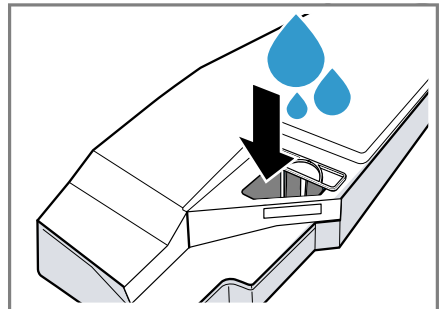
4. Press  Start/Pause .the app standby maintenance starts and a signal sounds.

After approx. 3 hours, the appliance pauses the appliance maintenance and the display shows the remaining program time.

5. Pull out the condensed water container horizontally and empty it.

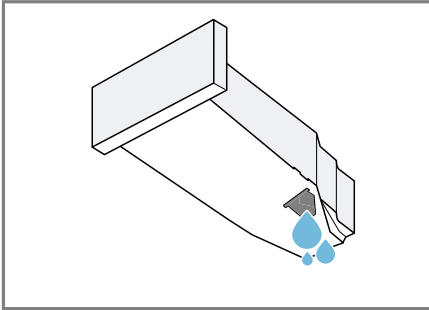


6. Approx. Fill 1 liters of warm tap water into the condensate container.



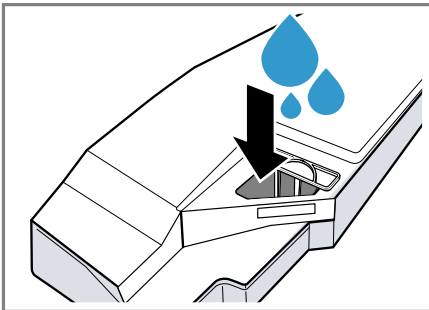
Hold the filled condensate water container horizontally so that no liquid escapes.

7. Carefully tilt the condensed water container horizontally and empty it to remove the remnants of the original care product.



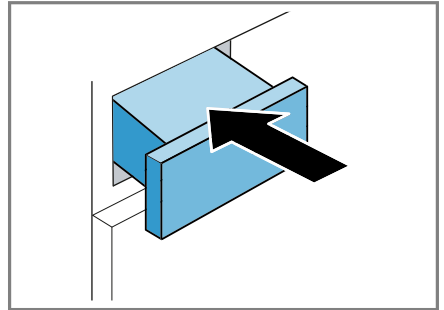
## 15.7 Ending intensive device maintenance


1. Approx. Fill 1 liters of warm tap water into the condensate container.



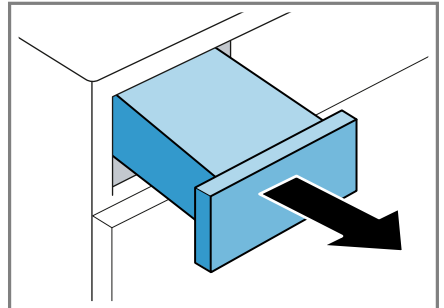
Hold the filled condensed water container horizontally so that no liquid escapes.

2. Push in the condensed water container until it locks into place.

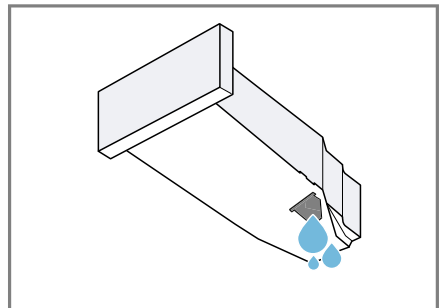


3. Press  Start/Pause .
  - a The device maintenance is continued. After the end of the device maintenance, the display shows "End" and a signal sounds.

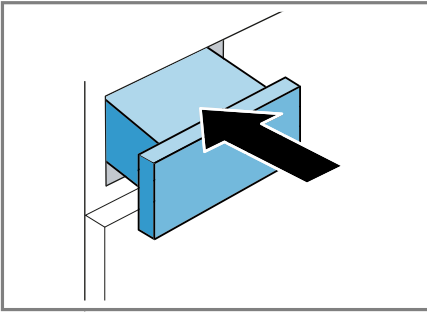
4. Pull out the condensed water container horizontally.



5. Emptying the condensed water container  
→ *Page 33*t



6. Push in the condensed water container until it locks into place.



7. Turn off the device.

→ *†Switch off the device", page 31*

- aThe device maintenance has been fed.

Remark:If the condensed water is drained away with the drain hose, enter the

→ *†Preparing the condensate container for device maintenance", page 37*the steps mentioned in the reverse order after simple or intensive device maintenance.

## 16 Cleaning and care loves

Carefully clean and maintain your device to ensure that it continues to function properly for a long time.

Remark:More information can be found in the digital operating instructions by scanning the QR code in the table of contents or on [www.bosch-home.com](http://www.bosch-home.com).

### 16.1 Cleaning and maintenance tips

The housing and the operating elements only with water and a damp cloth take.	This keeps these parts clean and hygienic.
Delete immediately all detergent residues, spray skin remnants or residual aunts.	Recent deposit gene can make lighter and sun-of the remains den removed.
The door of the device after leave use open.	The residual water can evaporating and odor formation in the device is reduced third.

### 16.2 Humidity sensor

The humidity sensor of this appliance determines how damp your laundry is during drying. Depending on the residual moisture of the laundry, the appliance changes the duration of the automatic program.

#### Clean Humidity Sensor

Over time, residues of limescale, detergents and care products can form on the humidity sensor. Clean the humidity sensor regularly.

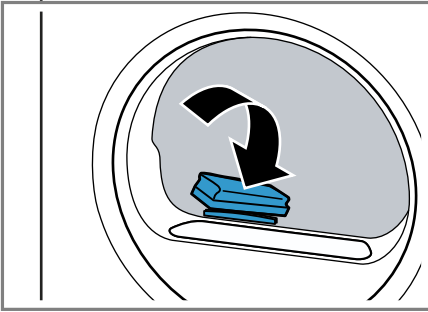
#### PAY ATTENTION!

Hard or rough objects can damage the humidity sensor.

- ▶ Do not use hard or rough objects, abrasives or steel wool for cleaning.

Remark:If you do not clean the device as described, the device function may be impaired.

1. Open the door.
2. Clean the humidity sensor with a sponge.



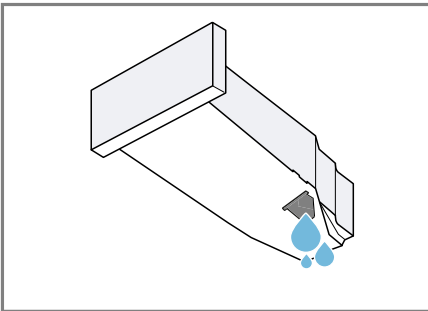
### 16.3 Filter of the condensed water container

During drying, fluff from the laundry ends up in the condensation water. The filter in the condensed water container protects the device against fluff.

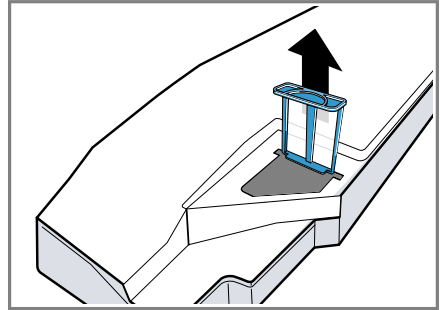
Clean the filter in the condensation container.

The filter is automatically cleaned when the condensed water container is emptied. Check the filter regularly and clean a dirty filter.

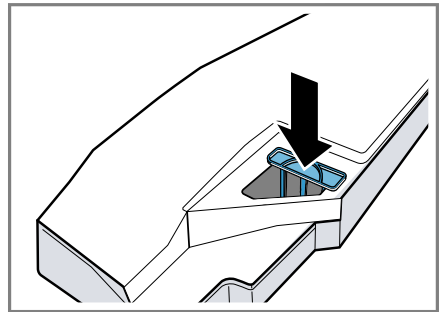
1. Emptying the condensed water container  
→ *Page 33†*



2. Remove the filter.



3. Clean the filter with running warm water or in the dishwasher.
4. Push in the filter as far as it will go.



5. Push in the condensed water container → *Page 34†*

## 17 Troubleshooting



You can remedy minor faults on the device yourself. Before contacting customer service, please refer to the troubleshooting information. This way you avoid unnecessary costs.




### WARNING

Risk of electric shock! Improper repairs are dangerous.

- ▶ Only qualified personnel may carry out repairs on the device.
- ▶ Only original spare parts may be used for repair of the device.
- ▶ If the power cord of this appliance is damaged, it must be replaced by the manufacturer, its service agent or a similarly qualified person in order to avoid a hazard.

Malfunction	Cause and Troubleshooting
"Hot" and drum running.	<p>Cooling process active.</p> <ol style="list-style-type: none"> <li>1.No malfunction.</li> <li>2.Do not change the program during the cooling process.</li> </ol> <p>Remark:The cooling process takes up to 10 minutes. You can continue to operate the device.</p>
Buzzing sound.	<p>Compressor active.</p> <ul style="list-style-type: none"> <li>▶ No error - normal operating noise.</li> </ul>
The display is off and  Start/ Pause flashes.	<p>The energy saving mode is active.</p> <ul style="list-style-type: none"> <li>▶ Press any button. aThe display lights up again.</li> </ul>
"CrE"	<p>After some time of use, the device automatically recommends simple device care.</p> <ul style="list-style-type: none"> <li>▶ → <i>Carrying out simple device maintenance on the device", page 37</i></li> </ul>
	<p>Fluff filter is dirty.</p> <ul style="list-style-type: none"> <li>▶ → <i>Cleaning the fluff filter", Page 31</i></li> </ul>
Device not working.	<p>Mains plug of the power cable is not plugged in.</p> <ul style="list-style-type: none"> <li>▶ Connect the appliance to the mains.</li> </ul> <p>The fuse in the fuse box has tripped.</p> <ul style="list-style-type: none"> <li>▶ Check the fuse in the meter box.</li> </ul> <p>Power supply has failed.</p> <ul style="list-style-type: none"> <li>▶ Check whether the interior lighting or other appliances are working.</li> </ul>

Malfunction	Cause and Troubleshooting
device pauses, but the drum running.	Cooling process active. ▶ No error - no action required.
wrinkling.	The load quantity is too high. ▶ Pay attention to the maximum load of the → <i>†Programs</i> ", Page 26†
	The laundry is left in the drum for too long after drying. 1.Remove the laundry from the drum immediately after drying. 2.Spread out the items to let them cool.
	Unsuitable program set for the type of fabric. ▶ Set the appropriate program for the type of fabric.  → <i>†Programs</i> ", Page 26
	Easy care textiles dried too long. ▶ → <i>†Change drying target</i> ", page 25† ▶ → <i>†Adjust drying target</i> ", Page 25†
	Anti-crease not activated. ▶ Activate the anti-crease program. → <i>†Buttons</i> ", Page 23
Condensation water in the condensed water reservoir, although the water drain hose is attached locks.	The device uses condensed water for automatic self-cleaning. ▶ No error - no action required.
	Water drain hose is not connected correctly. ▶ Make sure that the water drain hose is connected correctly. → <i>†Connecting the water drain hose</i> ", page 14
Program does not start.	Child lock is activated. ▶ → <i>†Deactivate child lock</i> ", page 34  ▷ Start/ Pause was not pressed. ▶ Press ▷ Start/Pause .
	No program set. 1.→ <i>†Set program</i> ", page 30† 2.→ <i>†Starting the program</i> ", Page 31†
The program duration changes during drying.	The program sequence is electronically optimized. This may lead to changes in the program duration.  ▶ No error - no action required.
Pump sound.	Condensate pump active. ▶ No error - normal operating noise.

Malfunction	Cause and Troubleshooting
Buzzing sound.	Compressor venting active. ▶ No error - normal operating noise.
Drying time is too long.	Fluff filter is dirty. ▶ → <i>†Cleaning the fluff filter", Page 31</i> Ambient temperature is higher than 30°C. ▶ Make sure the ambient temperature is below 30°C.  Ambient temperature is below 15°C. ▶ Make sure the ambient temperature is above 15°C.  Insufficient air circulation at the location of the device. ▶ Ventilate the installation site of the device.  Air inlet of the device is blocked. ▶ Make sure that the air inlet of the device is kept clear.  Heat exchanger is contaminated. ▶ → <i>†Carrying out simple device maintenance on the device", page 37</i>
	Automatic self-cleaning flushes the heat exchanger from the device. 1.No malfunction. 2.Do not pull out the condensed water container. 3.Do not abort the program.
Water is leaking.	The appliance is not leveled properly. ▶ → <i>†Adjusting the device", Page 16</i> Water drain hose is not connected correctly. ▶ Make sure that the water drain hose is connected correctly. → <i>†Connecting the water drain hose", page 14</i>
Laundry is too damp.	Unsuitable program set for the type of fabric. ▶ Set a time program for post-drying. → <i>†Programs", Page 26</i>  Power supply has failed. ▶ Check whether the interior lighting or other appliances are working.  The load quantity is too high. ▶ Pay attention to the maximum load of the → <i>†Programs", Page 26†</i>

Malfunction	Cause and Troubleshooting
Laundry is too damp.	<p>Warm laundry feels damper than it actually is at the end of the program.</p> <ol style="list-style-type: none"> <li>1. Remove the laundry from the drum immediately after drying.</li> <li>2. Spread out the items to let them cool.</li> </ol>
	<p>Inappropriate drying target set.  ▶ → <i>Change drying target</i>", page 25†</p>
	<p>Drying target not adjusted.  ▶ → <i>Adjust drying target</i>", Page 25†</p>
	<p>Loading quantity too little.  ▶ Set a time program for post-drying.  → <i>Programs</i>", Page 26</p>
	<p>Humidity sensor contaminated.  ▶ → <i>Cleaning the humidity sensor</i>", page 42†</p>
	<p>Drying process aborted and condensed water container filled.</p> <ol style="list-style-type: none"> <li>1. → <i>Emptying the condensate container</i>", page 33†</li> <li>2. → <i>Push in the condensate container</i>", page 34†</li> <li>3. → <i>Starting the program</i>", Page 31†</li> </ol>
<p>Odor has formed in the appliance</p> <p><small>Pine tree.</small></p>	<p>Stubborn contamination in the device or longer device downtime of more than one month.</p> <p>▶ → <i>Preparing intensive device maintenance on the device</i>", page 39†</p>

---

## 18 Transport, on-hit and drain

Here you will find an explanation of how to prepare the device for transport and storage. We also explain how to dispose of old appliances.

### 18.1 Preparing the device for transport

#### PAY ATTENTION!

If the device is used immediately after transport, the refrigerant in the device can cause damage to the device.

- ▶ Let the device rest for two hours immediately after transport before using it.

Tip: The device may contain residual water and drip during transport. Transport the device upright.

#### Requirements

†The condensed water container is emptied. Empty the condensate container → *Page 33*

†The device is turned on.  
→ *†Switch on device", page 30*

1. Set any program → *Page 30†*
2. Start the program  
→ *Page 31* and wait 5 minutes.

aThe condensation water has been pumped out.

3. Turn off the device.  
→ *†Switch off the device", page 31*
4. Remove the water drain hose from the connection point.  
→ *†Drainage connection types", page 15*

5. Secure the water drain hose on the device against unintentional loosening.

Make sure that the water drain hose is not kinked.

6. Emptying the condensed water container  
→ *Page 33†*


7. Push in the condensed water container → *Page 34†*

8. Disconnect the plug of the device from the mains.

aThe device is ready for transport wine.


### 18.2 Disposal of your old device

Environmentally friendly disposal means that valuable raw materials can be reused.

 **WARNING**  
Risk of health hazard!

Children can lock themselves in the appliance and endanger their lives.

- ▶ Do not install the appliance behind a door that blocks or prevents the opening of the appliance door.
- ▶ In the case of discarded appliances, remove the mains plug from the socket, then cut the mains cable and damage the lock of the appliance door so that the appliance door no longer closes.

 **WARNING**  
Risk of fire!  
The refrigerant R290 in this device is environmentally friendly but flammable and can catch fire if not properly disposed of.

- ▶ Dispose of the device properly.

- Make sure that the pipes of the cooling circuit are not damaged.

1. Unplug the power cord from the outlet.

2. Cut the power cord.

3. Dispose of the device in an environmentally friendly way.

You can obtain information about the current disposal methods from your dealer and your municipal or district council office.



This appliance is marked in accordance with the European Directive 2012/19/EU on waste electrical and electronic equipment (waste electrical and electronic equipment - WEEE). The Directive sets the framework for the take-back valid in the EU and processing of old appliances.

## 19 Customer Service

If you have any questions about use, if you are unable to remedy a malfunction of the device yourself or if the device needs to be repaired, please contact our service department. Original replacement parts that are relevant for the function in accordance with the respective Ecodesign Regulation can be obtained from our service department for a period of at least 10 years from the time the device is placed on the market within the European Economic Area.

Remark: Engaging the service within the framework of the manufacturer's warranty conditions is free of charge.

Detailed information about the warranty period and warranty conditions in your country can be obtained from our after-sales service, your dealer or on our website.

When contacting customer service, you will need the product number (E-Nr.) and the production number (FD) of the device.

The contact details of the after-sales service can be found in the supplied service list or on our website.

### 19.1 Product number (E-No.) and production number (FD)

The product number (E-Nr.) and the production number (FD) can be found on the type plate of the device.

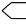
The type plate is located depending on the model:   
 † on the inside of the door.   
 † on the inside of the bottom

holding valve.   
 † on the back of the device

honeycomb.

In order to quickly find your device data and the service telephone numbers, you can write down the data.

## 20 Consumption values


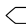

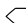
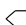
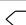
The program  Cotton eco (indicated by "arrow") is suitable for drying cotton laundry with normal humidity and from the point of view of the combined energy consumption for drying wet cotton laundry with the most efficient.

The consumption values for this program indicated on the energy label refer to a laundry moisture content of 60%.

The values indicated for other programs are guideline values and have been determined in accordance with the applicable standard EN61121.

Depending on the type of textile, the composition of the laundry to be dried, residual moisture in the textile, the degree of drying selected, the amount of load, environmental conditions and activation of additional functions, the actual values may deviate from the values indicated.

The probable program duration / Ready-in time when the program is selected on the display of the appliance, based on the delivery condition of the appliance and a spin speed in the washing machine of 1000 rpm.

Program	End- moisture vigilance †	belat- thing (kg)	centri- fuge revving number (t/ min)	Out- gangly moisture vigilance †	Pro- gram- maður (h:min)	energy- gibberish use (kWh/ cycle)
Cotton † Cupboard Dry	- 1.5	9.0	1400	50	2:59	2.07
Cotton † Cupboard Dry	- 1.5	4.5	1400	50	2:16	1.42
Cotton † Cupboard Dry	- 1.5	9.0	1000	60	3:19	2.36
Cotton † Cupboard Dry	- 1.5	4.5	1000	60	2:27	1.58
Cotton † Cupboard Dry	- 1.5	9.0	800	70	3:39	2.65
Cotton † Cupboard Dry	- 1.5	4.5	800	70	2:38	1.74
 Cotton eco	0.0	9.0	1400	50	2:38	1.77
 Cotton eco	0.0	4.5	1400	50	1:51	1.09
 Cotton eco	0.0	9.0	1000	60	2:56	2.05
 Cotton eco	0.0	4.5	1000	60	2:01	1.25
 Cotton eco	0.0	9.0	800	70	3:14	2.34
 Cotton eco	0.0	4.5	800	70	2:12	1.41
Cotton + Iron Dry 12.0		9.0	1400	50	1:47	1.19
Cotton + Iron Dry 12.0		4.5	1400	50	1:12	0,70
Cotton + Iron Dry 12.0		9.0	1000	60	2:07	1.49
Cotton + Iron Dry 12.0		4.5	1000	60	1:23	0.87
Cotton + Iron Dry 12.0		9.0	800	70	2:28	1,79

Program	End-moisture vigilance †	belathing (kg)	centrifuge revving number (l/min)	Out-gangly moisture vigilance †	Program-maduur (h:min)	energy-gibberish use (kWh/cycle)
Cotton + Iron Dry 12.0		4.5	800	70	1:34	1.03
wrinkle resistant † Cupboard Dry	2.0	3.5	800	40	1:00	0.55
wrinkle resistant † Cupboard Dry	2.0	3.5	600	50	1:09	0.67

## 21 Technical data

Device height	84.2 cm
Device width	59.8 cm
Device depth	61.3 cm
Device depth with closed door	64.8 cm
Device depth with open door	109.6 cm
Weight	56.4kg <sup>1</sup>
Maximum load thing	9.0 kg
mains voltage	220-240V, 50 Hz
⚡ Minimum input installation fuse	10 A
Rated power gene	800W
Recorded Ver- <small>to be allowed to</small>	†Off state: 0.15W †non-disabled caved in position: 0.50 W

<sup>1</sup>Depending on the device output ring

Ambient voice temperature †At least: 5°C † Maximum: 35 °C

Length of the mains connection cable 145 cm

<sup>1</sup>Depending on the device output ring

You can find more information about your model on the Internet under <https://eprel.ec.europa.eu/><sup>1</sup> † This web address refers to the official EU product database EPREL. Then follow the instructions when looking for the model. The model identification consists of the slash character of the E-number (E-No.) on the type plate. Alternatively, you will also find the model identifier in the first line of the EU energy label.

<sup>1</sup>Only applies to countries in the European Economic Area



**BOSCH**  
HOME APPLIANCES  
**SERVICE**

**[www.bosch-home.com/service](http://www.bosch-home.com/service)**

Contact data of all countries are listed in the attached service directory.

**BSH Hausgeräte GmbH**  
Carl-Wery-Strasse 34  
81739 Munich, GERMANY  
[www.bosch-home.com](http://www.bosch-home.com)

A Bosch Company

\* 9001690960\*

9001690960†020301)

NL