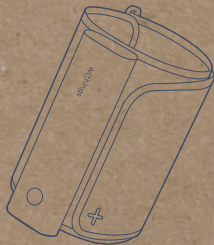


Withings BPM Connect



INSTRUCTIONS MANUAL

MANUEL D'UTILISATION | BETRIEBSANLEITUNG

EN | FR | DE

THANK YOU FOR CHOOSING WITHINGS BPM CONNECT

MERCI D'AVOIR CHOISI LE BPM CONNECT DE WITHINGS
VIELEN DANK, DASS SIE SICH FÜR WITHINGS BPM CONNECT ENTSCHIEDEN HABEN

This guide is available in additional languages at: www.withings.com/guides

FR Ce guide est disponible dans plusieurs langues sur www.withings.com/guides

DE Diese Anleitung finden Sie in weiteren Sprachen unter: www.withings.com/guides

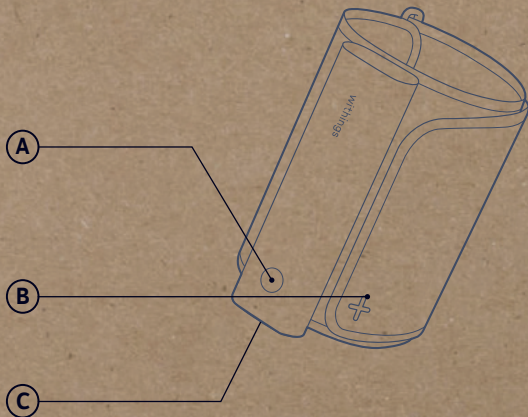
ES Esta guía está disponible en otros idiomas en: www.withings.com/guides

IT Questa guida è disponibile in altre lingue all'indirizzo: www.withings.com/guides

Overview

Vue d'ensemble | Übersicht

3



(A) Button

FR Bouton ON/OFF

DE Knopf ON/OFF

(B) Cuff

FR Brassard

DE Manschette

(C) USB plug

FR Prise USB

DE USB-Stecke

Quick start from your smartphone

Démarrage rapide depuis votre smartphone | Schnellstart über Ihr Smartphone

1

Visit go.withings.com from your smartphone or tablet, and follow the instructions to install the Health Mate app.

FR Visitez go.withings.com depuis votre smartphone ou votre tablette et suivez les instructions pour installer l'application Health Mate.

DE Besuchen Sie mit dem Browser Ihres Smartphones oder Tablets go.withings.com und folgen Sie den Anweisungen zum Installieren der Health Mate App.



2

In the app, follow the instructions to install Withings BPM Connect.

- FR** Dans l'application, suivez les instructions pour installer Withings BPM Connect.
- DE** Folgen Sie in der App den Anweisungen zur Installation von Withings BPM Connect.

How to take a blood pressure measurement

Comment prendre une mesure de tension artérielle | Eine Blutdruckmessung vornehmen

1

Sit down in a comfortable position.

FR Asseyez-vous confortablement.

DE Setzen Sie sich in einer komfortablen Position.

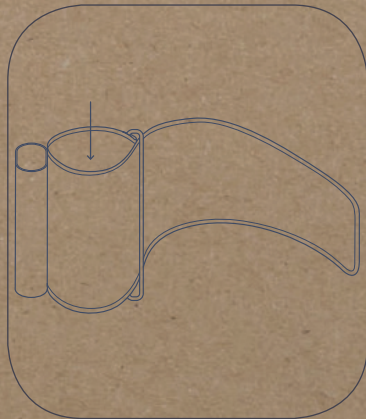


2

Unroll cuff. Place your arm inside it.

FR Déroulez votre brassard. Placez votre bras à l'intérieur.

DE Entfalten Sie Ihre Manschette. Bitte legen Sie Ihren Arm drinnen.



How to take a blood pressure measurement

Comment prendre une mesure de tension artérielle | Eine Blutdruckmessung vornehmen

3

Tighten the cuff around your arm. The tube should be positioned against your inner arm.

FR Serrez le brassard autour de votre bras. Le tube doit être placé dans le creux du bras.

DE Ziehen Sie die Manschette um den Arm. Der Schlauch sollte zur Innenseite Ihres Armes positioniert werden.

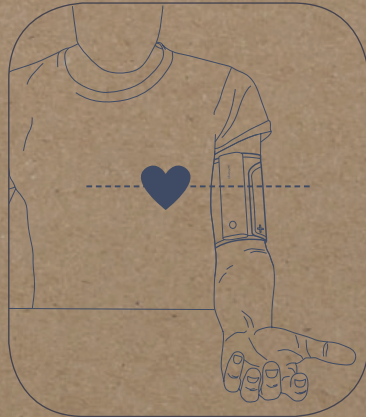


4

Place your arm on a table and level with your heart.

FR Placez votre bras sur une table, de sorte que le brassard soit au même niveau que le cœur.

DE Platzieren Sie Ihren Arm auf einem Tisch auf gleicher Ebene mit Ihrem Herz.



How to take a blood pressure measurement

Comment prendre une mesure de tension artérielle | Eine Blutdruckmessung vornehmen

10

5

Turn on your blood pressure monitor to start the measurement. You can select a simple or triple measurement with a long press on the button. Press the button again to start the measurement.

FR Allumez votre tensiomètre pour commencer la mesure. Vous pouvez sélectionner une mesure simple ou triple avec un appui long sur le bouton. Appuyez à nouveau sur le bouton pour commencer à prendre la mesure.

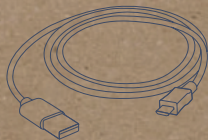
DE Schalten Sie Ihr Blutdruckmessgerät ein, um die Messung zu beginnen. Sie können eine einfache oder dreifache Messung durch langes Drücken der Taste auswählen. Drücken Sie die Taste erneut, um die Messung zu beginnen.



Box Contents

11

Contenu de la boîte | Lieferumfang



Blood Pressure Monitor

FR Tensiomètre

DE Blutdruckmessgerät

Charging cable

FR Câble de recharge

DE Ladekabel

Instructions manual

FR Manuel d'utilisation

DE Betriebsanleitung

Important information

12

Requirements

In order to use your BPM Connect, you need an iOS (10.0 or higher) or Android (6.0 and higher) device to install it. Thereafter, the product can be used in stand-alone, thanks to the Wi-Fi and Bluetooth® connections.

Important safety information

Consult your doctor during pregnancy, or if you suffer from arrhythmia and arteriosclerosis. Please read this section carefully before using the Wi-Fi Smart Blood Pressure monitor.

Intended use

The BPM Connect is a digital monitor intended for use in measuring blood pressure, heart rate. The device is intended to be used in a human adult population with an arm circumference between 9 inches to 17 inches (22 cm to 42 cm).

The BPM Connect is a medical device.

Contact your physician if hypertensive values are indicated.

General safety and precautions

- Do not forcibly bend the arm cuff.
- Do not inflate the arm cuff when it is not wrapped around your arm.
- Do not apply strong shocks and vibrations to the blood pressure monitor or drop it.
- Do not take measurement after bathing, drinking alcohol, smoking, exercising or eating.
- Do not immerse the arm cuff in water.
- Do not use with a pacemaker, a defibrillator or other electric implant.
- Use on adults only.
- Do not use on children or pets.

Android is a trademark of Google Inc.

iOS is a trademark of Apple Inc.

Caution

General usage

Always consult your doctor. Self-diagnosis of measurement results and self treatment are dangerous. People with severe blood flow problems, or blood disorders, should consult a doctor before using the blood pressure monitor. Cuff inflation can cause internal bleeding. Operational factors such as common arrhythmias, ventricular premature beats, arterial sclerosis, poor perfusion, diabetes, age, pregnancy, pre-eclampsia or renal disease can affect the performance of the automated sphygmomanometer and/or its blood pressure reading. This device is a precision measuring equipment liable to be understood by lay user but it still should be handled with care. A long exposure of the device to lint, dust or sunlight might reduce its life time or damage it. Damaged cuff or sensor might lead to incorrect measurements. No usage for USB port. The user is an intended operator. Parts in contact with the skin: cuff. Measurements can be affected by extreme temperatures, humidity & altitude.

- Do not leave the blood pressure monitor unattended with infants or persons who cannot express their consent.
- Do not use the blood pressure monitor for any purpose other than measuring blood pressure.
- Do not disassemble the blood pressure monitor.
- Do not operate the blood pressure monitor in a moving vehicle (car, airplane).
- Do not use a cellular phone near the device.
- Do not use the device with the USB cable plugged.
- Improper continuous pressure of cuff or too frequent measurements may interfere blood flow and result harmful injury to the users. Check if the use of the device does not result in prolonged impairment of your blood circulation.
- Do not apply the cuff over the users' arm bearing a wound or medical treatment and so on, as this can cause further injury.
- Cuff should be used on the arm on the side of a mastectomy.
- Use of the device can temporarily cause loss of function of simultaneously used equipment on the same limb.

Cleaning

- Do not use an alcoholic-base or solvent agent to clean the device
- Clean the device with a soft and dry cloth
- The dirt on the cuff can be cleaned by a moisten cloth and soap
- Do not flush the device and cuff with much water
- Do not dismantle the device or disconnect the cuff or try to repair by yourself. If any problem happens, refer to the distributor
- Do not operate the device under severe environment of extreme temperature or humidity, or direct sunshine
- Do not shake the unit violently
- Do not submerge the device or any of the components in water
- Do not let the device under strong shocks, such as dropping the unit on the floor

Storage

- Store the device and the components in a clean and safe location
- If storage conditions are different from the usage conditions indicated in this document, please wait 30 minutes before taking a measurement.

Maintenance

If you can't fix the problems using the troubleshooting instructions, request service from your dealer. Manufacturer will make available on requested circuit diagrams, component part lists, descriptions, calibration instructions, or other information that will assist manufacturer's staff or authorized representative for repair. It is generally recommended to have the device inspected every 2 years, to ensure proper functioning and accuracy. Do not use the device while doing maintenance steps.

Error messages

15

Error message	Causes	Countermeasures
Measurement could not be performed. Please try again. If the problem occurs again, please contact customer service.	Hardware auto-check error.	Measurement could not be performed. Please try again. If the problem occurs again, please contact customer service.
Connection error. Quit the application and reconnect your blood pressure monitor.	Communication error between the Blood Pressure Monitor and the collateral device.	<ol style="list-style-type: none">1. Push the blood pressure monitor button for 3 seconds to turn it off. Quit the application and push the blood pressure monitor button to turn it on.2. If the problem occurs again, please contact customer service.
Please wait until the cuff is totally deflated before starting a new measurement. Stay still during measurement.	<ul style="list-style-type: none">- Cuff is not deflated before measurement.- Noise interference.- Excessive user movements.	<ol style="list-style-type: none">1. Please wait until the cuff is totally deflated before starting a new measurement. Stay still during measurement.2. If the problem occurs again, please contact customer service.

Error messages

16

Error message	Causes	Countermeasures
Check that the Blood Pressure Monitor is correctly positioned on your arm and that measurement is performed in good conditions.	<ul style="list-style-type: none">- User movement, or not relaxed, or talking ...- Cuff is not correctly fastened- Cuff broken- Pump or valve failure- Pressure overflow- Noise interference- User movement, or not relaxed, or talking ...- User special characteristics- Battery level is too low	<ol style="list-style-type: none">1. Check that the Blood Pressure Monitor is correctly positioned on your arm and that measurement is performed in good conditions.2. Low battery level. Load your BPM Connect with a micro USB cable.3. If user has special characteristics, please contact your physician.4. If the problem occurs again, please contact customer service.
Low battery level.	Battery level is too low.	Load the device with the provided charging cable.

Troubleshooting

17

Problem	Remedy
The inflation action cannot be done or the air pressure cannot rise	<ol style="list-style-type: none">1. Check the cuff position and fasten the cuff correctly and remeasure the pressure again2. Check the blood pressure monitor connection to the iOS or Android device
The low battery icon is displayed on the device	Reload the device with the cable provided
The blood pressure cannot be taken and the application shows an error message	<ol style="list-style-type: none">1. Re-fasten the cuff2. Relax yourself and sit down3. Keep the cuff and heart at the same level during the measurement period4. Keep silent and still during measurement5. If the patient has severe heart beat problem, then the blood pressure may not be read correctly
Under normal measuring circumstance, the reading at home is different from that of the clinics or each measurement has various reading	<ol style="list-style-type: none">1. The variation is due to the different environments2. The blood pressure is changing according to the physiological or psychological status of the human body3. Show your recorded values to your physician

Specifications Technical data

Product description:	Digital automatic Blood Pressure Monitor
Model:	WPM05
Blood pressure measurement method:	Cuff oscillometric method
Cuff inflation:	Automatic inflation with air pump at 15 mmHg/s
Pressure sensor:	Gauge sensor
Measurement range (pressure):	0 to 285 mmHg, DIA 40 to 130 mmHg, SYS 60 to 230 mmHg
Measurement range (pulse):	40 to 180 beats/min
Accuracy (pressure):	Within +- 3 mmHg or 2% of reading
Accuracy (pulse):	Within +-5% of reading
Sensor:	Semiconductor pressure sensor
Operating conditions:	5 to 40°C, 15 to 90% RH, atmospheric 86Kpa-106kpa, altitude: 2000m
Storage and transport conditions:	-25 to 70°C, 10 to 95% RH, atmospheric 86Kpa-106kpa, altitude: 2000m

Arm type:	Use on left arm.
Power source:	5V 1A
Weight:	Approx. 245g
Accessories:	Charging cable, Instruction manual
Product life:	3 years
Wireless transmission:	Wi-Fi and BLE

Note: Specifications are subject to change without prior notice or any obligation on the parts of the manufacturer

Actuation of European directives 2002/95/EC, 2002/96/EC and 2003/108/EC, for reduction in use of dangerous substances in the electric and electronic device and for garbage disposal.

The symbol applied on the device or its packaging means that at the end of its useful life the product must not be disposed of with domestic waste.



At the end of devices useful life, the user must deliver it to the able collecting centers for electric and electronic garbage, or give back to the retailer when purchasing a new device. Disposing of the product separately prevents possible negative consequences for the environment and for health, deriving from inadequate disposal. It also allows the recovery of materials of which it's made up in order to obtain an important saving of energy and resources and to avoid negative effects to the environment and health. In case of abusive disposal of device by the user, will be applied administrative endorsements in compliance with current standard. The device and its parts is mared with regard to disposal, as appropriate, in accordance with national or regional regulations.

Version 1.0 April 2019

FCC Statement

Federal Communications Commission (FCC) Statement 15.21

You are cautioned that changes or modifications not expressly approved by the part responsible for compliance could void the user's authority to operate the equipment.

15.105(b)

This equipment has been tested and found to comply with the limits for a Class B digital device, pursuant to part 15 of the FCC rules.

These limits are designed to provide reasonable protection against harmful interference in a residential installation.

This equipment generates, uses and can radiate radio frequency energy and, if not installed and used in accordance with the instructions, may cause harmful interference to radio communications. However, there is no guarantee that interference will not occur in a particular installation.

If this equipment does cause harmful interference to radio or television reception, which can be determined by turning the equipment off and on, the user is encouraged to try to correct the interference by one or more of the following measures:

- Reorient or relocate the receiving antenna.
- Increase the separation between the equipment and receiver.

- Connect the equipment into an outlet on a circuit different from that to which the receiver is connected.
- Consult the dealer or an experienced radio/TV technician for help.

This device complies with Part 15 of the FCC Rules. Operation is subject to the following two conditions:

- 1) this device may not cause harmful interference and
- 2) this device must accept any interference received, including interference that may cause undesired operation of the device.

FCC RF Radiation Exposure Statement:

This equipment complies with FCC radiation exposure limits set forth for an uncontrolled environment. End users must follow the specific operating instructions for satisfying RF exposure compliance.

This transmitter must not be co-located or operating in conjunction with any other antenna or transmitter. This device complies with Industry Canada license-exempt RSS standard(s). Operation is subject to the following two conditions: (1) this device may not cause interference, and (2) this device must accept any interference, including interference that may cause undesired operation of the device.

RF Statement

Medical Electrical Equipment needs special precautions regarding EMC and needs to be installed and put into service according to the EMC information provided in the following. | Interference may occur in the vicinity of equipment marked with | Portable and mobile RF communication equipment (e.g. cell phones) can affect Medical Electrical Equipment. | The use of accessories and cables other than those specified may result in increased emissions or decreased immunity | The device uses RF energy only for its internal function. Therefore, its RF emissions are very low and are not likely to cause any interference in nearby electronic equipment | The device is suitable for use in all establishments, including domestic establishments and those directly connected to the public low voltage power supply network that supplies buildings used for domestic purposes | Portable and mobile RF communications equipment should be used no closer to any part of the device, including cables, than the recommended separation distance calculated from the equation applicable to the frequency of the transmitter | The device is intended for use in an electromagnetic environment in which radiated RF disturbances are controlled. Any other accessories, transducers and cables may result in increased emissions or decreased immunity and EMC performance. | The device should not be used adjacent to or stacked with other equipment and that if adjacent or stacked use is necessary, which should be observed to verify normal operation in the configuration in which it will be used. Medical Electrical Equipment needs special precautions regarding EMC and needs to be installed and put into service according to the EMC information provided in the following. Portable and mobile RF communication equipment (e.g. cell phones) can affect Medical Electrical Equipment. The use of accessories and cables other than those specified may result in increased emissions or decreased immunity of the unit.

Guidance and manufacturer's declaration-electromagnetic emissions

The Wi-Fi Smart Blood Pressure Monitor is intended for use in the electromagnetic environment specified below. The customer or the user of the Wi-Fi Smart Blood Pressure Monitor should assure that it is used in such an environment.

Emissions test	Compliance	Electromagnetic environment - guidance
CE emissions CISPR11	Group 1	The Wi-Fi Smart Blood Pressure Monitor uses RF energy only for its internal function. Therefore, its RF emissions are very low and are not likely to cause any interference in nearby electronic equipment.
RE emissions CISPR11	Class B	
Harmonic emissions IEC 61000-3-2	Not applicable	The Wi-Fi Smart Blood Pressure Monitor is suitable for use in all establishments, including domestic establishments and those directly connected to the public low-voltage power supply network that supplies buildings used for domestic purposes.
Voltage fluctuations/ Flicker emissions IEC 61000-3-3	Not applicable	

Declaration – electromagnetic emissions and immunity

23

for equipment and systems that are not life-supporting and are specified for use only in a shielded location

The Wi-Fi Smart Blood Pressure Monitor declaration electromagnetic immunity

The Wi-Fi Smart Blood Pressure Monitor is intended for use in the electromagnetic environment specified below.

The customer or the user of the Wi-Fi Smart Blood Pressure Monitor should assure that it is used in such an environment.

Immunity test	IEC 60601 test level	Compliance level	Electromagnetic environment – guidance
Conducted RFIEC 61000-4-6	3 Vrms 150 kHz to 80 MHz	N/A N/A	N/A
Radiated RF IEC 61000-4-3	3 V/m 80 MHz to 2.5 GHz	N/A	Portable and mobile RF communications equipment should be used no closer to any part of the EQUIPMENT or SYSTEM including cables, than the recommended separation distance calculated from the equation applicable to the frequency of the transmitter. Interference may occur in the vicinity of equipment marked with the following symbol.

Declaration – electromagnetic emissions and immunity

for equipment and systems that are not life-supporting and are specified for use only in a shielded location

Declaration – electromagnetic immunity

The Wi-Fi Smart Blood Pressure Monitor is intended for use in the electromagnetic environment specified below.

The customer or the user of the Wi-Fi Smart Blood Pressure Monitor should assure that it is used in such an environment.

Immunity test	IEC 60601 test level	Compliance level	Electromagnetic environment – guidance
Electrostatic discharge (ESD) IEC 61000-4-2	Contact: ± 8 kV Air: ± 2 kV, ± 4 kV, ± 8 kV, ± 15 kV	Contact: ± 8 kV Air: ± 2 kV, ± 4 kV, ± 8 kV, ± 15 kV	Floors should be wood, concrete or ceramic tile. If floors are covered with synthetic material, the relative humidity should be at least 30 %.
Electrical fast transient/burst IEC 61000-4-4	2 kV for power supply lines 1 kV for input/output lines	N/A N/A	Mains power quality should be that of a typical commercial or hospital environment.
Surge IEC 61000-4-5	1 kV differential mode 2 kV common mode	N/A N/A	A Mains power quality should be that of a typical commercial or hospital environment.

Voltage dips, short interruptions and voltage variations on power supply input lines IEC 61000-4-11	-5 % UT(95% dip in UT) for 0.5 cycle, -40 % UT (60 % dip in UT) for 5 cycles, -70 % UT(30 % dip in UT) for 25 cycles, -5 % UT (95 % dip in UT) for 5 sec	N/A	Mains power quality should be that of a typical commercial or hospital environment. If the user of the EQUIPMENT or SYSTEM requires continued operation during power mains interruptions, it is recommended that the EQUIPMENT or SYSTEM be powered from an uninterruptible power supply or a battery.
Power frequency (50/60 Hz) magnetic field IEC 61000-4-8	30 A/m 50 Hz or 60 Hz	30 A/m 50 Hz and 60 Hz	Power frequency magnetic fields should be at levels characteristic of a typical location in a typical commercial or hospital environment.

Informations importantes

26

Configuration requise

Vous devez disposer d'iOS 10 (ou d'une version plus récente) ou d'Android 6.0 (ou d'une version plus récente) pour utiliser votre BPM Connect. Le produit peut ensuite être utilisé indépendamment par connexion Wi-Fi et Bluetooth*.

Information importante relative à la sécurité

Si vous êtes enceinte, souffrez d'arythmie cardiaque ou d'artériosclérose, consultez votre médecin avant d'utiliser le produit. Veuillez lire attentivement cette section avant d'utiliser le tensiomètre connecté Wi-Fi.

Utilisation prévue

BPM Connect est un moniteur électronique destiné à mesurer la pression artérielle et le rythme cardiaque. Cet appareil est prévu pour une utilisation sur une population adulte humaine avec un tour de bras compris entre 22 cm et 42 cm.

BPM Connect est un dispositif médical.

Contactez votre médecin si les valeurs indiquent une hypertension. Contactez votre médecin si les valeurs indiquent une hypertension, une fibrillation auriculaire (FA) ou une valvulopathie.

Précautions générales et avertissements de sécurité

- Ne pas forcer sur le brassard pour le plier.
- Ne pas gonfler le brassard tant qu'il n'est pas autour du bras.
- Ne pas soumettre le tensiomètre à des chocs ou vibrations importants et ne pas le laisser tomber.
- Ne pas prendre de mesure après un bain, avoir consommé de l'alcool, fumé, fait de l'exercice ou mangé.
- Ne pas plonger le brassard dans l'eau.
- Ne pas utiliser avec un pacemaker, un défibrillateur ou un autre implant électrique.
- Utilisation réservée aux adultes. Ne pas utiliser sur les enfants ou les animaux de compagnie.

Android est une marque de Google Inc. iOS est une marque d'Apple Inc.

Utilisation générale

Consultez toujours votre médecin. Il est dangereux de s'auto-diagnostiquer et de s'auto-traiter à partir des résultats des mesures. Les personnes souffrant de graves problèmes de la circulation ou de troubles sanguins doivent consulter un médecin avant d'utiliser le tensiomètre. Le gonflage du brassard peut provoquer une hémorragie interne. Les facteurs opérationnels tels que les arythmies communes, les extrasystoles ventriculaires, la sclérose artérielle, une mauvaise vascularisation, le diabète, l'âge, la grossesse, une pré-éclampsie ou une maladie rénale peuvent affecter le fonctionnement du sphygmomanomètre automatisé et/ou de sa mesure de la pression artérielle. Ce dispositif est un équipement de mesure de précision dont l'utilisation est à la portée des utilisateurs non professionnels, mais qui doit être manipulé avec précaution. Une exposition prolongée du dispositif aux peluches, à la poussière ou à la lumière du soleil peut réduire sa durée de vie ou l'endommager. Un brassard ou un capteur endommagés peuvent entraîner des mesures incorrectes. Le port USB ne doit pas être utilisé. L'utilisateur est un opérateur désigné. Parties en contact avec la peau : brassard et électrodes. Les températures extrêmes, l'humidité et l'altitude peuvent affecter les mesures.

- Ne pas laisser le tensiomètre sans surveillance à la portée de jeunes enfants ou de personnes incapables d'exprimer leur consentement.
- Ne pas utiliser le tensiomètre à d'autres fins que la mesure de la pression artérielle.
- Ne pas démonter le tensiomètre.
- Ne pas utiliser le tensiomètre dans un véhicule en mouvement (voiture, avion).
- Ne pas utiliser de téléphone cellulaire à proximité de l'appareil.
- Ne pas utiliser l'appareil avec le câble USB branché.
- Une pression continue incorrecte du brassard ou des mesures trop fréquentes peuvent entraver la circulation sanguine et entraîner des lésions graves pour les utilisateurs. Vérifiez si l'utilisation du dispositif n'entraîne pas une insuffisance veineuse durable.
- N'appliquez pas le brassard sur un bras blessé ou faisant l'objet d'un traitement médical, sous peine d'aggraver la blessure.
- En cas de mastectomie, le brassard doit être utilisé sur le bras du côté où elle a été pratiquée.
- L'utilisation du dispositif sur un membre déjà porteur d'un équipement peut entraîner un dysfonctionnement temporaire de cet équipement.

Nettoyage

- Ne pas utiliser d'agent à base d'alcool ou de solvant pour nettoyer le dispositif
- Nettoyez l'appareil à l'aide d'un chiffon doux et sec
- La saleté sur le brassard peut être nettoyée à l'aide d'un chiffon humide et de savon
- Le dispositif et le brassard ne doivent pas être rincés à l'eau abondante
- Le dispositif ne doit pas être démonté. Ne pas tenter de débrancher le brassard ni de le réparer soi-même. En cas de problème, contacter le distributeur
- Ne pas utiliser le dispositif dans un environnement impliquant des températures ou une humidité extrêmes, ni à la lumière directe du soleil
- Le dispositif ne doit pas être secoué violemment
- Ne pas plonger l'appareil ni ses composants dans l'eau
 - Ne pas soumettre le dispositif à des chocs importants, notamment en le laissant tomber sur le sol

Rangement

- Le dispositif et ses composants doivent être rangés dans un endroit propre et sûr.
- Si les conditions de stockage sont différentes des

conditions d'utilisation indiquées dans ce document, veuillez patienter 30 minutes avant de prendre une mesure.

Entretien

En cas de problème, suivre les instructions de dépannage. Si le problème persiste, contactez votre revendeur. Le fabricant fournira sur demande les schémas de circuits, listes de composants, descriptifs, instructions d'étalonnage ou autres informations qui aideront le personnel du fabricant ou son représentant autorisé lors de la réparation. Il est généralement recommandé de faire inspecter l'appareil tous les 2 ans, afin de s'assurer de son bon fonctionnement et de sa précision. Ne pas utiliser l'appareil pendant les procédures d'entretien.

Messages d'erreur

29

Message d'erreur	Causes	Solutions
Échec de la mesure. Veuillez réessayer. Si ce problème persiste, contactez le service client.	Erreur d'auto configuration du tensiomètre.	Échec de la mesure. Veuillez réessayer. Si ce problème persiste, contactez le service client.
Erreur de connexion. Quittez l'application et reconnectez le tensiomètre.	Erreur de communication entre le tensiomètre et le dispositif collatéral.	<ol style="list-style-type: none">1. Appuyez sur le bouton du tensiomètre pendant 3 secondes pour l'éteindre. Quittez l'application et appuyez sur le bouton du tensiomètre pour le mettre en marche.2. Si ce problème persiste, contactez le service client.
Attendez que le brassard soit complètement dégonflé avant de lancer une nouvelle mesure. Restez immobile pendant la mesure.	<ul style="list-style-type: none">• Le brassard n'est pas dégonflé avant le début de la mesure.• Interférence sonore.• Mouvements excessifs de l'utilisateur.	<ol style="list-style-type: none">1. Attendez que le brassard soit complètement dégonflé avant de lancer une nouvelle mesure. Restez immobile pendant la mesure.2. Si ce problème persiste, contactez le service client.

Message d'erreur	Causes	Solutions
Vérifiez que le tensiomètre est bien positionné sur le bras et que la mesure est effectuée dans de bonnes conditions.	L'utilisateur a bougé, n'était pas assez détendu, ou parlait... Le brassard n'est pas fixé correctement Brassard cassé Défaillance de la pompe ou de la valve Suppression Interférence sonore Singularités de l'utilisateur Batterie insuffisamment chargée	<ol style="list-style-type: none">1. Vérifiez que le tensiomètre est bien positionné sur le bras et que la mesure est effectuée dans de bonnes conditions.2. Batterie faible. Chargez votre BPM Connect à l'aide d'un câble micro USB.3. Si l'utilisateur présente des spécificités, veuillez demander l'avis d'un médecin.4. Si ce problème persiste, contactez le service client.
Batterie faible.	Batterie insuffisamment chargée.	Chargez l'appareil à l'aide du câble de recharge fourni.

Problème	Solutions
Gonflage ou augmentation de la pression d'air impossibles	<ol style="list-style-type: none">1. Vérifiez la position du brassard et fixez-le avant de mesurer à nouveau la pression2. Vérifiez la connexion du tensiomètre à l'appareil iOS ou Android
L'icône de batterie déchargée s'affiche sur l'appareil	Rechargez l'appareil à l'aide du câble fourni
La mesure de la pression est impossible et l'application affiche un message d'erreur	<ol style="list-style-type: none">1. Resserrez le brassard2. Asseyez-vous et détendez-vous3. Le brassard doit rester au niveau du cœur pendant la mesure4. Restez immobile et ne faites pas de bruit pendant la mesure5. Si le patient souffre d'un problème cardiaque grave, la lecture de la pression artérielle sera peut-être incorrecte
Dans des circonstances de mesure normales, la lecture à domicile est différente de celle des établissements médicaux ou chaque mesure donne des résultats différents	<ol style="list-style-type: none">1. L'écart est dû au passage d'un environnement à l'autre2. La pression artérielle varie en fonction de l'état physiologique ou psychologique du corps humain3. Montrez les valeurs enregistrées à votre médecin

Mise au rebut

32

Mise à jour des Directives européennes 2002/95/CE, 2002/96/CE et 2003/108/CE, pour une réduction de l'utilisation de substances dangereuses dans les appareils électriques et électroniques et en vue de la mise au rebut des déchets. Le symbole apposé sur l'appareil ou son emballage signifie qu'une fois arrivé en fin de vie, ce produit ne doit pas être jeté en même temps que les déchets domestiques.



Une fois l'appareil arrivé en fin de vie, l'utilisateur doit le porter dans un point de collecte de déchets électriques et électroniques, ou le rapporter au revendeur au moment de l'achat d'un nouvel appareil. Le tri des déchets évite tout risque de conséquences potentiellement néfastes pour l'environnement et la santé. Il permet de récupérer les matériaux en vue de leur recyclage dans un souci d'économie de l'énergie et des ressources, mais aussi de réduction des effets négatifs pour l'environnement et la santé. Le non-respect des règles de tri ou de recyclage des déchets est passible d'une contravention. Les consignes de mise au rebut doivent être indiquées sur ce produit par un marquage clair, conformément à la réglementation en vigueur.

Version 1.0 Avril 2019

Spécifications et caractéristiques techniques

33

Description du produit	Tensiomètre automatique électronique
Modèle	WPM05
Méthode de mesure de la pression artérielle	Méthode oscillométrique avec brassard
Gonflage du brassard	Gonflage automatique avec pompe à air à 15 mmHg/s
Capteur de pression	Capteur à jauge
Plage de mesure (pression)	0 to 285 mmHg, DIA 40 to 130 mmHg, SYS 60 to 230 mmHg
Plage de mesure (pouls)	40 à 180 pulsations/min
Précision (pression)	+/- 3 mmHg ou 2 % de la valeur affichée
Précision (pouls)	5 % de la valeur affichée
Capteur	Capteur de pression à semi-conducteur
Conditions d'utilisation	de 5 à 40 °C, à une humidité relative comprise entre 15 et 90 % et une pression atmosphérique comprise entre 86 Kpa et 106 Kpa. Altitude maximum : 2 000 m

Spécifications et caractéristiques techniques

34

Conditions pour le rangement et le transport	de -25 à 70 °C, à une humidité relative comprise entre 10 et 95 % et une pression atmosphérique comprise entre 86 Kpa et 106 Kpa. Altitude maximum : 2 000 m
Côté	S'utilise sur le bras gauche
Source d'alimentation	5V 1A
Poids	Environ 245 g
Accessoires	Câble de recharge, manuel d'instructions
Durée de vie du produit	3 ans
Transmission sans fil	Wi-Fi et BLE

Remarque : Les spécifications sont susceptibles d'être modifiées sans préavis ni obligation de la part du fabricant

Déclaration de la FCC (Federal Communications Commission)

35

Déclaration de la FCC (Federal Communications Commission) 15.21

Les modifications apportées à cet équipement sans être expressément approuvées par la partie responsable peuvent annuler l'autorisation de la FCC de faire fonctionner cet équipement.

15.105 (b)

Les résultats des essais prouvent que cet équipement respecte les restrictions relatives aux appareils électroniques de Classe B, conformément à la section 15 des règles de la FCC.

Ces restrictions visent à garantir une protection raisonnable contre les interférences nocives lorsque l'équipement est utilisé en zone résidentielle. Cet équipement génère, utilise et peut dégager de l'énergie de radiofréquence et, s'il n'est pas installé et utilisé conformément aux instructions du fabricant, provoquer des interférences préjudiciables aux communications radio. L'absence d'interférence dans une installation spécifique n'est toutefois pas garantie.

Si cet équipement provoque des interférences sur la réception radio ou télévisée, ce qui peut être vérifié en l'éteignant, puis en le rallumant, l'utilisateur est invité à corriger les interférences en prenant au moins l'une des mesures suivantes :

- Réorientation ou repositionnement de l'antenne de réception.
- Augmentation de la distance entre l'équipement et le récepteur.

- Branchement de l'équipement sur une prise d'un circuit autre que celui auquel le récepteur est connecté.

- Si vous avez besoin d'aide, contactez le revendeur ou un technicien radio/TV expérimenté.

Cet appareil est conforme à la Partie 15 des règles FCC. L'utilisation est soumise aux deux conditions suivantes :

(1) cet appareil ne cause pas d'interférence nocive et

(2) cet appareil doit accepter toute interférence reçue, y compris une interférence pouvant causer un fonctionnement indésirable.

Déclaration d'exposition au rayonnement RF de la FCC :

Ce matériel est conforme aux limites relatives à l'exposition aux radiations définies par la FCC, établies pour un environnement non contrôlé. L'utilisateur final doit se conformer aux instructions d'utilisation spécifiques afin de satisfaire aux conditions de conformité concernant l'exposition aux radiofréquences.

Ce transmetteur ne doit pas être placé à côté d'un(e) autre antenne ou transmetteur, ni être utilisé en association avec de tels dispositifs. Cet appareil est conforme à la (aux) norme(s) RSS exempte(s) de licence d'Industry Canada.

L'utilisation est soumise aux deux conditions suivantes : (1) Cet appareil ne cause pas d'interférence nocive, et (2) Cet appareil doit accepter toute interférence reçue, y compris une interférence pouvant causer un fonctionnement indésirable.

Déclaration d'exposition au rayonnement RF

Les équipements électriques médicaux nécessitent des précautions particulières en ce qui concerne la CEM et doivent être installés et mis en service conformément aux informations sur la CEM fournies ci-dessous. | Des interférences peuvent se produire à proximité des équipements portant la mention | Les équipements de communication RF portables et mobiles (par exemple les téléphones cellulaires) peuvent affecter les équipements électriques médicaux. | L'utilisation d'accessoires et de câbles autres que ceux spécifiés peut entraîner une augmentation des émissions ou une réduction de l'immunité | L'appareil utilise de l'énergie RF uniquement pour son fonctionnement interne. Par conséquent, ses émissions RF sont très faibles et peu susceptibles de provoquer des interférences avec les équipements électroniques à proximité | L'appareil est adapté pour une utilisation dans tous les établissements, y compris les établissements domestiques et ceux directement connectés au réseau électrique public basse tension qui alimente les bâtiments utilisés à des fins domestiques | Les équipements de communication RF portatifs et mobiles doivent être utilisés au moins à la distance

recommandée d'une partie de l'appareil, y compris des câbles, calculée à partir de l'équation applicable à la fréquence de l'émetteur | L'appareil est destiné à une utilisation dans un environnement électromagnétique dans lequel les perturbations RF rayonnées sont contrôlées. Tout autre accessoire, transducteur ou câble peut entraîner une augmentation des émissions ou une diminution de l'immunité et des performances CEM. | L'appareil ne doit pas être utilisé à proximité d'un autre appareil, ni posé sur ou sous un autre appareil. Si une telle configuration est inévitable, des contrôles devront être réalisés afin de vérifier le bon fonctionnement. Les équipements électriques médicaux nécessitent des précautions particulières en ce qui concerne la CEM et doivent être installés et mis en service conformément aux informations sur la CEM fournies ci-dessous. Les équipements de communication RF portables et mobiles (par exemple les téléphones cellulaires) peuvent affecter les équipements électriques médicaux. L'utilisation d'accessoires et de câbles autres que ceux spécifiés peut entraîner une augmentation des émissions ou une réduction de l'immunité.

Conseils et déclaration du fabricant - émissions électromagnétiques

Ce tensiomètre connecté est destiné à une utilisation dans l'environnement électromagnétique ci-dessous. Il incombe au client ou à l'utilisateur de veiller à l'utiliser dans l'environnement spécifié.

Test d'émissions	Conformité	Environnement électromagnétique - conseils
Émissions CE CISPR11	Groupe 1	Le tensiomètre connecté Wi-Fi utilise l'énergie RF uniquement pour son fonctionnement interne. Par conséquent, ses émissions RF sont très faibles et donc peu susceptibles de provoquer des interférences à proximité d'équipements électroniques.
Émissions RE CISPR11	Classe B	
Émissions harmoniques CEM 61000-3-2	Non applicable	Le tensiomètre connecté Wi-Fi est adapté pour une utilisation dans tous les établissements, y compris dans les établissements résidentiels et ceux directement raccordés au réseau électrique public qui alimente les bâtiments résidentiels.
Variations de tensions / émissions de scintillement CEI 61000-3-3	Non applicable	

Déclaration - Émissions électromagnétiques et immunité

pour les équipements et systèmes non vitaux et spécifiés pour une utilisation uniquement dans un endroit protégé

Déclaration d'immunité électromagnétique pour le tensiomètre connecté Wi-Fi

Ce tensiomètre connecté est destiné à une utilisation dans l'environnement électromagnétique ci-dessous.

Il incombe au client ou à l'utilisateur de veiller à l'utiliser dans l'environnement spécifié.

Test d'immunité	Niveau de test CEM 60601	Niveau de conformité	Environnement électromagnétique - conseils
RF transmises par conduction 61000-4-6	3 Vrms 150 kHz à 80 MHz	S/O S/O	S/O
Radiated RF IEC 61000-4-3	3 V/m 80 MHz to 2.5 GHz	S/O	Les équipements de communication RF portables et mobiles doivent être utilisés au moins à la distance recommandée de tout ÉQUIPEMENT ou SYSTÈME, calculée à partir de l'équation applicable à la fréquence de l'émetteur. Risque d'interférence à proximité d'équipements sur lesquels le symbole suivant est apposé.

Déclaration - immunité électromagnétique

Ce tensiomètre connecté est destiné à une utilisation dans l'environnement électromagnétique ci-dessous.
Il incombe au client ou à l'utilisateur de veiller à l'utiliser dans l'environnement spécifié.

Test d'immunité	Niveau de test CEM 60601	Niveau de conformité	Environnement électromagnétique - conseils
Décharge électrostatique (ESD) CEM 61000-4-2	Contact : ±8 kV Air : ±2 kV, ±4 kV, ±8 kV, ±15 kV	Contact : ±8 kV Air : ±2 kV, ±4	Les sols doivent être en bois, en béton ou en carreaux de céramique. Si les sols sont recouverts d'un matériau synthétique, l'humidité relative doit être de 30 % au minimum.
Surtension électrique rapide transitoire/ pic de tension CEM 61000-4-4	2 kV pour les lignes d'alimentation 1 kV pour les lignes d'entrée/de sortie	S/O S/O	L'alimentation doit être d'une qualité identique à celle spécifiée en environnement commercial ou hospitalier.
Surtension CEM 61000-4-5	Mode différentiel 1 kV Mode commun 2 kV	S/O S/O	L'alimentation doit être d'une qualité identique à celle spécifiée en environnement commercial ou hospitalier.
Chutes de tension, brèves interruptions et variations de tension sur les lignes d'entrée d'alimentation CEM 61000-4-11	-5 % UT (95 % chute UT) (60 % chute UT) pour 5 cycles, -70 % UT (30 % chute UT) pour 25 cycles, -5 % UT (95 % chute UT) pendant 5 sec	S/O	L'alimentation doit être d'une qualité identique à celle spécifiée en environnement commercial ou hospitalier. Si l'utilisateur de l'ÉQUIPEMENT ou du SYSTÈME a besoin d'utiliser l'appareil en continu en cas d'interruption de l'alimentation électrique, nous recommandons un branchement sur une alimentation interruptible ou une batterie.
Fréquence d'alimentation (50/60 Hz) champ magnétique CEM 61000-4-8	30 A/m 50 Hz ou 60 Hz	30 A/m 50 Hz et 60 Hz	Les niveaux des champs magnétiques de fréquence d'alimentation doivent être conformes à ceux spécifiés pour un environnement commercial ou hospitalier.

Wichtige Informationen

40

Anforderungen

BPM Connect muss auf einem iOS- (10.0 oder höher) oder Android-Gerät (6.0 oder höher) installiert werden. Nach der Installation kann das Produkt über WLAN- und Bluetooth®-Verbindungen eigenständig genutzt werden.

Wichtige Sicherheitshinweise

Bitte sprechen Sie mit Ihrem Arzt, wenn Sie schwanger sind oder unter Herzrhythmusstörungen oder Arteriosklerose leiden. Lesen Sie diesen Abschnitt vor der Verwendung des intelligenten Blutdruckmessgeräts.

Verwendungszweck

BPM Connect ist ein digitales Messgerät, das für Blutdruck- und Herzfrequenzmessungen. Es ist für Erwachsene mit einem Armumfang von 22–42 cm ausgelegt. BPM Connect ist ein medizinisches Gerät.

Wenden Sie sich bitte an Ihren Arzt, falls hypertensive Werte angezeigt werden. Bitte wenden Sie sich an Ihren Arzt, falls hypertensive Werte, Vorhofflimmern oder Herzklappenfehler angezeigt werden.

Allgemeine Sicherheits- und Vorsichtsmaßnahmen

- Biegen Sie die Armmanschette nicht gewaltsam.
- Pumpen Sie sie erst auf, wenn Sie an Ihrem Arm anliegt. - Vermeiden Sie Schock oder starke Vibrationen, und lassen Sie das Messgerät nicht fallen.
- Nehmen Sie keine Messungen nach dem Baden, Alkoholgenuß, Rauchen oder Sport oder nach dem Essen vor.
- Tauchen Sie die Armmanschette nicht in Wasser.
- Verwenden Sie das Gerät nicht mit einem Herzschrittmacher, Defibrillator oder anderen elektrischen Implantaten.
- Nur bei Erwachsenen anwenden. Nicht für Kinder oder Haustiere geeignet.

Android ist eine Marke von Google Inc. iOS ist eine Marke von Apple Inc.

Allgemeine Verwendung

Bitte wenden Sie sich grundsätzlich an Ihren Arzt. Die Eigendiagnose und -behandlung anhand von Messergebnissen ist gefährlich. Bei Durchblutungsproblemen oder Blutkrankheiten sollten Sie sich vor der Verwendung des Blutdruckmessgeräts an einen Arzt wenden. Das Aufpumpen der Manschette kann zu inneren Blutungen führen. Die Funktion des Blutdruckmessgeräts und die Messwerte können durch Faktoren wie Herzrhythmusstörungen, ventrikuläre Extrasystolen, Arteriosklerose, schlechte Durchblutung, Diabetes, Alter, Schwangerschaft, Präeklampsie oder Nierenleiden beeinträchtigt werden. Dieses Präzisionsmessgerät ist für medizinische Laien gedacht, sollte aber trotzdem vorsichtig behandelt werden. Es kann zu einer Verkürzung der Lebensdauer und zu Beschädigungen kommen, wenn das Gerät über einen längeren Zeitraum Sonneneinstrahlung, Fusseln oder Staub ausgesetzt ist. Eine Beschädigung der Manschette oder des Sensors kann zu falschen Messungen führen. Nicht für USB-Anschlüsse. Der Nutzer bedient das Gerät dem Verwendungszweck angemessen selbst. Manschette und Elektroden sollten die Haut berühren. Messungen können durch extreme Temperaturen, Feuchtigkeit und Höhe beeinflusst werden.

- Überlassen Sie das Blutdruckmessgerät nicht unbeaufsichtigt Kleinkindern oder Personen, die keine Zustimmung äußern können.
- Verwenden Sie es ausschließlich zur Blutdruckmessung.
- Nehmen Sie es nicht auseinander.
- Verwenden Sie das Blutdruckmessgerät nicht in sich bewegenden Fahrzeugen (Auto, Flugzeug).
- Verwenden Sie kein Mobiltelefon in der Nähe des Geräts.
- Verwenden Sie das Gerät nicht mit angeschlossenem USB-Kabel.
- Unsachgemäßer kontinuierlicher Druck der Manschette oder zu häufige Messungen können sich auf die Durchblutung auswirken und zu Verletzungen führen. Vergewissern Sie sich, dass es durch die Verwendung des Geräts nicht zu andauernder Beeinträchtigung Ihrer Durchblutung kommt.
- Legen Sie die Manschette nicht an, wenn der Arm verletzt ist oder gerade medizinisch behandelt wird, um weitere Verletzungen zu vermeiden.
- Die Manschette sollte auf der Seite der Mastektomie angelegt werden.
- Bei Verwendung des Geräts kann es zu einer zeitweisen Unterbrechung der Funktion von Geräten kommen, die gleichzeitig am selben Arm anliegen.

Reinigen

- Reinigen Sie das Gerät nicht mit alkohol- oder lösmittelhaltigen Produkten.
- Wischen Sie es mit einem weichen, trockenen Tuch ab.
- Verschmutzungen der Manschette können mit einem feuchten Tuch und Seife entfernt werden.
- Spülen Sie das Gerät und die Manschette nicht mit übermäßig viel Wasser ab.
- Nehmen Sie das Gerät nicht auseinander, entfernen Sie die Manschette nicht, und versuchen Sie nicht, das Messgerät selbst zu reparieren. Wenden Sie sich bei Problemen an den Händler.
- Verwenden Sie das Gerät nicht bei extremen Temperaturen oder Feuchtigkeit oder bei direkter Sonneneinstrahlung.
- Schütteln Sie das Gerät nicht übermäßig.
- Tauchen Sie das Gerät und seine Komponenten nicht in Wasser. - Vermeiden Sie Schocks, zum Beispiel durch Fallenlassen.

Aufbewahrung

- Bewahren Sie das Gerät an einem sauberen, sicheren Ort auf.
- Wurde das Gerät unter anderen als den in diesem Dokument für die Verwendung angegebenen Bedingungen aufbewahrt, so warten Sie bitte 30 Minuten, bevor Sie die erste Messung durchführen.

Wartung

Wenden Sie sich an Ihren Händler, wenn Sie das Problem mithilfe der Anweisungen zur Fehlerbehebung nicht lösen können. Auf Anfrage stellt der Hersteller Mitarbeitern oder autorisierten Vertretern Schaltpläne, Listen der Einzelteile, Beschreibungen, Kalibrierungsanweisungen und andere Informationen für die Reparatur zur Verfügung. Generell wird empfohlen, das Gerät alle 2 Jahre überprüfen zu lassen, um die ordnungsgemäße Funktion und Genauigkeit zu gewährleisten. Verwenden Sie das Gerät nicht, während Sie Schritte zur Wartung durchführen.

Fehlermeldung	Ursachen	Gegenmaßnahmen
<p>Messung konnte nicht durchgeführt werden. Bitte versuchen Sie es noch einmal. Sollte dieses Problem erneut auftreten, kontaktieren Sie bitte den Kundendienst.</p>	<p>Hardware Auto-Check Fehler.</p>	<p>Messung konnte nicht durchgeführt werden. Bitte versuchen Sie es noch einmal. Sollte dieses Problem erneut auftreten, kontaktieren Sie bitte den Kundendienst.</p>
<p>Verbindungsfehler. Beenden Sie die App und verbinden Sie Ihr Blutdruckmessgerät erneut.</p>	<p>Kommunikationsfehler zwischen dem Blutdruckmessgerät und dem Zusatzgerät.</p>	<p>1. Drücken Sie 3 Sekunden lang die Taste, um das Blutdruckmessgerät auszuschalten. Beenden Sie die App und drücken Sie die Taste zum Einschalten des Blutdruckmessgeräts. 2. Sollte dieses Problem erneut auftreten, kontaktieren Sie bitte den Kundendienst.</p>
<p>Beginnen Sie mit der Messung erst, wenn die Manschette ganz leer ist. Bewegen Sie sich während der Messung nicht.</p>	<ul style="list-style-type: none">• Manschette wird vor dem Messen nicht entleert.• Störgeräusche.• Übermäßige Bewegungen des Nutzers.	<p>1. Beginnen Sie mit der Messung erst, wenn die Manschette ganz leer ist. Bewegen Sie sich während der Messung nicht. 2. Sollte dieses Problem erneut auftreten, kontaktieren Sie bitte den Kundendienst.</p>

Fehlermeldung	Ursachen	Gegenmaßnahmen
Überprüfen Sie, ob das Blutdruckmessgerät richtig sitzt und die Messung unter geeigneten Bedingungen vorgenommen wurde.	Nutzer bewegt sich, ist nicht entspannt, redet ... Manschette liegt nicht richtig an Manschette ist kaputt Problem mit Pumpe oder Ventil Zu viel Druck Störgeräusche Nutzerspezifische Ursache Batterie ist zu schwach	1. Überprüfen Sie, ob das Blutdruckmessgerät richtig sitzt und die Messung unter geeigneten Bedingungen vorgenommen wurde. 2. Schwache Batterie. Laden Sie BPM Connect mit einem Micro-USB-Kabel. 3. Wenden Sie sich bei nutzerspezifischen Besonderheiten bitte an Ihren Arzt. 4. Sollte dieses Problem erneut auftreten, kontaktieren Sie bitte den Kundendienst.
Schwache Batterie.	Batterie ist zu schwach.	Laden Sie das Gerät über das mitgelieferte Ladekabel auf.

Problem	Behebung
Die Manschette kann nicht aufgepumpt werden bzw. der Luftdruck steigt nicht.	<ol style="list-style-type: none">1. Stellen Sie sicher, dass die Manschette richtig sitzt, befestigen Sie sie entsprechend und messen Sie den Druck erneut.2. Überprüfen Sie die Verbindung des Blutdruckmessgeräts zum iOS- oder Android-Gerät.
Auf dem Gerät wird ein niedriger Batteriestand angezeigt	Laden Sie das Gerät über das mitgelieferte Kabel auf
Der Blutdruck wird nicht gemessen, die App zeigt eine Fehlermeldung an	<ol style="list-style-type: none">1. Legen Sie die Manschette erneut an2. Entspannen Sie sich und setzen Sie sich hin3. Achten Sie darauf, dass sich die Manschette während der Messung auf Herzhöhe befindet4. Bewegen Sie sich während der Messung nicht und reden Sie nicht5. Bei schwerwiegenden Herzrhythmusstörungen wird der Blutdruck möglicherweise nicht richtig gemessen
Unter normalen Messbedingungen unterscheidet sich der Wert bei zu Hause durchgeführten Messungen von dem bei vom Arzt durchgeführten Messungen. Die Messwerte variieren.	<ol style="list-style-type: none">1. Diese Unterschiede sind der jeweiligen Umgebung geschuldet2. Der Blutdruck ändert sich je nach physiologischem oder psychologischem Zustand des Körpers3. Zeigen Sie die gespeicherten Messwerte Ihrem Arzt

Gemäß den Europäischen Richtlinien 2002/95/EG, 2002/96/EG und 2003/108/EG zur Verringerung gefährlicher Stoffe in Elektro- und Elektronikgeräten und zur Abfallentsorgung. Das Symbol auf dem Gerät oder seiner Verpackung bedeutet, dass das Produkt am Ende seiner Nutzungsdauer nicht mit dem Hausmüll entsorgt werden darf.



Es muss vom Nutzer zur entsprechenden Sammelstelle für Elektro- und Elektronikabfall gebracht oder beim Kauf eines neuen Geräts dem Händler zurückgegeben werden. Die getrennte Entsorgung des Produkts verhindert mögliche negative Folgen für Umwelt und Gesundheit, die bei unangemessener Entsorgung entstehen können. Sie ermöglicht die Rückgewinnung von Materialien und trägt zur Zeit- und Ressourceneinsparung und zur Verminderung umwelt- und gesundheitsschädlicher Auswirkungen bei. Die missbräuchliche Entsorgung des Geräts durch den Nutzer zieht administrative Konsequenzen gemäß der aktuellen Norm nach sich. Das Gerät und seine einzelnen Teile sind in Übereinstimmung mit den für die Entsorgung geltenden nationalen oder regionalen Vorschriften gekennzeichnet.

Version 1.0 April 2019

Spezifikationen & Technische Daten

47

Produktbeschreibung	Digitales automatisches Blutdruckmessgerät
Modell	WBPM05
Methode zur Blutdruckmessung	Oszillometrische Methode mit Manschette
Aufpumpen der Manschette	Automatisches Aufpumpen mit Luft bei 15 mmHg/s
Drucksensor	Messsensor
Messbereich (Druck)	0 to 285 mmHg, DIA 40 to 130 mmHg, SYS 60 to 230 mmHg
Messbereich (Puls)	40 bis 180 Schläge pro Minute
Genauigkeit (Druck)	±3 mmHg oder 2 % der Messung
Genauigkeit (Puls)	±5 % der Messung
Sensor	Halbleiter-Drucksensor
Betriebsbedingungen	5 bis 40 °C, 15 bis 90 % RH, atmosphärischer Druck 86 kPa-106 kPa, Höhe: 2000 m
Aufbewahrung und Transport	-25 bis 70 °C, 10 bis 95 % RH, atmosphärischer Druck 86 kPa-106 kPa, Höhe: 2000 m

Spezifikationen & Technische Daten

48

Arm	Am linken Arm anlegen
Stromquelle	5V 1A
Gewicht	Ca. 245 g
Zubehör	Ladekabel, Bedienungsanleitung
Produktlebensdauer	3 Jahre
Kabellose Übertragung	WLAN und BLE

Hinweis : Spezifikationen können sich ohne vorherige Ankündigung und Verpflichtung seitens des Herstellers ändern

Erklärung zu den Bestimmungen der Federal Communications Commission (FCC) 15.21

Durch Änderungen oder Modifikationen an diesem Gerät ohne ausdrückliche Genehmigung des für die Einhaltung Verantwortlichen wird das Nutzungsrecht für dieses Gerät gegebenenfalls ungültig.

15.105(b)

Das Gerät wurde den entsprechenden Tests unterzogen und erfüllt die Bestimmungen von Abschnitt 15 der FCC-Bestimmungen für digitale Geräte der Klasse B.

Diese Grenzwerte dienen dem angemessenen Schutz von Wohnumgebungen vor schädlichen Interferenzen. Das Gerät generiert, nutzt und strahlt möglicherweise Hochfrequenzenergie aus und kann bei unsachgemäßer Installation und Verwendung schädliche Interferenzen für die Radiokommunikation verursachen. Es kann nicht garantiert werden, dass in bestimmten Situationen keine Interferenzen auftreten.

Sie können durch Ein- und Ausschalten des Geräts feststellen, ob schädliche Interferenzen für den Radio- oder Fernsehempfang auftreten. Sollte das der Fall sein, können Sie durch eine oder mehrere der folgenden Maßnahmen Abhilfe schaffen:

- Ändern Sie Ausrichtung oder Standort der Empfangsantenne.
- Vergrößern Sie den Abstand zwischen Gerät und Empfänger.
- Schließen Sie das Gerät an eine Steckdose an, die nicht mit dem gleichen Stromkreis verbunden ist wie der Empfänger.
- Lassen Sie sich von Ihrem Händler oder einem erfahrenen Radio- und Fernsehtechniker helfen.

Dieses Gerät erfüllt die Bestimmungen von Abschnitt 15 der FCC-Bestimmungen. Der Betrieb unterliegt den beiden folgenden Bedingungen:

- (1) dieses Gerät darf keine schädlichen Interferenzen verursachen, und
- (2) dieses Gerät muss eingehende Interferenzen aufnehmen können, auch Interferenzen, die eventuell einen unerwünschten Betrieb verursachen.

FCC-Erklärung zu Strahlungshöchstwerten:

Dieses Gerät erfüllt die FCC-Bestimmungen zu Strahlungshöchstwerten in einer unkontrollierten Umgebung. Endnutzer müssen die entsprechenden Bedienungsvorschriften einhalten, um die Erfüllung der Bestimmungen zu Strahlungshöchstwerten zu gewährleisten. Dieser Sender darf nicht in Verbindung mit anderen Antennen oder Sendern positioniert oder betrieben werden. Dieses Gerät entspricht den lizenzfreien RSS-Standards von Industry Canada. Der Betrieb unterliegt den beiden folgenden Bedingungen: (1) Dieses Gerät darf keine schädlichen Interferenzen verursachen, und (2) dieses Gerät muss eingehende Interferenzen aufnehmen können, auch Interferenzen, die eventuell einen unerwünschten Betrieb verursachen.

Erklärung zu Strahlungshöchstwerten

Medizinische elektrische Geräte erfordern besondere Vorsichtsmaßnahmen in Bezug auf EMV und müssen gemäß den folgenden EMV-Richtlinien installiert und in Betrieb genommen werden. | Es können Interferenzen in der Nähe entsprechend gekennzeichnete Geräte auftreten | Tragbare und mobile HF-Kommunikationsgeräte (z. B. Mobiltelefone) können medizinische elektrische Geräte beeinträchtigen. | Die Verwendung von nicht hier angegebenem Zubehör und Kabeln kann zu erhöhten Emissionen oder reduzierter Störfestigkeit führen. | Das Gerät verwendet HF-Energie ausschließlich für seine interne Funktion. Dadurch sind seine HF-Emissionen sehr niedrig und Interferenzen bei elektronischen Geräten in der Nähe äußerst unwahrscheinlich. | Das Gerät ist für die Verwendung in jeder Umgebung, einschließlich Wohnumgebungen und direkt an das öffentliche Niederspannungsnetz für Wohngebäude angeschlossene Umgebungen vorgesehen. | Für tragbare und mobile HF-Kommunikationsgeräte sollte mindestens der empfohlene Schutzabstand zu jeglichen Teilen des Geräts, einschließlich der Kabel eingehalten werden, der sich aus der auf den Sender zutreffenden Berechnung ergibt. | Das Gerät ist für die Verwendung in einer elektromagnetischen auf HF-Störungen

kontrollierten Umgebung vorgesehen. Weiteres Zubehör, Wandler und Kabel können zu erhöhten Emissionen sowie reduzierter Störfestigkeit und EMV-Leistung führen. | Das Gerät sollte nicht auf andere Geräte gestapelt oder zu nah an anderen Geräten verwendet werden. Sollte eine derartige Verwendung erforderlich sein, ist auf die ordnungsgemäße Funktion innerhalb der gewählten Konfiguration zu achten. Medizinische elektrische Geräte erfordern besondere Vorsichtsmaßnahmen in Bezug auf EMV und müssen gemäß den folgenden EMV-Richtlinien installiert und in Betrieb genommen werden. Medizinische elektrische Geräte können durch tragbare und mobile HF-Geräte wie Mobiltelefone beeinträchtigt werden. Die Verwendung von nicht hier angegebenem Zubehör und Kabeln kann zu erhöhten Emissionen oder reduzierter Störfestigkeit des Geräts führen.

Richtlinien und Herstellererklärung - elektromagnetische Emissionen

Das intelligente Blutdruckmessgerät ist für die Verwendung in der unten angegebenen elektromagnetischen Umgebung vorgesehen. Kunden bzw. Nutzer des intelligenten Blutdruckmessgeräts sollten auf die entsprechende Umgebung achten.

Emissionsprüfung	Compliance	Elektromagnetische Umgebung - Richtlinien
CE Emissionen CISPR 11	Gruppe 1	Das intelligente Blutdruckmessgerät verwendet HF-Energie ausschließlich für seine interne Funktion. Dadurch sind seine HF-Emissionen sehr niedrig und Interferenzen bei elektronischen Geräten in der Nähe äußerst unwahrscheinlich.
RE Emissionen CISPR 11	Klasse B	
Oberschwingungsemissionen IEC 61000-3-2	Nicht zutreffend	Das intelligente Blutdruckmessgerät ist für die Verwendung in jeder Umgebung, einschließlich Wohnumgebungen und direkt an das öffentliche Niederspannungsnetz für Wohngebäude angeschlossene Umgebungen vorgesehen.
Spannungsschwankungen/ Flackeremissionen IEC 61000-3-3	Nicht zutreffend	

Erklärung – elektromagnetische Emissionen und Störfestigkeit

für nicht lebenserhaltende und nur für den Einsatz an einem abgeschirmten Ort bestimmte Geräte und Systeme

Intelligentes WLAN-Blutdruckmessgerät Erklärung der elektromagnetischen Störfestigkeit

Das Intelligente WLAN-Blutdruckmessgerät ist für die Verwendung in der unten angegebenen elektromagnetischen Umgebung vorgesehen. den bzw. Nutzer des intelligenten Blutdruckmesssystems sollten auf die entsprechende Umgebung achten.

Störfestigkeitsprüfung	IEC 60601-Prüfpegel	Compliance-Niveau	Elektromagnetische Umgebung – Richtlinien
Durchgeführt RFIEC 61000-4-63 Vrms		Nicht zutreffend Nicht zutreffend	Nicht zutreffend
Gestrahlte HF IEC 61000-4-3	3 V/m 80 MHz bis 2,5 GHz	Nicht zutreffend	Für tragbare und mobile HF-Kommunikationsgeräte sollte mindestens der empfohlene Schutzabstand zu jeglichen Teilen des GERÄTS oder des SYSTEMS, einschließlich der Kabel eingehalten werden, der sich aus der auf den Sender zutreffenden Berechnung ergibt. In der Nähe von Geräten, die mit dem folgenden Symbol gekennzeichnet sind, können Interferenzen auftreten.

Das Intelligentes WLAN-Blutdruckmessgerät ist für die Verwendung in der unten angegebenen elektromagnetischen Umgebung vorgesehen. Kunden bzw. Nutzer des intelligentes WLAN-Blutdruckmessgerät sollten auf die entsprechende Umgebung achten.

Störfestigkeitsprüfung	IEC 60601-Prüfpegel	Compliance-Niveau	Elektromagnetische Umgebung - Richtlinien
Elektrostatistische Entladung (ESD) IEC 61000-4-2	Kontakt: ± 8 kV Luft: ± 2 kV, ± 4 kV, ± 8 kV, ± 15 kV	Kontakt: ± 8 kV Luft: ± 2 kV, ± 4 kV, ± 8 kV, ± 15 kV	Fußböden sollten aus Holz, Beton oder Keramikfliesen bestehen. Bei mit synthetischem Material bedeckten Böden sollte die relative Luftfeuchtigkeit mindestens 30 % betragen.
Schnelle elektrische Transienten/Bursts IEC 61000-4-4	2 kV für Stromversorgungsleitungen 1 kV für Eingangs- und Ausgangsleitungen	Nicht zutreffend Nicht zutreffend	Die Qualität der Versorgungsspannung sollte einer typischen Geschäfts- oder Krankenhausumgebung entsprechen.
Stoßspannung IEC 61000-4-5	1 kV Gegentakt 2 kV Gleichtakt	Nicht zutreffend Nicht zutreffend	Die Qualität der Versorgungsspannung sollte einer typischen Geschäfts- oder Krankenhausumgebung entsprechen.
Spannungsabfälle, kurze Unterbrechungen und Spannungsschwankungen der Eingangsleitungen für die Stromversorgung IEC 61000-4-11	-5 % UT (95 % UT-Einbruch) für 0,5 Zyklen, -40 % UT (60 % UT-Einbruch) für 5 Zyklen, -70 % UT (30 % UT-Einbruch) für 25 Zyklen, -5 % UT (95 % UT-Einbruch) für 5 Sekunden	Nicht zutreffend	Die Qualität der Versorgungsspannung sollte einer typischen Geschäfts- oder Krankenhausumgebung entsprechen. Wenn die Verwendung des GERÄTS oder des SYSTEMS auch bei Stromausfall fortgesetzt werden soll, empfiehlt sich die Nutzung einer unterbrechungsfreien Stromversorgung oder einer Batterie für das GERÄT oder SYSTEM.
Netzfrequenz (50/60 Hz) Magnetfeld IEC 61000-4-8	30 A/m 50 Hz oder 60 Hz	30 A/m 50 Hz und 60 Hz	Die Magnetfelder der Stromfrequenz sollten einer typischen Geschäfts- oder Krankenhausumgebung entsprechen.

Withings Two (2) Years commercial guarantee Withings BPM Connect | Wi-Fi Smart Blood Pressure Monitor

Withings SA, 2 rue Maurice Hartmann, 92130 Issy-les-Moulineaux, France ("Withings") warrants the Withings-branded hardware product ("Withings Product") against defects in materials and workmanship when used normally in accordance with Withings' published guidelines for a period of TWO (2) YEARS from the date of original retail purchase by the end-user purchaser ("Warranty Period"). Withings' published guidelines include but are not limited to information contained in technical specifications, safety instructions or quick start guide. Withings does not warrant that the operation of the Withings Product will be uninterrupted or error-free. Withings is not responsible for damage arising from failure to follow instructions relating to the Withings Product's use.

FR Garantie commerciale de Withings limitée à deux (2) ans - Withings BPM Connect | Wi-Fi Smart Blood Pressure Monitor

Withings SA, 2 rue Maurice Hartmann, 92130 Issy-les-Moulineaux, France (« Withings ») garantit le matériel de marque Withings (« Produit Withings ») contre les défauts de matériel et de main d'œuvre, lorsque celui-ci est utilisé conformément aux recommandations publiées sur le Produit Withings sous réserve qu'ils surviennent dans un délai de DEUX (2) ANS suivant la date d'achat initiale par l'utilisateur final du Produit Withings neuf auprès d'un professionnel (« Période de garantie »). Les recommandations publiées comprennent notamment les spécifications techniques, les consignes de sécurité ou les manuels d'utilisation du Produit Withings. Withings ne garantit pas que le fonctionnement du Produit Withings sera ininterrompu ou sans erreur. Withings n'est pas responsable des dommages survenant en raison du non-respect des instructions d'utilisation du Produit Withings.

DE Withings auf 2 Jahre begrenzte kommerzielle Garantie - Withings BPM Connect | Wi-Fi Smart Blood Pressure Monitor

Withings SA, 2 rue Maurice Hartmann, 92130 Issy-les-Moulineaux, Frankreich ("Withings") gewährleistet für einen Zeitraum von 2 JAHRE ab dem Datum des Ersterwerbs durch den Endnutzer ("Garantiefrist"), dass das Material der Marke Withings (« Withings-Produkte ») frei von Material- und Verarbeitungsfehlern ist, vorbehaltlich, dass das Gerät als Neuwere und von einem professionellen Händler erworben wurde, wenn es unter normalen Bedingungen gemäß den von Withings veröffentlichten Anleitungen verwendet wird. Die von Withings veröffentlichten Anleitungen umfassen unter anderem die Informationen, die in den technischen Informationen, den Sicherheitsanweisungen und der Kurzanleitung enthalten sind. Withings garantiert keinen ununterbrochenen oder fehlerfreien Betrieb des Withings-Produkts. Withings ist nicht verantwortlich für Schäden, die aus der Nichtbefolgung der Anweisungen resultieren.

Information to users in Canada

55

Informations destinées aux utilisateurs résidant au Canada | Information für Benutzer in Kanada

This device complies with Part 15 of the FCC Rules and with Industry Canada licence-exempt RSS standard(s).

Operation is subject to the following two conditions:

(1) This device may not cause harmful interference, and

(2) This device must accept any interference received, including interference that may cause undesired operation.

Changes or modifications made to this equipment not expressly approved by Withings may void the FCC authorization to operate this equipment.

Radiofrequency radiation exposure information: The radiated output power of the device is far below the FCC radio frequency exposure limits. Nevertheless, the device shall be used in such a manner that the potential for human contact during normal operation is minimized.

FR Cet appareil est conforme à la Partie 15 des règles FCC et à la (aux) norme(s) RSS exempte(s) de licence d'Industry Canada.

L'utilisation est soumise aux deux conditions suivantes :

(1) Cet appareil ne cause pas d'interférence nocive et

(2) Cet appareil doit accepter toute interférence reçue, y compris une interférence pouvant causer un fonctionnement indésirable.

Les modifications apportées à cet équipement n'ayant pas été expressément approuvées par Withings peuvent annuler l'autorisation de la FCC de faire fonctionner cet équipement.

Informations relatives à l'exposition aux radiofréquences :

La puissance de sortie rayonnée de l'appareil est nettement inférieure aux limites d'exposition de radiofréquence recommandées par la FCC. Néanmoins, l'appareil doit être utilisé de manière à ce que le potentiel de contact humain pendant le fonctionnement normal soit minimisé.

DE Dieses Gerät erfüllt die Bestimmungen von Abschnitt 15 der FCC-Bestimmungen und entspricht den lizenzfreien RSS-Standards von Industry Canada.

Der Betrieb unterliegt folgenden beiden Bedingungen:

(1) Dieses Gerät darf keine schädlichen Interferenzen verursachen, und

(2) Dieses Gerät muss eingehende Interferenzen aufnehmen können, auch Interferenzen, die eventuell einen unerwünschten Betrieb verursachen.

Durch Änderungen oder Modifikationen an diesem Gerät ohne ausdrückliche Genehmigung von Withings wird das Nutzungsrecht für dieses Gerät nach den FCC-Bestimmungen gegebenenfalls ungültig.

Informationen mit Bezug auf Hochfrequenz-Strahlenbelastung:

Die ausgestrahlten Funksignale liegen weit unter den FCC-Grenzwerten für Hochfrequenzwellen. Nichtsdestotrotz sollte während des normalen Gebrauchs möglichst wenig Kontakt mit dem menschlichen Körper bestehen.

Reference to standards

Référence aux normes | Verweis auf Normen

56

This device complies with the following normative documents : COUNCIL DIRECTIVE 93/42/EEC of 14 June 1993 concerning medical devices as amended by Directive 2007/47/EC

FR Cet appareil est conforme aux normes suivantes : IRECTIVE 93/42/CEE DU CONSEIL du 14 juin 1993 concernant les dispositifs médicaux, telle que modifiée par la directive 2007/47/CE

DE Dieses Gerät entspricht folgenden normativen Dokumenten: ICHTLINIE 93/42/EWG DES RATES vom 14. Juni 1993 über Medizinprodukte, geändert durch die Richtlinie 2007/47/EG

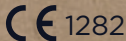
EN ISO 13485: Medical devices - Quality management systems - Requirements for regulatory purposes. Reference to standards contd. | EN ISO 14971: Medical devices - Application of risk management to medical devices. | IEC/EN 60601-1: Medical electrical equipment - Part 1: General requirements for basic safety and essential performance. | EN 1060-3: Non-invasive sphygmomanometers, Part 3: Supplementary requirements for electromechanical blood pressure measuring systems. | EN 1060-4: Non-invasive sphygmomanometers. Test procedures to determine the overall system accuracy of automated non-invasive sphygmomanometers. | IEC/EN 60601-1-11: General requirements for basic safety and essential performance - Collateral Standard: Requirements for medical electrical equipment and medical electrical systems used in the home healthcare environment. | IEC 80601-2-30: Medical electrical equipment - Part 2-30: Particular requirements for the basic safety and essential performance of automated non-invasive sphygmomanometers. | EN 300 328: Electromagnetic compatibility

and Radio spectrum Matters (ERM); Wideband transmission systems; Data transmission equipment operating in the 2,4 GHz ISM band and using wide band modulation techniques; Harmonized EN covering the essential requirements of article 3.2 of the Directive (2014/53/EU). | EN 301 489-1: Electromagnetic compatibility and Radio spectrum Matters (ERM); ElectroMagnetic Compatibility (EMC) standard for radio equipment and services; Part 1: Common technical requirements. | EN 301 489-17: Electromagnetic compatibility and Radio spectrum Matters (ERM); ElectroMagnetic Compatibility (EMC) standard for radio equipment and services; Part 1: Common technical requirements | IEC/EN60601-1-2: Medical electrical equipment: Part 1-2: General requirements for basic safety and essential performance-collateral standard electromagnetic compatibility | EN 55011: Industrial, scientific and medical equipment - Radio-frequency disturbance characteristics - Limits and methods of measurement. | FCC part B 15B: Electromagnetic Compatibility. | FCC Rule Part: 15.247 Cat: DSS (Bluetooth) FCC Rule Part: 15.247 Cat: DTS (BT4.0). | EN ISO 10993-1: Biological evaluation of medical devices -- Part 1: Evaluation and testing within a risk management process. | EN ISO 10993-5: Biological evaluation of medical devices -- Part 5: Tests for in vitro cytotoxicity | EN ISO 10993-10: Biological evaluation of medical devices. Tests for irritation and skin sensitization | IEC/EN 60601-1-6: Medical electrical equipment - Part 1-6: General requirements for basic safety and essential performance - Collateral standard: Usability | ANSI/AAMI/ISO 81060-2 Non-invasive sphygmomanometers Part 2: Clinical validation of automated measurement type | EN ISO 15223-1: Medical devices - Symbols to be used with medical device labels, labelling and information to be supplied - Part 1: General requirements



Manufacturer/Fabricant/Hersteller:

WITHINGS SA,
2 rue Maurice Hartmann,
92130 Issy-les-Moulineaux, FRANCE
+33141460460



IP22

Ingress of water or particulate matter

FR Infiltration d'eau ou de particules de matière
DE Eindringen von Wasser oder Staub



Dry storage environment

FR Environnement de stockage sec
DE In trockener Umgebung aufbewahren

-25°C (-13°F)



70°C (158°F) **Storage temperature**
FR Température de stockage
DE Aufbewahrungstemperatur



Complies with waste electrical and electronic equipment directive

FR Conforme à la directive sur les déchets d'équipements
électroniques et électriques
DE Entspricht der Richtlinie über Elektro- und Elektronik-Altgeräte



Type BF Applied Part (cuff)

FR Pièce appliquée de type BF (brassard)
DE Anwendungsteil Typ BF (Manschette)



Read this manual before use

FR Veuillez lire ce manuel avant utilisation
DE Bitte lesen Sie vor der Verwendung diese Anleitung



Frequency band :
2402 - 2480 MHz
Maximum output power : 4.45 dBm

EN Withings SA hereby declares that the device Withings BPM Connect is in conformity with the essential requirements and other relevant requirements of Directive 2014/53/EU.

The declaration of conformity can be found at: withings.com/compliance.

FR Par la présente, Withings SA déclare que l'appareil Withings BPM Connect est conforme aux exigences essentielles et aux autres dispositions pertinentes de la Directive 2014/53/EU.

La déclaration de conformité peut être consultée sur le site : withings.com/compliance.

DE Hiermit erklärt Withings SA, dass sich das Gerät Withings BPM Connect den grundlegenden Anforderungen und den übrigen einschlägigen Bestimmungen der Richtlinie 2014/53/EU entspricht.

Die EG-Konformitätserklärung können Sie über das Internet herunterladen: withings.com/compliance.

Our goods come with guarantees that cannot be excluded under the Australian Consumer Law. You are entitled to a replacement or refund for a major failure and compensation for any other reasonably foreseeable loss or damage. You are also entitled to have the goods repaired or replaced if the goods fail to be of acceptable quality and the failure does not amount to a major failure.





Need help?

Besoin d'aide? | Brauchen Sie Hilfe?

→ withings.com/support

IM_WPM05_ENFRDE_001

withings

Withings BPM Connect | Wi-Fi Smart Blood Pressure Monitor | V1.0 - Apr.2019

© 2019 Withings SA. All rights reserved.