

SONY®

4-689-559-12(1)



Television



Reference Guide	GB
Guide de référence	FR
Guía de referencia	ES
Referentiegids	NL
Referenzanleitung	DE
Guia de referência	PT
Guida di riferimento	IT
Referensmaterial	SE
Referencevejledning	DK
Viiteopas	FI
Referanseveiledning	NO
Przewodnik	PL
Referenční příručka	CZ
Referenčná príručka	SK
Felhasználói útmutató	HU
Ghid de referință	RO
Информация за продукта	BG
Οδηγός αναφοράς	GR
Başvuru Kılavuzu	TR

BRAVIA

KD-75XE94xx / 65XE93xx / 55XE93xx

Table of Contents

IMPORTANT NOTICE	3
Safety information	3
Precautions	6
Parts and Controls	8
Controls and Indicators	8
Using Remote Control	9
Remote Control Parts Description	9
Connection Diagram	11
Installing the TV to the Wall	13
Using the optional Wall-Mount Bracket ...	13
SU-WL845 (KD-75XE94xx, KD-65XE93xx),	
SU-WL840 (KD-55XE93xx)	14
SU-WL450 (KD-65/55XE93xx only)	14
KD-75XE94xx, KD-55XE93xx only	16
Troubleshooting	19
Troubles and Solutions	19
Specifications	20

Internet Connection and Data Privacy

This product connects to the internet during initial setup as soon as a network is connected in order to confirm internet connection, and later to configure the Home screen. Your IP address is used in these and all other internet connections. If you do not want your IP address be used at all, do not set-up the wireless internet function and do not connect an internet cable. Please refer to the privacy information presented in the set-up screens for further details of internet connections.

Introduction

Thank you for choosing this Sony product. Before operating the TV, please read this manual thoroughly and retain it for future reference.

Note

- Before operating the TV, please read the "Safety information" (page 3).
- Images and illustrations used in the Setup Guide and this manual are for reference only and may differ from the actual product.
- The "xx" that appears in the model name corresponds to a numeric digit, related to design, colour or TV system.

Location of the Setup Guide

Setup Guide is placed on top of the cushion inside the TV carton.

Help/Help Guide

Help feature offers a lot of information about your TV. To use the Help feature, press **HELP** on the remote control. You can find how to and troubleshooting from the list or keyword search. Select [Help Guide] on Help menu to view the manual. If you connect your TV to the internet, the Help feature and information will be updated.

Location of the identification label

Labels for the TV Model No., Production Date (year/month) and Power Supply rating are located on the rear of the TV or package. They can be found by removing the stand cover and center cover.

For models with supplied mains adaptor:

Labels for the mains adaptor Model No. and Serial No. are located on the bottom of the mains adaptor.

WARNING

TO PREVENT THE
SPREAD OF FIRE, KEEP
CANDLES OR OTHER OPEN
FLAMES AWAY FROM THIS
PRODUCT AT ALL TIMES.

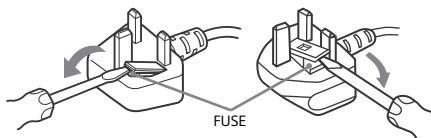


NOTICE FOR CUSTOMERS IN THE UNITED KINGDOM

A moulded plug complying with BS1363 is fitted to this equipment for your safety and convenience.

Should the fuse in the plug supplied need to be replaced with the same rating of fuse approved by ASTA or BSI to BS 1362 (i.e., marked with ⚡ or ⚡) must be used.

If the plug supplied with this equipment has a detachable fuse cover, be sure to attach the fuse cover after you change the fuse. Never use the plug without the fuse cover. If you should lose the fuse cover, please contact your nearest Sony service station.



How to replace the fuse

Open the fuse compartment with a blade screwdriver, and replace the fuse.

Please refer to the illustration that actually equipped with the product.

IMPORTANT NOTICE

This product has been manufactured by or on behalf of Sony Corporation, 1-7-1 Konan Minato-ku Tokyo, 108-0075 Japan. Inquiries related to product compliance based on European Union legislation shall be addressed to the authorized representative, Sony Belgium, bijkantoor van Sony Europe Limited, Da Vincilaan 7-D1, 1935 Zaventem, Belgium. For any service or guarantee matters, please refer to the addresses provided in the separate service or guarantee documents.

Notice for Radio Equipment

Hereby, Sony Corporation declares that the radio equipment types KD-75XE9405, KD-65XE9305, KD-55XE9305 are in compliance with the essential requirements and other relevant provisions of Directive 1999/5/EC. For details, please access the following URL: <http://www.compliance.sony.de/>

This radio equipment can be operated in the EU without infringing applicable requirements on the use of radio spectrum.

Notice for customers: the following information is only applicable to equipment sold in countries applying EU directives.

TV wireless system may be operated in following countries:

AT, BE, HR, CY, CZ, DK, EE, FI, FR, DE, EL, HU, IE, IT, LV, LT, LU, MT, NL, PL, PT, SK, SI, ES, SE, UK, IS, LI, NO, CH, BG, RO, TR, AL, BA, MK, MD, RS, ME, Kosovo

This equipment can be operated in other non-European countries.



Safety information

WARNING

Batteries must not be exposed to excessive heat such as sunshine, fire or the like.

Never place a television set in an unstable location. A television set may fall, causing serious personal injury or death. Many injuries, particularly to children, can be avoided by taking simple precautions such as:

- Using cabinets or stands recommended by the manufacturer of the television set.
- Only using furniture that can safely support the television set.
- Ensuring the television set is not overhanging the edge of the supporting furniture.
- Not placing the television set on tall furniture (for example, cupboards or bookcases) without anchoring both the furniture and the television set to a suitable support.
- Not placing the television set on cloth or other materials that may be located between the television set and supporting furniture.
- Educating children about the dangers of climbing on furniture to reach the television set or its controls.

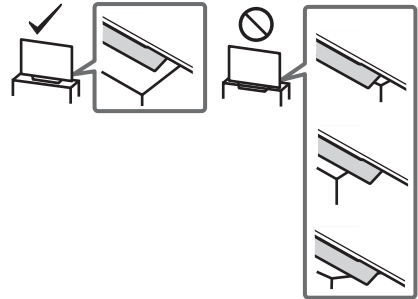
If your existing television set is being retained and relocated, the same considerations as above should be applied.

Installation/Set-up

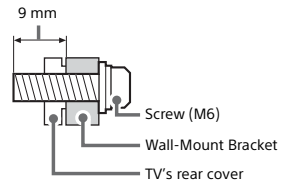
Install and use the TV set in accordance with the instructions below in order to avoid any risk of fire, electric shock or damage and/or injuries.

Installation

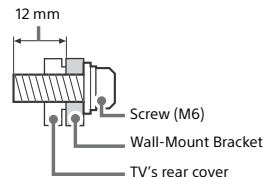
- The TV set should be installed near an easily accessible mains socket.
- Place the TV on a stable, level surface to prevent it from falling over and causing personal injury or property damage.
- Install the TV where it cannot be pulled, pushed, or knocked over.
- Install the TV so that the TV's Table-Top Stand does not protrude out from the TV stand (not supplied). If the Table-Top Stand protrudes out from the TV stand, it may cause TV set to topple over, fall down, and cause personal injury or damage to the TV.



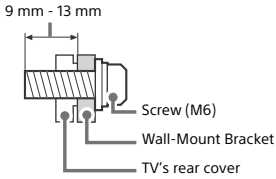
- Only qualified service personnel should carry out wall-mount installations.
- For safety reasons, it is strongly recommended that you use Sony accessories, including:
 - Wall-Mount Bracket SU-WL845 (KD-75XE94xx, KD-65XE93xx only)
 - Wall-Mount Bracket SU-WL840 (KD-55XE93xx only)
 - Wall-Mount Bracket SU-WL450 (KD-65/55XE93xx only)
- Be sure to use the screws supplied with the Wall-Mount Bracket when attaching the Wall-Mount Bracket to the TV set. The supplied screws are designed as indicated by illustration when measured from the attaching surface of the Wall-Mount Bracket. The diameter and length of the screws differ depending on the Wall-Mount Bracket model.
 - Use of screws other than those supplied may result in internal damage to the TV set or cause it to fall, etc.
 - Optional Wall-Mount Bracket (SU-WL845, SU-WL840 only) Upper side



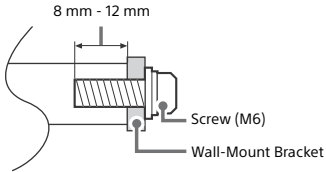
Lower side



– Optional Wall-Mount Bracket (Except SU-WL845, SU-WL840)
KD-75XE94xx

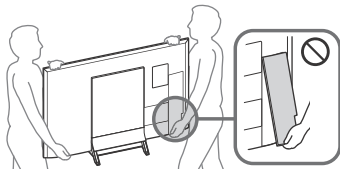
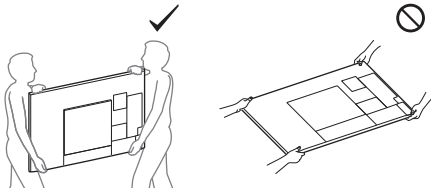


KD-65/55XE93xx

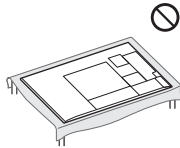


Transporting

- Before transporting the TV set, disconnect all cables.
- Two or three people are needed to transport a large TV set.
- When transporting the TV set by hand, hold it as shown below. Do not put stress on the LCD panel and the frame around the screen.

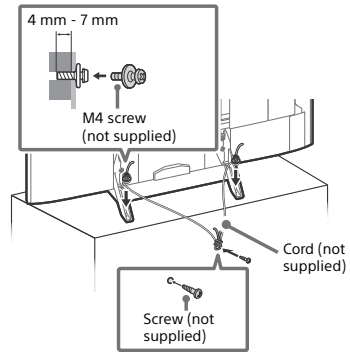
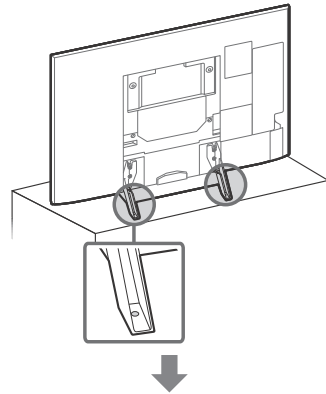


- When handling or mounting the TV set, do not lay down the TV.



- When transporting the TV set, do not subject it to jolts or excessive vibration.
- When transporting the TV set for repairs or when moving, pack it using the original carton and packing material.

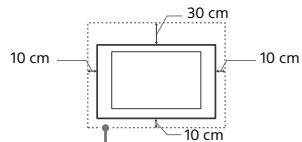
Topple prevention



Ventilation

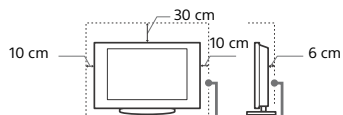
- Never cover the ventilation holes or insert anything in the cabinet.
- Leave space around the TV set as shown below.
- It is strongly recommended that you use a Sony Wall-Mount Bracket in order to provide adequate air circulation.

Installed on the wall



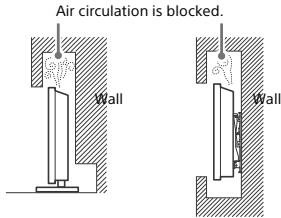
Leave at least this space around the set.

Installed with stand



Leave at least this space around the set.

- To ensure proper ventilation and prevent the collection of dirt or dust:
 - Do not lay the TV set flat, install upside down, backwards, or sideways.
 - Do not place the TV set on a shelf, rug, bed or in a closet.
 - Do not cover the TV set with a cloth, such as curtains, or items such as newspapers, etc.
 - Do not install the TV set as shown below.



Mains lead

Handle the mains lead and socket as follows in order to avoid any risk of fire, electric shock or damage and/or injuries:

- Use only mains leads supplied by Sony, not other suppliers.
- Insert the plug fully into the mains socket.
- Operate the TV set on a 220 V - 240 V AC supply only.
- When wiring cables, be sure to unplug the mains lead for your safety and take care not to catch your feet on the cables.
- Disconnect the mains lead from the mains socket before working on or moving the TV set.
- Keep the mains lead away from heat sources.
- Unplug the mains plug and clean it regularly. If the plug is covered with dust and it picks up moisture, its insulation may deteriorate, which could result in a fire.

Note

- Do not use the supplied mains lead on any other equipment.
- Do not pinch, bend, or twist the mains lead excessively. The core conductors may be exposed or broken.
- Do not modify the mains lead.
- Do not put anything heavy on the mains lead.
- Do not pull on the mains lead itself when disconnecting the mains lead.
- Do not connect too many appliances to the same mains socket.
- Do not use a poor fitting mains socket.

NOTE ON MAINS ADAPTOR (models with supplied mains adaptor only)

Warning

To reduce the risk of fire or electric shock, do not expose this apparatus to rain or moisture.

To prevent fire or shock hazard, do not place objects filled with liquids, such as vases, on the apparatus. Do not install this equipment in a confined space, such as a bookshelf or similar unit.

- Please ensure that the mains socket is installed near the equipment and shall be easily accessible.
- Be sure to use the supplied mains adaptor and mains lead.
- Do not use any other mains adaptor. It may cause a malfunction.
- Connect the mains adaptor to an easily accessible mains socket.
- Do not coil the mains lead around the mains adaptor. The core wire may be cut and/or it may cause a malfunction of the media receiver.



- Do not touch the mains adaptor with wet hands.
- If you notice an abnormality in the mains adaptor, disconnect it from the mains socket immediately.
- The set is not disconnected from the mains source as long as it is connected to the mains socket, even if the set itself has been turned off.
- As the mains adaptor will become warm when it is used for a long time, you may feel hot when touching it by hand.

Prohibited Usage

Do not install/use the TV set in locations, environments or situations such as those listed below, or the TV set may malfunction and cause a fire, electric shock, damage and/or injuries.

Locations:

- Outdoors (in direct sunlight), at the seashore, on a ship or other vessel, inside a vehicle, in medical institutions, unstable locations, near water, rain, moisture or smoke.

Environments:

- Places that are hot, humid, or excessively dusty; where insects may enter; where it might be exposed to mechanical vibration, near flammable objects (candles, etc). The TV set shall not be exposed to dripping or splashing and no objects filled with liquids, such as vases, shall be placed on the TV.

Situations:

- Use when your hands are wet, with the cabinet removed, or with attachments not recommended by the manufacturer. Disconnect the TV set from mains socket and aerul during lightning storms.
- Install the TV so that it sticks out into an open space. Injury or damage from a person or object bumping into the TV may result.



- Place the TV in a humid or dusty space, or in a room with oily smoke or steam (near cooking tables or humidifiers). Fire, electric shock, or warping may result.



- Install the TV in places subject to extreme temperature such as in direct sunlight, near a radiator or a heating vent. The TV may overheat in such condition which can cause deformation of the enclosure and/or TV malfunction.



- If the TV is placed in the changing room of a public bath or hot spring, the TV may be damaged by airborne sulfur, etc.



- For best picture quality, do not expose the screen to direct illumination or sunlight.
- Avoid moving the TV from a cold area to a warm area. Sudden room temperature changes may cause moisture condensation. This may cause the TV to show poor picture and/or poor colour. Should this occur, allow moisture to evaporate completely before powering the TV on.

Broken pieces:

- Do not throw anything at the TV set. The screen glass may break by the impact and cause serious injury.
- If the surface of the TV set cracks, do not touch it until you have unplugged the mains lead. Otherwise this may cause an electric shock.

When not in use

- If you will not be using the TV set for several days, the TV set should be disconnected from the mains for environmental and safety reasons.
- As the TV set is not disconnected from the mains when the TV set is just turned off, pull the plug from the mains to disconnect the TV set completely.
- Some TV sets may have features that require the TV set to be left in standby to work correctly.

For children

- Do not allow children to climb on the TV set.
- Keep small accessories out of the reach of children, so that they are not mistakenly swallowed.

If the following problems occur...

Turn off the TV set and unplug the mains lead immediately if any of the following problems occur. Ask your dealer or Sony service centre to have it checked by qualified service personnel.

When:

- Mains lead is damaged.
- Poor fitting of mains socket.
- TV set is damaged by being dropped, hit or having something thrown at it.
- Any liquid or solid object falls through openings in the cabinet.

About LCD TV Temperature

When the LCD TV is used for an extended period, the panel surrounds become warm. You may feel hot when touching there by the hand.

Precautions

Viewing the TV

- View the TV in moderate light, as viewing the TV in poor light or during long period of time, strains your eyes.
- When using headphones, adjust the volume so as to avoid excessive levels, as hearing damage may result.

LCD Screen

- Although the LCD screen is made with high-precision technology and 99.99 % or more of the pixels are effective, black dots may appear or bright points of light (red, blue, or green) may appear constantly on the LCD screen. This is a structural property of the LCD screen and is not a malfunction.
- Do not push or scratch the front filter, or place objects on top of this TV set. The image may be uneven or the LCD screen may be damaged.
- If this TV set is used in a cold place, a smear may occur in the picture or the picture may become dark. This does not indicate a failure. These phenomena disappear as the temperature rises.
- Ghosting may occur when still pictures are displayed continuously. It may disappear after a few moments.
- The screen and cabinet get warm when this TV set is in use. This is not a malfunction.
- The LCD screen contains a small amount of liquid crystal. Follow your local ordinances and regulations for disposal.

Handling and cleaning the screen surface/cabinet of the TV set

Be sure to unplug the mains lead connected to the TV set from mains socket before cleaning.

To avoid material degradation or screen coating degradation, observe the following precautions.

- To remove dust from the screen surface/cabinet, wipe gently with a soft cloth. If dust is persistent, wipe with a soft cloth slightly moistened with a diluted mild detergent solution.
- Never spray water or detergent directly on the TV set. It may drip to the bottom of the screen or exterior parts and enter the TV set, and may cause damage to the TV set.



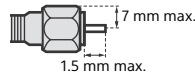
- Never use any type of abrasive pad, alkaline/acid cleaner, scouring powder, or volatile solvent, such as alcohol, benzene, thinner or insecticide. Using such materials or maintaining prolonged contact with rubber or vinyl materials may result in damage to the screen surface and cabinet material.
- Do not touch the TV if your hand is covered in any chemical substance such as hand cream or sunblock.
- Periodic vacuuming of the ventilation openings is recommended to ensure proper ventilation.
- When adjusting the angle of the TV set, move it slowly so as to prevent the TV set from moving or slipping off from its table stand.

Optional Equipment

- Keep optional components or any equipment emitting electromagnetic radiation away from the TV set. Otherwise picture distortion and/or noisy sound may occur.
- This equipment has been tested and found to comply with the limits set out in the EMC Directive using a connection signal cable shorter than 3 meters.
- This equipment has been tested and found to comply with the limits set out in the EMC Directive using a RF cable shorter than 30 meters for terrestrial/satellite/CATV terminal.

Recommendation of F-type plug

Projection of the inner wire from the connection part must be less than 1.5 mm.



(Reference drawing of the F-type plug)

Wireless Function of the unit

- Do not operate this unit near medical equipment (pacemaker, etc.), as this may result in the malfunction of the medical equipment.
- Although this unit transmits/receives scrambled signals, be careful of unauthorised interception. We cannot be responsible for any trouble as a result.
- This equipment should be installed and operated keeping a separation distance of 20 cm or more between the antenna of this device and a person's body.

Caution about handling the remote control

- Observe the correct polarity when inserting batteries.
- Do not use different types of batteries together or mix old and new batteries.
- Dispose of batteries in an environmentally friendly way. Certain regions may regulate the disposal of batteries. Please consult your local authority.
- Handle the remote control with care. Do not drop or step on it, or spill liquid of any kind onto it.
- Do not place the remote control in a location near a heat source, a place subject to direct sunlight, or a damp room.

Disposal of the TV set



Disposal of Old Electrical & Electronic Equipment (Applicable in the European Union and other European countries with separate collection systems)

This symbol on the product or on its packaging indicates that this product shall not be treated as household waste. Instead it shall be handed over to the applicable collection point for the recycling of electrical and electronic equipment. By ensuring this product is disposed of correctly, you will help prevent potential negative consequences for the environment and human health, which could otherwise be caused by inappropriate waste handling of this product. The recycling of materials will help to conserve natural resources. For more detailed information about recycling of this product, please contact your local Civic Office, your household waste disposal service or the shop where you purchased the product.

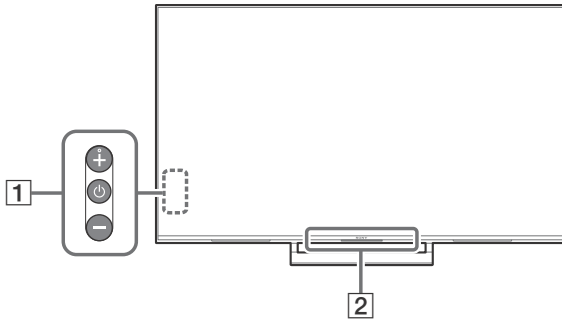


**Disposal of waste batteries
(applicable in the European Union
and other European countries with
separate collection systems)**

This symbol on the battery or on the packaging indicates that the battery provided with this product shall not be treated as household waste. On certain batteries this symbol might be used in combination with a chemical symbol. The chemical symbols for mercury (Hg) or lead (Pb) are added if the battery contains more than 0.0005 % mercury or 0.004 % lead. By ensuring these batteries are disposed of correctly, you will help prevent potentially negative consequences for the environment and human health which could otherwise be caused by inappropriate waste handling of the battery. The recycling of the materials will help to conserve natural resources. In case of products that for safety, performance or data integrity reasons require a permanent connection with an incorporated battery, this battery should be replaced by qualified service staff only. To ensure that the battery will be treated properly, hand over the product at end-of-life to the applicable collection point for the recycling of electrical and electronic equipment. For all other batteries, please view the section on how to remove the battery from the product safely. Hand the battery over to the applicable collection point for the recycling of waste batteries. For more detailed information about recycling of this product or battery, please contact your local Civic Office, your household waste disposal service or the shop where you purchased the product.

Parts and Controls

Controls and Indicators



1 **⏻ (Power) /+/-**

When the TV is off,

Press **⏻** to power on.

When the TV is on,

Press and hold **⏻** to power off.

Press **⏻** repeatedly to change the function, then press + or - button to:

- Adjust the volume.
- Select the channel.
- Select the input source of TV.

2 **Remote Control sensor* / Light sensor* / Illumination LED**

The illumination LED lights up or blinks according to the status of the TV.

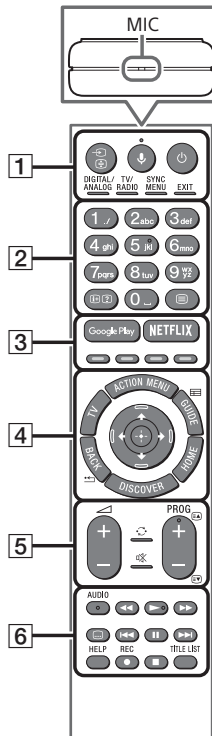
For more information, refer to the Help Guide.

* Do not place anything near the sensor.

Using Remote Control

Remote Control Parts Description

The remote control shape, location, availability and function of remote control button may vary depending on your region/country/TV model.



- 1** **(Input select/Text hold)**
In TV mode: Display and select the input source.
In Text mode: Hold the current page.

(Microphone)
Use Voice Function. (e.g., Search various content by voice.)

(TV standby)
Turn on or turn off the TV (standby mode).

DIGITAL/ANALOG
Switch between digital and analogue mode.

TV/RADIO
Switch between TV or RADIO broadcasts.

SYNC MENU
Display the BRAVIA Sync Menu.

EXIT
Return to the previous screen or exit from the menu. When an Interactive Application service is available, press to exit from the service.

- 2** **Number buttons**

(Info/Text reveal)
Display information.

(Text)
Display text information.

3 Google Play

Access the "Google Play" online service.

NETFLIX (Only on limited region/ country/TV model)

Access the "NETFLIX" online service.

Colour buttons

Execute corresponding function at that time.

4 ACTION MENU

Display a list of contextual functions.

TV

- Switch to a TV channel or input from other applications.
- Turn on the TV to display TV channel or input.

GUIDE/

Display the digital programme guide.

BACK/

Return to previous screen.

HOME

Display the TV Home Menu.

DISCOVER

Bring up the Content Bar to search for content.

(Item select/Enter)

5 +/- (Volume)

Adjust the volume.

(Jump)



Jump back and forth between two channels or inputs. The TV alternates between the current channel or input and the last channel or input that was selected.

(Muting)

Mute the sound. Press again to restore the sound.

PROG +/-/ /

In TV mode: Select the channel.

In Text mode: Select the next () or previous () page.

6 AUDIO

Change the language for the programme currently being viewed.



Operate media contents on TV and connected BRAVIA Sync-compatible device.

(Subtitle setting)

Turn subtitles on or off (when the feature is available).

HELP

Display Help menu. Help Guide can be accessed from here.

● REC

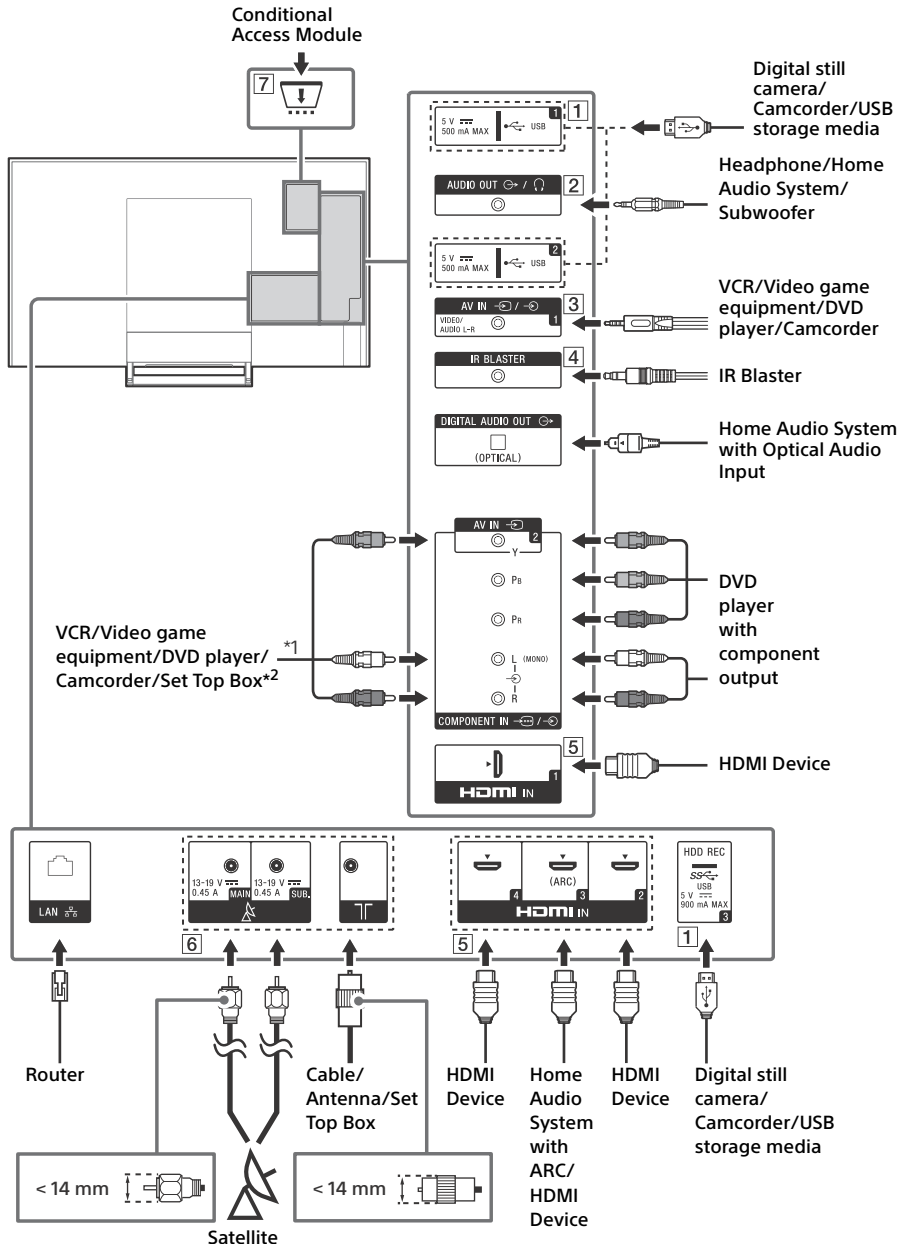
Record the current programme with the USB HDD recording function.

TITLE LIST

Display the Title list.

Connection Diagram

For more information on connections, refer to the Help Guide by pressing **HELP** on the remote control.



1 **USB 1/2, USB 3 (HDD REC)*3**

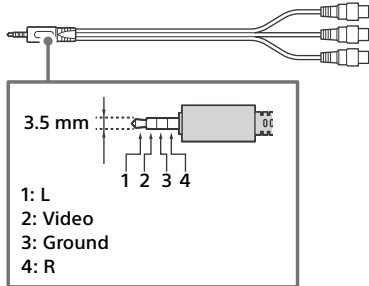
- Connecting a large USB device may interfere with other connected devices beside it.
- When connecting a large USB device, connect to the USB 1 port.

2 **AUDIO OUT**

- Supports 3-pole stereo mini jack only.
- To listen to the TV's sound through the connected equipment, press **HOME**. Select [Settings] → [Sound] → [Headphone/Audio out] and then select the desired item.

3 **AV IN 1**

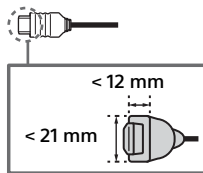
- For a composite connection, use an Analogue Extension Cable (not supplied).



4 **IR BLASTER*3**

5 **HDMI IN 1/2/3/4**

- If connecting a digital audio system that is compatible with Audio Return Channel (ARC) technology, use HDMI IN 3. If not, an additional connection with DIGITAL AUDIO OUT (OPTICAL) is necessary.



6 **(Satellite input), (RF input)**

- Connections for terrestrial/cable and satellite. Connection steps: SUB. → Antenna → MAIN
- For SUB. jack, connect only when you are using twin tuner mode except for Single Cable Distribution EN50494.

7 **CAM (Conditional Access Module)**

- Provides access to pay TV services. For details, refer to the instruction manual supplied with your CAM.
- Do not insert the smart card directly into the TV CAM slot. It must be fitted into the Conditional Access Module provided by your authorised dealer.
- CAM is not supported in some countries/areas. Check with your authorised dealer.
- A CAM message may appear when you switch to a digital programme after using the Internet video.

*1 When connecting mono equipment, connect to the L (MONO) audio jack (socket).

*2 For an external device which has only SCART AV OUT, use a SCART-RCA adapter.

*3 Only on limited region/country/TV model.

Installing the TV to the Wall

Using the optional Wall-Mount Bracket

This TV's instruction manual only shows the steps on preparing the installation of the TV before installing to the wall.

To Customers:

For product protection and safety reasons, Sony strongly recommends that installation of your TV be performed by Sony dealers or licensed contractors. Do not attempt to install it yourself.

To Sony Dealers and Contractors:

Provide full attention to safety during the installation, periodic maintenance and examination of this product.

This product should only be installed by a professional installer who is trained to determine the strength of the wall for withstanding the TV's weight. If it is not properly secured during installation, the TV may fall and cause serious injury. Sony is not liable for any damage or injury caused by mishandling or improper installation, or installing any other than the specified product. Your Statutory Rights (if any) are not affected.

Use the Wall-Mount Bracket SU-WL845 (not supplied) (KD-75XE94xx, KD-65XE93xx only), SU-WL840 (not supplied) (KD-55XE93xx only) or SU-WL450 (not supplied) (KD-65/55XE93xx only) to install the TV to the wall.

When installing the Wall-Mount Bracket, also refer to the Operating Instructions and Installation Guide supplied with the Wall-Mount Bracket.

Note

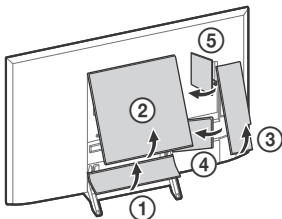
- Be sure to store the removed screws in a safe place, keeping them away from children.
- Make sure that the wall has enough space for the TV and is capable of supporting a weight of at least six times that of the TV.



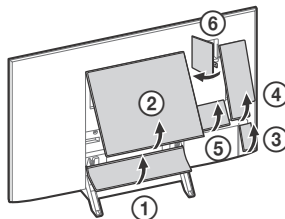
For instructions on Wall-Mount Bracket installation of your TV model, refer to the following website:
www.sony.eu/tv/wall-mount-bracket-manual

Remove the stand cover and terminal covers.

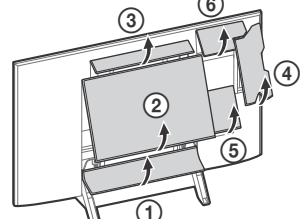
KD-75XE94xx



KD-65XE93xx



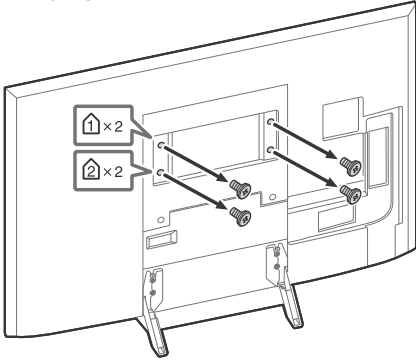
KD-55XE93xx



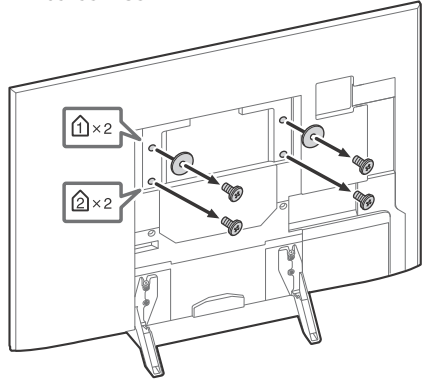
SU-WL845 (KD-75XE94xx, KD-65XE93xx), SU-WL840 (KD-55XE93xx)

Remove the screws from the rear of the TV.

KD-75XE94xx

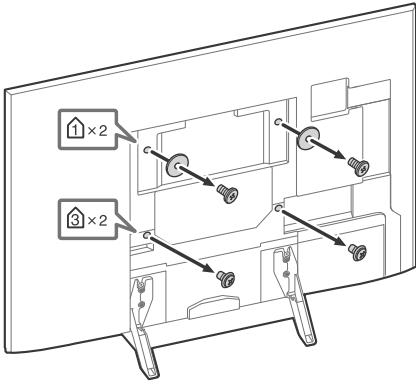


KD-65/55XE93xx

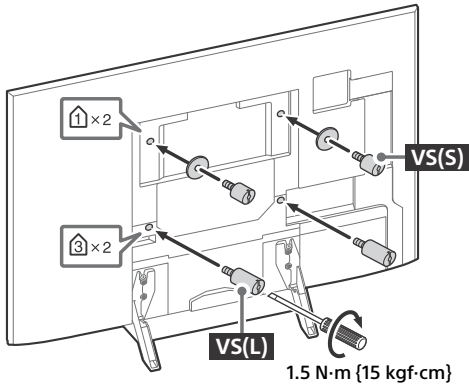


SU-WL450 (KD-65/55XE93xx only)

1 Remove the screws from the rear of the TV.



- 2** Attach the Wall-Mount Attachment (supplied with the TV) to the rear of the TV (to make it parallel with the wall).



Note

- If using an electric screwdriver, set the torque at approximately 1.5 N-m {15 kgf-cm}.
- Be sure to fasten the Wall-Mount Attachment when attaching them to the TV.
Use only a flat head screwdriver to install the Wall-Mount Attachment. Use of another tool might result in over torquing the Wall-Mount Attachment and damaging the TV.

KD-75XE94xx, KD-55XE93xx only

Your TV can be mounted on a wall using a Wall-Mount Bracket (not supplied) out of the box as packaged.

Prepare the TV for the Wall-Mount Bracket before making cable connections.

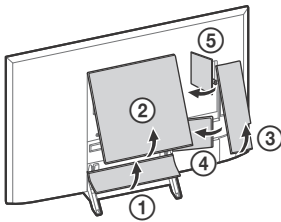
This product should only be installed by a professional installer who is trained to determine the strength of the wall for withstanding the TV's weight. If it is not properly secured during installation, the TV may fall and cause serious injury. Sony is not liable for any damage or injury caused by mishandling or improper installation, or installing any other than the specified product. Your Statutory Rights (if any) are not affected.

For product protection and safety reasons, Sony strongly recommends that installation of your TV on the wall be performed by qualified professionals. Do not attempt to install it yourself.

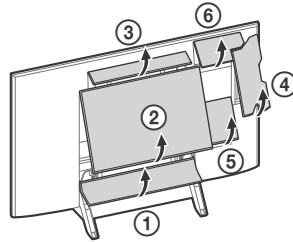
- Follow the instructions provided with the Wall-Mount Bracket for your model.
- Be sure to store the unused screws and Table-Top Stand in a safe place until you are ready to attach the Table-Top Stand. Keep the screws away from small children.
- Make sure that the wall has enough space for the TV and is capable of supporting a weight of at least six times that of the TV.

1 Remove the stand cover and terminal covers.

KD-75XE94xx

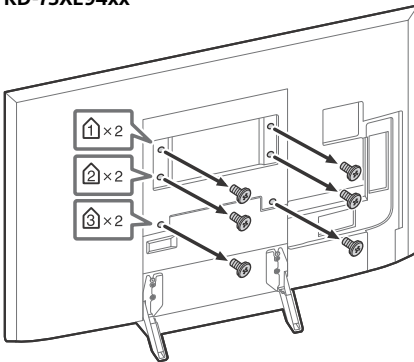


KD-55XE93xx

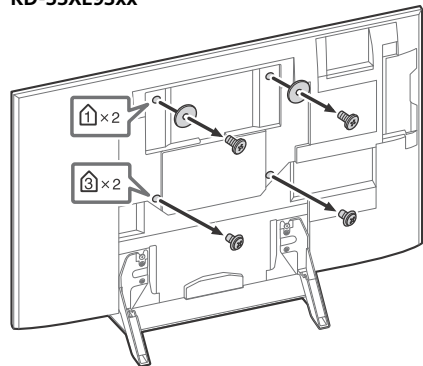


2 Remove the screws from the rear of the TV.

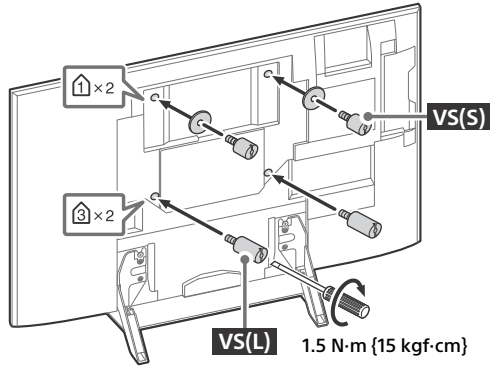
KD-75XE94xx



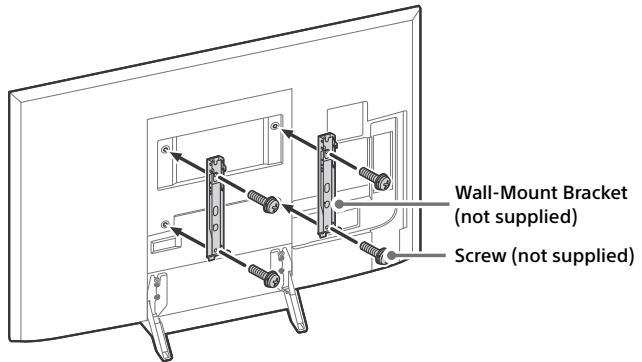
KD-55XE93xx



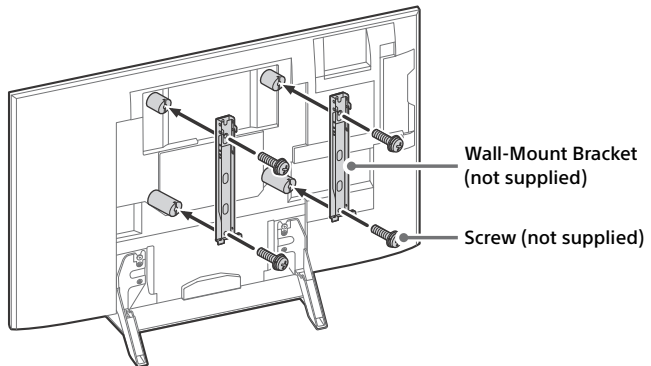
- 3** Attach the Wall-Mount Attachment (supplied with the TV) to the rear of the TV (to make it parallel with the wall). (KD-55XE93xx only)



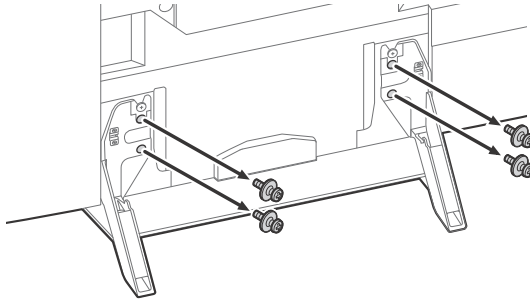
- 4** Attach the Wall-Mount Bracket (not supplied) using the screws (not supplied).
KD-75XE94xx



KD-55XE93xx



5 Detach the Table-Top Stand from the TV.



Note

- If using an electric screwdriver, set the torque at approximately 1.5 N·m {15 kgf·cm}.
- Be sure to fasten the Wall-Mount Attachment when attaching them to the TV.
Use only a flat head screwdriver to install the Wall-Mount Attachment. Use of another tool might result in over-torquing the Wall-Mount Attachment and damaging the TV.
- You cannot use some of the cable holders on the rear of the TV when using a Wall-Mount Bracket (not supplied).

Troubleshooting

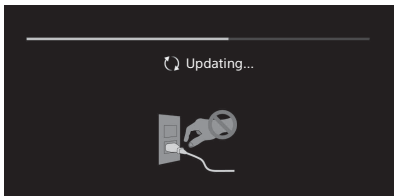
General troubleshooting for issues like: black screen, no sound, frozen picture, TV does not respond, or network is lost, do the following steps.

- 1 Restart your TV by pressing the power button on the remote control until a message appears. The TV will restart. If the TV does not recover, try unplugging the TV from the mains lead for two minutes and then plug it in again.
- 2 Refer to the Help menu by pressing **HELP** on the remote control.
- 3 Connect your TV to the Internet and perform a software update.
- 4 Visit Sony support website (information provided on the back cover).

When [A new TV system software update is available...] message is displayed.

Sony strongly recommends you to update the TV software by selecting [Update Now]. These software updates improve your TV performance or add new features.

The following screen with [Updating...] will appear and the illumination LED flashes white while software is updating.



Do not unplug the mains lead during the software update. If you do, the software update may not finish completely, and it may cause a software malfunction. Software updates can take up to 15 minutes.

When you plug in TV, the TV may not be able to turn on for a while even if you press the power button on the remote control or the TV. It takes time to initialize the system. Wait for about one minute, then operate it again.

Troubles and Solutions

GB

When the illumination LED is flashing in red.

- Count how many times it flashes (interval time is three seconds).
Reboot the TV by disconnecting the mains lead for two minutes, then turn on the TV.
If the problem persists, disconnect the mains lead, and contact your dealer or Sony service centre with the number of times the illumination LED flashes.

Terrestrial/cable service cannot be received.

- Check the antenna (aerial)/cable connection and booster settings.
- Select terrestrial/cable service by pressing **DIGITAL/ANALOG** on the remote control. If the broadcasting service is not displayed, press **TV** and then press **DIGITAL/ANALOG**.
- Terrestrial signal might be suppressed if there is a strong signal supplied nearby. Set [LNA (CH ---)] to [Off] in digital tuning settings.
- After moving to a new house or trying to receive new services, attempt a service search by selecting [Digital Tuning].

Satellite service cannot be received.

- Check the satellite cable connection.
- When [No signal. LNB overload detected...] message is displayed, unplug the mains lead. Then, ensure the satellite cable is not damaged and the satellite signal line is not short-circuited in the satellite connector.

The remote control does not function.

- Replace the batteries.

The parental lock for broadcast password has been forgotten.

- Enter 9999 for the PIN code and select [Change PIN Code].

The TV surrounds become warm.

- When the TV is used for an extended period, the TV surrounds become warm.
You may feel hot when touching there by the hand.

Specifications

System

Panel system

LCD (Liquid Crystal Display) Panel, LED Backlight

TV system

Depending on your country/area selection/TV model

Analogue: B/G, D/K, I

Digital: DVB-T/DVB-C

DVB-T2*

Satellite*: DVB-S/DVB-S2

Colour system

PAL, SECAM, NTSC3.58 (Video only), NTSC4.43 (Video only)

Channel coverage

Depending on your country/area selection/TV model

Analogue: UHF/VHF/Cable

Digital: UHF/VHF/Cable

Satellite*: IF Frequency 950-2,150 MHz

Sound output

KD-75XE94xx, KD-65XE93xx: 10 W + 10 W + 10 W + 10 W + 10 W + 10 W

KD-55XE93xx: 5 W + 5 W + 10 W + 10 W + 10 W + 10 W

Wireless technology

Protocol IEEE802.11ac/a/b/g/n

(IEEE802.11ac may not be available depending on countries/regions.)

Bluetooth Version 4.1

Frequency band(s): WLAN 2.4 GHz/5 GHz,

Bluetooth 2.4 GHz

Radio frequency power transmitter: 100 mW MAX

TV software version:

PKG_..._...EUA

Press **HELP** on the remote control to know the software version.

* Not all the TV sets have DVB-T2 or DVB-S/2 technology or satellite antenna terminal.

Input/Output jacks

Antenna (aerial)/cable

75 ohm external terminal for VHF/UHF

Satellite antenna

Female F-Type Connector, 75 ohm.

DiSeqC 1.0, LNB 13 V/18 V & 22 kHz tone, Single Cable Distribution EN50494.

AV IN 1

Video/Audio input (mini jack)

COMPONENT IN

YPbPr (Component Video): 1080p (50, 60 Hz), 1080i (50, 60 Hz), 720p (50, 60 Hz), 576p, 576i, 480p, 480i

Audio input (phono jacks)

AV IN 2

Video input (common phono pin with Y input)

HDMI IN 1, 2, 3, 4 (support 4K resolution, HDCP 2.2-compatible)

Video:

4096 × 2160p (50, 60 Hz)*1*2, 4096 × 2160p (24 Hz)*1, 3840 × 2160p (50, 60 Hz)*2, 3840 × 2160p (24, 25, 30 Hz), 1080p (30, 50, 60 Hz), 1080/24p, 1080i (50, 60 Hz), 720p (30, 50, 60 Hz), 720/24p, 576p, 576i, 480p, 480i, PC Formats

*1 3840 × 2160p is displayed when 4096 × 2160p is input.

*2 HDMI IN 2 / 3 only.

Audio: 5.1 channel linear PCM: 32, 44.1, 48, 88.2, 96, 176.4 and 192 kHz, 16, 20 and 24 bits, Dolby Digital, Dolby Digital Plus and DTS

ARC (Audio Return Channel) (HDMI IN 3 only)

(Two channel linear PCM: 48 kHz, 16 bits, Dolby Digital, Dolby Digital Plus, DTS)


DIGITAL AUDIO OUT (OPTICAL)

Digital optical jack (Two channel linear PCM: 48 kHz, 16 bits, Dolby Digital, DTS)

AUDIO OUT (Stereo mini jack)

Headphone, Audio output, Subwoofer

1, 2, 3 (HDD REC)*1

USB device port ( 3 USB HDD device for REC feature)

USB port 1 and 2 support High Speed USB (USB2.0).

USB port 3 supports Super Speed USB (USB3.0).

CAM

CAM (Conditional Access Module) slot

LAN

10BASE-T/100BASE-TX connector (Depending on the operating environment of the network, connection speed may differ. 10BASE-T/100BASE-TX communication rate and communication quality are not guaranteed for this TV.)

DC IN 24 V (models with supplied mains adaptor only)

Mains adaptor input

IR BLASTER*1

IR Blaster Cable input (mini jack)

Others

Optional accessories

Wall-Mount Bracket: SU-WL845 (KD-75XE94xx, KD-65XE93xx only)

Wall-Mount Bracket: SU-WL840 (KD-55XE93xx only)

Wall-Mount Bracket: SU-WL450 (KD-65/55XE93xx only)

Operating temperature

0 °C – 40 °C

Operating humidity

10 % – 80 % RH (non-condensing)

Power, Product Fiche and others

Power requirements

except models with supplied mains adaptor

220 V - 240 V AC, 50 Hz

models with supplied mains adaptor only

24 V DC with mains adaptor

Rating: Input 220 V - 240 V AC, 50 Hz

Energy Efficiency Class

KD-75XE94xx: B

KD-65XE93xx: A

KD-55XE93xx: B

Screen size (measured diagonally) (Approx.)

KD-75XE94xx: 189.3 cm / 75 inches

KD-65XE93xx: 163.9 cm / 65 inches

KD-55XE93xx: 138.8 cm / 55 inches

Power consumption

in [Standard] mode

KD-75XE94xx: 298 W

KD-65XE93xx: 164 W

KD-55XE93xx: 137 W

in [Vivid] mode

KD-75XE9405: 495 W

KD-65XE9305: 294 W

KD-55XE9305: 227 W

Average annual energy consumption*²

KD-75XE94xx: 413 kWh

KD-65XE93xx: 227 kWh

KD-55XE93xx: 190 kWh

Standby power consumption*³⁺⁴

0.50 W (27 W in software/EPG update mode)

Display resolution

3,840 dots (horizontal) × 2,160 lines (vertical)

Output Rating

USB 1/2: 5 V, $\overline{=}$, 500 mA MAX

USB 3: 5 V, $\overline{=}$, 900 mA MAX

Dimensions (Approx.) (w × h × d)

with Table-Top Stand

KD-75XE94xx: 167.3 × 103.7 × 32.5 cm

KD-65XE93xx: 145.1 × 91.3 × 29.5 cm

KD-55XE93xx: 123.2 × 79.0 × 28.2 cm

without Table-Top Stand

KD-75XE94xx: 167.3 × 96.2 × 6.2 cm

KD-65XE93xx: 145.1 × 83.8 × 3.9 cm

KD-55XE93xx: 123.2 × 71.5 × 4.0 cm

Mass (Approx.)

with Table-Top Stand

KD-75XE94xx: 47.6 kg

KD-65XE93xx: 42.4 kg

KD-55XE93xx: 32.6 kg

without Table-Top Stand

KD-75XE94xx: 42.8 kg

KD-65XE93xx: 38.2 kg

KD-55XE93xx: 28.6 kg

*1 Only on limited region/country/TV model.

*2 Energy consumption per year, based on the power consumption of the television operating 4 hours per day for 365 days. The actual energy consumption will depend on how the television is used.

*3 Specified standby power is reached after the TV finishes necessary internal processes.

*4 Standby power consumption will increase when your TV is connected to the network.

Note

- Do not remove the cover from TV CAM (Conditional Access Module) slot other than to insert a smart card fitted in CAM.
- Optional accessories availability depends on countries/region/TV model/stock.
- Design and specifications are subject to change without notice.

Notes on Digital TV function

- Digital TV (DVB terrestrial, satellite and cable), interactive services and network functions may not be available in all countries or areas. Some functions might not be enabled or might not operate correctly with some providers and network environments. Some TV service providers may charge a fee for their services.
- This TV supports digital broadcasting using MPEG-2, H.264/MPEG-4 AVC and H.265/HEVC codecs, but compatibility with all operator/service signals, which may change over time, cannot be guaranteed.

Trademark information

- The terms HDMI and HDMI High-Definition Multimedia Interface, and the HDMI Logo are trademarks or registered trademarks of HDMI Licensing LLC in the United States and other countries.
- Manufactured under license from Dolby Laboratories. Dolby, Dolby Audio, and the double-D symbol are trademarks of Dolby Laboratories.
- “BRAVIA” and BRAVIA are trademarks of Sony Corporation.
- Gracenote, Gracenote eyeQ, Gracenote VideoID, Gracenote Video Explore, the Gracenote logo and logotype, and the “Powered by Gracenote” logo are either registered trademarks or trademarks of Gracenote in the United States and/or other countries.
- Opera® Devices SDK. Copyright 1995-2016 Opera TV AS. All rights reserved.
- Wi-Fi, Wi-Fi Direct, Miracast, Wi-Fi Protected Setup and Wi-Fi CERTIFIED Logo are trademarks or registered trademarks of Wi-Fi Alliance.
- For DTS patents, see <http://patents.dts.com>. Manufactured under license from DTS, Inc. DTS, the Symbol, & DTS and the Symbol together are registered trademarks, and DTS Digital Surround is a trademark of DTS, Inc. © DTS, Inc. All Rights Reserved.
- The Bluetooth® word mark and logos are registered trademarks owned by the Bluetooth SIG, Inc. and any use of such marks by Sony Corporation is under license. Other trademarks and trade names are those of their respective owners.
- DiSEqC™ is a trademark of EUTELSAT. This TV supports DiSEqC 1.0. This TV is not intended for controlling motorized antennas.
- TUXERA is a registered trademark of Tuxera Inc. in the US and other countries.
- USB-IF SuperSpeed USB Trident logo is a registered trademark of USB Implementers Forum, Inc. 

Table des matières

AVIS IMPORTANT	2
Consignes de sécurité	3
Précautions	6
Pièces et commandes	8
Commandes et voyants	8
Utilisation de la télécommande	9
Description des pièces de la télécommande	9
Schéma de connexion	11
Installation du téléviseur au mur	13
Utilisation du support de fixation murale en option	13
SU-WL845 (KD-75XE94xx, KD-65XE93xx), SU-WL840 (KD-55XE93xx)	14
SU-WL450 (KD-65/55XE93xx uniquement)	14
KD-75XE94xx, KD-55XE93xx uniquement	16
Dépannage	19
Problèmes et solutions	19
Spécifications	20

Connexion Internet et confidentialité des données

Ce produit se connecte à Internet au cours de la configuration initiale dès qu'un réseau est connecté afin de confirmer la connexion Internet, puis ultérieurement pour configurer l'écran d'accueil. Votre adresse IP est utilisée dans ces connexions Internet et toutes les autres. Si vous ne voulez pas que votre adresse IP soit utilisée, ne configurez pas la fonction Internet sans fil et ne connectez pas de câble Internet. Veuillez vous référer aux informations de confidentialité présentées dans les écrans de configuration pour en savoir plus sur les connexions Internet.

Introduction

Sony vous remercie d'avoir choisi ce téléviseur. Avant de l'utiliser, nous vous invitons à lire attentivement ce manuel et à le conserver pour vous y référer ultérieurement.

Remarque

- Avant d'utiliser le téléviseur, lisez les « Consignes de sécurité » (page 3).
- Les images et illustrations reprises dans ce manuel et dans le Guide d'installation sont fournies pour référence uniquement et peuvent présenter des différences par rapport au produit proprement dit.
- Le « xx » qui apparaît dans le nom de modèle correspond à un chiffre qui désigne la présentation, la couleur ou le système de téléviseur.

Emplacement du Guide d'installation

Le Guide d'installation est placé au-dessus du rembourrage à l'intérieur du carton du téléviseur.

Aide/Guide d'aide

La fonction Aide contient un grand nombre d'informations concernant votre téléviseur. Pour utiliser la fonction Aide, appuyez sur la touche **HELP** de la télécommande. Vous trouverez des solutions et le dépannage dans la liste ou la recherche par mot-clé. Sélectionnez [Guide d'aide] dans le menu Aide pour afficher le manuel. Si vous connectez votre téléviseur à Internet, la fonction Aide et les informations qu'elle contient seront mises à jour.

Emplacement de l'étiquette d'identification

Les étiquettes reprenant le numéro de modèle, la date de production (année/mois) et les caractéristiques nominales de l'alimentation se trouvent à l'arrière du téléviseur ou de l'emballage. On peut les trouver en retirant le couvercle du support et le couvercle central.

Pour les modèles dotés de l'adaptateur secteur fourni :

Les étiquettes reprenant le numéro de modèle et le numéro de série de l'adaptateur secteur se trouvent au bas de l'adaptateur secteur.

AVERTISSEMENT

**POUR ÉVITER LES
INCENDIES, TENEZ
TOUJOURS LES BOUGIES ET
AUTRES FLAMMES NUES
ÉLOIGNÉES DE CE PRODUIT.**



AVIS IMPORTANT

Ce produit a été fabriqué par ou pour le compte de Sony Corporation, 1-7-1 Konan Minato-ku Tokyo, 108-0075 Japon. Toutes les questions relatives à la conformité des produits basées sur la législation européenne doivent être adressées à son représentant, Sony Belgium, bijkantoor van Sony Europe Limited, Da Vincilaan 7-D1, 1935 Zaventem, Belgique. Pour toute question relative au Service Après-Vente ou à la Garantie, merci de bien vouloir vous référer aux coordonnées qui vous sont communiquées dans les documents « Service (SAV) » ou Garantie.

Avis concernant les équipements radio



Par les présentes, Sony Corporation déclare que les équipements radio type KD-75XE9405, KD-65XE9305, KD-55XE9305 sont conformes aux exigences essentielles et aux autres dispositions pertinentes de la directive 1999/5/CE. Pour toute information complémentaire, veuillez consulter l'URL suivante : <http://www.compliance.sony.de/>

Cet équipement radio peut être utilisé dans l'UE sans enfreindre les exigences en vigueur relatives à l'utilisation du spectre radio.

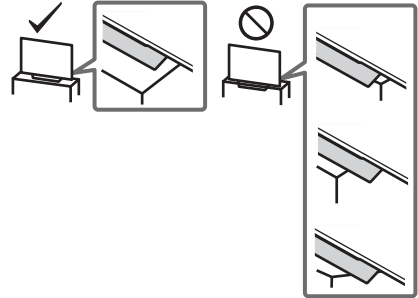
Avis aux clients : les informations suivantes s'appliquent uniquement aux appareils vendus dans les pays qui appliquent les directives de l'UE.

Le système de télévision sans fil peut être utilisé dans les pays suivants :

AT, BE, HR, CY, CZ, DK, EE, FI, FR, DE, EL, HU, IE, IT, LV, LT, LU, MT, NL, PL, PT, SK, SI, ES, SE, UK, IS, LI, NO, CH, BG, RO, TR, AL, BA, MK, MD, RS, ME, Kosovo

Cet appareil peut être utilisé dans d'autres pays non européens.

- Installez le téléviseur de façon à ce que son support de table ne dépasse pas du meuble TV (non fourni). Si le support de table dépasse du meuble TV, le téléviseur risque d'être renversé, de tomber, d'être endommagé ou de provoquer des blessures.



FR

Consignes de sécurité

AVERTISSEMENT

Les piles ne doivent pas être exposées à une chaleur excessive, par exemple rayon du soleil, feu ou toute source de chaleur similaire.

Ne placez jamais un téléviseur dans un endroit instable. Un téléviseur peut tomber et occasionner de graves blessures corporelles, voire la mort. De nombreuses blessures, notamment chez les enfants, peuvent être évitées en prenant de simples précautions telles que :

- Utiliser les meubles ou les supports recommandés par le fabricant du téléviseur.
- N'utiliser que des meubles capables de supporter le téléviseur en toute sécurité.
- S'assurer que le téléviseur ne dépasse pas du bord du meuble qui le supporte.
- Ne pas placer le téléviseur sur un meuble haut (par exemple, armoires ou bibliothèques) sans ancrer à la fois le meuble et le téléviseur à un support adapté.
- Ne pas placer le téléviseur sur du tissu ou autre matériau placé entre le téléviseur et le meuble de support.
- Apprendre aux enfants qu'il est dangereux de monter sur le meuble pour atteindre le téléviseur ou ses touches de commande.

Si vous conservez et déménagez votre téléviseur existant, les points ci-dessous doivent également être pris en compte et appliqués.

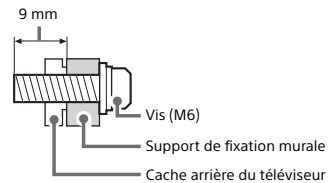
Installation/Mise en place

Installez et utilisez le téléviseur conformément aux instructions ci-dessous afin d'éviter tout risque d'incendie, d'électrocution ou autre dommage et/ou blessure.

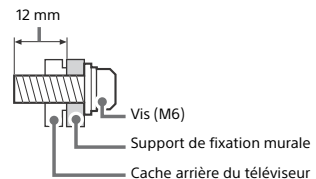
Installation

- Le téléviseur doit être installé à proximité d'une prise de courant aisément accessible.
- Positionnez le téléviseur sur une surface stable et horizontale afin d'éviter qu'il ne tombe, n'entraîne des blessures ou n'endommage des biens.
- Installez le téléviseur dans un endroit où vous ne risquez pas de le pousser, de le tirer ou de le renverser.

- L'installation murale du téléviseur doit être confiée à un technicien spécialisé.
- Pour des raisons de sécurité, il est vivement recommandé d'utiliser les accessoires Sony, notamment :
 - Support de fixation murale SU-WL845 (KD-75XE94xx, KD-65XE93xx uniquement)
 - Support de fixation murale SU-WL840 (KD-55XE93xx uniquement)
 - Support de fixation murale SU-WL450 (KD-65/55XE93xx uniquement)
- Veillez à bien utiliser les vis fournies avec le support de fixation murale lors de la mise en place du support de fixation murale sur le téléviseur. Les vis fournies sont conçues de la manière illustrée, mesurées à partir de la surface de fixation du support de fixation murale. Leur diamètre et leur longueur varient suivant le modèle de support de fixation murale. L'utilisation de vis autres que celles fournies peut occasionner des dégâts à l'intérieur du téléviseur ou provoquer sa chute, etc.
 - Support de fixation murale en option (SU-WL845, SU-WL840 uniquement)
Côté supérieur

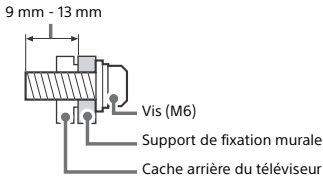


Côté inférieur

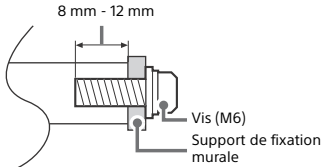


– Support de fixation murale en option (Sauf SU-WL845, SU-WL840)

KD-75XE94xx

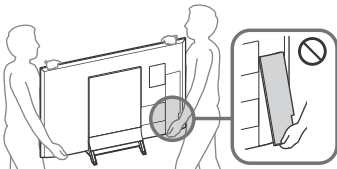
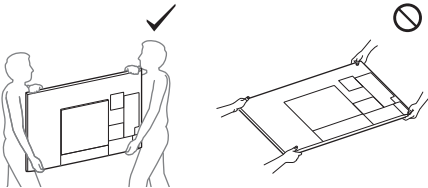


KD-65/55XE93xx

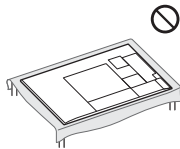


Transport

- Avant de transporter le téléviseur, débranchez tous ses câbles.
- La présence de deux ou trois personnes est nécessaire pour le transport des téléviseurs de grande taille.
- Pour transporter le téléviseur à la main, saisissez-le de la manière illustrée. N'exercez aucune pression sur le panneau LCD ni sur le cadre qui entoure l'écran.

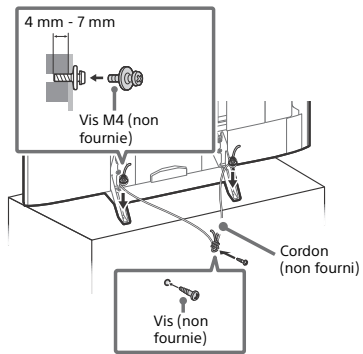
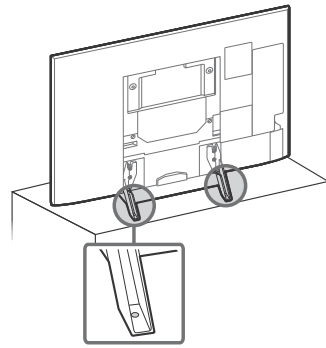


- Lors de la manipulation ou du montage du téléviseur, ne couchez pas le téléviseur.



- Lorsque vous transportez le téléviseur, ne le soumettez pas à des secousses ou des vibrations excessives.
- Lorsque vous transportez le téléviseur pour le porter à réparer ou lorsque vous déménagez, glissez-le dans son emballage et son carton d'origine.

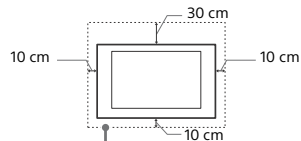
Prévention des basculements



Aération

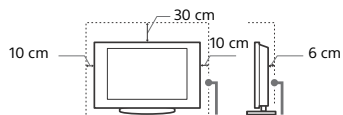
- Vous ne devez jamais obstruer les orifices d'aération du boîtier ni y introduire un objet quelconque.
- Laissez un espace libre autour du téléviseur, comme indiqué ci-dessous.
- Il est vivement recommandé d'utiliser le support de fixation murale Sony pour favoriser la circulation adéquate de l'air.

Installation murale



Laissez au moins cet espace libre autour du téléviseur.

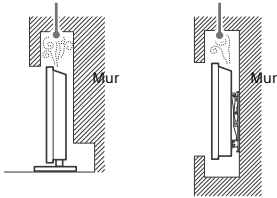
Installation sur pied



Laissez au moins cet espace libre autour du téléviseur.

- Pour une ventilation correcte, sans accumulation de salissures ni de poussière :
 - Ne placez pas le téléviseur à plat, à l'envers, vers l'arrière ou sur le côté.
 - Ne placez pas le téléviseur sur une étagère, un tapis, un lit ou dans un placard.
 - Ne couvrez pas le téléviseur avec des tissus tels que des rideaux, pas plus qu'avec des journaux, etc.
 - N'installez pas le téléviseur comme illustré ci-dessous.

La circulation de l'air est bloquée.



Cordon d'alimentation secteur

Manipulez le cordon et la prise d'alimentation secteur comme indiqué ci-dessous afin d'éviter tout risque d'incendie, d'électrocution ou autre dommage et/ou blessure :

- Utilisez uniquement un cordon d'alimentation Sony et pas d'une autre marque.
- Insérez la fiche à fond dans la prise secteur.
- Utilisez le téléviseur sur une alimentation de 220 V - 240 V CA uniquement.
- Pour votre propre sécurité, assurez-vous que le cordon d'alimentation secteur est débranché lorsque vous réalisez des branchements et veillez à ne pas trébucher dans les câbles.
- Avant d'effectuer tout type d'intervention ou de déplacer le téléviseur, débranchez le cordon d'alimentation secteur de la prise de courant.
- Eloignez le cordon d'alimentation secteur des sources de chaleur.
- Débranchez la fiche du cordon d'alimentation secteur et nettoyez-la régulièrement. Si la fiche accumule de la poussière ou est exposée à l'humidité, son isolation peut se détériorer et un incendie peut se déclarer.

Remarque

- N'utilisez pas le cordon d'alimentation fourni avec un autre appareil.
- Ne pliez pas et ne tordez pas exagérément le cordon d'alimentation secteur. Cela pourrait mettre à nu ou rompre les fils conducteurs.
- Ne modifiez pas le cordon d'alimentation secteur.
- Ne posez jamais d'objet lourd sur le cordon d'alimentation secteur.
- Ne tirez jamais sur le cordon d'alimentation secteur proprement dit pour le débrancher.
- Veillez à ne pas brancher un trop grand nombre d'appareils sur la même prise de courant.
- Pour la prise de courant, n'utilisez pas une prise de mauvaise qualité.

REMARQUE SUR L'ADAPTATEUR SECTEUR

(modèles dotés de l'adaptateur secteur fourni uniquement)

Avertissement

Pour réduire le risque d'incendie ou d'électrocution, n'exposez pas cet appareil à la pluie ou à l'humidité.

Pour éviter tout incendie ou électrocution, ne placez pas d'objets remplis de liquide, par exemple des vases, sur l'appareil. N'installez pas cet appareil dans un espace confiné, par exemple sur une étagère ou toute unité similaire.

- Assurez-vous que la prise secteur se trouve à proximité de l'appareil et qu'elle est facilement accessible.
- Veillez à utiliser l'adaptateur secteur et le cordon d'alimentation fournis.
- N'utilisez aucun autre adaptateur secteur. Cela pourrait provoquer un dysfonctionnement.
- Raccordez l'adaptateur secteur à une prise secteur d'accès aisé.

- N'enroulez pas le cordon d'alimentation secteur autour de l'adaptateur secteur. Le fil de noyau risquerait d'être coupé et/ou de provoquer un dysfonctionnement de la passerelle multimédia.
- Ne touchez pas l'adaptateur secteur avec des mains humides.
- En cas d'anomalie de fonctionnement de l'adaptateur secteur, débranchez-le immédiatement de la prise secteur.
- L'appareil n'est pas déconnecté de la source d'alimentation secteur aussi longtemps qu'il reste branché sur la prise murale, même si l'appareil proprement dit a été mis hors tension.
- Comme l'adaptateur secteur chauffe lorsqu'il est utilisé pendant une longue période, vous pouvez sentir la chaleur lorsque vous le touchez à la main.



Ce qu'il ne faut pas faire

N'installez/n'utilisez pas le téléviseur dans des lieux, environnements ou situations comparables à ceux répertoriés ci-dessous car sinon, il risque de ne pas fonctionner correctement ou de provoquer un incendie, une électrocution, d'autres dommages et/ou des blessures.

Lieu :

- A l'extérieur (en plein soleil), au bord de la mer, sur un bateau ou voilier, à l'intérieur d'un véhicule, dans des établissements hospitaliers, des sites instables, exposés à la pluie, l'humidité ou à la fumée.

Environnement :

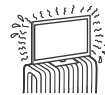
- Endroits excessivement chauds, humides ou poussiéreux ; accessibles aux insectes ; soumis à des vibrations mécaniques, à proximité d'objets inflammables (bougies, etc.). Le téléviseur ne doit être exposé à aucune forme d'écoulement ou d'éclaboussure. C'est pourquoi aucun objet rempli d'un liquide quelconque, comme un vase, ne doit être placé sur le téléviseur.

Situation :

- À utiliser lorsque vos mains sont mouillées, en l'absence de boîtier, ou avec des accessoires non recommandés par le fabricant. En cas d'orage, débranchez le téléviseur de la prise secteur et de la prise d'antenne.
- Installer le téléviseur de manière saillante dans un espace ouvert. Des personnes pourraient se blesser ou l'endommager ou des objets pourraient se heurter au téléviseur.



- Placer le téléviseur dans un endroit humide ou poussiéreux, ou dans une pièce pleine de vapeur ou de fumée grasse (près des tables de cuisson ou d'humidificateurs). Il pourrait en résulter un incendie, des risques d'électrocution ou des déformations.
- Installer le téléviseur à des endroits soumis à des températures extrêmes, par exemple à la lumière directe du soleil, ou près d'un radiateur ou d'un ventilateur soufflant de l'air chaud. Il peut en résulter une surchauffe du téléviseur, susceptible de déformer le boîtier et/ou d'entraîner le dysfonctionnement du téléviseur.



- Si le téléviseur est placé dans les vestiaires de thermes ou de bains publics, le soufre dans l'atmosphère, etc., risque de l'endommager.



- Pour une qualité d'image optimale, n'exposez pas l'écran à un éclairage direct ou aux rayons directs du soleil.

- Évitez de déplacer le téléviseur d'une zone à une zone chaude. Les changements brusques de température ambiante peuvent entraîner une condensation de l'humidité. Le téléviseur peut alors diffuser des images et/ou des couleurs de qualité médiocre. Dans une telle éventualité, laissez l'humidité s'évaporer complètement avant de mettre le téléviseur sous tension.

Eclats et projections d'objets :

- Ne projetez aucun objet en direction du téléviseur. Le verre de l'écran pourrait être brisé lors de l'impact et provoquer des blessures graves.
- Si la surface de l'écran se fendille, ne touchez pas le téléviseur avant d'avoir débranché le cordon d'alimentation secteur. Sinon, cela pourrait entraîner un risque d'électrocution.

Au repos

- Si vous envisagez de ne pas utiliser le téléviseur pendant plusieurs jours, il est conseillé de le débrancher de l'alimentation secteur pour des raisons de sécurité et de protection de l'environnement.
- Le téléviseur étant toujours sous tension lorsqu'il est simplement éteint, débranchez la fiche d'alimentation secteur de la prise de courant pour le mettre complètement hors tension.
- Certains téléviseurs possèdent des caractéristiques dont le bon fonctionnement peut exiger que l'appareil demeure sous tension lorsqu'il est en mode veille.

Avec les enfants

- Ne laissez pas les enfants grimper sur le téléviseur.
- Conservez les petits accessoires hors de portée des enfants pour éviter tout risque d'ingestion accidentelle.

Si vous rencontrez les problèmes suivants...

Eteignez le téléviseur et débranchez immédiatement le cordon d'alimentation de la prise secteur si l'un des problèmes suivants devait survenir.

Contactez votre revendeur ou le centre de service après-vente Sony pour faire contrôler votre téléviseur par un technicien spécialisé.

Si :

- Le cordon d'alimentation secteur est endommagé.
- La prise de courant est de mauvaise qualité.
- Le téléviseur est endommagé après avoir subi une chute, un impact ou la projection d'un objet.
- Un objet liquide ou solide a pénétré à l'intérieur des ouvertures du boîtier.

À propos de la température du téléviseur LCD

Si vous utilisez le téléviseur LCD pendant une période prolongée, la température augmente dans la zone entourant le panneau. Si vous le touchez, vous remarquerez peut-être qu'il est chaud.

Précautions

Regarder la télévision

- Regarder la télévision dans une pièce modérément éclairée ou peu éclairée ou pendant une période prolongée soumet vos yeux à un effort.
- Si vous utilisez un casque, réglez le volume de façon à éviter un niveau sonore excessif qui pourrait altérer votre capacité auditive.

Ecran LCD

- Bien que l'écran LCD soit fabriqué avec une technologie de haute précision et soit doté d'une définition de pixels effectifs de 99,99 % ou supérieure, il est possible que quelques points noirs ou points lumineux (rouges, bleus ou verts) apparaissent constamment sur l'écran. Ce phénomène est inhérent à la structure de l'écran LCD et n'indique pas un dysfonctionnement.
- N'appuyez pas sur le filtre avant, ne l'effraiez pas et ne placez pas d'objets sur ce téléviseur. L'image pourrait être instable ou l'écran LCD être endommagé.

- Si ce téléviseur est utilisé dans un environnement froid, l'image peut apparaître sale ou sombre. Ce n'est pas le signe d'un dysfonctionnement. Ce phénomène disparaît au fur et à mesure que la température augmente.
- Une image rémanente peut apparaître lorsque des images fixes sont affichées en continu. Elle peut disparaître au bout d'un certain temps.
- L'écran et le boîtier se réchauffent lorsque le téléviseur est en cours d'utilisation. Ceci n'a rien d'anormal.
- L'écran LCD contient une petite quantité de cristaux liquides. Respectez les réglementations locales en vigueur concernant la mise au rebut de cet équipement.

Traitement et nettoyage du boîtier et de la surface de l'écran du téléviseur

Assurez-vous que le cordon d'alimentation secteur relié au téléviseur est débranché de la prise de courant avant d'entreprendre toute opération de nettoyage. Pour éviter toute dégradation du matériau ou du revêtement de l'écran, respectez les précautions suivantes.

- Pour ôter la poussière du boîtier ou de la surface de l'écran, frottez délicatement avec un linge doux. En cas de saleté tenace, frottez avec un linge doux légèrement imprégné d'une solution à base de détergent doux dilué.
- Ne jamais vaporiser d'eau ou de détergent directement sur le téléviseur. Le liquide pourrait couler au bas de l'écran ou sur les parties extérieures, voire pénétrer dans le téléviseur et l'endommager.
- N'utilisez jamais d'éponge abrasive, de produit de nettoyage alcalin/acide, de poudre à récurer ou de solvant volatil, qu'il s'agisse d'alcool, d'essence, de diluant ou d'insecticide. L'utilisation de ces produits ou tout contact prolongé avec des matériaux en caoutchouc ou en vinyle peut endommager la surface de l'écran et le matériau du boîtier.
- Ne touchez pas le téléviseur si votre main est recouverte d'une substance chimique quelconque, comme de la crème pour les mains ou de l'écran total.
- Le nettoyage régulier des ouvertures de ventilation est recommandé pour assurer une ventilation correcte.
- Si l'angle du téléviseur doit être réglé, déplacez lentement ce dernier pour éviter qu'il ne se désolidarise et tombe de son pied.

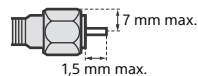


Appareils optionnels

- Éloignez le téléviseur de tout appareil ou équipement optionnel émettant des rayonnements électromagnétiques. Sinon, cela pourrait entraîner une déformation de l'image et/ou un bruit.
- Cet appareil a été testé et déclaré conforme aux limites de la Directive CEM lors de l'utilisation d'un câble de signal de liaison dont la longueur ne dépasse pas 3 mètres.
- Cet appareil a été testé et déclaré conforme aux limites de la Directive CEM lors de l'utilisation d'un câble RF dont la longueur ne dépasse pas 30 mètres pour la borne terrestre/satellite/télévision par câble.

Recommandation relative à la fiche de type F

Le fil interne ne peut pas dépasser le connecteur de plus de 1,5 mm.



(Illustration de référence de la fiche de type F)

Fonction sans fil de l'appareil

- N'utilisez pas cet appareil à proximité d'un équipement médical (stimulateur cardiaque, par exemple), car cela pourrait altérer le bon fonctionnement de ce dernier.
- Même si cet appareil émet/reçoit des signaux brouillés, soyez attentif aux éventuelles interceptions non autorisées. Nous ne pouvons être tenus responsables de tout problème que cela pourrait entraîner.

- Cet équipement doit être installé et utilisé en laissant une distance de séparation d'au moins 20 cm entre l'antenne de ce périphérique et le corps d'une personne.

Faire attention lors de l'utilisation de la télécommande

- Respectez les polarités lors de l'insertion de piles.
- Ne mélangez pas des piles de types différents, ni des piles usagées avec des piles neuves.
- Respectez l'environnement lorsque vous jetez les piles. L'élimination des piles peut être réglementée dans certaines régions. Consultez les autorités locales.
- Manipulez la télécommande avec soin. Ne la laissez pas tomber, ne la piétinez pas et ne renversez aucun liquide sur celle-ci.
- Ne placez pas la télécommande à proximité d'une source de chaleur, dans un endroit exposé à la lumière directe du soleil ou dans une pièce humide.

Mise au rebut du téléviseur



Traitement des appareils électriques et électroniques en fin de vie (Applicable dans les pays de l'Union Européenne et aux autres pays européens disposant de systèmes de collecte sélective)

Ce symbole, apposé sur le produit ou sur son emballage, indique que ce produit ne doit pas être traité avec les déchets ménagers. Il doit être remis à un point de collecte approprié pour le recyclage des équipements électriques et électroniques. En vous assurant que ce produit sont mis au rebut de façon appropriée, vous participez activement à la prévention des conséquences négatives que leur mauvais traitement pourrait provoquer sur l'environnement et sur la santé humaine. Le recyclage des matériaux contribue par ailleurs à la préservation des ressources naturelles. Pour toute information complémentaire au sujet du recyclage de ce produit, vous pouvez contacter votre municipalité, votre déchetterie locale ou le point de vente où vous avez acheté le produit.

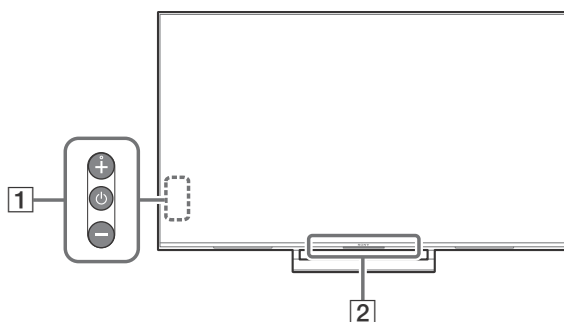


Élimination des piles et accumulateurs usagés (Applicable dans les pays de l'Union Européenne et aux autres pays européens disposant de systèmes de collecte sélective)

Ce symbole, apposé sur les piles et accumulateurs ou sur les emballages, indique que les piles et accumulateurs fournis avec ce produit ne doivent pas être traités comme de simples déchets ménagers. Sur certains types de piles, ce symbole apparaît parfois combiné avec un symbole chimique. Les symboles pour le mercure (Hg) ou le plomb (Pb) sont rajoutés lorsque ces piles contiennent plus de 0,0005 % de mercure ou 0,004 % de plomb. En vous assurant que ces piles et accumulateurs sont mis au rebut de façon appropriée, vous participez activement à la prévention des conséquences négatives que leur mauvais traitement pourrait provoquer sur l'environnement et sur la santé humaine. Le recyclage des matériaux contribue par ailleurs à la préservation des ressources naturelles. Pour les produits qui pour des raisons de sécurité, de performance ou d'intégrité de données nécessitent une connexion permanente à une pile ou à un accumulateur, il conviendra de vous rapprocher d'un service technique qualifié pour effectuer son remplacement. En rapportant votre appareil électrique en fin de vie à un point de collecte approprié vous vous assurez que la pile ou l'accumulateur incorporé sera traité correctement. Pour tous les autres cas de figure et afin d'enlever les piles ou accumulateurs en toute sécurité de votre appareil, reportez-vous au manuel d'utilisation. Rapportez les piles ou accumulateurs usagés au point de collecte approprié pour le recyclage. Pour toute information complémentaire au sujet du recyclage de ce produit ou des piles et accumulateurs, vous pouvez contacter votre municipalité, votre déchetterie locale ou le point de vente où vous avez acheté ce produit.

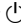
Pièces et commandes

Commandes et voyants




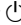
1 (Alimentation) /+/-

Lorsque le téléviseur est éteint,

Appuyez sur  pour l'allumer.

Lorsque le téléviseur est allumé,

Maintenir la touche  enfoncée pour éteindre.

Appuyez sur  plusieurs fois pour changer de fonction, puis appuyez sur la touche + ou - pour :

- Réglage du volume.
- Choix du canal.
- Sélection de la source d'entrée du téléviseur.

2 **Capteur de télécommande* / Capteur de lumière* / Affichage LED**

L'affichage LED s'allume ou clignote selon l'état du téléviseur.

Pour plus d'informations, consultez le Guide d'aide.

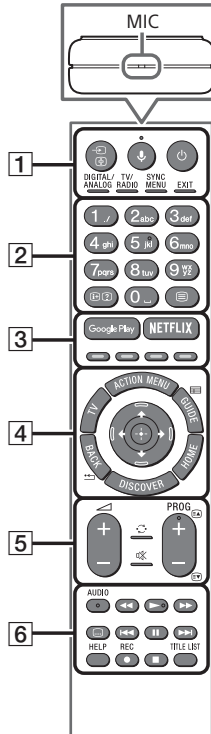
* Ne posez aucun objet à proximité du capteur.

Utilisation de la télécommande

FR

Description des pièces de la télécommande

La forme de la télécommande, l'emplacement, la disponibilité et la fonction des touches de la télécommande peuvent varier selon votre région/pays/modèle de téléviseur.



1 (Sélection de l'entrée/Maintien du Télétexte)

En mode TV : Pour afficher et sélectionner la source d'entrée.

En mode Télétexte : Maintenez la page en cours.

(Microphone)

Pour utiliser la fonction vocale. (Par exemple, pour rechercher du contenu à l'aide de la voix.)

(Veille du téléviseur)

Pour mettre le téléviseur sous ou hors tension (mode veille).

DIGITAL/ANALOG

Passez du mode numérique au mode analogique et vice versa.

TV/RADIO

Passez de la diffusion TV à la diffusion RADIO et vice versa.

SYNC MENU

Affichez le menu BRAVIA Sync.

EXIT

Revenez à l'écran précédent ou quittez le menu. Quand un service d'application interactive est disponible, appuyez sur cette touche pour quitter le service.

2 Touches numériques

(Affichage des infos/du Télétexte)

Affichez des informations.

(Télétexte)

Affichez les informations de Télétexte.

3 Google Play

Accédez au service en ligne « Google Play ».

NETFLIX (Uniquement pour certaines régions, certains pays ou certains modèles de téléviseur)

Accédez au service en ligne « NETFLIX ».

Touches de couleur

Exécutez la fonction correspondante à ce moment.

4 ACTION MENU

Pour afficher la liste des fonctions contextuelles.

TV

- Commutez sur une chaîne télévisée ou une entrée provenant d'autres applications.
- Allumez le téléviseur pour afficher l'entrée ou la chaîne télévisée.

GUIDE/

Affichez le guide des programmes numériques.

BACK/

Revenez à l'écran précédent.

HOME

Affichez le menu Accueil du téléviseur.

DISCOVER

Affichez la barre de contenu pour rechercher du contenu.

(Sélection/validation des options)

5 +/- (Volume)

Réglez le volume.

(Saut)

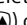
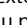
Basculez entre deux chaînes ou entrées. Le téléviseur affiche successivement la chaîne ou l'entrée en cours et la dernière chaîne ou entrée sélectionnée.

(Coupure du son)

Coupez le son. Appuyez à nouveau sur la touche pour rétablir le son.

PROG +/-/**/**

En mode TV : Sélectionnez la chaîne.

En mode Télétexte : Sélectionnez la page suivante () ou précédente ()

6 AUDIO

Modifiez la langue du programme en cours de visionnage.



Utilisez du contenu multimédia sur le téléviseur et le périphérique compatible BRAVIA Sync raccordé.

(Réglage sous-titre)

Activez ou désactivez les sous-titres (lorsque cette fonction est disponible).

HELP

Affichez le menu Aide. Le Guide d'aide est accessible à partir de là.

REC

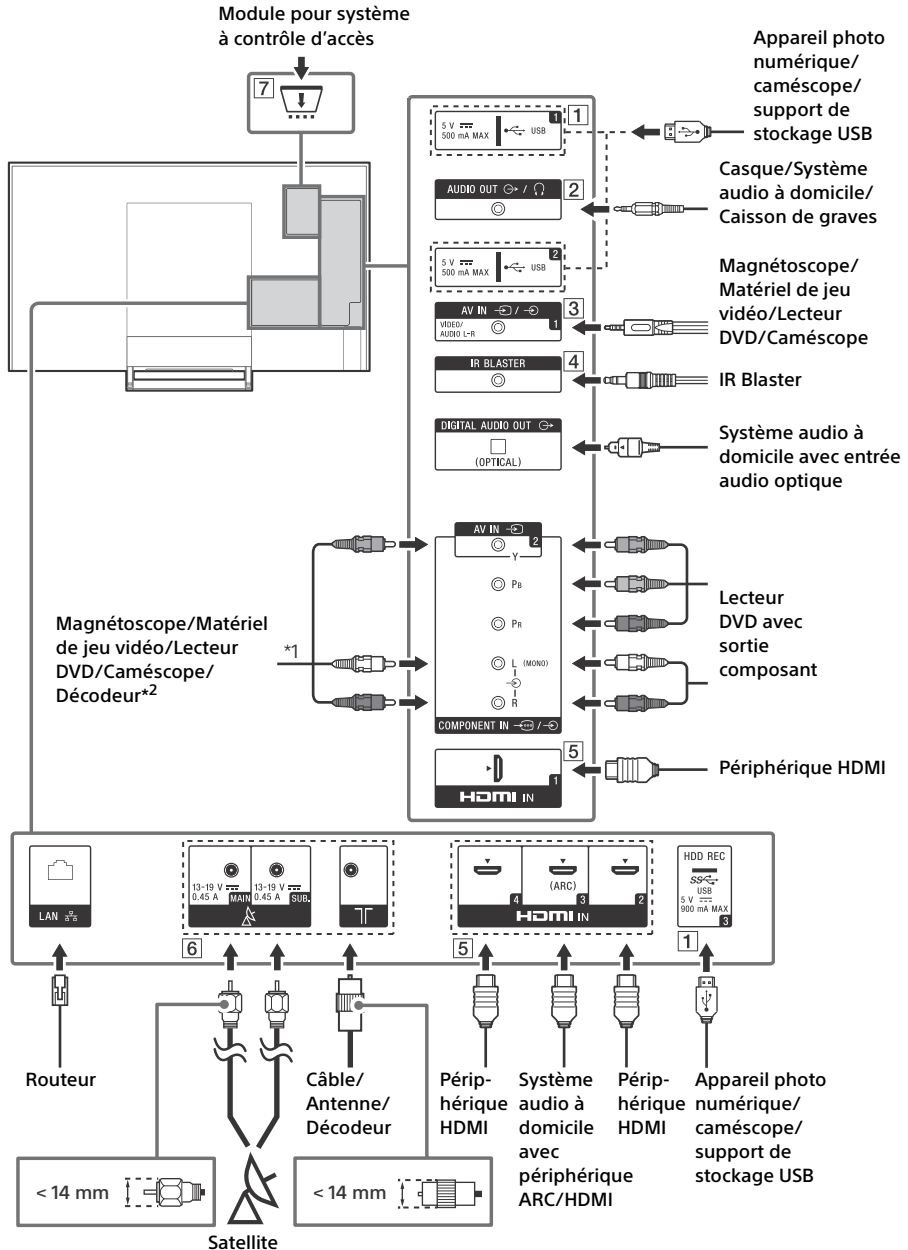
Enregistrez le programme en cours à l'aide de la fonction d'enregistrement sur USB HDD.

TITLE LIST

Affichez la liste des titres.

Schéma de connexion

Pour plus d'informations sur les connexions, référez-vous au Guide d'aide en appuyant sur la touche **HELP** de la télécommande.

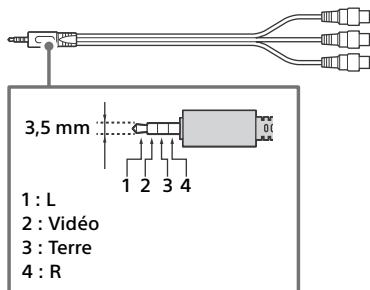


FR

- 1 **USB 1/2, USB 3 (HDD REC)*3**
- Le raccordement d'un grand périphérique USB peut interférer avec les autres périphériques raccordés.
 - Pour raccorder un grand périphérique USB, branchez-le à la prise USB 1.

- 2 **AUDIO OUT**
- Prend en charge une prise stéréo mini à 3 pôles uniquement.
 - Pour écouter le son du téléviseur par l'intermédiaire de l'appareil raccordé, appuyez sur **HOME**. Sélectionnez [Paramètres] → [Son] → [Sortie casque/audio], puis sélectionnez l'élément de votre choix.

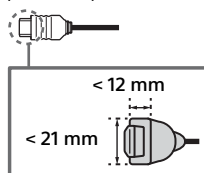
- 3 **AV IN 1**
- Dans le cas d'une connexion composite, utilisez un câble d'extension analogique (non fourni).



4 **IR BLASTER*3**

5 **HDMI IN 1/2/3/4**

- En cas de raccordement à un système audio numérique compatible avec la technologie Audio Return Channel (ARC), utilisez HDMI IN 3. Sinon, un raccordement supplémentaire avec DIGITAL AUDIO OUT (OPTICAL) est nécessaire.



- 6 **(Entrée satellite), (Entrée RF)**
- Raccordements pour le terrestre/câble et le satellite. Étapes de raccordement : SUB. → Antenne → MAIN
 - Pour la prise SUB., n'effectuez le raccordement que lorsque vous utilisez le mode double tuner pour la distribution par câble simple EN50494.

7 **CAM (Module pour système à contrôle d'accès)**

- Permet d'accéder à un service télévisuel payant. Pour plus de détails, reportez-vous au mode d'emploi fourni avec votre CAM.
- N'insérez pas la carte à puce directement dans l'emplacement CAM du téléviseur. Elle doit être insérée dans le module CAM (Module pour système à contrôle d'accès) fourni par votre revendeur agréé.
- CAM n'est pas pris en charge dans certains pays ou certaines régions. Vérifiez auprès de votre revendeur agréé.
- Il se peut qu'un message CAM s'affiche lorsque vous basculez vers un programme numérique après l'utilisation de la vidéo Internet.

*1 Si l'appareil est de type mono, raccordez-le à la prise audio L (MONO).

*2 Pour un périphérique externe équipé uniquement d'une prise PériTel AV OUT, utilisez un adaptateur PériTel-RCA.

*3 Uniquement pour certaines régions, certains pays ou certains modèles de téléviseur.

Installation du téléviseur au mur

Utilisation du support de fixation murale en option

Ce mode d'emploi du téléviseur illustre seulement les étapes nécessaires à la préparation de son installation avant sa fixation au mur.

A l'attention des clients :

Pour protéger le produit et pour des raisons de sécurité, Sony conseille vivement de confier l'installation de votre téléviseur à des revendeurs ou des installateurs agréés Sony. N'essayez pas de l'installer vous-même.

A l'attention des revendeurs et installateurs Sony :

Soyez particulièrement attentif à la sécurité pendant l'installation, l'entretien périodique et l'examen du produit.

Ce produit doit être installé exclusivement par un installateur professionnel ayant été formé pour déterminer la résistance du mur qui devra soutenir le poids du téléviseur. S'il est mal fixé lors de son installation, le téléviseur peut tomber et provoquer des blessures graves. Sony ne saurait être tenue responsable de tout dommage ou de toute blessure découlant d'une mauvaise utilisation ou d'une installation incorrecte, ou encore de l'installation d'un produit autre que celui spécifié. Vos droits légaux (éventuels) ne sont pas affectés.

Utilisez le support de fixation murale SU-WL845 (non fourni) (KD-75XE94xx, KD-65XE93xx uniquement), SU-WL840 (non fourni) (KD-55XE93xx uniquement) ou SU-WL450 (non fourni) (KD-65/55XE93xx uniquement) pour installer le téléviseur sur le mur.

Lorsque vous installez le support de fixation mural, reportez-vous également au Mode d'emploi et au Guide d'installation fournis avec le support de fixation mural.

Remarque

- Les vis que vous retirez doivent être rangées en lieu sûr, hors de portée des enfants.
- Assurez-vous que le mur dispose d'un espace suffisant pour le téléviseur et qu'il peut supporter un poids équivalent à au moins six fois celui du téléviseur.

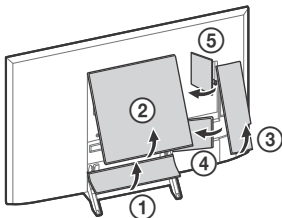


Pour connaître les instructions sur l'installation du support de fixation murale de votre modèle de téléviseur, reportez-vous au site Web suivant :

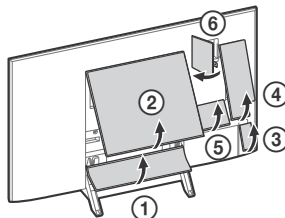
www.sony.eu/tv/wall-mount-bracket-manual

Retirez le couvercle du support et les couvercles des bornes.

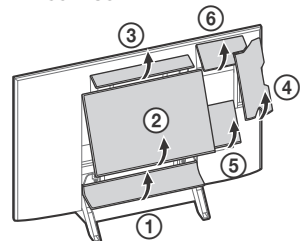
KD-75XE94xx



KD-65XE93xx



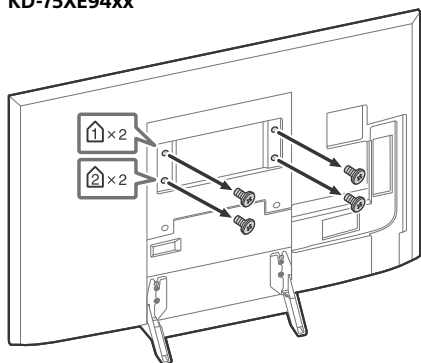
KD-55XE93xx



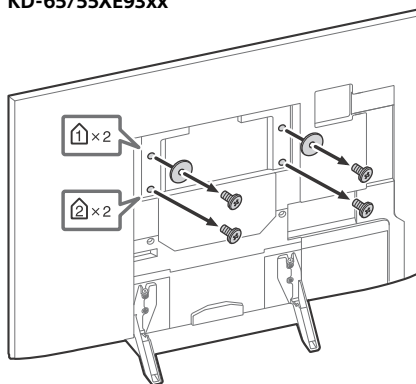
SU-WL845 (KD-75XE94xx, KD-65XE93xx), SU-WL840 (KD-55XE93xx)

Retirez les vis à l'arrière du téléviseur

KD-75XE94xx

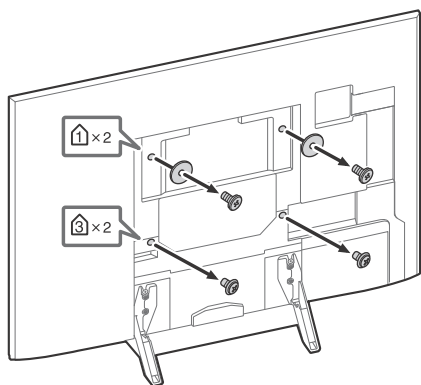


KD-65/55XE93xx

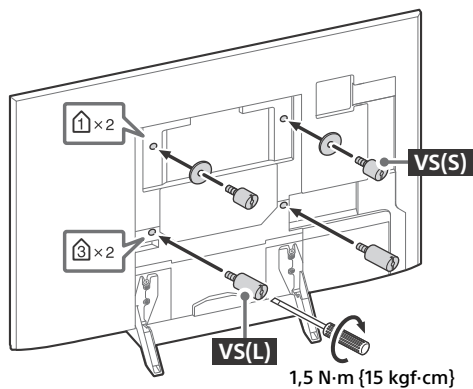


SU-WL450 (KD-65/55XE93xx uniquement)

1 Retirez les vis à l'arrière du téléviseur.



- 2 Fixez les pièces de fixation murale (fournies avec le téléviseur) à l'arrière du téléviseur (de façon à ce qu'elles soient parallèles au mur).



Remarque

- Si vous utilisez un tournevis électrique, réglez le couple à environ 1,5 N·m {15 kgf·cm}.
- Veillez à bien serrer les pièces de fixation murales lorsque vous les fixez au téléviseur. Utilisez uniquement un tournevis plat pour installer les pièces de fixation murale. Utiliser un autre outil peut entraîner un serrage excessif des pièces de fixation murale et endommager le téléviseur.

KD-75XE94xx, KD-55XE93xx uniquement

Votre téléviseur peut être monté sur un support de fixation murale (non fourni) ne faisant pas partie de l'emballage.

Préparez le téléviseur pour le support de fixation murale avant de raccorder les câbles.

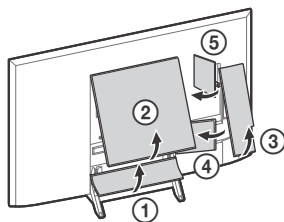
Ce produit doit être installé exclusivement par un installateur professionnel ayant été formé pour déterminer la résistance du mur qui devra soutenir le poids du téléviseur. S'il est mal fixé lors de son installation, le téléviseur peut tomber et provoquer des blessures graves. Sony ne saurait être tenue responsable de tout dommage ou de toute blessure découlant d'une mauvaise utilisation ou d'une installation incorrecte, ou encore de l'installation d'un produit autre que celui spécifié. Vos droits légaux (éventuels) ne sont pas affectés.

Pour garantir la protection du produit et pour des raisons de sécurité, Sony recommande vivement de vous adresser à des techniciens qualifiés afin d'installer votre téléviseur au mur. N'essayez pas de l'installer vous-même.

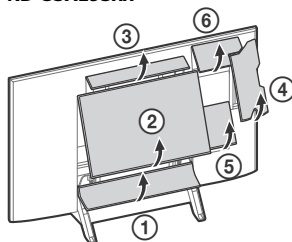
- Suivez les instructions fournies avec le support de fixation murale correspondant à votre modèle.
- Conservez les vis non utilisées et le support de table en lieu sûr avant de pouvoir fixer le support de table. Tenez les vis hors de portée des jeunes enfants.
- Assurez-vous que le mur dispose d'un espace suffisant pour le téléviseur et qu'il peut supporter un poids équivalent à au moins six fois celui du téléviseur.

1 Retirez le couvercle du support et les couvercles des bornes.

KD-75XE94xx

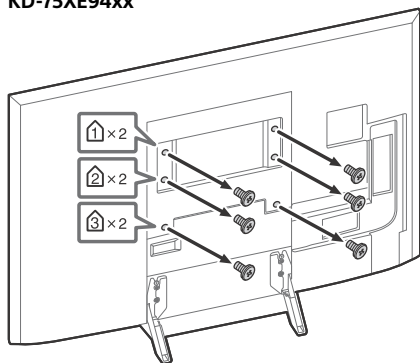


KD-55XE93xx

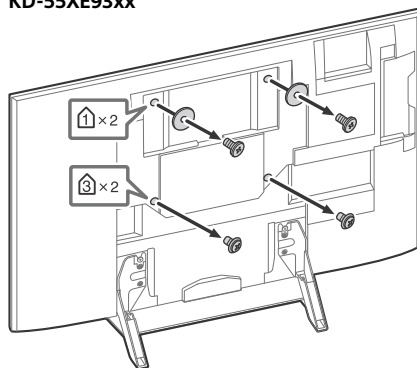


2 Retirez les vis à l'arrière du téléviseur.

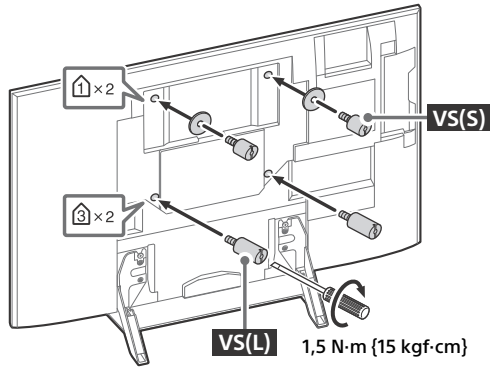
KD-75XE94xx



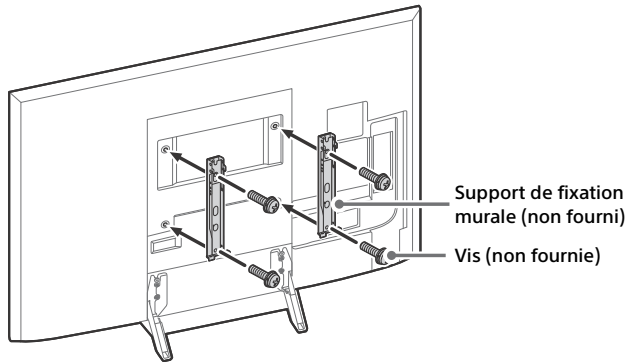
KD-55XE93xx



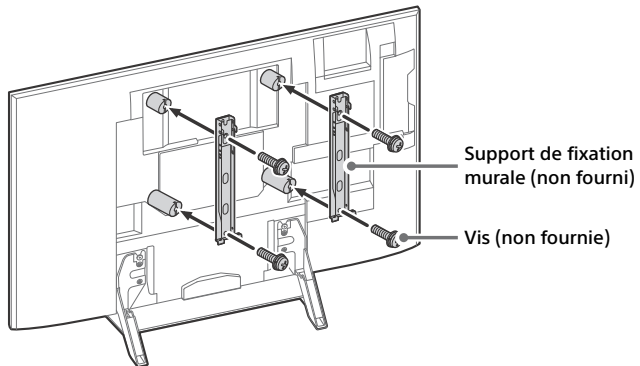
- 3 Fixez les pièces de fixation murale (fournies avec le téléviseur) à l'arrière du téléviseur (de façon à ce qu'elles soient parallèles au mur). (KD-55XE93xx uniquement)



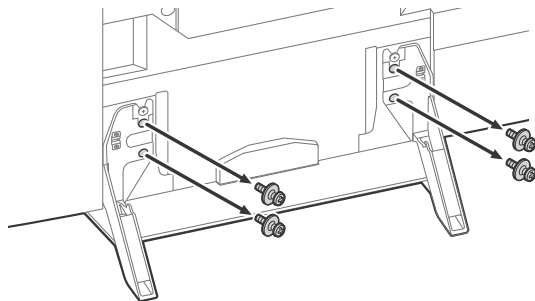
- 4 Fixez le support de fixation murale (non fourni) à l'aide des vis (non fournies).
KD-75XE94xx



KD-55XE93xx



5 Détachez le support de table du téléviseur.



Remarque

- Si vous utilisez un tournevis électrique, réglez le couple à environ 1,5 N·m {15 kgf·cm}.
- Veillez à bien serrer les pièces de fixation murales lorsque vous les fixez au téléviseur. Utilisez uniquement un tournevis plat pour installer les pièces de fixation murale. Utiliser un autre outil peut entraîner un serrage excessif des pièces de fixation murale et endommager le téléviseur.
- Vous ne pouvez pas utiliser certains des supports de câbles situés à l'arrière du téléviseur lorsque vous utilisez un support de fixation murale (non fourni).

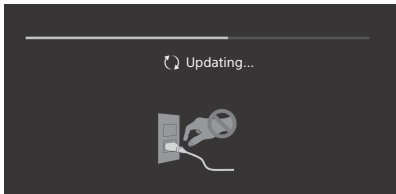
Dépannage

Dépannage général pour les problèmes tels que : écran noir, absence de son, image figée, téléviseur ne réagissant pas ou perte de réseau, suivez les étapes suivantes.

- 1 Redémarrez votre téléviseur en appuyant sur la touche d'alimentation de la télécommande jusqu'à ce qu'un message s'affiche. Le téléviseur redémarre. Si le téléviseur n'est pas rétabli, essayez de débrancher le cordon d'alimentation secteur du téléviseur pendant deux minutes puis rebranchez-le.
- 2 Référez-vous au menu d'aide en appuyant sur la touche **HELP** de la télécommande.
- 3 Connectez votre téléviseur à Internet et exécutez une mise à jour du logiciel.
- 4 Visitez le site Web de support Sony (informations fournies sur le couvercle arrière).

Lorsque le message [Une nouvelle mise à jour logicielle du système de la TV est disponible...] s'affiche.

Sony vous recommande de mettre à jour le logiciel du téléviseur en sélectionnant [Mise à jour maint.]. Ces mises à jours du logiciel améliorent la performance de votre téléviseur ou ajoutent de nouvelles fonctionnalités. L'écran suivant avec [Updating...] (Mise à jour...) s'affiche et l'éclairage LED clignote en blanc pendant la mise à jour du logiciel.



Ne débranchez pas le cordon d'alimentation pendant la mise à jour du logiciel. En effet, la mise à jour du logiciel risquerait de ne pas être menée à son terme et cela pourrait altérer le bon fonctionnement du logiciel. Les mises à jour du logiciel peuvent prendre jusqu'à 15 minutes.

Lorsque vous branchez le téléviseur, ce dernier risque de ne pas pouvoir se mettre sous tension immédiatement même si vous appuyez sur la touche d'alimentation de la télécommande ou du téléviseur.

L'initialisation du système prend du temps. Patientez environ une minute, puis recommencez.

Problèmes et solutions

FR

Lorsque la LED d'éclairage clignote en rouge.

- Comptez le nombre de clignotements (le temps d'intervalle est de trois secondes). Réinitialisez le téléviseur en débranchant le cordon d'alimentation secteur pendant deux minutes, puis remettez le téléviseur sous tension. Si le problème persiste, déconnectez le cordon d'alimentation secteur et contactez votre revendeur ou un Centre de Service Après-Vente Sony en indiquant le nombre de clignotements la LED d'éclairage.

Le service terrestre/par câble ne peut pas être réceptionné.

- Vérifiez le raccordement de l'antenne/câble et les réglages de l'amplificateur.
- Sélectionnez le service terrestre/par câble en appuyant sur la touche **DIGITAL/ANALOG** de la télécommande. Si le service de diffusion n'est pas affiché, appuyez sur **TV** et appuyez sur **DIGITAL/ANALOG**.
- Le signal terrestre peut être supprimé si un signal fort est fourni à proximité. Réglez [LNA (Canal ---)] sur [Non] dans les réglages de syntonisation numérique.
- Après avoir emménagé dans un nouveau domicile ou essayé de recevoir de nouveaux services, tentez une recherche de service en sélectionnant [Recherche des chaînes numériques].

Le service satellite ne peut pas être réceptionné.

- Vérifiez le raccordement du câble satellite.
- Lorsque le message [Signal absent. Surcharge LNB détectée...] s'affiche, débranchez le cordon d'alimentation secteur. Ensuite, assurez-vous que le câble satellite n'est pas endommagé et que la ligne du signal satellite n'est pas court-circuitée dans le connecteur satellite.

La télécommande ne fonctionne pas.

- Remplacez les piles.

Le contrôle parental pour le mot de passe de diffusion a été oublié.

- Saisissez 9999 comme code PIN et sélectionnez [Modifiez le code PIN].

La température augmente autour du téléviseur.

- Si vous utilisez le téléviseur pendant une période prolongée, la température augmente dans la zone qui l'entoure.

Si vous le touchez, vous remarquerez peut-être qu'il est chaud.

Spécifications

Norme

Type d'affichage

Ecran à cristaux liquides, Rétroéclairage LED

Norme de télévision

Selon le pays/la région sélectionnée/le modèle de téléviseur

Analogique : B/G, D/K, I

Numérique : DVB-T/DVB-C
DVB-T2*

Satellite* : DVB-S/DVB-S2

Standard couleur

PAL, SECAM, NTSC3.58 (Vidéo uniquement),
NTSC4.43 (Vidéo uniquement)

Canaux couverts

Selon le pays/la région sélectionnée/le modèle de téléviseur

Analogique : UHF/VHF/Câble

Numérique : UHF/VHF/Cable

Satellite* : Fréquence IF 950-2 150 MHz

Sortie son

KD-75XE94xx, KD-65XE93xx : 10 W + 10 W +
10 W + 10 W + 10 W + 10 W

KD-55XE93xx : 5 W + 5 W + 10 W + 10 W + 10 W +
10 W

Technologie sans fil

Protocole IEEE802.11ac/a/b/g/n

(Il est possible que IEEE802.11ac ne soit pas disponible dans tous les pays/régions.)

Bluetooth Version 4.1

Bande(s) de fréquence : WLAN 2,4 GHz/5 GHz,
Bluetooth 2,4 GHz

Puissance de radio-fréquence transmise :
100 mW MAX

Version logicielle du téléviseur :

PKG_..._...EUA

Appuyez sur la touche **HELP** de la télécommande pour connaître la version logicielle.

* Tous les téléviseurs ne sont pas dotés de la technologie DVB-T2 ou DVB-S/S2 ou d'une borne d'antenne satellite.

Prises d'entrée/sortie

Antenne/câble

Borne 75 ohms externe pour VHF/UHF

Antenne satellite

Connecteur femelle type-F, 75 ohms.

DiSEqC 1.0, LNB 13 V/18 V & 22 kHz tone, Diffusion par câble unique EN50494.

 /  AV IN 1

Entrée audio/vidéo (mini-prise)

COMPONENT IN

YPbPr (Vidéo composante) : 1080p (50, 60 Hz),
1080i (50, 60 Hz), 720p (50, 60 Hz), 576p, 576i,
480p, 480i

Entrée audio (prises phono)

AV IN 2

Entrée vidéo (broche phono partagée avec
l'entrée Y)

HDMI IN 1, 2, 3, 4 (accepte une résolution de 4k,
Compatible HDCP 2.2)

Vidéo :

4096 × 2160p (50, 60 Hz)^{*1*2}, 4096 × 2160p
(24 Hz)^{*1}, 3840 × 2160p (50, 60 Hz)^{*2},
3840 × 2160p (24, 25, 30 Hz), 1080p (30, 50,
60 Hz), 1080/24p, 1080i (50, 60 Hz), 720p
(30, 50, 60 Hz), 720/24p, 576p, 576i, 480p, 480i,
Formats PC

*1 3840 × 2160p est affiché en présence d'une
entrée 4096 × 2160p.

*2 HDMI IN 2 / 3 uniquement.



Audio : PCM linéaire 5,1 canaux : 32, 44,1, 48, 88,2,
96, 176,4 et 192 kHz, 16, 20 et 24 bits, Dolby
Digital, Dolby Digital Plus et DTS

ARC (Audio Return Channel) (HDMI IN 3
uniquement)

(PCM linéaire deux canaux : 48 kHz, 16 bits, Dolby
Digital, Dolby Digital Plus, DTS)

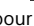
DIGITAL AUDIO OUT (OPTICAL)

Prise optique numérique (PCM linéaire deux
canaux : 48 kHz, 16 bits, Dolby Digital, DTS)

AUDIO OUT  /  (mini-prise stéréo)

Casque, sortie audio, caisson de graves

 1,  2, **SS**  3 (HDD REC)^{*1}

Port pour périphérique USB (**SS**  3 disques
durs USB pour la fonction REC)

Les ports USB 1 et 2 prennent en charge High
Speed USB (USB2.0).

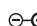
Le port USB 3 prend en charge Super Speed USB
(USB3.0).



Fente CAM (Module pour système à contrôle
d'accès)

LAN

Connecteur 10BASE-T/100BASE-TX (La vitesse de
connexion du réseau peut varier en fonction de
l'environnement d'exploitation. Le débit et la
qualité de la communication 10BASE-T/
100BASE-TX ne sont pas garantis pour ce
téléviseur.)

 DC IN 24 V (modèles dotés de
l'adaptateur secteur fourni uniquement)

Entrée de l'adaptateur secteur

IR BLASTER^{*1}

Entrée de câble IR Blaster (mini-prise)

Autres

Accessoires en option

Support de fixation murale : SU-WL845
(KD-75XE94xx, KD-65XE93xx uniquement)

Support de fixation murale : SU-WL840
(KD-55XE93xx uniquement)

Support de fixation murale : SU-WL450
(KD-65/55XE93xx uniquement)

Températures de fonctionnement

0 °C – 40 °C

Humidité de fonctionnement

10 % – 80 % HR (sans condensation)

Puissance, fiche produit et autres

Tension d'alimentation

sauf les modèles dotés de l'adaptateur secteur
fourni

220 V - 240 V CA, 50 Hz

modèles dotés de l'adaptateur secteur fourni
uniquement

24 V CC avec l'adaptateur secteur fourni

Caractéristiques nominales : Entrée 220 V - 240 V
CA, 50 Hz

Classe d'efficacité énergétique

KD-75XE94xx : B

KD-65XE93xx : A

KD-55XE93xx : B

Taille d'écran (mesurée en diagonale) (Environ.)

KD-75XE94xx : 189,3 cm / 75 pouces

KD-65XE93xx : 163,9 cm / 65 pouces

KD-55XE93xx : 138,8 cm / 55 pouces

Consommation électrique

en mode [Standard]

KD-75XE94xx : 298 W

KD-65XE93xx : 164 W

KD-55XE93xx : 137 W

en mode [Intense]

KD-75XE9405 : 495 W

KD-65XE9305 : 294 W

KD-55XE9305 : 227 W

Consommation électrique annuelle moyenne^{*2}

KD-75XE94xx : 413 kWh

KD-65XE93xx : 227 kWh

KD-55XE93xx : 190 kWh


Consommation électrique en veille^{*3*4}


0,50 W (27 W en mode de mise à jour du logiciel/
EPG)

Résolution d'affichage

3 840 points (horizontal) × 2 160 lignes (vertical)

Puissance de sortie nominale

USB 1/2 : 5 V, , 500 mA MAX.

USB 3 : 5 V, , 900 mA MAX.

Dimensions (Environ.) (l × h × p)

Avec support de table

KD-75XE94xx : 167,3 × 103,7 × 32,5 cm

KD-65XE93xx : 145,1 × 91,3 × 29,5 cm

KD-55XE93xx : 123,2 × 79,0 × 28,2 cm

Sans support de table

KD-75XE94xx : 167,3 × 96,2 × 6,2 cm

KD-65XE93xx : 145,1 × 83,8 × 3,9 cm

KD-55XE93xx : 123,2 × 71,5 × 4,0 cm

Poids (Environ.)

Avec support de table

KD-75XE94xx : 47,6 kg

KD-65XE93xx : 42,4 kg

KD-55XE93xx : 32,6 kg

Sans support de table

KD-75XE94xx : 42,8 kg

KD-65XE93xx : 38,2 kg

KD-55XE93xx : 28,6 kg

*1 Uniquement pour certaines régions, certains pays ou certains modèles de téléviseur.

*2 Consommation électrique par an, en considérant que le poste reste allumé 4 heures par jour pendant 365 jours. La consommation réelle dépendra du mode d'utilisation du téléviseur.

*3 La consommation spécifiée en mode de veille est atteinte une fois que le téléviseur a terminé tous les processus internes nécessaires.

*4 La consommation électrique en veille augmentera lorsque votre téléviseur sera connecté au réseau.

Remarque

- Ne retirez pas le cache de la fente TV CAM (Module pour système à contrôle d'accès), sauf pour la remplacer par une carte à puce insérée dans le CAM.
- La disponibilité des accessoires en option varie selon les pays, les régions, les modèles de téléviseur et les stocks.
- La conception et les spécifications sont sujettes à modification sans préavis.


Notes sur la fonction TV numérique

- La télévision numérique (DVB terrestre, satellite et câble), les services interactifs et les fonctions réseau peuvent ne pas être disponibles dans tous les pays ou régions. Certaines fonctions pourraient ne pas être activées ou pourraient ne pas fonctionner correctement avec certains opérateurs et environnements réseau. Il est possible que certains opérateurs de services télévisuels facturent des frais pour leurs services.

- Ce téléviseur prend en charge la diffusion numérique en utilisant les codecs MPEG-2, H.264/MPEG-4 AVC et H.265/HEVC, mais la compatibilité avec tous les signaux de l'opérateur/service, susceptibles de changer au fil du temps, ne peut pas être garantie.

Informations sur les marques commerciales

- Les termes HDMI et High-Definition Multimedia Interface ainsi que le logo HDMI sont des marques commerciales ou des marques déposées de HDMI Licensing, LLC aux États-Unis et dans d'autres pays.
- Fabriqué sous licence de Dolby Laboratories. Dolby, Dolby Audio et le symbole double-D sont des marques de Dolby Laboratories.
- « BRAVIA » et BRAVIA sont des marques de Sony Corporation.
- Gracenote, Gracenote eyeQ, Gracenote VideoID, Gracenote Video Explore, le logo et le graphisme Gracenote ainsi que le logo « Powered by Gracenote » sont des marques commerciales ou des marques déposées de Gracenote aux États-Unis et/ou dans d'autres pays.
- Opera® Devices SDK. Copyright 1995-2016 Opera TV AS. All rights reserved.
- Wi-Fi, Wi-Fi Direct, Miracast, Wi-Fi Protected Setup et le logo Wi-Fi CERTIFIED sont des marques commerciales ou des marques déposées de Wi-Fi Alliance.
- Pour les brevets DTS, visitez <http://patents.dts.com>. Fabriqué sous licence de DTS, Inc. DTS, le symbole, & DTS et le symbole utilisés conjointement sont des marques déposées tandis que DTS Digital Surround est une marque commerciale de DTS, Inc. © DTS, Inc. Tous droits réservés.
- Les logos et le mot de marque Bluetooth® sont des marques déposées appartenant à Bluetooth SIG, Inc. et toute utilisation de ces marques par Sony Corporation est couverte par une licence. Les autres marques commerciales et noms de marque appartiennent à leurs propriétaires respectifs.

- DiSEqC™ est une marque déposée de EUTELSAT.
Ce téléviseur prend en charge DiSEqC 1.0.
Ce téléviseur n'est pas destiné à commander des antennes à moteur.
- TUXERA est une marque déposée de Tuxera Inc. aux États-Unis et dans d'autres pays.
- Le logo USB-IF SuperSpeed USB Trident est une marque déposée de USB Implementers Forum, Inc. 

Índice

AVISO IMPORTANTE	2
Información de seguridad	3
Precauciones	6
Componentes y controles	8
Controles e indicadores	8
Uso del mando a distancia	9
Descripción de las partes del mando a distancia	9
Diagrama de conexiones	11
Instalación del televisor en una pared	13
Utilización del soporte de pared opcional	13
SU-WL845 (KD-75XE94xx, KD-65XE93xx), SU-WL840 (KD-55XE93xx)	14
SU-WL450 (Sólo KD-65/55XE93xx)	14
Sólo KD-75XE94xx, KD-55XE93xx.	16
Solución de problemas	19
Problemas y soluciones	19
Especificaciones	20

Conexión a Internet y privacidad de datos

Al conectarse una red, este producto se conecta a Internet durante la configuración inicial para, en primer lugar, confirmar la conexión a Internet y, después, configurar la pantalla de inicio. Su dirección IP se utiliza en esta y en otras conexiones a Internet. Si no desea que se utilice su dirección IP en absoluto, no configure la función inalámbrica de Internet y no conecte un cable de Internet. Para obtener más detalles sobre las conexiones a Internet, consulte la información de privacidad mostrada en la pantalla de configuración.

Introducción

Gracias por elegir este producto Sony.
Antes de utilizar el televisor, lea este manual atentamente y consérvelo para consultarlo en el futuro.

Nota

- Antes de utilizar el televisor, lea el apartado "Información de seguridad" (página 3).
- Las imágenes y las ilustraciones utilizadas en la Guía de configuración y este manual son solo ejemplos y pueden no coincidir con el producto real.
- La "xx" que aparece en el nombre del modelo corresponde a un dígito numérico relacionado con el diseño, el color o el sistema del televisor.

Ubicación de la Guía de configuración

La Guía de configuración se encuentra sobre el relleno de protección del interior de la caja del televisor.

Ayuda/Guía de ayuda

La función Ayuda ofrece mucha información sobre su TV. Para utilizar la función Ayuda, pulse **HELP** en el control remoto. Encontrará información sobre cómo resolver problemas en la lista o buscando por palabras clave. Seleccione [Guía de ayuda] del menú Ayuda para ver el manual. Si conecta su TV a Internet, la función Ayuda e información se actualizará.

Ubicación de la etiqueta identificativa

Las etiquetas correspondientes al Número de modelo, a la Fecha de producción (año/mes) y al voltaje de la Fuente de alimentación se encuentran situadas en la parte posterior del televisor o el embalaje. Para acceder a ellas, retire la tapa del pedestal y la tapa central.

Para los modelos con un adaptador de corriente suministrado: Las etiquetas correspondientes al Número de modelo del adaptador de corriente y al Número de serie se encuentran situadas en la base del adaptador de corriente.

ADVERTENCIA

PARA EVITAR LA
PROPAGACIÓN DE
FUEGO, MANTENGA LAS
VELAS U OTRAS LLAMAS
SIEMPRE ALEJADAS DE ESTE
PRODUCTO.



AVISO IMPORTANTE

Este producto ha sido fabricado por, o en nombre de Sony Corporation, 1-7-1 Konan Minato-ku Tokyo, 108-0075 Japón. Las consultas relacionadas con la conformidad del producto basadas en la legislación de la Unión Europea deben dirigirse al representante autorizado, Sony Belgium, bijkantoor van Sony Europe Limited, Da Vincilaan 7-D1, 1935 Zaventem, Bélgica. Para cualquier asunto relacionado con el servicio o la garantía, por favor diríjase a la dirección indicada en los documentos de servicio o garantía adjuntados con el producto.

Nota sobre equipos inalámbricos



Por medio de la presente, Sony Corporation declara que los equipos inalámbricos de los televisores KD-75XE9405, KD-65XE9305, KD-55XE9305 cumplen con los requisitos esenciales y cualesquiera otras disposiciones aplicables o exigibles de la Directiva 1999/5/CE. Para mayor información, por favor consulte el siguiente URL: <http://www.compliance.sony.de/>

Este equipo de radio se puede usar en la UE sin infringir los requisitos aplicables relativos al uso del radioespectro.

Aviso para los clientes: la siguiente información solamente es aplicable a los equipos comercializados en los países que cumplan las directivas de la UE.

El sistema inalámbrico de televisión puede utilizarse en los siguientes países:

AT, BE, HR, CY, CZ, DK, EE, FI, FR, DE, EL, HU, IE, IT, LV, LT, LU, MT, NL, PL, PT, SK, SI, ES, SE, UK, IS, LI, NO, CH, BG, RO, TR, AL, BA, MK, MD, RS, ME, Kosovo

Este producto puede utilizarse en otros países no europeos.

Información de seguridad

AVISO

No exponga las pilas a un calor excesivo, como la luz solar directa o una llama.

No coloque nunca un televisor en una ubicación inestable. Un televisor se puede caer provocando lesiones personales graves o la muerte. Muchas lesiones, particularmente en los niños, pueden ser evitadas tomando simples precauciones como:

- Utilizar armarios o soportes recomendados por el fabricante del televisor.
- Sólo utilizar muebles que puedan soportar con seguridad el televisor.
- Asegurando que el televisor no esté sobresaliendo de la esquina del mueble que lo sostiene.
- No colocando un televisor encima de un mueble alto (por ejemplo, armarios o estanterías) sin fijar tanto el mueble como el televisor a un soporte adecuado.
- No colocando un televisor sobre un paño u otros materiales que puedan estar ubicados entre el televisor y el mueble de soporte.
- Educando a los niños sobre los peligros de subirse a los muebles para alcanzar el televisor o sus controles.

Si tu televisor existente está guardado y se reubica, se han de tener en cuenta las mismas consideraciones citadas anteriormente.

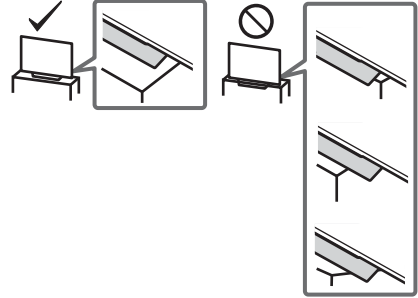
Instalación/configuración

Instale y utilice el televisor siguiendo las instrucciones que se indican a continuación para evitar el riesgo de incendios, descargas eléctricas u otros daños y/o lesiones.

Instalación

- Debe instalar el televisor cerca de una toma de corriente de fácil acceso.
- Coloque el televisor sobre una superficie nivelada y estable para evitar que pueda caerse y provocar daños personales o materiales.
- Instale el televisor en lugares donde no pueda caerse ni sufrir golpes.

- Instale el televisor de modo que el soporte de sobremesa del televisor no sobresalga del soporte para TV (no suministrado). Si el soporte de sobremesa sobresale del soporte para TV, el televisor podría desequilibrarse, caerse y provocar daños personales o estropearse.



- La instalación en pared solo puede ser realizada por personal cualificado.
- Por razones de seguridad, se recomienda utilizar accesorios Sony como:

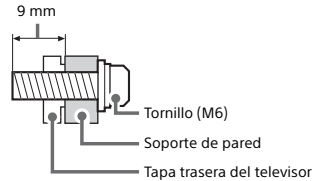
- Soporte de pared SU-WL845 (Sólo KD-75XE94xx, KD-65XE93xx)
- Soporte de pared SU-WL840 (Sólo KD-55XE93xx)
- Soporte de pared SU-WL450 (Sólo KD-65/55XE93xx)

- Asegúrese de utilizar los tornillos suministrados con el soporte de pared al fijar el soporte de pared al televisor. Los tornillos suministrados han sido diseñados tal y como indica la ilustración si se miden desde la superficie de colocación del soporte de pared.

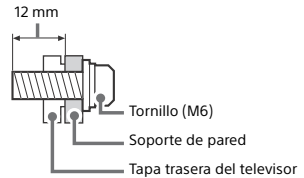
El diámetro y longitud de los tornillos varía en función del modelo de soporte de pared.

Si utiliza otros tornillos, puede provocar un daño interno en el televisor o éste puede caerse, etc.

- Soporte de pared opcional (Sólo SU-WL845, SU-WL840)
Parte superior

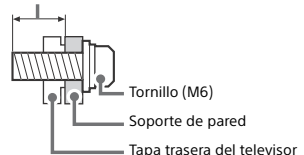


Parte inferior

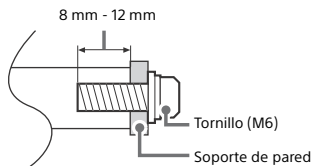


- Soporte de pared opcional (Excepto SU-WL845, SU-WL840)
KD-75XE94xx

9 mm - 13 mm

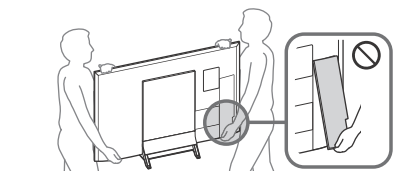
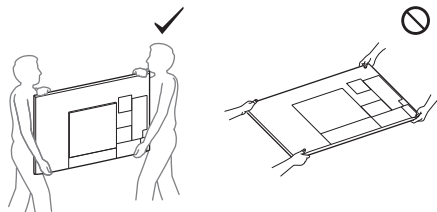


KD-65/55XE93xx

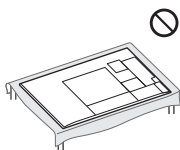


Transporte

- Desconecte todos los cables antes de transportar el televisor.
- Se necesitan dos o tres personas para transportar un televisor grande.
- Al transportar el televisor manualmente, sujételo de la forma descrita a continuación. No ejerza presión sobre la pantalla LCD ni el marco que la rodea.

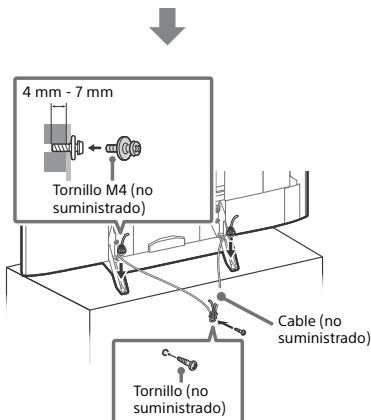
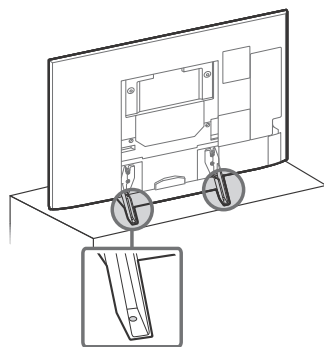


- Cuando manipule o monte el televisor, no lo tumbé boca abajo.



- Durante el transporte, no someta el televisor a sacudidas o vibraciones excesivas.
- Cuando transporte el televisor para repararlo o cuando lo cambie de sitio, embálelo con la caja y el material de embalaje originales.

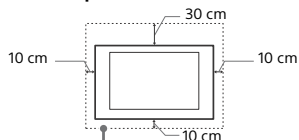
Prevención de volcado



Ventilación

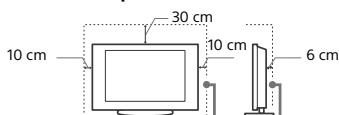
- Nunca obstruya, cubra ni inserte nada en los orificios de ventilación del aparato.
- Deje espacio alrededor del televisor, tal y como se muestra a continuación.
- Se recomienda utilizar el soporte de pared de Sony para que el aire circule correctamente.

Instalación en la pared



Deje, como mínimo, estas distancias alrededor del televisor.

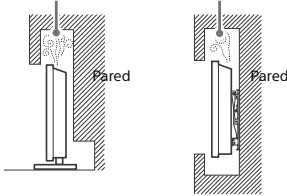
Instalación sobre pedestal



Deje, como mínimo, estas distancias alrededor del televisor.

- Para garantizar una ventilación apropiada y evitar la acumulación de suciedad o polvo:
 - No instale el televisor boca arriba, boca abajo, hacia atrás ni de lado.
 - No instale el televisor en un estante, sobre una alfombra, sobre una cama o dentro de un armario.
 - No cubra el televisor con tejidos como cortinas, ni otros objetos como periódicos, etc.
 - No instale el televisor como se muestra a continuación.

La circulación de aire queda obstruida.



Cable de alimentación

Utilice el cable y el enchufe tal y como se indica a continuación para evitar el riesgo de incendios, descargas eléctricas u otros daños y/o lesiones:

- Utilice únicamente cables de alimentación suministrados por Sony. No utilice cables de otros proveedores.
- Inserte el enchufe totalmente en la toma de corriente.
- Este televisor sólo funciona con alimentación de 220 V - 240 V.
- Cuando conecte los cables, no olvide desenchar el cable de alimentación por razones de seguridad y evite tropezar o enredarse con los cables.
- Desenchufe el cable de alimentación antes de manipular o desplazar el televisor.
- Mantenga el cable de alimentación alejado de fuentes de calor.
- Desconecte el enchufe y límpielo regularmente. Si se acumula polvo o humedad en el enchufe, puede deteriorarse el aislamiento y producirse un incendio.

Nota

- No utilice el cable de alimentación suministrado con otros equipos.
- No apriete, doble ni retuerza excesivamente el cable de alimentación. Los conductores internos podrían quedar al descubierto o romperse.
- No modifique el cable de alimentación.
- No coloque ningún objeto pesado encima del cable de alimentación.
- No tire del cable para desconectarlo.
- No conecte demasiados aparatos a la misma toma de corriente.
- No utilice una toma de corriente de mala calidad.

NOTA SOBRE EL ADAPTADOR DE CORRIENTE (solo modelos con adaptador de corriente suministrado)

Aviso

Para reducir el riesgo de incendios o electrocución, no exponga el aparato a la lluvia ni a la humedad.

- Para evitar el riesgo de incendio o electrocución, no coloque sobre el aparato objetos que contengan líquidos como, por ejemplo, un jarrón. No instale el equipo en un espacio cerrado, como una estantería o un mueble similar.
- Asegúrese de que la toma de corriente esté situada cerca del equipo y sea de fácil acceso.
- Utilice siempre el adaptador de corriente y el cable de alimentación suministrados.
- No utilice otros adaptadores de corriente. De lo contrario, podría ocasionar un fallo de funcionamiento.
- Conecte el adaptador de corriente a una toma de corriente de fácil acceso.
- No enrolle el cable de alimentación alrededor del adaptador de corriente. El núcleo del cable podría desgarrarse y podría producirse un error en el receptor multimedia.



- No toque el adaptador de corriente con las manos mojadas.
- Si detecta alguna anomalía en el adaptador de corriente, desconéctelo inmediatamente de la toma de corriente.
- El equipo no se desconecta de la red mientras siga conectado a la toma de corriente, aunque lo haya apagado.
- El adaptador de corriente alcanza una temperatura elevada cuando se utiliza durante un período prolongado, por lo que tal vez lo note caliente al tacto.

Uso prohibido

No instale/utilice el televisor en lugares, entornos o situaciones como las descritas a continuación ya que el televisor podría funcionar mal y provocar un incendio, una descarga eléctrica u otros daños y/o lesiones.

Lugares:

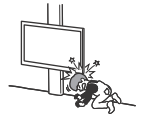
- Espacios exteriores (con luz solar directa), en la costa, en una embarcación, dentro de un vehículo, en centros sanitarios, ubicaciones inestables, cerca del agua, la lluvia, humedad o humo.

Entornos:

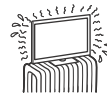
- Lugares cálidos, húmedos o con excesivo polvo; lugares en los que puedan entrar insectos; lugares expuestos a vibraciones mecánicas, o lugares próximos a objetos inflamables (velas, etc.). No exponga el televisor a goteos ni salpicaduras ni coloque sobre el aparato ningún objeto lleno de líquido como los floreros.

Situaciones:

- Uso con las manos mojadas, si se ha extraído la carcasa o con accesorios no recomendados por el fabricante. Desconecte el televisor del cable de alimentación y de la antena durante las tormentas eléctricas.
- Instalar el televisor de manera que sobresalga hacia un espacio abierto. Podría provocar lesiones o daños a las personas u objetos que pudieran impactar con el televisor.



- Colocar el televisor en un espacio húmedo o polvoriento o en una habitación expuesta a humos o vapores grasientos (cerca de cocinas o humidificadores). Podría producirse un incendio, una descarga eléctrica o una deformación del aparato.
- Instalar el televisor en lugares sometidos a temperaturas extremas como bajo la luz solar directa, cerca de un radiador o de una rejilla de ventilación. El televisor podría calentarse en tales condiciones, lo que podría causar una deformación de la carcasa o un fallo de funcionamiento del televisor.



- Si el televisor se coloca en los vestuarios de unos baños públicos o de un balneario, es posible que sufra daños a causa del azufre suspendido en el aire, etc.



- Para una mejor calidad de imagen, no exponga la pantalla directamente a fuentes de iluminación o a la luz del sol.
- Evite trasladar el televisor de una zona fría a una cálida. Los cambios repentinos de habitación podrían ocasionar condensación de humedad. Esto podría ocasionar que el televisor mostrara imágenes de poca calidad o con un color deficiente. Si esto ocurre, deje que la humedad se evapore por completo antes de encender el televisor.

Piezas rotas:

- No arroje ningún objeto contra el televisor. El cristal de la pantalla podría romperse debido al impacto y causar lesiones graves.
- Si la superficie del televisor se agrieta o se rompe, no la toque sin antes desconectar el cable de alimentación. De lo contrario podría producirse una descarga eléctrica.

Cuando no se utilice

- Si no va a utilizar el televisor durante varios días, desconecte el cable por razones medioambientales y de seguridad.
- El televisor no se desconecta de la toma de corriente cuando se apaga. Desenchúfelo para que quede totalmente desconectado.
- Algunos televisores pueden disponer de funciones que precisen dejarlos en espera para funcionar correctamente.

Niños

- No deje que los niños suban al televisor.
- Mantenga los accesorios pequeños fuera del alcance de los niños para que no los traguen.

Si ocurren los siguientes problemas...

Apague el televisor y desenchúfelo inmediatamente si ocurre cualquiera de los siguientes problemas.

Pida a su distribuidor o al servicio técnico de Sony que le revise el televisor.

Cuando:

- El cable de alimentación está dañado.
- La toma de corriente es de mala calidad.
- El televisor está dañado porque se ha caído, ha sido golpeado o le ha sido arrojado algún objeto.
- Alguna sustancia líquida o sólida cae dentro del televisor.

Acerca de temperatura del TV LCD

Si el TV LCD se utiliza durante un tiempo prolongado, los alrededores del panel se calientan. Si toca esa zona con la mano, podrá notar el calor.

Precauciones

Ver la televisión

- Veala la televisión en una habitación con suficiente iluminación, ya que, si lo hace con poca luz o durante mucho tiempo, somete la vista a un sobreesfuerzo.
- Cuando utilice auriculares, ajuste el volumen de forma que se eviten niveles excesivos, ya que podría sufrir daños en los oídos.

Pantalla LCD

- Aunque la pantalla LCD ha sido fabricada con tecnología de alta precisión y posee píxeles con una eficacia del 99,99 % o superior, pueden aparecer de forma constante unos puntos negros o puntos brillantes de luz (rojos, azules o verdes). No se trata de un fallo de funcionamiento, sino de una característica de la estructura de la pantalla de cristal líquido.
- No presione ni raye el filtro frontal, ni coloque objetos encima del televisor, ya que la imagen podría resultar irregular o la pantalla de cristal líquido podría dañarse.
- Si se utiliza el televisor en un lugar frío, es posible que la imagen se oscurezca o que aparezca una mancha en la pantalla. Esto no significa que el televisor se ha estropeado. Este fenómeno irá desapareciendo a medida que aumente la temperatura.
- Si se visualizan imágenes fijas continuamente, es posible que se produzca un efecto de imagen fantasma que puede desaparecer transcurridos unos segundos.
- Cuando se utiliza el televisor, la pantalla y la carcasa se calientan. No se trata de un fallo de funcionamiento.
- La pantalla LCD contiene una pequeña cantidad de cristal líquido. Siga la normativa local para deshacerse de él.

Tratamiento y limpieza de la superficie de la pantalla y la carcasa del televisor

Desenchufe el cable de alimentación conectado al televisor antes de limpiarlo.

Para evitar la degradación del material o del acabado de la pantalla, tenga en cuenta las siguientes precauciones.

- Para eliminar el polvo de la superficie de la pantalla y la carcasa, pase cuidadosamente un paño suave. Si no consigue eliminar completamente el polvo, humedezca ligeramente el paño con una solución de detergente neutro poco concentrada.
- Nunca pulverice agua o detergente directamente en el televisor. El líquido podría gotear hasta la parte inferior de la pantalla o en zonas externas y penetrar en el televisor, con el consiguiente riesgo de daños en el aparato.
- No utilice nunca estropajos abrasivos, productos de limpieza ácidos o alcalinos, detergente concentrado ni disolventes volátiles, como alcohol, bencina, diluyente o insecticida. Si utiliza este tipo de materiales o expone la unidad a un contacto prolongado con materiales de goma o vinilo, puede dañar el material de la superficie de la pantalla y de la carcasa.
- No toque el televisor con las manos si estuvieran impregnadas con productos químicos como cremas de manos o de filtro solar.
- Se recomienda pasar la aspiradora periódicamente por los orificios de ventilación para que el televisor se ventile adecuadamente.
- Si necesita ajustar el ángulo del televisor, desplácelo lentamente para evitar que se desenganche del soporte.

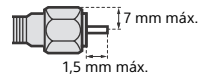


Equipos opcionales

- Sitúe los equipos opcionales o cualquier equipo que emita radiaciones electromagnéticas lejos del televisor. De lo contrario, la imagen puede aparecer distorsionada y/o pueden emitirse ruidos.
- Este equipo ha sido probado y cumple los límites establecidos por la directiva EMC utilizando un cable de conexión de señal de una longitud inferior a 3 metros.
- El equipo ha sido probado y cumple los límites establecidos por la directiva de EMC utilizando un cable para RF de una longitud inferior a 30 metros para el terminal de TV terrestre / satélite / CATV.

Recomendación sobre el conector de tipo F

El cable interno solo puede sobresalir 1,5 mm desde la parte de conexión.



(Ilustración de referencia del conector de tipo F)

Función inalámbrica de la unidad

- No utilice esta unidad cerca de aparatos médicos (marcapasos, etc.), ya que podrían provocar un funcionamiento incorrecto del aparato médico.
- Aunque la unidad transmite o recibe señales aleatorias, preste atención a las posibles intercepciones no autorizadas. No nos responsabilizamos de ningún problema relacionado con este aspecto.
- Este equipo se debe instalar y utilizar manteniendo la antena de este dispositivo alejado al menos 20 cm del cuerpo de personas.

Precauciones acerca del manejo del mando a distancia

- Coloque las pilas con la polaridad correcta.
- No utilice pilas de distintos tipos ni mezcle pilas nuevas con viejas.
- Sea respetuoso con el medio ambiente y deseche las pilas en los contenedores dispuestos para este fin. En ciertas regiones, la eliminación de las pilas está regulada. Consúltelo con las autoridades locales.
- Use el mando a distancia con cuidado. No lo deje caer ni lo pise, ni tampoco derrame sobre él ningún tipo de líquido.
- No deje el mando a distancia cerca de una fuente de calor, en un lugar expuesto a la luz solar directa ni en una habitación húmeda.

Cómo deshacerse del televisor



Tratamiento de los equipos eléctricos y electrónicos al final de su vida útil (aplicable en la Unión Europea y en países europeos con sistemas de tratamiento selectivo de residuos)

Este símbolo en el equipo o en su embalaje indica que el presente producto no puede ser tratado como residuos doméstico normal. Debe entregarse en el correspondiente punto de recogida de equipos eléctricos y electrónicos. Al asegurarse de que este producto se desecha correctamente, usted ayuda a prevenir las consecuencias potencialmente negativas para el medio ambiente y la salud humana que podrían derivarse de la incorrecta manipulación en el momento de deshacerse de este producto. El reciclaje de materiales ayuda a conservar los recursos naturales. Para recibir información detallada sobre el reciclaje de este producto, póngase en contacto con el ayuntamiento, el punto de recogida más cercano o el establecimiento donde ha adquirido el producto.

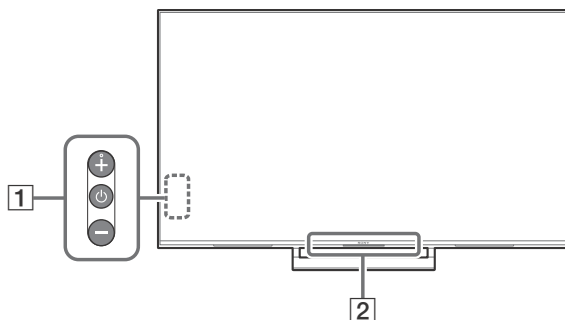


Tratamiento de las baterías al final de su vida útil (aplicable en la Unión Europea y en países europeos con sistemas de tratamiento selectivo de residuos)

Este símbolo en la batería o en el embalaje indica que la batería proporcionada con este producto no puede ser tratada como un residuo doméstico normal. En algunas baterías este símbolo puede utilizarse en combinación con un símbolo químico. El símbolo químico del mercurio (Hg) o del plomo (Pb) se añadirá si la batería contiene más del 0,0005 % de mercurio o del 0,004 % de plomo. Al asegurarse de que estas baterías se desechan correctamente, usted ayuda a prevenir las consecuencias potencialmente negativas para el medio ambiente y la salud humana que podrían derivarse de la incorrecta manipulación en el momento de deshacerse de la batería. El reciclaje de materiales ayuda a conservar los recursos naturales. En el caso de productos que por razones de seguridad, rendimiento o mantenimiento de datos sea necesaria una conexión permanente con la batería incorporada, esta batería solo deberá ser reemplazada por personal técnico cualificado para ello. Para asegurarse de que la batería será tratada correctamente, entregue el producto al final de su vida útil en un punto de recogida para el reciclado de aparatos eléctricos y electrónicos. Para las demás baterías, consulte la sección donde se indica cómo extraer la batería del producto de forma segura. Deposite la batería en el correspondiente punto de recogida para el reciclado de baterías. Para recibir información detallada sobre el reciclaje de este producto o de la batería, póngase en contacto con el ayuntamiento, el punto de recogida más cercano o el establecimiento donde ha adquirido el producto.

Componentes y controles

Controles e indicadores



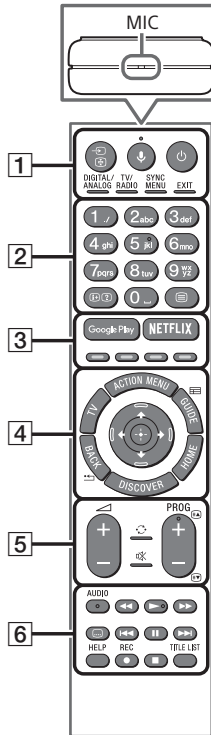
- 1** **(Alimentación) / +/-**
Cuando el TV está apagado,
Pulse para encender.
Cuando el TV está encendido,
Para apagar, mantenga pulsado .
Pulse varias veces para cambiar la función y, a continuación, pulse el botón + o - para:
- Ajustar el volumen.
 - Seleccionar el canal.
 - Seleccionar la fuente de entrada del TV.
- 2** **Sensor del mando a distancia* / Sensor de luz* / LED de iluminación**
El LED de iluminación se enciende o parpadea según el estado del televisor.
Para obtener más información, consulte la Guía de ayuda.

* No coloque nada cerca del sensor.

Uso del mando a distancia

Descripción de las partes del mando a distancia

La forma del mando a distancia, la posición, la disponibilidad y la función del botón del mando a distancia pueden variar en función del país, la región o el modelo de televisor.



- 1** (Selección de la entrada/
bloqueo de página)
En el modo televisión: Permite ver y seleccionar la fuente de entrada.
En el modo texto: Permite retener la página actual.

(Micrófono)

Utilice la función de voz. (Por ejemplo, puede buscar distintos contenidos a través de comandos de voz.)

(Modo en espera del televisor)

Permite encender o apagar el televisor (modo en espera).

DIGITAL/ANALOG

Permite alternar entre el modo digital y analógico.

TV/RADIO

Permite alternar entre las emisiones de TV y RADIO.

SYNC MENU

Permite acceder al menú de BRAVIA Sync.

EXIT

Permite volver a la pantalla anterior o salir del menú. Cuando esté disponible un servicio de aplicaciones interactivas, púlselo para salir del servicio.

2 Botones numéricos

/ (Información/datos de texto)

Permite acceder a información.

(Texto)

Permite acceder a información de texto.

3 Google Play

Permite acceder al servicio online "Google Play".

NETFLIX (solo en algunos países/ regiones/modelos de televisor)

Permite acceder al servicio online "NETFLIX".

Botones de colores

Ejecuta la función correspondiente a la hora indicada.

4 ACTION MENU

Muestra una lista de funciones contextuales.

TV

- Permite acceder a un canal de televisión o a una entrada de otras aplicaciones.
- Encienda el televisor para visualizar la entrada o el canal del televisor.

GUIDE/

Muestra la guía de programas digitales.

BACK/

Permite volver a la pantalla anterior.

HOME

Muestra el menú de inicio del televisor.

DISCOVER

Muestra la barra de contenidos para realizar búsquedas.

/ / / / (Selección de opción/Intro)

5 +/- (Volumen)

Ajusta el volumen.

(Saltar)



Permite moverse entre dos canales o entradas. El televisor alterna entre el canal o la entrada actual y el último canal o entrada seleccionado.

(Silenciamiento)

Silencia el sonido. Vuelva a pulsarlo para que se oiga de nuevo.

PROG +/-//

En el modo televisión: Permite seleccionar el canal.

En el modo texto: Permite seleccionar la página siguiente () o la página anterior ()

6 **AUDIO**

Cambia el idioma del programa visualizado en ese momento.

Permite controlar los contenidos del televisor y del dispositivo conectado compatible con BRAVIA Sync.

(Ajuste de subtítulos)

Permite activar y desactivar los subtítulos (cuando esta función está disponible).

HELP

Permite acceder al menú de ayuda. La Guía de ayuda está accesible desde aquí.

REC

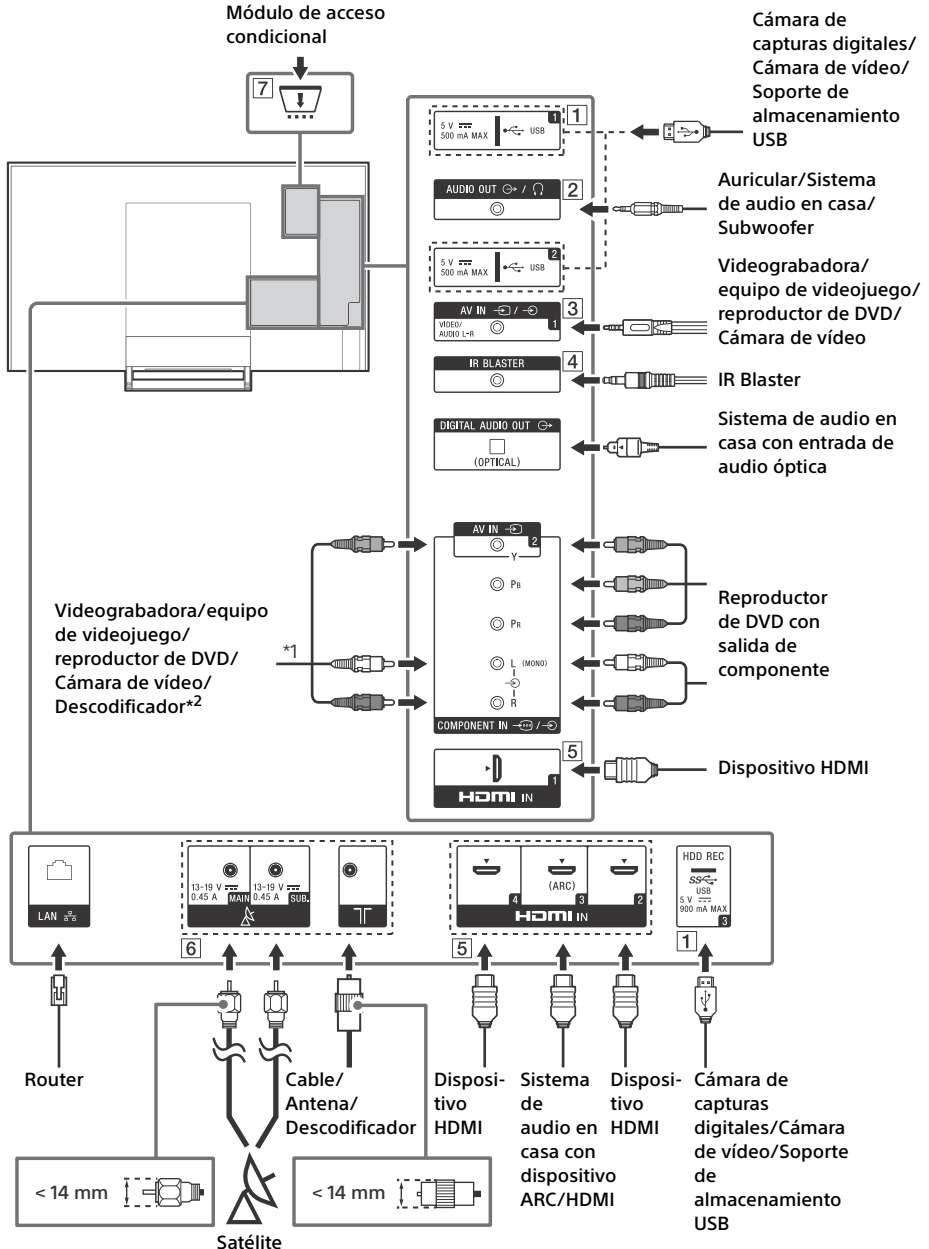
Graba el programa actual con la función de grabación USB HDD.

TITLE LIST

Muestra la lista de títulos.

Diagrama de conexiones

Para obtener más información sobre las conexiones, pulse **HELP** en el mando a distancia para consultar la Guía de ayuda.



ES

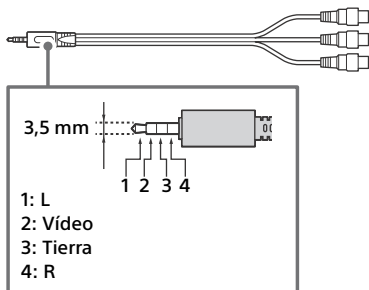
- 1 **USB 1/2**, **USB 3 (HDD REC)*3**
- La conexión de un dispositivo USB grande puede interferir con otros dispositivos conectados que tenga al lado.
 - Cuando tenga que conectar un dispositivo USB grande, conéctelo a la toma USB 1.

2 **AUDIO OUT**

- Soporta solo mini conector estéreo de 3 polos.
- Para escuchar el sonido del televisor a través del equipo conectado, pulse **HOME**. Seleccione [Ajustes] → [Sonido] → [Auriculares/Salida de audio] y, a continuación, seleccione la opción deseada.

3 **AV IN 1**

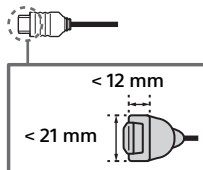
- Para una conexión compuesta, use un cable de extensión analógico (no suministrado).



4 **IR BLASTER*3**

5 **HDMI IN 1/2/3/4**

- Si conecta un sistema de audio digital que sea compatible con la tecnología Canal de Retorno de Audio (ARC), utilice HDMI IN 3. Si no lo es, será necesaria una conexión adicional con DIGITAL AUDIO OUT (OPTICAL).



6 **(Entrada de satélite)**, **(Entrada RF)**

- Conexiones para televisión terrestre/cable y satélite. Pasos para la conexión: SUB. → Antena → MAIN
- Para el conector SUB., conéctelo solo cuando utilice el modo de sintonizador doble excepto para Distribución de cable único EN50494.

7 **CAM (módulo de acceso condicional)**

- Permite acceder a servicios de televisión de pago. Para obtener más información, consulte el manual de instrucciones suministrado con su CAM.
- No inserte la tarjeta inteligente directamente en la ranura CAM del televisor. Debe colocarse en el módulo de acceso condicional proporcionado por su distribuidor autorizado.
- No es posible utilizar la tecnología CAM en algunos países y zonas. Consúltelo a su distribuidor autorizado.
- Es posible que aparezca un mensaje del CAM al acceder a un programa digital después de utilizar el vídeo por Internet.

*1 Al conectar un equipo mono, conéctelo a la toma de audio L (MONO).

*2 Para un dispositivo externo que solo dispone de SCART AV OUT, utilice un adaptador SCART-RCA.

*3 Solo en algunos países/regiones/modelos de televisor.

Instalación del televisor en una pared

Utilización del soporte de pared opcional

El manual de instrucciones de este televisor solo muestra los pasos para preparar la instalación del televisor antes del montaje en la pared.

Para los clientes:

Por motivos de protección del producto y de seguridad, Sony recomienda dejar la instalación del televisor en manos de distribuidores Sony o proveedores autorizados. Nunca intente realizar la instalación sin ayuda.

Para proveedores y distribuidores Sony:

Preste especial atención a la seguridad durante la instalación, el mantenimiento periódico y las revisiones de este producto.

La instalación de este producto debe dejarse siempre en manos de un instalador profesional con la formación necesaria para determinar si la pared tiene la resistencia suficiente para soportar el peso del televisor. En caso de fijación incorrecta durante la instalación, el televisor puede caerse y provocar lesiones graves. Sony no asumirá responsabilidad alguna por las lesiones o daños causados por una manipulación o instalación incorrectas, o por la instalación de un producto distinto del especificado. Esta política no afecta a sus derechos legales (si existieran).

Utilice el soporte de pared SU-WL845 (no suministrado) (solo KD-75XE94xx, KD-65XE93xx), SU-WL840 (no suministrado) (solo KD-55XE93xx) o SU-WL450 (no suministrado) (solo KD-65/55XE93xx) para instalar el televisor en la pared.

Al instalar el Soporte de pared, consulte también el Manual de instrucciones y la Guía de instalación suministrados con el Soporte de pared.

Nota

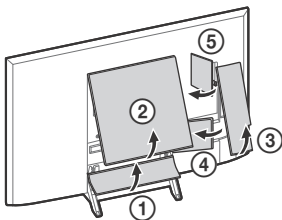
- Guarde los tornillos retirados en un lugar seguro y lejos del alcance de los niños.
- Asegúrese de que la pared tenga suficiente espacio para el televisor y que pueda soportar un peso seis veces superior al del televisor como mínimo.



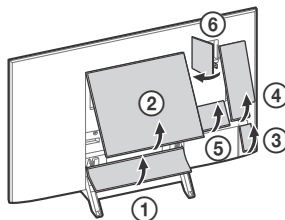
Para consultar las instrucciones sobre la instalación del soporte de pared para su modelo de televisor, consulte el siguiente sitio web:
www.sony.eu/tv/wall-mount-bracket-manual

Retire la cubierta del soporte y las cubiertas del terminal.

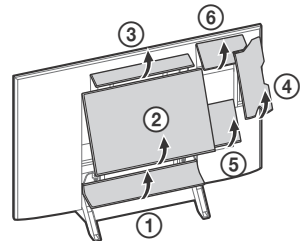
KD-75XE94xx



KD-65XE93xx



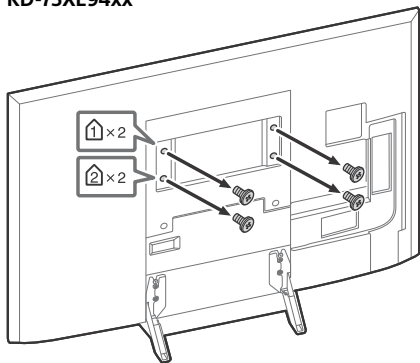
KD-55XE93xx



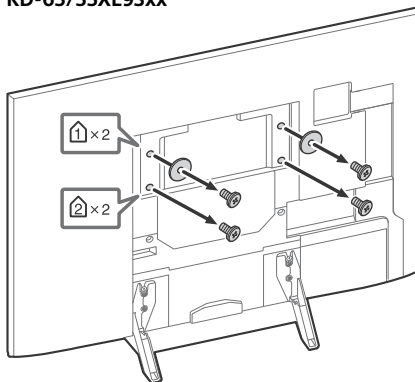
SU-WL845 (KD-75XE94xx, KD-65XE93xx), SU-WL840 (KD-55XE93xx)

Retire los tornillos de la parte trasera del televisor.

KD-75XE94xx

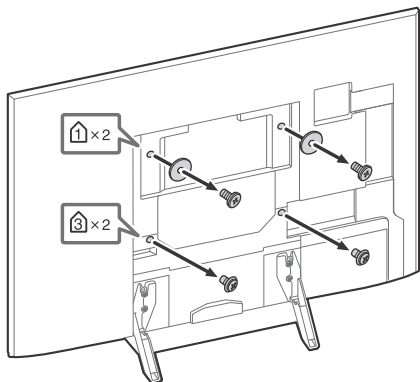


KD-65/55XE93xx

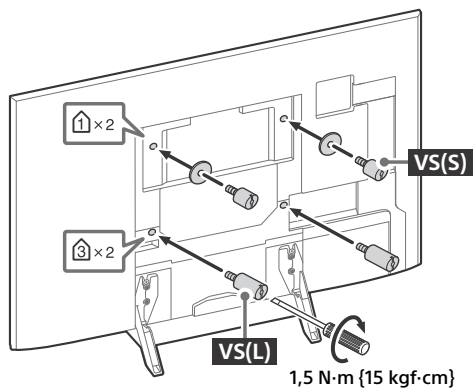


SU-WL450 (Sólo KD-65/55XE93xx)

1 Retire los tornillos de la parte trasera del televisor.



- 2 Una la unión de pared (suministrada con el televisor) a la parte trasera del televisor (para que esté en paralelo a la pared).



Nota

- Si utiliza un destornillador eléctrico, ponga la torsión a aproximadamente $1,5 \text{ N}\cdot\text{m}$ {15 kgf·cm}.
- Asegúrese de apretar la unión a la pared al unirlos al televisor.
Utilice solo un destornillador de cabeza plana para instalar el soporte de pared. Utilizar otra herramienta podría dar como resultado un exceso de torsión del soporte de pared y dañar el televisor.

Sólo KD-75XE94xx, KD-55XE93xx

El televisor puede montarse en un soporte de pared (no suministrado) nada más sacarse de la caja.

Prepare el televisor para el soporte de pared antes de conectar los cables.

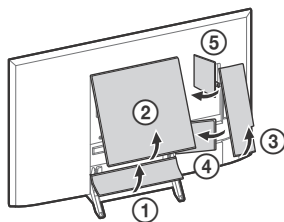
La instalación de este producto debe dejarse siempre en manos de un instalador profesional con la formación necesaria para determinar si la pared tiene la resistencia suficiente para soportar el peso del televisor. En caso de fijación incorrecta durante la instalación, el televisor puede caerse y provocar lesiones graves. Sony no asumirá responsabilidad alguna por las lesiones o daños causados por una manipulación o instalación incorrectas, o por la instalación de un producto distinto del especificado. Esta política no afecta a sus derechos legales (si existieran).

Por motivos de protección del producto y de seguridad, Sony recomienda dejar la instalación del televisor en la pared en manos de profesionales cualificados. No intente instalarlo sin ayuda.

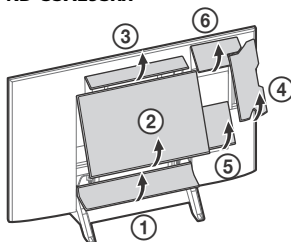
- Siga las instrucciones suministradas con el soporte de pared correspondientes a su modelo.
- Guarde los tornillos que no utilice y el soporte de sobremesa en un lugar seguro hasta que esté a punto para montar el soporte de sobremesa. Mantenga los tornillos lejos del alcance de los niños.
- Asegúrese de que la pared tenga suficiente espacio para el televisor y que pueda soportar un peso seis veces superior al del televisor como mínimo.

1 Retire la cubierta del soporte y las cubiertas del terminal.

KD-75XE94xx

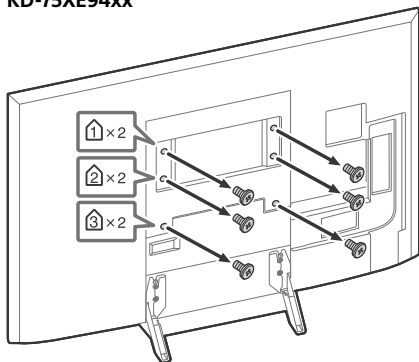


KD-55XE93xx

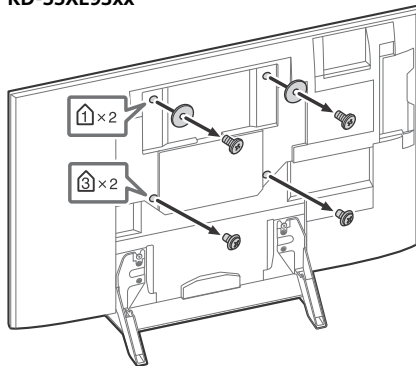


2 Retire los tornillos de la parte trasera del televisor.

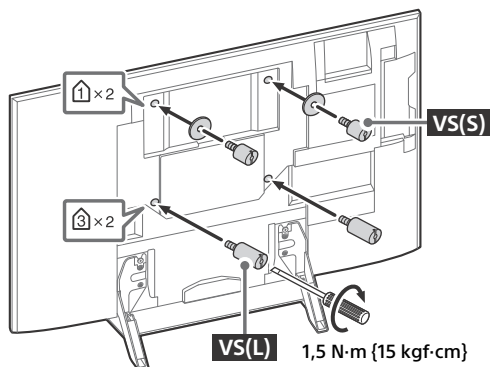
KD-75XE94xx



KD-55XE93xx

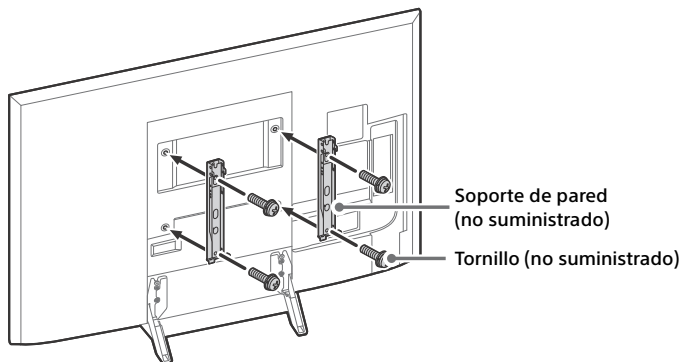


- 3 Una la unión de pared (suministrada con el televisor) a la parte trasera del televisor (para que esté en paralelo a la pared). (Sólo KD-55XE93xx)

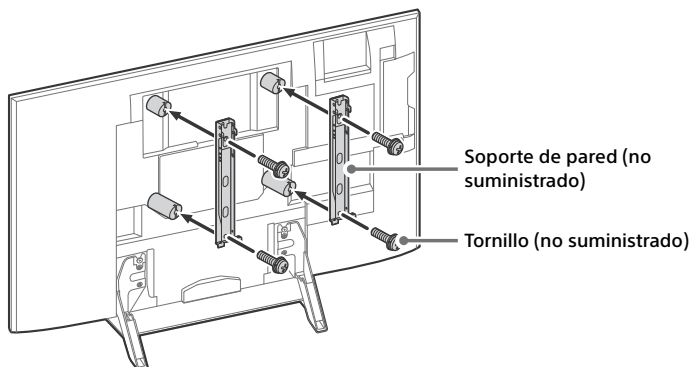


ES

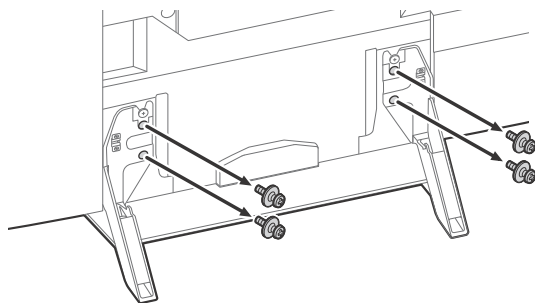
- 4 Coloque el soporte de pared (no suministrado) utilizando sus tornillos (no suministrados).
KD-75XE94xx



KD-55XE93xx



5 Desmonte el soporte de sobremesa del televisor.



Nota

- Si utiliza un destornillador eléctrico, ponga la torsión a aproximadamente 1,5 N·m {15 kgf·cm}.
- Asegúrese de apretar la unión a la pared al unirlos al televisor.
Utilice solo un destornillador de cabeza plana para instalar el soporte de pared. Utilizar otra herramienta podría dar como resultado un exceso de torsión del soporte de pared y dañar el televisor.
- Cuando se usa un Soporte de pared (no suministrado), no se pueden usar algunos de los soportes para cables de la parte posterior del TV.

Solución de problemas

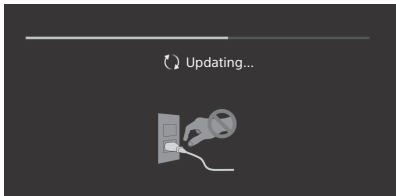
Para la solución de problemas generales en situaciones como, por ejemplo, pantalla negra, no hay sonido, imagen congelada, el televisor no responde o la conexión de red se ha perdido, realice los pasos siguientes.

- 1 Reinicie el televisor pulsando el botón de encendido en el mando a distancia hasta que aparezca un mensaje. El televisor se reiniciará. Si el televisor no recupera su estado, pruebe a desenchufarlo de la corriente durante un par de minutos y, a continuación, vuelva a enchufarlo.
- 2 Para consultar el menú Ayuda, pulse **HELP** en el mando a distancia.
- 3 Conecte el televisor a Internet y realice una actualización de software.
- 4 Visite el sitio web de soporte de Sony (encontrará la información en la contraportada).

Cuando se visualiza el mensaje [Hay una nueva actualización de software del sistema de TV...].

Sony recomienda que seleccione [Actualizar ahora] para actualizar el software del televisor. Estas actualizaciones de software mejoran el rendimiento del televisor y añaden nuevas funciones.

Mientras el software se está actualizando, aparecerá una pantalla en la que se muestra [Updating...] (Actualizando...) y el LED de iluminación parpadeará en blanco.



No desconecte el cable de alimentación de CA durante la actualización del software. De lo contrario, es posible que la actualización no se instale correctamente y el software puede funcionar mal. Las actualizaciones de software pueden durar hasta 15 minutos.

Al conectar el televisor, es posible que no se encienda aunque pulse el botón de encendido del mando a distancia o del televisor.

El sistema tarda un tiempo en inicializarse. Espere aproximadamente un minuto y vuelva a intentarlo.

Problemas y soluciones

Cuando el LED de iluminación parpadea en rojo.

- Cuentе las veces que ha parpadeado (el intervalo de tiempo es de tres segundos). Reinicie el televisor desconectándolo de la corriente durante dos minutos y vuelva a encenderlo. Si el problema continúa, desconecte el cable de alimentación y póngase en contacto con su distribuidor o centro de servicio Sony e indique las veces que el LED de iluminación ha parpadeado.

No se recibe el servicio terrestre/cable.

- Revise la conexión de la antena/cable y la configuración del elevador de tensión.
- Seleccione el servicio terrestre o por cable pulsando **DIGITAL/ANALOG** en el mando a distancia. Si no se mostrase el servicio transmitido, pulse **TV** y a continuación pulse **DIGITAL/ANALOG**.
- La señal terrestre puede quedar anulada si está cerca de otra señal intensa. Ajuste [LNA (Canal ---)] a [No] en los ajustes de sintonización digital.
- Después de mudarse a un nuevo hogar o intentar recibir nuevos servicios, seleccione [Sintonización Digital] para probar un servicio.

No se recibe el servicio de satélite.

- Revise la conexión del cable de satélite.
- Cuando aparezca el mensaje [Sin señal. Se detecta sobrecarga en el LNB...], desenchufe el cable de alimentación. A continuación, asegúrese de que el cable de satélite no esté dañado y que la línea de la señal de satélite no esté cortocircuitada en el conector de satélite.

El mando a distancia no funciona.

- Cambie las pilas.

Se ha olvidado la contraseña del bloqueo paterno de emisión.

- Introduzca el código PIN 9999 y seleccione [Cambiar el código PIN].

La carcasa del televisor se calienta.

- Cuando se utiliza el televisor durante un largo período de tiempo, la carcasa del televisor se calienta.
Es posible que note el calor si la toca con la mano.

Especificaciones

Sistema

Sistema de panel

Panel LCD (pantalla de cristal líquido),
Retroiluminación LED

Sistema de televisión

Según el país/selección de área/modelo de televisor

Análogo: B/G, D/K, I

Digital: DVB-T/DVB-C

DVB-T2*

Satélite*: DVB-S/DVB-S2

Sistema de color

PAL, SECAM, NTSC3.58 (Solo vídeo), NTSC4.43
(Solo vídeo)

Cobertura de canales

Según el país/selección de área/modelo de televisor

Análogo: UHF/VHF/Cable

Digital: UHF/VHF/Cable

Satélite*: Frecuencia IF 950-2 150 MHz

Salida de sonido

KD-75XE94xx, KD-65XE93xx: 10 W + 10 W + 10 W +
10 W + 10 W + 10 W

KD-55XE93xx: 5 W + 5 W + 10 W + 10 W + 10 W +
10 W

Tecnología inalámbrica

Protocolo IEEE802.11ac/a/b/g/n

(Es posible que IEEE802.11ac no esté disponible en
función de los países/regiones.)

Bluetooth versión 4.1

Bandas de frecuencia: WLAN 2,4 GHz/5 GHz,

Bluetooth 2,4 GHz

Potencia de radiofrecuencia transmitida:

Máx. 100 mW

Versión del software del televisor:

PKG_..._...EUA

Para conocer la versión del software pulse **HELP**
en el mando a distancia.

* No todos los televisores cuentan con la tecnología
DVB-T2 o DVB-S/S2 o un terminal de antena satélite.

Conectores de entrada/salida

Antena/Cable

Terminal externo de 75 ohmios para VHF/UHF

Antena de satélite

Conector tipo F hembra, 75 ohmios

DiSeqC 1.0, LNB 13 V/18 V y tono de 22 kHz,

Distribución de cable único EN50494.

 /  AV IN 1

Entrada de vídeo/audio (miniconector)

COMPONENT IN

YPbPr (vídeo por componentes): 1080p (50, 60 Hz), 1080i (50, 60 Hz), 720p (50, 60 Hz), 576p, 576i, 480p, 480i

Entrada de audio (conectores fonográficos)

AV IN 2

Entrada de vídeo (clavija fonográfica normal con entrada Y)

HDMI IN 1, 2, 3, 4 (compatibles con resolución 4K, Compatible con HDCP 2.2)

Vídeo:

4096 × 2160p (50, 60 Hz)^{*1+2}, 4096 × 2160p (24 Hz)^{*1}, 3840 × 2160p (50, 60 Hz)⁺², 3840 × 2160p (24, 25, 30 Hz), 1080p (30, 50, 60 Hz), 1080/24p, 1080i (50, 60 Hz), 720p (30, 50, 60 Hz), 720/24p, 576p, 576i, 480p, 480i, Formatos de PC

*1 Se muestra 3840 × 2160p al recibir 4096 × 2160p.

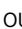

*2 Sólo entradas HDMI IN 2 / 3.

Audio: PCM lineal de 5,1 canales: 32, 44,1, 48, 88,2, 96, 176,4 y 192 kHz, 16, 20 y 24 bits, Dolby Digital, Dolby Digital Plus y DTS

ARC (Audio Return Channel) (sólo HDMI IN 3)
(PCM lineal de dos canales: 48 kHz, 16 bits, Dolby Digital, Dolby Digital Plus, DTS)

DIGITAL AUDIO OUT (OPTICAL)


Toma digital óptica (PCM lineal de dos canales: 48 kHz, 16 bits, Dolby Digital, DTS)

AUDIO OUT  /  (minitoma estéreo)

Auriculares, salida de audio, subwoofer

 1,  2,  3 (HDD REC)^{*1}

Puerto para dispositivo USB (dispositivo HDD)

 3 USB para función REC

Los puertos USB 1 y 2 son compatibles con USB de alta velocidad (USB2.0).

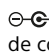
El puerto USB 3 es compatible con Super Speed USB (USB3.0).



Ranura CAM (módulo de acceso condicional)

LAN

Conector 10BASE-T/100BASE-TX (La velocidad de conexión puede variar según el entorno operativo de la red. No se garantizan la frecuencia y la calidad de comunicación de 10BASE-T/100BASE-TX para este televisor.)

 DC IN 24 V (solo modelos con adaptador de corriente suministrado)

Entrada del adaptador de corriente

IR BLASTER^{*1}

Entrada de cable IR Blaster (miniconector)

Otros

Accesorios opcionales

Soporte de pared: SU-WL845 (Sólo KD-75XE94xx, KD-65XE93xx)

Soporte de pared: SU-WL840 (Sólo KD-55XE93xx)

Soporte de pared: SU-WL450

(Sólo KD-65/55XE93xx)

Temperatura de funcionamiento

De 0 °C a 40 °C

Humedad de funcionamiento

10 % - 80 % RH (sin condensación)

Alimentación, ficha de producto y otros

Requisitos de alimentación

excepto modelos con adaptador de corriente suministrado

220 V - 240 V CA, 50 Hz

sólo modelos con adaptador de corriente suministrado

CD 24 V con adaptador de corriente

Clasificación: Entrada 220 V - 240 V CA, 50 Hz

Categoría de eficiencia energética

KD-75XE94xx: B

KD-65XE93xx: A

KD-55XE93xx: B

Tamaño de la pantalla (medida diagonalmente) (Aprox.)

KD-75XE94xx: 189,3 cm / 75 pulgadas

KD-65XE93xx: 163,9 cm / 65 pulgadas

KD-55XE93xx: 138,8 cm / 55 pulgadas

Consumo de energía

En el modo [Estándar]

KD-75XE94xx: 298 W

KD-65XE93xx: 164 W

KD-55XE93xx: 137 W

En el modo [Viva]

KD-75XE9405: 495 W

KD-65XE9305: 294 W

KD-55XE9305: 227 W

Consumo medio de energía anual^{*2}

KD-75XE94xx: 413 kWh

KD-65XE93xx: 227 kWh

KD-55XE93xx: 190 kWh

Consumo de energía en modo de espera^{*3+4}

0,50 W (27 W en el modo de actualización del software/EPG)

Resolución de la pantalla

3 840 puntos (horizontal) × 2 160 líneas (vertical)

Potencia de salida

USB 1/2: 5 V, , 500 mA MÁX.

USB 3: 5 V, , 900 mA MÁX.

Dimensiones (Aprox.) (ancho × alto × fondo)

con el soporte de sobremesa

KD-75XE94xx: 167,3 × 103,7 × 32,5 cm

KD-65XE93xx: 145,1 × 91,3 × 29,5 cm

KD-55XE93xx: 123,2 × 79,0 × 28,2 cm

sin el soporte de sobremesa

KD-75XE94xx: 167,3 × 96,2 × 6,2 cm

KD-65XE93xx: 145,1 × 83,8 × 3,9 cm

KD-55XE93xx: 123,2 × 71,5 × 4,0 cm

Peso (Aprox.)

con el soporte de sobremesa

KD-75XE94xx: 47,6 kg

KD-65XE93xx: 42,4 kg

KD-55XE93xx: 32,6 kg

sin el soporte de sobremesa

KD-75XE94xx: 42,8 kg

KD-65XE93xx: 38,2 kg

KD-55XE93xx: 28,6 kg

*1 Solo en algunos países/regiones/modelos de televisor.

*2 Consumo de energía al año, con el televisor funcionando 4 horas al día durante 365 días. El consumo de energía real depende de la frecuencia de uso del televisor.

*3 El consumo de energía en modo de espera especificado se alcanza cuando el televisor termina los procesos internos necesarios.

*4 El consumo de energía en espera aumenta si el televisor está conectado a la red.

Nota

- No retire la tapa de la ranura TV CAM (módulo de acceso condicional) a menos que vaya a introducir una tarjeta inteligente alojada en un CAM.
- La disponibilidad de los accesorios opcionales depende del país, la región, el modelo de televisor y las existencias.
- El diseño y las especificaciones están sujetos a cambios sin previo aviso.


Nota sobre la función de Televisión digital

- Es posible que los servicios interactivos y las funciones de la red de televisión digital (DVB terrestre, por satélite o por cable) no estén disponibles en todos los países o regiones. Es posible que algunas funciones estén inhabilitadas o que no funcionen correctamente con algunos proveedores y entornos de red. Algunos proveedores de servicio de televisión pueden cobrar una tarifa por sus servicios.

- Este televisor es compatible con emisiones digitales con codificación MPEG-2, H.264/MPEG4 AVC y H.265/HEVC, aunque no es posible garantizar la compatibilidad con todos los operadores y señales de servicio, dado que con el tiempo pueden variar.

Información sobre las marcas comerciales

- Los términos HDMI, Interfaz multimedia de alta definición y el logotipo HDMI son marcas comerciales o marcas registradas de HDMI Licensing LLC en Estados Unidos y otros países.
- Fabricado bajo licencia de Dolby Laboratories. Dolby, Dolby Audio y el símbolo de la doble D son marcas comerciales de Dolby Laboratories.
- "BRAVIA" y BRAVIA son marcas comerciales de Sony Corporation.
- Gracenote, Gracenote eyeQ, Gracenote VideoID, Gracenote Video Explore, el logotipo de Gracenote y el logotipo "Powered by Gracenote" son marcas comerciales registradas o marcas comerciales de Gracenote en Estados Unidos y/u otros países.
- Opera® Devices SDK. Copyright 1995-2016 Opera TV AS. All rights reserved.
- Wi-Fi, Wi-Fi Direct, Miracast, Wi-Fi Protected Setup y el logotipo de Wi-Fi CERTIFIED son marcas comerciales o marcas registradas de Wi-Fi Alliance.
- Para obtener información sobre las patentes DTS, consulte <http://patents.dts.com>. Fabricado con licencia de DTS, Inc. DTS, su símbolo y DTS y el símbolo son marcas comerciales registradas y DTS Digital Surround es una marca comercial de DTS, Inc. © DTS, Inc. Todos los derechos reservados.
- Los logotipos y el nombre de la marca Bluetooth® son marcas registradas propiedad de Bluetooth SIG, Inc. y el uso de dichas marcas por parte de Sony Corporation es siempre con la licencia correspondiente. El resto de marcas comerciales y nombres comerciales son propiedad de sus respectivos propietarios.

- DiSEqC™ es una marca comercial de EUTELSAT.
Este televisor es compatible con DiSEqC 1.0. Este televisor no está diseñado para controlar antenas motorizadas.
- TUXERA es una marca comercial registrada de Tuxera Inc. en los EEUU y otros países.
- El símbolo del tridente de USB SuperSpeed de USB-IF es una marca comercial registrada de USB Implementers Forum, Inc. **SS** 

Inhoudsopgave

BELANGRIJK BERICHT	2
Veiligheidsinformatie	3
Voorzorgsmaatregelen	6
Onderdelen en bedieningselementen . . .	8
Bedieningselementen en aanduidingen . . .	8
De afstandsbediening gebruiken	9
Beschrijving van de onderdelen van de afstandsbediening	9
Aansluitschema	11
De televisie op de wand installeren	13
De optionele wandmontagesteun gebruiken	13
SU-WL845 (KD-75XE94xx, KD-65XE93xx), SU-WL840 (KD-55XE93xx)	14
SU-WL450 (Alleen voor KD-65/55XE93xx)	14
Alleen voor KD-75XE94xx, KD-55XE93xx. . .	16
Problemen oplossen	19
Problemen en oplossingen	19
Specificaties	20

Internetverbinding en privacy van de gegevens

Dit product maakt, zodra een netwerk is aangesloten, verbinding met het internet bij de eerste instelling om de internetverbinding te bevestigen en later om het homescherm te configureren. Hiervoor en voor alle andere internetverbindingen wordt uw IP-adres gebruikt. Als u wilt dat uw IP-adres helemaal niet wordt gebruikt, moet u de draadloze internetfunctie niet instellen en geen internetkabel aansluiten. Zie hiervoor de privacyinformatie die op de instelschermen wordt weergegeven voor meer details over de internetverbinding.

Inleiding

Bedankt dat u hebt gekozen voor dit Sony product. Alvorens de televisie te gebruiken, dient u deze handleiding volledig door te lezen. Bewaar de handleiding voor raadpleging in de toekomst.

Opmerkingen

- Lees voor het bedienen van de televisie de "Veiligheidsinformatie" (pagina 3).
- De afbeeldingen en illustraties die in de installatiehandleiding en de handleiding worden gebruikt, gelden uitsluitend als referentie en kunnen van het actuele product afwijken.
- De "xx" die wordt weergegeven in de modelnaam komt overeen met een cijfer dat betrekking heeft op het ontwerp, de kleur of het televisiesysteem.

Locatie van de installatiehandleiding

De installatiehandleiding is bovenop het kussen in de televisiedoos geplaatst.

Help/Helpgids

De helpfunctie biedt veel informatie over uw TV. Om de Hulpfunctie te gebruiken, drukt u op de afstandsbediening op **HELP**. U kunt instructies en probleemoplossingen vinden door te zoeken in de lijst of op trefwoord. Selecteer [Helpgids] in het Hulpmenu om de handleiding te zien. Als u uw TV met het internet verbindt, wordt de Hulpfunctie en - informatie geüpdatet.

Locatie van het identificatielabel

Het label met het modelnummer, de productiedatum (jaar/maand) en de voedingsklasse bevinden zich op de achterkant van de tv en verpakking. Deze kunt u vinden door de beschermkap van de standaard en de centrale beschermkap te verwijderen.

Voor modellen met een bijgeleverde voedingsadapter: De labels van het modelnummer en serienummer van de voedingsadapter staan op de onderkant van de voedingsadapter.

WAARSCHUWING

OM DE VERSPREIDING
VAN VUUR TEGEN TE
GAAN, HOUDT U KAARSEN OF
ANDERE VUURHAARDEN
ALTIJD UIT DE BUURT VAN DIT
PRODUCT.



BELANGRIJK BERICHT

Dit product werd geproduceerd door of in opdracht van Sony Corporation, 1-7-1 Konan Minato-ku Tokyo, 108-0075 Japan. Vragen met betrekking tot product conformiteit gebaseerd op EU-wetgeving kunnen worden gericht aan de gemachtigde vertegenwoordiger, Sony Belgium, bijkantoor van Sony Europe Limited, Da Vincilaan 7-D1, 1935 Zaventem, België. Voor service- of garantie zaken verwijzen wij u door naar de adressen in de afzonderlijke service of garantie documenten.

Opmerking voor radioapparatuur



Sony Corporation verklaart hierbij dat de radioapparatuur type KD-75XE9405, KD-65XE9305, KD-55XE9305 voldoen aan de essentiële voorschriften en andere relevante bepalingen van Richtlijn 1999/5/EG. Nadere informatie kunt u vinden op: <http://www.compliance.sony.de/>

Deze radioapparatuur kan in de hele EU worden gebruikt zonder inbreuk te maken op de van toepassing zijnde eisen voor het gebruik van het radiospectrum.

Opmerking voor klanten: de volgende informatie is enkel van toepassing voor apparaten die verkocht worden in landen die de EU-richtlijnen in acht nemen.

Het draadloze systeem van een tv kan worden gebruikt in de volgende landen:

AT, BE, HR, CY, CZ, DK, EE, FI, FR, DE, EL, HU, IE, IT, LV, LT, LU, MT, NL, PL, PT, SK, SI, ES, SE, UK, IS, LI, NO, CH, BG, RO, TR, AL, BA, MK, MD, RS, ME, Kosovo

Deze apparatuur kan worden gebruikt in andere niet-Europese landen.

Veiligheidsinformatie

WAARSCHUWING

Batterijen mogen niet worden blootgesteld aan te hoge temperaturen, bijvoorbeeld zonneshij, vuur en dergelijke. Zet een televisie nooit op een instabiele plaats. De televisie kan vallen en zo ernstig persoonlijk letsel of overlijden tot gevolg hebben. Veel letsel, met name bij kinderen, kan worden vermeden door eenvoudige voorzorgsmaatregelen te treffen, zoals:

- Gebruik een kast of een standaard die door de fabrikant van de televisie wordt aanbevolen.
- Gebruik alleen een meubel waar de televisie veilig op kan staan.
- Zorg ervoor dat de televisie niet uitsteekt over de rand van het meubel waarop hij staat.
- Zet de televisie niet op hoog meubilair (bijvoorbeeld kasten of boekenkasten) zonder zowel het meubel als de televisie aan een geschikt steunpunt te verankeren.
- Zet de televisie niet op een kleed of ander materiaal dat ligt tussen de televisie en het meubel waarop hij staat.
- Leer kinderen dat het gevaarlijk is om op een meubel te klimmen om naar de televisie of de bediening te reiken.

Als u uw huidige televisie blijft gebruiken en verplaatst, gelden daarvoor dezelfde overwegingen als hierboven.

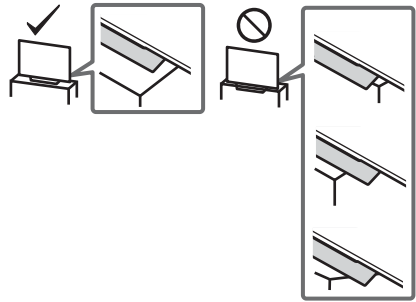
Installatie/configuratie

Installeer en gebruik de televisie volgens de instructies hieronder om het risico op brand, elektrische schok, schade en/of letsel te vermijden.

Installatie

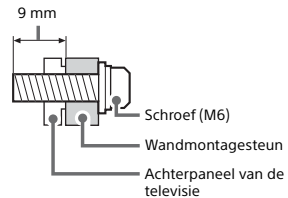
- Het televisietoestel moet in de buurt van een goed toegankelijk stopcontact worden geplaatst.
- Plaats de televisie op een stabiel, horizontaal oppervlak om te vermijden dat hij valt en persoonlijk letsel of schade aan eigendommen veroorzaakt.
- Zet de televisie op een plaats waar er niet aan getrokken of tegen geduwd kan worden, en waar deze niet omver kan vallen.

- Plaats de televisie zodat de tafelstandaard niet buiten de rand van het televisiemeubel (niet bijgeleverd) steekt. Als de tafelstandaard buiten de rand van het televisiemeubel steekt, kan de televisie omkantelen of vallen, met verwondingen of schade aan de televisie als gevolg.

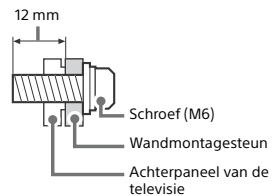


- Laat wandinstallaties alleen door gekwalificeerd servicepersoneel uitvoeren.
- Het wordt om veiligheidsredenen aanbevolen accessoires van Sony te gebruiken, zoals:
 - Wandmontagesteun SU-WL845 (Alleen voor KD-75XE94xx, KD-65XE93xx)
 - Wandmontagesteun SU-WL840 (Alleen voor KD-55XE93xx)
 - Wandmontagesteun SU-WL450 (Alleen voor KD-65/55XE93xx)
- Gebruik de schroeven die bij de wandmontagesteun geleverd zijn voor het bevestigen van de wandmontagesteun aan het televisietoestel. De bijgeleverde schroeven zijn ontworpen zoals aangegeven op de afbeelding, wanneer gemeten vanaf het bevestigingsoppervlak van de wandmontagesteun. De diameter en de lengte van de schroeven verschillen naar gelang het model van de wandmontagesteun. Het gebruik van andere schroeven dan de meegeleverde schroeven kan resulteren in interne schade van het televisietoestel of kan ertoe leiden dat de televisie valt enz.
- Optionele wandmontagesteun (Alleen voor SU-WL845, SU-WL840)

Bovenzijde

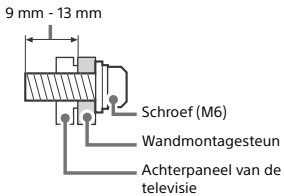


Onderzijde

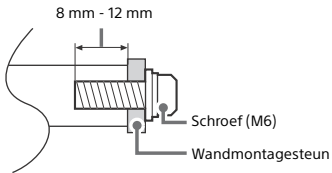


– Optionele wandmontagesteun (Behalve voor SU-WL845, SU-WL840)

KD-75XE94xx

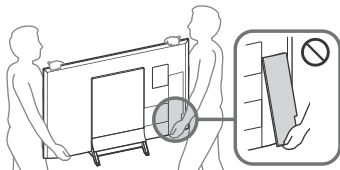
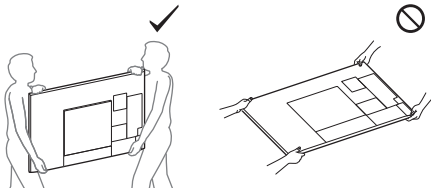


KD-65/55XE93xx

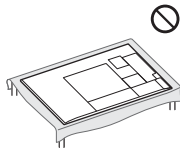


Transport

- Voordat u het televisietoestel transporteert, moet u alle snoeren loskoppelen.
- Voor het transport van een groot televisietoestel zijn twee of drie personen nodig.
- Wanneer de televisie met de hand wordt gedragen, dient u deze als volgt vast te houden. Druk niet tegen het LCD-scherm en het kader rond het scherm.

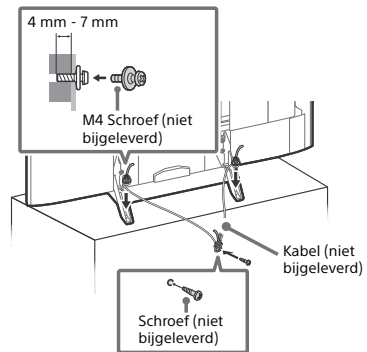
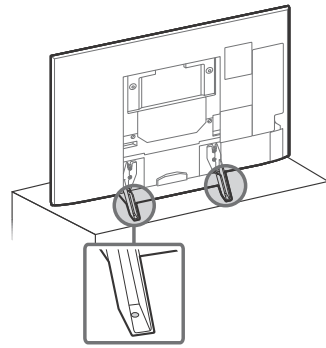


- Bij de behandeling of montage van de televisie, mag u de televisie niet plat neerleggen.



- Wanneer u het televisietoestel vervoert, mag u dit niet blootstellen aan schokken of sterke trillingen.
- Als u het televisietoestel naar de reparateur brengt of vervoert, verpakt u het in de oorspronkelijke doos en verpakkingsmaterialen.

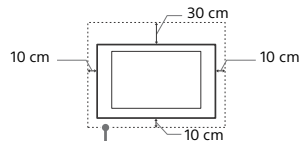
Omvalpreventie



Ventilatie

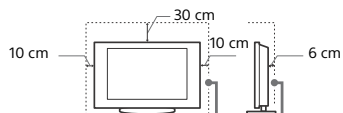
- Bedek nooit de ventilatie-openingen en steek nooit iets daardoor naar binnen.
- Houd ruimte vrij rond het televisietoestel zoals hierna wordt aangegeven.
- Het wordt aanbevolen de wandmontagesteun van Sony te gebruiken voor een goede luchtcirculatie.

Installatie aan de wand



Houd minimaal deze ruimte vrij rond het toestel.

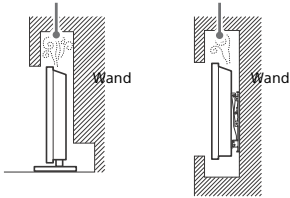
Installatie op de standaard



Houd minimaal deze ruimte vrij rond het toestel.

- Voor een goede ventilatie en om ophoping van vuil en stof te voorkomen:
 - Plaats het televisietoestel niet plat op de grond en installeer het niet ondersteboven, achterstevoren of gedraaid.
 - Installeer het televisietoestel niet op een plank, kleed, bed of in een kast.
 - Dek het televisietoestel niet af met een doek, zoals gordijnen, of voorwerpen als kranten enz.
 - Installeer het televisietoestel niet zoals hierna wordt getoond.

Luchtcirculatie geblokkeerd.



Netsnoer

Hanteer het netsnoer en het stopcontact als volgt om het risico op brand, elektrische schok of schade en/of letsel te vermijden:

- Gebruik alleen Sony-netsnoeren en geen netsnoeren van andere leveranciers.
- Steek de stekker volledig in het stopcontact.
- Gebruik het televisietoestel uitsluitend op een wisselspanning van 220 V - 240 V.
- Koppel voor alle veiligheid het netsnoer los als u de kabels aansluit en let erop dat u niet over de kabels striuvelt.
- Verwijder het netsnoer uit het stopcontact voordat er werkzaamheden aan het televisietoestel worden uitgevoerd of het wordt verplaatst.
- Houd het netsnoer uit de buurt van warmtebronnen.
- Verwijder de stekker uit het stopcontact en reinig deze regelmatig. Indien de stekker wordt bedekt door stof of vocht, kan de isolatie verslechteren, hetgeen brand kan veroorzaken.

Opmerkingen

- Gebruik het meegeleverde netsnoer niet voor andere apparatuur.
- Zorg dat het netsnoer niet te veel wordt afgeklemd, gebogen of gedraaid. Hierdoor kunnen de draden worden blootgelegd of doorgesneden.
- Pas het netsnoer niet aan.
- Plaats geen zware voorwerpen op het netsnoer.
- Trek nooit aan het netsnoer zelf als dit wordt losgekoppeld.
- Sluit niet te veel apparaten aan op hetzelfde stopcontact.
- Gebruik geen stopcontact waarbij de stekker slecht contact maakt.

OPMERKING OVER STROOMADAPTER (alleen modellen met bijgeleverde voedingsadapter)

Waarschuwing

- Stel dit toestel niet bloot aan regen of vocht om het risico op brand of een elektrische schok te vermijden. Plaats geen voorwerpen die met een vloeistof gevuld zijn, zoals een vaas, op het toestel om brand of een elektrische schok te vermijden. Installeer dit apparaat niet in een besloten ruimte zoals een boekenrek of dergelijke.
- Zorg ervoor dat het stopcontact zich in de buurt van het toestel bevindt en gemakkelijk bereikbaar is.
 - Gebruik de stroomadapter en het netsnoer die bij de televisie zijn geleverd.
 - Gebruik geen andere stroomadapter. Dit kan een storing veroorzaken.
 - Sluit de stroomadapter aan op een gemakkelijk bereikbaar stopcontact.
 - Rol het netsnoer niet op rond de stroomadapter. De draad kan doorgesneden worden en/of dit kan een storing van de mediaontvanger veroorzaken.
 - Raak de stroomadapter niet met natte handen aan.



- Als u iets abnormaals aan de stroomadapter opmerkt, verwijder deze dan meteen uit het stopcontact.
- Zolang als de stekker van het toestel in het stopcontact steekt, is het toestel niet afgekoppeld van het net, zelfs als het is uitgeschakeld.
- Bij langdurig gebruik kan de stroomadapter warm worden. De adapter kan heet aanvoelen als u deze met de hand aanraakt.

Verboden gebruik

Installeer/gebruik het televisietoestel niet op locaties, in omgevingen of situaties die hierna worden weergegeven. Het televisietoestel kan dan slecht gaan functioneren en brand, elektrische schok, schade en/of letsel veroorzaken.

Locaties:

- Buiten (in direct zonlicht), aan de kust, op een schip of ander vaartuig, in een voertuig, in medische instellingen, op instabiele locaties, in de buurt van water, regen, vocht of rook.

Omgevingen:

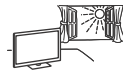
- Locaties die heet, vochtig of zeer stoffig zijn; waar insecten kunnen binnendringen; waar het toestel kan worden blootgesteld aan mechanische trillingen, in de buurt van brandbare voorwerpen (kaarsen enz.). Stel het televisietoestel niet bloot aan druppels of spetters en plaats geen met vloeistof gevulde voorwerpen, zoals vazen, op het toestel.

Situaties:

- Het gebruik met natte handen, als de kast is verwijderd of met bevestigingen wordt niet aangeraden door de fabrikant. Verwijder de stekker van het televisietoestel uit het stopcontact en ontkoppel de antenne tijdens onweer.
- Installeer de tv zodat deze uitsteekt in een open ruimte. Als een persoon of voorwerp tegen de tv botst, kan dat tot letsel of schade leiden.



- Plaats de tv in een vochtige of stoffige omgeving of in een kamer met vette rook of stoom (nabij een kookfornuis of luchtbevochtiger). Dat kan leiden tot brand, elektrische schokken of vervorming.
- Installeer de tv op plaatsen die onderworpen zijn aan extreme temperaturen, zoals rechtstreeks zonlicht, nabij een radiator of verwarming met ventilator. De tv kan oververhit raken in dergelijke omstandigheden waardoor de kast kan vervormen en/of storingen van de tv kunnen ontstaan.



- Als de tv in de kleedkamer van een openbare badruimte of hete bron wordt gehangen, kan de tv beschadigd worden door zwavel in de lucht.



- Om de beste beeldkwaliteit te garanderen, mag u het scherm niet blootstellen aan rechtstreekse lichtstralen of zonlicht.
- Vermijd het verplaatsen van de tv van een koude plaats naar een warme plaats. Plotsse veranderingen in de kamertemperatuur kunnen condensatie veroorzaken. Dat kan ervoor zorgen dat de beeld- en/of kleurkwaliteit van de tv slecht is. Als dat het geval is, dient u het vocht volledig te laten verdampen voordat u de tv inschakelt.

Gebroken glas:

- Gooi niets tegen het televisietoestel. Het schermglas kan breken door de impact en ernstig letsel veroorzaken.
- Als het scherm van het televisietoestel barst, mag u het toestel pas aanraken nadat u de stekker uit het stopcontact hebt getrokken. Anders kan dit een elektrische schok veroorzaken.

Wanneer de televisie niet wordt gebruikt

- Als u het televisietoestel een aantal dagen niet gebruikt, dan moet het worden losgekoppeld van de netspanning vanwege milieu- en veiligheidsredenen.
- Als het televisietoestel nog onder spanning staat wanneer het net is uitgeschakeld, trekt u de stekker uit het stopcontact om het televisietoestel volledig uit te schakelen.
- Bepaalde televisietoestellen kunnen over functies beschikken waarvoor het toestel in de stand-by stand moet blijven om correct te werken.

Voor kinderen

- Zorg dat kinderen niet op het televisietoestel klimmen.
- Houd kleine accessoires buiten het bereik van kinderen, zodat deze niet kunnen worden ingeslikt.

In het geval de volgende problemen optreden...

Schakel het televisietoestel uit en verwijder onmiddellijk de netstekker uit het stopcontact als een van de volgende problemen optreedt.

Vraag uw dealer of Sony-servicecentrum het toestel te laten nakijken door gekwalificeerd servicepersoneel.

In het geval:

- het netsnoer is beschadigd.
- het netsnoer niet goed past.
- het televisietoestel is beschadigd omdat het is gevallen, er tegenaan is geslagen of er iets naar is gegooid.
- een vloeibaar of vast voorwerp door de openingen in de kast terecht is gekomen.

Over de temperatuur van de LCD-televisie

Wanneer de LCD-televisie langdurig wordt gebruikt, worden de randen van het beeldscherm warm. U kunt daar warmte voelen bij aanraking met de hand.

Vorzorgsmaatregelen

Televisie kijken

- Kijk televisie met gedempt licht, omdat televisie kijken in het donker of gedurende een lange periode de ogen extra belast.
- Als u een hoofdtelefoon gebruikt, mag u het volume niet te hoog zetten om gehoorbeschadiging te voorkomen.

LCD-scherm

- Hoewel het LCD-scherm is vervaardigd met precisietechnologie en 99,99 % of meer van de pixels werken, kunnen er toch donkere of heldere puntjes (rood, blauw of groen) permanent zichtbaar zijn op het LCD-scherm. Dit is een structureel kenmerk van een LCD-scherm en duidt niet op een defect.
- Druk en kras niet op het scherm en plaats geen voorwerpen op het televisietoestel. Het beeld kan hierdoor vervormen of het LCD-scherm kan beschadigen.
- Als het televisietoestel op een koude plaats wordt gebruikt, kan het beeld vlekkelig of donker zijn. Dit wijst niet op een storing. Dit verschijnsel verdwijnt wanneer de temperatuur stijgt.
- Bij langdurige weergave van stilstaande beelden kunnen spookbeelden optreden. Deze kunnen na enige tijd verdwijnen.
- Het scherm en de kast worden warm als het televisietoestel wordt gebruikt. Dit duidt niet op een defect.
- Het LCD-scherm bevat een kleine hoeveelheid vloeibare kristallen en kwik. Gooi het toestel weg volgens de geldende lokale wetgeving en voorschriften.

Schermpoppervlak/kast van het televisietoestel behandelen en reinigen

Zorg er om veiligheidsredenen voor dat u het netsnoer van het televisietoestel loskoppelt voordat u het reinigt.

Neem de volgende voorzorgsmaatregelen in acht om verkleuring of beschadiging van het materiaal of de coating van het scherm te voorkomen.

- Reinig het scherpoppervlak/de kast met een zachte doek om stof te verwijderen. Bevochtig een zachte doek licht met een verdund reinigingsmiddel bij hardnekkige stofvorming.
- Sproei nooit water of schoonmaakmiddelen rechtstreeks op de tv. Dit kan naar de onderzijde van het scherm lopen of op uitwendige onderdelen terechtkomen en de tv binnendringen, waardoor de tv kan beschadigd raken.
- Gebruik geen schuurponsje, alkalisch/zuurhoudend reinigingsmiddel, schuurpoeder of vluchtig oplosmiddel, zoals alcohol, benzeen, thinner of insectenbestrijdingsmiddel. Het gebruik van dergelijke materialen of het langdurig in aanraking komen met rubber- of vinylmaterialen kan beschadiging van het scherpoppervlak en het materiaal van de kast tot gevolg hebben.
- Raak de televisie niet aan als aan uw hand chemische stoffen zitten, zoals handcrème of zonnebrandcrème.
- Het wordt aanbevolen de ventilatie-openingen regelmatig met de stofzuiger te reinigen om een goede ventilatie te handhaven.
- Als u de hoek van het televisietoestel aanpast, moet u het toestel langzaam verplaatsen om te voorkomen dat het televisietoestel van de standaard schiet.

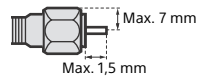


Optionele apparatuur

- Plaats optionele onderdelen of apparatuur die elektromagnetische straling uitzendt op een afstand van het televisietoestel. Anders kan beeldvervalsing en/of ruis optreden.
- Dit toestel is getest en compatibel bevonden met de limieten vermeld in de EMC-richtlijn voor het gebruiken van een verbindingssignaal kabel korter dan 3 meter.
- Dit apparaat is getest en voldoet in combinatie met een RF-kabel korter dan 30 meter aan de voorschriften die gesteld zijn in de EMC-richtlijn voor aansluiting via ether/satelliet/CATV.

Aanbeveling voor de F-stekker

De binnenste kabel mag maximaal 1,5 mm uit het aansluitingsdeel steken.



(Referentieafbeelding van de F-stekker)

Draadloze functie van het toestel

- Gebruik het apparaat niet in de buurt van medisch apparatuur (pacemaker, enz.), aangezien dit tot een defect van het medisch apparaat kan leiden.
- De signalen die dit toestel verzendt/ontvangt zijn gecodeerd, maar toch dient u voorzichtig te zijn met onrechtmatige interceptie. Wij kunnen niet verantwoordelijk worden gesteld voor mogelijke problemen ten gevolge hiervan.
- Dit apparaat moet worden opgesteld en bediend met inachtneming van een tussenruimte van 20 cm of meer tussen de antenne van dit apparaat en iemands lichaam.

Waarschuwing bij gebruik van de afstandsbediening

- Let op de + en de - bij het plaatsen van de batterijen.
- Combineer geen verschillende typen batterijen, of oude en nieuwe batterijen.
- Gooi oude batterijen niet gewoon weg, maar lever ze in. In bepaalde regio's kan het verwerken van batterijen aan regels zijn gebonden. Neem hiervoor contact op met de lokale autoriteiten.
- Hanteer de afstandsbediening met zorg. Laat de afstandsbediening niet vallen, ga er niet op staan en mors er geen vloeistof op.
- Plaats de afstandsbediening niet in de buurt van een warmtebron, op een plek in direct zonlicht of in een vochtige ruimte.

Wegwerpen van het televisietoestel



Verwijdering van oude elektrische en elektronische apparaten (van toepassing in de Europese Unie en andere Europese landen met gescheiden inzamelingsystemen)

Dit symbool op het product of op de verpakking wijst erop dat dit product niet als huishoudelijk afval mag worden behandeld. Het moet echter naar een inzamelingspunt

worden gebracht waar elektrische en elektronische apparatuur wordt gerecycled. Als u ervoor zorgt dat dit product op de correcte manier wordt verwerkt, helpt u mogelijke negatieve gevolgen voor mens en milieu die zouden kunnen veroorzakt worden in geval van verkeerde afvalbehandeling te voorkomen. Het recycleren van materialen draagt bij tot het behoud van natuurlijke bronnen. Voor meer details in verband met het recyclen van dit product, kan u contact opnemen met de gemeentelijke instanties, de organisatie belast met de verwijdering van huishoudelijk afval of de winkel waar u het product hebt gekocht.

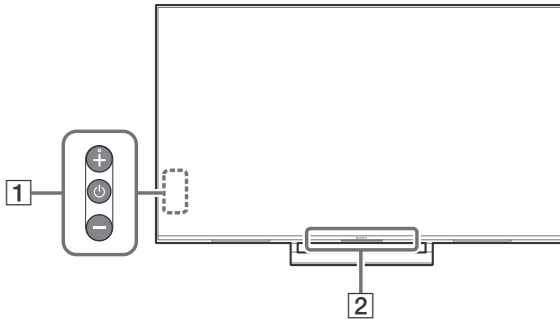


Verwijdering van oude batterijen (van toepassing in de Europese Unie en andere Europese landen met afzonderlijke inzamelingsystemen)

Dit symbool op de batterij of op de verpakking wijst erop dat de batterij, meegeleverd met van dit product niet als huishoudelijk afval behandeld mag worden. Op sommige batterijen kan dit symbool gebruikt worden in combinatie met een chemisch symbool. Het chemisch symbool voor kwik (Hg) of lood (Pb) wordt toegevoegd wanneer de batterij meer dan 0,0005 % kwik of 0,004 % lood bevat. Door deze batterijen op juiste wijze af te voeren, helpt u mogelijke negatieve gevolgen voor mens en milieu die zouden kunnen veroorzakt worden in geval van verkeerde afvalbehandeling te voorkomen. Het recycleren van materialen draagt bij tot het behoud van natuurlijke bronnen. In het geval dat de producten om redenen van veiligheid, prestaties dan wel in verband met data-integriteit een permanente verbinding met een ingebouwde batterij vereisen, mag deze batterij enkel door gekwalificeerd servicepersoneel vervangen te worden. Om ervoor te zorgen dat de batterij op een juiste wijze zal worden behandeld, dient het product aan het eind van zijn levenscyclus overhandigd te worden aan het desbetreffende inzamelingspunt voor de recyclage van elektrisch en elektronisch materiaal. Voor alle andere batterijen verwijzen we u naar het hoofdstuk over hoe de batterij veilig uit het product te verwijderen. Overhandig de batterij aan het desbetreffende inzamelingspunt voor de recyclage van batterijen. Voor meer details in verband met het recyclen van dit product of batterij, kan u contact opnemen met de gemeentelijke instanties, de organisatie het belast met de verwijdering van huishoudelijk afval of de winkel waar u het product hebt gekocht.

Onderdelen en bedieningselementen

Bedieningselementen en aanduidingen



1 ⏻ (Aan/uit) /+/-

Wanneer de televisie uitgeschakeld is:

Druk op ⏻ om de televisie in te schakelen.

Wanneer de televisie ingeschakeld is:

Houd ⏻ ingedrukt om uit te schakelen.

Druk herhaaldelijk op ⏻ om de functie te wijzigen en druk dan op de + of - knop om:

- Het volume aanpassen.
- De zender selecteren.
- De ingangsbron van de televisie selecteren.

2 Afstandsbedieningssensor* / Lichtsensor* / Verlichtingsled

De verlichtingsled licht op of knippert afhankelijk van de status van de televisie.

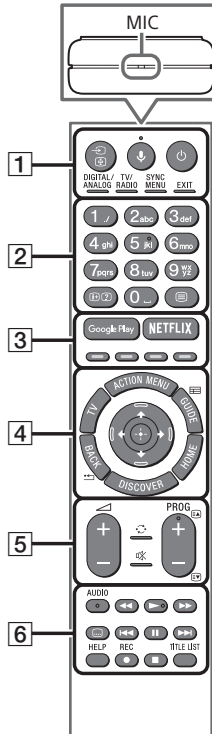
Zie de Helpgids voor meer informatie.

* Plaats niets in de buurt van de sensor.

De afstandsbediening gebruiken

Beschrijving van de onderdelen van de afstandsbediening

De vorm van de afstandsbediening, locatie, beschikbaarheid en functie van de afstandsbedieningsknop kunnen verschillen afhankelijk van uw regio/land en het model van uw televisie.



1 (Ingangsselectie/Tekst vasthouden)

In de televisiestand: De ingangsbron weergeven en selecteren.

In de teletekststand: De huidige pagina aanhouden.

(Microfoon)

U kunt de spraakfunctie gebruiken (bv. verschillende types inhoud zoeken aan de hand van spraakopdrachten).

(tv-stand-by)

Hiermee kunt u de televisie in of uitschakelen (stand-bystand).

DIGITAL/ANALOG

Hiermee kunt u schakelen tussen de digitale en de analoge modus.

TV/RADIO

Hiermee kunt u schakelen tussen TV- of RADIO-uitzendingen.

SYNC MENU

Hiermee kunt u het BRAVIA Sync-menu openen.

EXIT

Hiermee kunt u terugkeren naar het vorige scherm of het menu verlaten. Wanneer er een service voor interactieve toepassing beschikbaar is, drukt u op deze knop om de service te verlaten.

2 Cijfertoetsen

(Info/Tekst tonen)

Hiermee kunt u informatie weergeven.

(Teletekst)

Hiermee kunt u tekstinformatie weergeven.

3 Google Play

Hiermee kunt u de "Google Play"-onlinedienst openen.

NETFLIX (beperkt tot bepaalde regio's/landen/tv-modellen)

Hiermee kunt u de "NETFLIX"-onlinedienst openen.

Kleurtoetsen

Hiermee kunt u de op dat moment geldende functie uitvoeren.

4 ACTION MENU

Hiermee kunt u een lijst met contextuele functies weergeven.

TV

- Hiermee kunt u vanaf een andere toepassing overschakelen naar een televisiezender of -ingang.
- Schakel de televisie in om het televisiezender of de ingang weer te geven.

GUIDE/

Hiermee kunt u de digitale programmagids weergeven.

BACK/

Hiermee kunt u terugkeren naar het vorige scherm.

HOME

Hiermee kunt u het startmenu van de televisie weergeven.

DISCOVER

Hiermee kunt u de inhoudsbalk oproepen om te zoeken naar inhoud.

(item selecteren/bevestigen)

5 +/- (Volume)

Hiermee kunt u het volume regelen.


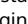
(Overschakelen)

Hiermee kunt u schakelen tussen twee zenders of ingangen. De televisie schakelt tussen de huidige zender of ingang en de vorige zender of ingang die geselecteerd was.

(geluidsonderdrukking)

Hiermee kunt u het geluid dempen. Druk nogmaals om het geluid te herstellen.

PROG +/-/

In de televisiestand: De zender selecteren. In de teletekststand: De volgende () of vorige () pagina selecteren.

6 AUDIO

Hiermee kunt u de taal wijzigen van het programma dat momenteel wordt bekeken.

Hiermee kunt u inhoud op de televisie en op aangesloten BRAVIA Sync-compatibele apparaten bedienen.

(Ondertiteling instellen)

Hiermee kunt u ondertitels in- of uitschakelen (wanneer deze functie beschikbaar is).

HELP

Hiermee kunt u het helpmenu openen. De helpgids kan van hieruit worden geopend.

REC

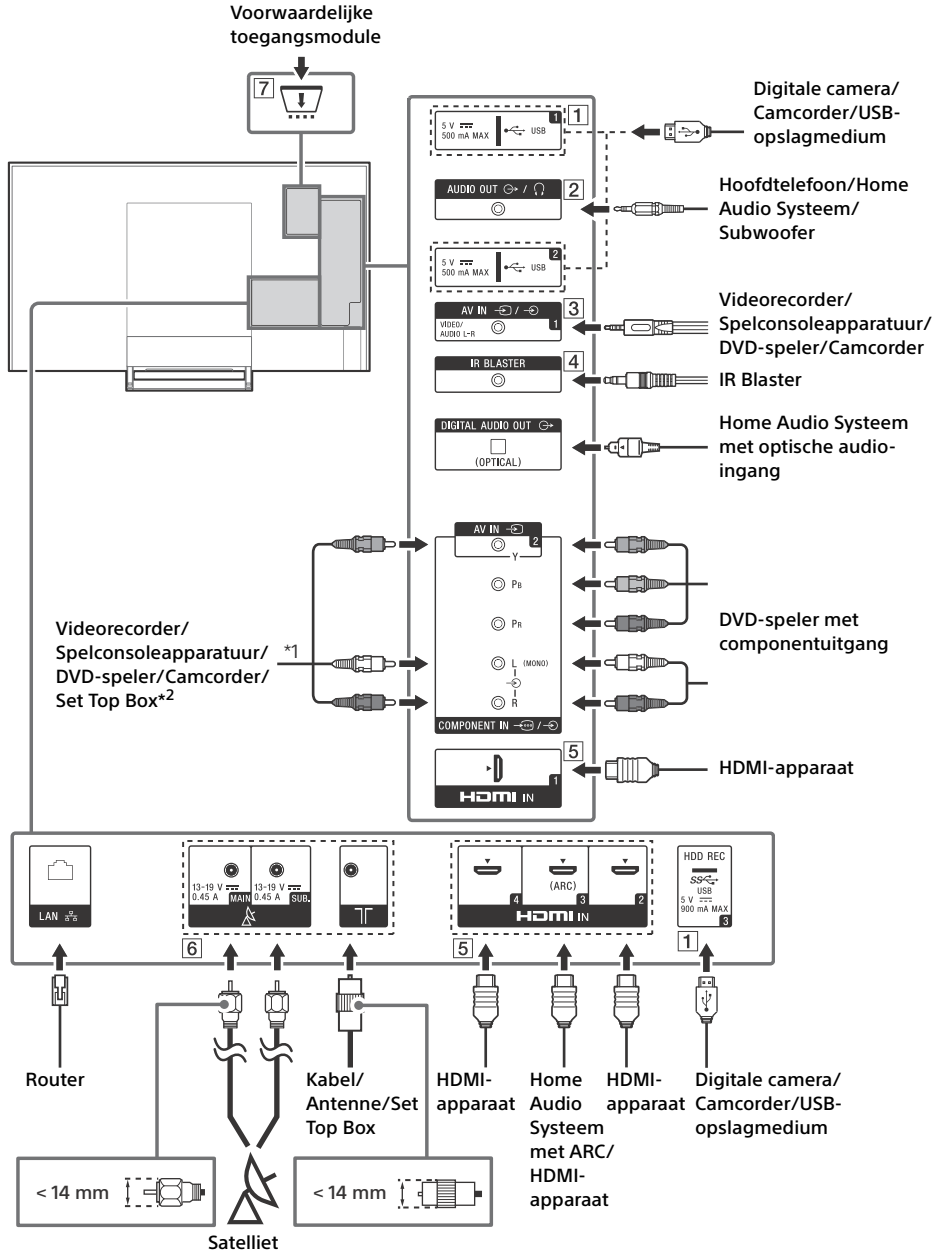
Hiermee kunt u het huidige programma opnemen met de USB HDD-opnamefunctie.

TITLE LIST

Hiermee kunt u de titellijst weergeven.

Aansluitschema

Zie de Helpgids voor meer informatie over aansluitingen, door **HELP** in te drukken op de afstandsbediening.



NL

1 **USB 1/2, USB 3 (HDD REC)*³**

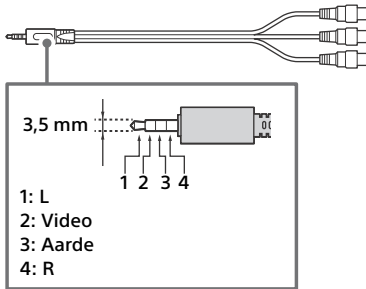
- Als u hierop een groot USB-apparaat aansluit, kan dit andere aangesloten apparaten hinderen.
- Sluit grote USB-apparaten aan op de USB 1-aansluiting.

2 **AUDIO OUT**

- Ondersteunt alleen een 3-polige stereo mini-aansluiting.
- Om het geluid van de televisie te beluisteren via de aangesloten apparatuur, drukt u op **HOME**. Selecteer [Instellingen] → [Geluid] → [Hoofdtelefoon/Audio Uit] en selecteer vervolgens het gewenste item.

3 **AV IN 1**

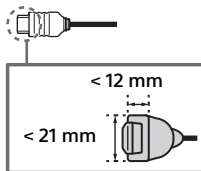
- Gebruik voor een Composite-aansluiting een analoge verlengkabel (niet bijgeleverd).



4 **IR BLASTER*³**

5 **HDMI IN 1/2/3/4**

- Wanneer u een digitaal audiosysteem dat compatibel is met ARC-technologie (Audio Return Channel) aansluit, gebruikt u hiervoor HDMI IN 3. Doet u dit niet, dan moet u een bijkomende verbinding maken met DIGITAL AUDIO OUT (OPTICAL).



6 **(satellietingang), (RF-ingang)**

- Aansluitingen voor terrestrische, kabel- en satelliettelevisie. Stappen voor aansluiting: SUB. → Antenne → MAIN
- Voor SUB.-aansluiting, alleen aansluiten als u een dubbele tunerstand gebruikt m.u.v. de Single Cable Distribution EN50494.

7 **CAM (Conditional Access Module)**

- Biedt u toegang tot betaaltelevisieservices. Raadpleeg de gebruikershandleiding die bij uw CAM werd geleverd voor meer informatie.
- Plaats de smartcard niet rechtstreeks in de CAM-sleuf van de televisie. U moet deze plaatsen in de Conditional Access Module die u hebt gekregen van uw erkende verdeler.
- CAM wordt niet in alle landen/regio's ondersteund. Doe navraag bij uw erkende verdeler.
- Er kan een CAM-melding verschijnen als u overschakelt naar een digitaal programma nadat u internetvideo gebruikt hebt.

*1 Maak voor het aansluiten van monoapparatuur verbinding met de L (MONO)-audioaansluiting.

*2 Gebruik voor een extern apparaat dat alleen SCART AV OUT heeft, een SCART-RCA-adapter.

*3 Beperkt tot bepaalde regio's/landen/tv-modellen.

De televisie op de wand installeren

De optionele wandmontagesteun gebruiken

De handleiding van deze televisie toont alleen de stappen om de installatie van de televisie voor te bereiden vooraleer hij op de wand wordt geïnstalleerd.

Voor klanten:

Om redenen van productbescherming en veiligheid adviseert Sony ten stelligste dat de installatie van uw televisie wordt uitgevoerd door een Sony-verkoper of door een erkende aannemer. Probeer de televisie niet zelf te installeren.

Voor Sony-verkopers en aannemers:

Schenk voldoende aandacht aan de veiligheid tijdens de installatie, het periodiek onderhoud en het onderzoek van dit product.

Dit product mag uitsluitend worden geïnstalleerd door een erkende installateur die kan bepalen of de wand sterk genoeg is voor het gewicht van de tv. Als de steun niet goed aan de wand bevestigd wordt, dan kan de tv vallen en ernstig letsel veroorzaken. Sony is niet aansprakelijk voor schade en/of letsel als gevolg van verkeerde behandeling of onjuiste installatie, of voor installaties anders dan het vermelde product. Uw eventuele statutaire rechten blijven van kracht.

Gebruik de wandmontagesteun SU-WL845 (niet bijgeleverd) (alleen voor KD-75XE94xx en KD-65XE93xx), SU-WL840 (niet bijgeleverd) (alleen KD-55XE93xx) of SU-WL450 (niet bijgeleverd) (alleen KD-65/55XE93xx) om de televisie tegen de wand te bevestigen.

Bij het installeren van de wandmontagesteun raadpleegt u ook de gebruiksaanwijzing en de installatiegids die bij de wandmontagesteun zijn geleverd.

Opmerkingen

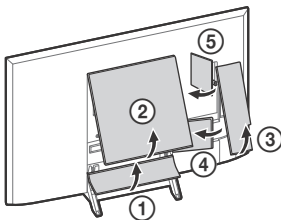
- Bewaar de uitgedraaide schroeven op een veilige plaats en zorg ervoor dat kinderen er niet bij kunnen komen.
- Zorg dat de wand voldoende ruimte voor de tv heeft en het gewicht van de tv minstens zesmaal kan dragen.



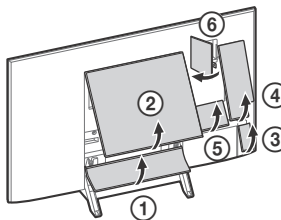
Raadpleeg de volgende website voor instructies over de installatie van de wandmontagesteun voor uw TV-model: www.sony.eu/tv/wall-mount-bracket-manual

Verwijder de beschermkap van de standaard en de aansluitingen.

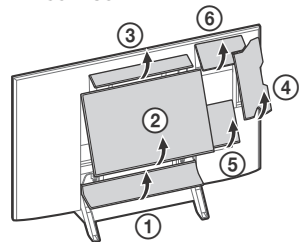
KD-75XE94xx



KD-65XE93xx



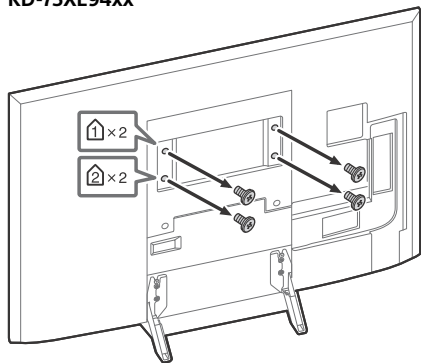
KD-55XE93xx



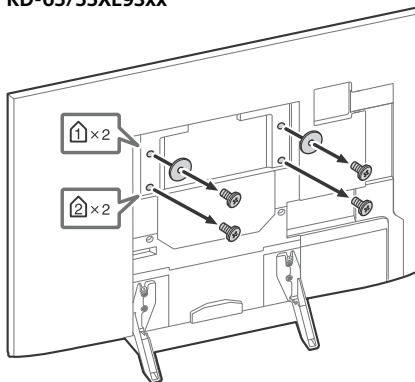
SU-WL845 (KD-75XE94xx, KD-65XE93xx), SU-WL840 (KD-55XE93xx)

Verwijder de schroeven aan de achterzijde van de televisie.

KD-75XE94xx

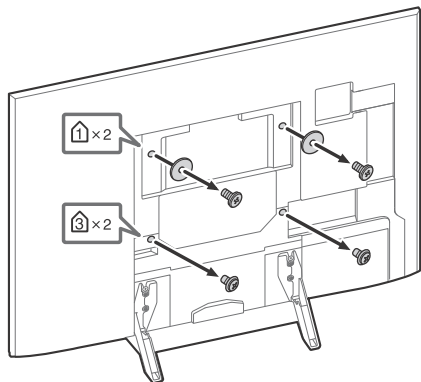


KD-65/55XE93xx

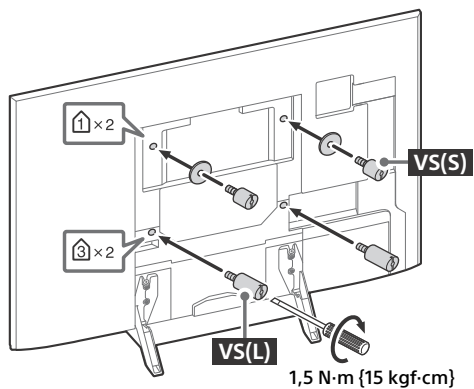


SU-WL450 (Alleen voor KD-65/55XE93xx)

1 Verwijder de schroeven aan de achterzijde van de televisie.



- 2 Bevestig de bevestigingsplaat voor de wandmontage (bijgeleverd met de televisie) aan de achterzijde van de televisie (om het evenwijdig aan de wand te maken).



NL

Opmerkingen

- Bij gebruik van een elektrische schroevendraaier moet het moment op ongeveer 1,5 N·m {15 kgf·cm} worden ingesteld.
- Zorg ervoor dat de bevestigingsplaat voor de wandmontage goed vast zit als u deze tegen de televisie bevestigt. Gebruik alleen een platte schroevendraaier voor installatie van de bevestigingsplaat voor de wandmontage. Bij gebruik van ander gereedschap kan de bevestigingsplaat voor de wandmontage te vast worden aangedraaid en dit kan de televisie beschadigen.

Alleen voor KD-75XE94xx, KD-55XE93xx

Uw televisie kan worden bevestigd op een wandmontagesteun (niet bijgeleverd).
Maak de televisie klaar voor de wandmontagesteun voor u de kabelverbindingen tot stand brengt.

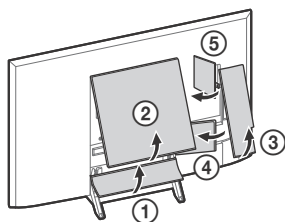
Dit product mag uitsluitend worden geïnstalleerd door een erkende installateur die kan bepalen of de wand sterk genoeg is voor het gewicht van de tv. Als de steun niet goed aan de wand bevestigd wordt, dan kan de tv vallen en ernstig letsel veroorzaken. Sony is niet aansprakelijk voor schade en/of letsel als gevolg van verkeerde behandeling of onjuiste installatie, of voor installaties anders dan het vermelde product. Uw eventuele statutaire rechten blijven van kracht.

Om het toestel te beschermen en om veiligheidsredenen raadt Sony u met klem aan de televisie aan een muur te laten bevestigen door een erkende installateur. Probeer dit niet zelf te doen.

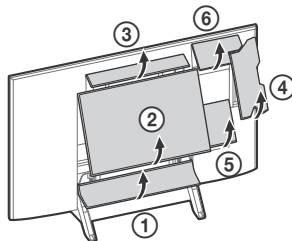
- Volg de instructies die bij de wandmontagesteun voor uw model geleverd zijn.
- Bewaar de ongebruikte schroeven en de tafelstandaard op een veilige plaats voor het geval u de tafelstandaard opnieuw wilt bevestigen. Houd de schroeven op een veilige afstand van kleine kinderen.
- Zorg dat de wand voldoende ruimte voor de tv heeft en het gewicht van de tv minstens zesmaal kan dragen.

1 Verwijder de beschermkap van de standaard en de aansluitingen.

KD-75XE94xx

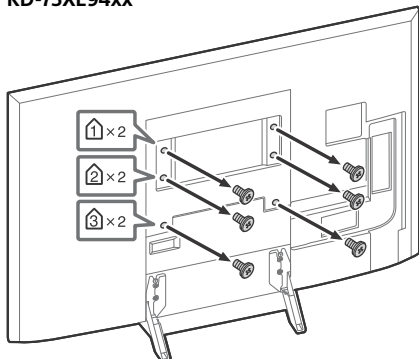


KD-55XE93xx

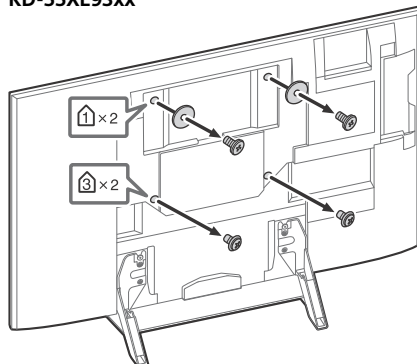


2 Verwijder de schroeven aan de achterzijde van de televisie.

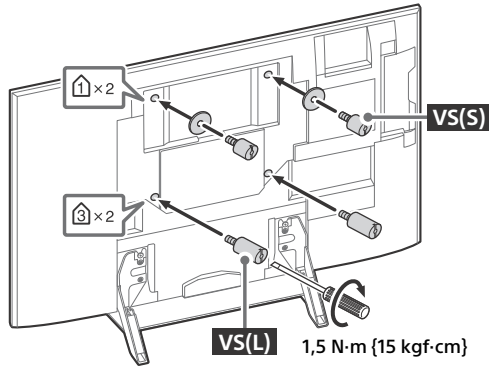
KD-75XE94xx



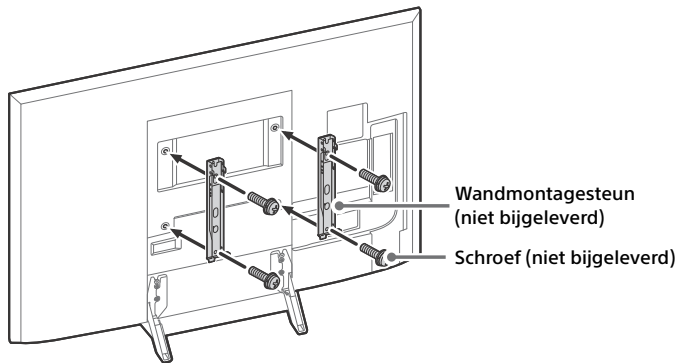
KD-55XE93xx



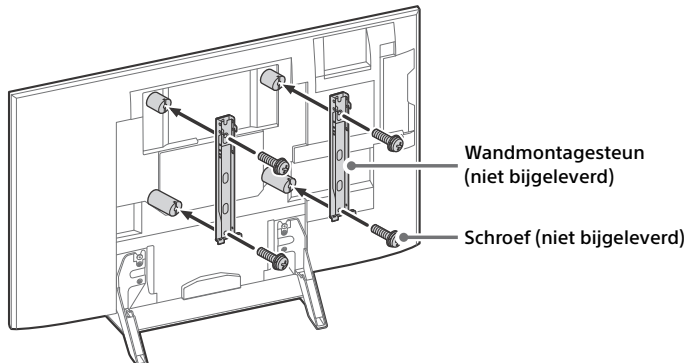
- 3** Bevestig de bevestigingsplaat voor de wandmontage (bijgeleverd met de televisie) aan de achterzijde van de televisie (om het evenwijdig aan de wand te maken). (Alleen voor KD-55XE93xx)



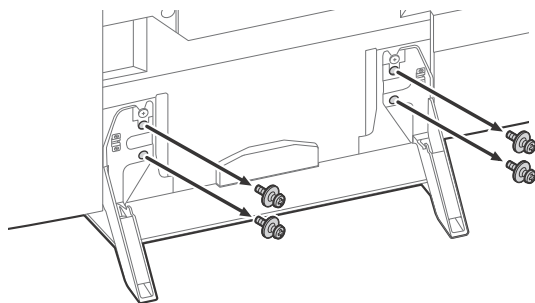
- 4** Bevestig de wandmontagesteun (niet bijgeleverd) met de schroeven (niet bijgeleverd).
KD-75XE94xx



KD-55XE93xx



5 Maak de tafelstandaard los van de televisie.



Opmerkingen

- Bij gebruik van een elektrische schroevendraaier moet het moment op ongeveer 1,5 N·m {15 kgf·cm} worden ingesteld.
- Zorg ervoor dat de bevestigingsplaat voor de wandmontage goed vast zit als u deze tegen de televisie bevestigt. Gebruik alleen een platte schroevendraaier voor installatie van de bevestigingsplaat voor de wandmontage. Bij gebruik van ander gereedschap kan de bevestigingsplaat voor de wandmontage te vast worden aangedraaid en dit kan de televisie beschadigen.
- U kunt sommige kabelhouders aan de achterzijde van de televisie niet gebruiken als u een wandmontagesteun installeert (niet bijgeleverd).

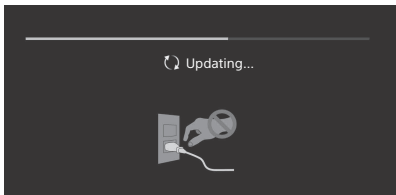
Problemen oplossen

Voer de volgende stappen uit bij het oplossen van algemene problemen zoals: zwart scherm, geen geluid, bevroren beeld, televisie reageert niet of geen verbinding met netwerk.

- 1 Herstart de televisie door de aan/uit-knop op de afstandsbediening in te drukken tot een bericht verschijnt. De televisie zal herstarten. Als de televisie niet herstelt, koppel dan het netsnoer van de televisie gedurende twee minuten los en sluit het dan opnieuw aan.
- 2 Zie het Helpmenu door **HELP** in te drukken op de afstandsbediening.
- 3 Sluit de televisie aan op het internet en voer een software-update uit.
- 4 Bezoek de Sony Support-website (zie informatie op achterzijde).

Als het bericht [Nieuwe software-update voor de TV beschikbaar...] wordt weergegeven.

Sony raadt sterk aan de televisiesoftware te updaten door [Nu updaten] te kiezen. Deze software-updates verbeteren de prestaties van de televisie of voegen nieuwe functies toe. Het volgende scherm [Updating...](Bijwerken...) zal verschijnen en de verlichtingsled knippert wit terwijl de software wordt bijgewerkt.



Koppel het netsnoer niet los tijdens het updaten van de software. Als u dit wel doet, is het mogelijk dat de software-update niet volledig wordt uitgevoerd, wat softwarestoreningen kan veroorzaken. Software-updates kunnen tot 15 minuten duren.

Wanneer u de stekker van de televisie in het stopcontact steekt, kan de televisie mogelijk gedurende enige tijd niet worden ingeschakeld, zelfs als u op de aan/uit-knop op de afstandsbediening of op de televisie drukt.

Het duurt enige tijd om het systeem te initialiseren. Wacht ongeveer een minuut en probeer het daarna opnieuw.

Problemen en oplossingen

Als de verlichtingsled rood knippert.

- Tel hoeveel keer het lampje knippert (intervaltijd is drie seconden).
Reset de televisie door het netsnoer gedurende twee minuten los te koppelen en de televisie vervolgens in te schakelen.
Als het probleem zich nog steeds voordoet, neem dan contact op met de dealer of het Sony-servicecentrum en vermeld hoe vaak de verlichtingsled knippert.

Werking via ether/kabel is niet beschikbaar.

- Controleer de aansluiting van antenne/kabel en de instellingen van de versterker.
- Selecteer werking via ether/kabel door te drukken op **DIGITAL/ANALOG** op de afstandsbediening. Druk op **TV** en druk dan op **DIGITAL/ANALOG** als de omroep niet wordt weergegeven.
- Het signaal via de ether kan worden onderdrukt als er dichtbij een sterk signaal wordt uitgezonden. Stel [LNA (CH ---)] in op [Uit], in de digitale afstemmingsinstellingen.
- Probeer een nieuwe zoekopdracht nadat u bent verhuisd of nieuwe diensten probeert te ontvangen, door [Digitale afstemming] te kiezen.

Werking via satelliet is niet beschikbaar.

- Controleer de aansluiting van de satellietkabel.
- Als het bericht [Geen signaal. LNB overbelasting detectie...] wordt weergegeven, moet het netsnoer losgekoppeld worden. Controleer dan of de satellietkabel niet beschadigd is en de lijn van het satelliet signaal niet kortgesloten is in de connector.

De afstandsbediening werkt niet.

- Vervang de batterijen.

U bent het wachtwoord voor uitzendingen met kinderslot vergeten.

- Voer 9999 in voor de pincode en kies [Wijzig PIN-code].

De ruimte rond de tv wordt warm.

- Als de tv langdurig wordt gebruikt, wordt de ruimte rond de tv warm.
U kunt daar warmte voelen bij aanraking met de hand.

Specificaties

Systeem

Beeldschermstelsysteem

- LCD-scherm (Liquid Crystal Display),
- LED-achtergrondverlichting

Televiesysteem

- Afhankelijk van uw land/regioselectie/
televiesiemodel
- Analoog: B/G, D/K, I
- Digitaal: DVB-T/DVB-C
- DVB-T2*
- Satelliet*: DVB-S/DVB-S2

Kleurensysteem

- PAL, SECAM, NTSC3.58 (alleen video), NTSC4.43 (alleen video)

Beschikbare kanalen

- Afhankelijk van uw land/regioselectie/
televiesiemodel
- Analoog: UHF/VHF/Kabel
- Digitaal: UHF/VHF/Kabel
- Satelliet*: IF-frequentie 950-2.150 MHz

Geluidsuitgang

- KD-75XE94xx, KD-65XE93xx: 10 W + 10 W + 10 W + 10 W + 10 W + 10 W
- KD-55XE93xx: 5 W + 5 W + 10 W + 10 W + 10 W + 10 W

Draadloze technologie

- Protocol IEEE802.11ac/a/b/g/n (IEEE802.11ac is mogelijk niet beschikbaar afhankelijk van uw land/regio.)
- Bluetooth versie 4.1
- Frequentieband(en): WLAN 2,4 GHz/5 GHz, Bluetooth 2,4 GHz
- Vermogen radiofrequentie van de zender: 100 mW MAX

Softwareversie van televisie:

- PKG_..._..._...EUA
- Druk op **HELP** op de afstandsbediening om de softwareversie te zien.

* Niet alle tv-sets zijn uitgerust met DVB-T2- of DVB-S/S2-technologie of hebben een satellietantennaansluiting.

Ingangen/uitgangen

Antenne/kabel

- 75 ohm externe aansluiting voor VHF/UHF

Satellietantenne

- Vrouwelijke F-aansluiting, 75 ohm.
- DiSeqC 1.0, LNB 13 V/18 V & 22 kHz-toon,
- Distributie van één kabel EN50494.

AV IN 1

- A/V-ingang (miniaansluiting)

COMPONENT IN

- YPbPr (Componentvideo): 1080p (50, 60 Hz), 1080i (50, 60 Hz), 720p (50, 60 Hz), 576p, 576i, 480p, 480i

- Audio-ingang (RCA-aansluitingen)

AV IN 2

- Video-ingang (gewone RCA-pin met Y-ingang)

HDMI IN 1, 2, 3, 4 (ondersteunt 4K-resolutie, Voldoet aan HDCP 2.2)

Video:

- 4096 × 2160p (50, 60 Hz)^{*1+2}, 4096 × 2160p (24 Hz)^{*1}, 3840 × 2160p (50, 60 Hz)^{*2}, 3840 × 2160p (24, 25, 30 Hz), 1080p (30, 50, 60 Hz), 1080/24p, 1080i (50, 60 Hz), 720p (30, 50, 60 Hz), 720/24p, 576p, 576i, 480p, 480i, Pc-formaten

- ^{*1} 3840 × 2160p wordt weergegeven wanneer 4096 × 2160p ingevoerd wordt.

- ^{*2} Alleen HDMI IN 2 / 3.

- Audio: 5,1-kanaals lineaire PCM: 32, 44,1, 48, 88,2, 96, 176,4 en 192 kHz, 16, 20 en 24 bits, Dolby Digital, Dolby Digital Plus en DTS

ARC (Audio Return Channel) (alleen HDMI IN 3) (Tweekanaals lineaire PCM: 48 kHz, 16 bits, Dolby Digital, Dolby Digital Plus, DTS)


DIGITAL AUDIO OUT (OPTICAL)

- Digitale optische aansluiting (tweekanaals lineaire PCM: 48 kHz, 16 bits, Dolby Digital, DTS)

AUDIO OUT (stereominiaansluiting)

- Hoofdtelefoon, audio-uitgang, subwoofer

1, 2, 3 (HDD REC)^{*1}

- Poort voor USB-apparaat ( 3 USB HDD-apparaat voor REC-functie)

- USB-poort 1 en 2 bieden ondersteuning voor High Speed USB (USB2.0).

- USB-poort 3 biedt ondersteuning voor Super Speed USB (USB3.0).

- CAM-sleuf (Conditional Access Module)

LAN

- 10BASE-T/100BASE-TX-stekker (Afhankelijk van de besturingsomgeving van het netwerk kan de verbindingssnelheid variëren. De communicatiesnelheid en -kwaliteit van 10BASE-T/100BASE-TX worden niet gegarandeerd voor deze tv.)

DC IN 24 V (alleen modellen met

- bijgeleverde voedingsadapter)

- Ingang voedingsadapter

IR BLASTER^{*1}

- Kabelingang voor de IR Blaster (mini-aansluiting)

Andere

Optionele accessoires

- Wandmontagesteun: SU-WL845
(Alleen voor KD-75XE94xx, KD-65XE93xx)
- Wandmontagesteun: SU-WL840
(Alleen voor KD-55XE93xx)
- Wandmontagesteun: SU-WL450
(Alleen voor KD-65/55XE93xx)

Gebruikstemperatuur

0 °C – 40 °C

Gebruiksvochtigheidsgraad

10 % – 80 % relatieve luchtvochtigheid (zonder condensatie)

Voeding, productfiche en overige

Netspanningsvereisten

- m.u.v. van modellen met een bijgeleverde voedingsadapter
- 220 V - 240 V AC, 50 Hz
- alleen modellen met bijgeleverde voedingsadapter
- 24 V DC met voedingsadapter
- Vermogen: input 220 V - 240 V AC, 50 Hz

Energie-efficiëntieklasse

- KD-75XE94xx: B
- KD-65XE93xx: A
- KD-55XE93xx: B

Schermgrootte (diagonaal gemeten) (Ong.)

- KD-75XE94xx: 189,3 cm / 75 inch
- KD-65XE93xx: 163,9 cm / 65 inch
- KD-55XE93xx: 138,8 cm / 55 inch

Vermogensverbruik

in de stand [Standaard]

- KD-75XE94xx: 298 W
- KD-65XE93xx: 164 W
- KD-55XE93xx: 137 W

in de stand [Levendig]

- KD-75XE9405: 495 W
- KD-65XE9305: 294 W
- KD-55XE9305: 227 W

Gemiddeld jaarlijks energieverbruik*²

- KD-75XE94xx: 413 kWh
- KD-65XE93xx: 227 kWh
- KD-55XE93xx: 190 kWh

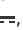
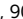
Stand-by vermogensgebruik*^{3,4}

0,50 W (27 W in de stand voor bijwerken van de software/EPG)

Beeldschermresolutie

3.840 punten (horizontaal) × 2.160 lijnen (verticaal)

Uitvoervermogen

- USB 1/2: 5 V, , 500 mA MAX
- USB 3: 5 V, , 900 mA MAX

Afmetingen (Ong.) (b × h × d)

met tafelstandaard

- KD-75XE94xx: 167,3 × 103,7 × 32,5 cm
- KD-65XE93xx: 145,1 × 91,3 × 29,5 cm
- KD-55XE93xx: 123,2 × 79,0 × 28,2 cm

zonder tafelstandaard

- KD-75XE94xx: 167,3 × 96,2 × 6,2 cm
- KD-65XE93xx: 145,1 × 83,8 × 3,9 cm
- KD-55XE93xx: 123,2 × 71,5 × 4,0 cm

Gewicht (Ong.)

met tafelstandaard

- KD-75XE94xx: 47,6 kg
- KD-65XE93xx: 42,4 kg
- KD-55XE93xx: 32,6 kg

zonder tafelstandaard

- KD-75XE94xx: 42,8 kg
- KD-65XE93xx: 38,2 kg
- KD-55XE93xx: 28,6 kg

- *1 Beperkt tot bepaalde regio's/landen/tv-modellen.
- *2 Energieverbruik per jaar, gebaseerd op het vermogensverbruik van de televisie die 365 dagen werkt gedurende 4 uur per dag. Het eigenlijke energieverbruik zal afhangen van de manier waarop de televisie wordt gebruikt.
- *3 Het gespecificeerde stand-by vermogen wordt bereikt als de televisie de benodigde interne processen heeft voltooid.
- *4 Het stroomverbruik tijdens stand-by neemt toe als uw televisie aangesloten is op het netwerk.

Opmerkingen

- Verwijder de afdekking van de CAM-sleuf (Conditional Access Module) van de televisie alleen als u een smartcard in de CAM wilt plaatsen.
- De beschikbaarheid van optionele accessoires is afhankelijk van uw land/regio/tv-model/voorraad.
- Ontwerp en specificaties kunnen zonder voorafgaande kennisgeving worden gewijzigd.

Opmerkingen betreffende de digitale televisiefunctie

- Digitale televisie (DVB, ether, satelliet en kabel), interactieve diensten en netwerkfuncties zijn wellicht niet in alle landen of gebieden beschikbaar. Sommige functies kunnen niet zijn ingeschakeld of werken wellicht niet goed bij bepaalde aanbieders en netwerkomgevingen. Bepaalde aanbieders van televisiediensten kunnen voor hun service kosten in rekening brengen.

- Deze televisie ondersteunt digitale uitzendingen met gebruik van MPEG-2, H.264/MPEG-4 AVC en H.265/HEVC codecs, maar ondersteuning van alle bedienings-/onderhoudssignalen die in de loop der tijd kunnen wijzigen, kan niet worden gegarandeerd.

Deze tv biedt ondersteuning voor DiSEqC 1.0. Deze tv is niet geschikt voor het aansturen van gemotoriseerde antennes.

- TUXERA is een gedeponeerd handelsmerk van Tuxera Inc. in de VS en andere landen.
- Het USB-IF SuperSpeed USB-drietandlogo is een gedeponeerd handelsmerk van USB Implementers Forum, Inc. 

Informatie over handelsmerken

- De termen HDMI en HDMI High-Definition Multimedia Interface en het HDMI-logo zijn handelsmerken of gedeponeerde handelsmerken van HDMI Licensing LLC in de Verenigde Staten en andere landen.
- Geproduceerd onder licentie van Dolby Laboratories. Dolby, Dolby Audio en het dubbele-D-symbool zijn handelsmerken van Dolby Laboratories.
- "BRAVIA" en BRAVIA zijn handelsmerken van Sony Corporation.
- Gracenote, Gracenote eyeQ, Gracenote VideoID, Gracenote Video Explore, het Gracenote-logo en -logotype, en het logo "Powered by Gracenote" zijn gedeponeerde handelsmerken of handelsmerken van Gracenote in de Verenigde Staten en/of andere landen.
- Opera® Devices SDK. Copyright 1995-2016 Opera TV AS. All rights reserved.
- De Wi-Fi, Wi-Fi Direct, Miracast, Wi-Fi Protected Setup en Wi-Fi CERTIFIED logo's zijn handelsmerken of gedeponeerde handelsmerken van Wi-Fi Alliance.
- Raadpleeg <http://patents.dts.com> voor meer informatie over DTS-patenten. Gefabriceerd onder licentie van DTS, Inc. DTS, het overeenkomstige symbool en DTS gecombineerd met het overeenkomstige symbool zijn gedeponeerde handelsmerken, en DTS Digital Surround is een handelsmerk van DTS, Inc. © DTS, Inc. Alle rechten voorbehouden.
- Het Bluetooth® woordmerk en logo's zijn gedeponeerde handelsmerken van Bluetooth SIG, Inc. en het gebruik van deze merken door Sony Corporation gebeurt onder licentie. Andere handelsmerken en handelsnamen zijn het eigendom van hun respectieve eigenaars.
- DiSEqC™ is een handelsmerk van EUTELSAT.

Inhaltsverzeichnis

WICHTIGER HINWEIS	2
Sicherheitsinformationen	3
Sicherheitsmassnahmen	6
Komponenten und Bedienelemente	8
Bedienelemente und Anzeigen	8
Verwenden der Fernbedienung	9
Fernbedienung – Beschreibung der Teile	9
Anschlussschema	11
Montieren des Fernsehgeräts an der Wand	13
Verwenden der optionalen Wandhalterung	13
SU-WL845 (KD-75XE94xx, KD-65XE93xx), SU-WL840 (KD-55XE93xx)	14
SU-WL450 (Nur KD-65/55XE93xx)	14
Nur KD-75XE94xx, KD-55XE93xx	16
Störungsbehebung	19
Probleme und Lösungen	19
Technische Daten	20

Internetverbindung und Datenschutz

Dieses Produkt verbindet sich bei Ersteinrichtung mit dem Internet, sobald eine Netzwerkverbindung besteht, um die Internetverbindung zu prüfen und später den Startbildschirm zu konfigurieren. Ihre IP-Adresse wird bei dieser und allen anderen Internetverbindungen verwendet. Wenn Sie überhaupt nicht möchten, dass Ihre IP-Adresse verwendet wird, richten Sie die WLAN-Internetfunktion nicht ein und schließen kein Internet-Kabel an. Weitere Informationen zu Internetverbindungen entnehmen Sie bitte den in den Einrichtungsbildschirmen angezeigten Informationen zum Datenschutz.

Einleitung

Vielen Dank, dass Sie sich für ein Produkt von Sony entschieden haben.

Bitte lesen Sie dieses Handbuch aufmerksam durch, bevor Sie das Fernsehgerät verwenden, und bewahren Sie es auf, um später bei Bedarf darin nachschlagen zu können.

Anmerkung

- Lesen Sie sich vor der Bedienung des Fernsehgeräts die „Sicherheitsinformationen“ durch (Seite 3).
- Darstellungen und Abbildungen, die im Einrichtungshandbuch und in dieser Anleitung verwendet werden, dienen nur der Referenz und können vom tatsächlichen Produkt abweichen.
- Das „xx“, das im Modellnamen angegeben wird, entspricht einer Ziffer, die sich auf das Design, die Farbe oder das System des Fernsehgeräts bezieht.

Wo befindet sich das Einrichtungshandbuch?

Das Einrichtungshandbuch befindet sich in der Fernsehgeräteverpackung auf dem Kissen.

Hilfe/Hilfe

Die Hilfsfunktion bietet Ihnen zahlreiche Informationen zu Ihrem Fernseher. Drücken Sie zur Verwendung der Hilfsfunktion **HELP** auf der Fernbedienung. Informationen und Hinweise zur Fehlerbehebung finden Sie in der Liste oder über die Stichwortsuche. Wählen Sie [Hilfe] im Hilfemenü aus, um die Anleitung aufzurufen. Wenn Sie Ihren Fernseher mit dem Internet verbinden, werden die Hilfsfunktion und die Informationen aktualisiert.

Position des Bezeichnungsschildes

Aufkleber mit Modellnummer, Herstellungsdatum (Jahr/Monat) und Betriebsspannung befinden sich auf der Rückseite des Fernsehgeräts oder auf der Verpackung. Sie finden Sie, indem Sie die Sockelabdeckung und die Center-Abdeckung entfernen.

Für Modelle mit mitgeliefertem Netzteil:

Aufkleber für die Netzteil-Modellnummer und die Seriennummer befinden sich an der Unterseite des Netzteils.

WARNUNG

UM FEUERGEFAHR ZU VERMEIDEN, HALTEN SIE KERZEN UND JEGLICHE OFFENEN FLAMMEN JEDERZEIT VON DIESEM GERÄT FERN.



WICHTIGER HINWEIS

Dieses Produkt wurde von oder für Sony Corporation, 1-7-1 Konan Minato-ku Tokio, 108-0075 Japan hergestellt.

Bei Fragen zur Produktkonformität auf Grundlage der Gesetzgebung der Europäischen Union kontaktieren Sie bitte den Bevollmächtigten Sony Belgium, bijkantoor van Sony Europe Limited, Da Vincilaan 7-D1, 1935 Zaventem, Belgien. Für Kundendienst oder Garantieangelegenheiten wenden Sie sich bitte an die in den Kundendienst- oder Garantiedokumenten genannten Adressen.

Hinweis für Funkgeräte

Hiermit erklärt die Sony Corporation, dass sich die Rundfunkgeräte vom Typ KD-75XE9405, KD-65XE9305, KD-55XE9305 in Übereinstimmung mit den grundlegenden Anforderungen und anderen relevanten Bestimmungen der Richtlinie 1999/5/EG befinden. Weitere Informationen erhältlich unter:

<http://www.compliance.sony.de/>

Dieses Rundfunkgerät ist in der EU ohne Verstoß gegen die geltenden Bestimmungen zur Nutzung von Funkfrequenzen einsetzbar.

Hinweis für Kunden: Die folgenden Informationen gelten nur für Geräte, die in Ländern verkauft werden, in denen EU-Richtlinien gelten.

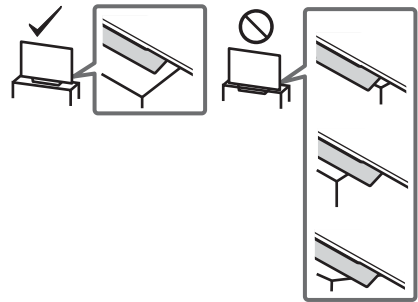
Das drahtlose Fernsehsystem darf in folgenden Ländern verwendet werden:

AT, BE, HR, CY, CZ, DK, EE, FI, FR, DE, EL, HU, IE, IT, LV, LT, LU, MT, NL, PL, PT, SK, SI, ES, SE, UK, IS, LI, NO, CH, BG, RO, TR, AL, BA, MK, MD, RS, ME, Kosovo

Dieses Gerät kann auch in Ländern außerhalb Europas eingesetzt werden.



- Stellen Sie das Fernsehgerät so auf, dass der Tischständer des Fernsehgeräts nicht über den Fernsehständer (nicht mitgeliefert) hinausragt. Wenn der Tischständer über den Fernsehständer hinausragt, kann das Fernsehgerät umkippen und herunterfallen, was zu Verletzungen bzw. Schäden am Fernsehgerät führen kann.



DE

Sicherheitsinformationen

WARNUNG

Batterien dürfen nicht übermäßiger Hitze, wie Sonnenlicht, einem Feuer oder Ähnlichem, ausgesetzt werden.

Stellen Sie einen Fernseher niemals auf einem instabilen Untergrund auf. Ein Fernseher kann herunterfallen und dadurch schwere oder sogar tödliche Körperverletzungen verursachen.

Viele Verletzungen, insbesondere von Kindern, können vermieden werden, indem einfache Sicherheitsmaßnahmen eingehalten werden, wie z. B.:

- Verwendung von Regalen oder Sockeln, die vom Hersteller des Fernsehers empfohlen werden.
 - Ausschließliche Verwendung von Möbeln, die den Fernseher sicher tragen können.
 - Sicherstellung, dass der Fernseher nicht über den Rand des unterstützenden Möbelstücks übersteht.
 - Keine Aufstellung des Fernsehers auf hohen Möbelstücken (z. B. Schränken oder Bücherregalen) ohne Verankerung des Möbelstücks und des Fernsehers auf einem geeigneten Träger.
 - Keine Aufstellung des Fernsehers auf Tüchern oder anderen Materialien, die sich evtl. zwischen dem Fernseher und dem unterstützenden Möbelstück befinden.
 - Aufklärung von Kindern über die Gefahren beim Klettern auf Möbelstücke, um den Fernseher oder seine Regler zu erreichen.
- Wenn Sie Ihren vorhandenen Fernseher behalten und an einem anderen Ort aufstellen, sollten die gleichen Hinweise wie oben genannt beachtet werden.

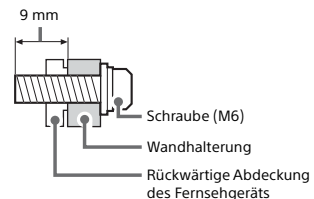
Installation/Einstellung

Installieren und benutzen Sie das Fernsehgerät unter Berücksichtigung der im Folgenden angegebenen Anweisungen, um alle Risiken wie Feuer, Stromschlag oder Beschädigungen und/oder Verletzungen zu vermeiden.

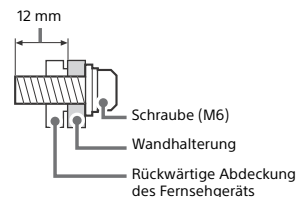
Installation

- Das Fernsehgerät sollte neben einer frei zugänglichen Netzsteckdose installiert werden.
- Stellen Sie das Fernsehgerät auf eine stabile, ebene Oberfläche, um zu verhindern, dass es herunterfällt und Personenschäden oder Sachschäden verursacht.
- Stellen Sie das Fernsehgerät an einem Ort auf, an dem es nicht gezogen, verschoben oder umgestoßen werden kann.

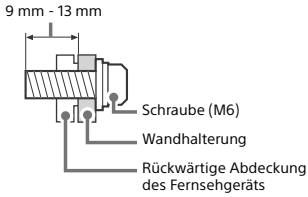
- Wandeinbauten sollten nur von qualifiziertem Fachpersonal ausgeführt werden.
- Aus Sicherheitsgründen wird dringend empfohlen, ausschließlich Sony Zubehörteile zu verwenden, inklusive:
 - Wandhalterung SU-WL845 (nur KD-75XE94xx, KD-65XE93xx)
 - Wandhalterung SU-WL840 (nur KD-55XE93xx)
 - Wandhalterung SU-WL450 (nur KD-65/55XE93xx)
- Verwenden Sie unbedingt die Schrauben im Lieferumfang der Wandhalterung, wenn Sie die Wandhalterung am Fernsehgerät befestigen. Die mitgelieferten Schrauben sind, gemessen von der Befestigungsfläche der Wandhalterung, wie in der Abbildung dargestellt konzipiert. Durchmesser und Länge der Schrauben variieren je nach Modell der Wandmontagehalterung. Durch die Verwendung anderer als der mitgelieferten Schrauben kann das Fernsehgerät beschädigt werden oder herunterfallen.
 - Optionale Wandhalterung (Nur SU-WL845, SU-WL840) Oberseite



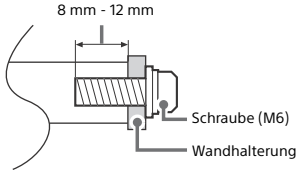
Unterseite



– Optionale Wandhalterung (Außer SU-WL845, SU-WL840)
KD-75XE94xx

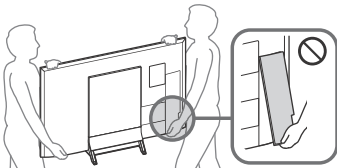
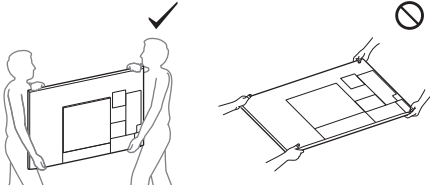


KD-65/55XE93xx

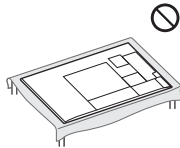


Transport

- Vor dem Transport des Fernsehgeräts ziehen Sie bitte alle Kabel aus dem Gerät.
- Zum Transport eines großen Fernsehgeräts sind zwei oder drei Personen nötig.
- Wenn Sie das Fernsehgerät ohne Hilfsmittel transportieren, halten Sie es wie unten dargestellt. Üben Sie weder auf den LCD-Bildschirm noch auf den Bildschirmrahmen Druck aus.

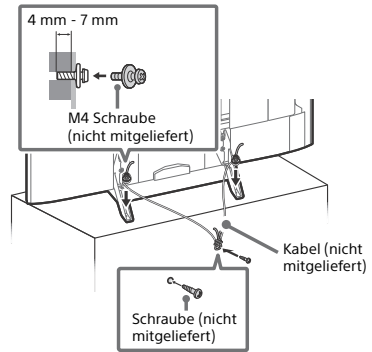
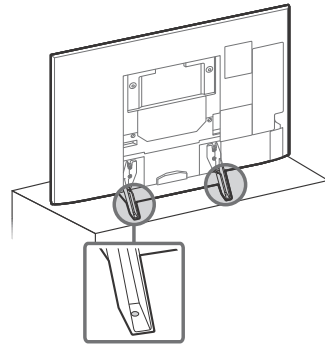


- Legen Sie das Fernsehgerät während Handhabung und Montage nicht hin.



- Setzen Sie das Fernsehgerät beim Transport weder Stößen noch starken Erschütterungen aus.
- Wenn Sie das Fernsehgerät für Reparaturen oder bei einem Umzug transportieren müssen, verpacken Sie es mithilfe der Originalverpackungsmaterialien im Originalkarton.

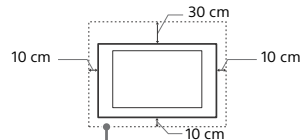
Verhinderung des Umkippens



Luftzirkulation

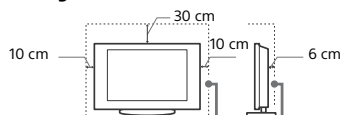
- Decken Sie nie die Lüftungsöffnungen ab und stecken Sie nichts in das Gehäuse.
- Lassen Sie ausreichend Platz um das Fernsehgerät (siehe Abbildung).
- Es wird dringend empfohlen, die offizielle Sony Wandmontagehalterung zu verwenden, um eine ausreichende Luftzirkulation zu gewährleisten.

Installation an der Wand



Lassen Sie mindestens so viel Platz um das Gerät.

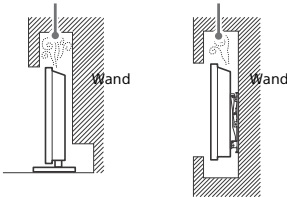
Aufstellung auf dem Standfuß



Lassen Sie mindestens so viel Platz um das Gerät.

- Um eine ausreichende Belüftung zu gewährleisten und Staub- oder Schmutzablagerungen zu vermeiden:
 - Stellen Sie das Fernsehgerät weder flach noch auf dem Kopf stehend, falsch herum oder seitwärts geneigt auf.
 - Stellen Sie das Fernsehgerät weder auf einem Regal, einem Teppich, einem Bett oder in einem Schrank auf.
 - Decken Sie das Fernsehgerät nicht mit Decken oder Vorhängen ab und legen Sie keine Gegenstände wie Zeitungen usw. darauf.
 - Installieren Sie das Fernsehgerät nicht wie auf der Abbildung gezeigt.

Die Luftzirkulation wird unterbunden.



Netz kabel

Um alle Risiken wie Feuer, Elektroschock oder Beschädigungen und/oder Verletzungen auszuschließen, sollten Sie das Netzkabel und den Stecker wie hier angegeben handhaben:

- Verwenden Sie ausschließlich die von Sony und keinen anderen Anbietern gelieferte Netzkabel.
- Stecken Sie den Stecker ganz in die Netzsteckdose.
- Dieses Fernsehgerät ist ausschließlich für den Betrieb an 220 V - 240 V Wechselstrom ausgelegt.
- Trennen Sie das Gerät zu Ihrer eigenen Sicherheit unbedingt vom Netzstrom, wenn Sie Kabel an dem Gerät anschließen, und stolpern Sie nicht über die Kabel.
- Trennen Sie das Netzkabel von der Netzsteckdose, bevor Sie das Fernsehgerät reparieren oder transportieren.
- Halten Sie das Netzkabel von Wärmequellen fern.
- Ziehen Sie den Netzstecker aus der Steckdose und reinigen Sie ihn regelmäßig. Wenn der Stecker verstaubt ist und sich Feuchtigkeit abgelagert, kann die Isolierung leiden und es besteht Feuergefahr.

Anmerkung

- Verwenden Sie das mitgelieferte Netzkabel nicht mit anderen Geräten.
- Klemmen, biegen oder verdrehen Sie das Netzkabel nicht übermäßig. Die blanken Adern im Inneren des Kabels könnten freiliegen oder brechen.
- Nehmen Sie am Netzkabel keine Veränderungen vor.
- Stellen Sie keine schweren Gegenstände auf das Netzkabel.
- Ziehen Sie nicht am Kabel, selbst wenn Sie das Netzkabel aus der Steckdose herausziehen.
- Achten Sie darauf, nicht zu viele andere Geräte an dieselbe Netzsteckdose anzuschließen.
- Verwenden Sie eine Netzsteckdose, in der der Stecker fest sitzt.

HINWEIS ZUM NETZTEIL (nur Modelle mit mitgeliefertem Netzteil)

Warnung

Um das Risiko eines Brandes oder Stromschlags zu reduzieren, sollten Sie das Gerät weder Regen noch Feuchtigkeit aussetzen. Stellen Sie keine mit Flüssigkeit gefüllten Objekte, wie z.B. Vasen, auf das Gerät, um die Gefahr eines Brandes oder Stromschlags zu verringern. Stellen Sie das Gerät nicht an einem Ort auf, an dem eine ausreichende Luftzufuhr nicht gegeben ist, zum Beispiel in einem engen Regalfach oder an einem ähnlichen Ort.

- Stellen Sie sicher, dass sich die Netzsteckdose in der Nähe des Geräts befindet und leicht zugänglich ist.
- Verwenden Sie unbedingt das mitgelieferte Netzteil und Netzkabel.
- Verwenden Sie keine anderen Netzteile. Andernfalls kann es zu einer Fehlfunktion kommen.
- Schließen Sie das Netzkabel an eine leicht zugängliche Netzsteckdose an.

- Wickeln Sie das Netzkabel nicht um das Netzteil. Andernfalls kann die Litze im Inneren durchtrennt werden und/oder es kann zu einer Fehlfunktion des Medienreceivers kommen.



- Berühren Sie das Netzteil nicht mit feuchten Händen.
- Sollten am Netzteil irgendwelche Störungen auftreten, lösen Sie das Netzteil sofort von der Netzsteckdose.
- Solange eine Verbindung zur Netzsteckdose besteht, ist das Gerät nicht vom Netzstrom getrennt, auch wenn das Gerät selbst ausgeschaltet wurde.
- Da sich das Netzteil erwärmt, wenn es längere Zeit verwendet wird, kann es sich sehr heiß anfühlen, wenn Sie es mit der Hand berühren.

Verbotene Nutzung

Installieren Sie das Fernsehgerät weder an Standorten, in Umgebungen noch in Situationen wie den hier aufgeführten, da dies zu Fehlfunktionen des Fernsehgeräts und Feuer, Elektroschock, Beschädigungen und/oder Verletzungen führen kann.

Standorte:

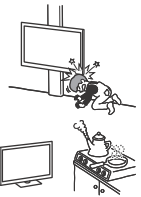
- Im Freien (in direktem Sonnenlicht), am Meer, auf einem Schiff oder Boot, im Innern eines Fahrzeugs, in medizinischen Einrichtungen, an instabilen Standorten, in der Nähe von Wasser, Regen, Feuchtigkeit oder Rauch.

Umgebungen:

- An heißen, feuchten oder übermäßig staubigen Orten, an denen Insekten in das Gerät eindringen können; an denen es mechanischen Erschütterungen ausgesetzt ist, neben brennbaren Objekten (Kerzen usw.). Das Fernsehgerät darf weder Tropfen oder Spritzern ausgesetzt werden. Es dürfen keine mit Flüssigkeit gefüllten Gegenstände, zum Beispiel Vasen, auf dem Fernsehgerät abgestellt werden.

Situationen:

- Mit nassen Händen, ohne Gehäuse oder mit anderem als vom Hersteller empfohlenen Zubehör benutzen. Trennen Sie das Fernsehgerät bei Gewitter von der Netzsteckdose und der Antenne.
- Das Fernsehgerät wird so aufgestellt, dass es frei in einen offenen Raum hineinragt. Es besteht die Gefahr, dass eine Person oder ein Gegenstand dagegenstößt und es kann zu Verletzungen oder Sachschäden kommen.
- Das Fernsehgerät wird an einem feuchten oder staubigen Ort oder in einem Raum mit fettigem Rauch oder Dampf aufgestellt (in der Nähe von Kochstellen oder Luftbefeuchtern). Es besteht Feuergefahr, die Gefahr eines elektrischen Schlags oder das Gerät kann sich verformen.
- Das Fernsehgerät wird an Orten mit extremen Temperaturen aufgestellt, etwa in direktem Sonnenlicht, in der Nähe einer Heizung oder eines Warmluftauslasses. Es kann sich das Fernsehgerät überhitzen und das Gehäuse kann sich verformen und/oder es kommt zu Fehlfunktionen am Fernsehgerät.



- Wenn das Fernsehgerät in der Umkleidekabine eines Schwimmbads oder Thermalbads aufgestellt wird, kann das Fernsehgerät durch Schwefeldämpfe usw. beschädigt werden.
- Für eine optimale Bildqualität schützen Sie den Bildschirm vor direkter Beleuchtung oder direktem Sonnenlicht.



- Bringen Sie das Fernsehgerät möglichst nicht von einem kalten in einen warmen Raum. Bei plötzlichen Temperaturschwankungen kann sich Feuchtigkeit niederschlagen. Dies kann die Bild- und/oder Farbqualität am Fernsehgerät beeinträchtigen. Lassen Sie die Feuchtigkeit in einem solchen Fall vor dem Einschalten des Fernsehgeräts vollständig verdunsten.

Bruchstücke:

- Werfen Sie nichts gegen das Fernsehgerät. Das Glas des Bildschirms könnte durch den Aufprall zerbrechen und schwere Verletzungen verursachen.
- Falls die Oberfläche des Fernsehgeräts zerspringt, ziehen Sie zuerst das Netzkabel aus der Steckdose, bevor Sie das Gerät berühren. Andernfalls könnte es zu einem elektrischen Schlag kommen.

Wenn das Gerät nicht benutzt wird

- Zum Schutz der Umwelt und aus Sicherheitsgründen empfiehlt es sich, das Fernsehgerät vom Stromnetz zu trennen, wenn es mehrere Tage nicht benutzt wird.
- Da das Fernsehgerät auch in ausgeschaltetem Zustand mit dem Stromnetz verbunden ist, wenn es nur ausgeschaltet wurde, muss der Stecker aus der Netzsteckdose gezogen werden, um das Fernsehgerät vollkommen auszuschalten.
- Bei einigen Fernsehgeräten gibt es möglicherweise Funktionen, für die das Fernsehgerät in den Bereitschaftsmodus geschaltet sein muss.

Kinder

- Sorgen Sie dafür, dass Kinder nicht auf das Fernsehgerät klettern.
- Bewahren Sie kleine Zubehörteile außerhalb der Reichweite von Kindern auf, damit diese nicht irrtümlicherweise verschluckt werden.

Falls folgende Probleme auftreten...

Schalten Sie das Fernsehgerät sofort aus und ziehen Sie den Netzstecker aus der Steckdose, sobald eines der folgenden Probleme auftritt.

Wenden Sie sich an Ihren Händler oder das Sony Kundendienstzentrum, um es von qualifiziertem Fachpersonal überprüfen zu lassen.

Wenn:

- Das Netzkabel beschädigt ist.
- Der Stecker nicht fest in der Netzsteckdose sitzt.
- Das Fernsehgerät durch Fallen, Stoßen oder einen geworfenen Gegenstand beschädigt ist.
- Flüssigkeit oder Fremdkörper durch die Öffnungen in das Fernsehgerät gelangen.

Über LCD-Fernsehgerät Temperatur

Wenn das LCD-Fernsehgerät längere Zeit genutzt wird, erwärmt sich der Bereich um den Bildschirm herum. Dieser Bereich kann sich heiß anfühlen, wenn Sie ihn mit der Hand berühren.

Sicherheitsmassnahmen

Fernsehen

- Schauen Sie bei gemäßigter Beleuchtung fern. Durch falsche Beleuchtung oder langes Fernsehen werden die Augen belastet.
- Stellen Sie beim Verwenden von Kopfhörern die Lautstärke moderat ein. Andernfalls kann es zu Gehörschäden kommen.

LCD-Bildschirm

- Obwohl bei der Herstellung des LCD-Bildschirms mit hochpräziser Technologie gearbeitet wird und der Bildschirm 99,99 % und mehr effektive Pixel besitzt, ist es möglich, dass dauerhaft einige schwarze oder leuchtende Punkte (rot, grün oder blau) sichtbar sind. Es handelt sich dabei um eine strukturelle Eigenschaft von LCD-Bildschirmen und nicht um eine Fehlfunktion.
- Stoßen Sie nicht gegen den Filter an der Vorderseite, zerkratzen Sie ihn nicht und stellen Sie nichts auf dieses Fernsehgerät. Das Bild kann ungleichmäßig werden und der LCD-Bildschirm kann beschädigt werden.
- Wenn dieses Fernsehgerät an einem kalten Ort verwendet wird, kommt es möglicherweise zu Schmierstreifen im Bild oder das Bild wird dunkel. Dabei handelt es sich nicht um ein Versagen. Diese Effekte verschwinden, wenn die Temperatur steigt.
- Wenn Standbilder längere Zeit angezeigt werden, kann es zu Doppelbildern kommen. Dieser Effekt verschwindet in der Regel nach einigen Augenblicken.
- Bildschirm und Gehäuse erwärmen sich, wenn das Fernsehgerät in Betrieb ist. Dies ist keine Fehlfunktion.
- Der LCD-Bildschirm enthält eine kleine Menge Flüssigkristalle. Befolgen Sie bei der Entsorgung die bei Ihnen geltenden Entsorgungsrichtlinien.

Pflegen und Reinigen der Bildschirmoberfläche bzw. des Gehäuses des Fernsehgeräts

Trennen Sie das Netzkabel unbedingt von der Netzsteckdose, bevor Sie das Gerät reinigen.

Um Materialschäden oder Schäden an der Bildschirmbeschichtung zu vermeiden, beachten Sie bitte folgende Vorsichtsmaßnahmen.

- Entfernen Sie Staub vorsichtig mit einem weichen Tuch von der Bildschirmoberfläche bzw. dem Gehäuse. Bei stärkerer Verschmutzung feuchten Sie ein weiches Tuch leicht mit einer milden Reinigungslösung an und wischen dann über den Bildschirm.
- Sprühen Sie niemals Wasser oder Reinigungsmittel direkt auf das Fernsehgerät. Es kann bis zur Unterseite des Bildschirms oder der Außenteile laufen und in das Fernsehgerät gelangen und so Schäden am Fernsehgerät verursachen.
- Verwenden Sie keine Scheuerschwämme, keine alkalischen/säurehaltigen Reinigungsmittel, kein Scheuerpulver oder flüchtigen Lösungsmittel wie Alkohol, Benzin, Verdünnung oder Insektizide. Wenn Sie solche Mittel verwenden oder das Gerät längere Zeit mit Gummi- oder Vinylmaterialien in Berührung kommt, kann es zu Schäden an der Bildschirm- oder der Gehäuseoberfläche kommen.
- Berühren Sie das Fernsehgerät nicht, wenn Sie gerade chemische Stoffe wie Hand- oder Sonnenschutzcreme an den Händen haben.
- Um eine ausreichende Belüftung zu gewährleisten, wird regelmäßiges Staubsaugen der Lüftungsöffnungen empfohlen.
- Wenn Sie den Winkel des Fernsehgeräts einstellen, bewegen Sie das Fernsehgerät mit Vorsicht, damit es nicht verrutscht oder vom Ständer fällt.

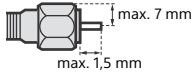


Sonderzubehör

- Halten Sie Zusatzteile oder Geräte mit elektromagnetischer Strahlung von dem Fernsehgerät fern. Andernfalls können Bild- und/oder Tonstörungen auftreten.
- Dieses Gerät wurde geprüft und erfüllt die EMV-Richtlinie, sofern ein Signalverbindungskabel von unter 3 m Länge verwendet wird.
- Dieses Gerät wurde geprüft und erfüllt die EMV-Richtlinie, sofern ein HF-Kabel von unter 30 m Länge für den terrestrischen/Satelliten-/CATV-Eingang verwendet wird.

Empfehlung für Stecker des F-Typs

Der Vorsprung der inneren Leitung ab dem Verbindungsteil darf höchstens 1,5 mm betragen.



(Referenzabbildung für Stecker des F-Typs)

Drahtlosfunktion des Geräts

- Das Gerät darf nicht in der Nähe medizinischer Geräte (Schrittmacher usw.) betrieben werden, da dies deren Funktionsweise beeinträchtigen kann.
- Obwohl dieses Gerät verschlüsselte Signale sendet/empfängt, müssen Sie sich vor nicht autorisiertem Empfang von Signalen schützen. Für etwaige Probleme diesbezüglich kann keine Haftung übernommen werden.
- Dieses Gerät sollte in einem Mindestabstand von 20 cm zwischen der Antenne dieses Geräts und dem Körper einer Person installiert und betrieben werden.

Vorsichtshinweis zum Umgang mit der Fernbedienung

- Achten Sie beim Einsetzen von Batterien auf die richtige Polung.
- Verwenden Sie Batterien unterschiedlicher Typen nicht gemeinsam und auch nicht alte und neue Batterien zusammen.
- Entsorgen Sie verbrauchte Batterien umweltschonend. Beachten Sie bitte geltende Entsorgungsrichtlinien für Batterien. Wenden Sie sich ggf. an die zuständige Behörde.
- Behandeln Sie die Fernbedienung sorgfältig. Lassen Sie sie nicht fallen, treten Sie nicht darauf und schütten Sie keine Flüssigkeiten darauf.
- Bewahren Sie die Fernbedienung nicht neben einer Wärmequelle, unter direkter Sonneneinstrahlung oder an einem feuchten Ort auf.

Entsorgung des Fernsehgeräts



Entsorgung von gebrauchten elektrischen und elektronischen Geräten (anzuwenden in den Ländern der Europäischen Union und anderen europäischen Ländern mit einem separaten Sammelsystem für diese Geräte)

Das Symbol auf dem Produkt oder seiner Verpackung weist darauf hin, dass dieses Produkt nicht als normaler Haushaltsabfall zu behandeln ist, sondern an einer Annahmestelle für das Recycling von elektrischen und elektronischen Geräten abgegeben werden muss. Durch Ihren Beitrag zum korrekten Entsorgen dieses Produkts schützen Sie die Umwelt und die Gesundheit Ihrer Mitmenschen. Umwelt und Gesundheit werden durch falsches Entsorgen gefährdet. Materialrecycling hilft, den Verbrauch von Rohstoffen zu verringern. Weitere Informationen zum Recycling dieses Produkts erhalten Sie bei Ihrer Gemeindeverwaltung, den kommunalen Entsorgungsbetrieben oder dem Geschäft, in dem Sie das Produkt gekauft haben.

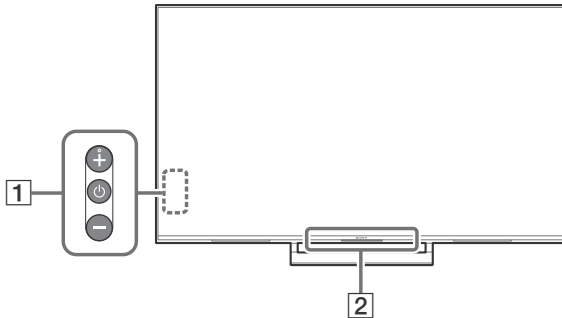


Entsorgung von gebrauchten Batterien und Akkus (anzuwenden in den Ländern der Europäischen Union und anderen europäischen Ländern mit einem separaten Sammelsystem für diese Produkte)

Das Symbol auf der Batterie/dem Akku oder der Verpackung weist darauf hin, dass diese nicht als normaler Haushaltsabfall zu behandeln sind. Ein zusätzliches chemisches Symbol Pb (Blei) oder Hg (Quecksilber) unter der durchgestrichenen Mülltonne bedeutet, dass die Batterie/der Akku einen Anteil von mehr als 0,0005 % Quecksilber oder 0,004 % Blei enthält. Durch Ihren Beitrag zum korrekten Entsorgen dieser Batterien/Akkus schützen Sie die Umwelt und die Gesundheit Ihrer Mitmenschen. Umwelt und Gesundheit werden durch falsches Entsorgen gefährdet. Materialrecycling hilft, den Verbrauch von Rohstoffen zu verringern. Bei Produkten, die auf Grund ihrer Sicherheit, der Funktionalität oder als Sicherung vor Datenverlust eine ständige Verbindung zur eingebauten Batterie benötigen, sollte die Batterie nur durch qualifiziertes Servicepersonal ausgetauscht werden. Um sicherzustellen, dass die Batterie korrekt entsorgt wird, geben Sie das Produkt zwecks Entsorgung an einer Annahmestelle für das Recycling von elektrischen und elektronischen Geräten ab. Für alle anderen Batterien entnehmen Sie die Batterie bitte entsprechend dem Kapitel über die sichere Entfernung der Batterie. Geben Sie die Batterie an einer Annahmestelle für das Recycling von Batterien/Akkus ab. Weitere Informationen über das Recycling dieses Produkts oder der Batterie erhalten Sie von Ihrer Gemeinde, den kommunalen Entsorgungsbetrieben oder dem Geschäft, in dem Sie das Produkt gekauft haben. Hinweis für Lithiumbatterien: Bitte geben Sie nur entladene Batterien an den Sammelstellen ab. Wegen Kurzschlussgefahr überleben Sie bitte die Pole der Batterie mit Klebestreifen. Sie erkennen Lithiumbatterien an den Abkürzungen Li oder CR.

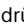
Komponenten und Bedienelemente

Bedienelemente und Anzeigen




1 (Ein/Aus) +/-

Wenn das Fernsehgerät ausgeschaltet ist,

drücken Sie  zum Einschalten.

Wenn das Fernsehgerät eingeschaltet ist,

Zum Ausschalten halten Sie  gedrückt.

Drücken Sie mehrmals  , um die Funktion zu ändern, und drücken Sie dann die Taste + oder -, um Folgendes auszuführen:

- Lautstärkeeinstellung.
- Kanalauswahl.
- Auswahl der Eingangsquelle des Fernsehgeräts.

2 **Sensor der Fernbedienung* / Lichtsensor* / Beleuchtungs-LED**

Die Beleuchtungs-LED leuchtet oder blinkt entsprechend dem Status des Fernsehgeräts.

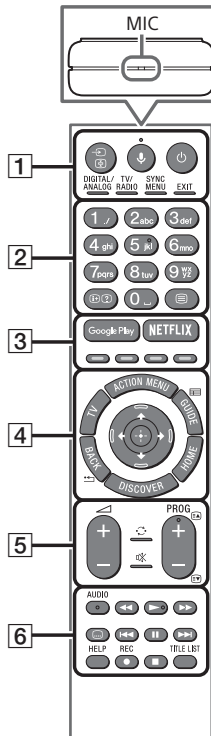
Weitere Informationen finden Sie in der Hilfe.

* Stellen Sie nichts in die Nähe des Sensors.

Verwenden der Fernbedienung

Fernbedienung – Beschreibung der Teile

Die Form der Fernbedienung sowie die Position, Verfügbarkeit und Funktion der Fernbedienungstasten kann abhängig von der Region/vom Land/vom Fernsehgerät-Modell variieren.



1 / (Eingangswahl/Text anhalten)

Im TV-Modus: Eingangsquelle anzeigen lassen und auswählen.

Im Text-Modus: Stoppt auf der aktuellen Seite.

(Mikrofon)

Verwenden der Sprach-Funktion. (Zum Beispiel: Suche verschiedener Inhalte über die Stimme.)

(TV-Standby)

Schalten Sie das Fernsehgerät ein oder aus (Standby-Modus).

DIGITAL/ANALOG

Schalten Sie zwischen dem Digital- und Analogmodus um.

TV/RADIO

Schalten Sie zwischen TV- und RADIO-Sendungen um.

SYNC MENU

Rufen Sie das BRAVIA Sync-Menü auf.

EXIT

Rufen Sie den vorherigen Bildschirm auf oder schließen Sie das Menü. Wenn der Dienst Interaktive Anwendung verfügbar ist, drücken Sie diese Taste, um den Dienst zu beenden.

2 Zifferntasten

(Info/Text aufdecken)

Zeigt Informationen an.

(Text)

Diese Taste zeigt Textinformationen an.

3 Google Play

Rufen Sie den Onlinedienst „Google Play“ auf.

NETFLIX (nur in bestimmten Regionen/ Ländern bzw. für bestimmte Fernsehgerätemodelle)

Rufen Sie den Onlinedienst „NETFLIX“ auf.

Farbtasten

Mit diesen Tasten können Sie die entsprechenden Funktionen ausführen.

4 ACTION MENU

Zeigen Sie eine Liste der Kontextfunktionen an.

TV

- Schalten Sie zu einem Fernsehkanal oder zur Einspeisung anderer Geräte um.
- Schalten Sie das Fernsehgerät ein, um einen Fernsehkanal oder den Eingang anzuzeigen.

GUIDE/

Zeigen Sie die digitale Programmübersicht an.

BACK/

Rufen Sie den vorherigen Bildschirm auf.

HOME

Zeigen Sie das Startmenü des Fernsehgeräts an.

DISCOVER

Rufen Sie die Inhaltsleiste auf, um nach Inhalten zu suchen.

(Element auswählen/ Eingabe)

5 +/- (Lautstärke)

Passen Sie die Lautstärke an.

(Springen)

Springen Sie zwischen zwei Kanälen oder Eingängen hin und her. Das Fernsehgerät wechselt zwischen dem aktuellen Kanal oder Eingang und dem letzten Kanal oder Eingang, der ausgewählt war.

(Stummschaltung)

Schalten Sie den Ton stumm. Drücken Sie die Taste erneut, um den Ton wieder hörbar zu machen.

PROG +/-/

Im TV-Modus: Wählen Sie den Kanal.

Im Text-Modus: Wählen Sie die nächste () oder vorherige () Seite.

6 **AUDIO**

Ändern Sie die Sprache für das Programm, das derzeit wiedergegeben wird.



Bedienen Sie Medieninhalte auf dem Fernsehgerät und auf einem angeschlossenen Gerät, das mit BRAVIA Sync kompatibel ist.

(Untertiteleinstellung)

Aktivieren oder deaktivieren Sie die Untertitel (wenn die Funktion verfügbar ist).

HELP

Zeigen Sie das Hilfe-Menü an. Von hier aus kann auf die Hilfe zugegriffen werden.

REC

Nehmen Sie die aktuelle Sendung mit der USB HDD-Aufnahmefunktion auf.

TITLE LIST

Zeigen Sie die Titelliste an.

1 **USB 1/2, *SS* USB 3 (HDD REC)*³**

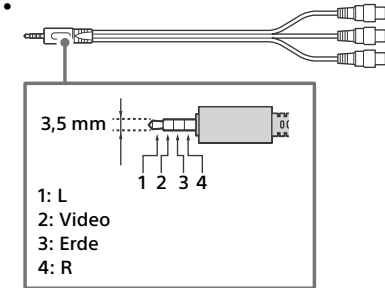
- Wenn Sie hier ein großes USB-Gerät anschließen, kann das die daneben angeschlossenen Geräte behindern.
- Wenn Sie ein großes USB-Gerät anschließen, schließen Sie es an die Buchse USB 1 an.

2 **AUDIO OUT**

- Unterstützt nur 3-polige Stereo-Minibuchse.
- Um den Ton des Fernsehgeräts über die angeschlossenen Geräte wiederzugeben, drücken Sie **HOME**. Wählen Sie [Einstellungen] → [Ton] → [Kopfhörer/Audioausgang] und dann das gewünschte Element.

3 **AV IN 1**

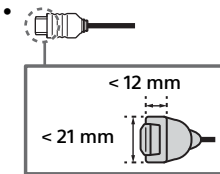
- Bei einer Composite-Verbindung verwenden Sie ein Verlängerungskabel für analoge Eingänge (nicht mitgeliefert).



4 **IR BLASTER*³**

5 **HDMI IN 1/2/3/4**

- Wenn Sie ein digitales Audiosystem anschließen, das mit der Technologie Audio Return Channel (ARC) kompatibel ist, verwenden Sie HDMI IN 3. Andernfalls ist ein zusätzlicher Anschluss über DIGITAL AUDIO OUT (OPTICAL) notwendig.



6 **(Satelliteneingang), (RF-Eingang)**

- Anschlüsse für terrestrisch/Kabel und Satellit. Anschlussschritte: SUB. → Antenne → MAIN
- Was die SUB.-Buchse betrifft, stellen Sie diese Verbindung nur her, wenn Sie den Twin-Tuner-Modus verwenden (Ausnahme: Unicable EN50494).

7 **CAM (Conditional Access Module)**

- Dieser Steckplatz bietet Zugang zu Pay-TV-Diensten. Erläuterungen dazu finden Sie in der Bedienungsanleitung im Lieferumfang des CAM.
- Stecken Sie die Smart-Card nicht direkt in den CAM-Steckplatz des Fernsehgeräts. Sie muss in das Conditional Access Module eingesetzt werden, das Sie von Ihrem autorisierten Händler erhalten haben.
- CAM wird in einigen Länder/Gegenden nicht unterstützt. Fragen Sie dazu einen autorisierten Händler.
- Möglicherweise wird eine CAM-Meldung angezeigt, wenn Sie nach der Wiedergabe von Internetvideos zu einem Digitalprogramm umschalten.

*1 Wenn Sie Mono-Geräte anschließen, schließen Sie sie an den Audioanschluss L (MONO) an.

*2 Für ein externes Gerät, das nur einen Anschluss vom Typ SCART AV OUT hat, verwenden Sie einen SCART-Cinch-Adapter.

*3 Nur in bestimmten Regionen/Ländern bzw. für bestimmte Fernsehmodelle.

Montieren des Fernsehgeräts an der Wand

Verwenden der optionalen Wandhalterung

Die Bedienungsanleitung des Fernsehgeräts zeigt nur die Schritte zur Vorbereitung der Montage des Fernsehgeräts vor der Montage an der Wand.

An die Kunden:

Aus Gründen des Produktschutzes und aus Sicherheitsgründen empfiehlt Sony dringend, die Montage des Fernsehgeräts von Sony-Händlern oder lizenzierten Fachleuten durchführen zu lassen. Versuchen Sie nicht, es selbst zu montieren.

An Sony-Händler und -Fachleute:

Widmen Sie während der Montage, der regelmäßigen Wartung und der Überprüfung dieses Produkts Ihre volle Aufmerksamkeit der Sicherheit.

Dieses Produkt sollte nur von einem professionellen Monteur installiert werden, der darin geschult ist, die Stärke der Wand zu bestimmen, die das Gewicht des Fernsehgeräts tragen muss. Wenn das Gerät während der Installation nicht ordnungsgemäß gesichert wird, kann das Fernsehgerät herunterfallen und schwerwiegende Verletzungen verursachen. Sony ist nicht haftbar für Schäden oder Verletzungen, die durch einen fehlerhaften Umgang oder die unsachgemäße Installation bzw. die Installation eines anderen als des angegebenen Produkts verursacht wurden. Ihre eventuellen gesetzlichen Rechte werden nicht eingeschränkt.

Verwenden Sie die Wandhalterung SU-WL845 (nicht mitgeliefert) (nur KD-75XE94xx und KD-65XE93xx), SU-WL840 (nicht mitgeliefert) (nur KD-55XE93xx) oder SU-WL450 (nicht mitgeliefert) (nur KD-65/55XE93xx), um das Fernsehgerät an der Wand zu montieren. Wenn Sie die Wandhalterung montieren, beachten Sie auch die Bedienungsanleitung und die Installationsanleitung im Lieferumfang der Wandhalterung.

Anmerkung

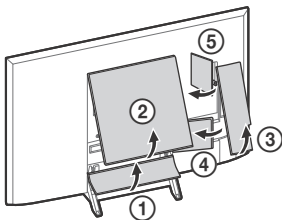
- Achten Sie darauf, die entfernten Schrauben an einem sicheren Ort aufzubewahren und sie von Kindern fernzuhalten.
- Stellen Sie sicher, dass an der Wand ausreichend Platz für das Fernsehgerät ist und dass sie mindestens das sechsfache Gewicht des Fernsehgeräts tragen kann.



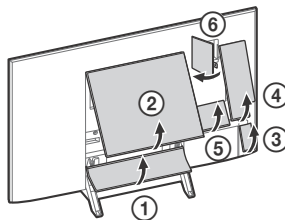
Anleitungen zur Montage der Wandhalterung für Ihr TV-Modell finden Sie auf der folgenden Website:
www.sony.eu/tv/wall-mount-bracket-manual

Entfernen Sie die Sockelabdeckung und Anschlussabdeckungen.

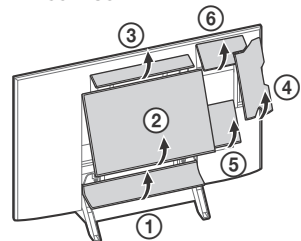
KD-75XE94xx



KD-65XE93xx



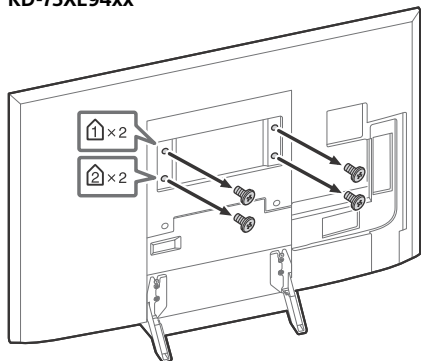
KD-55XE93xx



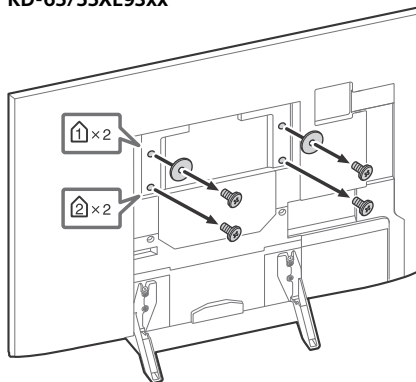
SU-WL845 (KD-75XE94xx, KD-65XE93xx), SU-WL840 (KD-55XE93xx)

Entfernen Sie die Schrauben von der Rückseite des Fernsehgeräts.

KD-75XE94xx

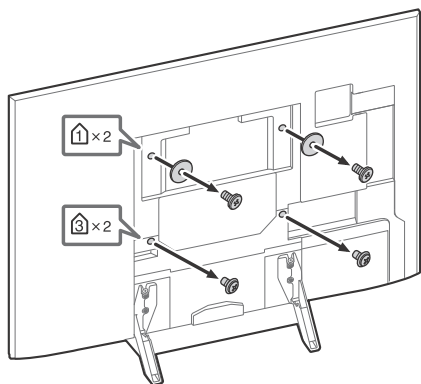


KD-65/55XE93xx

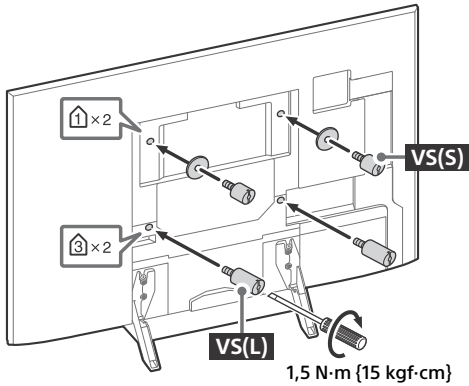


SU-WL450 (Nur KD-65/55XE93xx)

1 Entfernen Sie die Schrauben von der Rückseite des Fernsehgeräts.



- 2 Befestigen Sie die Wandmontagebefestigung (mit dem Fernsehgerät mitgeliefert) an der Rückseite des Fernsehgeräts (parallel zur Wand).



Anmerkung

- Wenn Sie einen elektrischen Schraubendreher benutzen, setzen Sie das Drehmoment bei etwa 1,5 N·m {15 kgf·cm} an.
- Achten Sie darauf, die Wandmontagebefestigung festzuschrauben, wenn Sie sie am Fernseher installieren. Verwenden Sie nur einen Schlitzschraubendreher, um die Wandmontagebefestigung zu installieren. Die Verwendung eines anderen Werkzeugs könnte zu einer Überdrehung der Wandmontagebefestigung und zur Beschädigung des Fernsehgeräts führen.

Nur KD-75XE94xx, KD-55XE93xx

Das Fernsehgerät kann mit einer Wandhalterung (nicht mitgeliefert) an der Wand befestigt werden.

Bereiten Sie das Fernsehgerät für die Wandhalterung vor, bevor Sie die Kabelanschlüsse herstellen.

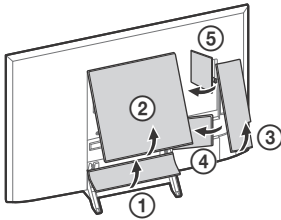
Dieses Produkt sollte nur von einem professionellen Monteur installiert werden, der darin geschult ist, die Stärke der Wand zu bestimmen, die das Gewicht des Fernsehgeräts tragen muss. Wenn das Gerät während der Installation nicht ordnungsgemäß gesichert wird, kann das Fernsehgerät herunterfallen und schwerwiegende Verletzungen verursachen. Sony ist nicht haftbar für Schäden oder Verletzungen, die durch einen fehlerhaften Umgang oder die unsachgemäße Installation bzw. die Installation eines anderen als des angegebenen Produkts verursacht wurden. Ihre eventuellen gesetzlichen Rechte werden nicht eingeschränkt.

Zum Schutz des Produktes und aus Sicherheitsgründen empfiehlt Sony dringend, die Installation des Fernsehgeräts an der Wand von einem qualifizierten Techniker durchführen zu lassen. Versuchen Sie nicht, es selbst zu montieren.

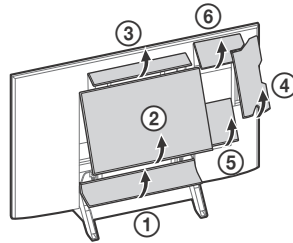
- Befolgen Sie die Anweisungen im Lieferumfang der Wandhalterung für Ihr Modell.
- Lagern Sie die nicht verwendeten Schrauben sowie den Tischständer an einem sicheren Ort, bis Sie den Tischständer anbringen möchten. Halten Sie die Schrauben von kleinen Kindern fern.
- Stellen Sie sicher, dass an der Wand ausreichend Platz für das Fernsehgerät ist und dass sie mindestens das sechsfache Gewicht des Fernsehgeräts tragen kann.

1 Entfernen Sie die Sockelabdeckung und Anschlussabdeckungen.

KD-75XE94xx

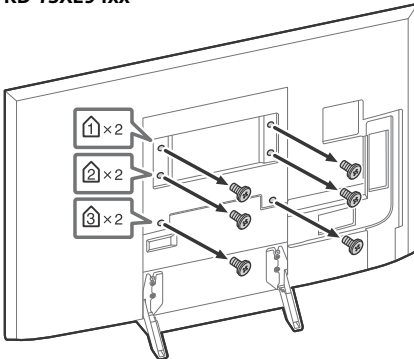


KD-55XE93xx

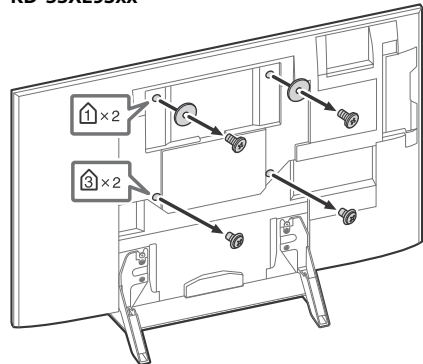


2 Entfernen Sie die Schrauben von der Rückseite des Fernsehgeräts.

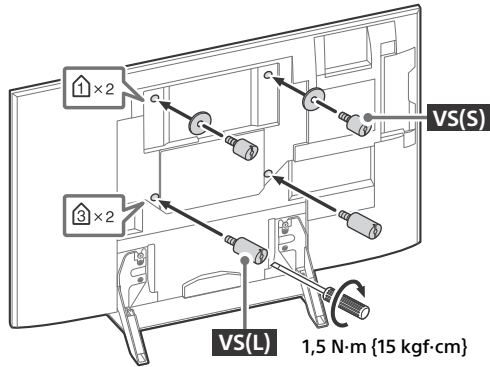
KD-75XE94xx



KD-55XE93xx

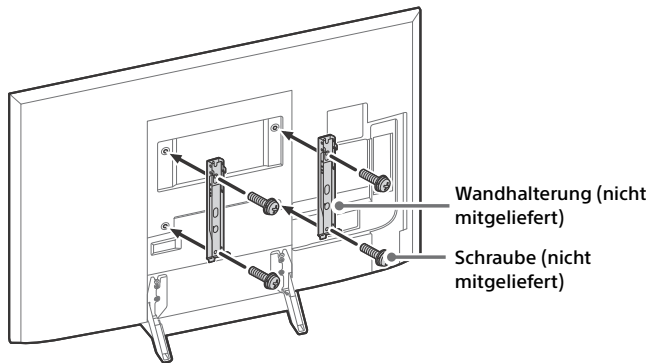


- 3** Befestigen Sie die Wandmontagebefestigung (mit dem Fernsehgerät mitgeliefert) an der Rückseite des Fernsehgeräts (parallel zur Wand). (Nur KD-55XE93xx)

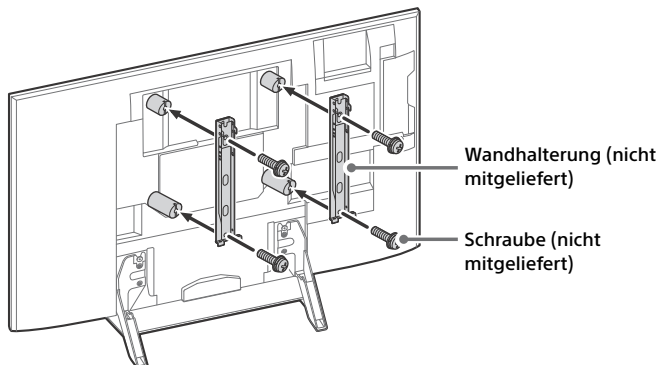


- 4** Befestigen Sie die Wandhalterung (nicht mitgeliefert) mit den Schrauben (nicht mitgeliefert).

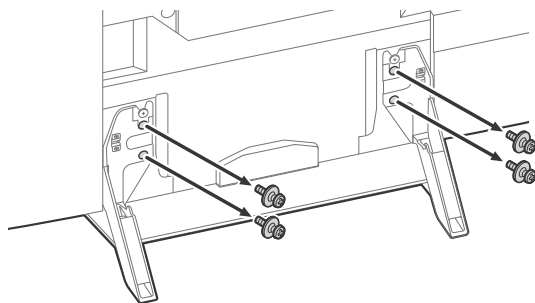
KD-75XE94xx



KD-55XE93xx



5 Lösen Sie den Tischständer vom Fernsehgerät.



Anmerkung

- Wenn Sie einen elektrischen Schraubendreher benutzen, setzen Sie das Drehmoment bei etwa 1,5 N·m {15 kgf·cm} an.
- Achten Sie darauf, die Wandmontagebefestigung festzuschrauben, wenn Sie sie am Fernseher installieren. Verwenden Sie nur einen Schlitzschraubendreher, um die Wandmontagebefestigung zu installieren. Die Verwendung eines anderen Werkzeugs könnte zu einer Überdrehung der Wandmontagebefestigung und zur Beschädigung des Fernsehgeräts führen.
- Sie können einige der Kabelhalter nicht an der Rückseite des Fernsehgeräts verwenden, wenn eine Wandhalterung (nicht mitgeliefert) benutzt wird.

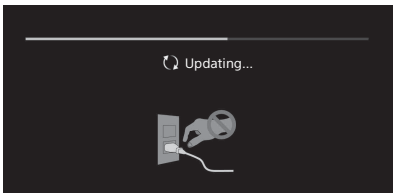
Störungsbehebung

Zur allgemeinen Problembehandlung bei Fehlern wie Schwarzbild, kein Ton, eingefrorenes Bild, Fernsehgerät reagiert nicht oder Netzwerk verloren führen Sie die folgenden Schritte aus.

- 1 Starten Sie Ihr Fernsehgerät neu, indem Sie die Netztaaste auf der Fernbedienung drücken, bis eine Meldung angezeigt wird. Das Fernsehgerät wird neu gestartet. Wenn das Fernsehgerät nicht wiederhergestellt wird, ziehen Sie das Netzkabel des Fernsehgeräts für zwei Minuten ab und stecken es dann erneut ein.
- 2 Schlagen Sie im Hilfe-Menü nach, indem Sie auf der Fernbedienung die Taste **HELP** drücken.
- 3 Verbinden Sie Ihr Fernsehgerät mit dem Internet, und führen Sie ein Softwareupdate durch.
- 4 Besuchen Sie die Sony-Supportwebsite (Informationen finden Sie auf der Rückseite).

Wenn die Nachricht [Eine neue Systemsoftware-Aktualisierung des TV-Systems ist verfügbar...] angezeigt wird.

Sony empfiehlt dringend, die Software des Fernsehgeräts zu aktualisieren, indem Sie [Jetzt aktualis.] auswählen. Diese Softwareupdates verbessern die Leistung Ihres Fernsehgeräts oder fügen neue Funktionen hinzu. Der folgende Bildschirm mit der Meldung [Updating...] (Update läuft...) wird angezeigt und die Beleuchtungs-LED blinkt weiß, während die Software aktualisiert wird.



Trennen Sie während der Softwareaktualisierung nicht das Netzkabel. Andernfalls wird die Softwareaktualisierung möglicherweise nicht vollständig abgeschlossen, was zu einer Fehlfunktion der Software führen kann. Die Softwareaktualisierungen können bis zu 15 Minuten dauern.

Wenn Sie das Fernsehgerät anschließen, lässt es sich unter Umständen nicht sofort wieder durch Drücken der Ein-/Ausschalttaaste auf der Fernbedienung oder am Fernsehgerät einschalten.

Es dauert eine Weile, das System zu initialisieren. Warten Sie ungefähr eine Minute und versuchen Sie es dann erneut.

Probleme und Lösungen

Wenn die Beleuchtungs-LED rot blinkt.

- Zählen Sie, wie oft sie blinkt (die Intervallzeit beträgt drei Sekunden). Setzen Sie das Fernsehgerät zurück, indem Sie das Netzkabel zwei Minuten lang trennen. Schalten Sie das Fernsehgerät dann ein. Wenn das Problem weiterhin besteht, trennen Sie das Netzkabel. Wenden Sie sich dann an Ihren Händler oder den Sony-Kundendienst und geben Sie an, wie häufig die Beleuchtungs-LED blinkt.

Es kann kein terrestrisches bzw. Kabelsignal empfangen werden.

- Prüfen Sie die Antennen- oder Kabelverbindung bzw. die Verstärkereinstellungen.
- Wählen Sie den terrestrischen bzw. Kabelempfang durch Drücken von **DIGITAL/ANALOG** auf der Fernbedienung. Wenn der Rundfunkdienst nicht angezeigt wird, drücken Sie **TV** und dann **DIGITAL/ANALOG**.
- Das terrestrische Signal ist evtl. unterdrückt, wenn in der Nähe ein starkes Signal anliegt. Setzen Sie [LNA (Ka ---)] in den Einstellungen des digitalen Suchlaufs auf [Aus].
- Führen Sie nach dem Umzug in eine neue Wohnung oder für den Empfang neuer Dienste einen Diensteschlauf aus, indem Sie [Digitaler Suchlauf] wählen.

Es kann kein Satellitensignal empfangen werden.

- Prüfen Sie die Satellitenkabelverbindung.
- Wenn die Meldung [Kein Signal. LNB Überlastung festgestellt...] angezeigt wird, trennen Sie das Netzkabel. Vergewissern Sie sich anschließend, dass das Satellitenkabel nicht beschädigt und die Satellitensignalleitung am Sat-Anschluss nicht kurzgeschlossen ist.

Die Fernbedienung funktioniert nicht.

- Tauschen Sie die Batterien aus.

Das Passwort für die Kindersicherung wurde vergessen.

- Geben Sie 9999 als PIN-Code ein, und wählen Sie [PIN-Code ändern].

Das Gehäuse des Fernsehgeräts erwärmt sich.

- Wenn das Fernsehgerät lange Zeit verwendet wird, erwärmt sich das Gehäuse des Fernsehgeräts.
Es fühlt sich möglicherweise heiß an, wenn Sie es mit der Hand berühren.

Technische Daten

TV-System

Bildschirmssystem

LCD-Bildschirm (Flüssigkristallbildschirm),
LED-Hintergrundbeleuchtung

Fernsehnorm

Abhängig von Landes-/Bereichsauswahl/
Fernsehgerätemodell
Analog: B/G, D/K, I
Digital: DVB-T/DVB-C
DVB-T2*
Satellit*: DVB-S/DVB-S2

Farbsystem

PAL, SECAM, NTSC3.58 (nur Video), NTSC4.43
(nur Video)

Kanalbereich

Abhängig von Landes-/Bereichsauswahl/
Fernsehgerätemodell
Analog: UHF/VHF/Kabel
Digital: UHF/VHF/Kabel
Satellit*: IF Frequenz 950-2.150 MHz

Tonausgänge

KD-75XE94xx, KD-65XE93xx: 10 W + 10 W + 10 W +
10 W + 10 W + 10 W
KD-55XE93xx: 5 W + 5 W + 10 W + 10 W + 10 W +
10 W

Wireless-Technologie

Protokoll IEEE802.11ac/a/b/g/n
(Abhängig vom Land/der Region ist IEEE802.11ac
möglicherweise nicht verfügbar.)
Bluetooth Version 4.1
Frequenzbänder: WLAN 2,4 GHz/5 GHz,
Bluetooth 2,4 GHz
Funkfrequenzenergie-Sendestation: 100 mW MAX

TV-Softwareversion:

PKG_..._...EUA
Drücken Sie **HELP** auf der Fernbedienung, um die
Softwareversion anzuzeigen.

* Nicht alle Fernsehgeräte verfügen über DVB-T2- oder
DVB-S/S2-Technologie oder
Satellitenantennenanschluss.

Eingangs-/Ausgangsbuchsen

Antenne/Kabel

75 Ohm, externer Anschluss für VHF/UHF

Satellitenantenn

Buchsenverbindung vom Typ F, 75 Ohm.
DiSeqC 1.0, LNB 13 V/18 V & 22 kHz Ton,
Unicable EN50494.

AV IN 1

Video/Audio-Eingang (Minibuchse)

COMPONENT IN

YPbPr (Komponenten-Video): 1080p (50, 60 Hz), 1080i (50, 60 Hz), 720p (50, 60 Hz), 576p, 576i, 480p, 480i

Audioeingang (Cinchstecker)

AV IN 2

Videoeingang (gängiger Cinchstecker mit Y-Eingang)

HDMI IN 1, 2, 3, 4 (unterstützen 4K-Auflösung, HDCP 2.2-kompatibel)

Video:

4096 × 2160p (50, 60 Hz)^{*1*2}, 4096 × 2160p (24 Hz)^{*1}, 3840 × 2160p (50, 60 Hz)^{*2}, 3840 × 2160p (24, 25, 30 Hz), 1080p (30, 50, 60 Hz), 1080/24p, 1080i (50, 60 Hz), 720p (30, 50, 60 Hz), 720/24p, 576p, 576i, 480p, 480i, Computerformate

*1 3840 × 2160p wird angezeigt, wenn 4096 × 2160p eingespeist wird.

*2 Nur HDMI IN 2 / 3.


Audio: 5,1-Kanal linear PCM: 32, 44,1, 48, 88,2, 96, 176,4 und 192 kHz, 16, 20 und 24 Bit, Dolby Digital, Dolby Digital Plus und DTS

ARC (Audio Return Channel: Audiorückkanal) (nur HDMI IN 3)

(zwei Kanäle, lineares PCM: 48 kHz, 16 Bit, Dolby Digital, Dolby Digital Plus, DTS)

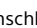
DIGITAL AUDIO OUT (OPTICAL)

Optische Digitalbuchse (zwei Kanäle, lineares PCM: 48 kHz, 16 Bit, Dolby Digital, DTS)

AUDIO OUT  (Stereo-Minibuchse)

Kopfhörer, Audioausgang, Subwoofer

 1,  2,  3 (HDD REC)^{*1}

USB-Geräteanschluss ( 3 USB-HDD-Gerät für REC-Funktion)

USB-Anschluss 1 und 2 unterstützen High-Speed-USB (USB2.0).

Der USB-Anschluss 3 unterstützt SuperSpeed-USB (USB3.0).

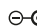


Einschub CAM (Zugangskontrollmodul)

LAN

10BASE-T/100BASE-TX-Anschluss (Je nach Betriebsumgebung des Netzwerks kann die Verbindungsgeschwindigkeit variieren.

10BASE-T/100BASE-TX-Kommunikationsrate und Kommunikationsqualität können für dieses Fernsehgerät nicht garantiert werden.)

 DC IN 24 V (nur Modelle mit mitgeliefertem Netzteil)

Netzteilanschluss

IR BLASTER^{*1}

Kabeleingang für IR Blaster (Miniklinke)

Sonstiges

Sonderzubehör

Wandhalterung: SU-WL845 (nur KD-75XE94xx, KD-65XE93xx)

Wandhalterung: SU-WL840 (nur KD-55XE93xx)

Wandhalterung: SU-WL450 (nur KD-65/55XE93xx)

Betriebstemperatur

0 °C – 40 °C

Betriebsluftfeuchtigkeit

10 % – 80 % relative Luftfeuchtigkeit (nicht kondensierend)

Stromversorgung, Produktdatenblatt und anderes

Spannungsversorgung

außer Modell mit mitgeliefertem Netzteil

220 V - 240 V Wechselstrom, 50 Hz

nur Modelle mit mitgeliefertem Netzteil

24 V Gleichstrom mit Netzteil

Belastbarkeit: Eingang 220 V - 240 V

Wechselstrom, 50 Hz

Energieeffizienzklasse

KD-75XE94xx: B

KD-65XE93xx: A

KD-55XE93xx: B

Bildschirmgröße (Diagonale) (Ca.)

KD-75XE94xx: 189,3 cm / 75 Zoll

KD-65XE93xx: 163,9 cm / 65 Zoll

KD-55XE93xx: 138,8 cm / 55 Zoll

Leistungsaufnahme

im Modus [Standard]

KD-75XE94xx: 298 W

KD-65XE93xx: 164 W

KD-55XE93xx: 137 W

im Modus [Brillant]

KD-75XE9405: 495 W

KD-65XE9305: 294 W

KD-55XE9305: 227 W

Durchschnittlicher Energieverbrauch im Jahr^{*2}

KD-75XE94xx: 413 kWh

KD-65XE93xx: 227 kWh

KD-55XE93xx: 190 kWh

Stromverbrauch im Standby-Betrieb^{*3*4}

0,50 W (27 W im Software-/EPG-

Aktualisierungsmodus)

Anzeigeauflösung

3.840 Punkte (horizontal) × 2.160 Zeilen (vertikal)

Ausgangsleistung

USB 1/2: 5 V, , 500 mA MAX.

USB 3: 5 V, , 900 mA MAX.

Abmessungen (Ca.) (B × H × T)

mit Tischständer

KD-75XE94xx: 167,3 × 103,7 × 32,5 cm

KD-65XE93xx: 145,1 × 91,3 × 29,5 cm

KD-55XE93xx: 123,2 × 79,0 × 28,2 cm

ohne Tischständer

KD-75XE94xx: 167,3 × 96,2 × 6,2 cm

KD-65XE93xx: 145,1 × 83,8 × 3,9 cm

KD-55XE93xx: 123,2 × 71,5 × 4,0 cm

Gewicht (Ca.)

mit Tischständer

KD-75XE94xx: 47,6 kg

KD-65XE93xx: 42,4 kg

KD-55XE93xx: 32,6 kg

ohne Tischständer

KD-75XE94xx: 42,8 kg

KD-65XE93xx: 38,2 kg

KD-55XE93xx: 28,6 kg

*1 Nur in bestimmten Regionen/Ländern bzw. für bestimmte Fernsehmodelle.

*2 Der Energieverbrauch pro Jahr wurde basierend auf der Leistungsaufnahme des Fernsehgeräts bei einer Betriebsdauer von 4 Stunden täglich an 365 Tagen berechnet. Der tatsächliche Energieverbrauch hängt von der Verwendung des Fernsehgeräts ab.

*3 Die Leistungsaufnahme im Standbybetrieb steigt, wenn der Fernseher mit dem Netzwerk verbunden ist.

*4 Die angegebene Leistungsaufnahme im Standby-Betrieb wird erreicht, nachdem das Fernsehgerät die notwendigen internen Prozesse abgeschlossen hat.

Anmerkung

- Entfernen Sie nicht die Abdeckung aus dem Einschub TV CAM (Zugangskontrollmodul), außer wenn Sie eine passende Smartcard in einem CAM einsetzen möchten.
- Die Verfügbarkeit des optionalen Zubehörs hängt vom Land/der Region/dem Fernsehmodell/der Lagerhaltung ab.
- Änderungen, die dem technischen Fortschritt dienen, bleiben vorbehalten.

Anmerkungen zu Funktionen für digitale Sender

- Digitalfernsehen (terrestrisches DVB-T, Satellit und Kabel), interaktive Dienste und Netzwerkfunktionen sind möglicherweise nicht in allen Ländern oder Regionen verfügbar. Einige Funktionen sind möglicherweise bei einigen Anbietern und in manchen Netzwerkumgebungen nicht aktiviert oder funktionieren evtl. nicht ordnungsgemäß. Einige TV-Dienstleister verlangen u. U. eine Gebühr für ihre Dienste.

- Dieses Fernsehgerät unterstützt Digitalrundfunk mit MPEG-2-, H.264/ MPEG-4 AVC- und H.265/HEVC-Codex. Eine Kompatibilität mit allen Betreibern/ Dienstsignalen, die sich im Laufe der Zeit ändern können, kann jedoch nicht garantiert werden.

Information zu Warenzeichen

- Die Begriffe HDMI und HDMI High-Definition Multimedia Interface und das HDMI-Logo sind Markenzeichen oder eingetragene Markenzeichen von HDMI Licensing LLC in den Vereinigten Staaten und anderen Ländern.
- In Lizenz von Dolby Laboratories gefertigt. Dolby, Dolby Audio und das Doppel-D-Symbol sind Markenzeichen von Dolby Laboratories.
- „BRAVIA“ und BRAVIA sind Markenzeichen der Sony Corporation.
- Gracenote, Gracenote eyeQ, Gracenote VideoID, Gracenote Video Explore, das Gracenote-Logo und das Gracenote-Firmenlogo sowie das „Powered by Gracenote“-Logo sind entweder eingetragene Marken oder Marken von Gracenote in den Vereinigten Staaten und/ oder anderen Ländern.
- Opera® Devices SDK. Copyright 1995-2016 Opera TV AS. All rights reserved.
- Wi-Fi, Wi-Fi Direct, Miracast, Wi-Fi Protected Setup und das Wi-Fi CERTIFIED-Logo sind Markenzeichen oder eingetragene Markenzeichen der Wi-Fi Alliance.
- Die DTS-Patente finden Sie unter <http://patents.dts.com>. Hergestellt unter Lizenz von DTS, Inc. DTS, das Symbol, & DTS und das Symbol zusammen sind eingetragene Markenzeichen und DTS Digital Surround ist ein Markenzeichen von DTS, Inc. © DTS, Inc. Alle Rechte vorbehalten.
- Die Bluetooth® Wortmarke und -Logos sind eingetragene Marken, die Eigentum der Bluetooth SIG, Inc. sind und von der Sony Corporation unter Lizenz verwendet werden. Andere Markenzeichen und Markennamen sind Eigentum der jeweiligen Rechteinhaber.

- DiSEqC™ ist ein Markenzeichen der EUTELSAT.
Dieses Fernsehgerät unterstützt DiSEqC 1.0.
Dieses Fernsehgerät eignet sich nicht zum Steuern von Motorantennen.
- TUXERA ist ein eingetragenes Markenzeichen der Tuxera Inc. in den USA und in anderen Ländern.
- Das USB-IF SuperSpeed USB-Dreizack-Logo ist eine eingetragene Marke von USB Implementers Forum, Inc. 

Índice

AVISO IMPORTANTE	2
Informações de segurança	3
Precauções	6
Peças e Controlos	8
Controlos e Indicadores	8
Utilizar o Telecomando	9
Descrição das Partes do Telecomando	9
Diagrama de Ligações	11
Instalar o televisor na parede	13
Utilizar o suporte de parede opcional	13
SU-WL845 (KD-75XE94xx, KD-65XE93xx), SU-WL840 (KD-55XE93xx)	14
SU-WL450 (Apenas KD-65/55XE93xx)	14
Apenas KD-75XE94xx, KD-55XE93xx	16
Resolução de problemas	19
Problemas e soluções	19
Características técnicas	20

Ligação de Internet e Privacidade de dados

Este produto liga-se à Internet durante a configuração inicial assim que a rede é ligada de forma a confirmar a ligação à Internet e posteriormente para configurar o ecrã Inicial. O seu endereço IP é utilizado nestas e todas as outras ligações à Internet. Se não quiser que o seu endereço IP seja utilizado, não configure a função de Internet sem fios e não ligue um cabo de Internet. Consulte as informações de privacidade apresentadas nos ecrãs de configuração para mais informações acerca das ligações à Internet.

Introdução

Obrigado por escolher este produto Sony.
Antes de utilizar o televisor, leia este manual com atenção e guarde-o para futuras consultas.

Nota

- Antes de utilizar o televisor, leia as "Informações de segurança" (página 3).
- As imagens e ilustrações utilizadas no Guia de configuração e neste manual destinam-se a ser utilizadas apenas como referência e podem ser diferentes do produto real.
- O "xx" que aparece no nome do modelo corresponde a um dígito numérico, relacionado com o design, a cor ou o sistema do televisor.

Localização do Guia de Configuração

O Guia de Configuração encontra-se em cima da bolsa de ar, dentro da embalagem do televisor.

Ajuda/Guia de Ajuda

A funcionalidade Ajuda disponibiliza muita informação acerca do seu televisor. Para utilizar a funcionalidade Ajuda, carregue em **HELP** no telecomando. Pode encontrar instruções de montagem e soluções para resolver problemas na lista de tópicos ou através de procura de palavras. Selecione [Guia de ajuda] no Menu de ajuda para ver o manual. Se ligar o televisor à Internet, a funcionalidade Ajuda e a informação serão atualizadas.

Localização da etiqueta de identificação

As etiquetas com o N.º de Modelo, a Data de Fabrico (ano/mês) e a classificação de Alimentação encontram-se na parte traseira do televisor ou na embalagem. Pode encontrá-las removendo a cobertura da base e a cobertura central.

Para modelos com adaptador de corrente fornecido:

As etiquetas com o N.º de Modelo e N.º de série do adaptador de corrente encontram-se na base do adaptador de corrente.

AVISO

PARA EVITAR
INCÊNDIOS,

MANTENHA VELAS E OUTRAS
FONTES DE CHAMA ABERTA
SEMPRE AFASTADAS DESTA
PRODUTO.



AVISO IMPORTANTE

Este produto foi fabricado por ou em nome da Sony Corporation, 1-7-1 Konan Minato-ku Tokyo, 108-0075 Japão. As questões relativas à conformidade dos produtos com base na legislação da União Europeia devem ser dirigidas ao representante autorizado, Sony Belgium, bijkantoor van Sony Europe Limited, Da Vincilaan 7-D1, 1935 Zaventem, Bélgica. Para quaisquer assuntos de serviço ou garantia, consulte os endereços fornecidos nos documentos de serviço ou de garantia.

Aviso para Equipamento de Rádio



Por este meio, a Sony Corporation declara que os equipamentos de rádio tipo KD-75XE9405, KD-65XE9305, KD-55XE9305 estão conforme os requisitos essenciais e outras provisões da Diretiva 1999/5/UE. Para mais detalhes, por favor aceda ao seguinte endereço URL: <http://www.compliance.sony.de/>

Este equipamento de rádio pode ser operado na UE sem infringir os requisitos aplicáveis sobre a utilização de espectro de rádio.

Nota para os clientes: as seguintes informações apenas se aplicam a equipamento comercializado em países que aplicam as diretivas da UE.

O sistema sem fios de televisão pode ser utilizado nos seguintes países:

AT, BE, HR, CY, CZ, DK, EE, FI, FR, DE, EL, HU, IE, IT, LV, LT, LU, MT, NL, PL, PT, SK, SI, ES, SE, UK, IS, LI, NO, CH, BG, RO, TR, AL, BA, MK, MD, RS, ME, Kosovo

Este equipamento pode ser utilizado noutros países não europeus.

Informações de segurança

ATENÇÃO

As baterias não podem ser expostas a calor excessivo, como à luz do sol, perto do fogo ou situações semelhantes.

Nunca coloque o televisor num local instável. O televisor pode cair, causando ferimentos pessoais ou morte. Muitos ferimentos, em particular nas crianças, podem ser evitados tomando simples precauções como:

- Utilizar caixas ou bases recomendadas pelo fabricante do televisor.
- Utilizar apenas mobiliário que consiga suportar em segurança o televisor.
- Assegurar que o televisor não se encontra na extremidade do mobiliário de suporte.
- Não colocar o televisor em mobiliário alto (por exemplo, armários ou estantes) sem fixar ambos, o mobiliário e o televisor, a um suporte adequado.
- Não colocar o televisor com panos ou outros materiais que fiquem entre o televisor e o mobiliário de suporte.
- Educar as crianças para os perigos de subir ao mobiliário para alcançar o televisor ou os comandos.

Se o seu televisor está a ser guardado e mudado de sítio, devem ser aplicadas as mesmas considerações.

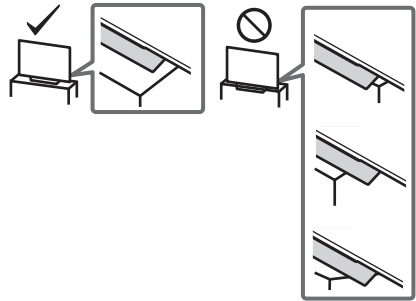
Instalação/Programação

Instale e utilize o televisor conforme as instruções abaixo para evitar todo o risco de incêndio, choque elétrico ou avaria e/ou feridas.

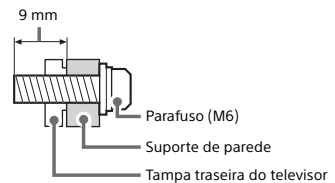
Instalação

- O televisor deve ser instalado perto de uma tomada de corrente elétrica facilmente acessível.
- Coloque o televisor numa superfície nivelada e estável, para evitar que caia e provoque ferimentos pessoais ou danos no produto.
- Instale o televisor num local onde não possa ser puxado, empurrado ou derrubado.

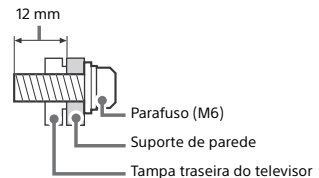
- Instale o televisor de forma a que o suporte de fixação para mesas do televisor não fique de fora do suporte do televisor (não fornecido). Se o suporte de fixação para mesas ficar de fora do suporte do televisor, poderá levar a que o aparelho caia e provoque ferimentos pessoais ou danos no televisor.



- Só técnicos de assistência qualificadas devem realizar as instalações de suporte de parede.
- Por razões de segurança, recomendamos fortemente que utilize acessórios da Sony, a incluir:
 - Suporte de parede SU-WL845 (Apenas KD-75XE94xx, KD-65XE93xx)
 - Suporte de parede SU-WL840 (Apenas KD-55XE93xx)
 - Suporte de parede SU-WL450 (Apenas KD-65/55XE93xx)
- Certifique-se de que utiliza os parafusos fornecidos com o suporte de parede quando instalar o suporte de parede no televisor. Os parafusos fornecidos têm a dimensão indicada pela ilustração quando medidos a partir da superfície de fixação do suporte de parede. O diâmetro e o comprimento dos parafusos são diferentes dependendo do modelo de Suporte para montagem na parede. A utilização de parafusos diferentes dos fornecidos pode provocar avarias internas no televisor ou fazer com que caia, etc.
- Suporte de parede opcional (Apenas SU-WL845, SU-WL840) Lado superior

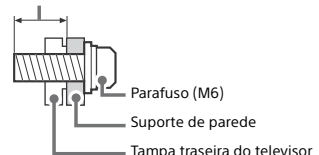


Lado inferior

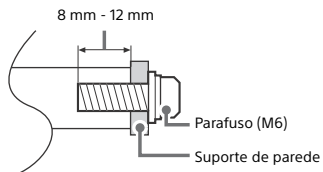


- Suporte de parede opcional (Exceto SU-WL845, SU-WL840) KD-75XE94xx

9 mm - 13 mm

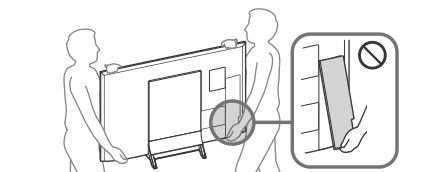
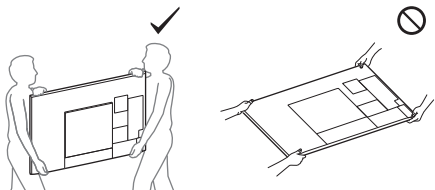


KD-65/55XE93xx

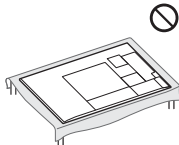


Transporte

- Antes de transportar o televisor, desligue todos os cabos.
- São necessárias duas ou mais pessoas para transportar um televisor de tamanho grande.
- Ao transportar manualmente o televisor, segure-o conforme é apresentado abaixo. Não faça pressão sobre o painel LCD nem sobre a moldura em redor do ecrã.

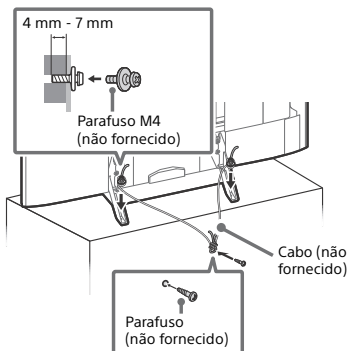
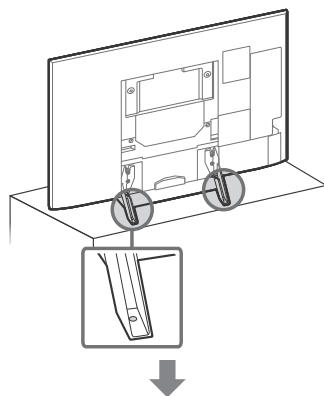


- Ao manusear ou instalar o televisor, não deite o televisor.



- Não exponha o televisor a choques ou vibrações excessivas durante o transporte.
- Se tiver que transportar o televisor ou levá-lo para reparações, utilize a caixa e os materiais de embalagem originais.

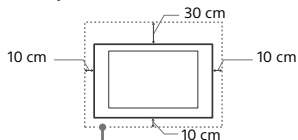
Prevenir quedas



Ventilação

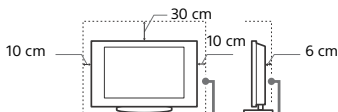
- Nunca tape os orifícios de ventilação nem introduza nenhum objeto na caixa.
- Deixe espaço à volta do televisor como mostrado abaixo.
- Recomendamos fortemente que utilize o suporte para montagem na parede da Sony para permitir uma circulação de ar adequada.

Instalação na parede



Deixe pelo menos este espaço à volta do televisor.

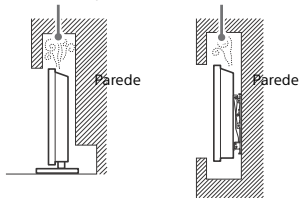
Instalação com base



Deixe pelo menos este espaço à volta do televisor.

- Para assegurar uma ventilação adequada e evitar a acumulação de sujidade ou poeira:
 - Não instale o televisor em posição horizontal, às avessas, para trás ou de lado.
 - Não coloque o televisor numa estante, num tapete, numa cama ou num armário.
 - Não tape o televisor com panos, por exemplo, cortinas nem com outros objetos, como jornais, etc.
 - Não instale o televisor como mostrado abaixo.

Circulação de ar bloqueada.



Cabo de alimentação

Manipule o cabo de alimentação e a tomada da seguinte maneira para evitar todo o risco de incêndio, choque elétrico ou avaria e/ou feridas:

- Utilize apenas um cabo de alimentação fornecido pela Sony e não por outros fornecedores.
- Introduza a ficha na tomada até ao fim.
- Este televisor funciona apenas com corrente alternada de 220 V - 240 V.
- Por motivos de segurança, desligue o cabo de alimentação e evite que os seus pés fiquem entre os cabos quando efetuar as ligações.
- Desligue o cabo de alimentação da tomada elétrica antes de trabalhar com o televisor ou de deslocá-lo.
- Afaste o cabo de alimentação de fontes de calor.
- Desligue a ficha e limpe-a regularmente. Se a ficha estiver húmida e coberta de pó, o isolamento pode ficar danificado, o que pode provocar um incêndio.

Nota

- Não utilize o cabo de alimentação fornecido em qualquer outro equipamento.
- Não entale, dobre ou torça o cabo à força. Os fios principais podem ficar descarnados ou ser cortados.
- Não modifique o cabo de alimentação.
- Não coloque objetos pesados em cima do cabo de alimentação.
- Nunca puxe pelo próprio cabo de alimentação quando o desligar.
- Não ligue muitos aparelhos à mesma tomada.
- Não utilize uma tomada de corrente que não esteja bem presa à parede.

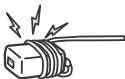
NOTA SOBRE O TRANSFORMADOR DE CORRENTE (apenas para modelos com adaptador de corrente fornecido)

Atenção

Para reduzir o risco de incêndio ou choque elétrico, não exponha este aparelho à chuva ou humidade.

Para evitar o risco de incêndio ou choque elétrico, não coloque recipientes com líquidos, como jarras, em cima do aparelho. Não instale este equipamento num espaço fechado, como uma estante ou uma unidade semelhante.

- Certifique-se de que a tomada de corrente elétrica está instalada perto do equipamento e é de fácil acesso.
- Certifique-se de que utiliza o transformador de corrente e o cabo de alimentação fornecidos.
- Não utilize outro transformador de corrente. Poderá provocar uma avaria.
- Ligue o transformador de corrente a uma tomada de corrente elétrica de fácil acesso.
- Não enrolre o cabo de alimentação à volta do transformador de corrente. O fio do núcleo poderá quebrar e/ou provocar uma avaria no recetor multimédia.



- Não toque no transformador de corrente com as mãos molhadas.
- Se notar alguma anomalia no transformador de corrente, desligue-o imediatamente da tomada de corrente elétrica.
- Enquanto estiver ligado à tomada de corrente elétrica, o aparelho não está desligado da fonte de alimentação, mesmo que o próprio aparelho tenha sido desligado.
- Uma vez que o transformador de corrente fica quente quando é utilizado durante um longo período de tempo, poderá sentir a superfície quente ao tocar com a mão.

Utilização proibida

Não instale/utilize o televisor em locais, ambientes ou situações como os listados abaixo, ou, caso contrário, o televisor pode funcionar mal e provocar um incêndio, choque elétrico, avaria e/ou feridas.

Localizações:

- Ao ar livre (sob a luz solar direta), perto do mar, num navio ou outra embarcação, dentro de um veículo, em instituições médicas, locais instáveis, perto de água, chuva, humidade ou fumo.

Ambientes:

- Locais quentes, húmidos ou com muito pó; onde possam entrar insetos; onde possa estar sujeito a vibrações mecânicas, perto de objetos de fogo (velas, etc.). O televisor não deve ser exposto à água ou salpicos e não devem ser colocados quaisquer objetos que contenham líquidos, como por exemplo vasos, em cima do televisor.

Situações:

- Utilize o televisor quando tiver as mãos molhadas, com a tampa retirada, ou com acessórios não recomendados pelo fabricante. Desligue o televisor da tomada de corrente e da antena durante as trovoadas.

- Instalar o televisor de modo a ficar saliente para um espaço aberto. Poderão ocorrer ferimentos ou danos provocados pelo facto de uma pessoa ou objeto bater no televisor.



- Colocar o televisor num local húmido ou poeirento ou numa divisão onde existam vapores ou fumos oleosos (perto de fogões ou humidificadores). Poderá ocorrer incêndio, choque elétrico ou deformação.
- Instalar o televisor em locais sujeitos a temperaturas extremas, como locais expostos à luz solar direta ou perto de aquecedores ou saídas de ar quente. O televisor poderá sobreaquecer nessa situação, o que pode causar a deformação da caixa e/ou uma avaria do televisor.



- Se o televisor for colocado no balneário de uma piscina pública ou estância termal, o televisor poderá ficar danificado pelo enxofre presente no ar, etc.



- Para uma melhor qualidade de imagem, não exponha o ecrã a iluminação ou luz solar direta.
- Evite deslocar o televisor de um local frio para um local quente. As variações de temperatura do local podem provocar a condensação da humidade. Isto pode fazer como que o televisor apresente uma imagem de fraca qualidade e/ou fraca cor. Se isto acontecer, deixe que a humidade se evapore completamente antes de ligar o televisor.

Peças danificadas:

- Não lance nada contra o televisor. O vidro do ecrã pode partir-se devido ao impacto e provocar ferimentos graves.
- Se a superfície do televisor rachar, não toque nela até ter desligado o cabo de alimentação. Além do mais, isso pode causar um choque elétrico.

Quando não estiver a ser utilizado

- Se não vai utilizar o televisor durante vários dias, deve desligá-lo da alimentação por razões ambientais e de segurança.
- Como o televisor não está desligado da alimentação quando está apenas em estado de desligado, retire a ficha da tomada para desligar o televisor completamente.
- Alguns televisores possuem funções que precisam que o televisor fique no modo de espera (standby) para funcionarem corretamente.

Para as crianças

- Não deixe as crianças subir para o televisor.
- Mantenha os acessórios fora do alcance das crianças, para que não possam ser engolidos por engano.

Se ocorrerem os seguintes problemas...

Desligue o televisor e retire a ficha da tomada imediatamente se algum dos seguintes problemas ocorrer.

Dirija-se a um agente ou centro de assistência Sony para enviar o televisor a um técnico de assistência qualificado para verificação.

Quando:

- O cabo de alimentação estiver danificado.
- A tomada de corrente não estiver bem presa à parede.
- O televisor estiver danificado por ter caído, ter sofrido uma pancada ou ter sido lançada alguma coisa contra ele.
- Se algum líquido ou objeto sólido penetrar nos orifícios da caixa.

Acerca da Temperatura do televisor LCD

Quando o televisor LCD é utilizado durante um período de tempo prolongado, a área em volta do painel aquece. Poderá sentir a superfície quente ao tocar com a mão.

Precauções

Ver televisão

- Veja televisão com uma luz ambiente adequada, pois uma luz fraca ou ver televisão durante um longo período de tempo prejudica a vista.
- Se utilizar auscultadores, não regule o volume para um nível demasiado alto, para evitar lesões auditivas.

Ecrã LCD

- Embora o ecrã LCD seja fabricado com uma tecnologia de alta precisão e 99,99 % ou mais dos pixels sejam efetivos, podem aparecer sistematicamente pontos pretos ou pontos brilhantes de luz (vermelha, azul ou verde). Não se trata de uma avaria, mas sim de uma característica da estrutura do LCD.
- Não carregue nem risque o filtro frontal, nem coloque objetos em cima do televisor. Pode danificar o ecrã LCD ou a imagem ficar irregular.
- Se utilizar o televisor num local frio, as imagens podem ficar escuras ou com manchas. Não se trata de uma avaria. Este fenómeno desaparece logo que subir a temperatura.
- Se visualizar imagens fixas continuamente, pode produzir-se uma imagem fantasma. Essa imagem desaparece pouco depois.
- Durante a utilização do televisor, o ecrã e a caixa aquecem. Isso não é sinónimo de avaria.
- O ecrã LCD contém uma pequena quantidade de cristais líquidos. Para se desfazer deles, cumpra as regulamentações e imposições locais.

Utilizar e limpar o ecrã/a caixa do televisor

Desligue o cabo de alimentação que liga o televisor à tomada de corrente elétrica antes de limpar.

Para evitar a degradação do material ou a degradação do revestimento do ecrã, respeite as seguintes precauções.

- Limpe o pó do ecrã/da caixa com cuidado com um pano de limpeza macio. Se não conseguir limpar bem o pó, humedeça ligeiramente um pano macio numa solução de detergente suave.
- Nunca pulverize água ou detergente diretamente sobre o televisor. Pode pingar para a base do ecrã ou para as peças exteriores e infiltrar-se no televisor, podendo causar danos no mesmo.
- Não utilize esfregões abrasivos, líquidos de limpeza alcalinos/ácidos, pós de limpeza ou solventes voláteis, como álcool, benzina, diluente ou inseticida. Se utilizar este tipo de materiais ou mantiver um contacto prolongado com materiais de borracha ou vinil danifica a superfície do ecrã e o material da caixa.
- Não toque no televisor se as suas mãos estiverem cobertas com alguma substância química, como creme de mãos ou protetor solar.
- É recomendado passar periodicamente o aspirador pelos orifícios de ventilação para assegurar uma ventilação adequada.
- Quando ajustar o ângulo do televisor, mova-o lentamente de forma a impedir que o televisor se desloque ou se separe da base.

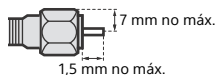


Equipamento opcional

- Coloque os componentes opcionais ou qualquer equipamento que emita radiação eletromagnética longe do televisor. Caso contrário, pode aparecer distorção da imagem e/ou som com ruído.
- Este equipamento foi testado e verificou-se que cumpre os limites estabelecidos pela Diretiva EMC, utilizando um cabo de sinal de ligação com menos de 3 metros.
- Este equipamento foi testado e verificou-se que cumpre os limites estabelecidos pela Diretiva EMC, utilizando um cabo de RF com menos de 30 metros para o terminal terrestre/satélite/CATV.

Recomendação da ficha do tipo F

A projeção do cabo interno a partir da parte de ligação deve ser inferior a 1,5 mm.



(Desenho de referência da ficha do tipo F)

Função Sem Fios da unidade

- Não utilize esta unidade na proximidade de equipamentos médicos (pacemakers, etc.), pois pode provocar uma avaria nesses equipamentos.
- Embora esta unidade transmita/receba sinais codificados, esteja atento à possibilidade de interceção não autorizada. Não nos responsabilizamos por problemas resultantes desse facto.
- Este equipamento deve ser instalado e colocado em funcionamento, mantendo uma separação de segurança de 20 cm ou mais entre a antena deste dispositivo e o corpo da pessoa.

Cuidados ao manusear o telecomando

- Respeite a polaridade correta quando colocar as pilhas.
- Não use tipos de pilhas diferentes, nem misture pilhas novas com pilhas usadas.
- Deite as pilhas fora respeitando as leis de proteção ambiental. Algumas regiões podem ter regulamentações acerca da eliminação de pilhas. Aconselhe-se junto das autoridades locais.
- Utilize o telecomando com cuidado. Não entorne líquidos sobre o telecomando nem o pise ou deixe cair.
- Não coloque o telecomando num local perto de uma fonte de calor, num local exposto à luz solar direta ou numa sala húmida.

Eliminação do televisor



Tratamento de Equipamentos Elétricos e Eletrónicos no final da sua vida útil (Aplicável na União Europeia e em países Europeus com sistemas de recolha seletiva de resíduos)

Este símbolo, colocado no produto ou na sua embalagem, indica que este não deve ser tratado como resíduo urbano indiferenciado. Deve sim ser colocado num ponto de recolha destinado a resíduos de equipamentos elétricos e eletrónicos. Assegurando-se que este produto é corretamente depositado, irá prevenir potenciais consequências negativas para o ambiente bem como para a saúde, que de outra forma poderiam ocorrer pelo mau manuseamento destes produtos. A reciclagem dos materiais contribuirá para a conservação dos recursos naturais. Para obter informação mais detalhada sobre a reciclagem deste produto, por favor contacte o município onde reside, os serviços de recolha de resíduos da sua área ou a loja onde adquiriu o produto.

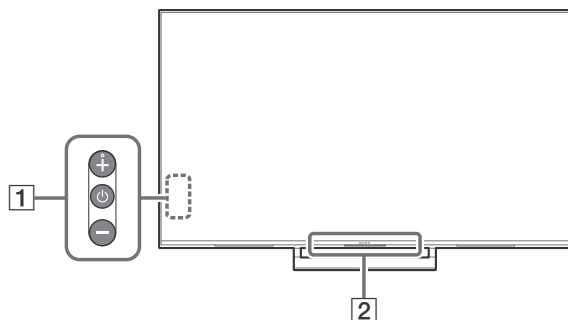


Tratamento de pilhas no final da sua vida útil (Aplicável na União Europeia e em países Europeus com sistemas de recolha seletiva de resíduos)

Este símbolo, colocado na pilha ou na sua embalagem, indica que estes produtos não devem ser tratados como resíduos urbanos indiferenciados. Em determinadas pilhas este símbolo pode ser usado em combinação com um símbolo químico. Os símbolos químicos para o mercúrio (Hg) ou chumbo (Pb) são adicionados se a pilha contiver mais de 0,0005 % em mercúrio ou 0,004 % em chumbo. Devem antes ser colocados num ponto de recolha destinado a resíduos de pilhas e acumuladores. Assegurando-se que estas pilhas são corretamente depositadas, irá prevenir potenciais consequências negativas para o ambiente bem como para a saúde, que de outra forma poderiam ocorrer pelo mau manuseamento destas pilhas. A reciclagem dos materiais contribuirá para a conservação dos recursos naturais. Se, por motivos de segurança, desempenho ou proteção de dados, os produtos necessitarem de uma ligação permanente a uma pilha integrada, esta só deve ser substituída por profissionais qualificados. Acabado o período de vida útil do aparelho, coloque-o no ponto de recolha de produtos elétricos/eletrónicos de forma a garantir o tratamento adequado da bateria integrada. Para as restantes pilhas, por favor, consulte as instruções do equipamento sobre a remoção da mesma. Deposite a bateria num ponto de recolha destinado a resíduos de pilhas e baterias. Para informações mais detalhadas sobre a reciclagem deste produto, por favor contacte o município onde reside, os serviços de recolha de resíduos da sua área ou a loja onde adquiriu o produto.

Peças e Controlos

Controlos e Indicadores



- 1** (Alimentação) /+/-
Quando o televisor estiver desligado,
Carregue para ligar.
Quando o televisor estiver ligado,
Mantenha carregado para desligar.
Carregue em repetidamente para alterar a função e, em seguida, carregue no botão + ou - para:
- Ajustar o volume.
 - Seleccionar o canal.
 - Seleccionar a fonte de entrada do televisor.

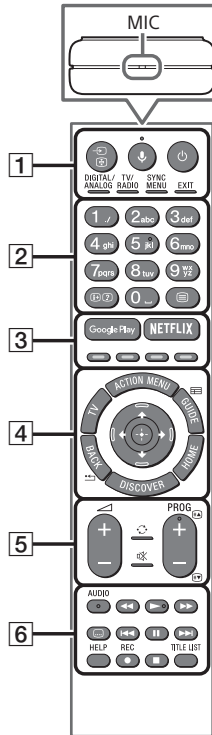
- 2** **Sensor do telecomando* / Sensor de luz* / Iluminação LED**
A Iluminação LED acende ou pisca de acordo com o estado do televisor.
Para mais informações, consulte o Guia de ajuda.

* Não colocar nada perto do sensor.

Utilizar o Telecomando

Descrição das Partes do Telecomando

A forma, localização, disponibilidade e função do botão do telecomando pode variar, dependendo do região/país/modelo de televisor.



- 1** / (**Seleção de entrada/Fixar teletexto**)
No modo de televisão: Apresenta e seleciona a fonte de entrada.
No modo de Teletexto: Fixar a página atual.

(**Microfone**)

Utilize a função de voz. (p. ex., procure vários conteúdos por voz.)

(**Televisor em modo de espera**)

Ligar ou desligar o televisor (modo de espera).

DIGITAL/ANALOG

Alternar entre o modo digital e analógico.

TV/RADIO

Alternar entre emissões de TV ou RADIO.

SYNC MENU

Apresentar o menu BRAVIA Sync.

EXIT

Regressar ao ecrã anterior ou sair do menu. Quando está disponível um serviço de Aplicação Interativa, carregue para sair do serviço.

- 2** **Botões numéricos**

/ (**Revelação de Informação/Teletexto**)

Apresentar informações.

(Teletexto)

Apresentar informações de teletexto.

3 **Google Play**

Aceder ao serviço online "Google Play".

NETFLIX (Apenas em determinadas regiões/países/modelos de televisor)

Aceder ao serviço online "NETFLIX".

Botões coloridos

Executar funções correspondentes nesse momento.

4 **ACTION MENU**

Apresentar uma lista de funções contextuais.

TV

- Mudar para um canal de televisão ou para a emissão de outras aplicações.
- Ligue o televisor para exibir o canal de TV ou entrada.

GUIDE/

Apresentar o guia de programas digital.

BACK/

Voltar ao ecrã anterior.

HOME

Mostrar o Menu Inicial do televisor.

DISCOVER

Aceder à Barra de Conteúdos para pesquisar conteúdos.

▲/▼/↔/⊕ (Introduzir/Selecionar item)

5 **▲ +/- (Volume)**

Ajustar o volume.

↻ (Saltar)

Saltar para a frente e para trás entre dois canais ou entradas. O televisor alterna entre o canal ou entrada atual e o último canal ou entrada selecionada.

🔇 (Sem som)

Cortar o som. Carregar novamente para restaurar o som.

PROG +/-/⏪/⏩

No modo de televisão: Selecionar o canal.
No modo de Teletexto: Selecionar a página seguinte (⏪) ou anterior (⏩).

6 **AUDIO**

Mudar o idioma do programa que está a ser visualizado nesse momento.



Agir sobre conteúdos multimédia no televisor e no dispositivo compatível com BRAVIA Sync que esteja ligado.

⋮ (Configurar legendas)

Ligar ou desligar as legendas (quando a funcionalidade está disponível).

HELP

Apresentar menu de Ajuda. O Guia de Ajuda pode ser consultado a partir daqui.

● REC

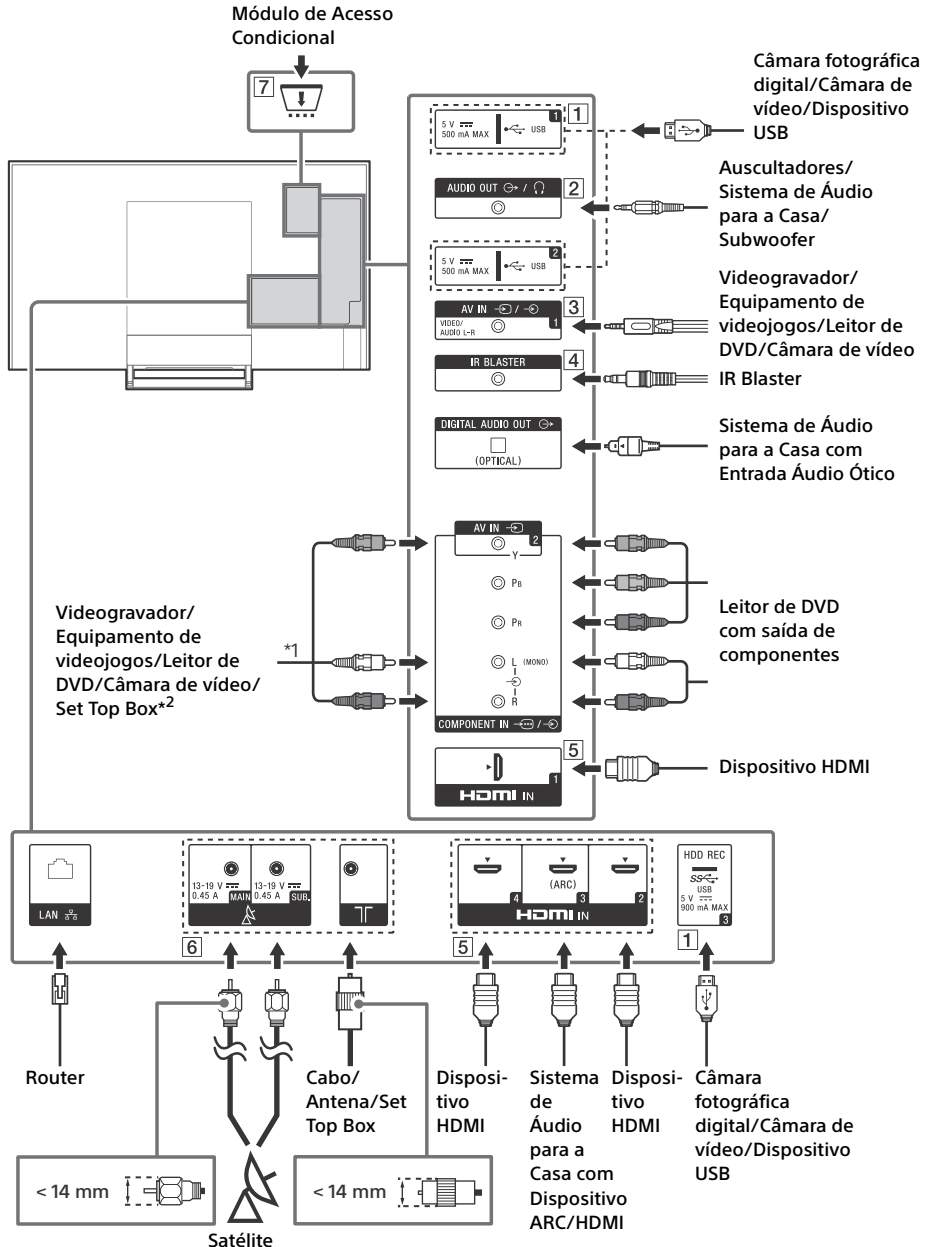
Gravar o programa atual com a função de gravação USB HDD.

TITLE LIST

Apresentar a lista de títulos.

Diagrama de Ligações

Para mais informações sobre ligações, consulte o Guia de ajuda carregando em **HELP** no telecomando.



PT

1 **USB 1/2**, **SSD**, **USB 3 (HDD REC)*3**

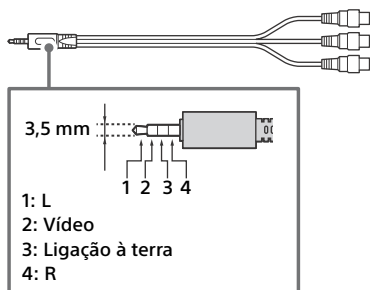
- Ligar um grande dispositivo USB pode interferir com outros dispositivos ligados junto do mesmo.
- Ao ligar um grande dispositivo USB, ligue à tomada USB 1.

2 **AUDIO OUT**

- Compatível apenas com cabo Mini-tomada estéreo de 3-pólos.
- Para ouvir o som do televisor através do equipamento ligado, carregue em **HOME**. Selecione [Definições] → [Som] → [Saída de Áudio/Auscultador] e em seguida seleccione o item pretendido.

3 **AV IN 1**

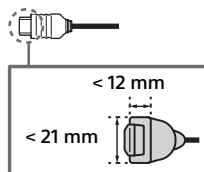
- Para uma ligação composta, utilize um cabo de extensão analógica (não fornecido).



4 **IR BLASTER*3**

5 **HDMI IN 1/2/3/4**

- Se ligar um sistema de áudio digital que seja compatível com tecnologia Audio Return Channel (ARC), utilize a HDMI IN 3. Caso contrário, é necessária uma ligação adicional com DIGITAL AUDIO OUT (OPTICAL).



6 **(Entrada satélite)**, **(Entrada RF)**

- Ligações para antena terrestre/cabo e satélite. Passos da ligação: SUB. → Antena → MAIN
- Para tomada SUB., ligue apenas quando estiver a usar o modo de sintonizador duplo para o Cabo de Distribuição Único EN50494.

7 **CAM (Módulo de Acesso Condicional)**

- Permite o acesso a serviços de televisão pagos. Para mais informações, consulte o manual de instruções fornecido com o CAM.
- Não introduza o smart card diretamente na ranhura CAM do televisor. Tem de ser introduzido no Módulo de Acesso Condicional fornecido pelo seu agente autorizado.
- O CAM não é suportado em todos os países/regiões. Verifique com o seu agente autorizado.
- Pode aparecer uma mensagem do CAM quando muda para um programa digital depois de utilizar vídeo Internet.

*1 Ao ligar equipamento mono, ligue à tomada de áudio L (MONO).

*2 Para um dispositivo externo que só tenha SCART AV OUT, utilize um adaptador SCART-RCA.

*3 Apenas em determinadas regiões/países/modelos de televisor.

Instalar o televisor na parede

Utilizar o suporte de parede opcional

Este manual de instruções do televisor mostra apenas os passos de preparação do televisor, antes de o instalar na parede.

Para os clientes:

Para proteção do produto e por razões de segurança, a Sony recomenda vivamente que a instalação do seu televisor seja efetuada por agentes Sony ou contratantes licenciados. Não tente instalá-lo por si próprio.

Para os agentes e contratantes da Sony:

Preste total atenção às medidas de segurança durante a instalação, manutenção periódica e análise deste produto.

Este produto tem de ser instalado por um instalador profissional que tenha a formação adequada para determinar se a parede tem resistência suficiente para suportar o peso do Televisor. Se o Televisor não for fixado corretamente durante a instalação, poderá cair e causar ferimentos graves. A Sony não poderá ser responsabilizada por quaisquer danos ou ferimentos causados por manuseamento incorreto ou instalação imprópria, nem pela instalação de um produto diferente do especificado. Os direitos legais (se existirem) do utilizador não são afetados.

PT

Utilize o suporte de montagem em parede SU-WL845 (não fornecido) (apenas KD-75XE94xx, KD-65XE93xx), SU-WL840 (não fornecido) (apenas KD-55XE93xx) ou SU-WL450 (não fornecido) (apenas KD-65/55XE93xx) para instalar o televisor na parede.

Ao instalar o suporte de parede, consulte também as instruções de funcionamento e o guia de instalação fornecidos com o suporte de parede.

Nota

- Certifique-se de que guarda os parafusos retirados num local seguro, mantendo-os afastados de crianças.
- Certifique-se de que a parede tem espaço suficiente para o Televisor e que consegue suportar, pelo menos, seis vezes o peso do Televisor.

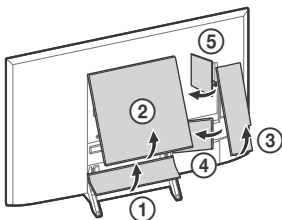


Para obter instruções sobre a instalação do suporte de parede do seu modelo de televisor, consulte o website seguinte:

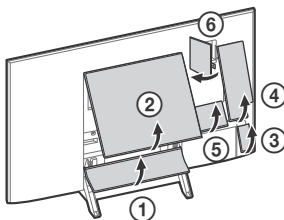
www.sony.eu/tv/wall-mount-bracket-manual

Retire a cobertura da base e as coberturas do terminal.

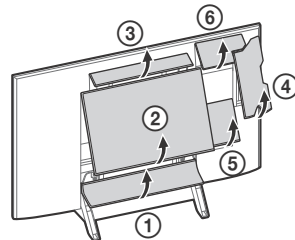
KD-75XE94xx



KD-65XE93xx



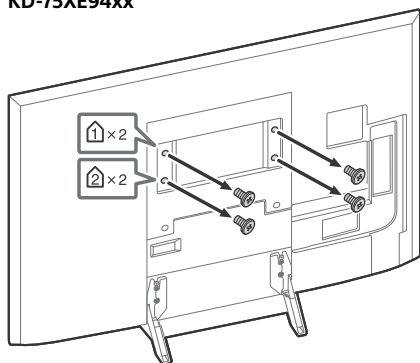
KD-55XE93xx



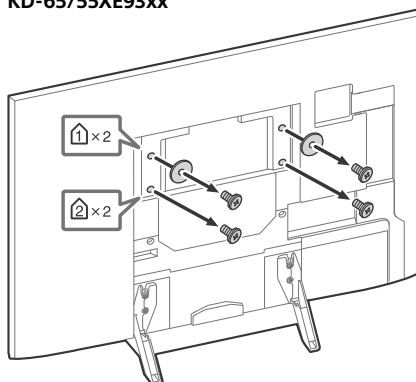
SU-WL845 (KD-75XE94xx, KD-65XE93xx), SU-WL840 (KD-55XE93xx)

Retire os parafusos da parte de trás do televisor.

KD-75XE94xx

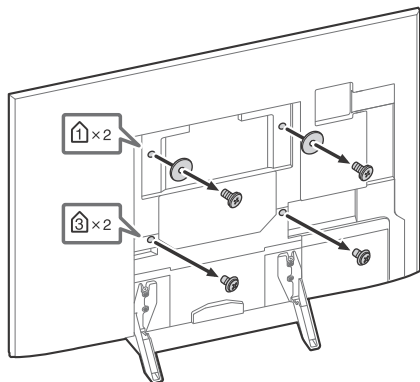


KD-65/55XE93xx

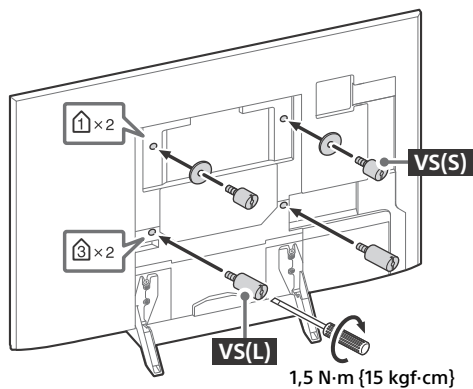


SU-WL450 (Apenas KD-65/55XE93xx)

1 Retire os parafusos da parte de trás do televisor.



- 2 Instale a fixação de parede (fornecida com o televisor) à parte de trás do televisor (para ficar paralelo à parede).



Nota

- Se utilizar uma chave de fendas elétrica, fixe o torque para aproximadamente 1,5 N·m {15 kgf·cm}.
- Certifique-se que aperta a Fixação de Parede quando os fixar ao televisor.
Utilize apenas uma chave de fendas de ponta chata para instalar a Fixação de Parede. A utilização de outra ferramenta pode resultar num excesso de torque da Fixação de Parede e danificar o televisor.

Apenas KD-75XE94xx, KD-55XE93xx

O televisor pode ser montado num Suporte de parede (não fornecido) fora da caixa, conforme embalado.

Prepare o televisor para o Suporte de parede antes de efetuar as ligações com o cabo.

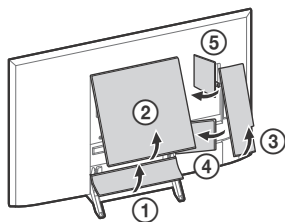
Este produto tem de ser instalado por um instalador profissional que tenha a formação adequada para determinar se a parede tem resistência suficiente para suportar o peso do Televisor. Se o Televisor não for fixado corretamente durante a instalação, poderá cair e causar ferimentos graves. A Sony não poderá ser responsabilizada por quaisquer danos ou ferimentos causados por manuseamento incorreto ou instalação imprópria, nem pela instalação de um produto diferente do especificado. Os direitos legais (se existirem) do utilizador não são afetados.

Para proteção do produto e por razões de segurança, a Sony recomenda vivamente que a instalação do televisor na parede seja realizada por profissionais qualificados. Não tente instalá-lo por si próprio.

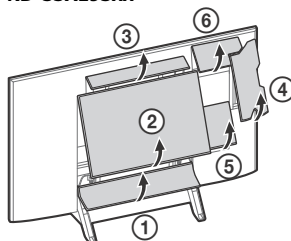
- Siga as instruções fornecidas com o Suporte de parede para o seu modelo.
- Certifique-se de que armazena os parafusos não utilizados e o Suporte de fixação para mesas num local seguro até estar pronto para prender o Suporte de fixação para mesas. Mantenha os parafusos fora do alcance de crianças pequenas.
- Certifique-se de que a parede tem espaço suficiente para o Televisor e que consegue suportar, pelo menos, seis vezes o peso do Televisor.

1 Retire a cobertura da base e as coberturas do terminal.

KD-75XE94xx

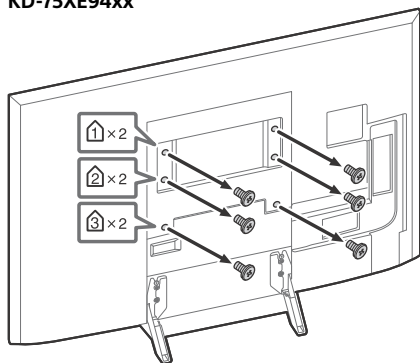


KD-55XE93xx

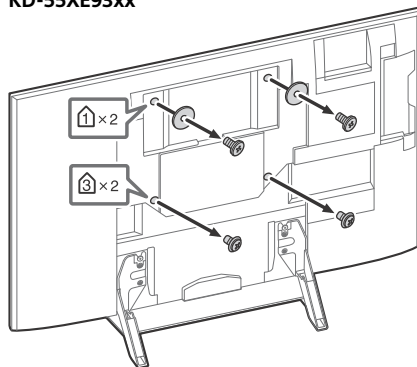


2 Retire os parafusos da parte de trás do televisor.

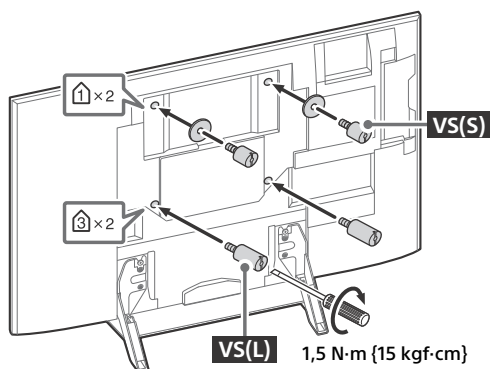
KD-75XE94xx



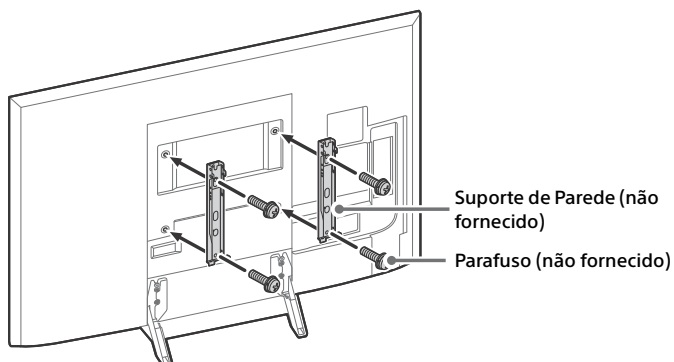
KD-55XE93xx



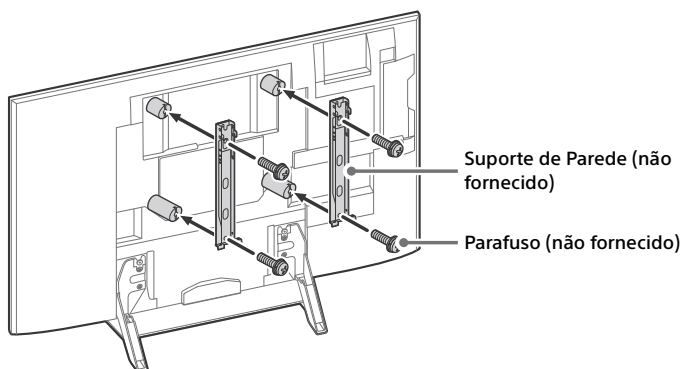
- 3** Instale a fixação de parede (fornecida com o televisor) à parte de trás do televisor (para ficar paralelo à parede). (Apenas KD-55XE93xx)



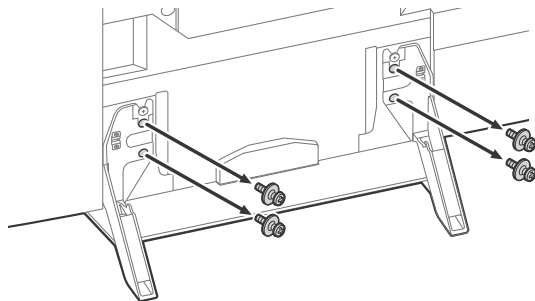
- 4** Instalar o Suporte de Parede (não fornecido) utilizando os parafusos (não fornecidos).
KD-75XE94xx



KD-55XE93xx



5 Separar o suporte de fixação para mesas do televisor.



Nota

- Se utilizar uma chave de fendas elétrica, fixe o torque para aproximadamente 1,5 N·m (15 kgf·cm).
- Certifique-se que aperta a Fixação de Parede quando os fixar ao televisor.
Utilize apenas uma chave de fendas de ponta chata para instalar a Fixação de Parede. A utilização de outra ferramenta pode resultar num excesso de torque da Fixação de Parede e danificar o televisor.
- Não pode usar os apoios de cabo na parte traseira do TV quando utiliza um Suporte de Parede (não fornecido).

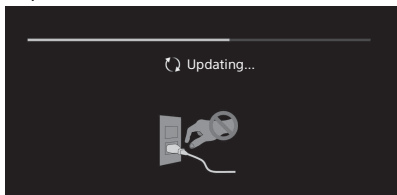
Resolução de problemas

Resolução de problemas geral de questões como: ecrã preto, sem som, imagem bloqueada, o televisor não responde ou se perdeu a rede, realize os passos seguintes.

- 1 Reinicie o seu televisor carregando no botão de alimentação no telecomando até que surja uma mensagem. O televisor vai reinicia. Se o televisor não recuperar, tente desligar o televisor do cabo de alimentação durante dois minutos e, em seguida, ligue-o novamente.
- 2 Consulte o menu Ajuda carregando em **HELP** no telecomando.
- 3 Ligue o televisor à Internet e realize uma atualização de software.
- 4 Visite o website de apoio da Sony (informações indicadas na contracapa).

Quando surge a mensagem [Está disponível uma nova atualização de software do sistema de TV...].

A Sony recomenda vivamente que atualize o software do televisor selecionando [At Agora]. Estas atualizações de software melhoram o desempenho do seu televisor ou adicionam novas funcionalidades. O ecrã seguinte com [Updating...] (A atualizar...) surge e o LED de iluminação pisca a branco enquanto o software está a ser atualizado.



Não desligue o cabo de alimentação CA durante a atualização de software. Se o fizer, a atualização de software poderá não terminar completamente e poderá provocar uma avaria do software. As atualizações de software podem demorar até 15 minutos.

Quando liga o televisor, o televisor pode demorar algum tempo a ligar mesmo que carregue no botão de alimentação no telecomando ou no televisor.

Demora algum tempo para inicializar o sistema. Aguarde cerca de um minuto e, em seguida, volte a operar.

Problemas e soluções

Quando o LED de iluminação estiver a piscar a vermelho.

- Anote o número de vezes que pisca (o tempo de intervalo é de três segundos). Reinicie o televisor desligando o cabo de alimentação durante dois minutos, e em seguida, ligue o televisor. Se o problema persistir, desligue o cabo de alimentação e contacte o seu agente ou centro de assistência Sony e indique o número de vezes que o LED de Iluminação pisca.

Não se recebe o serviço terrestre/cabo.

- Verifique a ligação da antena/cabo e definições do amplificador.
- Selecione o serviço terrestre/cabo carregando em **DIGITAL/ANALOG** no telecomando. Se o serviço de transmissão não for apresentado, carregue em **TV** e em seguida carregue em **DIGITAL/ANALOG**.
- O sinal terrestre pode ser suprimido se existir um sinal forte disponibilizado nas proximidades. Defina [LNA (Canal ---)] para [Desativar] nas definições da sintonia digital.
- Depois de se mudar para uma casa nova ou tentar receber novos serviços, tente uma pesquisa de serviço selecionando [Sintonia Digital].

Não se recebe o serviço satélite.

- Verifique a ligação do cabo de satélite.
- Quando é apresentada a mensagem [Nenhum sinal. Overload do LNB...], desligue o cabo de alimentação. Em seguida, certifique-se de que o cabo de satélite não está danificado e que a linha do sinal de satélite não está em curto-circuito no conector de satélite.

O telecomando não funciona.

- Substitua as pilhas.

Esqueceu a palavra-passe do bloqueio parental de transmissão.

- Introduza 9999 para o código PIN e selecione [Altere o código PIN].

A área na proximidade do televisor aquece.

- Quando o televisor é utilizado durante um período de tempo prolongado, a área na proximidade do televisor aquece. Poderá sentir a superfície quente ao tocar com a mão.

Características técnicas

Sistema

Sistema do ecrã

Ecrã LCD (Visor de Cristal Líquido),
Retroiluminação LED

Sistema de televisão

Dependendo do país/área/modelos de televisor

Analógico: B/G, D/K, I

Digital: DVB-T/DVB-C

DVB-T2*

Satélite*: DVB-S/DVB-S2

Sistema de Cor

PAL, SECAM, NTSC3.58 (apenas vídeo), NTSC4.43
(apenas vídeo)

Cobertura de canais

Dependendo do país/área/modelos de televisor

Analógico: UHF/VHF/Cabo

Digital: UHF/VHF/Cabo

Satélite*: Frequência IF 950-2.150 MHz

Saída de som

KD-75XE94xx, KD-65XE93xx: 10 W + 10 W + 10 W +
10 W + 10 W + 10 W

KD-55XE93xx: 5 W + 5 W + 10 W + 10 W + 10 W +
10 W

Tecnologia sem fios

Protocolo IEEE802.11ac/a/b/g/n

(IEEE802.11ac pode não estar disponível
dependendo da sua região/país.)

Bluetooth Versão 4.1

Banda de frequência(s): WLAN 2,4 GHz/5 GHz,

Bluetooth 2,4 GHz

Potência do transmissor de radiofrequência:

100 mW MAX

Versão do software da TV:

PKG_..._...EUA

Carregue em **HELP** no telecomando para saber
qual a versão do software.

* Nem todos os televisores têm tecnologia DVB-T2 ou
DVB-S/S2 ou terminal de antena satélite.

Tomadas de Entrada/Saída

Antena (aérea)/cabo

Terminal externo de 75 ohm para VHF/UHF

Antena do satélite

Conector de tipo F fêmea, 75 ohm.

DiSEqC 1.0, LNB 13 V/18 V & tom 22 kHz,

Distribuição por um Cabo EN50494.

 AV IN 1

Entrada de vídeo/áudio (Mini-tomada)

COMPONENT IN

YPbPr (Vídeo componente): 1080p (50, 60 Hz), 1080i (50, 60 Hz), 720p (50, 60 Hz), 576p, 576i, 480p, 480i

Entrada de áudio (tomadas RCA)

AV IN 2

Entrada de vídeo (tomada de pinos RCA normal com entrada Y)

HDMI IN 1, 2, 3, 4 (suporta resolução 4K, HDCP 2.2-compatível)

Vídeo:

4096 × 2160p (50, 60 Hz)^{*1*2}, 4096 × 2160p (24 Hz)^{*1}, 3840 × 2160p (50, 60 Hz)^{*2}, 3840 × 2160p (24, 25, 30 Hz), 1080p (30, 50, 60 Hz), 1080/24p, 1080i (50, 60 Hz), 720p (30, 50, 60 Hz), 720/24p, 576p, 576i, 480p, 480i, Formatos PC

*1 3840 × 2160p é apresentado quando é introduzido 4096 × 2160p.

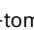
*2 Apenas HDMI IN 2 / 3.

Áudio: PCM linear do canal 5,1: 32, 44,1, 48, 88,2, 96, 176,4 e 192 kHz, 16, 20 e 24 bits, Dolby Digital, Dolby Digital Plus e DTS

ARC (Audio Return Channel) (apenas HDMI IN 3) (PCM linear de dois canais: 48 kHz, 16 bits, Dolby Digital, Dolby Digital Plus, DTS)


DIGITAL AUDIO OUT (OPTICAL)

Tomada digital ótica (PCM linear de dois canais: 48 kHz, 16 bits, Dolby Digital, DTS)

AUDIO OUT  (Mini-tomada estéreo)

Auscultadores, saída de áudio, subwoofer

1, 2, 3 (HDD REC)^{*1}

Porta do dispositivo USB ( 3 dispositivos HDD USB para funcionalidade REC)

As portas USB 1 e 2 suportam High Speed USB (USB2.0).

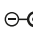
A porta USB 3 suporta Super Speed USB (USB3.0).



Ranhura CAM (Módulo de Acesso Condicional)

LAN

Conector 10BASE-T/100BASE-TX (Dependendo do ambiente de operação da rede, a velocidade de ligação pode variar. A taxa de comunicação e qualidade de comunicação do modelo 10BASE-T/100BASE-TX não são garantidas no caso deste televisor.)

 DC IN 24 V (apenas para modelos com adaptador de corrente fornecido)

Entrada de adaptador de corrente

IR BLASTER^{*1}

Entrada de cabo IR Blaster (Mini-tomada)

Outros

Acessórios opcionais

Suporte de parede: SU-WL845 (Apenas KD-75XE94xx, KD-65XE93xx)

Suporte de parede: SU-WL840 (Apenas KD-55XE93xx)

Suporte de parede: SU-WL450 (Apenas KD-65/55XE93xx)

Temperatura de funcionamento

0 °C – 40 °C

Humidade de funcionamento

10 % – 80 % HR (não condensada)

Alimentação, Ficha de Produto e outros

Requisitos de alimentação

exceto modelo com adaptador de corrente fornecido

220 V - 240 V CA, 50 Hz

apenas modelos com adaptador de corrente fornecido

24 V DC com adaptador de corrente

Capacidade nominal: Entrada 220 V - 240 V CA, 50 Hz

Classe de eficiência energética

KD-75XE94xx: B

KD-65XE93xx: A

KD-55XE93xx: B

Dimensões do ecrã (medido diagonalmente) (Aprox.)

KD-75XE94xx: 189,3 cm / 75 polegadas

KD-65XE93xx: 163,9 cm / 65 polegadas

KD-55XE93xx: 138,8 cm / 55 polegadas

Consumo de energia

no modo [Standard]

KD-75XE94xx: 298 W

KD-65XE93xx: 164 W

KD-55XE93xx: 137 W

no modo [Vívido]

KD-75XE9405: 495 W

KD-65XE9305: 294 W

KD-55XE9305: 227 W

Consumo de energia anual médio^{*2}

KD-75XE94xx: 413 kWh

KD-65XE93xx: 227 kWh

KD-55XE93xx: 190 kWh

Consumo de energia no modo de espera^{*3*4}

0,50 W (27 W no modo de atualização do EPG/software)

Resolução do ecrã

3.840 pontos (horizontal) × 2.160 linhas (vertical)

Potência nominal

USB 1/2: 5 V, , 500 mA MÁX

USB 3: 5 V, , 900 mA MÁX

Dimensões (Aprox.) (larg. × alt. × prof.)

com suporte de fixação para mesas

KD-75XE94xx: 167,3 × 103,7 × 32,5 cm

KD-65XE93xx: 145,1 × 91,3 × 29,5 cm

KD-55XE93xx: 123,2 × 79,0 × 28,2 cm

sem suporte de fixação para mesas

KD-75XE94xx: 167,3 × 96,2 × 6,2 cm

KD-65XE93xx: 145,1 × 83,8 × 3,9 cm

KD-55XE93xx: 123,2 × 71,5 × 4,0 cm

Peso (Aprox.)

com suporte de fixação para mesas

KD-75XE94xx: 47,6 kg

KD-65XE93xx: 42,4 kg

KD-55XE93xx: 32,6 kg

sem suporte de fixação para mesas

KD-75XE94xx: 42,8 kg

KD-65XE93xx: 38,2 kg

KD-55XE93xx: 28,6 kg

*1 Apenas em determinadas regiões/países/modelos de televisor.

*2 Consumo de energia por ano, com base no consumo de energia verificado com o televisor a funcionar 4 horas por dia durante 365 dias. O consumo de energia real irá depender da forma como o televisor é utilizado.

*3 A energia em modo de espera (standby) especificada é atingida depois de o televisor concluir os processos internos necessários.

*4 O consumo de energia em modo de espera (standby) irá aumentar quando o televisor estiver ligado à rede.

Nota


- Não retire a cobertura da ranhura TV CAM do televisor (Módulo de Acesso Condicional) exceto para inserir um cartão colocado no CAM.
- A disponibilidade dos acessórios opcionais depende dos países/região/modelo de televisor/stock.
- O design e as características técnicas estão sujeitos a alteração sem aviso prévio.

Aviso para a função de televisão digital

- A Televisão Digital (DVB terrestre, satélite e cabo), serviços interativos e funções de rede, podem não estar disponíveis em todos os países e áreas. Algumas funções podem não ser permitidas ou podem não funcionar corretamente com alguns fornecedores e ambientes de rede. Alguns fornecedores de serviço de Televisão podem cobrar uma taxa pelos seus serviços.
- Este televisor suporta transmissão digital utilizando codecs MPEG-2, H.264/MPEG-4 AVC e H.265/HEVC, mas a compatibilidade com todos os sinais do operador/serviço, que pode mudar com o tempo, não pode ser garantida.

Informação da marca registada

- Os termos HDMI e HDMI High-Definition Multimédia Interface e o logótipo HDMI são marcas comerciais ou marcas registradas da HDMI Licensing LLC nos Estados Unidos e noutros países.
- Fabricado sob licença da Dolby Laboratories. Dolby, Dolby Audio, e o símbolo double-D são marcas registadas da Dolby Laboratories.
- "BRAVIA" e BRAVIA são marcas comerciais da Sony Corporation.
- Gracenote, Gracenote eyeQ, Gracenote VideoID, Gracenote Vídeo Explore, o logótipo Gracenote e o logótipo "Powered by Gracenote" são marcas comerciais registadas ou marcas comerciais da Gracenote nos Estados Unidos e/ou noutros países.
- Opera® Devices SDK. Copyright 1995-2016 Opera TV AS. All rights reserved.
- Wi-Fi, Wi-Fi Direct, Miracast, Wi-Fi Protected Setup e o Logótipo Wi-Fi CERTIFIED são marcas comerciais ou marcas comerciais registadas da Wi-Fi Alliance.
- Para obter informações sobre patentes DTS, consulte <http://patents.dts.com>. Fabricado sob licença da DTS, Inc. DTS, o símbolo, & DTS e o símbolo em conjunto são marcas comerciais registadas e Digital Surround é uma marca comercial da DTS, Inc. © DTS, Inc. Todos os direitos reservados.
- O símbolo da palavra e os logótipos Bluetooth® são marcas comerciais registadas da Bluetooth SIG, Inc. e qualquer utilização desses símbolos por parte da Sony Corporation está sob licença. Outras marcas comerciais e nomes comerciais são propriedade dos respetivos proprietários.
- DiSEqC™ é uma marca comercial da EUTELSAT. Este televisor suporta DiSEqC 1.0. Este televisor não se destina ao controlo de antenas motorizadas.
- TUXERA é uma marca comercial registada da Tuxera Inc. nos EUA e outros países.

- O logótipo USB-IF SuperSpeed USB Trident é uma marca comercial registada da USB Implementers Forum, Inc. ®

Sommario

NOTA IMPORTANTE	2
Informazioni di sicurezza	3
Precauzioni	6
Parti e comandi	8
Comandi e indicatori	8
Uso del telecomando	9
Descrizione delle parti del telecomando ..	9
Schema di collegamento	11
Installazione del televisore a parete ...	13
Uso della staffa di montaggio a parete opzionale	13
SU-WL845 (KD-75XE94xx, KD-65XE93xx), SU-WL840 (KD-55XE93xx)	14
SU-WL450 (Solo KD-65/55XE93xx)	14
Solo KD-75XE94xx, KD-55XE93xx	16
Risoluzione dei problemi	19
Problemi e soluzioni	19
Caratteristiche tecniche	20

Connessione Internet e privacy dei dati

Questo prodotto si connette a Internet durante la configurazione iniziale non appena si collega una rete, al fine di verificare la connessione a Internet e, in seguito, per configurare la schermata Home. L'indirizzo IP viene utilizzato in questa e in tutte le altre connessioni a Internet. Se non si desidera utilizzare l'indirizzo IP, non configurare la funzione Internet wireless e non collegare un cavo Internet. Consultare le informazioni sulla privacy presentate nelle schermate di configurazione per ulteriori dettagli sulle connessioni a Internet.

Introduzione

Grazie per avere scelto questo prodotto Sony. Prima di mettere in funzione il televisore, si prega di leggere attentamente il presente manuale e di conservarlo per farvi riferimento in futuro.

Nota

- Prima di mettere in funzione il televisore, leggere le "Informazioni di sicurezza" (pagina 3).
- Le immagini e le illustrazioni utilizzate nella Guida all'installazione e nel presente manuale servono esclusivamente come riferimento e possono differire dal prodotto effettivo.
- La "xx" che compare nel nome del modello corrisponde a un codice numerico legato al design, al colore o al sistema TV.

Ubicazione della Guida all'installazione

La Guida all'installazione si trova sopra all'involucro di protezione all'interno dell'imballo del televisore.

Guida/Guida

La funzione Guida fornisce diverse informazioni sul TV. Per utilizzarla, premere **HELP** sul telecomando. È possibile trovare informazioni sul funzionamento e sulla risoluzione dei problemi dall'elenco oppure tramite la ricerca con parole chiave. Selezionare [Guida] nel menu per visualizzare il manuale. Se si collega il TV a Internet, la funzione di guida e le informazioni saranno aggiornate.

Ubicazione della targhetta di identificazione

Le etichette indicanti il modello, la data di produzione (anno/mese) e la tensione di alimentazione sono ubicate sul retro del televisore o sull'imballo. Si possono trovare rimuovendo il coperchio del supporto e il coperchio centrale.

Per i modelli con alimentatore esterno:

Le etichette relative all'alimentatore, al modello e al numero di serie si trovano sul lato inferiore.

AVVERTIMENTO

PER EVITARE IL
RISCHIO DI INCENDI,
TENERE QUESTO PRODOTTO
SEMPRE LONTANO DA
CANDELE O ALTRE FIAMME
LIBERE.



NOTA IMPORTANTE

Questo prodotto è stato fabbricato da o per conto di Sony Corporation, 1-7-1 Konan Minato-ku Tokyo, 108-0075 Giappone. Eventuali richieste in merito alla conformità del prodotto in ambito della legislazione Europea, dovranno essere indirizzate al rappresentante autorizzato, Sony Belgium, bijkantoor van Sony Europe Limited, Da Vincilaan 7-D1, 1935 Zaventem, Belgio. Per qualsiasi informazione relativa all'assistenza tecnica o alla garanzia, si prega di fare riferimento agli indirizzi riportati separatamente sui documenti relativi all'assistenza o sui certificati di garanzia.

Nota per le apparecchiature radio



Con la presente Sony Corporation dichiara che le apparecchiature radio KD-75XE9405, KD-65XE9305, KD-55XE9305 sono conformi ai requisiti essenziali e ad altre disposizioni applicabili della Direttiva 1999/5/CE. Per i dettagli, accedere al seguente URL: <http://www.compliance.sony.de/>
Questa apparecchiatura radio può essere utilizzata nell'UE senza violare i requisiti applicabili per l'uso dello spettro radio.

Avviso per i clienti: le seguenti informazioni si riferiscono esclusivamente ad apparecchi venduti in paesi che applicano le direttive UE.

Il sistema wireless del televisore può essere utilizzato nei seguenti paesi:

AT, BE, HR, CY, CZ, DK, EE, FI, FR, DE, EL, HU, IE, IT, LV, LT, LU, MT, NL, PL, PT, SK, SI, ES, SE, UK, IS, LI, NO, CH, BG, RO, TR, AL, BA, MK, MD, RS, ME, Kosovo

Questo dispositivo può essere utilizzato in altri paesi non europei.

Informazioni di sicurezza

ATTENZIONE

Le batterie non devono essere esposte a fonti di calore eccessivo, quali luce solare, fuoco o simili.

Non collocare il televisore in una posizione instabile. Il televisore potrebbe cadere, causando gravi lesioni personali o la morte.

Molte lesioni, in particolare ai bambini, possono essere evitate adottando semplici precauzioni, tra cui:

- Utilizzando mobili o supporti consigliati dal fabbricante del televisore.
- Utilizzando esclusivamente mobili in grado di sostenere con sicurezza il televisore.
- Assicurandosi che il televisore non fuoriesca dal bordo del mobile che lo sostiene.
- Non posizionando il televisore su mobili alti (ad esempio, armadi o librerie), senza ancorare il mobile e il televisore ad un solido supporto.
- Non posizionando il televisore su un pannello o altri materiali situati tra il televisore e il mobile che lo sostiene.
- Educando i bambini sui pericoli impliciti nel salire sui mobili per raggiungere i comandi del televisore.

Se il televisore sostituito viene riutilizzato e collocato in un altro posto, adottare gli stessi accorgimenti.

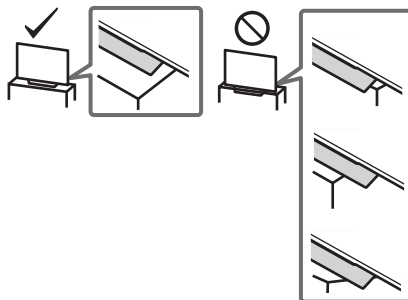
Installazione/Impostazione

Installare e utilizzare il televisore attenendosi alle istruzioni di seguito al fine di evitare il rischio di incendi, scosse elettriche o danni e/o lesioni.

Installazione

- Il televisore deve essere installato in prossimità di una presa di corrente facilmente accessibile.
- Posizionare il televisore su una superficie stabile e piana per evitare che possa cadere e causare lesioni personali o danni materiali.
- Installare il televisore in una posizione che non permetta di tirarlo, spingerlo o rovesciarlo.

- Installare il televisore in modo che il relativo supporto da tavolo non sporga dal supporto del televisore (non in dotazione). Se il supporto da tavolo sporge dal supporto del televisore, il televisore potrebbe rovesciarsi o cadere e causare danni alle persone o al televisore stesso.



- Per l'installazione a parete rivolgersi esclusivamente a personale qualificato.
- Per motivi di sicurezza, si consiglia caldamente di utilizzare esclusivamente accessori Sony, come ad esempio:
 - Staffa di montaggio a parete SU-WL845 (Solo KD-75XE94xx, KD-65XE93xx)
 - Staffa di montaggio a parete SU-WL840 (Solo KD-55XE93xx)
 - Staffa di montaggio a parete SU-WL450 (Solo KD-65/55XE93xx)

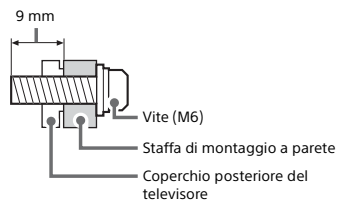
- Fissare la staffa di montaggio a parete al televisore utilizzando esclusivamente le viti fornite in dotazione. Le viti in dotazione sono come appaiono nell'illustrazione, misurate dalla superficie di fissaggio della staffa di montaggio a parete:

Il diametro e la lunghezza delle viti differiscono in base al modello di staffa per il montaggio a parete.

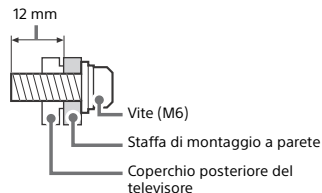
L'uso di viti diverse da quelle in dotazione può determinare danni interni al televisore o provocarne la caduta, ecc.

- Staffa di montaggio a parete opzionale (Solo SU-WL845, SU-WL840)

Lato superiore

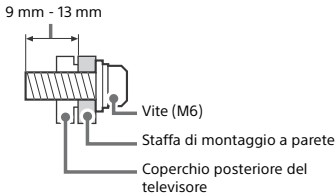


Lato inferiore

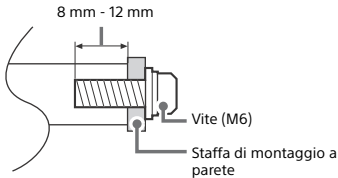


– Staffa di montaggio a parete opzionale (Tranne SU-WL845, SU-WL840)

KD-75XE94xx

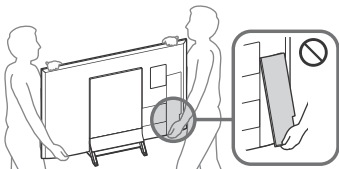
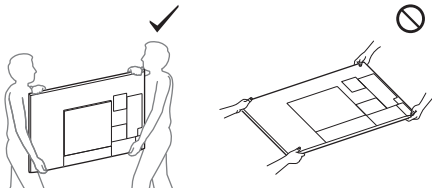


KD-65/55XE93xx

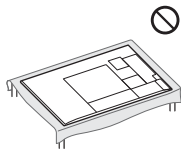


Trasporto

- Prima di trasportare il televisore, scollegare tutti i cavi.
- Per trasportare un televisore di grandi dimensioni sono necessarie due o tre persone.
- Quando si trasporta il televisore manualmente, sostenerlo come mostrato sotto. Non praticare pressione sul pannello LCD e sulla cornice intorno allo schermo.

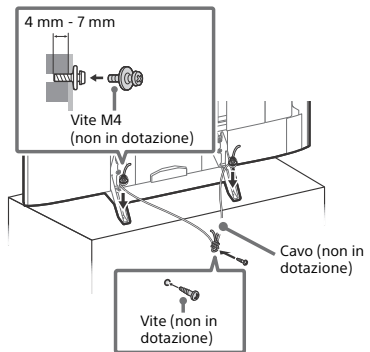
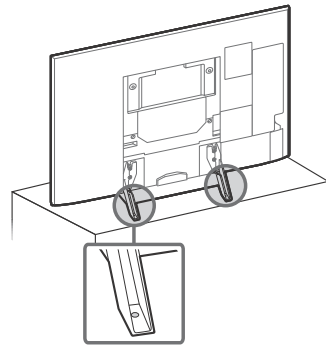


- Durante lo spostamento o il montaggio del televisore, non posare il televisore.



- Durante il trasporto, non sottoporre il televisore a urti o vibrazioni eccessive.
- Nel caso in cui si renda necessario trasportare il televisore per farlo riparare o per un trasloco, richiuderlo sempre nell'imballaggio originale.

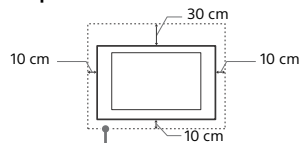
Prevenzione delle cadute



Ventilazione

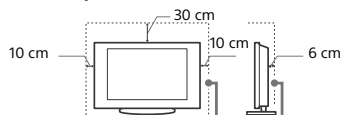
- Non coprire i fori di ventilazione o inserire oggetti nel mobile.
- Lasciare un po' di spazio intorno al televisore.
- Si raccomanda caldamente di utilizzare la staffa di montaggio a parete Sony al fine di consentire un'adeguata circolazione dell'aria.

Installato a parete



Spazio minimo indispensabile attorno al televisore.

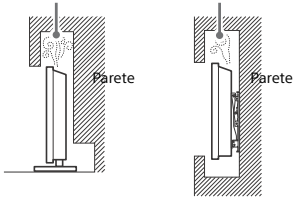
Installato sul piedistallo



Spazio minimo indispensabile attorno al televisore.

- Per garantire una ventilazione adeguata ed evitare l'accumulo di sporcizia e polvere:
 - Non installare il televisore in posizione orizzontale o piana, capovolta, girato all'indietro o ruotato su un lato.
 - Non posizionare il televisore su uno scaffale o dentro un armadio.
 - Non coprire il televisore con tessuti od oggetti, come per esempio tende, giornali e simili.
 - Non installare il televisore nel modo indicato di seguito.

Circolazione dell'aria bloccata.



Cavo di alimentazione

Maneggiare il cavo e la presa di corrente nel modo indicato di seguito, al fine di evitare il rischio di incendi, scosse elettriche, danni e/o lesioni:

- Svitizzare soltanto cavi di alimentazione forniti da Sony, non di altre marche.
- Inserire completamente la spina nella presa di corrente.
- Utilizzare il televisore esclusivamente con alimentazione da 220 V - 240 V CA.
- Prima di effettuare i collegamenti, per motivi di sicurezza assicurarsi di aver scollegato il cavo di alimentazione e prestare attenzione a non rimanere impigliati nei cavi con i piedi.
- Disinserire il cavo di alimentazione dalla presa di corrente prima di effettuare operazioni sul televisore o di spostarlo.
- Tenere il cavo di alimentazione lontano da fonti di calore.
- Scollegare e pulire regolarmente la spina del cavo di alimentazione. Se la spina è ricoperta di polvere ed è esposta a umidità, l'isolamento potrebbe deteriorarsi e provocare un incendio.

Nota

- Non utilizzare il cavo di alimentazione fornito su altri apparecchi.
- Non sottoporre a pressione, piegare o attorcigliare eccessivamente il cavo di alimentazione. I fili interni potrebbero scoprirsi o danneggiarsi.
- Non modificare il cavo di alimentazione.
- Non collocare oggetti pesanti sul cavo di alimentazione.
- Non tirare il cavo di alimentazione per disinserirlo.
- Non collegare un numero eccessivo di apparecchiature alla medesima presa di corrente.
- Non utilizzare una presa di corrente nella quale la spina non rimane saldamente inserita.

NOTA SULL'ALIMENTATORE (solo per i modelli con alimentatore esterno)

Attenzione

Per ridurre il rischio di incendi o scosse elettriche, non esporre questo apparato alla pioggia o all'umidità. Per evitare il rischio di incendi o scosse elettriche, non appoggiare sull'apparecchio oggetti contenenti liquidi, come vasi o simili. Non installare l'apparecchio in uno spazio chiuso, come una libreria o mobili simili.

- Assicurarsi che la presa di corrente sia installata vicino all'apparecchio e che sia facilmente accessibile.
- Utilizzare esclusivamente l'alimentatore e il cavo di alimentazione in dotazione.
- Non utilizzare alimentatori diversi dall'originale. In caso contrario, potrebbe verificarsi un problema di funzionamento.
- Collegare l'alimentatore a una presa di corrente facilmente accessibile.
- Non attorcigliare il cavo di alimentazione attorno all'alimentatore. Diversamente i fili del cavo potrebbero spezzarsi e/o potrebbero verificarsi problemi di funzionamento dell'apparecchio.



- Non toccare l'alimentatore con le mani bagnate.
- In caso di anomalie all'alimentatore, scollegarlo immediatamente dalla presa di corrente.
- L'apparecchio è sotto tensione anche da spento e fino a quando non si stacca la spina dalla presa di corrente.
- È normale che l'alimentatore si riscaldi dopo un uso prolungato.

Uso proibito

Non installare/utilizzare il televisore in luoghi, ambienti o situazioni come quelle elencate di seguito, al fine di evitare il rischio di malfunzionamenti, incendi, scosse elettriche o danni e/o lesioni.

Luoghi:

- All'aperto (esposto alla luce solare diretta), in spiaggia, su imbarcazioni, all'interno di un veicolo, in ambiente medico, in posizioni instabili, esposto all'acqua, pioggia, umidità o fumo.

Ambienti:

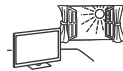
- Luoghi caldi, umidi o eccessivamente polverosi; esposti all'ingresso di insetti; dove potrebbero essere soggetti a vibrazioni meccaniche; nelle vicinanze di oggetti infiammabili (candele, ecc.). Non esporre il televisore a sgocciolamento o spruzzi e non posizionarvi sopra oggetti contenenti liquidi, come per esempio vasi.

Situazioni:

- No utilizzare con mani umide, oppure se il coperchio posteriore è stato rimosso, o con accessori non raccomandati dal costruttore. Durante i temporali, scollegare il televisore dalla presa di corrente e dall'antenna.
- Installazione del televisore in una posizione che sporge verso uno spazio aperto. Potrebbero verificarsi lesioni o danni provocati da urti di persone o oggetti contro il televisore.



- Collocazione del televisore in aree umide o polverose, o in stanze con presenza di fumi oleosi o vapore (nei pressi di tavoli da cucina o umidificatori). Potrebbero verificarsi incendi, scosse elettriche o deformazioni.
- Installazione del televisore in luoghi soggetti a temperature estremamente elevate, ad esempio alla luce solare diretta, in prossimità di radiatori o di ventole di riscaldamento. In tali condizioni, il surriscaldamento del televisore potrebbe provocare la deformazione del rivestimento e/o problemi di funzionamento.



- Se collocato nello spogliatoio di un bagno pubblico o di un centro termale, il televisore potrebbe venire danneggiato dalla presenza di zolfo nell'aria, ecc.



- Per una qualità di immagine ottimale, evitare l'esposizione dello schermo a un'illuminazione diretta o alla luce del sole.
- Evitare di spostare il televisore da un ambiente freddo a un ambiente caldo. I cambiamenti improvvisi di temperatura ambientale possono portare alla formazione di condensa. Ciò potrebbe far sì che il televisore visualizzi immagini di scarsa qualità e/o con colori insoddisfacenti. Nel caso, lasciare evaporare completamente l'umidità prima di accendere il televisore.

Rottura di componenti:

- Non tirare oggetti contro il televisore. Il vetro dello schermo potrebbe rompersi a causa dell'impatto e provocare lesioni gravi.
- Se la superficie del televisore si rompe, non toccarla finché non è stato scollegato il cavo di alimentazione. In caso contrario, potrebbero generarsi scosse elettriche.

Periodi di inutilizzo

- Qualora si preveda di non utilizzare il televisore per numerosi giorni, scollegarlo dalla presa di corrente per motivi di sicurezza e nel rispetto dell'ambiente.
- Anche se spento, il televisore non è scollegato dalla rete elettrica; per scollegare completamente il televisore, estrarre la spina dalla presa di corrente.
- Alcuni televisori potrebbero disporre di funzioni che per operare correttamente richiedono di lasciare il televisore in standby.

Bambini

- Impedire ai bambini di salire sul televisore.
- Tenere gli accessori di piccole dimensioni lontano dalla portata dei bambini, affinché non vengano accidentalmente ingeriti.

Qualora si verifichino i seguenti problemi...

Spegnere il televisore e staccare immediatamente la spina dalla presa di corrente qualora si verifichino i seguenti problemi. Rivolgersi al proprio rivenditore o ad un Centro Assistenza Autorizzato Sony per fare controllare il televisore da personale qualificato.

Quando:

- Il cavo di alimentazione è danneggiato.
- La spina non rimane saldamente inserita nella presa di corrente.
- Il televisore è danneggiato per una caduta, un urto o un oggetto lanciato.
- All'interno del televisore sono penetrate sostanze liquide o oggetti solidi.

Temperatura di funzionamento dei TV LCD

Utilizzando i TV LCD per lunghi periodi di tempo, la cornice attorno allo schermo tende a scaldarsi considerevolmente. Toccando la mano, è perciò normale avvertire un calore intenso.

Precauzioni

Visione del televisore

- Si consiglia di guardare la TV in condizioni di luce normale, in quanto la visione in condizioni di luce insufficiente oppure per lunghi periodi di tempo può affaticare la vista.
- Onde evitare danni all'udito, durante l'uso delle cuffie regolare il volume a livelli moderati.

Schermo LCD

- Per quanto lo schermo LCD sia realizzato con tecnologia ad alta precisione e disponga del 99,99 % od oltre di pixel effettivi, potrebbero comparire, in modo permanente, dei piccolissimi punti scuri o luminosi (rossi, blu o verdi) sullo schermo. Ciò costituisce una caratteristica di fabbricazione dello schermo LCD e non è un problema di funzionamento.
- Non premere o graffiare il pannello frontale e non posizionare oggetti sopra al televisore. L'immagine potrà risultare non uniforme o lo schermo LCD danneggiato.
- Se il televisore viene utilizzato in un luogo freddo, le immagini potrebbero risultare distorte o più scure del normale. Non si tratta di un problema di funzionamento, bensì di un fenomeno che scompare con l'aumento della temperatura.
- Se si guardano spesso fotografie o immagini fisse, è possibile che a volte permanga un'immagine latente. Tale effetto scompare dopo alcuni istanti.
- È normale che durante l'uso, sia lo schermo che il rivestimento esterno tendano a scaldarsi considerevolmente.
- Lo schermo LCD contiene piccole quantità di cristalli liquidi. Per lo smaltimento attenersi ai regolamenti e alle normative locali.

Cura e pulizia della superficie dello schermo e del rivestimento

Staccare la spina del televisore dalla presa di corrente prima di procedere alla pulizia.

Per evitare il degradamento del materiale o del rivestimento dello schermo, prendere le seguenti precauzioni.

- Per rimuovere la polvere dalla superficie dello schermo e dal rivestimento, utilizzare un panno morbido e procedere con delicatezza. Se la polvere persiste, utilizzare un panno morbido leggermente inumidito con una soluzione detergente neutra diluita.
- Non spruzzare acqua o detersivi direttamente sul televisore. Potrebbero infiltrarsi o gocciolare all'interno attraverso verso la parte inferiore dello schermo o le feritoie del coperchio posteriore e provocare danni al televisore.
- Non utilizzare spugnette abrasive, detersivi alcalini o acidi, polveri abrasive o solventi volatili quali alcool, benzene, diluenti o insetticidi. L'uso di tali materiali o il contatto prolungato con gomma o materiali vinilici potrebbero danneggiare la superficie dello schermo e il materiale di rivestimento del televisore.
- Non toccare il televisore con le mani ricoperte di sostanze chimiche, quali crema per le mani o protezione solare.
- Si consiglia di passare di tanto in tanto l'aspirapolvere sulle aperture di ventilazione per garantire una ventilazione adeguata.
- Per regolare l'angolazione del televisore, spostarlo lentamente in modo da evitare che muovendolo scivoli dalla base.

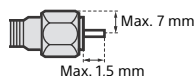


Apparecchiature opzionali

- Mantenere i componenti opzionali o eventuali apparecchiature che emettono radiazioni elettromagnetiche lontano dal televisore. In caso contrario, si potranno verificare distorsioni dell'immagine e/o disturbi dell'audio.
- Il presente apparecchio è stato testato ed è risultato conforme ai limiti imposti dalla Direttiva EMC utilizzando un cavo del segnale di collegamento di lunghezza inferiore a 3 metri.
- Il presente apparecchio è stato testato ed è risultato conforme ai limiti imposti dalla Direttiva EMC utilizzando un cavo RF di lunghezza inferiore a 30 metri per terminale terrestre/satellite/CATV.

Raccomandazione spina tipo F

La sporgenza del filo interno dall'elemento di collegamento deve essere inferiore a 1,5 mm.



(Figura di riferimento della spina tipo F)

Funzione Wireless dell'unità

- Non utilizzare l'unità in prossimità di apparecchiature medicali (pacemaker e simili), in quanto potrebbe provocare anomalie di funzionamento a tali dispositivi.
- Anche se questa unità trasmette/riceve segnali codificati, fare attenzione alle intercettazioni non autorizzate. Si declina ogni responsabilità per gli eventuali inconvenienti che dovessero verificarsi.
- Questo apparecchio deve essere installato e azionato con una distanza minima di almeno 20 cm o più tra l'antenna del dispositivo e il corpo della persona.

Precauzione per l'uso del telecomando

- Inserire le batterie rispettando la corretta polarità.
- Non utilizzare tipi diversi di batterie insieme o combinare batterie usate e nuove.
- Nel rispetto dell'ambiente, depositare le batterie scariche negli appositi contenitori adibiti alla raccolta differenziata. Alcune regioni potrebbero avere normative particolari per lo smaltimento delle batterie. Consultare le autorità locali.
- Maneggiare il telecomando con cura, evitando di lasciarlo cadere, calpestarlo o rovesciarlo sopra liquidi di alcun tipo.
- Non posizionare il telecomando in prossimità di fonti di calore, né in luoghi direttamente esposti alla luce solare o in stanze umide.

Smaltimento del televisore



Trattamento del dispositivo elettrico o elettronico a fine vita (applicabile in tutti i paesi dell'Unione Europea e in altri paesi europei con sistema di raccolta differenziata)

Questo simbolo sul prodotto o sulla confezione indica che il prodotto non deve essere

considerato come un normale rifiuto domestico, ma deve invece essere consegnato ad un punto di raccolta appropriato per il riciclo di apparecchi elettrici ed elettronici. Assicurandovi che questo prodotto sia smaltito correttamente, voi contribuirete a prevenire potenziali conseguenze negative per l'ambiente e per la salute che potrebbero altrimenti essere causate dal suo smaltimento inadeguato. Il riciclaggio dei materiali aiuta a conservare le risorse naturali. Per informazioni più dettagliate circa il riciclaggio di questo prodotto, potete contattare l'ufficio comunale, il servizio locale di smaltimento rifiuti oppure il negozio dove l'avete acquistato. In caso di smaltimento abusivo di apparecchiature elettriche e/o elettroniche potrebbero essere applicate le sanzioni previste dalla normativa applicabile (valido solo per l'Italia).



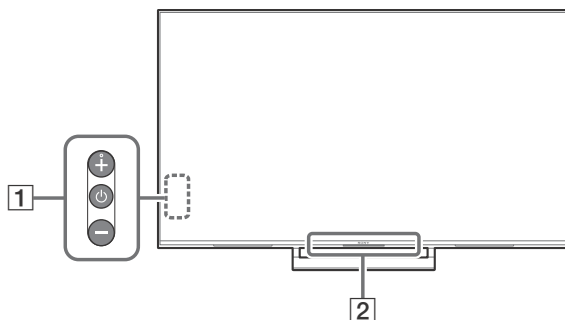
Trattamento delle pile esauste (applicabile in tutti i paesi dell'Unione Europea e in altri paesi Europei con sistema di raccolta differenziata)

Questo simbolo sul prodotto o sulla confezione

indica che la pila non deve essere considerata un normale rifiuto domestico. Su alcuni tipi di pile questo simbolo potrebbe essere utilizzato in combinazione con un simbolo chimico. I simboli chimici del mercurio (Hg) o del piombo (Pb) sono aggiunti, se la batteria contiene più dello 0,0005 % di mercurio o dello 0,004 % di piombo. Assicurandovi che le pile siano smaltite correttamente, contribuirete a prevenire potenziali conseguenze negative per l'ambiente e per la salute che potrebbero altrimenti essere causate dal loro inadeguato smaltimento. Il riciclaggio dei materiali aiuta a conservare le risorse naturali. In caso di prodotti che per motivi di sicurezza, prestazione o protezione dei dati richiedano un collegamento fisso ad una pila interna, la stessa dovrà essere sostituita solo da personale di assistenza qualificato. Consegnare il prodotto a fine vita al punto di raccolta idoneo allo smaltimento di apparecchiature elettriche ed elettroniche; questo assicura che anche la pila al suo interno venga trattata correttamente. Per le altre pile consultate la sezione relativa alla rimozione sicura delle pile. Conferire le pile esauste presso i punti di raccolta indicati per il riciclo. Per informazioni più dettagliate circa lo smaltimento della pila esausta o del prodotto, potete contattare il Comune, il servizio locale di smaltimento rifiuti oppure il negozio dove l'avete acquistato.


Parti e comandi

Comandi e indicatori





1 (Accensione) /+/-

Quando il televisore è spento,

Premere  per accenderlo.

Quando il televisore è acceso,

Tenere premuto  per spegnere.

Premere più volte  per cambiare la funzione, quindi premere il tasto + o - per:

- Regolazione del volume.
- Selezione del canale.
- Selezione della sorgente in ingresso del televisore.

2 **Sensore del telecomando* / Sensore di luce* / Indicatore LED**

L'indicatore LED si accende o lampeggia a seconda dello stato del televisore.

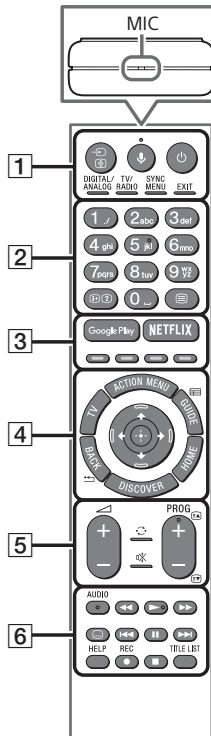
Per ulteriori informazioni, consultare la Guida.

* Non collocare nulla accanto al sensore.

Uso del telecomando

Descrizione delle parti del telecomando

La forma del telecomando, la posizione, la disponibilità e le funzioni dei tasti del telecomando possono variare a seconda della regione/del paese/del modello del televisore.



1 (Selezione ingresso/Blocca Pagina Televideo)

In modalità TV: Consente di visualizzare e selezionare la sorgente di ingresso.
In modalità Televideo: Consente di bloccare la pagina visualizzata.

(Microfono)

Consente di utilizzare la Funzione vocale. (per es. di cercare svariati contenuti tramite comandi vocali.)

(Standby TV)

Consente di accendere o spegnere il televisore (modo standby).

DIGITAL/ANALOG

Consente di commutare le modalità digitale terrestre, analogico e satellite, in rotazione.

TV/RADIO

Consente di passare dalle trasmissioni TV alle trasmissioni RADIO e viceversa.

SYNC MENU

Consente di visualizzare il menu BRAVIA Sync.

EXIT

Consente di tornare alla schermata precedente, di uscire dal menu o chiudere l'applicazione interattiva.

2 Tasti numerici

/ (Info/Mostra testo)

Consente di visualizzare le informazioni sul programma in onda, oppure la soluzione dei quesiti nel Televideo.

(Televideo)

Consente di visualizzare le informazioni del Televideo.

3 Google Play

Consente di accedere al servizio online "Google Play".

NETFLIX (Solo per alcune Regioni / Nazioni / Modelli TV.)

Consente di accedere al servizio online "NETFLIX".

Tasti colorati

Consentono di eseguire la funzione corrispondente indicata sullo schermo.

4 ACTION MENU

Consente di visualizzare un elenco di funzioni contestuali.

TV

- Dalle applicazioni, consente di passare ai programmi TV o ad un ingresso predefinito.
- Accendere il televisore su un programma TV o un ingresso.

GUIDE/

Consente di visualizzare la guida TV.

BACK/

Consente di tornare alla schermata precedente.

HOME

Consente di visualizzare il menu principale del televisore.

DISCOVER

Mostra la barra di selezione e ricerca rapida di programmi, contenuti e applicazioni.

/ / / / (Selezione/Conferma o OK)

5 +/- (Volume)

Consente di regolare il volume.

(Salto)


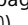
Consente di saltare in avanti o all'indietro tra due canali o ingressi. Il televisore passa dal canale o ingresso corrente all'ultimo canale o ingresso selezionato e viceversa.

(Disattivazione audio)

Consente di disattivare l'audio. Premere nuovamente per riattivare l'audio.

PROG +/- / /

In modalità televisore: consente di passare al programma successivo/precedente (zapping).

In modalità Televideo: Consente di selezionare la pagina successiva () o precedente ()

6 AUDIO

Consente di ascoltare il programma in lingua originale, quando questa è trasmessa dall'emittente.



Consentono di controllare contenuti multimediali sul televisore e su un dispositivo collegato compatibile BRAVIA Sync.

(Impostazione Sottotitoli)

Consente di attivare o disattivare i sottotitoli (quando la funzione è disponibile).

HELP

Consente di visualizzare il menu Guida. La Guida è accessibile da qui.

● REC

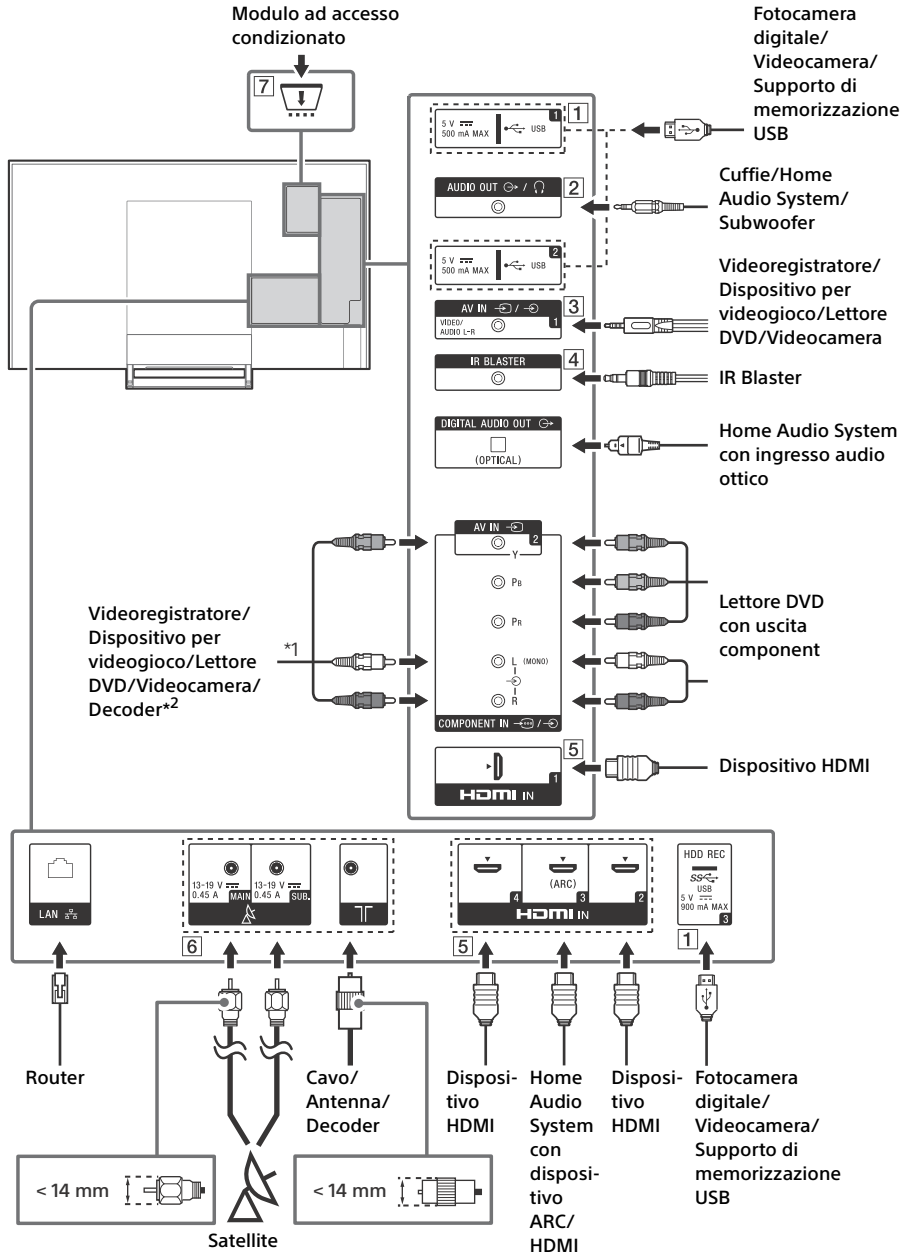
Consente di registrare i programmi digitali (se l'emittente lo permette) tramite la funzione di registrazione USB HDD.

TITLE LIST

Consente di visualizzare l'elenco dei titoli.

Schema di collegamento

Per ulteriori informazioni sui collegamenti, consultare la Guida premendo il tasto **HELP** sul telecomando.



IT

1 **USB 1/2, SS USB 3 (HDD REC)*3**

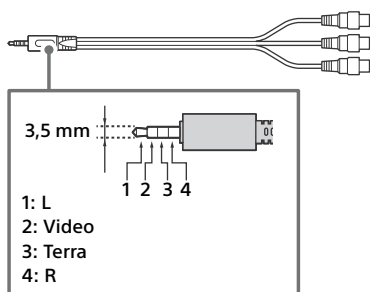
- Collegare un dispositivo USB di grandi dimensioni potrebbe interferire con altri dispositivi collegati.
- Quando si collega un dispositivo USB di grandi dimensioni, utilizzare la presa USB 1.

2 **AUDIO OUT**

- Supporta solo il minijack stereo tripolare.
- Per ascoltare l'audio del televisore attraverso il dispositivo collegato, premere **HOME**. Selezionare [Impostazioni] → [Suono] → [Uscita cuffie/audio] e selezionare la voce desiderata.

3 **AV IN 1**

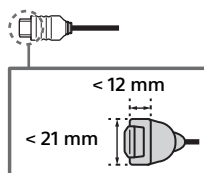
- Per un collegamento composito, utilizzare una prolunga analogica (non in dotazione).



4 **IR BLASTER*3**

5 **HDMI IN 1/2/3/4**

- Se si collega un sistema audio digitale compatibile con la tecnologia Canale di ritorno audio (ARC), utilizzare HDMI IN 3. In caso contrario, è necessario un collegamento aggiuntivo con DIGITAL AUDIO OUT (OPTICAL).



6 **(Ingresso satellite), Υ (Ingresso RF)**

- Collegamenti per trasmissione terrestre/ via cavo e via satellite. Fasi di collegamento: SUB. → Antenna → MAIN
- Per la presa SUB., collegare solo quando si utilizza la modalità sintonizzatore Twin ad eccezione della Distr. via cavo singolo EN50494.

7 **CAM (Conditional Access Module, modulo ad accesso condizionato)**

- Consente l'accesso ai servizi televisivi a pagamento. Per ulteriori dettagli, fare riferimento al manuale d'uso in dotazione alla CAM.
- La smart card non va inserita direttamente nell'alloggiamento CAM del televisore, ma nell'apposita fessura della CAM, la quale è reperibile presso i rivenditori autorizzati di zona.
- L'uso della CAM non è supportato in alcuni paesi/aree. Rivolgersi a un rivenditore autorizzato di zona per verificarne la possibilità di utilizzo.
- Un messaggio CAM può apparire quando si passa a un programma digitale dopo aver visualizzato video su Internet.

*1 Quando si collega un dispositivo monofonico, eseguire il collegamento alla presa audio L (MONO).

*2 Per un dispositivo esterno con solo SCART AV OUT, utilizzare un adattatore SCART-RCA.

*3 Solo per alcune Regioni / Nazioni / Modelli TV.

Installazione del televisore a parete

Uso della staffa di montaggio a parete opzionale

Il manuale d'uso del televisore spiega solo le fasi di preparazione all'installazione a parete.

Per i clienti:

Per evitare di danneggiare il prodotto e per ragioni di sicurezza, Sony raccomanda vivamente di affidare l'installazione del televisore a rivenditori o a installatori autorizzati Sony. Non cercare di eseguire l'installazione personalmente.

Per i rivenditori e installatori Sony:

Prestare massima attenzione alla sicurezza durante gli interventi di installazione, manutenzione periodica e controllo del prodotto.

Il presente prodotto deve essere installato esclusivamente da un professionista qualificato, in grado di verificare se la parete è sufficientemente solida da sostenere il peso della TV. Se non viene assicurata saldamente durante l'installazione, la TV potrebbe cadere e causare lesioni gravi. Sony non potrà essere ritenuta responsabile per danni o lesioni causate da usi non appropriati del prodotto, da installazione non corretta o da installazioni di prodotti diversi da quello specificato. Quanto dichiarato non pregiudica (eventuali) diritti legali.

Utilizzare la staffa di montaggio a parete SU-WL845 (non in dotazione) (solo KD-75XE94xx, KD-65XE93xx), SU-WL840 (non in dotazione) (solo KD-55XE93xx) o SU-WL450 (non in dotazione) (solo KD-65/55XE93xx) per installare il televisore alla parete.

Durante l'installazione della staffa di montaggio a parete, consultare anche le Istruzioni per l'uso e la Guida all'installazione in dotazione con la staffa di montaggio a parete.

Nota

- Conservare le viti rimosse al sicuro, fuori dalla portata dei bambini.
- Accertarsi che la parete sia abbastanza spaziosa per la TV e che sia in grado di sostenere un peso almeno sei volte superiore a quello della TV.

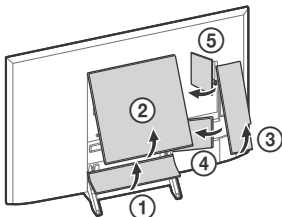


Per istruzioni sull'installazione della staffa di montaggio a parete per il proprio modello di TV, fare riferimento al seguente sito Web:

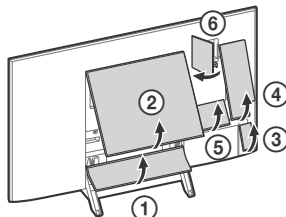
www.sony.eu/tv/wall-mount-bracket-manual

Rimuovere il coperchio del supporto e i coperchi del terminale.

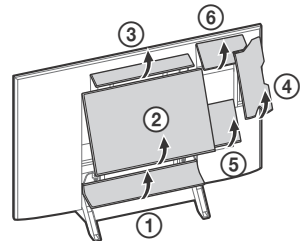
KD-75XE94xx



KD-65XE93xx



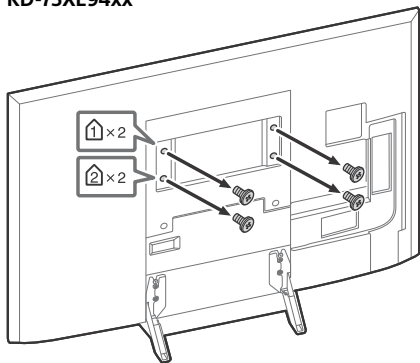
KD-55XE93xx



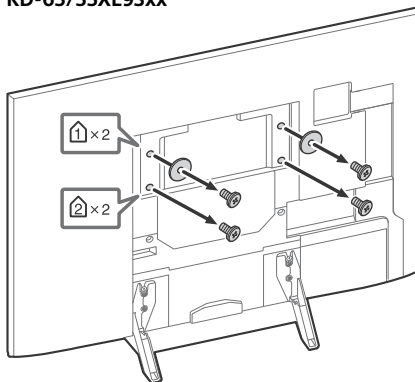
SU-WL845 (KD-75XE94xx, KD-65XE93xx), SU-WL840 (KD-55XE93xx)

Rimuovere le viti dal retro del televisore.

KD-75XE94xx

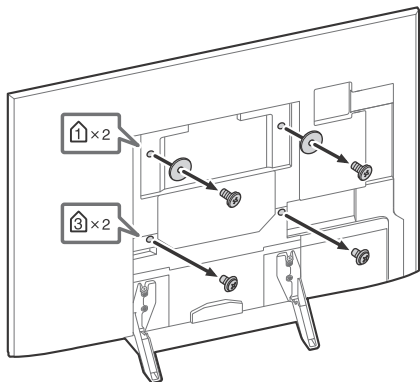


KD-65/55XE93xx

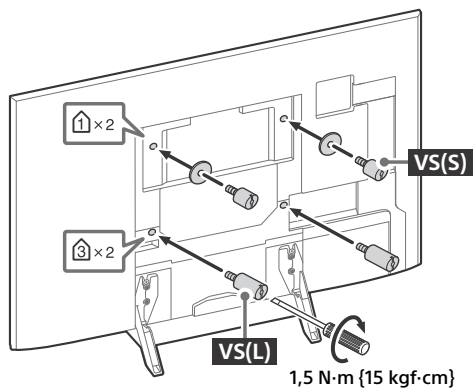


SU-WL450 (Solo KD-65/55XE93xx)

1 Rimuovere le viti dal retro del televisore.



- 2** Collegare l'accessorio di montaggio a parete (in dotazione con il televisore) al retro del televisore (per renderlo parallelo alla parete).



Nota

- Se si utilizza un cacciavite elettrico, impostare la coppia di serraggio a circa 1,5 N·m {15 kgf·cm}.
- Assicurarsi di fissare l'accessorio di montaggio a parete quando lo si collega al televisore. Utilizzare un cacciavite a testa piatta per l'installazione dell'accessorio di montaggio a parete. L'utilizzo di un altro strumento potrebbe causare un eccessivo serraggio dell'accessorio di montaggio a parete, con conseguenti danni al televisore.

Solo KD-75XE94xx, KD-55XE93xx

È possibile montare la TV su una staffa di montaggio a parete (non in dotazione) preconfezionata.

Prima di collegare i cavi, occorre preparare il TV per l'installazione della staffa di montaggio a parete.

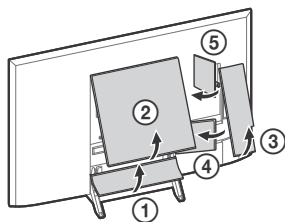
Il presente prodotto deve essere installato esclusivamente da un professionista qualificato, in grado di verificare se la parete è sufficientemente solida da sostenere il peso della TV. Se non viene assicurata saldamente durante l'installazione, la TV potrebbe cadere e causare lesioni gravi. Sony non potrà essere ritenuta responsabile per danni o lesioni causate da usi non appropriati del prodotto, da installazione non corretta o da installazioni di prodotti diversi da quello specificato. Quanto dichiarato non pregiudica (eventuali) diritti legali.

Per ragioni di sicurezza e di protezione del prodotto, Sony raccomanda che l'installazione del televisore a parete sia effettuata da personale qualificato. Non cercare di eseguire l'installazione personalmente.

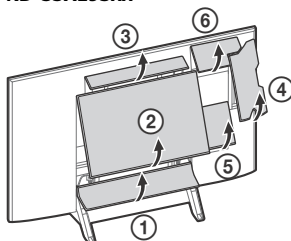
- Attenersi alle istruzioni fornite con la staffa di montaggio a parete per il modello in uso.
- Conservare il piedistallo e le viti non utilizzate del TV in un luogo sicuro per un eventuale uso futuro. Tenere le viti fuori dalla portata dei bambini.
- Accertarsi che la parete sia abbastanza spaziosa per la TV e che sia in grado di sostenere un peso almeno sei volte superiore a quello della TV.

1 Rimuovere il coperchio del supporto e i coperchi del terminale.

KD-75XE94xx

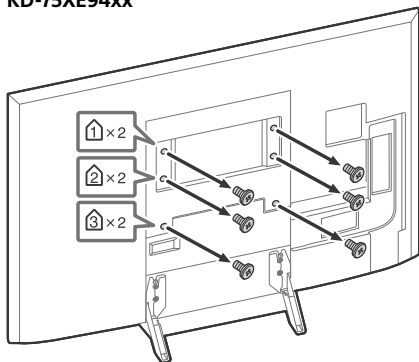


KD-55XE93xx

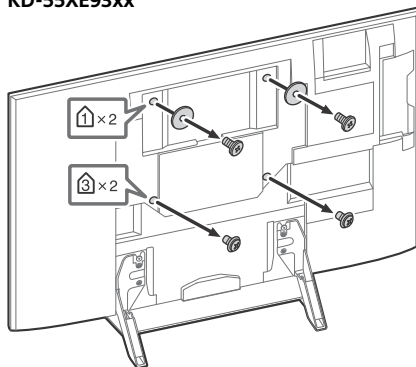


2 Rimuovere le viti dal retro del televisore.

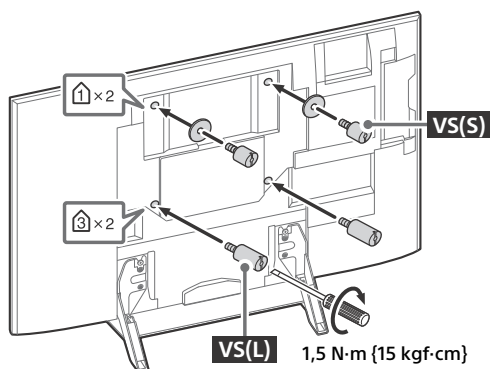
KD-75XE94xx



KD-55XE93xx

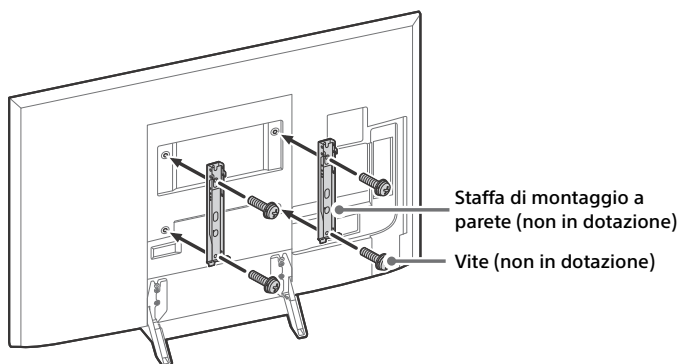


- 3** Collegare l'accessorio di montaggio a parete (in dotazione con il televisore) al retro del televisore (per renderlo parallelo alla parete). (Solo KD-55XE93xx)

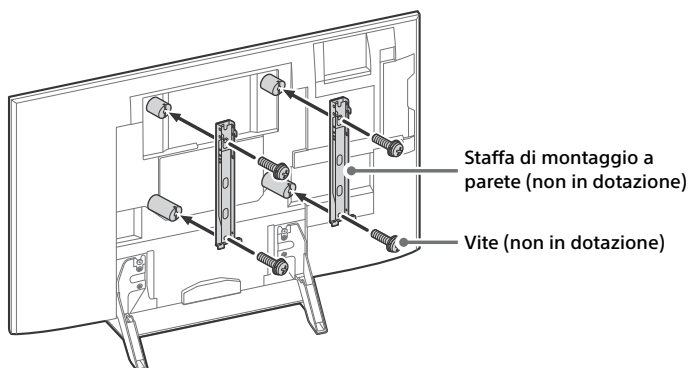


- 4** Fissare saldamente la staffa di montaggio a parete (non in dotazione) al TV con apposite viti (non in dotazione).

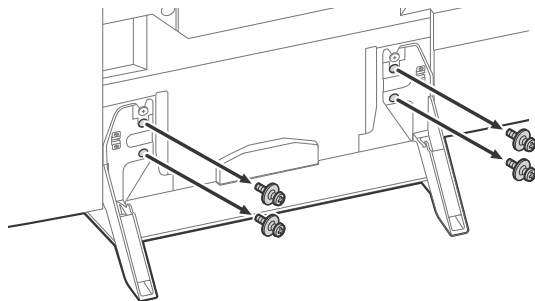
KD-75XE94xx



KD-55XE93xx



5 Rimuovere il piedistallo dal televisore.



Nota

- Se si utilizza un cacciavite elettrico, impostare la coppia di serraggio a circa 1,5 N·m {15 kgf·cm}.
- Assicurarsi di fissare l'accessorio di montaggio a parete quando lo si collega al televisore. Utilizzare un cacciavite a testa piatta per l'installazione dell'accessorio di montaggio a parete. L'utilizzo di un altro strumento potrebbe causare un eccessivo serraggio dell'accessorio di montaggio a parete, con conseguenti danni al televisore.
- Non è possibile utilizzare alcuni portacavi sul retro del televisore quando si usa una staffa di montaggio a parete (non in dotazione).

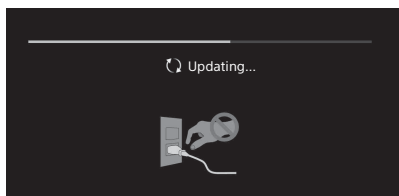
Risoluzione dei problemi

Per risolvere problemi come: assenza di immagine, assenza di suono, immagine bloccata, nessuna reazione ai comandi, o problemi di connessione alla rete, provare ad eseguire le seguenti operazioni.

- 1 Riavviare il televisore premendo il tasto di accensione sul telecomando finché non viene visualizzato un messaggio. Il televisore si riavvia. Se il televisore non si ripristina, provare a scollegare il cavo di alimentazione per due minuti e ricollegarlo.
- 2 Consultare il menu Guida premendo il tasto **HELP** sul telecomando.
- 3 Connettere il televisore a Internet ed eseguire l'aggiornamento del software.
- 4 Consultare il sito Web di assistenza Sony (le informazioni sono fornite nella copertina posteriore).

Quando viene visualizzato il messaggio [È disponibile un aggiornamento per il software del TV...].

Sony raccomanda vivamente di aggiornare il software del televisore selezionando [Aggiorna subito]. Questi aggiornamenti del software migliorano le prestazioni del televisore o aggiungono nuove funzioni. Viene visualizzata la seguente schermata con [Updating...] (Aggiornamento...) l'indicatore LED lampeggia in bianco durante l'aggiornamento del software.



Non scollegare il cavo di alimentazione CA durante l'aggiornamento del software. Se il cavo viene scollegato, l'aggiornamento del software potrebbe non essere completato correttamente e potrebbero verificarsi malfunzionamenti del software. Gli aggiornamenti del software possono impiegare fino a 15 minuti.

Alla prima accensione, o dopo un periodo d'inattività, è possibile che il televisore non si accenda immediatamente anche se si preme il tasto di accensione sul telecomando oppure sul televisore.

L'inizializzazione del sistema necessita di un po' di tempo. Attendere circa un minuto, quindi riprovare.

Problemi e soluzioni

Se l'indicatore LED lampeggia in rosso.

- Contare il numero di lampeggi (l'intervallo è di tre secondi).
Riavviare il televisore scollegando il cavo di alimentazione per due minuti, quindi accendere il televisore.
Se il problema persiste, scollegare il cavo di alimentazione e rivolgersi al rivenditore o al centro servizi Sony comunicando il numero di volte in cui l'illuminazione del LED lampeggia.

Non si ricevono i canali del digitale terrestre/TV via cavo.

- Controllare i collegamenti dell'antenna/TV via cavo.
- Selezionare il servizio terrestre/via cavo premendo il tasto **DIGITAL/ANALOG** sul telecomando. Se il servizio di trasmissione non viene visualizzato, premere **TV**, quindi premere **DIGITAL/ANALOG**.
- Il segnale terrestre potrebbe essere soppresso se è presente un forte segnale nelle vicinanze. Impostare [LNA (Canale ---)] su [Disattivato] nelle impostazioni di sintonizzazione digitale.
- Dopo essersi trasferiti in una nuova casa o dopo aver cercato di ricevere nuovi servizi, tentare una ricerca del servizio selezionando [Ricerca automatica dei canali TV DTT].

Impossibile ricevere il servizio satellitare.

- Controllare il collegamento del cavo satellitare.
- Quando viene visualizzato il messaggio [Nessun segnale. Rilevato sovraccarico LNB...], scollegare il cavo di alimentazione. Quindi, assicurarsi che il cavo satellitare non sia danneggiato e che la linea del segnale satellitare non sia in corto circuito nel connettore satellitare.

Il telecomando non funziona.

- Sostituire le batterie.

Il blocco parentale per la password di trasmissione è stato dimenticato.

- Digitare 9999 per il codice PIN e selezionare [Modifica codice PIN].

Le aree in prossimità del televisore si riscaldano.

- È normale che le aree attorno al TV si riscaldino dopo un uso prolungato.

Caratteristiche tecniche

Sistema

Tipo di pannello

Pannello LCD (Display Cristalli Liquidi),
Retroilluminazione a LED

Sistema TV

In base alla nazione/regione seleziona/al

modello del televisore

Analogico: B/G, D/K, I

Digitale: DVB-T/DVB-C
DVB-T2*

Satellite*: DVB-S/DVB-S2

Sistema colore

PAL, SECAM, NTSC3.58 (Solo video), NTSC4.43
(Solo video)

Gamma di sintonia

In base alla nazione/regione seleziona/al

modello del televisore

Analogico: UHF/VHF/TV via cavo

Digitale: UHF/VHF/TV via cavo

Satellite*: Frequenza IF 950-2.150 MHz

Potenza d'uscita audio

KD-75XE94xx, KD-65XE93xx: 10 W + 10 W + 10 W +
10 W + 10 W + 10 W

KD-55XE93xx: 5 W + 5 W + 10 W + 10 W + 10 W +
10 W

Tecnologia wireless

Protocollo IEEE802.11ac/a/b/g/n

(IEEE802.11ac potrebbe non essere disponibile a
seconda dei paesi/delle regioni.)

Bluetooth Versione 4.1

Bande di frequenza: WLAN a 2,4 GHz/5 GHz,

Bluetooth a 2,4 GHz

Trasmettitore di potenza radiofrequenza:

100 mW MAX

Versione software del televisore:

PKG_..._...EUA

Premere **HELP** sul telecomando per conoscere la
versione software.

* Non tutti i televisori dispongono di tecnologia DVB-T2
o DVB-S/S2 o di terminale antenna satellitare.

Prese Ingressi/Uscite

Presca d'antenna / TV via cavo

Terminale esterno 75 ohm per VHF/UHF

Presca per antenna satellitare

Connettore di Tipo F Femmina, 75 ohm.

DiSEqC 1.0, LNB 13 V/18 V e tono a 22 kHz,

Distribuzione a cavo singolo EN50494.

 AV IN 1

Ingresso audio/video (mini jack)

COMPONENT IN

YPbPr (Video component): 1080p (50, 60 Hz), 1080i (50, 60 Hz), 720p (50, 60 Hz), 576p, 576i, 480p, 480i

Ingresso audio (connettori fono)

AV IN 2

Ingresso video (presa fono - polo comune con ingresso Y)

HDMI IN 1, 2, 3, 4 (supporta risoluzione 4K, Compatibile HDCP 2.2)

Video:

4096 × 2160p (50, 60 Hz)^{*1*2}, 4096 × 2160p (24 Hz)^{*1}, 3840 × 2160p (50, 60 Hz)^{*2}, 3840 × 2160p (24, 25, 30 Hz), 1080p (30, 50, 60 Hz), 1080/24p, 1080i (50, 60 Hz), 720p (30, 50, 60 Hz), 720/24p, 576p, 576i, 480p, 480i, Formati PC

*1 3840 × 2160p visualizzato se risoluzione d'ingresso è 4096 × 2160p.

*2 Solo HDMI IN 2 / 3.



Audio: PCM lineare 5,1 canali: 32, 44,1, 48, 88,2, 96, 176,4 e 192 kHz, 16, 20 e 24 bit, Dolby Digital, Dolby Digital Plus e DTS

ARC (Audio Return Channel) (solo HDMI IN 3)

(PCM lineare due canali: 48 kHz, 16 bit, Dolby Digital, Dolby Digital Plus, DTS)


DIGITAL AUDIO OUT (OPTICAL)

Presa ottica digitale (PCM lineare due canali: 48 kHz, 16 bit, Dolby Digital, DTS)

AUDIO OUT  /  (Presa mini jack stereo)

Cuffie, uscita audio, subwoofer

1, 2, 3 (HDD REC)^{*1}

Porta dispositivo USB ( Dispositivo HDD USB 3 per la registrazione)

Le porte USB 1 e 2 supportano USB High Speed (USB2.0).

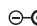
La porta USB 3 supporta USB Super Speed (USB3.0).



Alloggiamento CAM (modulo ad accesso condizionato)

LAN

Connettore 10BASE-T/100BASE-TX (La velocità di connessione può variare a seconda delle caratteristiche operative della rete. La velocità di comunicazione 10BASE-T/100BASE-TX e la qualità di comunicazione non sono garantite con questo televisore.)

 DC IN 24 V (solo per i modelli con alimentatore esterno)

Presa per l'alimentatore esterno

IR BLASTER^{*1}

Ingresso cavo IR Blaster (minijack)

Altri

Accessori opzionali

Staffa di montaggio a parete: SU-WL845 (Solo KD-75XE94xx, KD-65XE93xx)

Staffa di montaggio a parete: SU-WL840 (Solo KD-55XE93xx)

Staffa di montaggio a parete: SU-WL450 (Solo KD-65/55XE93xx)

Temperatura di funzionamento

Da 0 °C a 40 °C

Umidità di funzionamento

Dal 10 % all'80 % di u. r. (in assenza di condensa)

Potenza, caratteristiche prodotto e altro

Requisiti di alimentazione

tranne i modelli con alimentatore esterno

220 V - 240 V CA, 50 Hz

solo per i modelli con alimentatore esterno

24 V DC con alimentatore esterno

Valori nominali: ingresso 220 V - 240 V CA, 50 Hz

Classe di efficienza energetica

KD-75XE94xx: B

KD-65XE93xx: A

KD-55XE93xx: B

Dimensioni schermo (diagonale)

(Approssimative)

KD-75XE94xx: 189,3 cm / 75 pollici

KD-65XE93xx: 163,9 cm / 65 pollici

KD-55XE93xx: 138,8 cm / 55 pollici

Potenza assorbita

in modalità [Standard]

KD-75XE94xx: 298 W

KD-65XE93xx: 164 W

KD-55XE93xx: 137 W

in modalità [Brillante]

KD-75XE9405: 495 W

KD-65XE9305: 294 W

KD-55XE9305: 227 W

Consumo energetico medio annuo^{*2}

KD-75XE94xx: 413 kWh

KD-65XE93xx: 227 kWh

KD-55XE93xx: 190 kWh

Potenza assorbita in modalità standby^{*3*4}

0,50 W (27 W durante l'aggiornamento software o della Guida TV elettronica)

Risoluzione schermo

3.840 punti (orizzontale) × 2.160 linee (verticale)

Valori nominali uscita

USB 1/2: 5 V, , 500 mA MAX

USB 3: 5 V, , 900 mA MAX

Dimensioni (Approssimativo) (l × a × p)

con supporto da tavolo

KD-75XE94xx: 167,3 × 103,7 × 32,5 cm

KD-65XE93xx: 145,1 × 91,3 × 29,5 cm

KD-55XE93xx: 123,2 × 79,0 × 28,2 cm

senza supporto da tavolo

KD-75XE94xx: 167,3 × 96,2 × 6,2 cm

KD-65XE93xx: 145,1 × 83,8 × 3,9 cm

KD-55XE93xx: 123,2 × 71,5 × 4,0 cm

Peso (Approssimativo)

con supporto da tavolo

KD-75XE94xx: 47,6 kg

KD-65XE93xx: 42,4 kg

KD-55XE93xx: 32,6 kg

senza supporto da tavolo

KD-75XE94xx: 42,8 kg

KD-65XE93xx: 38,2 kg

KD-55XE93xx: 28,6 kg

*1 Solo per alcune Regioni / Nazioni / Modelli TV.

*2 Consumo energetico annuale, basato sul consumo di corrente di un televisore che funzioni 4 ore al giorno per 365 giorni. Il consumo energetico effettivo dipenderà dal modo in cui verrà utilizzato il televisore.

*3 Il valore dell'assorbimento di potenza specificato in stand-by viene raggiunto dopo alcuni minuti dallo spegnimento, cioè dopo che il televisore avrà terminato tutti i processi interni.

*4 Quando la TV è connessa alla rete, il consumo energetico in standby aumenta.

Nota

- Rimuovere il coperchio dell'alloggiamento CAM (Conditional Access Module, modulo di accesso condizionale) del televisore esclusivamente per inserire una smart card in CAM.
- La disponibilità degli accessori opzionali dipende dai paesi/dalle regioni/dai modelli di televisore/dalle scorte.
- Design e caratteristiche tecniche sono soggetti a modifiche senza preavviso.

Note sul funzionamento della TV Digitale

- TV digitale (DVB terrestre, satellite e via cavo), servizi interattivi e funzioni di rete potrebbero non essere disponibili in tutti i Paesi o regioni. Alcune funzioni potrebbero non essere abilitate e potrebbero non funzionare correttamente con alcuni provider e ambienti di rete. Alcuni provider di servizi TV potrebbero applicare tariffe per i loro servizi.

- Questo televisore supporta trasmissione digitale con i codec MPEG-2, H.264/ MPEG-4 AVC e H.265/HEVC, ma non si garantisce la compatibilità con tutti i segnali dell'operatore/del servizio, che potrebbero cambiare nel tempo.

Informazioni sui marchi

- I termini HDMI e HDMI High-Definition Multimedia Interface e il logo HDMI sono marchi di fabbrica o marchi di fabbrica registrati di HDMI Licensing LLC negli Stati Uniti e in altri Paesi.
- Prodotto su licenza di Dolby Laboratories. Dolby, Dolby Audio e il simbolo della doppia "D" sono marchi depositati di Dolby Laboratories.
- "BRAVIA" e BRAVIA sono marchi depositati di Sony Corporation.
- Gracenote, Gracenote eyeQ, Gracenote VideoID, Gracenote Video Explore, il logo e il logo tipo Gracenote, nonché il logo "Powered by Gracenote" sono marchi di fabbrica o marchi di fabbrica registrati di Gracenote negli Stati Uniti e/o in altri paesi.
- Opera® Devices SDK. Copyright 1995-2016 Opera TV AS. All rights reserved.
- Wi-Fi, Wi-Fi Direct, Miracast, Wi-Fi Protected Setup e il logo Wi-Fi CERTIFIED sono marchi di fabbrica o marchi di fabbrica registrati di Wi-Fi Alliance.
- Per i brevetti DTS, consultare il sito <http://patents.dts.com>. Prodotto su licenza di DTS, Inc. DTS, il simbolo, & DTS e il simbolo insieme sono marchi di fabbrica registrati e DTS Digital Surround è un marchio di fabbrica di DTS, Inc. © DTS, Inc. Tutti i diritti riservati.
- Il marchio denominativo e i loghi Bluetooth® sono marchi registrati di proprietà di Bluetooth SIG, Inc. e sono utilizzati da Sony Corporation su licenza. Tutti gli altri marchi di fabbrica o nomi commerciali sono di proprietà delle rispettive aziende.
- DiSEqC™ è un marchio depositato di EUTELSAT. Questo televisore supporta DiSEqC 1.0 ma non è progettato per il controllo di antenne motorizzate.

- TUXERA è un marchio di fabbrica registrato di Tuxera Inc. negli Stati Uniti e in altri Paesi.
- Il logo USB-IF SuperSpeed USB Trident è un marchio di fabbrica registrato di USB Implementers Forum, Inc. 

Innehållsförteckning

VIKTIGT MEDDELANDE	2
Säkerhetsinformation	3
Säkerhetsföreskrifter	6
Delar och reglage	8
Kontroller och indikatorer	8
Använda fjärrkontrollen	9
Beskrivning av fjärrkontrollens delar	9
Kopplingsschema	11
Montera TV:n på väggen	13
Använda väggfästet (tillval)	13
SU-WL845 (KD-75XE94xx, KD-65XE93xx), SU-WL840 (KD-55XE93xx)	14
SU-WL450 (KD-65/55XE93xx endast)	14
KD-75XE94xx, KD-55XE93xx endast	16
Felsökning	19
Problem och lösningar	19
Specifikationer	20

Internetanslutning och datasekretess

Denna produkt ansluter till internet under första inställningen så fort ett nätverk är anslutet för att bekräfta internetanslutning, och senare för att konfigurera Hemskärmen. Din IP-adress används i dessa och i alla andra internetanslutningar. Om du inte vill att din IP-adress används alls, ställ inte in den trådlösa internetfunktionen och anslut inte en internetkabel. Se informationen om sekretess som visas på inställningsskärmarna för mer information om internetanslutningar.

Inledning

Tack för att du har valt denna produkt från Sony. Innan du använder TV:n bör du läsa igenom den här bruksanvisningen noga och spara den för framtida bruk.

Anmärkning

- Innan du slår på TV:n ska du läsa "Säkerhetsinformation" (sidan 3).
- De bilder och illustrationer som används i startguiden och i denna handbok är bara referenser och kan skilja sig från utseendet på den faktiska produkten.
- "xx" som visas i modellnamnet motsvarar en numerisk siffra som har med design, färg eller TV-system att göra.

Startguidens placering

Startguiden är placerad på dynan inuti TV-kartongen.

Hjälp/Hjälpguide

Hjälpfunktionen innehåller massor av information om din TV. För att använda hjälpfunktionen, tryck på **HELP** på fjärrkontrollen. Du hittar användning och felsökning i listan eller via nyckelordssökning. Välj [Hjälpguide] i hjälpmenyen för att visa användarhandboken. Om du ansluter din TV till Internet, uppdateras hjälpfunktionen och informationen.

Identifieringsetikettens placering

Etiketter för modellnr, tillverkningsdatum (år/månad) och strömförsörjning finns på TV:ns eller förpackningens baksida. Du kan hitta dem genom att ta bort stativskyddet och mittskyddet.

För modeller med medföljande nätadapter:

Etiketter för nätadapters modellnr och serienr sitter på nätadapters undersida.

VARNING!

FÖR ATT FÖRHINDRA
ATT BRAND SPRIDS
SKA LEVANDE LJUS ELLER
ÖPPNA LÅGOR ALLTID
HÅLLAS PÅ AVSTÅND FRÅN
PRODUKTEN.



VIKTIGT MEDDELANDE

Denna produkt har tillverkats av eller på uppdrag av Sony Corporation, 1-7-1 Konan Minato-ku Tokyo, 108-0075 Japan. Frågor som rör produkternas överensstämmelse, grundar sig på Europeiska unionens lagstiftning skall ställas till den auktoriserade representanten, Sony Belgium, bijkantor van Sony Europe Limited, Da Vincilaan 7-D1, 1935 Zaventem, Belgien. För service och garantiärenden, vänligen se de adresser som finns i de separata service och garantihandlingarna.

Meddelande för radioutrustning



Härmed intygar Sony Corporation att radioutrustningstyperna KD-75XE9405, KD-65XE9305, KD-55XE9305 står i överensstämmelse med de nödvändiga kraven och andra tillämpliga bestämmelser i direktiv 1999/5/EG. För mer detaljer, gå till följande webbplats: <http://www.compliance.sony.de/>

Denna radioutrustning kan användas inom EU utan att tillämpliga krav angående användning av radiospektrum bryts.

Meddelande till kunder: följande information gäller endast för utrustning som sålts i länder där EU-direktiv gäller.

Trådlösa TV-system kan användas i följande länder:

AT, BE, HR, CY, CZ, DK, EE, FI, FR, DE, EL, HU, IE, IT, LV, LT, LU, MT, NL, PL, PT, SK, SI, ES, SE, UK, IS, LI, NO, CH, BG, RO, TR, AL, BA, MK, MD, RS, ME, Kosovo

Denna utrustning kan användas i andra icke-europeiska länder.

Säkerhetsinformation

VARNING

Batterier får inte utsättas för hög temperatur, exempelvis från solljus, eld och liknande.

Placera aldrig en TV-apparat på en instabil plats. En TV-apparat kan falla ner och orsaka allvarlig personskada eller dödsfall. Många personsador, speciellt för barn, kan undvikas genom att enkla försiktighetsåtgärder vidtas, som att:

- Använda höljen eller stativ som rekommenderas av TV-apparatens tillverkare.
- Endast använda möbler som säkert stöder TV-apparaten.
- Försäkra sig om att TV-apparaten inte skjuter fram över den stödjande möbels kant.
- Inte placera TV-apparaten på någon hög möbel (till exempel skåp eller bokhyllor) utan att förankra både möbeln och TV-apparaten mot ett passande stöd.
- Inte placera TV-apparaten på tyg eller andra material som kan finnas mellan TV-apparaten och stödjande möbel.
- Lära barn om farorna med att klättra på möbler för att nå TV-apparaten eller dess kontroller.

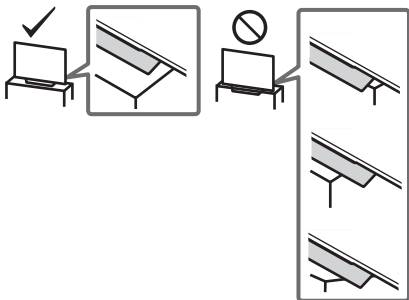
Om din befintliga TV-apparat ska behållas och omplaceras bör samma aktsamhet som ovan tillämpas.

Installation

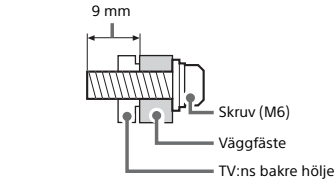
Installera och använd TV:n enligt följande anvisningar för att undvika brandrisk, elektriska stötar eller skador på person eller egendom.

Installation

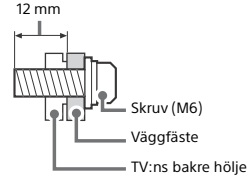
- TV:n bör placeras nära ett lätt åtkomligt eluttag.
- Placera TV:n på en stabil, plan yta för att undvika att den faller ner och orsakar personskada eller egendomsskada.
- Placera TV:n på en plats där den inte kan dras, tryckas eller vältras omkull.
- Montera TV:n så att TV:ns bordsstativ inte skjuter ut från TV-bänken (medföljer ej). Om bordsstativet skjuter ut från TV-bänken, kan det hända att TV:n välter, faller i golvet och orsakar personskada eller skada på TV:n.



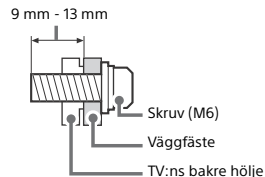
- Endast en behörig servicetekniker bör utföra vägginstallationer.
- Av säkerhetsskäl rekommenderar vi bestämt att du endast använder tillbehör från Sony, inklusive:
 - Väggfäste SU-WL845 (KD-75XE94xx, KD-65XE93xx endast)
 - Väggfäste SU-WL840 (KD-55XE93xx endast)
 - Väggfäste SU-WL450 (KD-65/55XE93xx endast)
- Använd de skruvar som levererades med väggfästet när väggfästet monteras på TV:n. De medföljande skruvarna är utformade enligt bilden mätt från väggfästets kontaktyta. Skruvarnas diameter och längd varierar beroende på väggfästets modell.
- Användning av andra skruvar kan skada TV:n internt eller medföra att den faller ned.
 - Väggfäste (tillval) (SU-WL845, SU-WL840 endast)



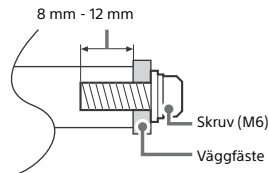
Undre sida



– Väggfäste (tillval) (Utom SU-WL845, SU-WL840)
KD-75XE94xx

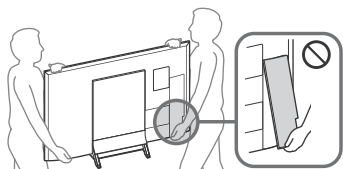
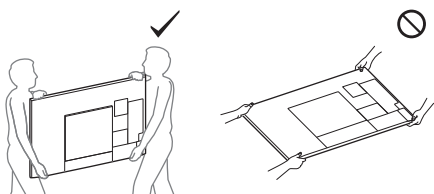


KD-65/55XE93xx

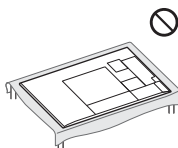


Transport

- Lossa alla kablar från TV:n innan du transporterar den.
- Det krävs två eller tre personer för att bära en stor TV-apparat.
- När TV:n ska transporteras bör den hållas enligt nedan. Tryck inte på LCD-panelen eller ramen runt bildskärmen.

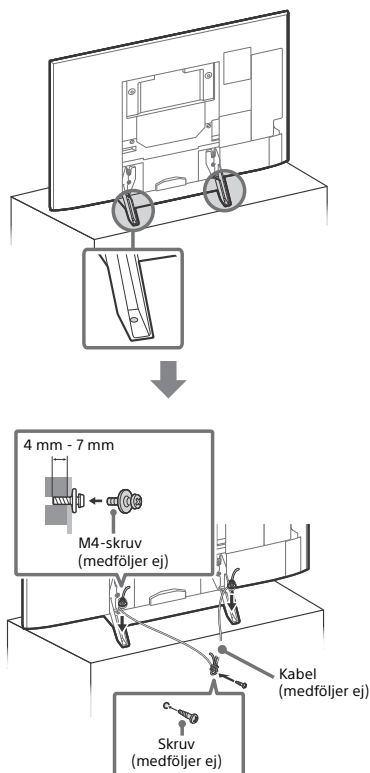


- Lägg inte TV:n ner när du hanterar eller monterar den.



- Se till att TV:n inte utsätts för stötar eller kraftiga vibrationer när den transporteras.
- Du bör använda originalkartongen och dess emballage när du sänder in TV:n för reparation eller om du flyttar.

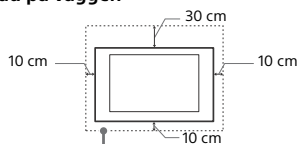
Förebyggande av fall



Ventilation

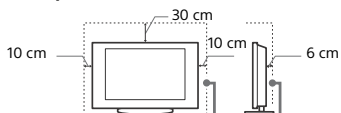
- Täck inte för och stoppa inte in några föremål i TV:ns ventilationshål.
- Lämna fritt utrymme runt TV:n enligt nedanstående figur.
- Vi rekommenderar bestämt att du använder Sonys väggfäste för att säkerställa tillräcklig luftcirkulation.

Monterad på väggen



Lämna minst så här mycket fritt utrymme runt TV:n.

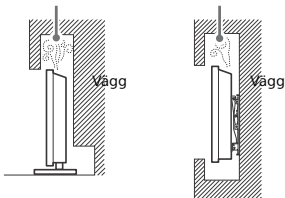
Monterad på stativ



Lämna minst så här mycket fritt utrymme runt TV:n.

- För att säkerställa korrekt ventilation och förhindra ansamling av damm eller smuts:
 - Lägg inte TV:n platt ned och installera den inte upp-och-ned, bakvänd eller vänd sidledes.
 - Placera inte TV:n på en hylla eller matta, i en säng eller i en garderob.
 - Täck inte över TV:n med tyg såsom gardiner och lägg inte tidningar och liknande på den.
 - Installera inte TV:n såsom figurerna nedan visar.

Luften kan inte cirkulera fritt.



Nätkabel

Hantera nätkabeln och eluttaget enligt följande anvisningar för att undvika brandrisk, elektriska stötar eller skador på person eller egendom:

- Använd endast nätkablar från Sony och inga andra märken.
- För in stickkontakten hela vägen i eluttaget.
- Anslut TV:n till ett eluttag som levererar 220 volt - 240 volt AC.
- För din egen säkerhet, lossa nätkabeln från eluttaget före ledningsdragning och se till att du inte snavar på kablarna.
- Lossa nätkabeln från eluttaget innan du flyttar TV:n eller utför något arbete på den.
- Håll nätkabeln på avstånd från värmekällor.
- Lossa stickkontakten från eluttaget och rengör den regelbundet. Om kontakten täcks med damm och tar upp fukt kan isoleringen försämrats, vilket kan orsaka brand.

Anmärkning

- Använd inte medföljande nätkabel tillsammans med annan utrustning.
- Kläm, böj eller vrid inte nätkabeln för mycket. Ledarna inne i kabeln kan exponeras eller gå av.
- Modifiera inte nätkabeln.
- Ställ inga tunga föremål på nätkabeln.
- Dra inte i själva kabeln när du lossar nätkabeln från eluttaget - ta tag i stickkontakten.
- Anslut inte alltför många apparater till ett och samma eluttag.
- Använd inte eluttag som inte passar till stickkontakten.

NOTERING OM NÄTADAPTER (enbart på modeller med nätadapter)

Varning!

Utsätt inte den här apparaten för regn eller fukt för att undvika risk för brand eller elstötar.

Att placera kärl med vätska, t.ex. blomvaser, på enheten medför risk för elektriska stötar och fara för brand. Placera inte denna utrustning i ett trångt utrymme, som till exempel i en bokhylla eller liknande.

- Se till så att nätkontakten ansluts till ett lättåtkomligt eluttag i närheten av utrustningen.
- Använd medföljande nätadapter och nätkabel.
- Använd inte någon annan nätadapter. Det kan orsaka funktionsstörningar.
- Anslut nätadaptern till ett lättåtkomligt eluttag.
- Vira inte nätkabeln runt nätadaptern. Det kan hända att kabeln går sönder och/eller orsakar funktionsfel på mediemottagaren.



- Vidrör inte nätadaptern med våta händer.
- Om nätadaptern inte verkar fungera korrekt bör du omedelbart dra ut den från eluttaget.
- Systemet är inte bortkopplat från elnätet så länge kontakten sitter i ett vägguttag, även om du stängt av själva systemet.
- Det kan hända att din hand blir varm när du rör vid nätadaptern eftersom den blir varm när den används under en längre tid.

Förbjuden användning

Installera inte och använd inte TV:n på platser eller i miljöer/situationer som beskrivs nedan. Annars kan felfunktioner uppstå i TV:n som kan orsaka brandtillbud, elektriska stötar eller skador på person eller egendom.

Platser:

- Utomhus (i direkt solsen), på stranden, i en båt eller någon annan typ av fartyg, i ett fordon, på sjukvårdsinrättningar, på ostadiga platser, nära vatten, regn, fukt eller rök.

Miljöer:

- Platser som är mycket varma, fuktiga eller dammiga, där insekter kan sig in i TV:n, där TV:n kan utsättas för mekaniska vibrationer eller i närheten av brinnande föremål (t.ex. levande ljus). TV-apparaten får inte utsättas för dropp eller stänk och vätskebehållare såsom vasor får inte ställas på den.

Situationer:

- Använd när dina händer är våta, med kabinettet borttaget eller med tillval som inte rekommenderas av tillverkaren. Koppla loss TV:n från eluttaget och antennen när det åskar.
- Installera TV:n så att den sticker ut i ett öppet utrymme. Det kan leda till materiella skador eller personskadorna om en person eller något föremål stöter in i TV:n.



- Placera TV:n i ett fuktigt eller dammig utrymme, eller i ett rum med oljig rök eller ånga (nära köksbänkar eller luftfuktare). Det kan orsaka elektriska stötar eller att TV:n blir skev.



- Installera TV:n på platser där denna utsätts för extrema temperaturer som direkt solljus, nära en värm radiator eller en värmeventil. TV:n kan överhettas i ett sådant förhållande vilket kan orsaka deformation av höljen och/eller fel på TV:n.



- Om TV:n placeras i ett omklädesrum för ett allmänt bad eller varma källor kan TV:n skadas av luftburen svavel etc.



- Utsätt inte skärmen för direktbelysning eller solljus för att du ska erhålla den bästa bildkvaliteten.
- Undvik att flytta TV:n från en kall till en varm plats. Plötsliga förändringar i rumstemperaturen kan orsaka kondensbildning. Detta kan göra att TV:n visar en dålig bildkvalitet och/eller dålig färg. Om detta sker måste fukten avdunsta helt innan TV:n startas.

Trasiga delar:

- Kasta aldrig något mot TV:n. Skärmglasset kan gå sönder och orsaka allvarliga personskadorna.
- Om TV:n hölje spricker, koppla loss TV:n från eluttaget innan du tar i den. Annars kan detta orsaka elchock.

När TV:n inte används

- Om du inte tänker använda TV:n på flera dagar bör du koppla loss TV:n från eluttaget av miljö- och säkerhetsskäl.
- Eftersom TV-apparaten inte kopplas bort från nätspänningen när du endast stänger av den måste du även lossa stickkontakten från eluttaget för att helt koppla bort TV:n.
- Vissa TV-apparater kan ha funktioner som kräver att TV:n står kvar i standby-läge för att den skall fungera korrekt.

Barnens säkerhet

- Se till att barn inte klättrar på TV:n.
- Håll små tillbehör utom räckhåll för barn så att de inte råkar sväljas av misstag.

Om följande problem uppstår...

Stäng av TV:n och lossa omedelbart stickkontakten från eluttaget om något av följande problem uppstår.

Kontakta din återförsäljare eller ett Sony servicecenter för att få TV:n undersökt av en behörig servicetekniker.

Om:

- Nätkabeln skadas.
- Eluttaget inte passar till stickkontakten.
- TV-apparaten skadas genom att den tappas, utsätts för hårda stötar eller genom att föremål kastas på den.
- Vätska eller något föremål råkar hamna i höljets öppningar.

Om LCD-TV:ns temperatur

När LCD-TV:n används under en längre tid kan området runt panelen bli varmt. Du kan känna denna värme om du tar på panelen med handen.

Varning!

Utrustning som är kopplad till skyddsjord via jordat vägguttag och/eller via annan utrustning och samtidigt är kopplad till kabel-TV nät kan i vissa fall medföra risk för brand.

För att undvika detta skall vid anslutning av utrustningen till kabel-TV nät galvanisk isolator finnas mellan utrustningen och kabel-TV nätet.

Säkerhetsföreskrifter

Se på TV

- Du bör titta på TV i ett rum med måttlig belysning. TV-tittande i dålig belysning eller under långa perioder påfrestar ögonen.
- När du använder hörlurar, ställ in ljudvolymen på en måttlig nivå så att du inte skadar din hörsel.

LCD-skärm

- Trots att LCD-skärmen är tillverkad med högteknologisk precision och 99,99 procent eller mer av bildpunkterna är effektiva kan svarta punkter eller färgade punkter (röda, blå eller gröna) framträda konstant på LCD-skärmen. Detta är en strukturell egenskap hos LCD-skärmar och indikerar inte något fel.
- Tryck inte på och repa inte frontfilten. Placera inte heller några föremål ovanpå denna TV-apparat. Bilden kan bli ojämn och LCD-skärmen kan skadas.
- Om TV:n används på en kall plats kan fläckar framträda i bilden eller bilden kan bli mörk. Detta indikerar inte på någon felfunktion. Fenomenet försvinner när temperaturen stiger till normal nivå.
- En spökbild kan uppstå om en stillbild ligger kvar på skärmen under en längre tid. Den försvinner troligtvis efter en stund.
- Bildskärmen och höljets blir varma när TV:n används. Detta är inget fel.
- LCD-skärmen innehåller en liten mängd flytande kristaller.
- Kassera TV:n enligt lokala lagar och bestämmelser.

Hantering och rengöring av TV:ns bildskärm/hölje

Var noga med att lossa nätkabeln från eluttaget före rengöring. Observera följande försiktighetsåtgärder för att undvika degradering av material eller skärmens ytskikt.

- Använd en mjuk duk när du dammar av bildskärmen/höjljet. Smuts som är svår att få bort kan du avlägsna genom att fukta duken med ett mildt, utspätt rengöringsmedel.
- Spreja aldrig vatten eller rengöringsmedel direkt på TV-apparaten. Det kan droppa ner på skärmens underkant eller dess yttre delar och komma in i TV-apparaten, vilket kan orsaka skador på TV-apparaten.
- Använd aldrig skurdular med slipmedel, alkaliska eller sura rengöringsmedel, skurpulver eller skarpa lösningsmedel såsom alkohol, bensin, thinner eller insektspray. Om sådana material används, eller vid långvarig kontakt med gummi- eller vinylmaterial, kan skärmens ytskikt och höljets skadas.



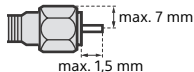
- Rör inte TV:n om din hand är täckt med något kemiskt medel som handkräm eller solskyddskräm.
- Vi rekommenderar att du regelbundet dammsuger ventilationsöppningarna för att säkerställa fullgod ventilation.
- När du justerar TV:ns vinkel, rör den försiktigt så att TV:n inte flyttar sig eller glider av underlaget.

Extra utrustning

- Håll extra tillbehör och utrustning som avger elektromagnetisk strålning på avstånd från TV:n. Annars kan bildstörningar och/eller akustiskt brus uppstå.
- Denna utrustning har testats och funnits följa gränsvärdena som anges i EMC-direktivet vid användning av en anslutningssignalkabel som är kortare än 3 meter.
- Denna utrustning har testats och funnits följa gränsvärdena som anges i EMC-direktivet vid användning av en RF-kabel som är kortare än 30 meter för mark-/satellit-/CATV-uttag.

Rekommendation för kontakten av F-typ

Den inre tråden får inte skjuta ut mer 1,5 mm från anslutningsdelen.



(Referensritning för kontakten av F-typ)

Trådlös funktion

- Slå inte på enheten i närheten av medicinsk utrustning (pacemaker etc.), eftersom detta kan leda till felfunktion på den medicinska utrustningen.
- Även om den här enheten sänder/tar emot kodade signaler, bör du vara försiktig med icke- auktoriserat upptagande. Vi kan inte hållas ansvariga för problem som uppstår.
- Denna utrustning ska installeras och användas separerat med ett avstånd på 20 cm eller mer mellan denna enhets antenn och någon persons kropp.

Försiktighet vid hantering av fjärrkontrollen

- Var noga med att sätta i batterierna åt rätt håll (+ / -).
- Använd inte olika typer av batterier tillsammans och blanda inte gamla och nya batterier.
- Kassera batterier enligt gällande miljöbestämmelser. I vissa regioner kan särskilda bestämmelser gälla för kassering av batterier. Rådfråga de lokala myndigheterna.
- Hantera fjärrkontrollen med varsamhet. Se till att inte tappa eller trampa på den och spill inga vätskor på den.
- Placera inte fjärrkontrollen i närheten av värmeållor, i direkt solljus eller i ett fuktigt rum.

Kassering av TV-apparaten



Omhändertagande av gamla elektriska och elektroniska produkter (Användbar i den Europeiska Unionen och andra Europeiska länder med separata insamlingsssystem)

Symbolen på produkten eller emballaget anger att produkten inte får hanteras som hushållsavfall. Den skall i stället lämnas in på uppsamlingsplats för återvinning av el- och elektronikkomponenter. Genom att säkerställa att produkten hanteras på rätt sätt bidrar du till att förebygga eventuella negativa miljö- och hälsoeffekter som kan uppstå om produkten kasseras som vanligt avfall. Återvinning av material hjälper till att bibehålla naturens resurser. För ytterligare upplysningar om återvinning bör du kontakta lokala myndigheter eller sophämtningstjänst eller affären där du köpte varan.



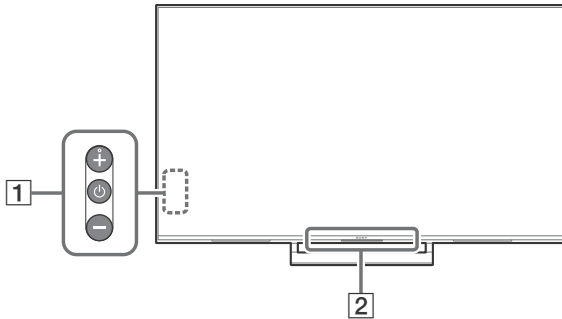
Avfallsinstruktion rörande förbrukade batterier (gäller i EU och andra europeiska länder med separata insamlingssystem)

Denna symbol på batteriet eller på förpackningen betyder att batteriet inte skall

behandlas som vanligt hushållsavfall. På vissa batterier kan denna symbol användas i kombination med en kemisk symbol. Den kemiska symbolen för kvicksilver (Hg) eller bly (Pb) läggs till om batteriet innehåller mer än 0,0005 % kvicksilver eller 0,004 % bly. För att säkerställa för att dessa batterier blir kastade på ett riktigt sätt, kommer du att bidra till att skydda miljön och människors hälsa från potentiella negativa konsekvenser som annars kunnat blivit orsakat av felaktig avfallshantering. Återvinning av materialet vill bidra till att bevara naturens resurser. När det gäller produkter som av säkerhet, prestanda eller dataintegritetsskäl kräver permanent anslutning av ett inbyggt batteri, bör detta batteri bytas av en auktoriserad servicetekniker. För att försäkra att batteriet blir behandlat korrekt skall det levereras till återvinningsstation för elektriska produkter när det är förbrukat. För alla andra batterier, vänligen se avsnittet om hur man tar bort batteriet på ett säkert sätt. Lämna batteriet på en återvinningsstation för förbrukade batterier. För mer detaljerad information rörande korrekt avfallshantering av denna produkt eller batterier, vänligen kontakta ditt kommunkontor, din avfallsstation eller din återförsäljare där du köpt produkten.

Delar och reglage

Kontroller och indikatorer



1 ⏻ (Strömbrytare) +/-

När TV:n är avstängd,

Tryck på ⏻ för att slå på strömmen.

När TV:n är påslagen,

Tryck och håll nere ⏻ för att stänga av.

Tryck på ⏻ flera gånger för att byta funktion och tryck sedan på knappen + eller - för att:

- Justera volymen.
- Välj kanal.
- Välj ingångskälla för TV:n.

2 Fjärrkontroll-sensor* / Ljussensor* / LED-belysning

LED-belysningen tänds eller blinkar enligt TV:ns status.

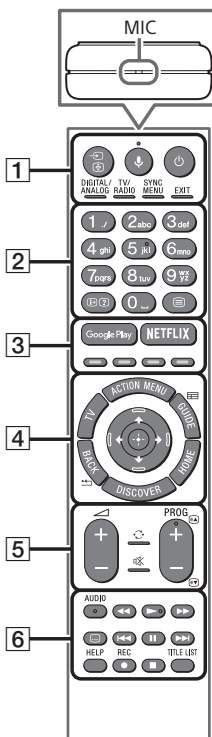
Se Hjälpguiden för mer information.

* Placera ingenting nära sensorn.

Använda fjärrkontrollen

Beskrivning av fjärrkontrollens delar

Fjärrkontrollknappens form, plats, tillgänglighet och funktion kan variera beroende på region/land/TV-modell.



1 / (Ingångsväljare/Text halt)

I TV-läget: Visa och välj ingångskällan.
I textläget: Frys aktuell sida.

(Mikrofon)

Använd röstfunktion. (dvs. röststyrd sökning av innehåll.)

(TV-standby)

Slå på eller stäng av TV:n (standbyläge).

DIGITAL/ANALOG

Växla mellan digitalt och analogt läge.

TV/RADIO

Växla mellan sändningar från TV eller RADIO.

SYNC MENU

Visa BRAVIA Sync-menyen.

EXIT

Återgå till den föregående skärmen eller avsluta menyen. När en interaktiv programtjänst är tillgänglig trycker du för att avsluta tjänsten.

2 Sifferknappar

/ (Visa info/text)

Visa information.

(Text)

Visa textinformation.

3 Google Play

Få tillgång till onlinetjänsten "Google Play".

NETFLIX (Endast för begränsad region/land/TV-modell)

Få tillgång till onlinetjänsten "NETFLIX".

Färgknappar

Utför motsvarande funktion vid tillfället.

4 ACTION MENU

Visa en lista över relaterade funktioner.

TV

- Växla till en TV-kanal eller ingång från annat program.
- Sätt på TV:n för att se en TV-kanal eller ingång från ett annat program.

GUIDE/

Visa den digitala programguiden.

BACK/

Återgå till föregående skärm.

HOME

Visa TV:ns Home-meny.

DISCOVER

Ta fram innehållsfältet för att söka efter innehåll.

▲/▼/↔/⊕ (Välj alternativ/Enter)

5 +/- (Volym)

Justera volymen.

(Hoppa)

Hoppa fram och tillbaka mellan två kanaler eller ingångar. TV:n växlar mellan den aktuella kanalen eller ingången och den senaste kanalen eller ingången som valdes.

(Ljud av)

Stäng av ljudet. Tryck igen för att återställa ljudet.

PROG +/-/⏪/⏩

I TV-läget: Välj kanal.

I textläget: Välj nästa (⏪) eller föregående (⏩) sida.

6 AUDIO

Ändra språk för det program som visas.



Använd mediainnehåll på TV:n och ansluten BRAVIA Sync-kompatibel enhet.

(Inställning av textning)

Slå på eller stäng av textning (när funktionen är tillgänglig).

HELP

Visa Hjälpmenyn. Härifrån kan du öppna hjälpguiden.

● REC

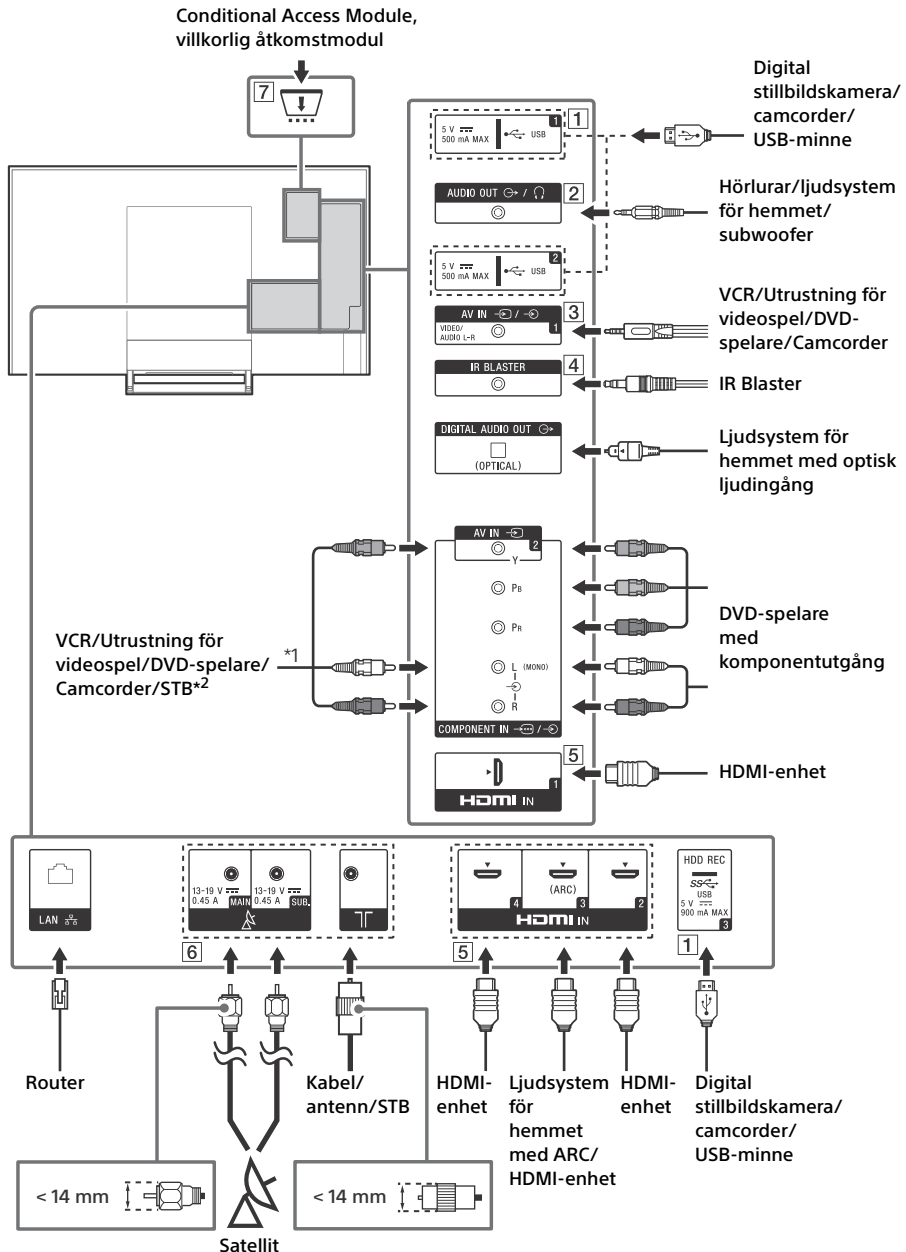
Spela in aktuellt program med USB HDD-inspelningsfunktionen.

TITLE LIST

Visa titellistan.

Kopplingschema

För mer information om anslutningar, se Hjälpguiden genom att trycka på **HELP** på fjärrkontrollen.



SE

1 **USB 1/2, *SS* USB 3 (HDD REC)*³**

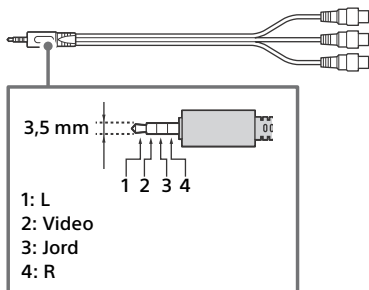
- Om du ansluter en stor USB-enhet kan den störa andra anslutna enheter i närheten.
- Om du ansluter en stor USB-enhet ska den anslutas till USB 1-uttaget.

2 **AUDIO OUT**

- Stöder endast 3-polig stereominikontakt.
- För att lyssna på ljudet från TV:n via ansluten utrustning trycker du på **HOME**. Välj [Inställningar] → [Ljud] → [Hörlurar/ljudutgång] och välj sedan önskat alternativ.

3 **AV IN 1**

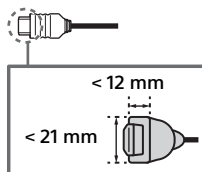
- För en kompositanslutning, använd en analog förlängningskabel (medföljer ej).



4 **IR BLASTER*³**

5 **HDMI IN 1/2/3/4**

- Om du ansluter ett digitalt ljudsystem som är kompatibelt med ARC-tekniken (Audio Return Channel) bör du använda HDMI IN 3. Annars krävs ytterligare en anslutning till DIGITAL AUDIO OUT (OPTICAL).



6 **(Satellitgång), Υ (RF-ingång)**

- Anslutningar för marksändning/kabel och satellit. Anslutningssteg: SUB. → Antenn → MAIN
- Anslut endast till SUB.-uttaget om du använder läget för dubbel mottagning. Undantaget är enkel kabel-TV EN50494.

7 **CAM (Conditional Access Module, villkorlig åtkomstmodul)**

- Tillhandahåller åtkomst till betal-TV-tjänster. Mer information finns i bruksanvisningen som medföljer din CAM.
- Sätt inte in smartkortet direkt i TV:ns CAM-plats. Det måste placeras i CAM-modulen som tillhandahålls av din auktoriserade återförsäljare.
- CAM stöds inte i vissa länder/områden. Fråga din auktoriserade återförsäljare.
- Ett CAM-meddelande kan visas när du växlar till ett digitalt program efter att ha använt internetvideo.

*1 Anslut till L (MONO)-ljuduttaget när du ansluter monoutrustning.

*2 För en extern enhet som bara har SCART AV OUT, använd en SCART-RCA-adapter.

*3 Endast för begränsad region/land/TV-modell.

Montera TV:n på väggen

Använda väggfästet (tillval)

I bruksanvisningen för denna TV visas endast stegen för att förbereda montering av TV:n innan själva installationen på väggen utförs.

Till kunden:

Sony rekommenderar starkt att du låter din Sony-återförsäljare eller en auktoriserad installatör installera TV:n, både av säkerhetsskäl och för att skydda produkten. Försök inte installera den själv.

Till Sony-återförsäljare och installatörer:

Var ytterst noggrann med säkerheten vid installation, regelbundet underhåll och besiktning av denna produkt.

Denna produkt bör endast installeras av en kunnig installatör som är utbildad i att avgöra om väggen håller för TV:ns vikt. Det kan hända att TV:n faller i golvet och orsakar allvarlig skada om den inte säkras ordentligt under installationen. Sony är inte ansvarigt för eventuella person- eller materialskador som orsakats av felaktig hantering eller felaktig installation, eller av att annat än den specificerade produkten installerats. Dina eventuella lagenliga rättigheter påverkas inte.

Använd väggfästet SU-WL845 (medföljer ej) (endast KD-75XE94xx, KD-65XE93xx), SU-WL840 (medföljer ej) (endast KD-55XE93xx) eller SU-WL450 (medföljer ej) (endast KD-65/55XE93xx) för att installera TV:n på väggen.

Se också bruksanvisningen och installationsguiden som medföljer väggfästet för montering av väggfästet.

Anmärkning

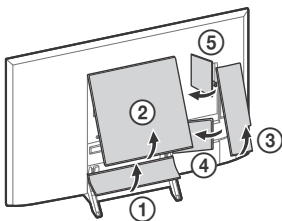
- Förvara alltid de borttagna skruvarna på en säker plats och håll dem borta från barn.
- Se till så att det finns tillräckligt med utrymme på väggen för TV:n och att den håller för en totalvikt på minst sex gånger TV:ns vikt.



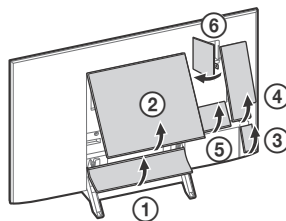
På följande webbplats finns det instruktioner om hur du installerar väggfästet till din TV-modell:
www.sony.eu/tv/wall-mount-bracket-manual

Ta bort stativskyddet och kontaktskydden.

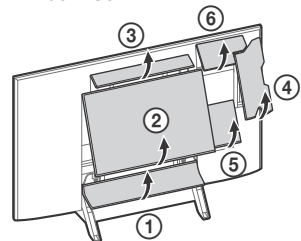
KD-75XE94xx



KD-65XE93xx



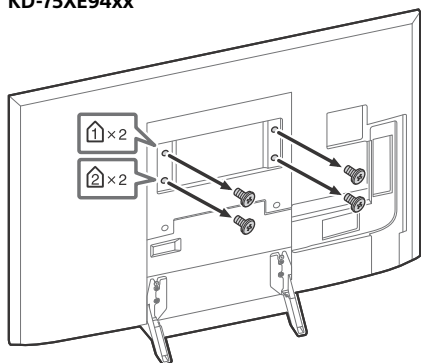
KD-55XE93xx



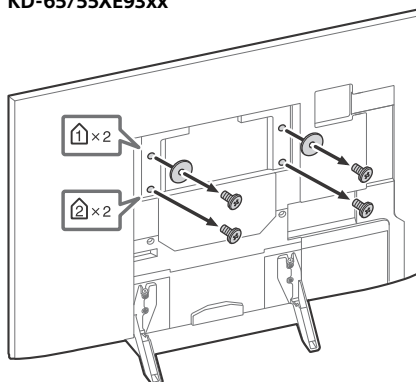
SU-WL845 (KD-75XE94xx, KD-65XE93xx), SU-WL840 (KD-55XE93xx)

Ta bort skruvarna från TV:ns baksida.

KD-75XE94xx

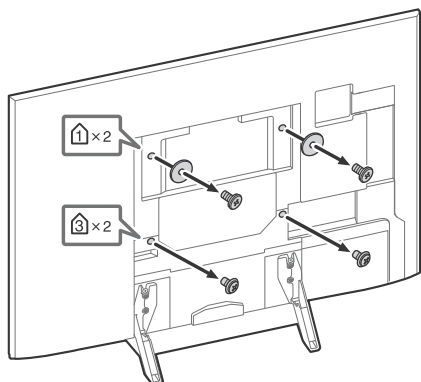


KD-65/55XE93xx

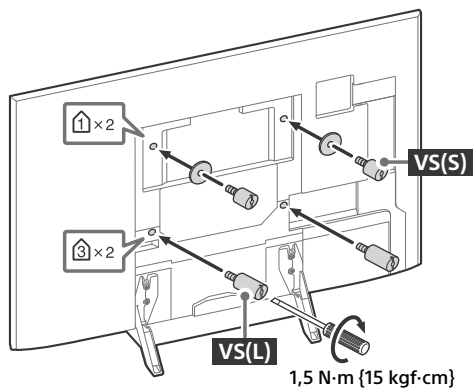


SU-WL450 (KD-65/55XE93xx endast)

1 Ta bort skruvarna från TV:ns baksida.



2 Fäst väggfästanordningen (medföljer TV:n) mot TV:ns baksida (för att få den parallell med väggen).



Anmärkning

- Om du använder en elektrisk skruvdragare, ställ in vridmomentet på ungefär 1,5 N·m {15 kgf·cm}.
- Se till att fästa väggfästanordningen när du sätter fast dem i TV:n.
Använd endast en platt skruvmejsel för att installera väggfästet. Användning av annat verktyg kan resultera i för starkt vridmoment mot väggfästanordningen och skada TV:n.

KD-75XE94xx, KD-55XE93xx endast

Din TV kan monteras på ett väggfäste (medföljer ej) direkt ur kartongen den kommer i. Förbered TV:n för väggfästet innan kablarna ansluts.

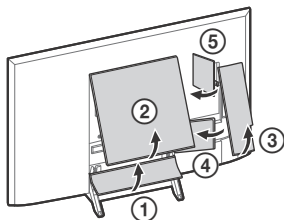
Denna produkt bör endast installeras av en kunnig installatör som är utbildad i att avgöra om väggen håller för TV:ns vikt. Det kan hända att TV:n faller i golvet och orsakar allvarlig skada om den inte säkras ordentligt under installationen. Sony är inte ansvarigt för eventuella person- eller materialskador som orsakats av felaktig hantering eller felaktig installation, eller av att annat än den specificerade produkten installerats. Dina eventuella lagenliga rättigheter påverkas inte.

Sony rekommenderar av säkerhetsskäl och för att skydda produkten, att installationen av din TV på väggen utförs av kunniga personer. Försök inte installera den själv.

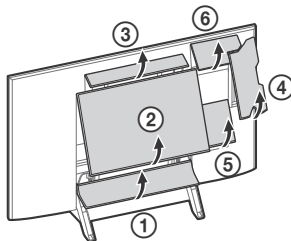
- Följ anvisningarna som levereras med väggfästet för din modell.
- Se till att oanvända skruvar och bordsstativet förvaras på en säker plats tills du åter vill montera bordsstativet. Förvara skruvarna oåtkomligt för små barn.
- Se till så att det finns tillräckligt med utrymme på väggen för TV:n och att den håller för en totalvikt på minst sex gånger TV:ns vikt.

1 Ta bort stativskyddet och kontaktskydden.

KD-75XE94xx

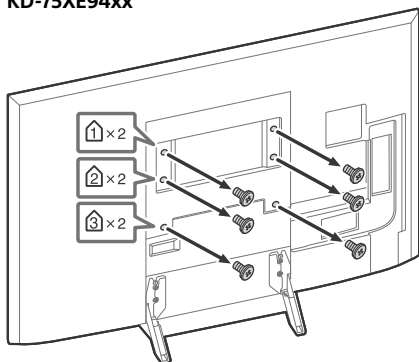


KD-55XE93xx

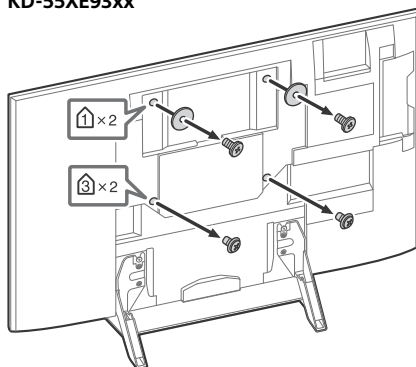


2 Ta bort skruvarna från TV:ns baksida.

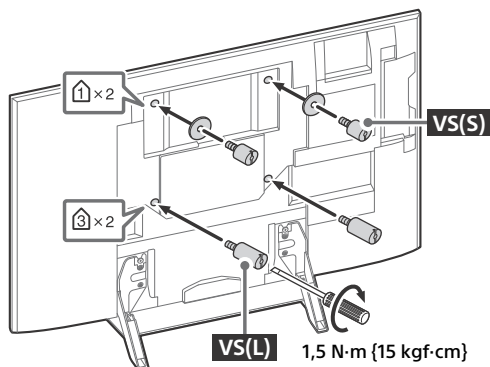
KD-75XE94xx



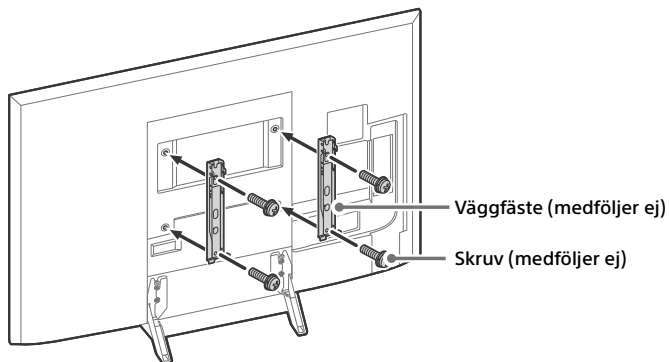
KD-55XE93xx



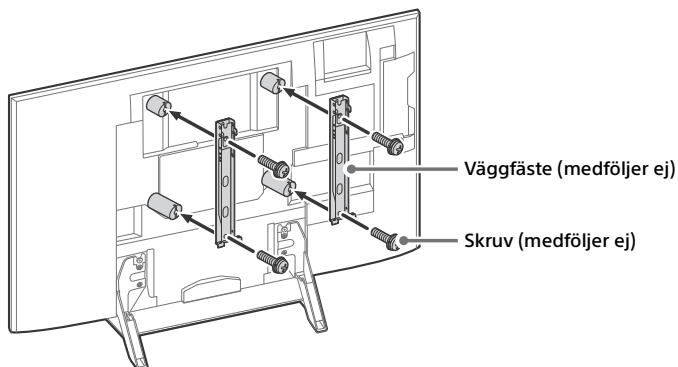
- 3** Fäst väggfästanordningen (medföljer TV:n) mot TV:ns baksida (för att få den parallell med väggen). (KD-55XE93xx endast)



- 4** Fäst väggfästet (medföljer ej) med skruvarna (medföljer ej).
KD-75XE94xx

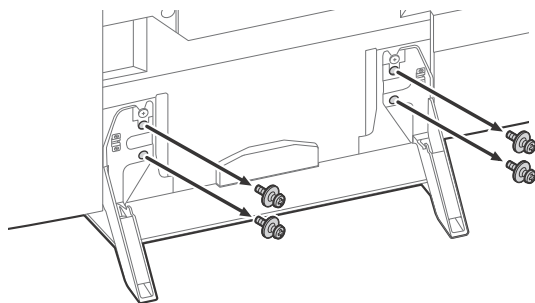


KD-55XE93xx



SE

5 Ta bort bordsstativet från TV:n.



Anmärkning

- Om du använder en elektrisk skruvdragare, ställ in vridmomentet på ungefär 1,5 N·m {15 kgf·cm}.
- Se till att fästa väggfästanordningen när du sätter fast dem i TV:n.
Använd endast en platt skruvmejsel för att installera väggfästet. Användning av annat verktyg kan resultera i för starkt vridmoment mot väggfästanordningen och skada TV:n.
- Du kan inte använda en del av kabelhållarna på TV:ns baksida när du använder ett väggfäste (medföljer ej).

Felsökning

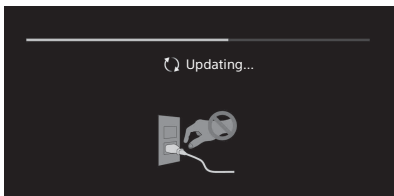
För allmän felsökning för problem som: svart skärm, inget ljud, frusen bild, TV:n reagerar inte, eller nätverket är tappat, utför du följande steg.

- 1 Starta om TV:n genom att trycka på strömbrytarknappen på fjärrkontrollen tills ett meddelande visas. TV:n startar om. Om TV:n inte återställs, försök med att koppla ur TV:n från nätströmmen och ha den ur i två minuter, och koppla sedan i den igen.
- 2 Se Hjälpmenyn genom att trycka på **HELP** på fjärrkontrollen.
- 3 Anslut din TV till Internet och utför en programvaruuppdatering.
- 4 Gå in på Sonys supportwebbplats (information finns på baksidan).

Om meddelandet [En ny programuppdatering för TV-systemet finns tillgänglig...] visas.

Sony rekommenderar dig starkt att uppdatera TV:ns programvara genom att välja [Uppdatera nu]. Dessa programvaruuppdateringar förbättrar din TV-prestanda eller lägger till nya funktioner.

Följande skärm med [Updating...] (Uppdatera...) visas och LED-belysningen blinkar i vitt medan programvaran uppdateras.



Koppla inte ur nätkabeln under programvaruuppdateringen. Uppdateringen av programvaran kanske inte genomförs korrekt om du gör det, vilket kan leda till programvarufel. Programvaruuppdateringar kan ta upp till 15 minuter.

När du ansluter TV:n till elnätet är det kanske inte möjligt att slå på TV:n under en viss tid, även om du trycker på strömbrytarknappen på fjärrkontrollen eller TV:n.

Det tar tid att initiera systemet. Vänta cirka en minut och försök sedan igen.

Problem och lösningar

Om LED-belysningen blinkar röd.

- Räkna hur många gånger den blinkar (intervalltiden är tre sekunder). Starta om TV:n genom att koppla från nätströmmen i två minuter, och starta sedan TV:n. Om problemet kvarstår, koppla ur nätströmmen, och kontakta din återförsäljare eller Sonys servicecenter och ange hur många gånger LED-belysningen blinkar.

Mark-/kabeltjänst kan inte tas emot.

- Kontrollera antenn/kabelanslutningen och förstärkningsinställningarna.
- Välj mark-/kabeltjänst genom att trycka på **DIGITAL/ANALOG** på fjärrkontrollen. Om sändningstjänsten inte visas, tryck på **TV** och tryck sedan på **DIGITAL/ANALOG**.
- Marksignalen kan vara försvagad om det finns en stark signal i närheten. Ställ in [LNA (CH ---)] till [Av] i digitala inställningar.
- Efter att du flyttat till ett nytt hus eller om du försöker ta emot nya tjänster, försök med en tjänstsökning genom att välja [Digital sökning].

Satellitjänst kan inte tas emot.

- Kontrollera satellitkabelanslutningen.
- Om meddelandet [Ingen signal. LNB är överbelastad...] visas, koppla ur nätströmmen. Se sedan till så att inte satellitkabeln är skadad och att satellitsignalledningen inte är kortsluten i satellitkontakten.

Fjärrkontrollen fungerar inte.

- Byt ut batterierna.

Lösenordet till barnlåset för sändningar har glömts av.

- Ange 9999 för PIN-koden och välj [Ändra PIN-kod].

Det blir varmt runt TV:n.

- När TV:n används under en längre tidsperiod blir det varmt runt TV:n. Du kan känna denna värme om du tar på panelen med handen.

Specifikationer

System

Skärmsystem

LCD-skärm (bildskärm med flytande kristaller),
LED-bakgrundsbelysning

TV-system

Beroende på val av land/område/TV-modell

Analogt: B/G, D/K, I

Digitalt: DVB-T/DVB-C

DVB-T2*

Satellit*: DVB-S/DVB-S2

Färgsystem

PAL, SECAM, NTSC3.58 (Endast video), NTSC4.43
(Endast video)

Kanaltäckning

Beroende på val av land/område/TV-modell

Analogt: UHF/VHF/kabel

Digitalt: UHF/VHF/kabel

Satellit*: IF-frekvens 950-2 150 MHz

Ljudutgång

KD-75XE94xx, KD-65XE93xx: 10 W + 10 W + 10 W +
10 W + 10 W + 10 W

KD-55XE93xx: 5 W + 5 W + 10 W + 10 W + 10 W +
10 W

Trådlös teknik

Protokoll IEEE802.11ac/a/b/g/n

(IEEE802.11ac kanske inte finns tillgängligt
beroende på land/region.)

Bluetooth version 4.1

Frekvensband: WLAN 2,4 GHz/5 GHz,

Bluetooth 2,4 GHz

Radiofrekvenseffektsändare: 100 mW MAX

TV-programvaruversion:

PKGEUA

Tryck på **HELP** på fjärrkontrollen för att få reda på
programvaruversionen.

* Vissa TV-apparater har ingen DVB-T2- eller DVB-S/S2-
teknologi eller ingen terminal för satellitantenn.

Uttag för ingångar/utgångar

Antenn/kabel

75 ohms extern anslutning för VHF/UHF

Satellitantenn

Honkontakt av F-Typ, 75 ohm.

DiSEqC 1.0, LNB 13 V/18 V & 22 kHz-ton, Distr. via
enkel kabel-TV EN50494.

AV IN 1

Video/Audio-ingång (minijack)

COMPONENT IN

YPbPr (komponentvideo): 1080p (50, 60 Hz), 1080i
(50, 60 Hz), 720p (50, 60 Hz), 576p, 576i, 480p,
480i

Ljudingång (phonokontakter)

AV IN 2

Videoringång (vanlig phonokontakt med Y-ingång)

HDMI IN 1, 2, 3, 4 (stöd för 4K-upplösning,

HDCP 2.2-kompatibel)

Video:

4096 × 2160p (50, 60 Hz)*1*2, 4096 × 2160p
(24 Hz)*1, 3840 × 2160p (50, 60 Hz)*2,
3840 × 2160p (24, 25, 30 Hz), 1080p (30, 50,
60 Hz), 1080/24p, 1080i (50, 60 Hz), 720p
(30, 50, 60 Hz), 720/24p, 576p, 576i, 480p, 480i,
PC-format

*1 3840 × 2160p visas när 4096 × 2160p matas in.

*2 Endast HDMI IN 2 / 3.

Ljud: 5,1-kanals linjär PCM: 32, 44,1, 48, 88,2, 96,
176,4 och 192 kHz, 16-, 20- och 24-bitars, Dolby
Digital, Dolby Digital Plus och DTS

ARC (Audio Return Channel) (endast HDMI IN 3)

(tvåkanalig linjär PCM: 48 kHz, 16-bitars, Dolby
Digital, Dolby Digital Plus, DTS)

DIGITAL AUDIO OUT (OPTICAL)

Digitalt optiskt kontakt (tvåkanalig linjär PCM:
48 kHz, 16-bitars, Dolby Digital, DTS)

AUDIO OUT (stereominiuttag)

Hörlurar, ljudutgång, subwoofer

1, 2, **SS** 3 (HDD REC)*1

USB-enhetsport (**SS**) 3 USB HDD-enhet för
REC-funktion)

USB-port 1 och 2 har stöd för High Speed USB
(USB2.0).

USB-port 3 har stöd för Super Speed USB (USB3.0).



CAM-plats (CA-modul)



LAN

10BASE-T/100BASE-TX-kontakt (Beroende på
nätverkets funktionsmiljö, kan
anslutningshastigheten avvika.

Kommunikationshastighet och -kvalitet för
10BASE-T/100BASE-TX garanteras inte för denna
TV.)

DC IN 24 V (enbart på modeller med
nätadapter)

Nätadapter ingång

IR BLASTER*1

IR Blaster kabelingång (minijack)

Övrigt

Valfritt tillbehör

Väggfäste: SU-WL845 (KD-75XE94xx,
KD-65XE93xx endast)

Väggfäste: SU-WL840 (KD-55XE93xx endast)

Väggfäste: SU-WL450 (KD-65/55XE93xx endast)

Driftstemperatur

0 °C – 40 °C

Driftsluftfuktighet

10 % – 80 % relativ luftfuktighet (icke-kondenserande)

Ström, informationsblad och annat

Strömförsörjning

förutom modell med medföljande nätadapter 220 V - 240 V växelström (AC), 50 Hz
endast modeller med medföljande nätadapter 24 V DC med nätadapter
Gradering: Inmatning 220 V - 240 V växelström (AC), 50 Hz

Energieffektivitetsklass

KD-75XE94xx: B
KD-65XE93xx: A
KD-55XE93xx: B

Skärmstorlek (diagonalt uppmätt) (Cirka)

KD-75XE94xx: 189,3 cm / 75 tum
KD-65XE93xx: 163,9 cm / 65 tum
KD-55XE93xx: 138,8 cm / 55 tum

Strömförbrukning

i [Standard]-läge

KD-75XE94xx: 298 W
KD-65XE93xx: 164 W
KD-55XE93xx: 137 W

i [Dagsljus]-läge

KD-75XE9405: 495 W
KD-65XE9305: 294 W
KD-55XE9305: 227 W

Medelårsförbrukning*2

KD-75XE94xx: 413 kWh
KD-65XE93xx: 227 kWh
KD-55XE93xx: 190 kWh

Effektförbrukning i viloläge*3*4 (standby)

0,50 W (27 W i programuppdateringsläge/
EPG-uppdateringsläge)

Bildupplösning

3 840 punkter (horisontell) × 2 160 linjer (vertikal)

Uteffekt

USB 1/2: max. 5 V, $\overline{=}$, 500 mA
USB 3: max. 5 V, $\overline{=}$, 900 mA

Dimension (Cirka) (b × h × d)

med bordsstativ

KD-75XE94xx: 167,3 × 103,7 × 32,5 cm
KD-65XE93xx: 145,1 × 91,3 × 29,5 cm
KD-55XE93xx: 123,2 × 79,0 × 28,2 cm

utan bordsstativ

KD-75XE94xx: 167,3 × 96,2 × 6,2 cm
KD-65XE93xx: 145,1 × 83,8 × 3,9 cm
KD-55XE93xx: 123,2 × 71,5 × 4,0 cm

Vikt (Cirka)

med bordsstativ

KD-75XE94xx: 47,6 kg
KD-65XE93xx: 42,4 kg
KD-55XE93xx: 32,6 kg

utan bordsstativ

KD-75XE94xx: 42,8 kg
KD-65XE93xx: 38,2 kg
KD-55XE93xx: 28,6 kg

*1 Endast för begränsad region/land/TV-modell.

*2 Energiförbrukning per år, baseras på TV-apparatens strömförbrukning under 4 timmar per dag i 365 dagar. Den verkliga energiförbrukningen varierar beroende på hur TV-apparaten används.

*3 Specificerad standby-effekt uppnås när TV:n har avslutat nödvändiga interna processer.

*4 Strömförbrukningen i standbyläge ökar när din TV är ansluten till nätverket.

Anmärkning

- Ta inte bort skyddet för platsen för TV CAM (CA-modul) annat än för att sätta in ett smartkort som passar i CAM.
- Tillgången på alternativa tillbehör beror på land/region/TV-modell/lager.
- Design och specifikationer kan ändras utan förvarning.

Anmärkningar om digital TV

- Digital-TV (DVB-T, satellit och kabel), interaktiva tjänster och nätverksfunktioner kanske inte är tillgängliga i alla länder eller områden. Vissa funktioner kanske inte är aktiverade eller kanske inte fungerar korrekt med vissa leverantörer och nätverksmiljöer. Vissa TV-tjänstleverantörer kan ta en avgift för sina tjänster.
- Denna TV stöder digitalsändning med användning av MPEG-2-, H.264/MPEG-4 AVC- och H.265/HEVC-codecs, men kompatibilitet med alla operatörs-/tjänstsignaler, vilka kan variera med tiden, kan inte garanteras.

Information om varumärken

- Termerna HDMI och HDMI High-Definition Multimedia Interface och HDMI-logotypen är varumärken eller registrerade varumärken som tillhör HDMI Licensing LLC i USA och andra länder.
- Tillverkad under licens från Dolby Laboratories.
Dolby, Dolby Audio och symbolen med dubbla D:n är varumärken som tillhör Dolby Laboratories.

- "BRAVIA" och BRAVIA är varumärken som tillhör Sony Corporation.
- Gracenote, Gracenote eyeQ, Gracenote VideoID, Gracenote Video Explore, Gracenote-logotypen och "Powered by Gracenote"-logotypen är antingen registrerade varumärken eller varumärken som tillhör Gracenote i USA och/eller andra länder.
- Opera® Devices SDK. Copyright 1995-2016 Opera TV AS. All rights reserved.
- Wi-Fi, Wi-Fi Direct, Miracast, Wi-Fi Protected Setup och Wi-Fi CERTIFIED logotypen är varumärken eller registrerade varumärken som tillhör Wi-Fi Alliance.
- För DTS-patent se <http://patents.dts.com>. Tillverkad under licens från DTS, Inc. DTS, symbolen & DTS och symbolen tillsammans är registrerade varumärken och DTS Digital Surround är ett varumärke som tillhör DTS, Inc. © DTS, Inc. Med ensamrätt.
- Bluetooth® ordmärket och -logotypen ägs av Bluetooth SIG, Inc. och all användning av sådana märken av Sony Corporation sker under licens. Övriga varumärken och varunamn tillhör deras respektive ägare.
- DiSEqC™ är ett varumärke som tillhör EUTELSAT. Denna TV stödjer DiSEqC 1.0. Denna TV bör inte användas för att manövrera motorstyrda antenner.
- TUXERA är ett registrerat varumärke som tillhör Tuxera Inc. i USA och andra länder.
- USB-IF SuperSpeed USB treuddslogotyp är ett registrerat varumärke som tillhör USB Implementers Forum, Inc. 

Indholdsfortegnelse

VIGTIG BESKED	2
Sikkerhedsoplysninger	3
Forholdsregler	6
Dele og knapper	8
Knapper og indikatorer	8
Brug af fjernbetjening	9
Beskrivelse af fjernbetjeningens dele	9
Tilslutningsdiagram	11
Vægmontering af tv'et	13
Anvendelse af det valgfrie beslag til vægmontering	13
SU-WL845 (KD-75XE94xx, KD-65XE93xx), SU-WL840 (KD-55XE93xx)	14
SU-WL450 (Kun KD-65/55XE93xx)	14
Kun KD-75XE94xx, KD-55XE93xx	16
Fejlfinding	19
Problemer og løsninger	19
Specifikationer	20

Internetforbindelse og Data-fortrolighedspolitik

Dette produkt opretter forbindelse til internettet under den første opsætning, så snart et netværk er forbundet, med henblik på at bekræfte internetforbindelsen, og senere for at konfigurere startskærmen. Din IP-adresse bruges i disse og alle andre internetforbindelser. Hvis du ikke ønsker din IP-adresse overhovedet bliver brugt, så opsæt ikke den trådløse internetfunktionen, og tilslut ikke et internet-kabel. Der henvises til oplysningerne privatlivs-informationerne, der er præsenteret i opsætnings-skærmen, for yderligere oplysninger om internetforbindelser.

Indledning

Tak fordi du valgte dette Sony-produkt. Før TV-apparatet betjenes, læses denne vejledning grundigt og beholdes til senere opslag.

Bemærk

- Før du benytter tv'et, bedes du læse "Sikkerhedsoplysninger" (side 3).
- Billeder og illustrationer i Installationsvejledningen og denne vejledning er udelukkende til referencebrug og kan afvige fra det faktiske produkt.
- Det viste "xx" i modelnavnet er et numerisk tal, der henviser til design, farve eller tv-system.

Placering af Installationsvejledningen

Installationsvejledningen er anbragt oven på polstringen inden i tv'ets kasse.

Hjælp/Hjælpevejledning

Funktionen Hjælp indeholder mange oplysninger om dit TV. Tryk på **HELP** på fjernbetjeningen for at bruge Hjælp-funktionen. Du kan finde guider og fejlfinding på listen eller via nøgleordssøgning. Vælg [Hjælpevejledning] i menuen Hjælp for at få vist vejledningen. Hvis du slutter dit TV til internettet, opdateres funktionen Hjælp og oplysningerne.

Placering af identifikationsmærkat

Mærkatet med oplysninger om modelnummer, produktionsdato (år/måned) og strømforsyning findes på bagsiden af tv'et eller på emballagen. De kan findes ved at fjerne stativdækslet og centerdækslet.

Modeller med medfølgende netadapter:

Mærkatet med netadapters modelnummer og serienummer findes i bunden af netadaptersen.

ADVARSEL

PRODUKTET SKAL
HOLDES VÆK FRA
TÆNDTE LYS ELLER ANDEN
FORM FOR ÅBEN ILD FOR AT
UNDGÅ BRAND.



VIGTIG BESKED

Dette produkt er fremstillet af eller på vegne af Sony Corporation, 1-7-1 Konan Minato-ku Tokyo, 108-0075 Japan. Forespørgsler relateret til produkt overensstemmelse i henhold til EU lovgivning skal adresseres til den autoriserede repræsentant, Sony Belgium, bijkantoor van Sony Europe Limited, Da Vincilaan 7-D1, 1935 Zaventem, Belgien. For service eller garanti henviser vi til de adresser, som fremgår af vedlagte service- eller garantidokumenter.

Bemærkning til radioudstyr

Herved erklærer Sony Corporation, at radioudstyret at typerne KD-75XE9405, KD-65XE9305, KD-55XE9305 er i



overensstemmelse med de grundlæggende krav og andre relevante bestemmelser i direktiv 1999/5/EU. Se venligst følgende URL for detaljer: <http://www.compliance.sony.de/>

Dette radioudstyr kan betjenes i EU uden at kræne gældende krav om brug af radiofrekvenser.

Bemærkning til kunder: følgende informationer gælder kun for udstyr, som sælges i lande, hvor EUdirektiverne gælder.

Trådløst tv-system kan muligvis bruges i følgende lande:

AT, BE, HR, CY, CZ, DK, EE, FI, FR, DE, EL, HU, IE, IT, LV, LT, LU, MT, NL, PL, PT, SK, SI, ES, SE, UK, IS, LI, NO, CH, BG, RO, TR, AL, BA, MK, MD, RS, ME, Kosovo

Dette udstyr kan bruges i andre ikkeeuropæiske lande.

Sikkerhedsoplysninger

ADVARSEL

Batterier må ikke udsættes for ekstrem varme som f.eks. solskin, brand eller lignende.

Placer aldrig et TV på en ustabil placering. Et TV kan falde og medføre alvorlig personskade eller dødsfald. Mange skader, særligt ved børn, kan undgås ved at tage nogle simple forholdsregler såsom:

- Benyt kabinet eller stativ anbefalet af producenten af TV'et.
- Benyt kun møbler, der sikkert kan understøtte TV'et.
- Sørg for at TV'et ikke hænger ud over kanten på det understøttende møbel.
- Placer ikke TV'et på høje møbler (eksempelvis skab eller bogreoler), uden at forankre både møbel og TV'et på passende vis.
- Placer ikke TV'et på tekstil eller andre materialer, der kan ligge mellem TV'et og det understøttende møbel.
- Lær børn om de farer der findes, når man kravler på møbler for at nå TV'ets knapper.

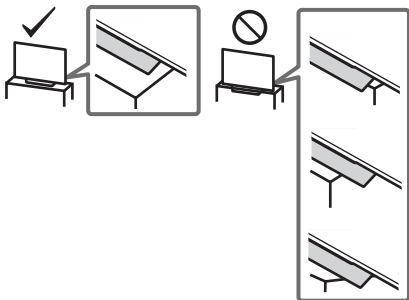
Hvis dit eksisterende TV bliver afhentet og flyttet, gælder de samme forholdsregler.

Installation/Opsætning

Installer og brug tv'et i overensstemmelse med nedenstående vejledning for at undgå brand, elektrisk stød eller skader på personer og materiel.

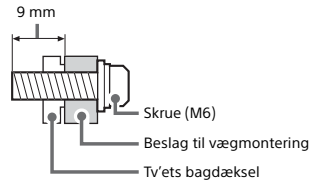
Installation

- Tv'et skal sættes op ved en let tilgængelig stikkontakt.
- Anbring tv'et på en stabil, plan overflade, så det ikke vælter, og forårsager personskade eller skader på ejendom.
- Placer tv'et et sted, hvor der ikke kan trækkes i det, hvor det ikke skubbes eller væltes.
- Placer tv'et, så foden ikke stikker frem fra tv-bordet (medfølger ikke). Hvis tv'ets fod stikker frem fra tv-bordet, kan tv'et vælte, falde ned og medføre personskade eller beskedige tv'et.

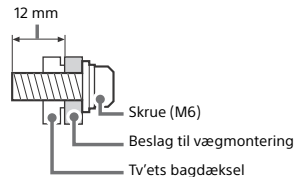


- Kun en autoriseret installatør må udføre væginstallationer.
- Af sikkerhedsmæssige grunde anbefales det at anvende Sony tilbehør, herunder:
 - Beslag til vægmontering SU-WL845 (Kun KD-75XE94xx, KD-65XE93xx)
 - Beslag til vægmontering SU-WL840 (Kun KD-55XE93xx)
 - Beslag til vægmontering SU-WL450 (Kun KD-65/55XE93xx)
- Sørg for at bruge de skruer, der følger med Beslaget til vægmontering ved montering af Beslaget til vægmontering på TV'et. De medfølgende skruer er designet som vist på illustrationen, når der måles fra fastførelsesoverfladen til Beslaget til vægmontering. Skruernes diameter og længde afhænger af modellen på vægbeslaget. Hvis der anvendes andre skruer end de medfølgende, kan det medføre indvendige skader på TV-apparatet eller få det til at falde ned eller lignende.
- Det valgfrie beslag til vægmontering (Kun SU-WL845, SU-WL840)

Øvre side



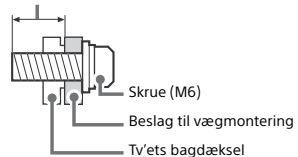
Nedre side



- Det valgfrie beslag til vægmontering (Undtagen SU-WL845, SU-WL840)

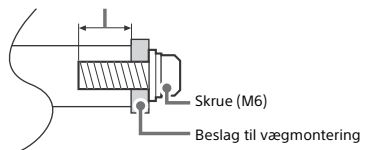
KD-75XE94xx

9 mm - 13 mm



KD-65/55XE93xx

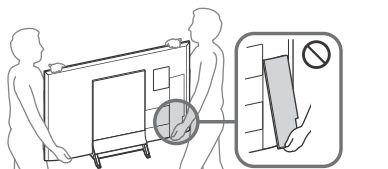
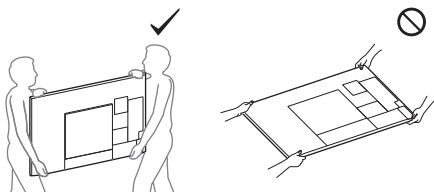
8 mm - 12 mm



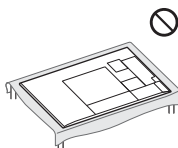
DK

Transport

- Før transport af tv'et tages alle kabler ud.
- Der skal mindst to eller tre personer til at bære et stort tv.
- Når TV'et flyttes med hånden, skal det holdes som vist nedenfor. Belast ikke LCD-skærmen og rammen omkring skærmen.

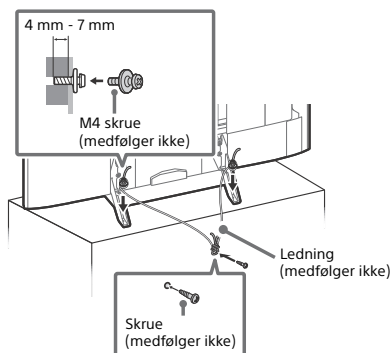
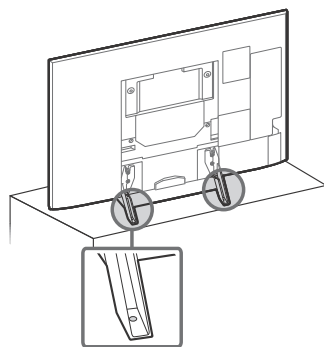


- Læg ikke TV'et ned ved håndtering eller montering af TV'et.



- TV'et må ikke udsættes for fysiske stød eller kraftige vibrationer under transport.
- TV'et skal pakkes ind i originalemballagen og sættes ned i originalkassen, når det skal til reparation eller blot flyttes.

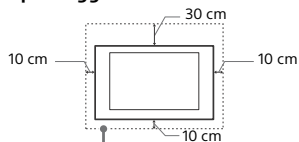
Vælteforebyggelse



Ventilation

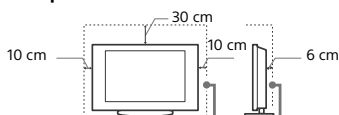
- Tildæk ikke ventilationshullerne og stik ikke noget ind i kabinettet.
- Der skal være plads omkring tv'et som vist nedenfor.
- Det anbefales stærkt at anvende et Sony vægbeslag for at sikre tilstrækkelig luftcirkulation.

Monteret på væggen



Der skal være mindst så meget plads omkring tv'et.

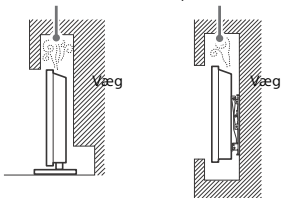
Monteret på stander



Der skal være mindst så meget plads omkring tv'et.

- For at sikre tilstrækkelig ventilation og forhindre ansamling af støv og snavs:
 - Læg ikke tv'et fladt ned og monter det ikke på hovedet, bagvendt eller sidevendt.
 - Tv'et må ikke installeres på en hylde, et tæppe, en seng eller i et skab.
 - Tv'et må ikke dækkes til med stof, f.eks. gardiner, eller andre ting, f.eks. aviser, osv.
 - Installer ikke Tv'et som vist nedenfor.

Luftcirkulationen afspærres.



Netledning

- Brug netledningen og stikket som følger for at undgå brand, elektrisk stød eller skader på personer og materiel:
- Brug kun netledninger fra Sony, ikke fra andre leverandører.
 - Stikket skal sættes helt ind i kontakten.
 - Slut kun tv'et til en stikkontakt med 220 V - 240 V AC.
 - Af sikkerhedshensyn skal du trække netledningen ud af stikket og være omhyggelig med ikke at vikle fødderne ind i kablerne.
 - Tag netledningen ud af stikkontakten, før du arbejder eller flytter på tv'et.
 - Hold netledningen væk fra varmekilder.
 - Tag netstikket ud og rengør det med jævne mellemrum. Hvis stikket er dækket med støv og tiltrækker fugt, forringes isoleringen, og der kan opstå brand.

Bemærk

- Du må ikke bruge den medfølgende netledning med andet udstyr.
- Undgå så vidt muligt at klemme, bøje eller sno netledningen. Ledningstrådene kan være afisolerede eller knækket.
- Du må ikke ændre på netledningen.
- Du må ikke placere tunge genstande på netledningen.
- Træk ikke i selve ledningen, når stikket skal tages ud af stikkontakten.
- Du må ikke slutte for mange apparater til samme stikkontakt.
- Du må ikke bruge stikkontakter, som stikket ikke passer i.

BEMÆRKNING OM LYSNETADAPTER (kun modeller med medfølgende netadapter)

Advarsel

- For at reducere risikoen for brand eller elektrisk stød må du ikke udsætte dette apparat for regn eller fugt.
- For at forhindre brand eller stød må du ikke stille genstande fyldt med væsker, som f.eks. vaser på apparatet. Du må ikke installere dette udstyr, hvor der er begrænset plads, som f.eks. på en boghylde.
- Sørg for at stikkontakten er placeret nær udstyret, og at den er let tilgængelig.
 - Brug altid den medfølgende lysnetadapter og det medfølgende strømkabel.
 - Brug aldrig nogen anden lysnetadapter. Det kan medføre fejlfunktion.
 - Slut lysnetadapteren til en stikkontakt, der er nemt tilgængelig.
 - Rul aldrig strømkablet rundt om lysnetadapteren. Ledningen i kablet kan blive skåret over eller det kan medføre fejl i mediemodtagerens funktion.
 - Rør aldrig ved lysnetadapteren med våde hænder.
 - Hvis du bemærker noget mærkeligt ved lysnetadapteren, skal du straks afbryde tilslutningen til stikkontakten.
 - Enheden er ikke frakoblet lysnettet så længe den er sluttet til stikkontakten - heller ikke selv om der er slukket for strømmen på enheden.



- Da lysnetadapteren bliver varm, når den har været brugt gennem længere tid, kan den føles meget varm, hvis man berører den med hånden.

Forbudt brug

Tv'et må ikke placeres eller anvendes på steder eller i omgivelser eller situationer som de nedenfor beskrevne. Ellers kan tv'et fungere dårligt og forårsage brand, elektrisk stød og personskader.

Placering:

- Udendørs (i direkte sollys), på stranden, på et skib eller et andet fartøj, i et køretøj, på hospitaler, ustabile placeringer, tæt på vand, fugt eller røg.

Omgivelser:

- Steder, der er varme, fugtige eller meget støvede, hvor der kan komme insekter ind, hvor det kan blive udsat for mekaniske vibrationer, tæt på brændbare genstande (stearinlys o.l.). TV-apparatet må ikke udsættes for dryp eller stænk, og der må ikke anbringes væskefyldte genstande som f.eks. vaser på TV-apparatet.

Situation:

- Brug, hvis dine hænder er våde, hvis kabinettet er afmonteret eller med tilbehør, der ikke anbefales af producenten. Tag tv'ets netledning ud af stikkontakten i tordenvejr.
- Monter tv'et, så det rager frem i det åbne rum. Det kan medføre skader eller ødelæggelse på grund af en person eller en ting, som rammer ind i tv'et.



- Placer tv'et i fugtige eller støvede omgivelser eller i et lokale med oliefyldt røg eller damp (nær kogeplader eller befugtere). Det kan medføre brand, elektrisk stød eller vridning.



- Monter tv'et på steder, der er udsat for ekstrem temperatur, som f.eks. i direkte sollys, i nærheden af en radiator eller i nærheden af en ventilationsåbning. I sådanne tilfælde kan tv'et blive overopheatet, hvilket kan medføre, at kabinettet slår sig, og/eller at tv'et svigter.



- Hvis tv'et placeres i omklædningsrummet en offentlig badeanstalt eller spa, kan tv'et blive ødelagt af luftbåret svovl osv.



- Hvis du vil opnå den bedste billedkvalitet, må du ikke udsætte skærmen for direkte belysning eller sollys.
- Undgå at flytte tv'et fra et koldt sted til et varmt sted. Pludselige ændringer i rumtemperaturen kan medføre kondensering. Det kan betyde, at tv'et viser et dårligt billede og/eller dårlige farver. Hvis det sker, skal du sørge for, at fugten fordamper helt, før du tænder for tv'et.

Ituslåede dele:

- Du må ikke kaste genstande mod tv'et. Skærmglasset kan knuses af slaget og anrette alvorlig personskade.
- Hvis tv'ets overflade revner, må du ikke røre det, for du har trukket netledningen ud af stikkontakten. Ellers kan det medføre elektrisk stød.

Når tv'et ikke er i brug

- Hvis du ikke anvender tv'et i flere dage, skal det afbrydes fra lysnettet af miljø- og sikkerhedshensyn.
- Da tv'et ikke er helt afbrudt fra lysnettet, selvom det er slukket, skal stikket tages ud af stikkontakten for at afbryde tv'et fuldkomment.
- Visse tv'er kan have funktioner, som kræver, at tv'et altid skal være i standby for at fungere korrekt.

Børn

- Lad ikke børn klatre op på tv'et.
- Mindre tilbehør skal opbevares utilgængeligt for børn, så det ikke sluges ved en fejl.

Hvis følgende problemer opstår...

Sluk tv'et og træk straks netledningen ud af stikkontakten, hvis følgende problemer opstår.

Bed din forhandler eller Sony servicecenter om at få tv'et efterset af autoriserede serviceteknikere.

Når:

- Netledningen er beskadiget.
- Stikket passer dårligt.
- Tv'et er beskadiget som følge af at være tabt eller slået, eller der er kastet genstande mod det.
- Væske eller genstande er trængt ind gennem kabinetets åbninger.

Om LCD TV temperatur

Når LCD TV'et bruges gennem en længere periode, bliver det omgivende panel varmt. Det er meget varmt, når du berører enheden med hånden.

Forholdsregler

Bemærk når du ser TV

- Der skal være moderat belysning, da det kan belaste dine øjne at se tv ved dårligt lys eller i længere tid.
- Når du bruger hovedtelefoner, skal du justere lyden, så den ikke er for høj, da det kan skade hørelsen.

LCD-skærm

- Selvom LCD-skærmen er fremstillet med højpræcisionsteknologi og 99,99 % eller flere effektive pixler, kan der forekomme sorte pletter eller lysende punkter (røde, blå eller grønne), der optræder konstant på LCD-skærmen. Det er en konstruktionsmæssig egenskab ved LCD-skærmen og ikke en fejl.
- Tryk ikke og skrab ikke frontfilteret, og placer ikke genstande oven på tv'et. Billedet kan blive uensartet, eller LCD-skærmen kan blive beskadiget.
- Hvis tv'et bruges et sted, hvor der er koldt, kan billedet virke udtværet eller blive mørkt. Dette er ikke tegn på fejl. Fænomenerne forsvinder, efterhånden som temperaturen stiger.
- Der kan forekomme skygge billeder (ghosting), når der konstant vises stillbilleder. Det forsvinder efter et øjeblik.
- Skærmen og kabinettet kan blive varmt, når tv'et er i brug. Dette er ikke en fejl.
- LCD-skærmen indeholder en lille mængde flydende krystal. Følg de lokale regler og retningslinjer for bortskaffelse.

Behandling og rengøring af tv'ets skærmoverflade og kabinet

Sørg for at tage netledningen til tv'et ud af stikkontakten før rengøring.

Følg nedenstående forholdsregler for at undgå nedbrydning af materialer eller skærmbelægning.

- Tør støv forsigtigt af skærmen/kabinettet med en blød klud. Hvis støvet sidder fast, skal skærmen tørres forsigtigt af med en hårdt opvredet blød klud, der er fugtet let med vand og et mildt rengøringsmiddel.
- Sprøjt aldrig vand eller rengøringsmiddel direkte på tv'et. Det kan dryppe til bunden af skærmen eller udvendige dele og komme ind i tv'et, hvilket kan medføre skader på tv'et.



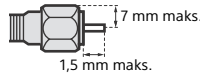
- Du må ikke bruge skuresvampe, opløsningsmidler eller syreholdige rengøringsmidler, skurepulver eller flygtige opløsningsmidler som alkohol, rensebenzin, fortynder eller insektmiddel. Brug af sådanne midler eller længerevarende kontakt med gummi- eller vinylmaterialer kan beskadige skærmens overflade og kabinetmaterialet.
- Berør ikke tv'et med dine hænder hvis de er påført nogen form for kemiske stoffer så som håndcreme eller solcreme.
- Jævnlig støvsugning af ventilationshullerne tilrådes for at sikre tilstrækkelig ventilation.
- Når vinklen på tv'et skal justeres, skal du bevæge det langsomt for at undgå, at det flytter sig eller glider ned fra bordstanderen.

Ekstraudstyr

- Hold ekstraudstyr eller andet udstyr, der udsender elektromagnetisk stråling, på afstand af tv'et. Ellers kan billedforvrængning og/eller dårlig lyd forekomme.
- Dette udstyr er blevet testet og fundet i overensstemmelse med de grænser, der er fastsat i EMC-direktivet, ved hjælp af et signalkabel kortere end 3 meter.
- Dette udstyr er blevet testet og fundet i overensstemmelse med de grænser, der er fastsat i EMC-direktivet, ved hjælp af et RF-kabel kortere end 30 meter til terrestrisk/satellit/CATV-terminalen.

Anbefaling af F-type stik

Den indvendige tråd må ikke stikke mere ud fra tilslutningsdelen end 1,5 mm.



(Referencetegning af F-type stik)

Ved brug af trådløs funktion

- Brug ikke denne enhed i nærheden af medicinsk udstyr (pacemaker, osv.), da dette kan resultere i funktionsfejl i det medicinske udstyr.
- Selvom denne enhed sender/modtager scrambledde signaler, vær opmærksom på uautoriseret aflytning. Vi hæfter ikke for følgerne heraf.
- Dette udstyr skal installeres og betjenes med en afstand på 20 cm eller mere mellem antennen for denne enhed, og en persons krop.

Vær forsigtig ved håndtering af fjernbetjeningen

- Overhold den korrekte polaritet ved isætning af batterier.
- Brug ikke forskellige batterityper eller gamle og nye batterier samtidigt.
- Bortskaf batterier på en miljøvenlig måde. I visse områder kan der være regler for bortskaffelse af batterier. Rådspørg de lokale myndigheder.
- Behandl fjernbetjeningen med omhu. Tab den ikke, trød ikke på den, og spild ikke nogen form for væske på den.
- Læg ikke fjernbetjeningen på steder nær en varmekilde eller på steder i direkte sollys eller i fugtige lokaler.

Bortskaffelse af tv'et



Håndtering af udtjente elektriske og elektroniske produkter (Gælder for den Europæiske Union og andre europæiske lande med separate indsamlingssystemer)

Dette symbol på produktet eller emballagen angiver, at produktet ikke må behandles som husholdningsaffald. Det skal i stedet indleveres på en genbrugsplads specielt indrettet til

modtagelse og oparbejdning af elektriske og elektroniske produkter. Ved at sikre at produktet bortskaffes korrekt, forebygges de eventuelle negative miljø- og sundhedsskadelige påvirkninger, som en ukorrekt affaldshåndtering af produktet kan forårsage. Genindvinding af materialer vil medvirke til at bevare naturens ressourcer. Yderligere information om genindvindingen af dette produkt kan fås hos kommunen, det lokale renovationselskab eller butikken, hvor produktet blev købt.



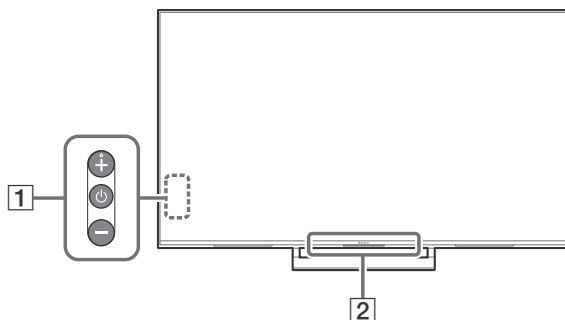
Fjernelse af udtjente batterier (gælder for den Europæiske Union og andre europæiske lande med separate indsamlingssystemer)

Dette symbol på batteriet eller emballagen betyder, at batteriet leveret med dette produkt ikke må bortskaffes som husholdningsaffald.

På visse batterier kan dette symbol anvendes i kombination med et kemisk symbol. Det kemiske symbol for kviksølv (Hg) eller bly (Pb) er anført hvis batteriet indeholder mere end 0,0005 % kviksølv eller 0,004 % bly. Ved at sikre at sådanne batterier bortskaffes korrekt, tilsikres det, at de mulige negative konsekvenser for sundhed og miljø, som kunne opstå ved en forkert affaldshåndtering af batteriet, forebygges. Materiale genindvindingen bidrager ligeledes til at beskytte naturens ressourcer. Hvis et produkt kræver vedvarende elektricitetsforsyning af hensyn til sikkerheden samt ydeevnen eller data integritet, må batteriet kun fjernes af dertil uddannet personale. For at sikre en korrekt håndtering af batteriet bør det udtjente produkt kun afleveres på dertil indrettede indsamlingspladser beregnet til affaldshåndtering af elektriske og elektroniske produkter. Med hensyn til øvrige batterier, se venligst afsnittet der omhandler sikker fjernelse af batterier. Batteriet skal derefter afleveres på et indsamlingsted beregnet til affaldshåndtering og genindvinding af batterier. Yderlige information om genindvinding af dette produkt eller batteri kan fås ved at kontakte den kommunale genbrugsstation eller den butik, hvor produktet blev købt.

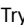
Dele og knapper

Knapper og indikatorer

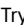



1 (Power) /+/-

Når dit TV er slukket,

Tryk på  for at tænde.

Når dit TV er tændt,

Tryk og hold  for at slukke.

Tryk på  flere gange for at ændre funktionen, og tryk derefter på + eller - knappen for at:

- Justering af lydstyrke.
- Valg af kanal.
- Valg af indgangskilde for TV.

2 **Fjernbetjeningens sensor* / Lyssensor* / Belysnings-LED**

Belysnings-LED'en lyser eller blinker i overensstemmelse med TV'ets status.

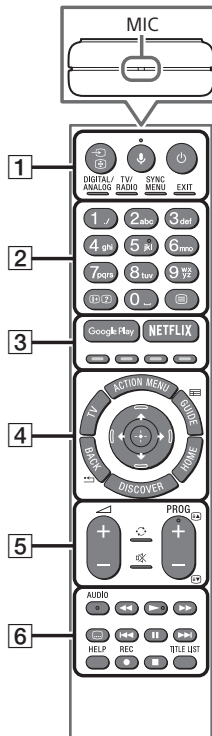
For yderligere oplysninger, se din Hjælpevejledning.

* Anbring ikke noget i nærheden af sensoren.

Brug af fjernbetjening

Beskrivelse af fjernbetjeningens dele

Fjernbetjeningens form, placering, tilgængelighed og funktion kan variere afhængigt af region/land/tv-model.



1 (Indgangsvælger/Stop på side)

I TV-tilstand: Vis og vælg indgangskilden.
I teksttilstand: Stop på den aktuelle side.

(Mikrofon)

Brug af talefunktion (f.eks. søg på forskelligt indhold via tale).

(TV-standby)

Tryk på TV (standby) for at tænde eller slukke tv'et.

DIGITAL/ANALOG

Skift mellem digital og analog tilstand.

TV/RADIO

Skift mellem TV- eller RADIO-udsendelser.

SYNC MENU

Vis BRAVIA Sync-menuen.

EXIT

Skift til den forrige skærm eller afslut menuen. Når en interaktiv tjeneste er tilgængelig, skal du trykke på denne knap for at afslutte tjenesten.

2 Nummerknapper

/ (Informationer/Vis skjult tekst)

Vis information.

(Tekst-TV)

Viser tekstinformationer.

3 Google Play

Få adgang til "Google Play"-onlineservice.

NETFLIX (Kun ved begrænset region/land/tv-model)

Få adgang til "NETFLIX"-onlineservice.

Farveknapper

Udfør tilsvarende funktion på det tidspunkt.

4 ACTION MENU

Åbn en liste over kontekstafhængige funktioner.

TV

- Skift til en TV-kanal eller indgang fra andre applikationer.
- Tænd for tv'et for at vise tv-kanal eller indgang.

GUIDE /

Vis den digitale programvejledning.

BACK /

Vend tilbage til forrige skærm.

HOME

Vis TV-menuen Home.

DISCOVER

Hent indholdsbjælken for at søge efter indhold.

/ / / / (Valg af element/Enter)

5 +/- (Lydstyrke)

Juster lydstyrken.

(Spring)


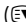
Spring frem og tilbage mellem to kanaler eller indgange. TV'et skifter mellem den aktuelle kanal eller indgang og den sidst valgte kanal eller indgang.

(Lydløs)

Slå lyden fra. Tryk igen for at slå lyden til.

PROG +/- / /

I TV-tilstand: Vælg kanalen.

I teksttilstand: Vælg næste () eller forrige () side.

6 **AUDIO**

Skift sprog for programmet, som aktuelt vises.



Betjen medieindhold på TV og tilsluttet BRAVIA Sync-kompatibel enhed.

(Undertekst-indstilling)

Slå undertekster til eller fra (når funktionen er tilgængelig).

HELP

Vis menuen Hjælp. Her kan du få adgang til Hjælpevejledningen.

REC

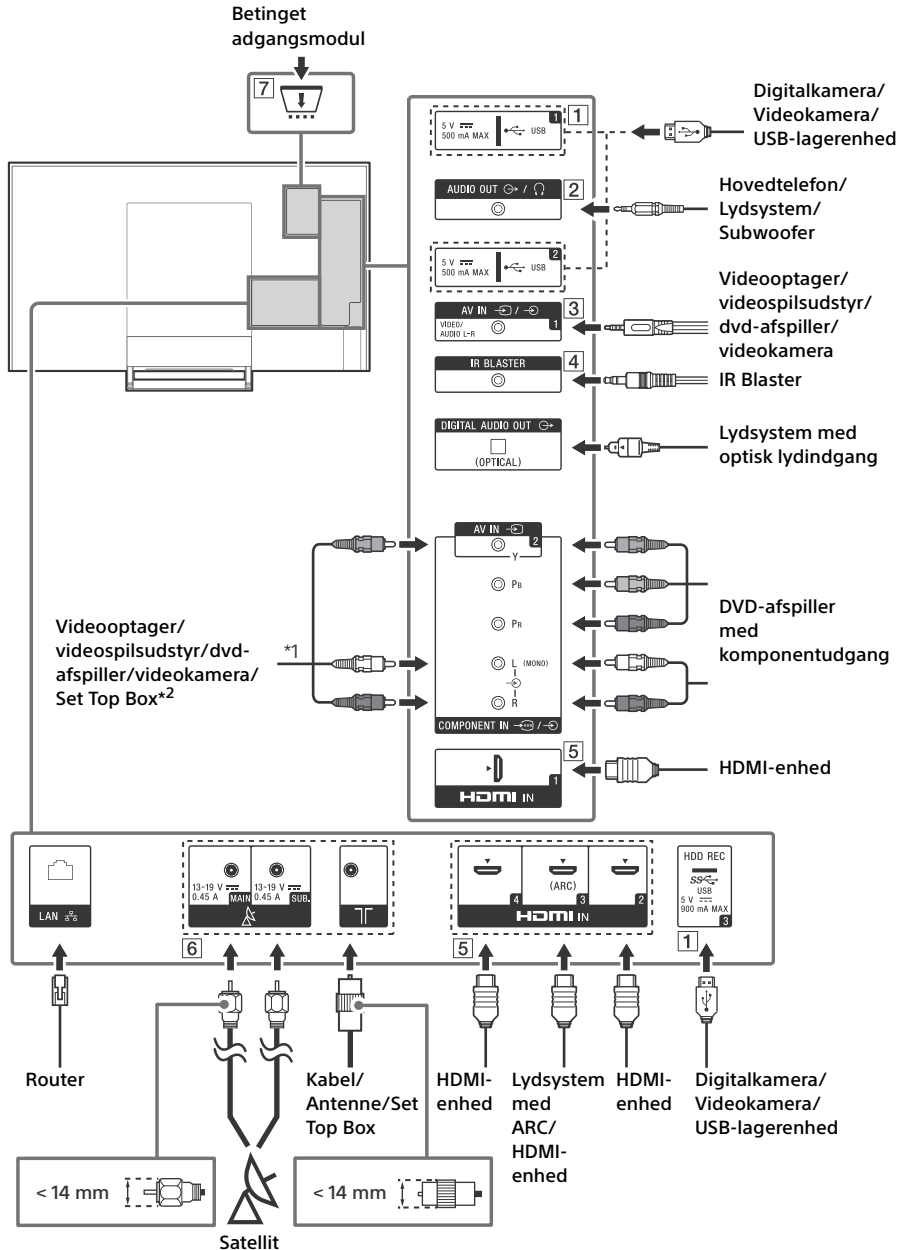
Optag det aktuelle program med optagefunktionen USB HDD.

TITLE LIST

Vis Titellisten.

Tilslutningsdiagram

For mere information om forbindelser, se i Hjælpevejledningen ved at trykke **HELP** på fjernbetjeningen.



DK

1 **USB 1/2, **USB 3 (HDD REC)*³****

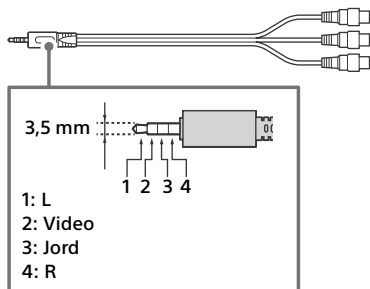
- Tilslutning af en stor USB-enhed kan forstyrre andre tilsluttede enheder ved siden af den.
- En stor USB-enhed tilsluttes USB 1-stikket.

2 **AUDIO OUT**

- Understøtter kun 3-polet stereo minijack-stik.
- Tryk på **HOME**, hvis du vil høre TV'ets lyd gennem det tilsluttede udstyr. Vælg [Indstillinger] → [Lyd] → [Hovedtelefon-/lyudgang], og vælg derefter det ønskede element.

3 **AV IN 1**

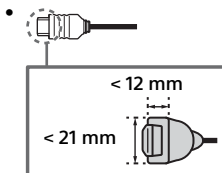
- For en composite-tilslutning, skal du bruge et analogt forlængerkabel (medfølger ikke).



4 **IR BLASTER*³**

5 **HDMI IN 1/2/3/4**

- Hvis du tilslutter et digitalt lydsystem, der er kompatibelt med ARC (Audio Return Channel), skal du bruge HDMI IN 3. I modsat fald skal du lave en ekstra tilslutning med DIGITAL AUDIO OUT (OPTICAL).



6 **(Satellitindgang), **(RF-indgang)****

- Tilslutninger for terretrisk/kabel og satellit. Tilslutning SUB. → Antenne → MAIN
- Ved SUB.-stik, skal du kun tilslutte, når du bruger dobbelt tunertilstand bortset fra Single Cable Distribution EN50494.

7 **CAM (betinget adgangsmodule)**

- Giver adgang til betalings-TV-tjenester. For detaljer henvises til betjeningsvejledningen, som fulgte med CAM-modulet.
- Du må ikke sætte et smart-kort direkte i TV'ets CAM-slot. Det skal altid først sættes i et CAM-modul fra en autoriseret forhandler.
- CAM understøttes ikke i nogle lande/områder. Spørg din autoriserede forhandler.
- En CAM-meddelelse vises muligvis, når du skifter til et digitalt program, efter at du har brugt Internet Video.

*1 Ved tilslutning af monoudstyr tilsluttes til L (MONO)-lydstikket.

*2 For en ekstern enhed, som kun har SCART AV OUT, bruges en SCART-RCA-adapter.

*3 Kun ved begrænset region/land/TV-model.

Vægmontering af tv'et

Anvendelse af det valgfrie beslag til vægmontering

TV'ets betjeningsvejledning viser trin til klargøring af tv'et, før vægmonteringen.

Til kunderne:

Af hensyn til produktets og den generelle sikkerhed anbefaler Sony på det kraftigste, at monteringen af tv'et udføres af en Sony-forhandler eller en autoriseret installatør. Du må ikke forsøge at montere det selv.

Til Sony-forhandlere og installatører:

Vær opmærksom på sikkerheden under montering, vedligeholdelse og eftersyn af produktet.

Dette produkt må kun monteres af en professionel installatør, som er uddannet i at fastlægge styrken af væggen i forhold til TV'ets vægt. Hvis det ikke fastgøres korrekt under monteringen, kan TV'et falde ned og forårsage alvorlige kvæstelser. Sony påtager sig intet ansvar for skader eller kvæstelser forårsaget af forkert håndtering eller forkert montering, eller for montering af andet end det specificerede produkt. Dine eventuelle lovmæssige rettigheder påvirkes ikke.

Brug Vægbeslaget SU-WL845 (medfølger ikke) (kun KD-75XE94xx, KD-65XE93xx), SU-WL840 (medfølger ikke) (kun KD-55XE93xx) eller SU-WL450 (medfølger ikke) (kun KD-65/55XE93xx) for at installere TV'et på væggen.

Når du fastgør dit Beslag til vægmontering, skal du læse den Betjeningsvejledning og det Monteringsark, der fulgte med dit Beslag til vægmontering.

Bemærk

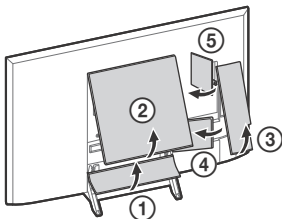
- Opbevar de fjernede skruer et sikkert sted – utilgængeligt for børn.
- Sørg for, at der er tilstrækkelig plads på væggen til TV'et, og at den er i stand til at understøtte en vægt på mindst seks gange TV'ets vægt.



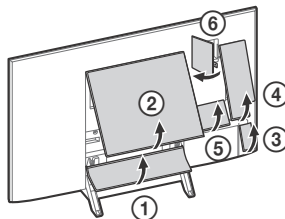
Se følgende websted for vejledning til montering af din tv-models beslag til vægmontering:
www.sony.eu/tv/wall-mount-bracket-manual

Fjern beklædning til stand og terminaldæksler.

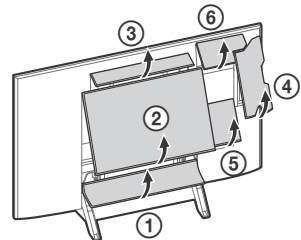
KD-75XE94xx



KD-65XE93xx



KD-55XE93xx

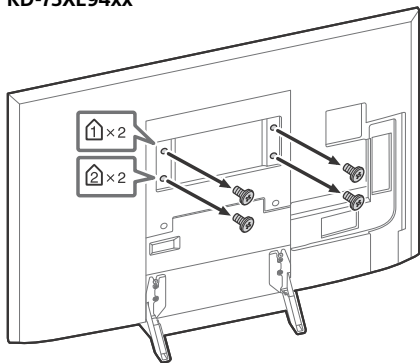


DK

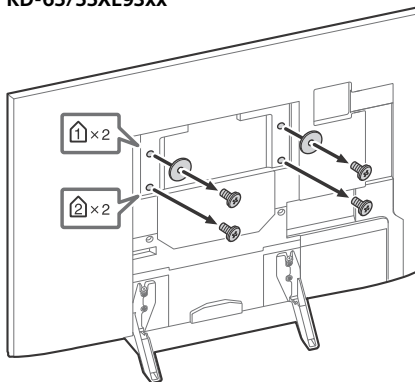
SU-WL845 (KD-75XE94xx, KD-65XE93xx), SU-WL840 (KD-55XE93xx)

Fjern skruer fra bagsiden af TV'et.

KD-75XE94xx

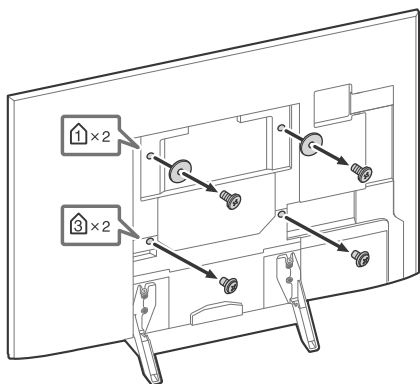


KD-65/55XE93xx

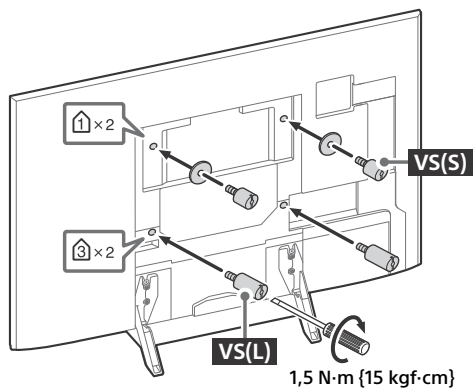


SU-WL450 (Kun KD-65/55XE93xx)

1 Fjern skruer fra bagsiden af TV'et.



- 2 Forbind tilslutningen til vægmontering (følger med TV'et) til bagsiden af TV'et (for at gøre det parallel med muren).



Bemærk

- Ved brug af elektrisk skruetrækker, sættes moment til omkring 1,5 N·m {15 kgf·cm}.
- Sørg for at fæstne tilslutningen til vægmontering, ved tilslutning til TV'et.
Brug kun en flad skruetrækker, til at installere tilslutningen til vægmontering. Brug af andet værktøj, kan medføre for hård stramning af tilslutning til vægmontering og skade TV'et.

Kun KD-75XE94xx, KD-55XE93xx

Dit tv kan monteres på et beslag til vægophængning (medfølger ikke), direkte som det forefindes fra kassen.

Klargør tv'et til beslaget til vægophængning, inden ledningerne tilsluttes.

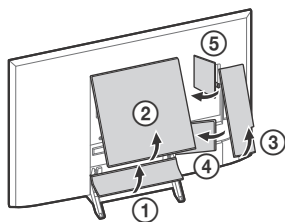
Dette produkt må kun monteres af en professionel installatør, som er uddannet i at fastlægge styrken af væggen i forhold til TV'ets vægt. Hvis det ikke fastgøres korrekt under monteringen, kan TV'et falde ned og forårsage alvorlige kvæstelser. Sony påtager sig intet ansvar for skader eller kvæstelser forårsaget af forkert håndtering eller forkert montering, eller for montering af andet end det specificerede produkt. Dine eventuelle lovmæssige rettigheder påvirkes ikke.

Af hensyn til produktets og den generelle sikkerhed anbefaler Sony på det kraftigste, at vægmonteringen af TV'et udføres af autoriserede fagfolk. Forsøg ikke at montere det selv.

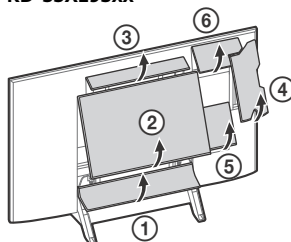
- Følg instruktionerne, som følger med beslaget til vægmontering for din model.
- Sørg for at opbevare de ubrugte skruer og tv-foden på et sikkert sted, indtil du er klar til at fastgøre tv-foden. Opbevar skruerne uden for børns rækkevidde.
- Sørg for, at der er tilstrækkelig plads på væggen til TV'et, og at den er i stand til at understøtte en vægt på mindst seks gange TV'ets vægt.

1 Fjern beklædning til stand og terminaldæksler.

KD-75XE94xx

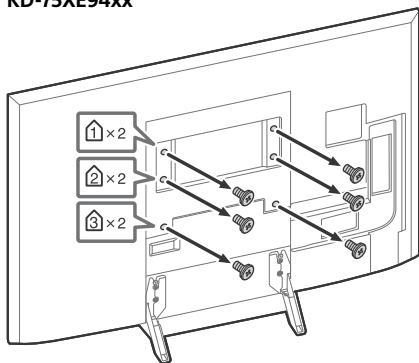


KD-55XE93xx

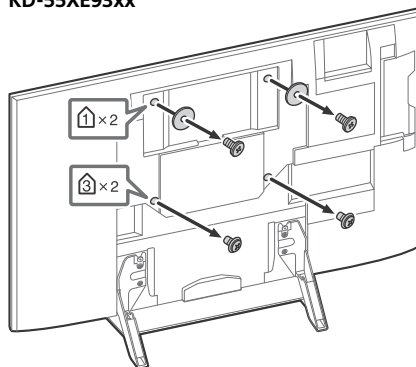


2 Fjern skruer fra bagsiden af TV'et.

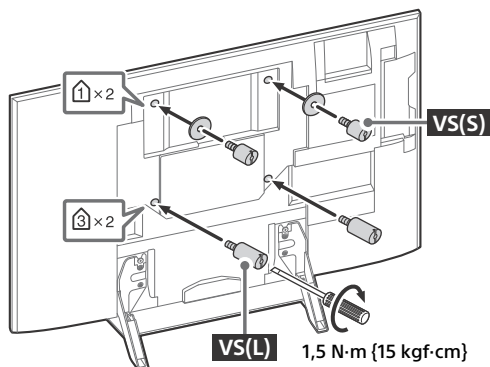
KD-75XE94xx



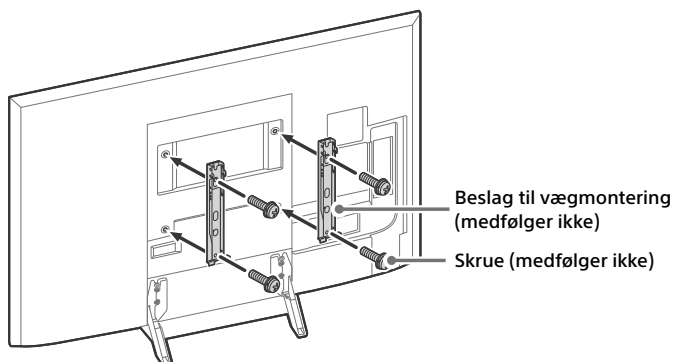
KD-55XE93xx



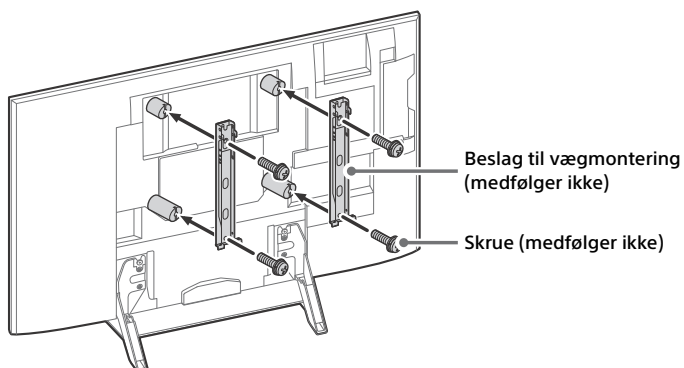
- 3 Forbind tilslutningen til vægmontering (følger med TV'et) til bagsiden af TV'et (for at gøre det parallel med muren). (Kun KD-55XE93xx)



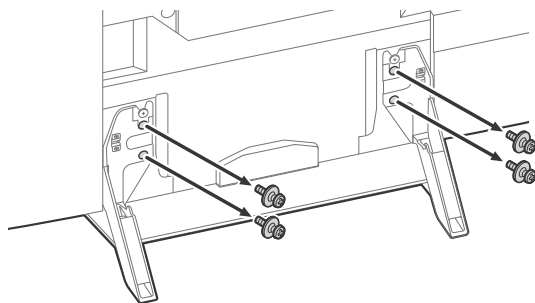
- 4 Monter beslaget til vægophæng (medfølger ikke) med skruerne (medfølger ikke).
KD-75XE94xx



KD-55XE93xx



5 Afmonter tv-foden fra tv'et.



Bemærk

- Ved brug af elektrisk skruetrækker, sættes moment til omkring 1,5 N·m {15 kgf·cm}.
- Sørg for at fæstne tilslutningen til vægmontering, ved tilslutning til TV'et.
Brug kun en flad skruetrækker, til at installere tilslutningen til vægmontering. Brug af andet værktøj, kan medføre for hård stramning af tilslutning til vægmontering og skade TV'et.
- Du kan ikke bruge nogle af kabelholderne på bagsiden af TV'et, når du anvender et beslag til vægmontering (medfølger ikke).

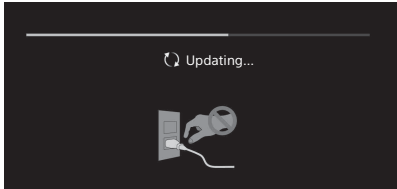
Fejlfinding

Ved generel fejlfinding for emner som: sort skærm, ingen lyd, frosset billede, TV'et reagerer ikke, eller netværk afbrydes, gøres følgende.

- 1 Genstart dit TV ved at trykke på afbryderen på fjernbetjeningen, indtil der vises en meddelelse. TV'et vil genstarte. Hvis TV'et ikke genoprettes så prøv at frakoble TV'et fra stikkontakten i to minutter, og sæt det i igen.
- 2 Se i Hjelpevejledningen ved at trykke **HELP** på fjernbetjeningen.
- 3 Tilslut dit tv til internettet, og udfør en softwareopdatering.
- 4 Besøg Sonys supporthjemmeside (oplysninger på bagsiden).

Når [En ny softwareopdatering til TV-systemet er tilgængelig...] meddelelsen vises.

Sony anbefaler på det kraftigste at opdatere TV-softwaren, ved at vælge [Opdater nu]. Disse softwareopdateringer forbedrer dit TV's ydeevne, eller tilføjer nye funktioner. Den følgende skærm med [Opdatering...] (Opdaterer...) vises, og den belysende LED blinker hvidt, mens softwaren opdaterer.



Du må ikke fjerne netledningen under en softwareopdatering. Hvis du gør dette, afsluttes softwareopdateringen ikke korrekt, hvilket kan medføre softwarefejl. Softwareopdateringer varer op til 15 minutter.

Når du sætter TV'ets stik i, kan der gå et stykke tid, før TV'et kan tændes, selvom du trykker på afbryderen på fjernbetjeningen eller på TV'et.

Det tager tid at initialisere systemet. Vent omkring et minut, og prøv igen.

Problemer og løsninger

Når den belysende LED blinker rødt.

- Tæl hvor mange gange den blinker (intervaltid er tre sekunder).
Nulstil TV'et ved at trække netledningen ud af TV'et i to minutter og derefter tænde TV'et. Hvis problemet ikke forsvinder, skal du tage stikket ud af stikkontakten, og kontakte din forhandler eller Sony servicecenter, med det antal gange den belysende LED blinker.

Jordbunden/kabel-service kan ikke modtages.

- Kontroller antennen/kabelforbindelsen og booster-indstillinger.
- Vælg jordbunden/kabel-service ved at trykke på **DIGITAL/ANALOG** på fjernbetjeningen. Hvis sendetjenesten ikke vises, tryk på **TV** og tryk herefter på **DIGITAL/ANALOG**.
- Jordbundet signal kan undertrykkes, hvis der er et stærkt signal udsendt i nærheden. Indstil [LNA (kanal ---)] til [Fra] i digitale tuningindstillinger.
- Efter flytning til et nyt hus eller forsøg på at modtage nye tjenester, forsøg en tjenestsøgning ved at vælge [Digital programindstilling].

Satellit-service kan ikke modtages.

- Kontrollér satellit-kabelforbindelsen.
- Når [Intet signal. LNB-overbelastning...] meddelelsen vises, skal du tage stikket ud af stikkontakten. Sørg så for, at satellitkablet ikke er beskadiget, og satellitsignal-linjen er ikke kortsluttet i satellit-stikket.

Fjernbetjeningen virker ikke.

- Udskift batterierne.

Børnesikringen til sendesystem-adgangskoden er blevet glemt.

- Indtast 9999 for PIN-koden, og vælg [Skift PIN-kode].

Tv'ets omgivelser bliver varme.

- Når tv'et bruges i en længere periode, bliver tv'ets omgivelser varme.
Du kan mærke, at det er varmt ved at berøre det med hånden.

Specifikationer

System

Panelsystem

LCD-panel (flydende krystal), LED-baggrundslys

Tv-system

Afhænger af land/områdevalg/tv-model

Analog: B/G, D/K, I

Digital: DVB-T/DVB-C
DVB-T*

Satellit*: DVB-S/DVB-S2

Farvesystem

PAL, SECAM, NTSC3.58 (kun video), NTSC4.43
(kun video)

Kanaldækning

Afhænger af land/områdevalg/tv-model

Analog: UHF/VHF/kabel-tv

Digital: UHF/VHF/kabel-tv

Satellit*: IF-frekvens 950-2.150 MHz

Lydeffekt

KD-75XE94xx, KD-65XE93xx: 10 W + 10 W + 10 W +
10 W + 10 W + 10 W

KD-55XE93xx: 5 W + 5 W + 10 W + 10 W + 10 W +
10 W

Trådløs teknologi

Protokol IEEE802.11ac/a/b/g/n
(IEEE802.11ac er ikke tilgængelig i alle lande/
områder).

Bluetooth Version 4.1

Frekvensbånd: WLAN 2,4 GHz/5 GHz,

Bluetooth 2,4 GHz

Radiofrekvenssender: 100 mW MAKS

TV-softwareversion:

PKG_..._...EUA

Tryk på **HELP** på fjernbetjeningen for at se
softwareversionen.

* Ikke alle tv-sæt har DVB-T2 eller DVB-S/S2-teknologi
eller satellitantenneterminal.

Indgangs-/Udgangsstik

Antennekabel

75 ohm, eksternt stik til VHF/UHF

Satellitantenne

Hunstik af F-type stik, 75 ohm.

DiSeqC 1.0, LNB 13 V/18 V & 22 kHz-tone,

Enkeltkabeldistribution EN50494.

AV IN 1

Video-/lydindgang (minijack)

COMPONENT IN

YPbPr (komponentvideo): 1080p (50, 60 Hz), 1080i
(50, 60 Hz), 720p (50, 60 Hz), 576p, 576i, 480p,
480i

Lydindgang (phono-jackstik)

AV IN 2

Videoindgang (almindeligt phonostik med
Y-indgang)

HDMI IN 1, 2, 3, 4 (understøtter 4K-opløsning,
HDCP 2.2-kompatibel)

Video:

4096 × 2160p (50, 60 Hz)*1*2, 4096 × 2160p
(24 Hz)*1, 3840 × 2160p (50, 60 Hz)*2,
3840 × 2160p (24, 25, 30 Hz), 1080p (30, 50,
60 Hz), 1080/24p, 1080i (50, 60 Hz), 720p
(30, 50, 60 Hz), 720/24p, 576p, 576i, 480p, 480i,
Pc-formater

*1 Når 4096 × 2160p er input, vises 3840 × 2160p.

*2 kun HDMI IN 2 / 3.

Lyd: 5,1-kanals lineær PCM: 32, 44,1, 48, 88,2, 96,
176,4 og 192 kHz, 16, 20 og 24 bit, Dolby Digital,
Dolby Digital Plus og DTS

ARC (Audio Return Channel) (kun HDMI IN 3)

(to-kanals lineær PCM: 48 kHz, 16 bit, Dolby
Digital, Dolby Digital Plus, DTS)

DIGITAL AUDIO OUT (OPTICAL)

Digitalt optisk stik (to-kanals lineær PCM: 48 kHz,
16 bit, Dolby Digital, DTS)

AUDIO OUT (Mini-stereostik)

Hovedtelefon, lydudgang, subwoofer

1, 2, SS 3 (HDD REC)*1

USB-port (SS) 3 USB HDD-enhed til REC-
funktion)

USB-port 1 og 2 understøtter High Speed USB
(USB2.0).

USB-port 3 understøtter Super Speed USB
(USB3.0).



CAM (Conditional Access Module)-holder

LAN

10BASE-T/100BASE-TX-stik

(Forbindelseshastigheden kan variere, afhængigt
af netværksmiljøet. 10BASE-T/100BASE-TX-
kommunikationshastigheden og -kvaliteten
garanteres ikke for dette tv.)

DC IN 24 V (kun modeller med

medfølgende netadapter)

Netadapterens indgang

IR BLASTER*1

IR Blaster kabelindgang (minijack-stik)

Andre

Ekstraudstyr

Beslag til vægmontering: SU-WL845

(Kun KD-75XE94xx, KD-65XE93xx)

Beslag til vægmontering: SU-WL840

(Kun KD-55XE93xx)

Beslag til vægmontering: SU-WL450

(Kun KD-65/55XE93xx)

Driftstemperatur
0 °C til 40 °C

Fugtighed
10 % til 80 % RH (ikke-kondenserende)

Strøm, datablad og andet

Strømkraft

undtaget modeller med medfølgende netadapter
220 V - 240 V AC, 50 Hz
kun modeller med medfølgende netadapter
24 V DC med netadapter
Mærkning: Input 220 V - 240 V AC, 50 Hz

Lavenergiklasse

KD-75XE94xx: B
KD-65XE93xx: A
KD-55XE93xx: B

Skærmstørrelse (målt diagonalt) (Ca.)

KD-75XE94xx: 189,3 cm / 75 tommer
KD-65XE93xx: 163,9 cm / 65 tommer
KD-55XE93xx: 138,8 cm / 55 tommer

Strømforsøg

i [Standard] tilstand

KD-75XE94xx: 298 W
KD-65XE93xx: 164 W
KD-55XE93xx: 137 W

i [Kraftig] tilstand

KD-75XE9405: 495 W
KD-65XE9305: 294 W
KD-55XE9305: 227 W

Gennemsnitligt årligt energiforbrug*2

KD-75XE94xx: 413 kWh
KD-65XE93xx: 227 kWh
KD-55XE93xx: 190 kWh

Strømforsøg i standby*3*4

0,50 W (27 W i software-/EPG-
opdateringstilstand)

Skærmopløsning

3.840 punkter (vandret) × 2.160 linjer (lodret)

Udgangseffekt

USB 1/2: 5 V, ---, 500 mA MAKS
USB 3: 5 V, ---, 900 mA MAKS

Mål (Ca.) (b × h × d)

Inkl. tv-fod

KD-75XE94xx: 167,3 × 103,7 × 32,5 cm
KD-65XE93xx: 145,1 × 91,3 × 29,5 cm
KD-55XE93xx: 123,2 × 79,0 × 28,2 cm

Uden tv-fod

KD-75XE94xx: 167,3 × 96,2 × 6,2 cm
KD-65XE93xx: 145,1 × 83,8 × 3,9 cm
KD-55XE93xx: 123,2 × 71,5 × 4,0 cm

Vægt (Ca.)

Inkl. tv-fod

KD-75XE94xx: 47,6 kg
KD-65XE93xx: 42,4 kg
KD-55XE93xx: 32,6 kg

Uden tv-fod

KD-75XE94xx: 42,8 kg
KD-65XE93xx: 38,2 kg
KD-55XE93xx: 28,6 kg

*1 Kun ved begrænset region/land/TV-model.

*2 Energiforsøg pr. år baseret på tv'ets strømforsøg ved brug 4 timer om dagen 365 om året. Det egentlige energiforsøg afhænger af, hvordan tv'et bruges.

*3 Den angivne standbyeffekt nås, når tv'et har afsluttet nødvendige interne processer.

*4 Strømforsøget i standby øges, når TV'et er tilsluttet netværket.


Bemærk

- Fjern ikke dækslet over indgangen til TV CAM (Conditional Access Module) med mindre, der skal indsættes et chipkort i CAM'et.
- Tilgængeligheden af ekstra tilbehør afhænger af land/område/tv-model/lager.
- Design og specifikationer kan ændres uden varsel.

Bemærkninger om digital TV-funktion

- Digitale tv (DVB terrestrisk, satellit og kabel), interaktive tjenester og netværksfunktioner er muligvis ikke tilgængelige i alle lande eller områder. Nogle funktioner er muligvis ikke aktiveret eller fungerer måske ikke korrekt hos nogle leverandører og netværksmiljøer. Nogle tv-udbydere kan opkræve et gebyr for deres ydelser.
- Dette TV understøtter digital udsendelse ved hjælp af MPEG-2, H.264/MPEG-4 AVC og H.265/HEVC codec, men kompatibilitet med alle operatør/service-signaler, som kan ændre sig over tid, kan ikke garanteres.

Oplysninger om varemærker

- HDMI, High-Definition Multimedia Interface og HDMI-logoet er varemærker eller registrerede varemærker for HDMI Licensing LLC i USA og andre lande.
- Fremstillet under licens fra Dolby Laboratories.
Dolby, Dolby Audio og det dobbelte D-symbol er varemærker tilhørende Dolby Laboratories.
- "BRAVIA" og BRAVIA er varemærker tilhørende Sony Corporation.
- Gracenote, Gracenote eyeQ, Gracenote VideoID, Gracenote Video Explore, Gracenote- logoet og logotypen samt "Powered by Gracenote"-logoet er enten registrerede varemærker eller varemærker tilhørende Gracenote i USA og/eller andre lande.
- Opera® Devices SDK. Copyright 1995-2016 Opera TV AS. All rights reserved.
- Wi-Fi, Wi-Fi Direct, Miracast, Wi-Fi Protected Setup og det Wi-Fi CERTIFIED Logo er varemærker eller registrerede varemærker tilhørende Wi-Fi Alliance.
- For DTS-patenter henvises til <http://patents.dts.com>. Fremstillet under licens fra DTS, Inc.
DTS, Symbol, & DTS og Symbol er sammen registrerede varemærker og DTS Digital Surround er et varemærke tilhørende DTS, Inc. © DTS, Inc. Alle rettigheder forbeholdes.
- Bluetooth® ordmærket og logoer er registrerede varemærker ejet af Bluetooth SIG, Inc., og enhver anvendelse af sådanne mærker anvendes af Sony Corporation under licens. Andre varemærker og handelsnavne tilhører deres respektive ejere.
- DiSEqC™ er et varemærke tilhørende EUTELSAT.
Dette tv understøtter DiSEqC 1.0. Dette tv er ikke beregnet til at styre motoriserede antenner.
- TUXERA er et registreret varemærke tilhørende Tuxera Inc. i USA og andre lande.
- USB-IF SuperSpeed USB Trident-logoet er et registreret varemærke tilhørende USB Implementers Forum, Inc. 

Sisällysluettelo

TÄRKEÄ HUOMAUTUS.....	2
Turvallisuus-ohjeet.....	3
Varotoimenpiteet.....	6
Osat ja säätimet.....	8
Säätimet ja ilmaisimet.....	8
Kaukosäätimen käyttäminen.....	9
Kaukosäätimen osien kuvaus.....	9
Liitäntäkaavio.....	11
Television asennus seinälle.....	13
Lisävarusteena saatavan seinäasennuskiinnittimen käyttäminen.....	13
SU-WL845 (KD-75XE94xx, KD-65XE93xx), SU-WL840 (KD-55XE93xx).....	14
SU-WL450 (Vain KD-65/55XE93xx).....	14
Vain KD-75XE94xx, KD-55XE93xx.....	16
Vianetsintä.....	19
Ongelmat ja ratkaisut.....	19
Tekniset tiedot.....	20

Internet-yhteys ja tietosuojat

Tämä tuote yhdistyy Internetiin, Internet-yhteyden varmistamiseksi, alkuasennuksen aikana heti, kun verkko on kytketty ja myöhemmin Kotivalikon määrittämiseksi. IP-osoitettasi käytetään tässä ja kaikissa muissa Internet-yhteyksissä. Jos et halua IP-osoitettasi käytettävän ollenkaan, älä aseta langatonta Internet-toimintoa, äläkä yhdistä Internet-johtoa. Katso yksityisyysdenuoiantiedot, jotka on esitetty asetusikkunoissa, saadaksesi lisätietoja Internet-yhteyksistä.

Johdanto

Kiitos, että valitsit tämän Sonyn tuotteen.
Lue nämä käyttöohjeet huolellisesti, ennen kuin alat käyttää televisiota. Säilytä käyttöohjeet tulevaa tarvetta varten.

Huomautus

- Lue ennen TV:n käyttöä "Turvallisuus-ohjeet" (sivu 3).
- Asetusoppaassa ja tässä käyttöohjeessa käytetyt kuvat ja piirrookset ovat ohjeellisia ja voivat poiketa kyseisestä tuotteesta.
- Mallinimen "xx"-kirjain vastaa numeroa, joka liittyy rakenteeseen, väriin tai TV-järjestelmään.

Asetusoppaan sijainti

Asetusoppas on TV:n laatikossa pehmusteen päällä.

Ohje/Käyttöopas

Ohje-toiminto tarjoaa paljon tietoja televisiostasi. Voit käyttää Ohje-toimintoa painamalla kaukosäätimen **HELP**-painiketta. Voit katsoa ohjeita ja viannäilytietoja luettelosta tai avainsanahauulla. Näytä käyttöopas valitsemalla [Käyttöopas] Ohje-valikosta. Jos liität television Internetiin, Ohje-toiminto ja tiedot päivitetään.

Tunnistemerkitöjen sijainti

Mallinumerotiedot, valmistuspäivämäärä (vuosi/kuukausi) ja jännitemerkintä sijaitsevat television takaoassa tai pakkauksessa. Ne löytyvät poistamalla jalustan kansi ja keskuskanssi.

Malleille, joiden toimitukseen sisältyy verkkolaite: Verkkolaitteen mallinumero- ja sarjanumerotiedot sijaitsevat verkkolaitteen pohjassa.

VAROITUS

ÄLÄ SIOITA

KYNTTILÄÄ TAI MUUTA

AVOTULTA TÄMÄN TUOTTEEN

LÄHELLE, JOTTA VÄLTÄT

TULIPALON VAARAN.



TÄRKEÄ HUOMAUTUS

Tämä tuote on valmistettu Sony Corporationin puolesta, Sony Corporation, 1-7-1 Konan Minato-ku Tokyo, 108-0075 Japani. Tämän tuotteen Euroopan Unionin lainsäädännön vaatimustenmukaisuutta koskevat kyselyt tulee osoittaa valtuutetulle edustajalle, Sony Belgium, bijkantor van Sony Europe Limited, Da Vincilaan 7-D1, 1935 Zaventem, Belgia. Huolto tai takuu asioita koskevat kyselyt pyydämme ystävällisesti osoittamaan takuu tai huolto dokumenteissa mainituille edustajille.

Radiolaitteisiin liittyvä huomautus



Sony Corporation vakuuttaa täten, että radiolaitteet tyyppejä KD-75XE9405, KD-65XE9305, KD-55XE9305 noudattavat direktiivin 1999/5/EY olennaisia vaatimuksia ja muita asiaan liittyviä kohtia. Lisätietoja on URL-osoitteessa <http://www.compliance.sony.de/>

Tätä radiolaitetta voidaan käyttää EU:n alueella loukkaamatta sovellettavia vaatimuksia radiotaajuuksien käytöstä.

Huomautus asiakkaille: seuraavat tiedot koskevat ainoastaan laitteita, joita myydään EU:n direktiivejä noudattavissa maissa.

Langatonta televisiojärjestelmää voi käyttää seuraavissa maissa: AT, BE, HR, CY, CZ, DK, EE, FI, FR, DE, EL, HU, IE, IT, LV, LT, LU, MT, NL, PL, PT, SK, SI, ES, SE, UK, IS, LI, NO, CH, BG, RO, TR, AL, BA, MK, MD, RS, ME, Kosovo

Tätä laitetta voidaan käyttää muissa Euroopan ulkopuolisissa maissa.

Turvallisuus-ohjeet

VAROITUS

Älä jätä pariistoja alttiiksi kuumuudelle, kuten auringonpaisteelle tai avotulelle.

Älä koskaan sijoita televisiota epävakaaan paikkaan. Televisio saattaa pudota ja aiheuttaa vakavan loukkaantumisen tai kuoleman. Usein erityisesti lasten loukkaantuminen voidaan välttää noudattamalla seuraavia yksinkertaisia varotoimia:

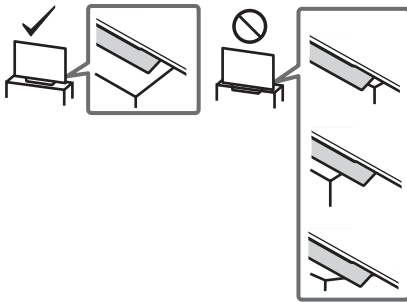
- Käytä television valmistajan suosittelemaa kaappia tai jalustaa.
 - Käytä vain huonekaluja, jotka kantavat television painon turvallisesti.
 - Varmista, että televisio ei ulotu sen alla olevan huonekalun reunojen ulkopuolelle.
 - Älä sijoita televisiota korkean huonekalun päälle (esimerkiksi kaappi tai kirjahylly) kiinnittämättä huonekalua ja televisiota soveltuvaan tukeen.
 - Älä aseta television ja sen alustan väliin liinoja tai muita materiaaleja.
 - Opetä lapsille, että huonekalujen päälle kipeäminen televisioon tai sen säätimiin ulottumiseksi on vaarallista.
- Jos säilytät vanhan televisiosi ja siirrät sen toiseen paikkaan, huomioi samat seikat sen sijoittelussa.

Asennus ja käyttö

Noudata television asennuksessa ja käytössä seuraavia ohjeita välttääksesi tulipalon tai sähköiskun vaaran tai laitteen vaurioitumisen ja/tai henkilövahingot.

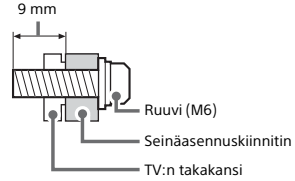
Asennus

- Televisio on sijoitettava helposti käsillä olevan verkkopistorasian lähelle.
- Aseta TV tukevalle, tasaiselle alustalle, ettei se kaadu ja aiheuta henkilö- tai omaisuusvahinkoja.
- Asenna televisio paikkaan, jossa sitä ei voida vetää, työntää tai kaataa.
- Asenna televisio niin, ettei sen pöytäjalusta työnny televisiojalustan ulkopuolelle (ei sisälly toimitukseen). Jos pöytäjalusta työnny televisiojalustan ulkopuolelle, se voi aiheuttaa television kaatumisen, putoamisen tai henkilövahingon tai television vaurioitumisen.

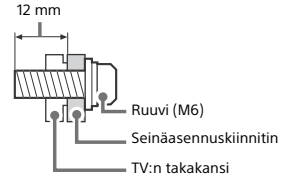


- Seinäasennuksen saa suorittaa ainoastaan asiantunteva henkilö.
- Turvallisuussyistä on erittäin tärkeää käyttää Sonyn varusteita:
 - Seinäasennuskiinnitin SU-WL845 (Vain KD-75XE94xx, KD-65XE93xx)
 - Seinäasennuskiinnitin SU-WL840 (Vain KD-55XE93xx)
 - Seinäasennuskiinnitin SU-WL450 (Vain KD-65/55XE93xx)

- Muista käyttää seinäasennuskiinnittimen mukana toimitettuja ruuveja, kun kiinnität seinäasennuskiinnittimen TV-vastaanottimeen. Mukana toimitetut ruuvit on suunniteltu kuvan mukaisesti seinäasennuskiinnittimen asennuspinnasta mitattuna. Ruuvien halkaisija ja pituus vaihtelevat riippuen seinäasennustelineen mallista. Muiden kuin mukana toimitettujen ruuvien käyttö voi aiheuttaa vaurioita television sisäosiin, television putoamisen tai muuta vahinkoa.
 - Valinnainen seinäasennuskiinnitin (Vain SU-WL845, SU-WL840)
 - Yläpuoli

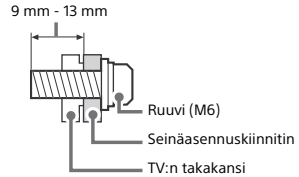


Alapuoli

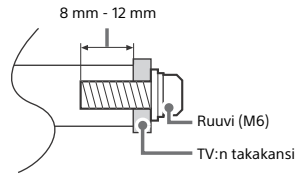


- Valinnainen seinäasennuskiinnitin (Paitsi SU-WL845, SU-WL840)

KD-75XE94xx

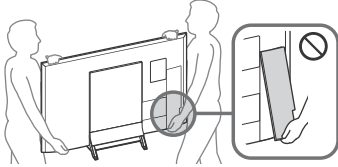
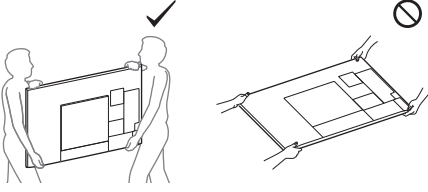


KD-65/55XE93xx

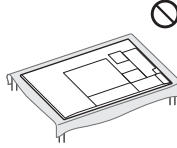


Laitteen kuljettaminen ja siirtäminen

- Irrota kaikki kaapelit ennen television siirtämistä.
- Suurikokoisen television siirtämisessä tarvitaan vähintään kaksi henkilöä.
- Kun TV:tä kuljetetaan käsin, pidä siitä kiinni alla olevan mukaisesti. Älä paina LCD-näytön pintaa tai näytön ympärillä olevaa kehystä.

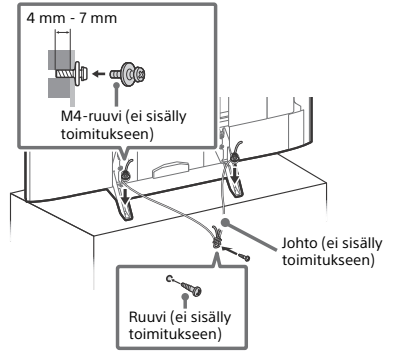
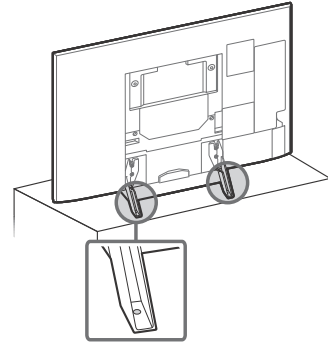


- Kun käsittelet tai asennat TV:tä, pidä se pystyasennossa.



- Älä altista laitetta iskuille tai liialliselle värähtelylle kuljetuksen aikana.
- Kun toimitat television huoltoon, tai kun kuljetat sitä muuton yhteydessä, pakkaa laite alkuperäiseen pakkaukseen ja suoja se alkuperäisillä pakkausmateriaaleilla.

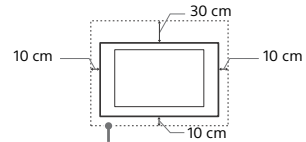
Kaatumisen estäminen



Ilmanvaihto

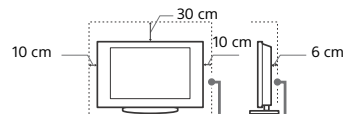
- Älä peitä television ilmanvaihtoaukkoja äläkä työnnä mitään kotelon sisään.
- Jätä television ympärille tilaa alla olevan kuvan mukaisesti.
- Sonyn seinäasennustelineen käyttäminen on erittäin suositeltavaa riittävän ilmankierron varmistamiseksi.

Asennus seinälle



Television ympärille jätettävä minimi tila.

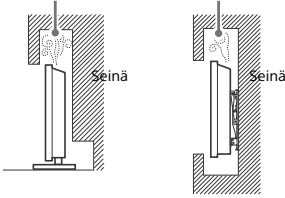
Asennus jalustalle



Television ympärille jätettävä minimi tila.

- Noudata seuraavia ohjeita varmistaaksesi asianmukaisen ilmanvaihdon ja estääksesi lian tai pölyn kerääntymisen:
 - Älä asenna televisiota takaosan varaan, ylösalaisin, takaperin tai sivuttain.
 - Älä sijoita televisiota hyllyn, maton tai vuoteen päälle tai kaapin sisälle.
 - Älä peitä televisiota millään tekstiilillä tai muilla vastaavilla, esimerkiksi verhoilla tai sanomalehdellä jne.
 - Älä asenna televisiota alla olevien kuvien mukaisesti.

Ilmankierto estynyt.



Verkkovirtajohto

Noudata verkkovirtajohdon ja pistorasian käsittelyssä seuraavia ohjeita välttääksesi tulipalon tai sähköiskun vaaran, laitteen vaurioitumisen ja/tai henkilövahingot:

- Käytä ainoastaan Sonyn verkkovirtajohtoa. Älä käytä muiden valmistajien johtoja.
- Työnä pistoke kunnolla pistorasiaan.
- Television saa kytkä ainoastaan verkkovirtaan 220 V - 240 V AC.
- Irrota verkkovirtajohto pistorasiasta kaapeleiden asennuksen ajaksi turvallisuuden vuoksi. Varo kompastumasta kaapeleihin.
- Irrota verkkovirtajohto pistorasiasta ennen kuin teet mitään toimenpiteitä televisiolle tai siirät sitä.
- Pidä verkkovirtajohto etäällä lämmönlähteistä.
- Irrota pistoke pistorasiasta ja puhdista se säännöllisin väliajoin.
- Pistoke on pölyinen ja siihen tiivistyy kosteutta, sen eriste voi vaurioitua ja seurauksena voi olla tulipalo.

Huomautus

- Älä käytä television mukana toimitettua verkkovirtajohtoa minkään muun laitteen virtaliitännässä.
- Älä purista, taivuta tai kierrä verkkovirtajohtoa voimakkaasti. Johtimet voivat paljastua tai rikkoutua.
- Älä tee muutoksia verkkovirtajohdointoon.
- Älä aseta raskaita esineitä verkkovirtajohdon päälle.
- Kun irrotat pistokkeen pistorasiasta, älä vedä johdosta.
- Älä kytke liian montaa laitetta samaan pistorasiaan.
- Älä käytä vääranlaista tai viallista pistorasiaa.

VERKKOLAITETTA KOSKEVA HUOMAUTUS (vain mallit, joiden toimitukseen sisältyy verkkolaite)

Varoitus

Suojaa tämä laite sateelta ja kosteudelta tulipalo- ja sähköiskuvaaran estämiseksi.

Älä aseta maljakoita tai muita nesteitä sisältäviä esineitä laitteen päälle tulipalo- ja sähköiskuvaaran vuoksi. Älä asenna tätä laitetta suljettuun tilaan, esimerkiksi kirjahyllyyn tai vastaavaan.

- Varmista, että pistorasia on lähellä laitetta ja että siihen on helppo päästä käsiksi.
- Varmista, että käytät toimitettua verkkolaitetta ja virtajohtoa.
- Älä käytä mitään muuta verkkolaitetta. Se voi aiheuttaa toimintahäiriön.
- Liitä verkkolaite helposti käsillä olevaan pistorasiaan.
- Älä käännyt virtajohtoa verkkolaitteen ympärille. Sydänlanka saattaa katketa ja/ tai se voi aiheuttaa toimintahäiriön mediavastaanottoimeen.



- Älä koske verkkolaitteeseen märillä käsillä.
- Jos havaitset verkkolaitteen toiminnassa jotain tavallista poikkeavaa, irrota se heti pistorasiasta.
- Vastaanotinta ei kytketä irti verkkovirrasta niin kauan kuin se on liitetty pistorasiaan, vaikka siitä olisi katkaistu virta.
- Koska verkkolaite lämpenee pitkäaikaisessa käytössä, se saattaa tuntuu kuumalta, kun sitä kosketaan kädellä.

Kielletyt käyttötavat

Älä asenna tai käytä televisiota seuraavassa kuvatuissa paikoissa, ympäristöissä tai tilanteissa. Seurauksena voi olla toimintahäiriöitä, jotka aiheuttavat tulipalon, sähköiskun, laitteen vaurioitumisen ja/tai henkilövahingon.

Kielletty sijoituspaikat:

- Ulkotilat (suora auringonpaiste), merenranta, laiva tai muu alus, joihin suojauksia, terveydenhoitolaitokset, epävakaat sijoituspaikat, altistus vedelle, sateelle, kosteudelle tai savulle.

Kielletty ympäristö:

- Kuuma, kostea ja hyvin pölyinen ympäristö; paikat, joissa television sisään voi mennä hyönteisiä tai joissa televisio voi joutua alttiiksi tärinälle; tulenarjien esineiden läheisyys (kynttilät jne.). Television päälle ei saa tiputtaa tai roiskuttaa mitään nesteitä eikä sen päälle saa laittaa nesteillä täytettyjä esineitä (esim. kukkamaljakko).

Kielletyt tilanteet:

- Käytä kostein käsin, suojapaneeli irrotettuna tai sellaisten lisälaitteiden kanssa, jotka eivät ole valmistajan hyväksymiä. Irrota television virtapistoke ja antennin pistoke pistorasiasta ukkosmyrskyn aikana.
- Asentaa TV niin, että se ulottuu avoimeen tilaan. Television törmäävä henkilö tai esine voi vahingoittaa sitä.



- Sijoittaa TV kosteaan tai pölyiseen ympäristöön tai huoneeseen, jossa on öljyistä savua tai höyryä (keittolevyjien tai ilmapöytäpatterien läheisyyteen). Tästä voi olla seurauksena tulipalo, sähköisku tai tuotteen vääntyminen.
- Asentaa TV paikkaan, jossa se altistuu äärimmäisille lämpötiloille, kuten suoraan auringonpaisteeseen, lämpöpatterin tai lämmityskanavan läheisyyteen. Televisio voi ylikuumentua tällaisissa olosuhteissa, mistä voi olla seurauksena sen kotelon vääntyminen ja/tai toimintahäiriö.



- Jos televisio sijoitetaan kylpylän tai kuuman lähteen pukuhuoneeseen, rikkihöyryt jne. voivat vahingoittaa televisiota.



- Älä aseta ruutua suoraan keino- tai auringonvaloon. Se huonontaa kuvan laatua.
- Vältä television siirtämistä kylmältä lämpimään. Äkilliset huonelämpötilan muutokset voivat aiheuttaa kosteuden tiivistymistä. Tämä voi heikentää television kuvanlaatua ja/tai väritoistoa. Jos näin käy, anna kosteuden haihtua kokonaan ennen virran kytkemistä televisioon.

Särkyminen vaara:

- Älä heitä mitään televisiota kohti. Näytön lasi voi särkyä iskun voimasta aiheuttaen vakavia vammoja.
- Jos television näytön pintaan tulee vaurioita, älä koske siihen ennen kuin olet irrottanut virtajohdon pistorasiasta. Sähköiskun vaara.

Kun televisiota ei käytetä

- Jos et käytä televisiota useaan päivään, kytke se irti verkkovirrasta ympäristö- ja turvallisuussyistä.
- Televisio ei kytkeydy kokonaan irti verkkovirrasta, kun se kytketään pois päältä virtakytkimellä. Kytke televisio kokonaan irti verkkovirrasta irrottamalla pistoke verkkopistorasiasta.
- Joissakin televisioissa voi olla toimintoja, jotka toimiakseen edellyttävät television olevan valmiustilassa.

Lasten turvallisuus

- Älä anna lasten kiivetä television päälle.
- Pidä kaikki varusteet poissa lasten ulottuvilta, jotta lapset eivät vahingossa näläise pikkuesineitä.

Toimintaohjeet ongelmatilanteissa...

Katkaise virta televisiosta ja irrota pistoke pistorasiasta välittömästi, jos jokin alla mainituista ongelmatilanteista esiintyy. Toimita televisio tarkastettavaksi valtuutettuun huoltoon jälleenmyyjän tai Sonyn huoltokeskuksen kautta.

Ongelmatilanteet:

- Verkkovirtajohto on vaurioitunut.
- Pistoke ei ole sopiva.
- Televisio on vaurioitunut putoamisen, iskun tai törmäyksen vuoksi.
- Televisio sisään on päässyt nestettä tai esineitä.

Tietoja LCD-TV:n lämpötilasta

Jos LCD-TV:tä käytetään pitkiä aikoja, paneelin ympäristö lämpenee. Kädellä kokeiltaessa se voi tuntua kuumalta.

Varoitusmerkit

Televisio katseleminen

- Katsele televisiota kohtuullisessa valaistuksessa, sillä katselu heikossa valaistuksessa tai pitkän aikaa rasittaa silmiä.
- Säädä äänenvoimakkuus kuuloalokkeita käytettäessä riittävän pieneksi, sillä suuri äänenvoimakkuus voi vahingoittaa kuuloa.

LCD-näyttö

- LCD-näyttö on valmistettu pitkälle kehitetyn teknologian mukaisesti, ja siinä on tehokkaita pikseleitä vähintään 99,99 %. LCD-näytössä voi näkyä jatkuvasti mustia pisteitä tai kirkkaita valopisteitä (punainen, sininen tai vihreä). Tämä on LCD-näytön normaali ominaisuus eikä siis merkki viasta.
- Älä paina tai raaputa näytön pintaa äläkä laita mitään esineitä television päälle. Kuva voi muuttua epätasaiseksi tai LCD-näyttö voi vahingoittua.
- Jos televisiota käytetään kylmässä paikassa, kuvaan saattaa tulla vääristymiä tai kuva voi tummua. Tämä ei ole merkki viasta. Nämä ilmiöt häviävät lämpötilan noustessa.
- Jos näyttöön jätetään liikkumaton kuva pitkäksi ajaksi, näyttöön saattaa jäädä jälkikuva. Sen pitäisi kuitenkin kadota jonkin ajan kuluessa.
- Näytön ja kotelon lämpeneminen television käytön aikana on normaalia.
- LCD-näyttö sisältää pienen määrän nestekeiteitä. Noudata paikallisia jätehuoltomääräyksiä.

Televisio näytön pinnan ja kotelon käsitteleminen ja puhdistaminen

Irrota televisioon kytketty virtajohto pistorasiasta aina ennen television puhdistusta. Noudata seuraavia ohjeita välttääksesi vahingoittamasta kotelon tai näytön pintaa.

- Pyyhi pöly varovasti näytön pinnasta tai kotelosta pehmeällä liinalla. Jos pöly ei lähde pois helposti, pyyhi näyttö pehmeällä liinalla, joka on kostutettu laimealla pesuaineliuoksella.
- Älä koskaan ruiskuta vettä tai pesuainetta suoraan televisionon. Sitä voi valua näytön alosaan tai ulkopuolisiin osiin ja päästä television sisään, mikä voi aiheuttaa vaurioita televisiolle.
- Älä käytä hankaustyynyjä, hapanta tai emäksistä pesuainetta, hankausjauhetta tai luotinta, kuten alkoholia, bensiiniä tai tinneriä, tai hyönteismyrkyä. Tällaisten aineiden käyttö tai pitkäaikainen kosketus kumin tai vinyylin kanssa voi vahingoittaa näytön ja kotelon pintaa.
- Älä koske TV:hen, jos käsissäsi jotakin kemiallista ainetta, kuten käsi- tai aurinkovoidetta.



- Ilmanvaihtoaukot on suositeltavaa imuroida säännöllisin väliajoin hyvän ilmanvaihdon varmistamiseksi.
- Kun säädät television katselukulmaa, siirrä laitetta varovasti, jotta se ei irtoa tai luiskahda pois pöytäjalustalta.

Lisälaitteet

- Pidä kaikki sähkömagneettista säteilyä aiheuttavat lisävarusteet tai laitteet poissa television läheltä. Sähkömagneettinen säteily voi aiheuttaa häiriöitä kuvaan ja/tai ääneen kohinaa.
- Tämä laite on testattu ja sen on todettu noudattavan EMC-direktiivissä esitettyjä rajoja, kun käytetään yhteisyysnäyttöä, joka on lyhyempi kuin 3 metriä.
- Tämä laite on testattu ja sen on todettu noudattavan EMC-direktiivissä esitettyjä rajoja, kun antenni-/satelliitti-TV-liitäntään käytetään RF-johtoa, joka on lyhyempi kuin 30 metriä.

Suosittelu F-tyypin liitin

Sisäjohtimen ulkonema liitäntäosasta on oltava alle 1,5 mm.



(Viitteellinen kuva F-tyypin liittimestä)

Laitteen langattoman yhteyden toiminta

- Älä käytä laitetta lääketieteellisten laitteiden (kuten sydämentahdistimen) lähellä, jottei laitteiden toiminta häiriinny.
- Vaikka tämä laite lähettää ja vastaanottaa salattua signaalia, varmista kuitenkin, että signaalia ei kaapata. Sony ei vastaa signaalin kaappamisesta aiheutuvista seurauksista.
- Tämä laite on asennettava ja sitä on käytettävä siten, että laitteen antenni on vähintään 20 cm:n etäisyydellä käyttäjän kehosta.

Huomioitavaa kaukosäätimen käytössä

- Tarkista paristojen napaisuus paristoja asentaessasi.
- Älä käytä yhdessä erityyppisiä paristoja tai uusia ja vanhoja paristoja.
- Hävitä käytetyt paristot ympäristöstävällisesti. Joissakin maissa paristojen hävittämiseen liittyy määräyksiä. Kysy neuvoa paikalliselta viranomaiselta.
- Käsittele kaukosäädintä varovasti. Varo pudottamasta kaukosäädintä tai astumasta sen päälle. Älä myöskään kaada mitään nestettä kaukosäätimen päälle.
- Älä laita kaukosäädintä lämmönlähteen lähelle tai suoraan auringonvaloon. Älä myöskään pidä sitä kosteassa huoneessa.

Televisio käytöstäpoisto ja hävittäminen



Käytöstä poistettujen sähkö- ja elektroniikkalaitteiden hävittäminen (koskee Euroopan yhteisön ja muiden Euroopan maiden jätehuoltoa)

Tämä laitteeseen tai sen pakkaukseen merkitty symboli tarkoittaa, että laitetta ei saa käsitellä kotitalousjätteenä. Sen sijaan laite on toimitettava sähkö ja elektroniikkalaitteiden

kierrätyksestä huolehtivaan keräys- ja kierrätyspisteeseen. Varmistamalla, että tämä laite hävitetään asianmukaisesti, voit auttaa estämään mahdollisia ympäristö- ja terveyshaittoja, joita muuten voi aiheutua laitteen epäasianmukaisesta käsittelystä. Materiaalien kierrätys säästää luonnonvaroja. Lisätietoja laitteen käsittelystä, talteenotosta ja kierrätyksestä on saatavilla paikallisilta ympäristöviranomaisilta, jätehuoltokeskuksesta tai liikkeestä, josta laite on ostettu.



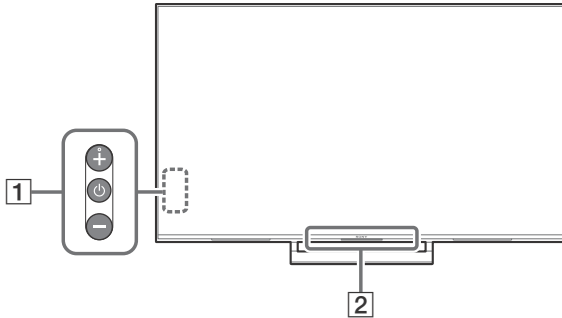
Käytöstä poistettujen paristojen hävitys (koskee Euroopan unionia sekä muita Euroopan maita, joissa on erillisiä keräysjärjestelmiä)

Tämä symboli paristossa tai sen pakkauksessa tarkoittaa, ettei paristoa lasketa normaalisti kotitalousjätteeksi. Tietyissä paristoissa tätä

symbolia voidaan käyttää yhdessä kemikaalia ilmaisevan symbolin kanssa. Paristoon on lisätty kemikaaleja elohopea (Hg) ja lyijyä (Pb) ilmaisevat symbolit, jos paristo sisältää enemmän kuin 0,0005 % elohopeaa tai enemmän kuin 0,004 % lyijyä. Varmistamalla, että paristo poistetaan käytöstä asiaan kuuluvalla tavalla, estetään mahdollisia negatiivisia vaikutuksia luonnolle ja ihmisten terveydelle, joita paristojen väärä hävittäminen saattaa aiheuttaa. Materiaalien kierrätys auttaa säästämään luonnonvaroja. Mikäli tuotteen turvallisuus, suorituskyky tai tietojen säilyminen vaatii, että paristo on kiinteästi kytketty laitteeseen, tulee pariston vaihto suorittaa valtuutetun huollon toimesta. Jotta varmistetaan, että käytöstä poistettu tuote käsitellään asianmukaisesti, tulee tuote viedä käytöstä poistettujen sähkö- ja elektroniikkalaitteiden vastaanottopisteeseen. Muiden paristojen osalta tarkista käyttöohjeesta miten paristo irroitetaan tuotteesta turvallisesti. Toimita käytöstä poistettu paristo paristojen vastaanottopisteeseen. Lisätietoja tuotteiden ja paristojen kierrätyksestä saa paikallisilta viranomaisilta, jäteyhtiöistä tai liikkeestä, josta tuote on ostettu.


Osat ja säätimet

Säätimet ja ilmaisimet

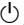



1 (Virta) /+/-

Kun TV on pois päältä,

Kytke virta painamalla .

Kun TV on päällä,

Paina  ja pidä sitä painettuna sammutusta varten.

Paina  toistuvasti toiminnon

vaihtamiseksi, paina sen jälkeen + tai – seuraavaa varten:

- Äänenvoimakkuuden säätö.
- Kanavan valinta.
- TV:n signaalilähteen valinta.

2 **Kaukosäädinanturi* / Valotunnistin* / Valaistuksen LED**

Valaistuksen LED syttyy tai vilkkuu TV:n tilan mukaan.

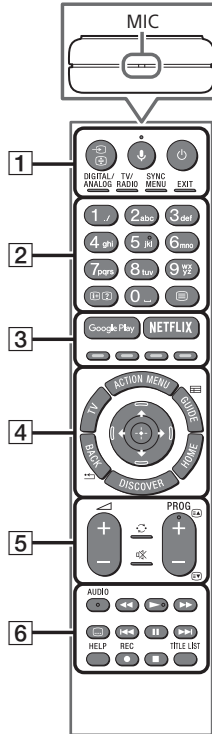
Lisätietoja on annettu Käyttöoppaassa.

* Älä aseta mitään tunnistimen läheisyyteen.

Kaukosäätimen käyttäminen

Kaukosäätimen osien kuvaus

Kaukosäätimen muoto sekä kaukosäätimen painikkeen sijainti, käytettävyys ja toiminta saattavat vaihdella alueen/maan/TV-mallin mukaan.



1 (Tulosignaalin valinta/tekstin pito)

TV-tilassa: Näytä ja valitse tulolähde.
Teksti-TV-tilassa: Aseta nykyinen sivu pitoon.

(Mikrofoni)

Käytä äänitoimintoa. (esim. etsi erilaisia sisältöjä äänen avulla.)

(TV-valmiustila)

Avaa tai sammuta TV (valmiustila).

DIGITAL/ANALOG

Vaihda digitaalisen ja analogisen tilan välillä.

TV/RADIO

Vaihda TV- ja RADIO-lähetysten välillä.

SYNC MENU

Tuo BRAVIA Sync -valikko näkyviin.

EXIT

Palaa edelliseen näyttöön tai poistu valikosta. Poistuu interaktiivisesta sovelluspalvelusta, jos sellainen on käytettävissä.

2 Numeropainikkeet

/ (Tiedot/tekstin paljastus)

Näytä tiedot.

(Teksti)

Näytä tekstitiedot.

3 Google Play

Siirry "Google Play"-verkkopalveluun.

NETFLIX (vain rajoitetuilla alueilla/maissa/TV-malleissa)

Siirry "NETFLIX"-verkkopalveluun.

Väripainikkeet

Suorittaa painiketta sillä hetkellä vastaavan toiminnon.

4 ACTION MENU

Näytä asiayhteyteen liittyvien toimintojen luettelo.

TV

- Vaihda TV-kanavalle tai ohjelmalähteelle muista sovelluksista.
- Kytke TV päälle, jotta TV-kanava tai ohjelmalähde tulee näkyviin.

GUIDE/

Näytä digitaalinen ohjelmaopas.

BACK/

Palaa edelliseen näyttöön.

HOME

Tuo TV:n Home-valikko näkyviin.

DISCOVER

Näytä Sisältöpalkki sisällön etsimistä varten.

/ / / / (Kohteen valinta/syöttö)

5 +/- (Äänvoimakkuus)

Säädä äänvoimakkuutta.

(Hyppää)



Siirry edestakaisin kahden kanavan tai signaalilähteen välillä. TV vaihtaa nykyisen kanavan tai signaalilähteen ja viimeksi valitun kanavan tai signaalilähteen välillä.

(Mykistys)

Mykistä ääni. Palauta ääni painamalla uudelleen.

PROG +/-/ /

TV-tilassa: Valitse kanava.

Teksti-TV-tilassa: Valitse seuraava () tai edellinen () sivu.

6 **AUDIO**

Vaihda parhaillaan katsottavan ohjelman kieli.



Käytä TV:n ja liitetyn BRAVIA Sync -yhteensopivan laitteen mediasisältöä.

(Tekstityksen asetukset)

Tuo tekstityksen näkyviin tai poistaa sen näkyvistä (kun toiminto on käytettävissä).

HELP

Näytä Ohje-valikko. Käyttöoppaaseen voidaan siirtyä täältä.

● **REC**

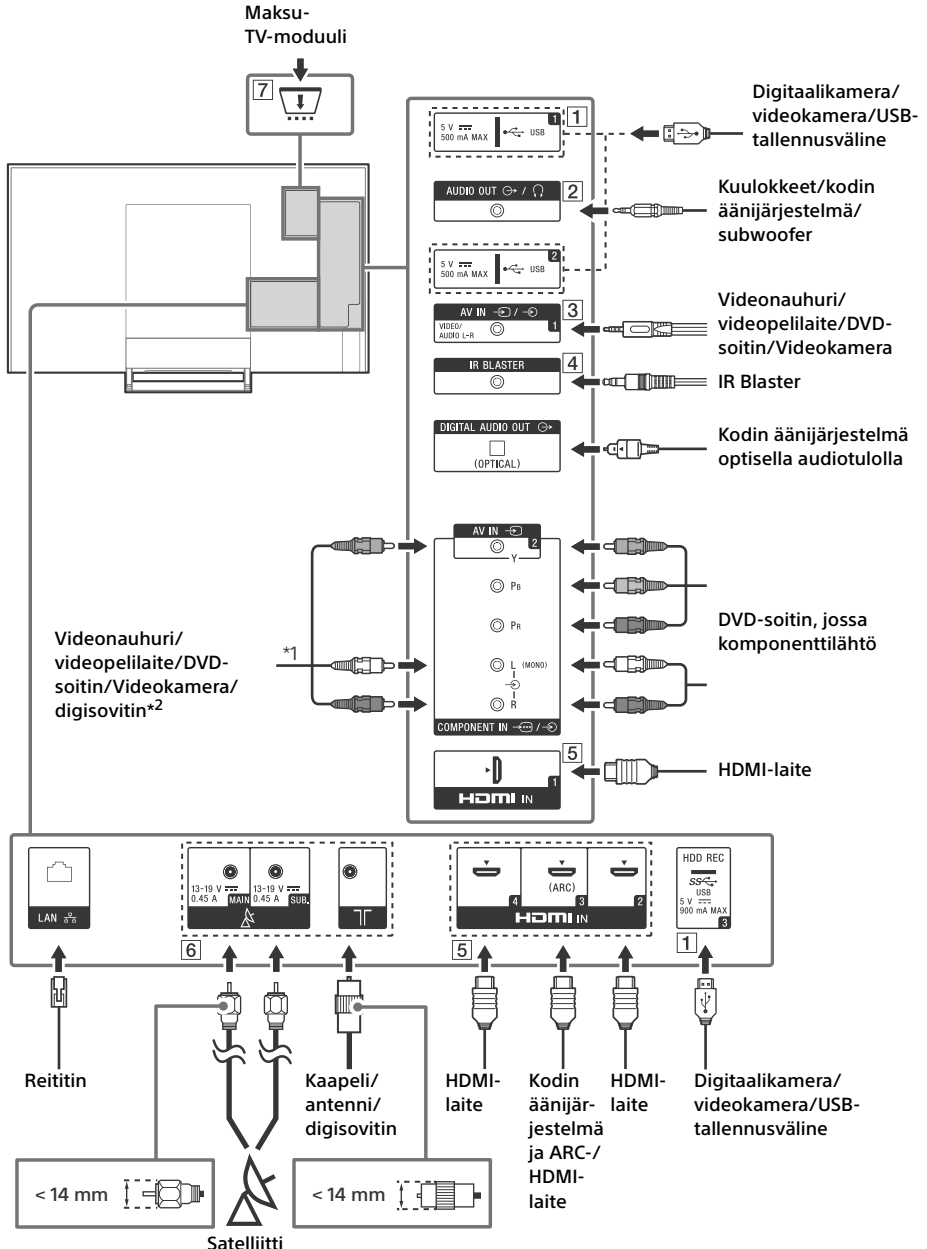
Tallentaa nykyisen ohjelman USB HDD -tallennustoiminnolla.

TITLE LIST

Näytä otsikkoluettelo.

Liitântäkaavio

Lisätietoja liitännöistä Käyttöoppaassa, paina **HELP** kaukosäätimestä.



1 USB 1/2, SS USB 3 (HDD REC)*³

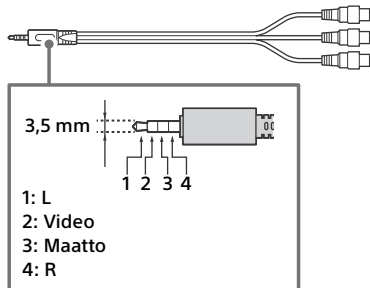
- Suurikokoisen USB-laitteen liittäminen saattaa häiritä muita liitettviä laitteita sen vieressä.
- Liitä suurikokoinen USB-laite USB 1-liitäntään.

2 AUDIO OUT \leftrightarrow / \curvearrowright

- Tukee vain 3-napaista stereominiliitintä.
- Jos haluat kuunnella TV:n ääntä liitetyn laitteen kautta, paina **HOME**. Valitse [Asetukset] → [Ääni] → [Kuuloke/äänilähtö] ja valitse sitten haluttu kohde.

3 \rightarrow / \rightarrow AV IN 1

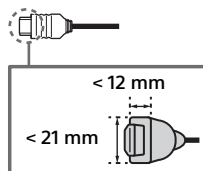
- Käytä analogista jatkokaapelia komposiittiliitäntöihin (ei sisälly toimitukseen).



4 IR BLASTER*³

5 HDMI IN 1/2/3/4

- Jos liität ARC-tekniikkaa (äänen paluukanava) tukevan digitaalisen äänijärjestelmän, käytä HDMI IN 3-liitäntää. Jos et käytä tätä liitäntää, on käytettävä lisäksi DIGITAL AUDIO OUT (OPTICAL)-liitäntää.



6 \triangle (Satelliittitulo), Γ (RF-tulo)

- Liitännät maanpäällisille/kaapeli- ja satelliittilähetyksille. Liitäntävaiheet: SUB. → Antenna → MAIN
- SUB-liitäntä: liitä vain, kun käytät kaksoisviritintilaa, paitsi kun käytössä on yhden kaapelin jakelu EN50494.

7 ∇ CAM (Maksu-TV-moduuli)

- Tällä toiminnolla voit käyttää maksullisia TV-palveluita. Lisätietoja on annettu CAM-moduulin mukana toimitetussa käyttöohjeessa.
- Älä aseta älykorttia suoraan TV:n CAM-korttipaikkaan. Kortti täytyy ensin asettaa valtuutetulta jälleenmyyjältä saatuun CAM-moduuliin.
- CAM-toimintoa ei tueta kaikissa maissa/kaikilla alueilla. Tarkista asia valtuutetulta jälleenmyyjältä.
- Kun siirryt digikanavalle Internet-videon käytön jälkeen, näkyviin voi tulla CAM-sanoma.

*1 Liitä monofonista ääntä toistava laite L (MONO)-audioliitäntään.

*2 Käytä SCART-RCA-adapteria ulkoisille laitteille, joissa on ainoastaan SCART AV OUT.

*3 Vain rajoitetuilla alueilla/maissa/TV-malleissa.

Television asennus seinälle

Lisävarusteena saatavan seinäasennuskiinnittimen käyttäminen

Tässä television käyttöohjeessa näytetään vain vaiheet, joilla valmistellaan television asennus seinälle.

Asiakkaille:

Tuotteen suojelemiseksi ja turvallisuuden vuoksi Sony suosittelee, että television asennus annetaan Sonyn jälleenmyyjän tai luvallisen urakoitsijan tehtäväksi. Älä yritä asentaa sitä itse.

Sony-jälleenmyyjille ja urakoitsijoille:

Kiinnitä erityistä huomiota turvallisuuteen tämän tuotteen asennuksen, huollon ja tarkastuksen aikana.

Tämän tuotteen saa asentaa vain ammattimainen asentaja, joka osaa määrittää kestääkö seinä TV:n painon. Jos TV:tä ei kiinnitetä oikein asennuksen aikana, se saattaa pudota ja aiheuttaa vakavan loukkaantumisen. Sony ei ole vastuussa vahingoista tai loukkaantumisesta, joka johtuu virheellisestä käsittelystä tai asennuksesta tai muun kuin määritetyn tuotteen asennuksesta. Tämä ei vaikuta mahdollisiin lainmukaisiin oikeuksiisi.

Käytä seinäasennuskiinnitintä SU-WL845 (ei sisälly toimitukseen) (ainoastaan KD-75XE94xx, KD-65XE93xx), SU-WL840 (ei sisälly toimitukseen) (ainoastaan KD-55XE93xx) tai SU-WL450 (ei sisälly toimitukseen) (ainoastaan KD-65/55XE93xx) TV:n asentamiseksi seinään.

Katso seinäasennuskiinnitintä asennettaessa myös seinäasennuskiinnittimen mukana toimitettu käyttöohje ja asennusohje.

Huomautus

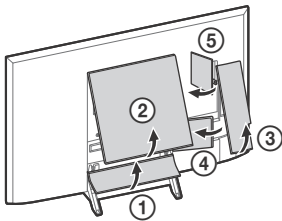
- Pane irrotetut ruuvit talteen turvalliseen paikkaan pois lasten ulottuvilta.
- Varmista, että seinällä on riittävästi tilaa TV:lle ja että se pystyy kannattamaan vähintään kuusi kertaa TV:n painon verran kuormaa.



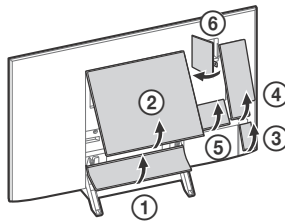
Voit katsoa seuraavalta verkkosivustolta ohjeita siitä, kuinka seinäasennuskiinnitin asennetaan televisiomalliisi: www.sony.eu/tv/wall-mount-bracket-manual

Irrota jalustan ja liitinten kannet.

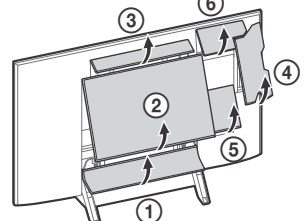
KD-75XE94xx



KD-65XE93xx



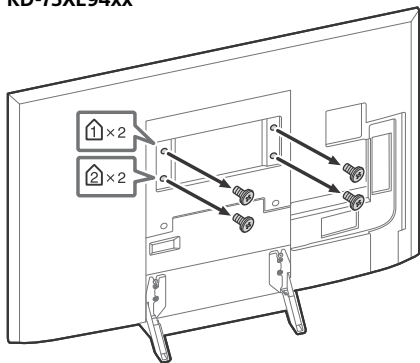
KD-55XE93xx



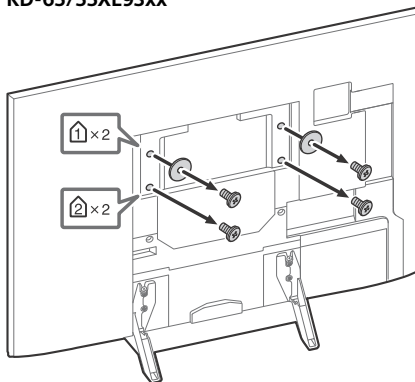
SU-WL845 (KD-75XE94xx, KD-65XE93xx), SU-WL840 (KD-55XE93xx)

Irrota ruuvit TV:n takaosasta.

KD-75XE94xx

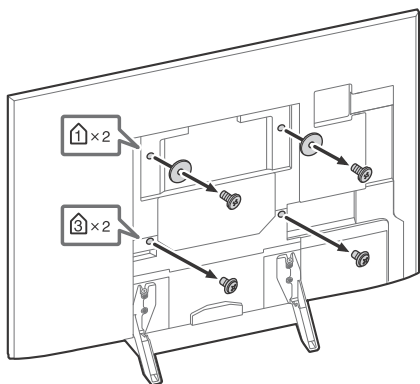


KD-65/55XE93xx

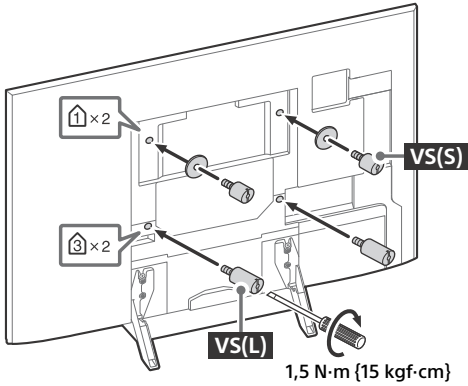


SU-WL450 (Vain KD-65/55XE93xx)

1 Irrota ruuvit TV:n takaosasta.



- 2 Kiinnitä seinäasennuksen kiinnitysosa (SisältyyTV:n toimitukseen) TV:n takaosaan (jotta se on seinän kanssa samansuuntainen).



Huomautus

- Jos käytät sähköistä ruuvitalttaa, aseta vääntömomentiksi noin 1,5 N·m {15 kgf·cm}.
- Varmista, että kiinnität seinäasennuksen kiinnitysosan kunnolla TV:hen.
Käytä seinäasennuksen kiinnitysosan asentamiseen vain litteäpäistä ruuvitalttaa. Muun työkalun käyttö saattaa johtaa seinäasennuksen kiinnitysosan liialliseen kiristämiseen ja TV:n vahingoittumiseen.

Vain KD-75XE94xx, KD-55XE93xx

Television voi asentaa seinäasennuskiinnittimeen (ei sisälly toimitukseen) suoraan pakkauksesta.

Kiinnitä televisio seinäasennuskiinnittimeen ennen kuin liität kaapelit.

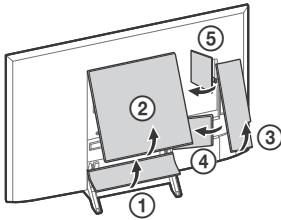
Tämän tuotteen saa asentaa vain ammattimainen asentaja, joka osaa määrittää kestäväkö seinä TV:n painon. Jos TV:tä ei kiinnitetä oikein asennuksen aikana, se saattaa pudota ja aiheuttaa vakavan loukkaantumisen. Sony ei ole vastuussa vahingoista tai loukkaantumisesta, joka johtuu virheellisestä käsittelystä tai asennuksesta tai muun kuin määritetyn tuotteen asennuksesta. Tämä ei vaikuta mahdollisiin lainmukaisiin oikeuksiisi.

Tuotteen suojaamiseksi ja turvallisuussyistä Sony suosittelee ehdottomasti, että television seinäasennus annetaan pätevien ammattilaisten tehtäväksi. Älä yritä asentaa sitä itse.

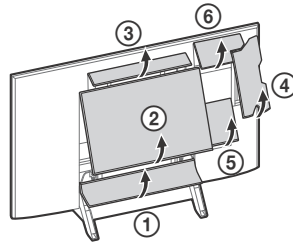
- Noudata oman mallisi mukana toimitetun seinäasennuskiinnittimen ohjeita.
- Varmista, että käyttämättömät ruuvit ja pöytäjalusta ovat varmassa tallessa, kunnes olet valmis kiinnittämään pöytäjalustan. Pidä ruuvit poissa pienten lasten ulottuvilta.
- Varmista, että seinällä on riittävästi tilaa TV:lle ja että se pystyy kannattamaan vähintään kuusi kertaa TV:n painon verran kuormaa.

1 Irrota jalustan ja liitinten kannet.

KD-75XE94xx

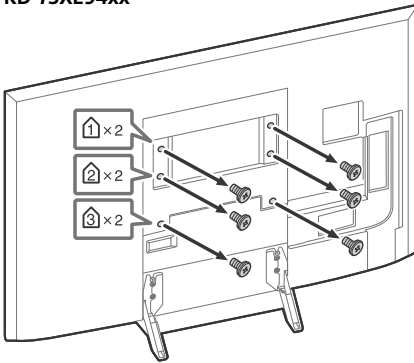


KD-55XE93xx

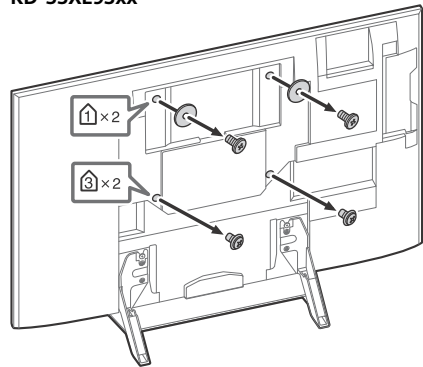


2 Irrota ruuvit TV:n takaosasta.

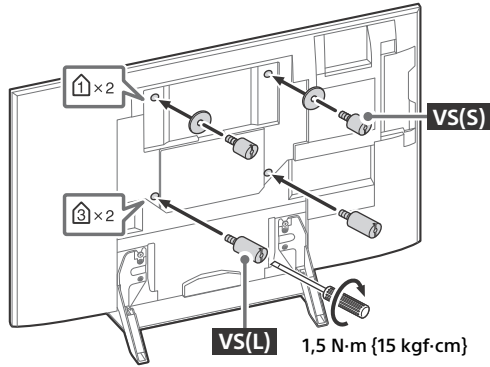
KD-75XE94xx



KD-55XE93xx

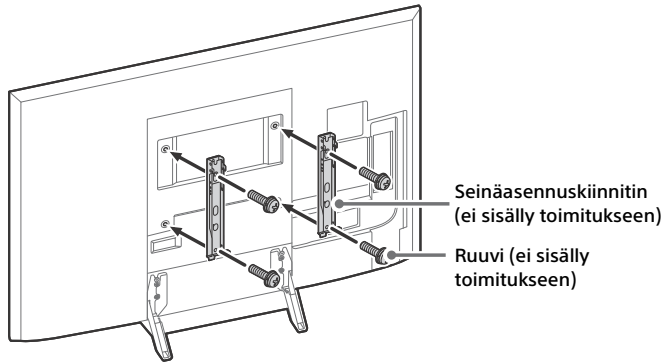


- 3 Kiinnitä seinäasennuksen kiinnitysosa (SisältyyTV:n toimitukseen) TV:n takaosaan (jotta se on seinän kanssa samansuuntainen). (Vain KD-55XE93xx)

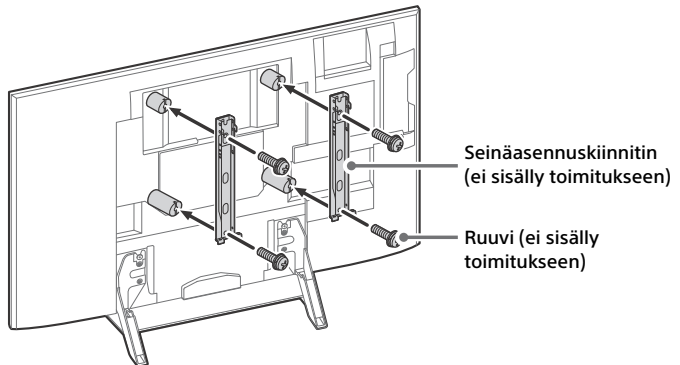


- 4 Kiinnitä seinäasennuskiinnitin (ei sisälly toimitukseen) ruuveilla (eivät sisälly toimitukseen).

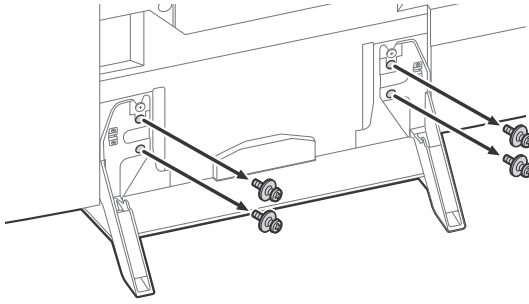
KD-75XE94xx



KD-55XE93xx



5 Irrota pöytäjalusta TV:stä.



Huomautus

- Jos käytät sähköistä ruuvitalttaa, aseta vääntömomentiksi noin 1,5 N·m {15 kgf·cm}.
- Varmista, että kiinnität seinäasennuksen kiinnitysosan kunnolla TV:hen.
Käytä seinäasennuksen kiinnitysosan asentamiseen vain litteäpäistä ruuvitalttaa. Muun työkalun käyttö saattaa johtaa seinäasennuksen kiinnitysosan liialliseen kiristämiseen ja TV:n vahingoittumiseen.
- Osaa TV:n takaosan johtopidikkeistä ei voi käyttää seinäasennuskiinnintä (ei sisälly toimitukseen) käytettäessä.

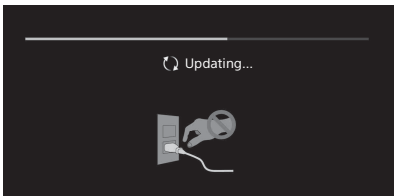
Vianetsintä

Yleisissä vianetsintäkysymyksissä, kuten: musta näyttö, ei ääntä, jähmettynyt kuva, TV ei reagoi tai verkko ei vastaa, suorita seuraavat vaiheet.

- 1 Käynnistä TV uudelleen painamalla virtapainiketta kaukosäätimessä kunnes viesti tulee näkyviin. TV käynnistyy uudelleen. Jos TV: tä ei saada palautetuksi, kokeile irrottaa TV virtajohdosta kahdeksi minuutiksi ja kytke se sitten uudelleen.
- 2 Lisätietoja apuvalikosta painamalla **HELP** kaukosäätimessä.
- 3 Yhdistä TV:si Internetiin ja suorita ohjelmistopäivitys.
- 4 Käy Sonyn tukisivustolla (tiedot ilmoitettu takakannessa).

Kun [Uusi TV-järjestelmän ohjelmistopäivitys on saatavana...] -viesti näytetään.

Sony suosittelee sinua suorittamaan TV-ohjelmiston päivitys valitsemalla [Päivitä nyt]. Nämä ohjelmistopäivitykset parantavat TV:si suorituskykyä tai lisäävät uusia toimintoja. Ohjelmiston päivittymisen aikana ruudussa näkyy seuraava [Updating...] (Päivitetään...) -näyttö.



Älä irrota virtajohtoa ohjelmistopäivityksen aikana. Jos virtajohto irrotetaan, ohjelmistopäivitys ei ehkä ehdi päättyä ja seurauksena voi olla ohjelmiston toimintahäiriö. Ohjelmistopäivitykset saattavat kestää jopa 15 minuuttia.

Kun kytket TV:n verkkovirtaan, TV ei välttämättä kytkeydy heti päälle vaikka painaisit virtapainiketta kaukosäätimestä tai TV:stä.

Järjestelmän alustaminen vie aikaa. Odota noin minuutti ja yritä sitten uudelleen.

Engelmat ja ratkaisut

Kun valaistus-LED vilkkuu punaisena.

- Laske kuinka monta kertaa se vilkkuu (aikaväli on kolme sekuntia). Käynnistä TV uudelleen irrottamalla virtajohto kahdeksi minuutiksi ja käynnistä TV sen jälkeen. Jos ongelma ei poistu, irrota virtajohto ja ota yhteyttä jälleenmyyjäsi tai Sonyn palvelukeskukseen ilmoittaen tiedot siitä, kuinka monta kertaa valaistus-LED vilkkuu.

Maanpäällisen verkon/kaapeliverkon palvelua ei voida vastaanottaa.

- Tarkista antennin/johdon yhteys ja vahvistimen asetukset.
- Valitse antenni-/kaapelilähetys painamalla kaukosäätimen **DIGITAL/ANALOG**-painiketta. Jos et näe lähetystä, paina ensin **TV**-painiketta ja sitten **DIGITAL/ANALOG**-painiketta.
- Maanpäällisen verkon signaali voi olla vaimentunut, jos lähistöllä on vahva signaali. Aseta [LNA (CH ---)] tilaan [Pois] digitaaliviritysasetuksissa.
- Uuteen taloon muuttamisen jälkeen tai yritettäessä vastaanottaa uusia palveluita, yritä suorittaa kanavien haku valitsemalla [Digikanavien viritys].

Satelliittipalvelua ei voida vastaanottaa.

- Tarkista satelliittikaapelikytkentä.
- Kun [Ei signaalia. LNB ylikuormitettu...] näytetään, irrota verkkojohto pistorasiasta. Varmista sitten, ettei satelliittikaapeli ole vaurioitunut eikä satelliittisignaalinja ole oikosuljettu satelliittiliittimessä.

Kaukosäädin ei toimi.

- Vaihda paristot.

Lähetyspalvelun lapsilukon salasana on unohtunut.

- Syötä PIN-koodiin 9999 ja valitse [Vaihda PIN-koodi].

Television kehys lämpenee.

- Kun televisio on päällä pitkään, sen kehys lämpenee. Kädellä koskettaessa se voi tuntua kuumalta.

Tekniset tiedot

Järjestelmä

Näyttöpaneeli

LCD-paneeli (nestekidenäyttö), LED-taustavalo

TV-järjestelmä

Maa-/aluevalinnasta/TV-mallista riippuen

Analoginen: B/G, D/K, I

Digitaalinen: DVB-T/DVB-C
DVB-T2*

Satelliitti*: DVB-S/DVB-S2

Värijärjestelmä

PAL, SECAM, NTSC3.58 (Vain video), NTSC4.43

(Vain video)

Kanavien näkyvyysalue

Maa-/aluevalinnasta/TV-mallista riippuen

Analoginen: UHF/VHF/kaapeli

Digitaalinen: UHF/VHF/kaapeli

Satelliitti*: IF-taajuus 950-2 150 MHz

Äänentoisto

KD-75XE94xx, KD-65XE93xx: 10 W + 10 W + 10 W +
10 W + 10 W + 10 W

KD-55XE93xx: 5 W + 5 W + 10 W + 10 W + 10 W +
10 W

Langaton teknologia

Protokolla IEEE802.11ac/a/b/g/n

(IEEE802.11ac ei ehkä ole saatavissa maan/alueen
mukaan.)

Bluetooth versio 4.1

Taajuuskaista(t): WLAN 2,4 GHz / 5 GHz,

Bluetooth 2,4 GHz

Lähetyksen radiotaajuusteho: Enintään 100 mW

TV:n ohjelmistoversio:

PKG_..._...EUA

Näet ohjelmistoversion painamalla
kaukosäätimen **HELP**-painiketta.

* Kaikissa TV:issä ei ole DVB-T2- tai DVB-S/S2-tekniikkaa
tai satelliittiantenniliitintä.

Tulo-/lähtöliitännät

Antenni/kaapeli

75 ohmin ulkoinen liitäntä VHF/UHF-liittimelle

Satelliittiantenni

Naaraspuolinen F-tyyppin liitin, 75 ohm.

DiSEqC 1.0, LNB 13 V/18 V & 22 kHz ohjaus,

Yhden kaapelin jakelu EN50494.

↔/↔ AV IN 1

Video/Audio-tulo (miniliitin)

↔/↔ COMPONENT IN

YPbPr (komponenttivideo): 1080p (50, 60 Hz),

1080i (50, 60 Hz), 720p (50, 60 Hz), 576p, 576i,

480p, 480i

Audiotulo (RCA-liitännät)

↔ AV IN 2

Videotulo (tavallinen RCA-liitäntä Y-tulolla)

HDMI IN 1, 2, 3, 4 (tukevat 4K-tarkkuutta,
HDCP 2.2 -yhteensopiva)

Video:

4096 × 2160p (50, 60 Hz)*1*2, 4096 × 2160p
(24 Hz)*1, 3840 × 2160p (50, 60 Hz)*2,
3840 × 2160p (24, 25, 30 Hz), 1080p (30, 50,
60 Hz), 1080/24p, 1080i (50, 60 Hz), 720p (30,
50, 60 Hz), 720/24p, 576p, 576i, 480p, 480i,
PC-muodot

*1 3840 × 2160p näytetään, kun vastaanotetaan
4096 × 2160p.

*2 vain HDMI IN 2 / 3.

Audio: 5,1-kanavainen lineaarinen PCM: 32, 44,1,
48, 88,2, 96, 176,4 ja 192 kHz, 16, 20 ja 24 bittiä,
Dolby Digital, Dolby Digital Plus ja DTS

ARC (Audio Return Channel) (vain HDMI IN 3)
(kaksikanavainen lineaarinen PCM: 48 kHz,
16 bittiä, Dolby Digital, Dolby Digital Plus, DTS)

↔ DIGITAL AUDIO OUT (OPTICAL)

Optinen digitaaliitintä (kaksikanavainen

lineaarinen PCM: 48 kHz, 16 bittiä, Dolby Digital,
DTS)

AUDIO OUT ↔/↔ (stereominiliitin)

Kuulokkeet, äänilähtö, subwoofer

•↔1, ↔2, SS↔ 3 (HDD REC)*1

USB-laiteportti (SS↔ 3 USB-kiintolevyalaite REC-
toiminnolle)

USB-portit 1 ja 2 tukevat nopeaa USB:tä (USB2.0).

USB-portti 3 tukee supernopeaa USB:tä (USB3.0).



Maksu-TV-moduulin (CAM) paikka



LAN

10BASE-T/100BASE-TX-liitäntä (Yhteysnopeus voi
vaihdella verkon käyttöympäristön mukaan.

10BASE-T/100BASE-TX-tiedonsiirtonopeutta ja
laatua ei taata tälle televisiolle.)

⊖ ⊕ DC IN 24 V (vain mallit, joiden
toimitukseen sisältyy verkkolaite)

Verkkolaitteen tulo

IR BLASTER*1

IR Blaster -infrapunakaapelitulo (miniliitäntä)

Muita tietoja

Lisävarusteet

Seinäasennuskiinnitin: SU-WL845

(Vain KD-75XE94xx, KD-65XE93xx)

Seinäasennuskiinnitin: SU-WL840

(Vain KD-55XE93xx)

Seinäasennuskiinnitin: SU-WL450

(Vain KD-65/55XE93xx)

Käyttölämpötila

0 °C – 40 °C

Käytön ilmastokosteus

10 % – 80 % RH (ei-kondensoiva)

Teho, tuoteseloste ja muuta

Käyttöjännite

paitsi malli, jonka toimitukseen sisältyy verkkolaite

220 V - 240 V AC, 50 Hz

vain mallit, joiden toimitukseen sisältyy verkkolaite

24 V DC verkkolaitteella

Nimellisarvo: käyttöjännite 220 V - 240 V AC, 50 Hz

Energiatehokkuusluokka

KD-75XE94xx: B

KD-65XE93xx: A

KD-55XE93xx: B

Näytön koko (halkaisija) (Noin)

KD-75XE94xx: 189,3 cm / 75 tuumaa

KD-65XE93xx: 163,9 cm / 65 tuumaa

KD-55XE93xx: 138,8 cm / 55 tuumaa

Virrankulutus

[Vakio] -tilassa

KD-75XE94xx: 298 W

KD-65XE93xx: 164 W

KD-55XE93xx: 137 W

[Kirkas] -tilassa

KD-75XE9405: 495 W

KD-65XE9305: 294 W

KD-55XE9305: 227 W

Keskimääräinen vuotuinen energiankulutus*2

KD-75XE94xx: 413 kWh

KD-65XE93xx: 227 kWh

KD-55XE93xx: 190 kWh

Virrankulutus valmiustilassa*3*4

0,50 W (27 W ohjelmiston/elektronisen ohjelmaoppaan päivitystilassa)

Näytön erottelutarkkuus

3 840 pistettä (vaaka) × 2 160 viivaa (pysty)

Ulostuloarvot

USB 1/2: Maks. 5 V, \equiv , 500 mA

USB 3: Maks. 5 V, \equiv , 900 mA

Mitat (Noin) (l × k × s)

pöytäjalustan kanssa

KD-75XE94xx: 167,3 × 103,7 × 32,5 cm

KD-65XE93xx: 145,1 × 91,3 × 29,5 cm

KD-55XE93xx: 123,2 × 79,0 × 28,2 cm

ilman pöytäjalustaa

KD-75XE94xx: 167,3 × 96,2 × 6,2 cm

KD-65XE93xx: 145,1 × 83,8 × 3,9 cm

KD-55XE93xx: 123,2 × 71,5 × 4,0 cm

Paino (Noin)

pöytäjalustan kanssa

KD-75XE94xx: 47,6 kg

KD-65XE93xx: 42,4 kg

KD-55XE93xx: 32,6 kg

ilman pöytäjalustaa

KD-75XE94xx: 42,8 kg

KD-65XE93xx: 38,2 kg

KD-55XE93xx: 28,6 kg

*1 Vain rajoitetuilla alueilla/maissa/TV-malleissa.

*2 Vuosittainen virrankulutus, joka perustuu television 4 tunnin päivittäiseen käyttöön 365 päivänä vuodessa. Todellinen energiankulutus riippuu siitä, miten televisiota käytetään.

*3 Mainittu valmiustilan virrankulutus on voimassa sen jälkeen, kun televisio on suorittanut välttämättömät sisäiset toimenpiteet.

*4 Valmiustilan virrankulutus kasvaa, kun televisio on yhdistetty verkkoon.

Huomautus

- Älä irrota TV:n maksu-TV-moduulin (CAM) kantta muuta tarkoitusta varten kuin älykortin asettamiseksi CAM-paikkaan.
- Lisävarusteiden saatavuus riippuu maasta/alueesta/television mallista/varastotilanteesta.
- Rakennetta ja teknisiä tietoja saatetaan muuttaa siitä erikseen ilmoittamatta.

Digitaalisen television toimintaan liittyviä huomautuksia

- Digi-TV (DVB antennin, satelliitin tai kaapelin kautta), vuorovaihteiset palvelut ja verkkotoiminnot eivät välttämättä ole käytettävissä kaikissa maissa tai kaikilla alueilla. Jotkut toiminnot eivät ehkä ole käytössä tai eivät toimi oikein joidenkin palveluntarjoajien ja verkkoympäristöjen kanssa. Jotkut TV-palveluntarjoajat saattavat veloittaa maksun palveluistaan.
- Tämä TV tukee digitaaliälyhetyksiä, joissa käytetään MPEG-2-, H.264/MPEG-4 AVC- ja H.265/HEVC-koodekkeja, mutta emme voi taata yhteensopivuutta kaikkien operaattori-/palvelusignaalien kanssa, koska ne voivat muuttua ajan myötä.

Tuotemerkit

- Termit HDMI ja HDMI High-Definition Multimedia Interface sekä HDMI-logo ovat HDMI Licensing LCC:n tuotemerkkejä tai rekisteröityjä tuotemerkkejä Yhdysvalloissa ja muualla maailmassa.
- Valmistettu Dolby Laboratories myöntämällä lisenssillä. Dolby, Dolby Audio ja kaksois-D-symboli ovat Dolby Laboratoriesin rekisteröimiä tavaramerkkejä.
- "BRAVIA" ja BRAVIA ovat Sony Corporationin tuotemerkkejä.
- Gracenote, Gracenote eyeQ, Gracenote VideoID, Gracenote Video Explore, Gracenote-logo ja -logotyyppi ja "Powered by Gracenote" -logo ovat joko Gracenoten rekisteröityjä tavaramerkkejä tai tavaramerkkejä Yhdysvalloissa ja/tai muissa maissa.
- Opera® Devices SDK. Copyright 1995-2016 Opera TV AS. All rights reserved.
- Wi-Fi, Wi-Fi Direct, Miracast, Wi-Fi Protected Setup ja Wi-Fi CERTIFIED -logo ovat Wi-Fi Alliancen tavaramerkkejä tai rekisteröityjä tavaramerkkejä.
- DTS-patentit, ks. <http://patents.dts.com>. Valmistettu DTS, Inc.in lisenssillä. DTS, symboli sekä DTS ja symboli yhdessä ovat rekisteröityjä tavaramerkkejä ja DTS Digital Surround on DTS, Inc:n tavaramerkki. © DTS, Inc. Kaikki oikeudet pidätetään.
- Bluetooth®-sanamerkki ja -logot ovat Bluetooth SIG, Inc:n omistamia rekisteröityjä tavaramerkkejä, ja Sony Corporation käyttää niitä lisenssillä. Muut tuotemerkit ja tuotenimet ovat omistajiensa omaisuutta.
- DiSEqC™ on EUTELSATin tavaramerkki. Tässä televisiossa on DiSEqC 1.0 -tuki. Tätä televisiosta ei ole tarkoitettu moottorikäyttöisten antennien ohjaukseen.
- TUXERA on Tuxera Inc.:n rekisteröity tavaramerkki Yhdysvalloissa ja muissa maissa.
- USB-IF SuperSpeed USB Trident -logo on USB Implementers Forum, Inc:n rekisteröity tavaramerkki. 

Innhold

VIKTIG MERKNAD	2
Informasjon om sikkerhet	3
Forholdsregler	6
Deler og kontroller	8
Kontroller og indikatorer	8
Bruke fjernkontrollen	9
Beskrivelse av fjernkontrollens deler	9
Koblingsskjema	11
Montere TV-en på veggen	13
Bruke den ekstra veggmonteringsbraketten	13
SU-WL845 (KD-75XE94xx, KD-65XE93xx), SU-WL840 (KD-55XE93xx)	14
SU-WL450 (Kun KD-65/55XE93xx)	14
Kun KD-75XE94xx, KD-55XE93xx	16
Feilsøking	19
Problemer og løsninger	19
Spesifikasjoner	20

Internettilkobling og datafortrolighet

Dette produktet kobler til internett under oppsett så snart et nettverk er koblet til, for å bekrefte internettilkoblingen, og senere for å konfigurere Velkomstskjermen. IP-adressen din brukes i denne og alle andre internettilkoblinger. Hvis du ikke ønsker at IP-adressen din skal brukes i det hele tatt, lar du være å sette opp den trådløse internettfunksjonen, og du kobler ikke til en internettkabel. Se personverninformasjonen presentert på oppsettskjermene for flere detaljer om internettilkoblinger.

Introduksjon

Takk for at du valgte dette produktet fra Sony. Les gjennom denne håndboken før du begynner å bruke TV-en, og ta vare på den for fremtidig referanse.

Merknader

- Før du bruker TV-en, vær vennlig å lese "Informasjon om sikkerhet" (side 3).
- Bilder og illustrasjoner som brukes i installasjonsveiledningen og i denne håndboken, er kun ment som referanse, og kan avvike fra produktets faktiske utseende.
- "xx"-en som vises i modellnavnet korresponderer til et tall, som er knyttet til design, farge eller TV-system.

Plassering av installasjonsveiledningen

Installasjonsveiledningen er plassert på en pute, inne i TV-esken.

Hjelp/Hjelpeveiledning

Hjelpefunksjonen har en masse informasjon om TV-en din. For å bruke hjelpefunksjonen, trykk **HELP** på fjernkontrollen. Du kan finne instruksjoner og feilsøking fra listen eller søket. Velg [Hjelpeveiledning] i hjelpemenyen for å se veiledningen. Hvis du kobler TV-en til internett, oppdateres hjelpefunksjonen og informasjonen.

Plassering av identifikasjonsmerket

Etiketter med modellnr., produksjonsdato (år/måned) og strømforsyningsrangering er plassert på baksiden av TV-en eller esken. De kan finnes ved å fjerne stativdekslet og midtdekslet.

For modeller med medfølgende strømadapter: Merker for strømadapterens modellnr. og serienr. under strømadapteren.

ADVARSEL

FOR Å HINDRE
SPREDNING AV BRANN
SKAL STEARINLYS OG ALLE
ANDRE FORMER FOR ÅPEN
ILD HOLDES BORTE FRA
DETTE PRODUKTET TIL
ENHVER TID.



VIKTIG MERKNAD

Dette produktet er produsert av eller på vegne av Sony Corporation 1-7-1 Konan Minato-ku Tokyo, 108-0075 Japan. Henvendelser relatert til produkt samsvar basert på Europeisk Unions lovgivning skal adresseres til autorisert representant, Sony Belgium, bijkantoor van Sony Europe Limited, Da Vincilaan 7-D1, 1935 Zaventem, Belgia. For service eller garanti saker, vennligst referer til adresse som nevnt i separat service eller garanti dokument.

Merknad for radioutstyr

Sony Corporation erklærer med dette at radioutstyr av typene KD-75XE9405, KD-65XE9305, KD-55XE9305 samsvarer med de grunnleggende kravene og andre relevante bestemmelser i direktivet 1999/5/EC. For nærmere informasjoner, se følgende URL: <http://www.compliance.sony.de/>

Dette radioutstyret kan brukes i EU uten å bruke gjeldende krav for bruk av radiospektrumet.



Merknad for kunder: Følgende informasjon gjelder kun for utstyr som er solgt i land som anvender EU-direktivene.

Trådløst TV-system kan brukes i følgende land:

AT, BE, HR, CY, CZ, DK, EE, FI, FR, DE, EL, HU, IE, IT, LV, LT, LU, MT, NL, PL, PT, SK, SI, ES, SE, UK, IS, LI, NO, CH, BG, RO, TR, AL, BA, MK, MD, RS, ME, Kosovo

Dette utstyret kan betjenes i andre land utenfor Europa.

Informasjon om sikkerhet

ADVARSEL

Batterier må ikke utsettes for overdreven varme, som solskinn, ild eller lignende.

Plasser aldri et TV-apparat på et ustabilt sted. Et TV-apparat kan falle og føre til alvorlig personskade og død. Mange skader, spesielt på barn, kan unngås ved å ta enkle forholdsregler, som f.eks.:

- Bruke kabinetter eller stativer anbefalt av produsenten av TV-apparatet.
- Kun bruk møbler som trygt kan støtte TV-apparatet.
- Sikre at TV-apparatet ikke henger over kanten på støttende møbel.
- Ikke plassere TV-apparatet på høye møbler (f.eks. skap eller bokhyller) uten å feste både møbelet og TV-apparatet til en passende støtte.
- Ikke plassere TV-apparatet på stoff eller andre materialer som kan finnes mellom TV-apparatet og støttende møbel.
- Lære barn om farene ved å klatre på møbler for å nå TV-apparatet eller dets kontroller.

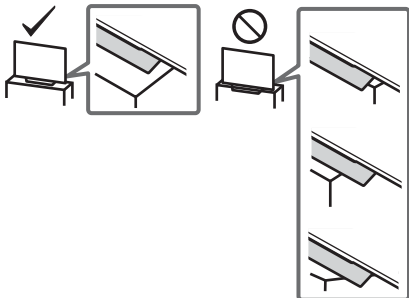
Hvis ditt eksisterende TV-apparat skal beholdes og flyttes, gjelder de samme hensynene som over.

Installasjon/oppsett

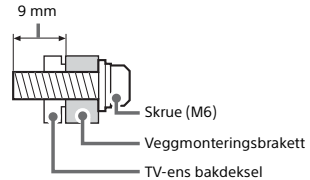
Installer og bruk TV-apparatet i samsvar med instruksjonene nedenfor for å unngå risiko for brann, elektrisk støt eller annen skade og/eller personskader.

Installasjon

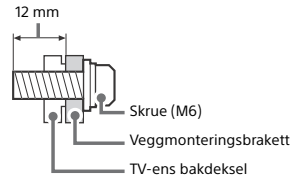
- TV-en bør installeres i nærheten av en lett tilgjengelig stikkontakt.
- Plasser TV-en på en stabil, plan overflate for å unngå at den faller ned og forårsaker personskade eller skade på TV-en.
- Installer TV-en på en plass hvor den ikke kan bli skjøvet, dyttet eller ramlet ned.
- Installer TV-en slik at TV-ens bordstativ ikke stikker frem fra TV-stativet (ikke inkludert). Hvis bordstativet stikker frem fra TV-stativet, kan det føre til at TV-en velter, faller ned og dette kan skade personer eller TV-en.



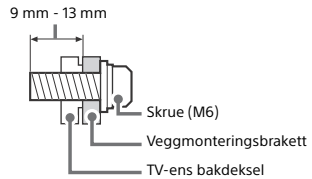
- Kun kvalifisert servicepersonell skal utføre eventuell installasjon av veggbraketter.
- Av sikkerhetsgrunner anbefales det på det sterkeste at du bruker tilleggsutstyr fra Sony som omfatter:
 - Veggmonteringsbrakett SU-WL845 (Kun KD-75XE94xx, KD-65XE93xx)
 - Veggmonteringsbrakett SU-WL840 (Kun KD-55XE93xx)
 - Veggmonteringsbrakett SU-WL450 (Kun KD-65/55XE93xx)
- Sørg for at du bruker skruene som følger med veggmonteringsbraketten når du fester veggmonteringsbraketten til TV-en. De medfølgende skruene er utformet som vist på illustrasjonen målt fra monteringsoverflaten til veggmonteringsbraketten. Skruenes diameter og lengde varierer ut fra veggmonteringsbrakettens modell. Hvis du bruker andre skruer enn de som følger med, kan TV-apparatet bli skadet innvendig eller det kan falle ned osv.
 - Valgfri veggmonteringsbrakett (Kun SU-WL845, SU-WL840) Øvre side



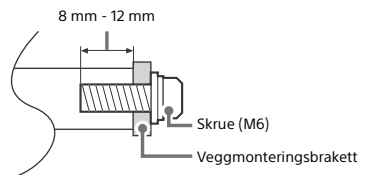
Nedre side



- Valgfri veggmonteringsbrakett (Unntatt SU-WL845, SU-WL840) KD-75XE94xx

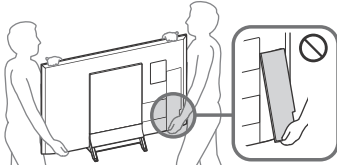
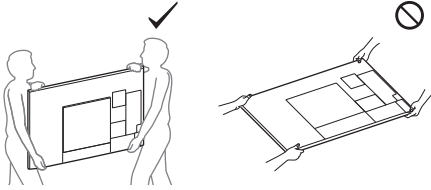


KD-65/55XE93xx

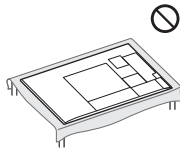


Bæring

- Før du bærer TV-apparatet, må du koble fra alle kablene.
- Et stort TV-apparat må bæres av to eller flere personer.
- Når du transporterer TV-en for hånd, må du holde den som vist under. Ikke utsett LCD-skjermen og rammen rundt for press-belastning.

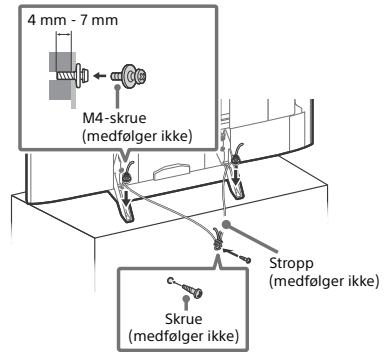
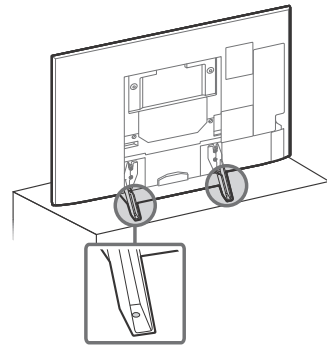


- Ikke legg ned TV-apparatet når du håndterer eller monterer det.



- Ikke utsett TV-apparatet for støt eller sterke vibrasjoner når du flytter det.
- Når du leverer inn TV-apparatet på grunn av reparasjon eller hvis du flytter, bør du transportere det i originalemballasjen.

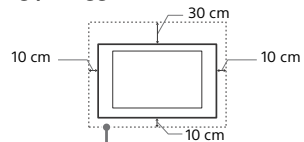
Tippforebygging



Ventilasjon

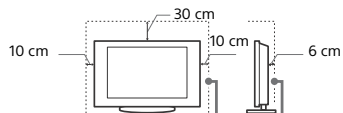
- Ventilasjonsåpningene må aldri tildekkes, og du må aldri stikke gjenstander inn i kabinettet.
- La det være plass rundt TV-apparatet, som vist under.
- Det anbefales på det sterkeste at du bruker en veggmonteringsbrakett som er godkjent av Sony for å oppnå tilstrekkelig luft sirkulasjon.

Montering på vegg



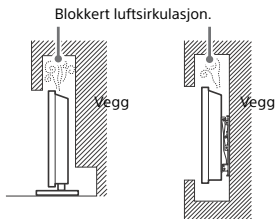
La det være minst så mye plass rundt TV-apparatet.

Installering med sokkel



La det være minst så mye plass rundt TV-apparatet.

- For å sikre tilstrekkelig ventilasjon og forhindre at det samler seg støv eller smuss:
 - Ikke legg TV-apparatet ned på ryggen, ikke installer det oppned, bak frem eller skrått.
 - Ikke plasser TV-apparatet på en hylle, et teppe, en seng eller i et skap.
 - Ikke dekk til TV-apparatet med et klede, som for eksempel gardiner, eller andre ting som aviser osv.
 - Ikke installer TV-apparatet som vist under.



Nettledning

- Behandle nettledningen og støpset som følger for å unngå risiko for brann, elektrisk støt eller annen skade og/eller personskafer:
- Bruk kun nettledninger som er levert av Sony, ikke av andre leverandører.
 - Stikk støpset helt inn i stikkkontakten.
 - Koble TV-apparatet kun til en strømforsyning på 220 V - 240 V vekselstrøm.
 - Før du legger kablene, pass på at nettledningen er frakoblet for din egen sikkerhets skyld og pass på at du ikke snubler i kablene.
 - Trekk ut støpset med nettledningen før du utfører arbeide eller flytter TV-apparatet.
 - Hold nettledningen unna varmekilder.
 - Trekk ut støpset og rengjør det regelmessig. Støv på støpset opptrer fuktighet, som kan medføre at isolasjonen forringes. Dermed kan det oppstå brann.

Merknader

- Ikke bruk den vedlagte nettledningen til annet utstyr.
- Ikke klem, bøy eller vri nettledningen for mye. Trådene i lederne kan bli blottlagt eller brytes av.
- Ikke foreta endringer på nettledningen.
- Ikke sett tunge gjenstander på nettledningen.
- Ikke trekk i selve nettledningen når du kobler fra strømmen.
- Ikke koble for mange apparater til den samme stikkkontakten.
- Ikke bruk stikkontakter som er i dårlig stand.

MERKNAD OM STRØMADAPTER (bare modeller med medfølgende strømadapter)

Advarsel

- For å redusere risikoen for brann eller elektrisk støt, må ikke dette apparatet utsettes for regn eller fukt.
- For å forhindre fare for brann eller elektrisk støt, ikke plasser objekter som er fylt med væsker, som vaser, på apparatet. Ikke installer dette utstyret i et innestengt område, som i en bokhylle eller lignende enhet.
- Sørg for at stikkkontakten er installert nær utstyret og er lett tilgjengelig.
 - Sørg for at du bruker den medfølgende vekselstrømadapteren og strømledningen.
 - Bruk aldri noen annen strømadapter. Dette kan føre til funksjonsfeil.
 - Koble strømadapteren til en lett tilgjengelig stikkontakt.
 - Ikke snurr strømledningen rundt strømadapteren. Ledningen kan kuttes og/eller det kan forårsake en feilfunksjon på mediemottakeren.



- Ikke ta på strømadapteren med våte hender.
- Hvis du merker noe unormalt med strømadapteren, må du koble den fra stikkkontakten øyeblikkelig.

- Selv om fjernsynet er slått av, er strømadapteren ikke koblet fra strømmen så lenge den er koblet til stikkkontakten.
- Siden strømadapteren vil bli varm når den brukes i lengre tid, kan den kjennes varm ut når du tar på den.

Forbudt bruk

Ikke installer/bruk TV-apparatet på steder, i omgivelser eller situasjoner som de som er oppført nedenfor, ellers kan TV-apparatet fungere feil og forårsake brann, elektrisk støt, skader og/eller personskafer.

Steder:

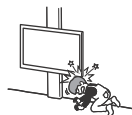
- Utendørs (i direkte sollys), i nærheten av vann, på et skip eller andre fartøy, i et kjøretøy, i medisinske institusjoner, ustabile posisjoner, i regn, fuktighet eller røyk.

Omgivelser:

- Steder som er varme, fuktige eller særlig støvet; slik at insekter har adgang; hvor det kan bli utsatt for mekanisk vibrasjon, i nærheten av åpen ild (stearinlys osv). TV-apparatet må ikke utsettes for vannråper eller vannsprut. Det må ikke plasseres gjenstander som er fylt med væske oppå TV-en (f.eks. blomstervase).

Situasjoner:

- Bruk av apparatet når du er våt på hendene, når kabinettet er tatt av eller når det er tilkoblet utstyr som ikke er anbefalt av produsenten. Trekk ut støpset fra stikkkontakten og koble fra antenneledningen når det lyner.
- Installer TV-en slik at den stikker ut i et åpent rom. En person eller gjenstand kan dunke borti TV-en og dette kan føre til skade på TV-en eller personskafer.



- Plasser TV-en på et sted som er støvete eller fuktig, eller i et rom med matos eller damp (nær mattilberedningsbord eller luffukttere). Dette kan føre til brann, elektrisk støt eller misdannelser på TV-en.
- Installer TV-en på steder som er utsatt for ekstreme temperaturer, som i direkte sollys, nær en radiator eller en varmeventil. På slike steder kan TV-en bli for varm og dette kan føre til deformering av kabinettet og/eller feilfunksjon.



- Hvis TV-en plasseres i garderoben til et offentlig bad eller varm kilde, kan TV-en bli skadet av luftbærende svovel, osv.



- For den beste bilde kvaliteten, må du ikke utsette skjermen for direkte belysning eller direkte sollys.
- Du bør unngå å flytte TV-en fra et kaldt til et varmt område. Plutselige endringer i romtemperaturen kan forårsake kondens. Dette kan føre til at et bilde av lav kvalitet og/eller farge av lav kvalitet vises på TV-en. Hvis dette skjer, må du la all fuktighet fordampe helt før du slår på TV-en.

Knuselig glass:

- Ikke kast noe på TV-apparatet. Glasset i skjermen kan knuse og forårsake alvorlig personskafer.
- Hvis overflaten på TV-apparatet sprekker, må du ikke berøre det før du har trukket ut støpset. Ellers kan dette føre til elektrisk støt.

Når TV-en ikke er i bruk

- Hvis TV-apparatet ikke skal brukes noen dager, bør du koble apparatet fra strømmettet av miljøhensyn og sikkerhetsgrunner.
- Siden TV-en ikke er koblet fra strømmettet når du bare slår den av, må du trekke støpselet ut av stikkkontakten for å koble TV-apparatet fullstendig fra.
- Enkelte TV-apparater har imidlertid funksjoner som krever at apparatet står på i hvilemodus for at de skal fungere korrekt.

Barns sikkerhet

- Ikke la barn klatre på TV-apparatet.
- For å unngå at små barn kan svelge mindre deler, hold disse delene av tilleggsutstyret unna barns rekkevidde.

Hvis følgende problemer oppstår...

Slå av TV-apparatet og trekk ut støpselet fra strømmettet øyeblikkelig dersom følgende problemer oppstår. Be forhandleren din eller ditt Sony servicecentrum om å få TV-en kontrollert av kvalifisert servicepersonell.

Dersom:

- Nettkabelen er skadet.
- Stikkontakter er i dårlig stand.
- TV-apparatet er skadet fordi det har falt ned, vært utsatt for støt eller det er kastet noe på det.
- Det er kommet væske eller gjenstander inn i åpningene på kabinetet.

Om temperaturen på LCD-TV-en

Når LCD-TV-en brukes over lengre tid, kan panelet rundt bli varmt. Du kan føle varmen når du berører dette området.

Advarsel

Utstyr som er koplet til beskyttelsesjord via nettplugg og/eller via annet jordtilkoplede utstyr - og er tilkoplede et kabel-TV nett, kan forårsake brannfare.

For å unngå dette skal det ved tilkopling av utstyret til kabel-TV nettet installeres en galvanisk isolator mellom utstyret og kabel-TV nettet.

Forholdsregler

Se på TV

- Se på TV-apparatet i moderat belysning, da det sliter på øynene å se på TV-apparatet i dårlig lys over lengre tid.
- Når du bruker hodetelefoner, justerer du lydvolument slik at det ikke blir for kraftig, så unngår du hørselsskader.

LCD-skjerm

- Selv om LCD-skjermen er produsert med høypresisjonsteknologi og 99,99 % eller mer av pikslene er effektive, kan det oppetre svarte punkter eller lyspunkter (røde, blå eller grønne) konstant på LCD-skjermen. Dette er en egenskap LCD-skjermen har, og ingen feil.
- Ikke trykk på eller rip i frontfilteret, og ikke plasser noe oppå dette TV-apparatet. Bildet kan bli ujevnt eller LCD-skjermen kan bli ødelagt.
- Hvis dette TV-apparatet brukes på kalde steder, kan bildet bli uregelmessig eller mørkt. Dette er ingen feil. Det forsvinner når temperaturen øker.
- Spøkelsesbilder kan oppetre når stillbilder vises kontinuerlig. Disse forsvinner etter en stund.
- Skjermen og kabinetet kan bli varmt når du bruker apparatet. Dette er ikke en feil på produktet.
- LCD-skjermen inneholder en liten mengde flytende krystaller. Følg lokale lover og forskrifter for avfallsbehandling.

Håndtering og rengjøring av skjermflaten/kabinetet på TV-apparatet

Husk å trekke ut støpselet med nettleddningen til TV-en før du rengjør apparatet.

For å unngå forringelse av skjermen og materialene apparatet er laget av, ta hensyn til følgende forholdsregler.

- Når du skal fjerne støv fra overflaten/kabinetet, tørk du forsiktig over med en myk klut. Hvis du ikke får av støvet på denne måten, tørk du med en myk klut fuktet i et mildt vaskemiddel.
- Aldri spray vann eller rengjøringsmidler direkte på TV-apparatet. Det kan dryppe ned til bunnen av skjermen eller ytre deler og trenge inn i TV-apparatet, som kan føre til skade på TV-apparatet.
- Bruk aldri skuresvamp, alkaliske/syreholdige rengjøringsmidler, skurepulver eller sterke løsemidler, som alkohol, benzen, forfettingsmidler eller insektmidler. Bruk av denne typen midler, eller langvarig kontakt med gummi eller vinyl, kan resultere i skade på skjermen og kabinetet.
- Ikke berør TV-en hvis hånden er dekket med noen kjemiske midler som f.eks. håndkrem eller solkrem.
- Det anbefales å støvsuge ventilasjonsåpningene med jevne mellomrom for å sikre skikkelig ventilasjon.
- Når TV-apparatets vinkel skal justeres, må du flytte forsiktig på det for å unngå at TV-en forskyver seg eller faller av sokkelen.

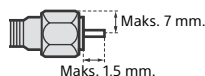


Alternativt tilleggsutstyr

- Hold alternative komponenter eller annet utstyr som avgir elektromagnetisk stråling, borte fra TV-apparatet. Ellers kan bildet forverres og/eller det oppstår en støvende lyd.
- Dette utstyret er testet og funnet i samsvar med grenseverdiene som er fastsatt i EMC-direktivet når det brukes en signalkabel kortere enn 3 meter.
- Dette utstyret er testet og funnet i samsvar med grenseverdiene som er fastsatt i EMC-direktivet når det brukes en RF-kabel kortere enn 30 meter for bakke-/satellitt-/CATV-terminal.

Anbefaling for kontakt av F-type

Den indre ledningen må ikke stikke ut mer enn 1,5 mm.



(Referansetegning for plugg av F-type)

Trådløs funksjon på apparatet

- Ikke bruk denne enheten i nærheten av medisinsk utstyr (pacemaker, osv.), da dette kan føre til funksjonsfeil på medisinsk utstyr.
- Selv om denne enheten overfører/mottar kodede signaler, vær forsiktig for å unngå uautorisert avskjæring. Vi kan ikke være ansvarlige for noen problemer som oppstår på grunn av dette.
- Dette utstyret skal monteres og betjenes slik at det opprettholdes en avstand på minst 20 cm mellom antennen for denne enheten og personers kroppsdeler.

Advarsel om håndtering av fjernkontrollen

- Sett batteriene i riktig vei.
- Du må ikke bruke forskjellige batterityper eller blande gamle og nye batterier.
- Kast brukte batterier på en miljøvennlig måte. Noen steder kan kassering av batterier være lovregulert. Kontakt de lokale myndighetene hvis du vil vite mer om dette.
- Vær forsiktig når du bruker fjernkontrollen. Du må ikke slippe, trekke på eller søle noen form for væske på fjernkontrollen.
- Du må ikke legge fjernkontrollen nær en varmekilde, et sted der den kan bli utsatt for direkte sollys eller i et fuktig rom.

Avhending av TV-apparatet



Kassering av gamle elektriske og elektroniske apparater (gjelder i EU og andre europeiske land med separat innsamlingsssystem)

Dette symbolet på produktet eller emballasjen indikerer at produktet ikke må behandles som husholdningsavfall. I stedet skal det leveres til spesiell gjenvinningsstasjon for gjenvinning av elektrisk og elektronisk utstyr. Ved å sørge for

at dette produktet avhentes på korrekt måte, vil du være med på å forhindre mulige negative følger for miljø og helse, som ellers kan forårsakes av feilaktig avfallshåndtering av dette produktet. Gjenvinning av disse materialene vil være med på å ta vare på våre naturressurser. For mer informasjon om gjenvinning av dette produktet, kan du kontakte lokale myndigheter, renovasjonsverket der du bor eller butikken der du kjøpte produktet.



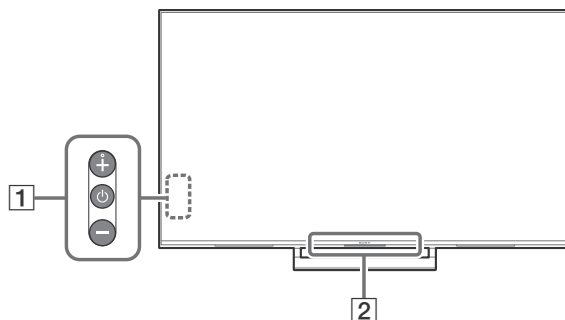
Avfallsinstruksjon vedrørende oppbrukte batterier (gjelder i EU og andre europeiske land med separate resirkuleringsrutiner)

Dette symbolet på batteriet eller på forpakningen betyr at batteriet ikke skal behandles som vanlig husholdningsavfall. På

visse batterier kan dette symbolet brukes i kombinasjon med et kjemisk symbol. Symbolet for kvikksølv (Hg) eller bly (Pb) er lagt til dersom batteriet inneholder mer enn 0,0005 % kvikksølv eller 0,004 % bly. Ved å sørge for at disse batteriene blir kastet riktig vil du bidra til å beskytte miljøet og menneskers helse fra potensielt negative konsekvenser som ellers kunne ha blitt forårsaket av ukorrekt avfallshåndtering. Resirkulering av materialene vil bidra til å bevare naturlige ressurser. Hva gjelder produkter som av sikkerhets-, ytelses- eller dataintegritetsgrunner krever permanent tilkobling til et inkorperert batteri, bør dette batteriet bare skiftes skiftes kun av autorisert servicepersonell. For å forsikre at batteriet blir behandlet korrekt skal det leveres til en resirkuleringsstasjon for elektriske produkter når det er oppbrukt. Hva gjelder alle andre batterier, vennligst se informasjonen om hvordan man fjerner batteriet på riktig måte. Lever batteriet på en gjenvinningsstasjon for brukte batterier. For mer detaljert informasjon vedrørende korrekt avfallsmetode av dette produktet og av andre batterier, vennligst kontakt ditt kommunekontor, din avfallstjeneste eller forhandleren du kjøpte produktet hos.

Deler og kontroller

Kontroller og indikatorer



1 ⏻ (Strøm) /+/-

Når TV-en er slått av,

Trykk på ⏻ for å slå på.

Når TV-en er slått på,

Trykk og hold ⏻ for å slå av.

Trykk gjentatte ganger på ⏻ for å endre funksjonen, og trykk deretter knappene + eller - for å:

- Juster volumet.
- Velg kanalen.
- Velg inngangskilden til TV-en.

2 Fjernkontroll-sensor* / Lyssensor* / LED-lys

LED-lyset tennes eller blinker i henhold til statusen på TV-en.

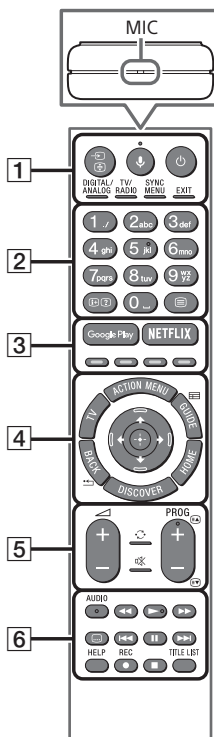
For mer informasjon, se Hjelpeveiledning.

* Ikke plasser noe nær sensoren.

Bruke fjernkontrollen

Beskrivelse av fjernkontrollens deler

Utformingen av fjernkontrollen, plasseringen, tilgjengeligheten og funksjonen til knappen på fjernkontrollen kan variere avhengig av regionen/landet/TV-modellen.



1 / (Valg av innhold / hold tekst)

I TV-modus: Vis og velg inngangskilden.
I tekstmodus: Hold den aktuelle siden.

(Mikrofon)

Bruk talefunksjon. (f.eks. søk etter diverse innhold med tale.)

(TV standby)

Slå på eller slå av TV-en (standbymodus).

DIGITAL/ANALOG

Bytt mellom digital og analog modus.

TV/RADIO

Bytt mellom TV- eller RADIO-sendinger.

SYNC MENU

Vis BRAVIA Sync-menyen.

EXIT

Gå tilbake til forrige skjermbilde eller gå ut av menyen. Når en interaktiv applikasjonstjeneste er tilgjengelig, trykk for å gå ut av tjenesten.

2 Nummerknapper

/ (Info / vis tekst)

Vis informasjon.

(Tekst)

Vis tekstinformasjon.

3 Google Play

Tilgang til den nettbaserte tjenesten "Google Play".

NETFLIX (Kun i begrenset region/land/TV-modell)

Tilgang til den nettbaserte tjenesten "NETFLIX".

Fargeknapper

Utfør tilhørende funksjon på dette tidspunktet.

4 ACTION MENU

Vis en liste over kontekststavige funksjoner.

TV

- Bytt til en TV-kanal eller inngang fra andre applikasjoner.
- Slå på TV-en for å vise TV-kanal eller inndata.

GUIDE/

Vis den digitale programguiden.

BACK/

Gå tilbake til forrige skjerm.

HOME

Vis TV-ens home-meny.

DISCOVER

Åpne innholdslinjen for å søke etter innhold.

(Velg element / enter)

5 +/- (Volum)

Juster lydstyrken.

(Hopp)


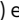
Hopp frem og tilbake mellom to kanaler eller innganger. TV-en veksler mellom aktuell kanal og siste kanal eller inngang som ble valgt.

(Demping)

Demp lyden. Trykk igjen for å gjenopprette lyden.

PROG +/-/ /

I TV-modus: Velg kanalen.

I tekstmodus: Velg neste () eller forrige () side.

6 AUDIO

Endre språket på programmet som du ser på nå.

Kontroller medieinnhold på TV og tilkoblet BRAVIA Sync-kompatibel enhet.

(Teksting-innstilling)

Slår teksting på eller av (når denne funksjonen er tilgjengelig).

HELP

Vis Hjelp-menyen. Hjelp-veiledning kan nås herfra.

● REC

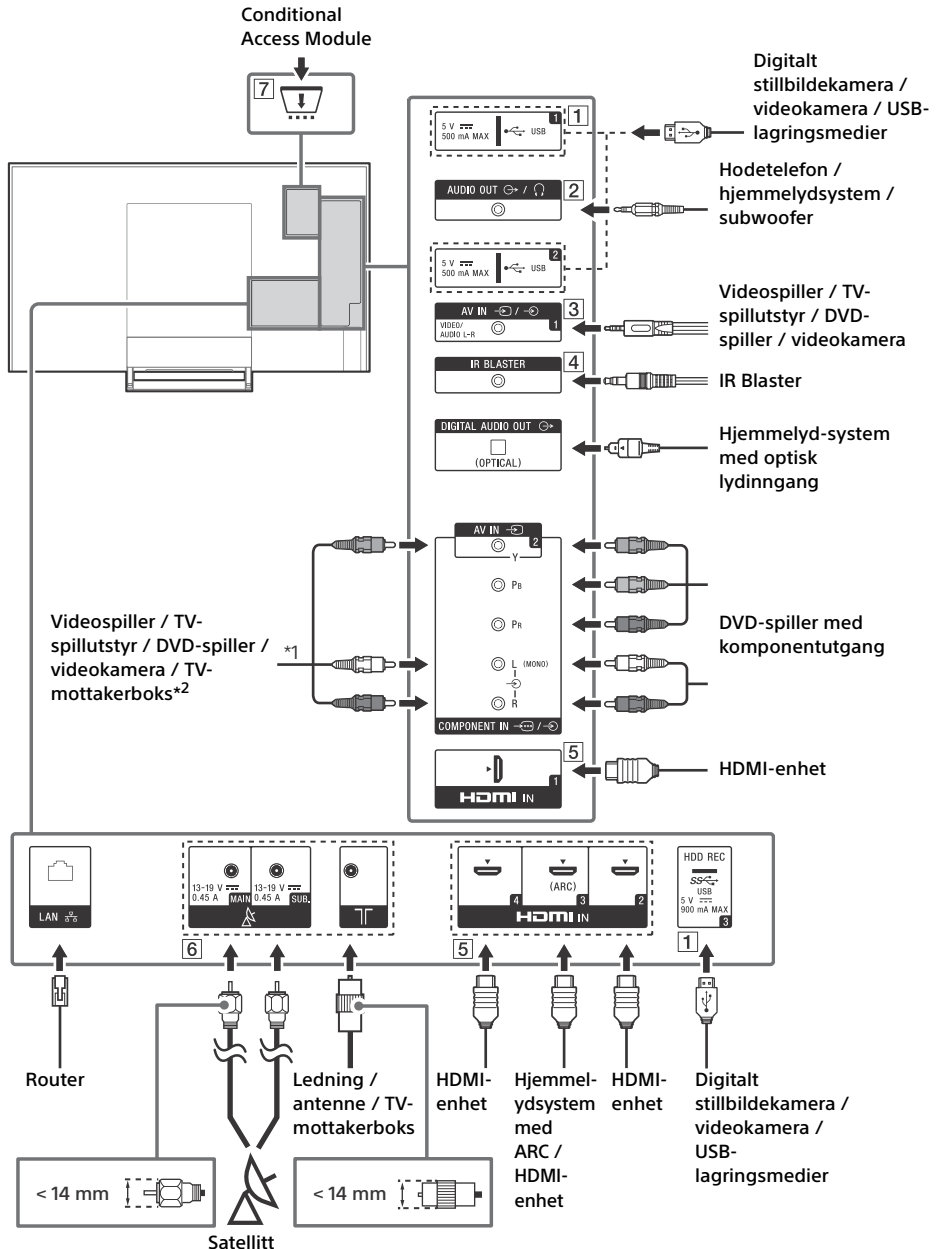
Ta opp programmet som vises nå med USB HDD-opptaksfunksjonen.

TITLE LIST

Vis tittellisten.

Koblingsskjema

For mer informasjon om tilkoblinger, se Hjelpveiledningen ved å trykke **HELP** på fjernkontrollen.



NO

1 **USB 1/2, *SS* USB 3 (HDD REC)*³**

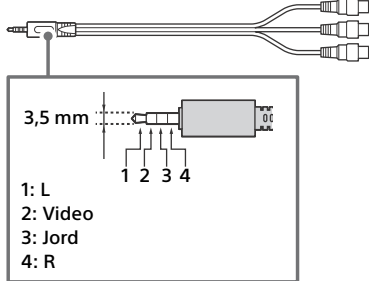
- Tilkobling av en stor USB-enhet kan forstyrre andre tilkoblede enheter ved siden av den.
- Når du kobler til en stor USB-enhet, koble den til USB 1-kontakten.

2 **AUDIO OUT**

- Støtter bare 3-polet stereominijack.
- For å høre lyd fra TV-en gjennom det tilkoblede utstyret, trykk på **HOME**. Velg [Innstillinger] → [Lyd] → [Hodetelefon / lyd ut] og velg deretter ønsket element.

3 **AV IN 1**

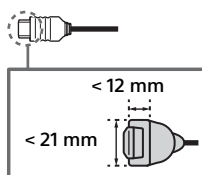
- For kompositt-tilkobling må en analog forlengelseskabel brukes (medfølger ikke).
-



4 **IR BLASTER*³**

5 **HDMI IN 1/2/3/4**

- Hvis du kobler til et digitalt lydanlegg som er kompatibelt med ARC-teknologi (Audio Return Channel), bruk HDMI IN 3. Hvis ikke, må du gjøre en ekstra tilkobling med DIGITAL AUDIO OUT (OPTICAL).
-



6 **(Satellittinnngang), (RF-inngang)**

- Tilkoblinger for bakke/kabel og satellitt. Tilkoblingstrinn: SUB. → Antenne → MAIN
- For SUB. plugg, koble bare når du bruker dobbel tuner-modus, unntatt for én kabel EN50494.

7 **CAM (Conditional Access Module)**

- Gir tilgang til betalte TV-tjenester. For mer informasjon se instruksjonsveiledningen som fulgte med CAM.
- Ikke sett smartkortet direkte inn i TV CAM-sporet. Det må settes i CAM-modulen som leveres av en autorisert forhandler.
- CAM støttes ikke i enkelte land/områder. Undersøk med den en autorisert forhandler.
- En CAM-melding kan vises når du bytter til et digitalt program etter bruk av Internett-video.

*1 Ved tilkobling av monoutstyr, koble til L (MONO)-lydkontakten.

*2 Bruk SCART-RCA-adapter for eksternt utstyr som kun har SCART AV OUT.

*3 Kun i begrenset region/land/TV-modell.

Montere TV-en på veggen

Bruke den ekstra veggmonteringsbraketten

Denne TV-ens bruksanvisning viser kun trinnene for å forberede montering av TV-en før den monteres på veggen.

Til kunder:

Av hensyn til produktets beskyttelse og sikkerheten, anbefaler Sony sterkt at TV-en installeres av Sony-forhandlere eller autoriserte montører. Ikke forsøk å installere den selv.

Til Sony-forhandlere og -montører:

Legg spesielt merke til sikkerheten under installasjonen, periodisk vedlikehold og ved undersøkelse av dette produktet.

Dette produktet bør kun installeres av en profesjonell installatør som er opplært til å fastslå styrken til veggen som skal holde oppe TV-ens vekt. Hvis TV-en ikke er riktig sikret under installasjon, kan den falle ned og føre til alvorlig personskade. Sony er ikke ansvarlige for skade eller personskade forårsaket av feil håndtering eller installasjon, eller installasjon av noe annet enn det spesifiserte produktet. Din forbrukerrettigheter (hvis gjeldende) påvirkes ikke.

Bruk veggmonteringsbrakett SU-WL845 (medfølger ikke) (kun KD-75XE94xx, KD-65XE93xx), SU-WL840 (medfølger ikke) (kun KD-55XE93xx) eller SU-WL450 (medfølger ikke) (kun KD-65/55XE93xx) for å montere TV-en på veggen.

Ved montering av veggmonteringsbraketten kan du også se bruksanvisningen og installasjonsveiledningen som fulgte med veggmonteringsbraketten.

Merknader

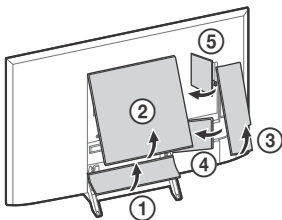
- Sørg for at skruene du har fjernet blir oppbevart på en trygg plass, utenfor barns rekkevidde.
- Sørg for at veggen har nok plass for TV-en og at den kan støtte en vekt på minst seks ganger TV-ens vekt.



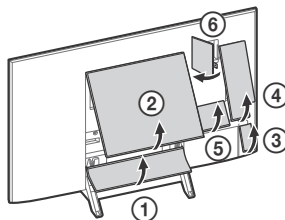
Instruksjoner for installeringen av veggmonteringsbraketten for TV-modellen din finnes på denne nettsiden: www.sony.eu/tv/wall-mount-bracket-manual

Fjern stativdekselet og terminaldekselene.

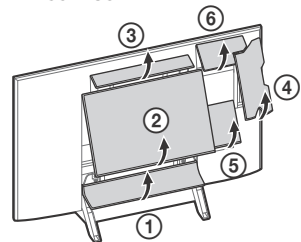
KD-75XE94xx



KD-65XE93xx



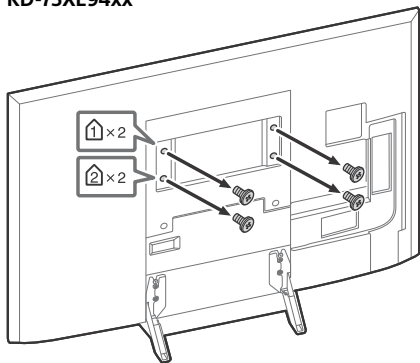
KD-55XE93xx



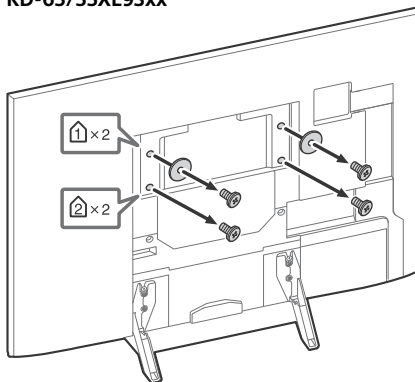
SU-WL845 (KD-75XE94xx, KD-65XE93xx), SU-WL840 (KD-55XE93xx)

Fjern skruene fra baksiden av TVen.

KD-75XE94xx

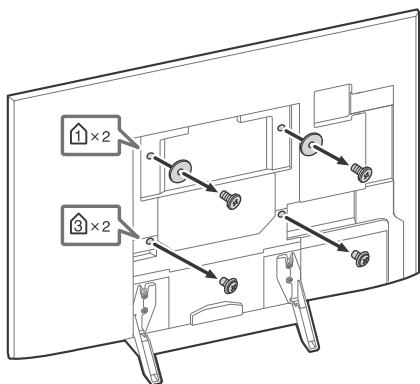


KD-65/55XE93xx

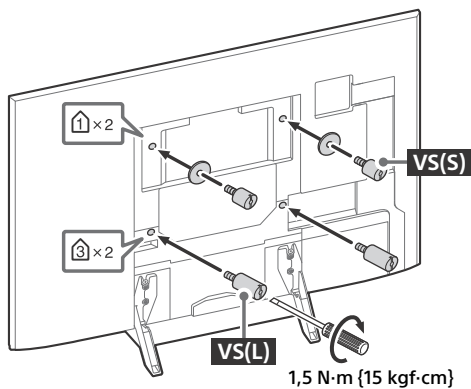


SU-WL450 (Kun KD-65/55XE93xx)

1 Fjern skruene fra baksiden av TVen.



2 Fest veggmonteringsfestet (følger med TVen) bak på TVen (for å gjøre den parallell med veggen).



Merknader

- Still moment til ca. 1,5 N·m {15 kgf·cm} hvis det brukes en elektrisk skrutrekk.
- Sørg for at veggmonteringsfestet er godt festet til TVen.
Bruk kun en flat skrutrekk til å installere veggmonteringsfestet. Bruk av et annet verktøy kan føre til overstramming av veggmonteringsfestet og skade TVen.

Kun KD-75XE94xx, KD-55XE93xx

TV-en kan monteres på en veggmonteringsbrakett (ikke inkludert) rett ut av esken. Gjør TV-en klar for veggmonteringsbraketten før du kobler til kabler.

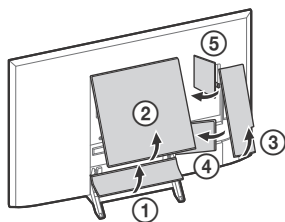
Dette produktet bør kun installeres av en profesjonell installatør som er opplært til å fastslå styrken til vegg som skal holde oppe TV-ens vekt. Hvis TV-en ikke er riktig sikret under installasjon, kan den falle ned og føre til alvorlig personskaade. Sony er ikke ansvarlige for skade eller personskaade forårsaket av feil håndtering eller installasjon, eller installasjon av noe annet enn det spesifiserte produktet. Din forbrukerrettigheter (hvis gjeldende) påvirkes ikke.

Av hensyn til sikkerheten og produktets beskyttelse, anbefaler Sony sterkt at installasjon av TV-en på veggen utføres av kvalifiserte profesjonelle montører. Ikke forsøk å installere den selv.

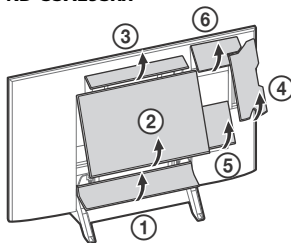
- Følg instruksjonene som fulgte med veggmonteringsbraketten for modellen din.
- Oppbevar skruer som ikke brukes samt bordstativet på et trygt sted inntil du er klar til å feste bordstativet. Oppbevar skruene unna små barn.
- Sørg for at veggen har nok plass for TV-en og at den kan støtte en vekt på minst seks ganger TV-ens vekt.

1 Fjern stativdekselet og terminaldekslene.

KD-75XE94xx

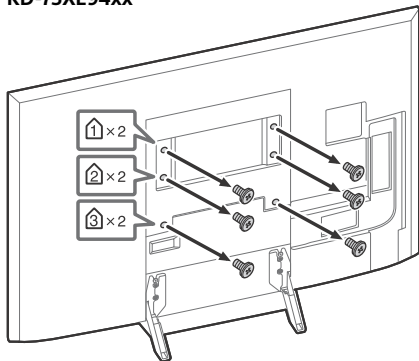


KD-55XE93xx

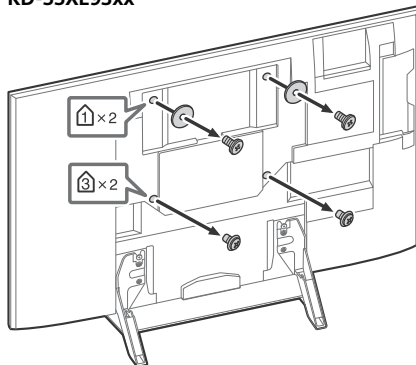


2 Fjern skruene fra baksiden av TVen.

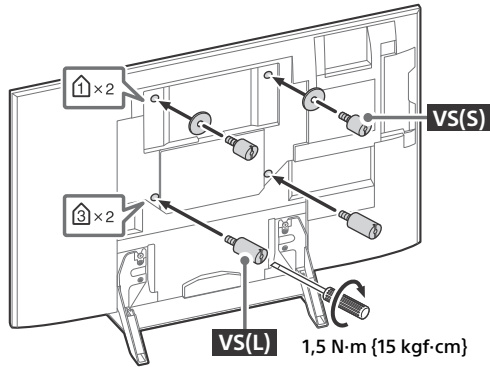
KD-75XE94xx



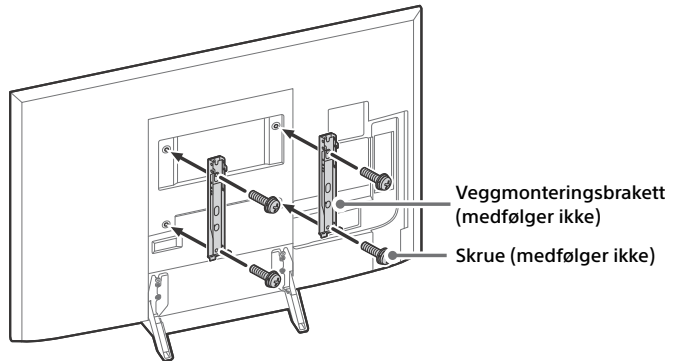
KD-55XE93xx



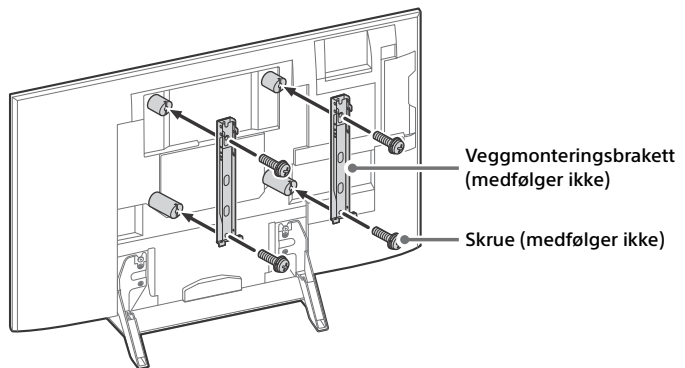
- 3** Fest veggmonteringsfestet (følger med TVen) bak på TVen (for å gjøre den parallell med veggen). (Kun KD-55XE93xx)



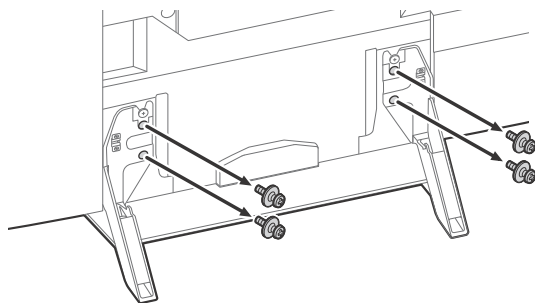
- 4** Fest veggmonteringsbraketten (medfølger ikke) ved hjelp av skruene (medfølger ikke).
KD-75XE94xx



KD-55XE93xx



5 Demonter bordstativet fra TV-en.



Merknader

- Still moment til ca. 1,5 N·m (15 kgf·cm) hvis det brukes en elektrisk skrutrekker.
- Sørg for at veggmonteringsfestet er godt festet til TV-en.
Bruk kun en flat skrutrekker til å installere veggmonteringsfestet. Bruk av et annet verktøy kan føre til overstrømming av veggmonteringsfestet og skade TV-en.
- Noen av kabelholderne på baksiden av TV-en kan ikke brukes når det benyttes en veggmonteringsbrakett (medfølger ikke).

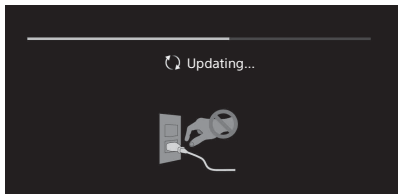
Feilsøking

Generell feilsøking for problemer som: svart skjerm, ingen lyd, frosset bilde, TV reagerer ikke, eller nettverk mistet, utfør følgende steg.

- 1 Start TVen din på nytt ved å trykke strømknappen på fjernkontrollen til en melding vises. TVen vil starte på nytt. Hvis TVen ikke starter, prøv å plugge TVen fra strømkontakten i to minutter, og deretter koble den til igjen.
- 2 Se Hjelpmenyen ved å trykke **HELP** på fjernkontrollen.
- 3 Koble TVen din til internett og utfør en programvareoppdatering.
- 4 Gå til Sonys supportnettside (informasjon oppgitt på bakre omslag).

Når meldingen [En ny systemprogramvareoppdatering er tilgjengelig...] vises.

Sony anbefaler at du oppdaterer TVens programvare ved å velge [Oppdater nå]. Disse programvareoppdateringene forbedrer din TVs ytelse, eller legger til nye funksjoner. Følgende skjerm med [Updating...] (Oppdaterer...) vil vises og belynings-LEDene blinker hvitt mens programvaren oppdateres.



Ikke koble fra strømledningen under programvareoppdateringen. Hvis du gjør dette, kan det hende programvareoppdateringen ikke fullføres og det kan oppstå feil med programvaren. Programvareoppdateringer kan ta opptil 15 minutter.

Når du kobler til TVen kan det hende at den ikke er i stand til å slå seg på på en stund selv om du trykker på strømknappen på fjernkontrollen eller TVen.

Det tar tid å starte opp systemet. Vent omtrent ett minutt, og prøv deretter igjen.

Problemer og løsninger

Når belynings-LED blinker rødt.

- Tell hvor mange ganger det blinker (intervalltiden er tre sekunder).
Tilbakestill TVen ved å koble strømledningen fra i to minutter, og deretter slå på TVen.
Hvis problemet vedvarer, kobler du strømledningen fra og kontakter forhandleren din eller Sony servicesenter, og oppgir hvor mange ganger belynings-LEDen blinker.

Land-/kabeltjeneste kan ikke mottas.

- Kontroller antenne-/kabelforbindelsene og forsterkerinnstillinger.
- Velg land-/kabeltjeneste ved å trykke **DIGITAL/ANALOG** på fjernkontrollen. Trykk **TV** og trykk deretter **DIGITAL/ANALOG** hvis kringkastingstjenesten ikke vises.
- Landsignal kan undertrykkes hvis det finnes et sterkt signal i nærheten. Sett [LNA (Kanal ---)] til [Av] i digitale innstillinger.
- Etter å ha flyttet til et nytt hus, eller forsøk på å motta nye tjenester, prøv et tjenestesøk ved å velge [Digital søking].

Satelitttjeneste kan ikke mottas.

- Kontroller satelittkabelforbindelsen.
- Når meldingen [Ikke signal. LNB er overbelastet...] vises, kobles strømledningen fra. Sikre deretter at satelittkabelen ikke er skadet og at satelittsignallinjen ikke har kortsluttet i satelittkoblingen.

Fjernkontrollen virker ikke.

- Skift batteriene.

Foreldrelås for kringkasting-passord har blitt glemt.

- Velg 9999 som PIN-kode og velg [Endre PIN-kode].

Utsiden av TV-en blir varm.

- Utsiden av TV-en blir varm når TV-en har vært i bruk i en lengre periode.
Du kan kjenne denne varmen når du legger hånden der.

Spesifikasjoner

System

Skjermssystem

LCD (Liquid Crystal Display = skjerm med flytende krystaller), LED-baklyst

TV-system

Avhengig av land / område valg / TV-modell

Analog: B/G, D/K, I

Digital: DVB-T/DVB-C

DVB-T²*

Satellitt*: DVB-S/DVB-S2

Fargesystem

PAL, SECAM, NTSC3.58 (Kun video), NTSC4.43 (Kun video)

Kanaldekning

Avhengig av land / område valg / TV-modell

Analog: UHF/VHF/kabel

Digital: UHF/VHF/kabel

Satellitt*: IF-frekvens 950-2150 MHz

Lydutgang

KD-75XE94xx, KD-65XE93xx: 10 W + 10 W + 10 W + 10 W + 10 W

KD-55XE93xx: 5 W + 5 W + 10 W + 10 W + 10 W + 10 W

Trådløs teknologi

Protokoll IEEE802.11ac/a/b/g/n

(IEEE802.11ac er kanskje ikke tilgjengelig avhengig av land/region.)

Bluetooth versjon 4.1

Frekvensbånd: WLAN 2,4 GHz/5 GHz,

Bluetooth 2,4 GHz

Radiofrekvens effektsender: 100 mW MAX

TV programvareversjon:

PKG _____EUA

Trykk **HELP** på fjernkontrollen for å finne programvareversjonen.

* Ikke alle TV-apparater har DVB-T²-, eller DVB-S- / S2-teknologi eller satellittantenneterminal.

Inngangs-/utgangskontakter

Antenne (luft)/kabel

75 ohm ekstern terminal for VHF/UHF

Satellittmottaker

Hunn F-kontakt, 75 ohm.

DiSEqC 1.0, LNB 13 V/18 V og 22 kHz tone,

Distribusjon med én kabel EN50494.

↔/↔ AV IN 1

Video-/lydinngang (minikontakt)

↔/↔ COMPONENT IN

YPbPr (komponent video): 1080p (50, 60 Hz), 1080i (50, 60 Hz), 720p (50, 60 Hz), 576p, 576i, 480p, 480i

Lydinngang (phonoplugg)

↔ AV IN 2

Videoinngang (felles phonopinne med Y-inngang)

HDMI IN 1, 2, 3, 4 (støtter 4K-oppløsning, HDCP 2.2-kompatibel)

Video:

4096 × 2160p (50, 60 Hz)^{*1*2}, 4096 × 2160p (24 Hz)^{*1}, 3840 × 2160p (50, 60 Hz)^{*2}, 3840 × 2160p (24, 25, 30 Hz), 1080p (30, 50, 60 Hz), 1080/24p, 1080i (50, 60 Hz), 720p (30, 50, 60 Hz), 720/24p, 576p, 576i, 480p, 480i, PC-formater

^{*1} 3840 × 2160p vises når 4096 × 2160p mates inn.

^{*2} kun HDMI IN 2 / 3.

Lyd: 5,1 kanal lineær PCM: 32, 44,1, 48, 88,2, 96, 176,4 og 192 kHz, 16, 20 og 24 biter, Dolby Digital, Dolby Digital Plus og DTS

ARC (Audio Return Channel) (kun HDMI IN 3) (tokanals lineær PCM: 48 kHz, 16 biter, Dolby Digital, Dolby Digital Plus, DTS)

↔ DIGITAL AUDIO OUT (OPTICAL)

Digital optisk kontakt (tokanals lineær PCM: 48 kHz, 16 biter, Dolby Digital, DTS)

AUDIO OUT ↔/↔ (stereomini-kontakt)

Hodetelefon, lydutgang, subwoofer

↔*1, ↔*2, SS↔*3 (HDD REC)*¹

USB-enhetsport (SS↔*3 3 USB HDD-enhet for REC-funksjon)

USB-port 1 og 2 støtter høyhastighets USB (USB2.0).

USB-port 3 støtter superrask USB (USB3.0).



CAM-spor (Conditional Access Module)



10BASE-T/100BASE-TX-kontakt

(Tilkoblingshastigheten kan variere avhengig av driftsmiljøet til nettverket. 10BASE-T/100BASE-TX kommunikasjons-hastighet og -kvalitet garanteres ikke for denne TV-en.)

⊖⊕ DC IN 24 V (bare modeller med medfølgende strømadapter)

Nettadapterinngang

IR BLASTER*¹

IR Blaster kabelinngang (miniplugg)

Annet

Tilleggsutstyr

Veggmonteringsbrakett: SU-WL845 (Kun KD-75XE94xx, KD-65XE93xx)

Veggmonteringsbrakett: SU-WL840 (Kun KD-55XE93xx)

Veggmonteringsbrakett: SU-WL450 (Kun KD-65/55XE93xx)

Driftstemperatur

0 °C – 40 °C

Driftsluftfuktighet

10 % – 80 % relativ fuktighet (ikke-kondenserende)

Strøm, produktmikrokort og annet

Strømkrav

unntatt for modell med medfølgende strømadapter
220 V - 240 V vekselstrøm, 50 Hz
bare modeller med medfølgende strømadapter
24 V likestrøm (DC) med strømadapter
Rangering: Inntak 220 V - 240 V vekselstrøm, 50 Hz

Energieffektivitetsklasse

KD-75XE94xx: B
KD-65XE93xx: A
KD-55XE93xx: B

Skjermstørrelse (målt diagonalt) (Ca.)

KD-75XE94xx: 189,3 cm / 75 tommer
KD-65XE93xx: 163,9 cm / 65 tommer
KD-55XE93xx: 138,8 cm / 55 tommer

Strømforbruk

i [Standard]-modus

KD-75XE94xx: 298 W
KD-65XE93xx: 164 W
KD-55XE93xx: 137 W

i [Dynamisk]-modus

KD-75XE9405: 495 W
KD-65XE9305: 294 W
KD-55XE9305: 227 W

Gjennomsnittlig årlig strømforbruk*2

KD-75XE94xx: 413 kWh
KD-65XE93xx: 227 kWh
KD-55XE93xx: 190 kWh


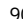
Strømforbruk i hvilemodus*3*4

0,50 W (27 W i programvare-/EPG-oppdateringsmodus)

Skjermopløsning

3840 punkter (horisontalt) × 2160 linjer (vertikalt)

Nominell effekt

USB 1/2: 5 V, , 500 mA MAKS.
USB 3: 5 V, , 900 mA MAKS.

Mål (Ca.) (b × h × d)

med bordstativ

KD-75XE94xx: 167,3 × 103,7 × 32,5 cm
KD-65XE93xx: 145,1 × 91,3 × 29,5 cm
KD-55XE93xx: 123,2 × 79,0 × 28,2 cm

uten bordstativ

KD-75XE94xx: 167,3 × 96,2 × 6,2 cm
KD-65XE93xx: 145,1 × 83,8 × 3,9 cm
KD-55XE93xx: 123,2 × 71,5 × 4,0 cm

Vekt (Ca.)

med bordstativ

KD-75XE94xx: 47,6 kg
KD-65XE93xx: 42,4 kg
KD-55XE93xx: 32,6 kg

uten bordstativ

KD-75XE94xx: 42,8 kg
KD-65XE93xx: 38,2 kg
KD-55XE93xx: 28,6 kg

*1 Kun i begrenset region/land/TV-modell.

*2 Energiforbruk per år, basert på fjernsynets strømforbruk når det brukes 4 timer om dagen i 365 dager. Det faktiske energiforbruket vil avhenge av hvordan fjernsynet brukes.

*3 Spesifisert strømforbruk i hvilemodus nås etter at TV-en har avsluttet nødvendige interne prosesser.

*4 Strømforbruk i standby vil øke når TV-en er koblet til nettverket.

Merknader

- Ikke fjern dekelet fra sporet på TV CAM (Conditional Access Module, betinget tilgangsmodule) med mindre det skal settes inn et smartkort i CAM-en.
- Tilgjengeligheten til tilbehør avhenger av land/region/TV-modell/lagerstatus.
- Design og spesifikasjoner kan endres uten varsel.

Merknader til digital TV-funksjon

- Digital-TV (DVB bakke, satellitt og kabel), interaktive tjenester og nettverksfunksjoner vil kanskje ikke være tilgjengelige i alle land eller regioner. Noen funksjoner er muligens ikke aktivert eller vil kanskje ikke virke korrekt hos noen leverandører og i noen nettverksmiljøer. Noen TV-tjenesteleverandører vil kunne kreve gebyr for tjenestene sine.
- Denne TV-en støtter digital kringkasting med kodekene MPEG-2, H.264/MPEG-4 AVC og H.265/HEVC, men kompatibilitet kan ikke garanteres med alle operatører/tjenestesignaler, da de disse vil kunne endres med tiden.

Varemerker

- Begrepene HDMI og High-Definition Multimedia Interface, og HDMI-logoen er varemerker eller registrerte varemerker for HDMI Licensing LLC i USA og andre land.
- Produsert under lisens fra Dolby Laboratories.
Dolby, Dolby Audio og dobbel-D-symbolet er varemerker som tilhører Dolby Laboratories.
- "BRAVIA" og BRAVIA er varemerker for Sony Corporation.
- Gracenote, Gracenote eyeQ, Gracenote VideoID, Gracenote Video Explore, Gracenote-logoen og logoens skrift, og "Powered by Gracenote"-logoen er enten registrerte varemerker eller varemerker for Gracenote i USA og/eller andre land.
- Opera® Devices SDK. Copyright 1995-2016 Opera TV AS. All rights reserved.
- Wi-Fi, Wi-Fi Direct, Miracast, Wi-Fi Protected Setup og Wi-Fi CERTIFIED-logo er varemerker eller registrerte varemerker for Wi-Fi Alliance.
- For DTS-patenter, se <http://patents.dts.com>. Fremstilt under lisens fra DTS, Inc.
DTS. symbolet og DTS og symbolet sammen er registrerte varemerker, og DTS Digital Surround er et varemerke for DTS, Inc. © DTS, Inc. Med enerett.
- Bluetooth®-merket og logoene er registrerte varemerker som eies av Bluetooth SIG, Inc., og all bruk av slike merker av Sony Corporation, er under lisens. Andre varemerker og varemerkenavn tilhører sine respektive eiere.
- DiSEqC™ er et varemerke for EUTELSAT. Denne TV-en støtter DiSEqC 1.0. Denne TV-en er ikke ment for å kontrollere motoriserte antenner.
- TUXERA er et registrert varemerke for Tuxera Inc. i USA og andre land.
- USB-IF SuperSpeed USB Trident-logoen er et registrert varemerke for USB Implementers Forum, Inc. 

Spis treści

WAŻNA UWAGA	2
Informacje dotyczące bezpieczeństwa.	3
Środki ostrożności	6
Podzespoły i elementy sterowania.	8
Elementy sterowania i wskaźniki	8
Korzystanie z pilota	9
Opis pilota	9
Schemat podłączeń	11
Montaż telewizora na ścianie	13
Używanie opcjonalnego uchwytu ściennego	13
SU-WL845 (KD-75XE94xx, KD-65XE93xx), SU-WL840 (KD-55XE93xx)	14
SU-WL450 (Tylko KD-65/55XE93xx)	14
Tylko KD-75XE94xx, KD-55XE93xx	16
Rozwiązywanie problemów	19
Problemy i rozwiązania	19
Dane techniczne	20

Połączenie internetowe i poufność danych

Niniejszy produkt nawiązuje połączenie z Internetem podczas wstępnej konfiguracji niezwłocznie po podłączeniu do sieci w celu potwierdzenia połączenia internetowego, a następnie w celu skonfigurowania ekranu głównego. W trakcie takiego i każdego innego połączenia internetowego używany jest adres IP. Aby w ogóle nie korzystać z adresu IP, nie należy konfigurować funkcji bezprzewodowego połączenia z Internetem i nie podłączać kabla internetowego. Zapoznaj się z informacjami o poufności przedstawionymi na ekranach konfiguracji, aby uzyskać więcej szczegółów na temat połączeń internetowych.

Wprowadzenie

Dziękujemy, że wybrali Państwo produkt firmy Sony. Przed przystąpieniem do eksploatacji telewizora należy dokładnie zapoznać się z treścią niniejszej instrukcji oraz zachować ją do wykorzystania w przyszłości.

Uwaga

- Przed przystąpieniem do eksploatacji telewizora należy zapoznać się z treścią „Informacje dotyczące bezpieczeństwa” (strona 3).
- Zdjęcia i ilustracje użyte w Przewodniku ustawień i w tej instrukcji mają charakter jedynie poglądowy i mogą się różnić od rzeczywistego produktu.
- Znak „xx” widoczny obok nazwy modelu odpowiada wartości liczbowej powiązanej z projektem, kolorem lub systemem TV.

Lokalizacja Przewodnika ustawień

Przewodnik ustawień znajduje się na miękkiej podkładce wewnątrz opakowania z telewizorem.

Pomoc/Przewodnik pomocniczy

Funkcja Pomoc oferuje wiele informacji na temat telewizora. Aby skorzystać z funkcji Pomoc, naciśnij przycisk **HELP** na pilocie. Informacje dotyczące obsługi oraz rozwiązywania problemów można znaleźć na liście lub wyszukując słowa kluczowe. W menu Pomoc wybierz [Przewodnik pomocniczy], aby wyświetlić instrukcję obsługi. Po podłączeniu telewizora do Internetu, funkcja Pomoc i informacje będą aktualizowane.

Lokalizacja etykiety identyfikacyjnej

Etykiety dotyczące numeru modelu, daty produkcji (rok i miesiąc) oraz specyfikacji elektrycznej znajdują się z tyłu telewizora lub opakowania. Można je znaleźć zdejmując pokrywę stojaka i i pokrywę środkową.

W przypadku modeli wyposażonych w zasilacz sieciowy: Etykiety dotyczące numeru modelu zasilacza sieciowego i numeru seryjnego znajdują się na spodzie zasilacza sieciowego.

OSTRZEŻENIE

ABY UNIKNĄĆ RYZYKA
POŻARU, ŚWIECZKI I
INNE ŹRÓDŁA OTWARTEGO
OGNIA NALEŻY ZAWSZE
UTRZYMYWAĆ Z DALA OD
PRODUKTU.



WAŻNA UWAGA

Nadzór nad dystrybucją na terytorium RP :
Sony Europe Limited,
The Heights, Brooklands
Weybridge, Surrey, KT 13 0XW
United Kingdom.

Produkt ten został wyprodukowany przez lub na zlecenie Sony Corporation, 1-7-1 Konan Minato-ku Tokio, 108-0075 Japonia. Zapytania dotyczące zgodności produktu z wymaganiami prawa Unii Europejskiej należy kierować do Sony Belgium, bijkantoor van Sony Europe Limited, Da Vincilaan 7-D1, 1935 Zaventem, Belgia. W kwestiach dotyczących usług serwisowych lub gwarancji należy korzystać z adresów kontaktowych podanych w oddzielnych dokumentach dotyczących usług serwisowych lub gwarancji.

Informacja dotycząca sprzętu radiowego



Firma Sony Corporation niniejszym oświadcza, że sprzęt radiowy typu KD-75XE9405, KD-65XE9305, KD-55XE9305 jest zgodny z najważniejszymi wymogami oraz innymi odpowiednimi przepisami zawartymi w dyrektywie 1999/5/EC. Aby uzyskać więcej informacji, patrz: <http://www.compliance.sony.de/>

Ten sprzęt radiowy można używać w krajach UE bez naruszania obowiązujących wymogów w zakresie korzystania z urządzeń radiowych.

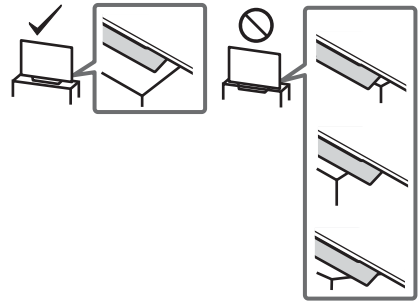
Informacja dla klientów: poniższe informacje mają zastosowanie wyłącznie do urządzeń w krajach stosujących dyrektywę UE.

Z systemu bezprzewodowego telewizora można korzystać w następujących krajach:

AT, BE, HR, CY, CZ, DK, EE, FI, FR, DE, EL, HU, IE, IT, LV, LT, LU, MT, NL, PL, PT, SK, SI, ES, SE, UK, IS, LI, NO, CH, BG, RO, TR, AL, BA, MK, MD, RS, ME, Kosovo

Urządzenie może być używane w innych krajach poza Europą.

- Zainstaluj telewizor w taki sposób, aby podstawa telewizora nie wystawała poza stojak (brak w zestawie). Jeśli podstawa telewizora wystaje poza stojak, może to spowodować przewrócenie i upadek telewizora, a w efekcie spowodować obrażenia osobiste lub uszkodzenie telewizora.



Informacje dotyczące bezpieczeństwa

OSTRZEŻENIE

Nie wolno narażać baterii na działanie zbyt wysokich temperatur przez ekspozycję na słońce, ogień itd.

Nigdy nie należy umieszczać telewizora w niestabilnym miejscu.

Telewizor może się przewrócić, powodując poważne obrażenia lub śmierć. Wielu obrażeń, szczególnie u dzieci, można uniknąć stosując takie proste środki ostrożności jak:

- Korzystanie z szafek lub stojaków zalecanych przez producenta telewizora.
- Korzystanie wyłącznie z mebli, które mogą bezpiecznie udźwignąć telewizor.
- Upewnienie się, że telewizor nie wystaje nad krawędź mebli, na których spoczywa.
- Nieumieszczanie telewizora na wysokich meblach (np. kredensach lub szafkach na książki), jeśli meble i telewizor nie zostały zaczepione o odpowiednie oparcie.
- Nieumieszczanie telewizora na obrusie lub innych materiałach, które mogą się znajdować pomiędzy telewizorem a meblem, na którym stoi.
- Wyjaśnienie dzieciom niebezpieczeństwa związanego ze wspinaniem się na mebel w celu sięgnięcia telewizora lub jego elementów sterowania.

Jeśli pozostał stary telewizor i jest on przenoszony do innego miejsca, obowiązują te same wskazówki.

Montaż i instalacja

Aby uniknąć ryzyka wybuchu pożaru, porażenia prądem elektrycznym, uszkodzenia sprzętu i/lub ewentualnych obrażeń ciała, odbiornik TV należy zainstalować zgodnie z instrukcjami podanymi poniżej.

Instalacja

- Telewizor powinien być zainstalowany w pobliżu łatwo dostępnego gniazdka.
- Ustaw telewizor na stabilnej, równej powierzchni tak, aby zapobiec ryzyku jego przewrócenia i spowodowania obrażeń ciała lub uszkodzenia mienia.
- Zainstaluj telewizor w miejscu, w którym nie może być pociągnięty, popchnięty lub przewrócony.

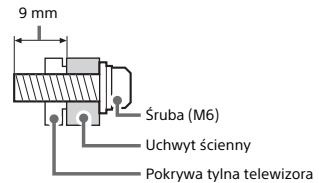
- Montaż uchwyty na ścianie należy zlecić wykwalifikowanemu instalatorowi.
- Ze względów bezpieczeństwa zaleca się stosowanie akcesoriów Sony:

- Uchwyt ścienny SU-WL845 (Tylko KD-75XE94xx, KD-65XE93xx)
- Uchwyt ścienny SU-WL840 (Tylko KD-55XE93xx)
- Uchwyt ścienny SU-WL450 (Tylko KD-65/55XE93xx)

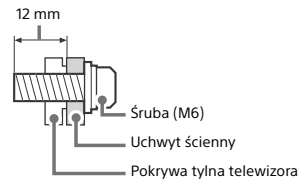
- Podczas montażu uchwyty ściennego do telewizora należy używać śrub dostarczonych razem z uchwytem ściennym. Dostarczone śruby są zaprojektowane w sposób pokazany na ilustracji w przypadku pomiaru od powierzchni mocującej uchwyty ściennego.

- Średnica i długość śrub różnią się w zależności od modelu ściennego uchwyty mocującego. Stosowanie śrub innych niż dostarczane w komplecie może spowodować uszkodzenia wewnętrzne w odbiorniku TV, jego upadek, itp.
- Uchwyt ścienny w zestawie (Tylko SU-WL845, SU-WL840)

Część górna



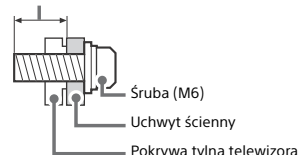
Część dolna



- Uchwyt ścienny w zestawie (Z wyjątkiem SU-WL845, SU-WL840)

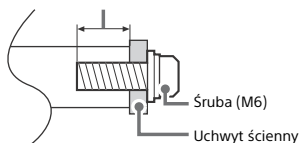
KD-75XE94xx

9 mm - 13 mm



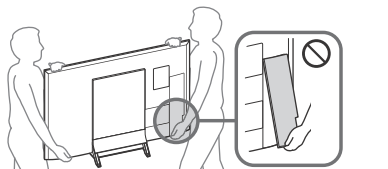
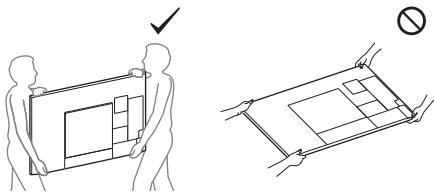
KD-65/55XE93xx

8 mm - 12 mm

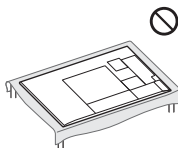


Transport

- Przed rozpoczęciem przenoszenia odbiornika należy odłączyć od niego wszystkie kable.
- Do przenoszenia dużego odbiornika TV potrzeba dwóch lub trzech osób.
- Przenosząc telewizor w rękach, należy go złapać tak, jak na rysunku. Nie wolno naciskać ekranu ciekłokrystalicznego ani ramy dookoła ekranu.

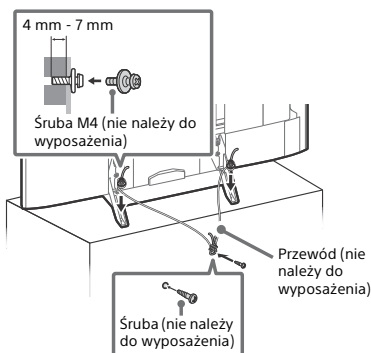
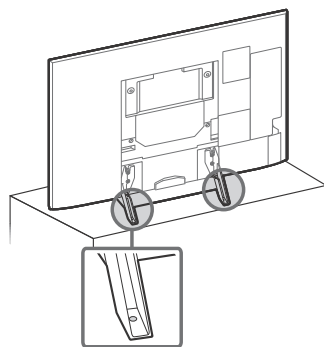


- Podczas przenoszenia lub mocowania telewizor nie należy go odkładać ekranem do dołu.



- Podczas transportu odbiornik nie powinien być narażony na wstrząsy mechaniczne i nadmierne wibracje.
- Na czas transportu odbiornika do naprawy lub podczas przeprowadzki, należy zapakować go w oryginalny karton i elementy opakowania.

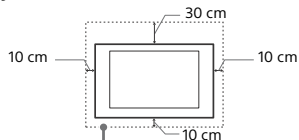
Zabezpieczenie przed przewróceniem



Wentylacja

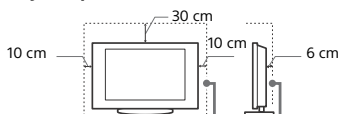
- Nie wolno zasłaniać otworów wentylacyjnych ani wkładać żadnych rzeczy do obudowy.
- Wokół odbiornika TV należy pozostawić trochę wolnej przestrzeni, tak jak to pokazano na rysunku poniżej.
- Zaleca się stosowanie oryginalnego ściennego uchwyty mocującego Sony, aby zapewnić odpowiednią wentylację.

Instalacja na ścianie



Pozostawić co najmniej tyle miejsca wokół odbiornika TV.

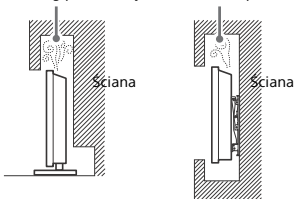
Instalacja na podstawie



Pozostawić co najmniej tyle miejsca wokół odbiornika TV.

- Aby zapewnić właściwą wentylację i zapobiec osiadananiu brudu lub kurzu:
 - Nie należy ustawiać odbiornika TV ekranem do góry, montować go do góry nogami, odwróconego tyłem lub bokiem.
 - Nie należy ustawiać odbiornika TV na półce, dywanie, łóżku lub w szafce.
 - Nie należy przykrywać odbiornika TV materiałami, np. zasłonami lub innymi przedmiotami, takimi jak gazety itp.
 - Nie należy instalować odbiornika tak, jak to pokazano na rysunkach poniżej.

Obieg powietrza jest zablokowany.



Przewód zasilający

Aby uniknąć ryzyka wybuchu pożaru, porażenia prądem elektrycznym, uszkodzenia sprzętu i/lub ewentualnych obrażeń ciała, z przewodem zasilającym i gniazdem sieciowym należy postępować w następujący sposób:

- Należy używać wyłącznie przewodów zasilających dostarczonych przez Sony, a nie przez innych dostawców.
- Wtyczka powinna być całkowicie włożona do gniazda sieciowego.
- Odbiornik TV jest przystosowany do zasilania wyłącznie napięciem 220 V - 240 V AC.
- W celu zachowania bezpieczeństwa, podczas dokonywania połączeń, należy wyjąć wtyczkę przewodu zasilającego z gniazdka oraz uważać, aby nie nadeptać na przewód.
- Przed przystąpieniem do serwisowania lub przesuwania odbiornika TV należy wyjąć wtyczkę przewodu zasilającego z gniazdka.
- Przewód zasilający powinien znajdować się z dala od źródeł ciepła.
- Należy regularnie wyjmować wtyczkę z gniazdka i czyścić ją. Jeśli wtyczka jest pokryta kurzem i gromadzi wilgoć, jej właściwości izolujące mogą ulec pogorszeniu, co może być przyczyną pożaru.

Uwaga

- Dostarczonego w zestawie przewodu zasilającego nie należy używać do jakichkolwiek innych urządzeń.
- Należy uważać, aby nie przycisnąć, nie zgąć ani nie skrócić nadmiernie przewodu zasilającego. Może to spowodować uszkodzenie izolacji lub urwanie żył przewodu.
- Nie należy przerabiać przewodu zasilającego.
- Na przewodzie zasilającym nie należy kłaść ciężkich przedmiotów.
- Podczas odłączania nie wolno ciągnąć za sam przewód.
- Nie należy podłączać zbyt wielu urządzeń do tego samego gniazda sieciowego.
- Nie należy używać gniazd sieciowych słabo trzymających wtyczkę.

UWAGA ODNOŚNIE ZASILACZA SIECIOWEGO (wyłącznie modele z zasilaczem w zestawie)

Ostrzeżenie

W celu ograniczenia ryzyka pożaru lub porażenia prądem nie wystawiać tego urządzenia na działanie deszczu ani wilgoci. W celu ograniczenia ryzyka pożaru lub porażenia prądem nie umieszczać na tym urządzeniu obiektów wypełnionych wodą, takich jak flakony. Nie instalować urządzenia w ograniczonej przestrzeni, takiej jak np. półka na książki.

- Należy się upewnić, że gniazdko sieciowe znajduje się w pobliżu urządzenia i jest łatwo dostępne.
- Należy używać dołączonego do zestawu zasilacza sieciowego i przewodu zasilającego.
- Nie należy używać żadnego innego zasilacza sieciowego, gdyż może to spowodować awarię.

- Zasilacz sieciowy należy podłączać do łatwo dostępnego gniazdka sieciowego.
- Nie owijać przewodu zasilającego wokół zasilacza sieciowego. Żył przewodu mogą ulec przerwaniu, co może spowodować nieprawidłowe działanie odbiornika.



- Nie dotykać zasilacza sieciowego mokrymi dłońmi.
- Jeśli stwierdzone zostanie nieprawidłowe działanie zasilacza sieciowego, należy go natychmiast odłączyć od gniazdka sieciowego.
- Telewizor pozostaje podłączony do zasilania tak długo, jak jest podłączony do gniazdka sieciowego, nawet jeśli sam telewizor jest wyłączony.
- Ponieważ zasilacz sieciowy nagrzewa się podczas długotrwałego użytkowania, dotykając go dłonią, można odczuć ciepło.

Niedozwolone użycie

Odbiornika TV nie należy instalować oraz eksploatować w miejscach, warunkach lub okolicznościach, jakie opisano poniżej. Niezastosowanie się do poniższych zaleceń może prowadzić do wadliwej pracy odbiornika, a nawet pożaru, porażenia prądem elektrycznym, uszkodzenia sprzętu i/lub obrażeń ciała.

Miejsce:

- Odbiornik TV nie należy montować na zewnątrz pomieszczeń (w miejscach narażonych na bezpośrednie działanie promieni słonecznych), nad morzem, na statku lub innej jednostce pływającej, w pojeździe, w instytucjach ochrony zdrowia, w miejscach niestabilnych lub narażonych na działanie wody, deszczu, wilgoci lub dymu.

Warunki:

- Nie należy umieszczać telewizora w miejscach gorących, wilgotnych lub nadmiernie zapylonych; w miejscach, w których do wnętrza mogą dostawać się owady; w miejscach, w których może być narażony na działanie wibracji mechanicznych lub w pobliżu przedmiotów palnych (świeczek, itp.). Odbiornik TV należy chronić przed zalaniem i nie stawiać na nim żadnych przedmiotów wypełnionych wodą, np. wazonów.

Okoliczności:

- Dotykać mokrymi rękoma, przy zdjętej obudowie lub używać z akcesoriów, które nie są zalecane przez producenta. W czasie burz z wyładowaniami atmosferycznymi należy wyjąć wtyczkę przewodu zasilającego telewizora z gniazdka i odłączyć przewód antenowy.
- Instalacja telewizora tak, aby jego obudowa wystawała na otwartą przestrzeń. Może to powodować uderzenie w telewizor przez osoby lub przedmioty oraz doprowadzić do jego uszkodzenia.
- Umieszczanie telewizora w miejscach wilgotnych lub zakurzonych oraz miejscach wypełnionych olejnym dymem lub parą (w pobliżu płyt kuchennych lub nawilżaczy). Może to spowodować pożar, porażenie prądem lub odkształcenia obudowy.
- Instalacja telewizora w miejscach narażonych na działanie wyższych temperatur, takich jak miejsca bezpośrednio oświetlane przez promienie słońca, położone w pobliżu grzejnika lub nawiewu ogrzewania. W takich warunkach może dojść do przegrzania telewizora, a w konsekwencji do zdeformowania obudowy i/lub awarii samego urządzenia.



- Telewizor znajdujący się w szatni jaczuzzi albo łaźni publicznej może zostać uszkodzony przez unoszące się w powietrzu cząsteczki siarki i inne.



- Aby zapewnić najlepszą jakość obrazu, nie należy wystawiać ekranu na bezpośrednie oświetlenie lub działanie promieni słonecznych.
- Nie przenoś urządzenie z zimnego do ciepłego pomieszczenia. Gwałtowna zmiana temperatury może powodować skraplanie wilgoci. Może to pogorszyć jakość obrazu na telewizorze lub kolorów. W takiej sytuacji przed włączeniem telewizora należy poczekać na całkowite odparowanie wilgoci.

Kawałki szkła lub uszkodzenia:

- W odbiorniku nie należy rzucać żadnymi przedmiotami. Może to spowodować uszkodzenie szkła ekranu i prowadzić do poważnych obrażeń ciała.
- W przypadku pęknięcia powierzchni ekranu lub obudowy telewizora, przed dotknięciem odbiornika należy wyjąć wtyczkę przewodu zasilającego z gniazdka. Może to również powodować porażenie prądem elektrycznym.

Gdy odbiornik TV nie jest używany

- Mając na uwadze kwestie ochrony środowiska i bezpieczeństwa, zaleca się odłączenie odbiornika od źródła zasilania, jeśli nie będzie on używany przez kilka dni.
- Ponieważ wyłączenie odbiornika telewizyjnego nie powoduje odciążenia zasilania, w celu całkowitego wyłączenia urządzenia należy wyciągnąć wtyczkę przewodu zasilającego z gniazda sieciowego.
- Niektóre odbiorniki mogą być wyposażone w funkcje wymagające pozostawienia ich w trybie czuwania.

Zalecenia dot. bezpieczeństwa dzieci

- Nie należy pozwalać, aby na odbiornik TV wspinają się dzieci.
- Małe akcesoria należy przechowywać z dala od dzieci tak, aby uniknąć ryzyka ich przypadkowego połknięcia.

Co robić w przypadku wystąpienia problemów...

W przypadku wystąpienia jednego z poniższych problemów należy bezwzględnie **wyłączyć** odbiornik TV oraz wyjąć wtyczkę zasilającą z gniazdka sieciowego. Należy zwrócić się do punktu sprzedaży lub punktu serwisowego firmy Sony z prośbą o sprawdzenie odbiornika przez wykwalifikowanego serwisanta.

W przypadku:

- Uszkodzenia przewodu zasilającego.
- Gniazd sieciowych słabo trzymających wtyczkę.
- Uszkodzenia odbiornika w wyniku jego upuszczenia lub uderzenia przez obiekt obcy.
- Dostania się do wnętrza odbiornika cieczy lub przedmiotów obcych.

Informacje o temperaturze telewizora LCD

Gdy telewizor LCD jest używany przez dłuższy czas może dojść do rozgrzania się miejsc wokół panelu. Po dotknięciu dłońmi tych miejsc możesz poczuć, że są gorące.

Środki ostrożności

Oglądanie telewizji

- Program telewizyjny powinien być oglądany w pomieszczeniu o umiarkowanym oświetleniu, ponieważ oglądanie go w słabym świetle lub przez dłuższy czas jest męczące dla oczu.
- Podczas korzystania ze słuchawek należy unikać nadmiernego poziomu głośności ze względu na ryzyko uszkodzenia słuchu.

Ekran LCD

- Choć ekran LCD został wykonany z wykorzystaniem technologii wysokiej precyzji, dzięki której aktywnych jest ponad 99,99 % pikseli, na ekranie mogą pojawiać się czarne plamki lub jasne kropki (w kolorze czerwonym, niebieskim lub zielonym). Jest to jednak właściwość wynikająca z konstrukcji ekranu LCD i nie jest objawem usterki.

- Nie wolno naciskać ani drapać przedniego filtra, a także kłaść na odbiorniku TV żadnych przedmiotów. Może to spowodować zakłócenia obrazu lub uszkodzenie ekranu LCD.
- Jeśli odbiornik TV jest używany w zimnym miejscu, na obrazie mogą wystąpić plamy lub obraz może stać się ciemny. Nie jest to oznaką uszkodzenia telewizora. Zjawiska te zanikają w miarę wzrostu temperatury.
- Długotrwałe wyświetlanie obrazów nieruchomych może spowodować wystąpienie obrazów wtórnych (tzw. zjawy). Mogą one zniknąć po krótkiej chwili.
- Ekran i obudowa nagrzewają się podczas pracy telewizora. Nie jest to oznaką uszkodzenia urządzenia.
- Ekran LCD zawiera niewielką ilość ciekłych kryształów. Podczas utylizacji należy przestrzegać lokalnych zaleceń i przepisów.

Obchodzenie się z powierzchnią ekranu/ obudową odbiornika TV i ich czyszczenie

Przed przystąpieniem do czyszczenia należy wyjąć wtyczkę przewodu zasilającego z gniazdka.

- Aby uniknąć pogorszenia stanu materiału lub powłoki ekranu odbiornika, należy postępować zgodnie z poniższymi środkami ostrożności.
- Aby usunąć kurz z powierzchni ekranu/obudowy, należy wytrzeć go delikatnie za pomocą miękkiej ściereczki. Jeśli nie można usunąć kurzu, należy wytrzeć ekran za pomocą miękkiej ściereczki lekko zwilżonej rozcieńczonym roztworem delikatnego detergentu.
- Nie wolno spryskiwać odbiornika TV wodą ani detergentem. Ciecz może przedostać się przez spód ekranu lub elementy zewnętrzne do środka odbiornika i spowodować jego uszkodzenie.
- Nie należy używać szorstkich gąbek, środków czyszczących na bazie zasad lub kwasów, proszków do czyszczenia ani lotnych rozpuszczalników, takich jak alkohol, benzyna, rozcieńczalnik czy środek owadobójczy. Używanie takich środków lub długotrwały kontakt z gumą lub winylem może spowodować uszkodzenie powierzchni ekranu lub obudowy.
- Nie dotykaj telewizora, gdy masz ręce pokryte dowolną substancją chemiczną np. kremem do rąk lub kremem do opalania.
- Aby zapewnić właściwą wentylację, zaleca się okresowo odkurzać otwory wentylacyjne.
- Regulację kąta nachylenia odbiornika należy wykonywać powolnym ruchem tak, aby odbiornik nie spadł lub nie zsunął się z podstawy pod telewizor.

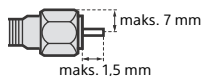


Urządzenia dodatkowe

- W pobliżu odbiornika TV nie należy umieszczać urządzeń dodatkowych lub urządzeń emitujących promieniowanie elektromagnetyczne. Może to spowodować zakłócenia obrazu i/lub dźwięku.
- Ten sprzęt został sprawdzony i zatwierdzony w zakresie zgodności z ograniczeniami wytycznymi w Dyrektywie EMC przy długości sygnałowego przewodu łączącego mniejszej niż 3 metry.
- Ten sprzęt został sprawdzony i zatwierdzony w zakresie zgodności z ograniczeniami wytycznymi w Dyrektywie EMC przy długości przewodu RF mniejszej niż 30 m w przypadku złącza telewizji naziemnej/satelitarnej/kablowej.

Zalecenie dotyczące wtyku typu F

Długość części przewodu wewnętrzznego wystającej z części połączeniowej nie może przekraczać 1,5 mm.



(rysunek przedstawiający wtyk typu F)

Funkcje komunikacji bezprzewodowej

- Nie należy używać produktu w pobliżu sprzętu medycznego (rozruszniki serca itd.), gdyż może to skutkować wadliwym działaniem tego sprzętu.
- To urządzenie wysyła i odbiera sygnał zakodowany. Tym niemniej należy dbać o to, aby nie został on przechwycony przez niepowołane osoby. Nie ponosimy odpowiedzialności za ewentualne problemy wynikające z takich zdarzeń.
- Ten sprzęt należy zainstalować i obsługiwać zachowując odległość co najmniej 20 cm pomiędzy jego anteną i ciałem.

Zalecenia dotyczące obsługi pilota

- Przy wkładaniu baterii do pilota zachować właściwą biegunowość.
- Nie należy używać różnych typów baterii jednocześnie ani łączyć starych baterii z nowymi.
- Zużyte baterie należy utylizować w sposób nieszkodliwy dla środowiska naturalnego. W niektórych regionach sposób utylizacji zużytych baterii mogą regulować stosowne przepisy. Należy skontaktować się w tej sprawie z lokalnymi władzami.
- Należy ostrożnie obchodzić się z pilotem. Nie należy nim rzucić, chodzić po nim, ani wylewać na niego żadnych płynów.
- Nie należy kłaść pilota w pobliżu źródeł ciepła lub w miejscach narażonych na bezpośrednie działanie promieni słonecznych. Chronić je przed wilgocią.

Utylizacja telewizora



Pozbywanie się zużytego sprzętu (stosowane w krajach Unii Europejskiej i w pozostałych krajach europejskich stosujących własne systemy zbiórki)

Ten symbol na produkcie lub jego opakowaniu oznacza, że produkt nie może być traktowany jako odpad komunalny, lecz powinno się go dostarczyć do odpowiedniego punktu zbiórki

sprzętu elektrycznego i elektronicznego, w celu recyklingu. Odpowiednie zadysponowanie zużytego produktu zapobiega potencjalnym negatywnym wpływom na środowisko oraz zdrowie ludzi, jakie mogłyby wystąpić w przypadku niewłaściwego zagospodarowania odpadów. Recykling materiałów pomaga chronić środowisko naturalne. W celu uzyskania bardziej szczegółowych informacji na temat recyklingu tego produktu, należy skontaktować się z lokalną jednostką samorządu terytorialnego, ze służbami zagospodarowywania odpadów lub ze sklepem, w którym zakupiony został ten produkt.

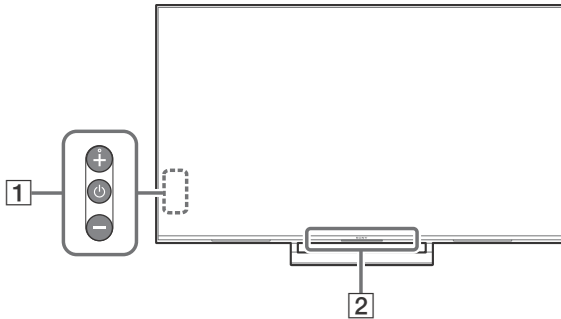


Pozbywanie się zużytych baterii (stosowane w krajach Unii Europejskiej i w pozostałych krajach europejskich mających własne systemy zbiórki)

Ten symbol umieszczony na baterii lub na jej opakowaniu oznacza, że nie może być ona traktowana jako odpad komunalny. Symbol ten dla pewnych rodzajów baterii może być stosowany w kombinacji z symbolem chemicznym. Symbole chemiczne rtęci (Hg) lub ołowiu (Pb) stosuje się jako dodatkowe oznaczenie, jeśli bateria zawiera więcej niż 0,0005 % rtęci lub 0,004 % ołowiu. Odpowiednio gospodarując zużytymi bateriami, możesz zapobiec potencjalnym negatywnym wpływom na środowisko oraz zdrowie ludzi, jakie mogłyby wystąpić w przypadku niewłaściwego obchodzenia się z tymi odpadami. Recykling baterii pomoże chronić środowisko naturalne. W przypadku produktów, w których ze względu na bezpieczeństwo, poprawne działanie lub integralność danych wymagane jest stałe podłączenie do baterii, wymianę zużytej baterii należy zlecić wyłącznie wykwalifikowanemu personelowi stacji serwisowej. Aby mieć pewność, że bateria znajdująca się w zużytym sprzęcie elektrycznym i elektronicznym będzie właściwie zagospodarowana, należy dostarczyć sprzęt do odpowiedniego punktu zbiórki. W odniesieniu do wszystkich pozostałych zużytych baterii, prosimy o zapoznanie się z rozdziałem instrukcji obsługi produktu o bezpiecznym demontażu baterii. Zużyta baterię należy dostarczyć do właściwego punktu zbiórki. W celu uzyskania bardziej szczegółowych informacji na temat zbiórki i recyklingu baterii należy skontaktować się z lokalną jednostką samorządu terytorialnego, ze służbami zajmującymi się zagospodarowywaniem odpadów lub ze sklepem, w którym zakupiony został ten produkt.

Podzespoły i elementy sterowania

Elementy sterowania i wskaźniki



1 ⏻ (Włącznik) /+/-

Gdy telewizor jest wyłączony,

Naciśnij ⏻, aby go włączyć.

Gdy telewizor jest włączony,

Naciśnij i przytrzymaj przycisk ⏻, aby wyłączyć zasilanie.

Naciśnij kilkakrotnie przycisk ⏻, aby zmienić funkcję, a następnie naciśnij przycisk + lub -, aby:

- regulacja głośności.
- wybór kanału.
- wybór źródła sygnału dla telewizora.

2 Czujnik zdalnego sterowania* / Czujnik światła* / Dioda LED

Diody podświetlające są włączone lub migają zgodnie z aktualnym stanem TV.

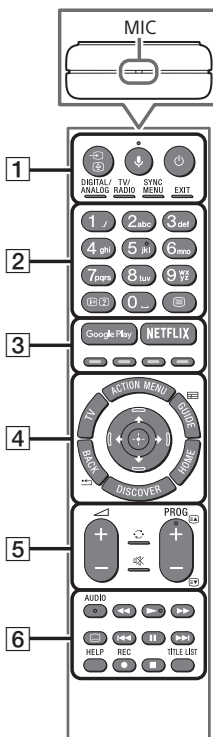
Dodatkowe informacje można znaleźć w Przewodniku pomocniczym.

* Nie umieszczaj żadnych przedmiotów w pobliżu czujnika.

Korzystanie z pilota

Opis pilota

Kształt, rozkład, dostępność i działanie funkcji przycisków pilota mogą się różnić w zależności od regionu/kraju/modelu telewizora.



1 (Wybór wejścia/zatrzymanie strony)

W trybie TV: Wyświetl i wybierz źródło sygnału wejściowego.

W trybie tekstowym: Zatrzymanie bieżącej strony.

(Mikrofon)

Używanie funkcji głosowych. (Przykładowo: wyszukiwanie treści za pomocą poleceń głosowych).

(Czuwanie)

Włączanie lub wyłączanie telewizora (tryb czuwania).

DIGITAL/ANALOG

Przełączanie trybu analogowego i cyfrowego.

TV/RADIO

Przełączanie między kanałami telewizyjnymi i stacjami radiowymi.

SYNC MENU

Wyświetlanie menu BRAVIA Sync.

EXIT

Powrót do poprzedniego ekranu lub wyjście z menu. Gdy dostępna jest usługa aplikacji interaktywnych, naciśnięcie przycisku powoduje zamknięcie usługi.

2 Przyciski numeryczne

(Wyświetlanie informacji/tekstu)

Wyświetlanie informacji.

(Tekst)

Wyświetlanie informacji tekstowych.

3 Google Play

Dostęp do usługi online „Google Play”.

NETFLIX (wyłącznie w przypadku niektórych regionów / krajów / modelu telewizora)

Dostęp do usługi online „NETFLIX”.

Przyciski kolorowe

Wykonują daną funkcję w określonym czasie.

4 ACTION MENU

Wyświetlanie listy funkcji kontekstowych.

TV

- Wybór kanału TV lub sygnału z innej aplikacji.
- Włączyć telewizor, aby wyświetlić kanał TV lub inne źródło sygnału.

GUIDE/

Wyświetlanie cyfrowego przewodnika po programach.

BACK/

Powrót do poprzedniego ekranu.

HOME

Wyświetlanie menu głównego telewizora.

DISCOVER

Wyświetlanie paska treści umożliwiającego wyszukiwanie treści.

(Wybierz pozycję/ Wprowadź)

5 +/- (Głośność)

Regulacja głośności.

(Przejsie)



Umożliwia przechodzenie między dwoma kanałami lub wejściami. W telewizorze są naprzemiennie wybierane kanały/wejścia bieżące i ostatnie wybrane.

(Wyciszenie)

Wyciszenie dźwięku. Ponownie naciśnięcie wyłącza wyciszenie.

PROG +/-/

W trybie TV: Wybór kanału.

W trybie tekstowym: Wybór następczej () lub poprzedniej () strony.

6 AUDIO

Zmiana języka aktualnie oglądanego programu.



Obsługa multimediów na telewizorze i w podłączonym zgodnym urządzeniu BRAVIA Sync.

(Tryb napisów)

Włączanie/wyłączanie napisów (gdy funkcja jest dostępna).

HELP

Wyświetlanie menu pomocy. Z tego poziomu można uzyskać dostęp do Przewodnika pomocniczego.

REC

Zapisanie bieżącego programu za pomocą funkcji nagrywania na dysku twardym USB.

TITLE LIST

Wyświetlanie listy tytułów.

1 **USB 1/2, USB 3 (HDD REC)*³**

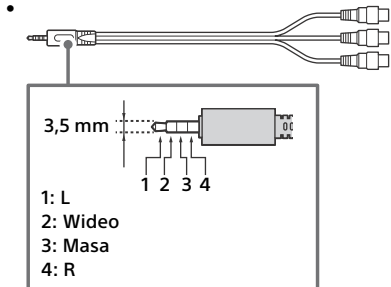
- Podłączenie dużego urządzenia USB może zakłócić pracę innych podłączonych urządzeń w pobliżu.
- Duże urządzenia USB należy podłączać do złącza USB 1.

2 **AUDIO OUT**

- Obsługuje wyłącznie 3-biegunowe miniaturowe wtyczki stereo typu minijack.
- Aby dźwięk z telewizora odtwarzać za pomocą podłączonego sprzętu audio, naciśnij przycisk **HOME**. Wybierz pozycję [Ustawienia] → [Dźwięk] → [Wyście słuchawkowe/audio] wskaż żądaną pozycję.

3 **AV IN 1**

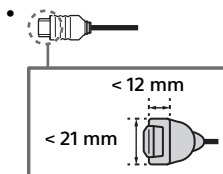
- W celu nawiązania połączenia kompozytowego, użyj przedłużacza kabla analogowego (nie należy do wyposażenia).



4 **IR BLASTER*³**

5 **HDMI IN 1/2/3/4**

- W przypadku podłączania cyfrowego systemu audio zgodnego z technologią kanału zwrotnego audio należy użyć złącza HDMI IN 3. W innych przypadkach należy użyć złącza DIGITAL AUDIO OUT (OPTICAL).



6 **(Wejście satelitarne), (Wejście RF)**

- Podłączenia sygnału naziemnego/kablowego i satelitarnego. Kolejność podłączeń: SUB. → Antena → MAIN
- Gniazdo SUB. należy podłączyć wyłącznie, jeżeli wykorzystywany jest tryb podwójnego tunera, z wyjątkiem dystrybucji za pomocą pojedynczego kabla EN50494.

7 **CAM (Moduł warunkowego dostępu)**

- Zapewnia dostęp do płatnych usług TV. Szczegóły zawarto w instrukcji obsługi modułu CAM.
- Karty smart card nie należy bezpośrednio podłączać do złącza TV CAM. Kartę należy najpierw umieścić w module warunkowego dostępu dostarczonego przez autoryzowanego dystrybutora.
- Moduły CAM nie są obsługiwane w niektórych krajach/obszarach. Szczegółowych informacji udzielają autoryzowani dystrybutorzy.
- Komunikat CAM może zostać wyświetlony po wybraniu programu cyfrowego po zakończeniu korzystania z funkcji przeglądania filmów w Internecie.

*1 Urządzenia monofoniczne należy podłączać do złącza audio L (MONO).

*2 W przypadku urządzenia zewnętrznego, w którym dostępne jest jedynie wyjście SCART AV OUT, użyj adaptera SCART-RCA.

*3 Wyłącznie w przypadku niektórych regionów/krajów/modeli telewizora.

Montaż telewizora na ścianie

Używanie opcjonalnego uchwytu ściennego

W tej instrukcji obsługi telewizora pokazano wyłącznie kroki dotyczące przygotowania telewizora do montażu na ścianie.

Do klientów:

Ze względu na ochronę produktu i zapewnienie bezpieczeństwa firma Sony zaleca, aby montaż tego telewizora był wykonywany przez przedstawicieli firmy Sony lub licencjonowanych wykonawców. Nie próbować wykonywać montażu samodzielnie.

Do przedstawicieli firmy Sony i licencjonowanych wykonawców:

Zwracać uwagę na bezpieczeństwo podczas montażu, konserwacji okresowej i sprawdzania tego produktu.

Montaż produktu powinien wykonać tylko profesjonalny instalator, mający odpowiednie kwalifikacje, aby określić, czy ściana utrzyma masę telewizora. Jeśli telewizor nie zostanie odpowiednio zabezpieczony podczas montażu, może spaść i spowodować poważne obrażenia ciała. Firma Sony nie ponosi odpowiedzialności za jakiegokolwiek szkody lub obrażenia ciała wynikające z nieprawidłowej obsługi lub montażu bądź instalacji innych urządzeń niż określony produkt. Nie ma to wpływu na prawa ustawowe użytkownika.

Użyj uchwytu ściennego SU-WL845 (nie należy do wyposażenia) (tylko KD-75XE94xx, KD-65XE93xx), SU-WL840 (nie należy do wyposażenia) (tylko KD-55XE93xx) lub SU-WL450 (nie należy do wyposażenia) (tylko KD-65/55XE93xx), aby zamontować telewizor na ścianie.

Podczas montażu uchwytu ściennego korzystać również z instrukcji obsługi i instrukcji montażu dostarczonych z uchwytem ściennym.

Uwaga

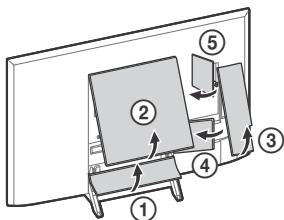
- Przechowywać wykręcone śruby w bezpiecznym miejscu, z dala od dzieci.
- Upewnij się, że na ścianie jest dość miejsca na telewizor oraz że ściana jest w stanie utrzymać masę co najmniej sześciokrotnie większą od masy telewizora.



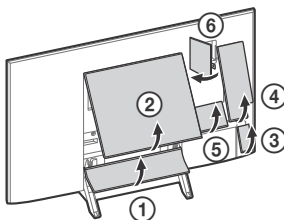
Instrukcje montażu uchwytu ściennego dla telewizora:
www.sony.eu/tv/wall-mount-bracket-manual

Zdejmij osłonę podstawy i osłony złączy.

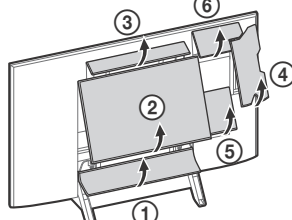
KD-75XE94xx



KD-65XE93xx



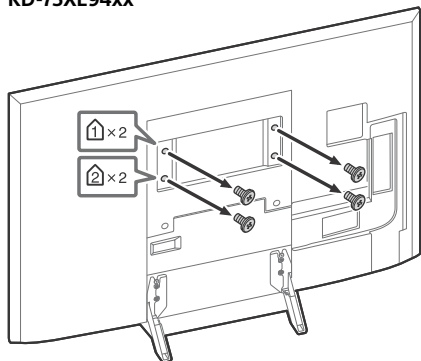
KD-55XE93xx



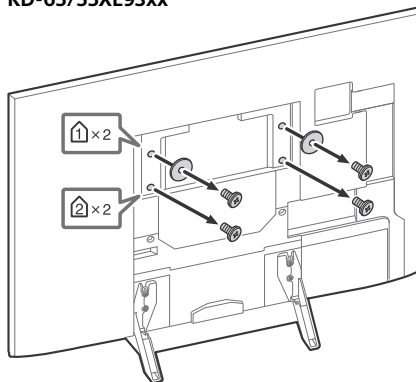
SU-WL845 (KD-75XE94xx, KD-65XE93xx), SU-WL840 (KD-55XE93xx)

Odkręć śruby z tylnego panelu telewizora.

KD-75XE94xx

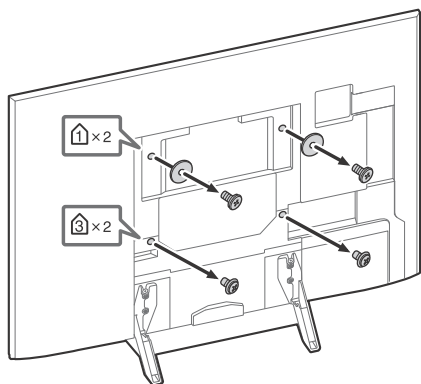


KD-65/55XE93xx

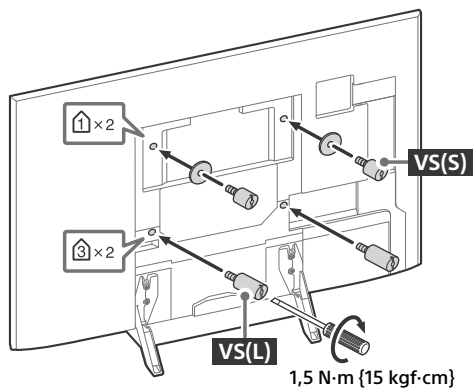


SU-WL450 (Tylko KD-65/55XE93xx)

1 Odkręć śruby z tylnego panelu telewizora.



- 2 Przymocuj uchwyt ścienny (dostarczony z telewizorem) z tyłu telewizora (aby ustawić go równoległe do ściany).



Uwaga

- W przypadku stosowania wkrętarki ustaw moment wkręcania na ok. 1,5 N·m {15 kgf·cm}.
- Upewnij się, że uchwyt ścienny został solidnie przymocowany do telewizora. Użycie innych narzędzi może spowodować przykręcenie uchwytu ściennego ze zbyt dużym momentem wkręcania, powodując uszkodzenie telewizora.

Tylko KD-75XE94xx, KD-55XE93xx

Telewizor można zamontować na uchwycie ściennym (brak w zestawie) po wyjęciu z opakowania.

Przed podłączeniem przewodów należy przygotować telewizor do zamontowania uchwytu ściennego.

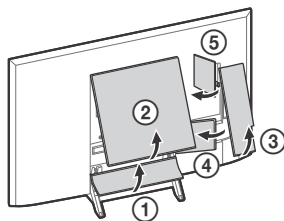
Montaż produktu powinien wykonać tylko profesjonalny instalator, mający odpowiednie kwalifikacje, aby określić, czy ściana utrzyma masę telewizora. Jeśli telewizor nie zostanie odpowiednio zabezpieczony podczas montażu, może spaść i spowodować poważne obrażenia ciała. Firma Sony nie ponosi odpowiedzialności za jakiegokolwiek szkody lub obrażenia ciała wynikające z nieprawidłowej obsługi lub montażu bądź instalacji innych urządzeń niż określony produkt. Nie ma to wpływu na prawa ustawowe użytkownika.

Ze względu na bezpieczeństwo produktu oraz użytkownika firma Sony zaleca, aby montaż telewizora na ścianie był wykonywany przez wykwalifikowanych monterów. Nie próbować wykonywać montażu samodzielnie.

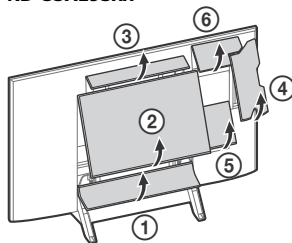
- Postępować zgodnie z instrukcjami dostarczonymi z uchwycem ściennym dla danego modelu.
- Nieużywane śruby i podstawę należy przechowywać w bezpiecznym miejscu z przeznaczeniem do zamontowania w przyszłości. Śruby należy przechowywać poza zasięgiem dzieci.
- Upewnij się, że na ścianie jest dość miejsca na telewizor oraz że ściana jest w stanie utrzymać masę co najmniej sześciokrotnie większą od masy telewizora.

1 Zdejmij osłonę podstawy i osłony złączy.

KD-75XE94xx

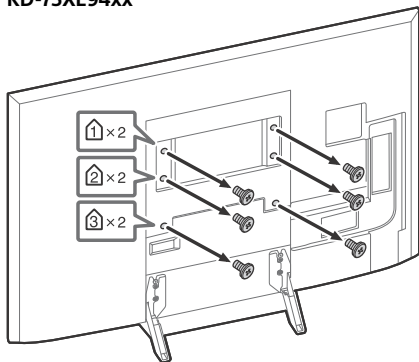


KD-55XE93xx

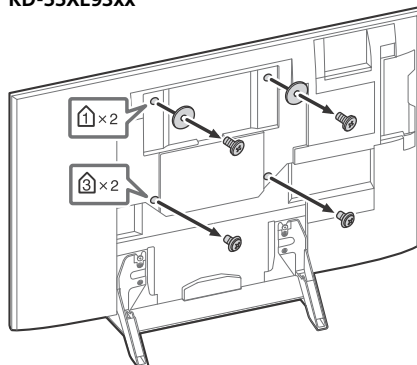


2 Odkręć śruby z tylnego panelu telewizora.

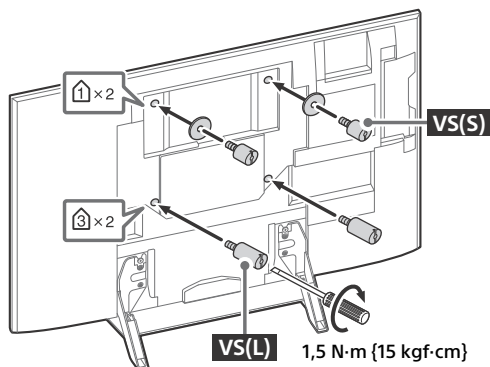
KD-75XE94xx



KD-55XE93xx

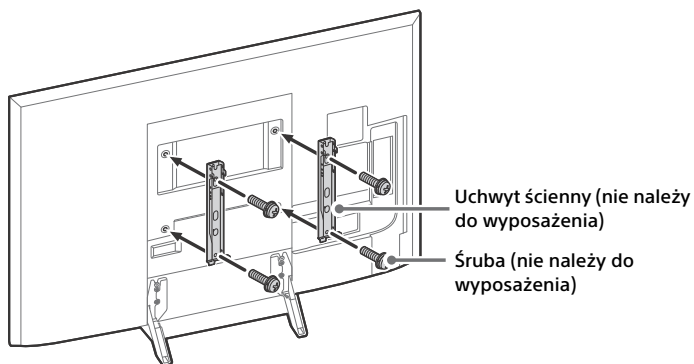


- 3** Przymocuj uchwyt ścienny (dostarczony z telewizorem) z tyłu telewizora (aby ustawić go równoległe do ściany). (Tylko KD-55XE93xx)

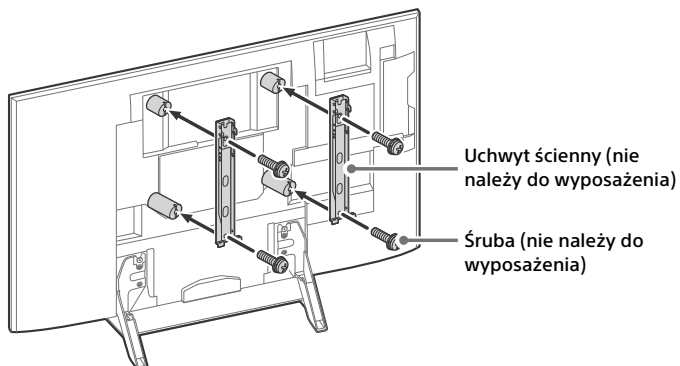


- 4** Przymocuj uchwyt ścienny (nie należy do wyposażenia) za pomocą śrub (nie należy do wyposażenia).

KD-75XE94xx

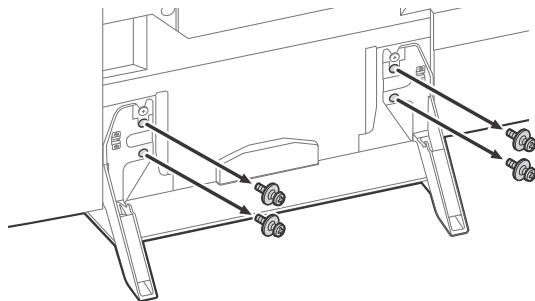


KD-55XE93xx



PL

5 Odłącz podstawę od telewizora.



Uwaga

- W przypadku stosowania wkrętarki ustaw moment wkręcania na ok. 1,5 N·m (15 kgf·cm).
- Upewnij się, że uchwyt ścienny został solidnie przymocowany do telewizora. Użycie innych narzędzi może spowodować przykręcenie uchwyty ściennego ze zbyt dużym momentem wkręcania, powodując uszkodzenie telewizora.
- W przypadku zastosowania uchwyty ściennego (nie należy do wyposażenia) nie można korzystać z niektórych uchwytów na kable z tyłu telewizora.

Rozwiązywanie problemów

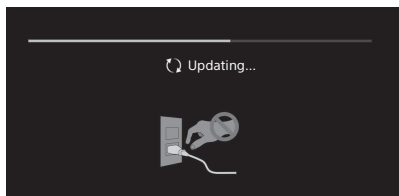
W celu rozwiązania ogólnych problemów, takich jak: czarny ekran, brak dźwięku, zawieszony obraz, brak reakcji telewizora lub utrata sygnału sieciowego, wykonaj następujące czynności.

- 1 Uruchom telewizor ponownie, naciskając przycisk zasilania na pilocie, aż zostanie wyświetlony komunikat. Telewizor zostanie uruchomiony. Jeśli telewizor nie zostanie uruchomiony ponownie, spróbuj odłączyć telewizor od przewodu sieciowego na dwie minuty, a następnie ponownie go podłączyć.
- 2 Zapoznaj się z menu Pomoc, naciskając przycisk **HELP** na pilocie.
- 3 Podłącz telewizor do Internetu i wykonaj aktualizację oprogramowania.
- 4 Odwiedź stronę wsparcia firmy Sony (informacje zapewnione na pokrywie tylnej).

W przypadku wyświetlenia komunikatu [Dostępna jest nowa aktualizacja oprogramowania TV...].

Firma Sony zdecydowanie zaleca aktualizację oprogramowania telewizora, wybierając opcję [Aktualizuj teraz]. Te aktualizacje oprogramowania ulepszają wydajność telewizora lub umożliwiają dodanie nowych funkcji.

Zostanie wyświetlony poniższy ekran z komunikatem [Updating...] (Aktualizowanie...) i dioda LED podświetlenia będzie migać na biało podczas aktualizacji oprogramowania.



Odłączenie od zasilania przed ukończeniem aktualizacji może spowodować uszkodzenie oprogramowania. Aktualizacja może potrwać do 15 minut.

Gdy telewizor zostanie podłączony, przez pewien czas może się nie włączyć pomimo naciśnięcia przycisku zasilania na pilocie lub telewizorze.

Uruchomienie systemu wymaga trochę czasu. Należy odczekać jedną minutę, następnie spróbować włączyć telewizor ponownie.

Problemy i rozwiązania

Jeśli dioda LED podświetlenia miga na czerwono.

- Policz ile razy dioda zamiga (czas odstępu wynosi trzy sekundy).
Uruchom telewizor ponownie, odłączając przewód zasilania telewizora na dwie minuty, a następnie ponownie włączyć telewizor. Jeśli problem nie zniknie, odłącz przewód sieciowy i skontaktuj się z lokalnym sprzedawcą lub punktem serwisowym firmy Sony, aby zgłosić, ile razy migająca dioda LED podświetlenia.

Brak możliwości odbioru usługi naziemnej/kablowej.

- Sprawdź podłączenie anteny/kabla i ustawienia wzmacniacza.
- Wybierz usługę naziemną/kablową, naciskając przycisk **DIGITAL/ANALOG** na pilocie. Jeśli nie została wyświetlona usługa nadawania, naciśnij **TV**, a następnie naciśnij **DIGITAL/ANALOG**.
- Sygnał naziemny może być przytłumiony, jeśli w pobliżu odbierany jest inny silny sygnał. Ustaw opcję [LNA(Kan. ---)] na [Wył.] w sekcji ustawień strojenia cyfrowego.
- W przypadku przeniesienia do nowego domu lub próby odbioru nowych usług wyszukaj usługę wybierając opcję [Programowanie cyfrowe].

Brak możliwości odbioru usługi satelitarnej.

- Sprawdź podłączenie kabla anteny satelitarnej.
- W przypadku wyświetlenia komunikatu [Brak sygnału. Wykryto przeciężenie LNB...] odłącz przewód sieciowy. Następnie sprawdź, czy kabel anteny satelitarnej nie jest uszkodzony, oraz czy nie nastąpiło zwarcie przewodu sygnału satelitarnego w złączu satelitarnym.

Pilot nie działa.

- Wymień baterie.

Zapomniano hasła do blokady rodzicielskiej transmisji.

- Wprowadź numer 9999 jako kod PIN i wybierz opcję [Zmień kod PIN].

Otoczenie telewizora może się nagrzać.

- Jeśli telewizor jest używany przez dłuższy czas, jego otoczenie może się nagrzać. Należy uważać na dotykanie tych miejsc ręką, gdyż mogą być gorące.

Dane techniczne

System

System panelu

Panel z wyświetlaczem ciekłokrystalicznym (LCD),
Podświetlenie LED

System TV

W zależności od kraju / wybranego regionu /
modelu telewizora

Analogowy: B/G, D/K, I

Cyfrowy: DVB-T/DVB-C

DVB-T2*

Satelita*: DVB-S/DVB-S2

System kolorów

PAL, SECAM, NTSC3.58 (tylko video), NTSC4.43
(tylko video)

Zakres kanałów

W zależności od kraju / wybranego regionu /
modelu telewizora

Analogowy: UHF/VHF/kablowe

Cyfrowy: UHF/VHF/kablowe

Satelita*: częstotliwość 950-2150 MHz

Wyjście dźwięku

KD-75XE94xx, KD-65XE93xx: 10 W + 10 W + 10 W +
10 W + 10 W + 10 W

KD-55XE93xx: 5 W + 5 W + 10 W + 10 W + 10 W +
10 W

Technologia bezprzewodowa

Protokół IEEE802.11ac/a/b/g/n

(Protokół IEEE802.11ac może nie być dostępny w
niektórych krajach/regionach).

Bluetooth ver. 4.1

Pasma częstotliwości: WLAN 2,4 GHz/5 GHz,

Bluetooth 2,4 GHz

Moc nadajnika częstotliwości radiowej:

maks. 100 mW

Wersja oprogramowania telewizora:

PKG_..._...EUA

Naciśnij przycisk **HELP** na pilocie, aby sprawdzić
wersję oprogramowania.

* Nie wszystkie modele telewizorów są wyposażone w
technologię DVB-T2 lub DVB-S/S2, lub też terminal
anteny satelitarnej.

Gniazda wejściowe/Wyjściowe

Antena/kabel

75-omowa antena zewnętrzna VHF/UHF

Antena satelitarna

Żeńskie złącze typu F, 75 omowa.

DiSEqC 1.0, LNB 13 V/18 V i sygnał 22 kHz, Dystr. za
pomocą poj. kabla EN50494.

AV IN 1

Wejście wideo/audio (mini jack)

COMPONENT IN

YPbPr (video komponentowe): 1080p (50, 60 Hz), 1080i (50, 60 Hz), 720p (50, 60 Hz), 576p, 576i, 480p, 480i

Wejście audio (gniazda foniczne)

AV IN 2

Wejście wideo (wspólny bolec foniczny z wejściem Y)

HDMI IN 1, 2, 3, 4 (obsługuje rozdzielczość 4K, Zgodność z HDCP 2.2)

Wideo:

4096 × 2160p (50, 60 Hz)^{*1*2}, 4096 × 2160p

(24 Hz)^{*1}, 3840 × 2160p (50, 60 Hz)^{*2},

3840 × 2160p (24, 25, 30 Hz), 1080p (30, 50, 60 Hz), 1080/24p, 1080i (50, 60 Hz), 720p (30, 50, 60 Hz), 720/24p, 576p, 576i, 480p, 480i, Formaty komputerowe

*1 Rozdzielczość 3840 × 2160p jest wyświetlana w przypadku wejścia sygnału 4096 × 2160p.

*2 Tylko HDMI IN 2 / 3.

Dźwięk: 5,1 kanałów, liniowe PCM: 32, 44,1, 48, 88,2, 96, 176,4 i 192 kHz, 16, 20 i 24 bity, Dolby Digital, Dolby Digital Plus i DTS

ARC (Audio Return Channel) (tylko HDMI IN 3)

(dwukanałowe liniowe PCM: 48 kHz, 16 bity, Dolby Digital, Dolby Digital Plus, DTS)


DIGITAL AUDIO OUT (OPTICAL)

Cyfrowe gniazdo optyczne (dwukanałowe liniowe PCM: 48 kHz, 16 bity, Dolby Digital, DTS)

AUDIO OUT  (mini jack stereo)

Sluchawki, wyjście audio, subwoofer

1, 2, SS 3 (HDD REC)^{*1}

Port urządzeń USB ( 3 - port USB HDD do obsługi funkcji nagrywania)

Porty USB 1 i 2 obsługują standard High Speed USB (USB2.0).

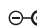
Port USB 3 obsługuje standard Super Speed USB (USB3.0).



Gniazdo CAM (Modułu Warunkowego Dostępu)

LAN

Gniazdo 10BASE-T/100BASE-TX (Prędkość połączenia zależy od parametrów sieci. Nie gwarantuje się prędkości i jakości transmisji przez gniazdo 10BASE-T/100BASE-TX tego odbiornika TV.)

 DC IN 24 V (wyłącznie modele z zasilaczem w zestawie)

Wejście zasilacza sieciowego

IR BLASTER^{*1}

Wejście kabla IR Blaster (minijack)

Inne

Wyposażenie dodatkowe

Uchwyt ścienny: SU-WL845 (Tylko KD-75XE94xx, KD-65XE93xx)

Uchwyt ścienny: SU-WL840 (Tylko KD-55XE93xx)

Uchwyt ścienny: SU-WL450 (Tylko KD-65/55XE93xx)

Temperatura robocza

0 °C – 40 °C

Wilgotność robocza

10 % – 80 % wilgotności względnej (bez kondensacji)

Moc, karta produktu i inne

Wymagania dotyczące zasilania z wyjątkiem modeli wyposażonych w zasilacz sieciowy

220 V – 240 V (prąd zmienny), 50 Hz

wyłącznie modele wyposażone w zasilacz sieciowy

24 V DC z zasilaczem sieciowym

Parametry: Wejście 220 V - 240 V (prąd zmienny), 50 Hz

Klasa efektywności energetycznej

KD-75XE94xx: B

KD-65XE93xx: A

KD-55XE93xx: B

Wielkość ekranu (mierzona po przekątnej) (Ok.)

KD-75XE94xx: 189,3 cm / 75 cali

KD-65XE93xx: 163,9 cm / 65 cali

KD-55XE93xx: 138,8 cm / 55 cali

Pobór mocy

w trybie [Standardowy]

KD-75XE94xx: 298 W

KD-65XE93xx: 164 W

KD-55XE93xx: 137 W

w trybie [Żywy]

KD-75XE9405: 495 W

KD-65XE9305: 294 W

KD-55XE9305: 227 W

Przeciętne roczne zużycie energii^{*2}

KD-75XE94xx: 413 kWh

KD-65XE93xx: 227 kWh

KD-55XE93xx: 190 kWh


Pobór mocy w stanie czuwania^{*3*4}

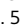
0,50 W (27 W w trybie aktualizacji oprogramowania lub elektronicznego przewodnika po programach)

Rozdzielczość ekranu

3 840 punktów (w poziomie) × 2 160 linii (w pionie)

Wartości znamionowe wyjścia

USB 1/2: maks. 5 V, , 500 mA

USB 3: maks. 5 V, , 900 mA

Wymiary (Ok.) (szer. × wys. × gł.)

z podstawą

KD-75XE94xx: 167,3 × 103,7 × 32,5 cm

KD-65XE93xx: 145,1 × 91,3 × 29,5 cm

KD-55XE93xx: 123,2 × 79,0 × 28,2 cm

bez podstawy

KD-75XE94xx: 167,3 × 96,2 × 6,2 cm

KD-65XE93xx: 145,1 × 83,8 × 3,9 cm

KD-55XE93xx: 123,2 × 71,5 × 4,0 cm

Waga (Ok.)

z podstawą

KD-75XE94xx: 47,6 kg

KD-65XE93xx: 42,4 kg

KD-55XE93xx: 32,6 kg

bez podstawy

KD-75XE94xx: 42,8 kg

KD-65XE93xx: 38,2 kg

KD-55XE93xx: 28,6 kg

*1 Wyłącznie w przypadku niektórych regionów/ krajów/modeli telewizora.

*2 Zużycie energii rocznie, w oparciu o wyliczenie zużycia energii dla telewizora pracującego 4 godziny dziennie przez 365 dni w roku. Rzeczywiste zużycie energii zależy od sposobu korzystania z telewizora.

*3 Podany pobór mocy w trybie czuwania jest osiągnięty po zakończeniu wykonywania przez odbiornik TV wymaganych procesów wewnętrznych.

*4 Pobór mocy w trybie czuwania wzrośnie przy połączeniu telewizora z siecią.

Uwaga


- Nie zdejmuj pokrywy z gniazda CAM (Modułu Warunkowego Dostępu) telewizora w innym celu niż włożenie do gniazda CAM karty inteligentnej.
- Dostępność akcesoriów opcjonalnych zależy od kraju, regionu, modelu telewizora i stanu magazynowego.
- Projekt i dane techniczne mogą zostać zmienione bez powiadomienia.

Informacje dotyczące funkcji Telewizji Cyfrowej

- Telewizja cyfrowa (naziemna DVB, satelitarna i kablowa), usługi interaktywne i funkcje sieciowe mogą nie być dostępne we wszystkich krajach lub obszarach. Niektóre funkcje mogą nie być włączone lub mogą nie działać poprawnie w przypadku niektórych dostawców i środowisk sieciowych. Niektórzy dostawcy usług telewizyjnych mogą pobierać opłaty za swoje usługi.
- Ten telewizor obsługuje nadawanie cyfrowe z użyciem kodeków MPEG-2, H.264/MPEG-4 AVC i H.265/HEVC, ale nie można zagwarantować zgodności ze wszystkimi sygnałami operatorów/usług, które mogą się zmienić z biegiem czasu.

Informacje dot. znaków towarowych

- HDMI, logo HDMI i nazwa HDMI High-Definition Multimedia Interface to znaki towarowe lub zarejestrowane znaki towarowe HDMI Licensing LLC na terenie Stanów Zjednoczonych i innych krajów.
- Wyprodukowano na licencji firmy Dolby Laboratories. Dolby, Dolby Audio i symbol podwójnej litery D są znakami towarowymi firmy Dolby Laboratories.
- „BRAVIA” i BRAVIA są znakami towarowymi Sony Corporation.
- Gracenote, Gracenote eyeQ, Gracenote VideoID, Gracenote Video Explore, logo i logotyp Gracenote oraz logo „Powered by Gracenote” są znakami towarowymi lub zarejestrowanymi znakami towarowymi Gracenote w USA oraz innych krajach.
- Opera® Devices SDK. Copyright 1995-2016 Opera TV AS. All rights reserved.
- Wi-Fi, Wi-Fi Direct, Miracast, Wi-Fi Protected Setup oraz logo Wi-Fi CERTIFIED są znakami towarowymi lub zarejestrowanymi znakami towarowymi firmy Wi-Fi Alliance.
- W kwestii informacji na temat patentów DTS należy skorzystać z witryny <http://patents.dts.com>. Produkowane na licencji DTS, Inc. DTS, symbol oraz DTS i symbol łącznie są zarejestrowanymi znakami towarowymi, a DTS Digital Surround jest znakiem towarowym DTS, Inc. © DTS, Inc. Wszelkie prawa zastrzeżone.
- Słowo i logo Bluetooth® są zarejestrowanymi znakami towarowymi Bluetooth SIG, Inc. i wszelkie użycie tych znaków przez Sony Corporation odbywa się na mocy licencji. Pozostałe znaki i nazwy towarowe należą do odpowiednich właścicieli.
- DiSEqC™ jest znakiem towarowym firmy EUTELSAT. Ten telewizor obsługuje standard DiSEqC 1.0. Ten telewizor nie służy do sterowania antenami z napędem.
- TUXERA jest zastrzeżonym znakiem towarowym firmy Tuxera Inc. w USA i innych krajach.

- Logo USB-IF SuperSpeed USB Trident stanowi zastrzeżony znak towarowy USB Implementers Forum, Inc. 

Obsah

DŮLEŽITÁ POZNÁMKA	2
Bezpečnostní informace	3
Upozornění	6
Součásti a ovládací prvky	8
Ovládací prvky a kontrolky	8
Používání dálkového ovládání	9
Popis součástí dálkového ovládání	9
Schéma zapojení	11
Montáž televizoru na zeď	13
Používání volitelného nástěnného držáku	13
SU-WL845 (KD-75XE94xx, KD-65XE93xx), SU-WL840 (KD-55XE93xx)	14
SU-WL450 (Pouze modely KD-65/55XE93xx)	14
Pouze modely KD-75XE94xx, KD-55XE93xx	16
Řešení problémů	19
Problémy a řešení	19
Specifikace	20

Připojení k internetu a ochrana osobních údajů

Toto zařízení se připojuje k internetu během prvotního nastavení, jakmile je připojeno k síti a je ověřeno internetové připojení. A také později při konfiguraci domovské obrazovky. Vaše IP adresa se použije k tomuto připojení a ke všem dalším připojením k internetu. Pokud nechcete vůbec použít svou IP adresu, potom nenastavujte funkci bezdrátového připojení a ani nepřipojujte síťový kabel. Bližší podrobnosti o internetovém připojení si můžete přečíst v poznámkách ohledně ochrany osobních údajů na obrazovkách nastavení.

Úvod

Děkujeme vám, že jste si vybrali tento výrobek Sony. Před zapnutím televizoru si prosím pozorně přečtete tento návod a uschovejte jej pro budoucí potřebu.

Poznámka

- Před zapnutím televizoru si přečtete „Bezpečnostní informace“ (strana 3).
- Obrázky a ilustrace v Průvodci nastavením a v tomto návodu slouží jen pro vaši referenci a mohou se lišit od skutečného vzhledu produktu.
- Symbol „xx“, který se objevuje v názvu modelu, odpovídá číslu popisující design, barvu nebo systém TV.

Umístění Průvodce nastavením

Průvodce nastavením se nachází na horní straně měkké podložky uvnitř krabice od televizoru.

Nápověda/Uživatelská příručka

Funkce nápovědy nabízí řadu informací o televizoru. Chcete-li použít funkci nápovědy, stiskněte tlačítko **HELP** na dálkovém ovladači. Pokyny pro odstraňování problémů můžete najít v seznamu nebo hledáním klíčového slova. Chcete-li zobrazit návod, vyberte v nápovědě možnost [Uživatelská příručka]. Jakmile připojíte TV k internetu, budou funkce nápovědy a informace aktualizovány.

Umístění identifikačního štítku

Štítky s číslem modelu, datem výroby (rokem/měsícem) a specifikací zdroje napájení se nacházejí na zadní části televizoru nebo na obalu. Nachází se pod krytem stojanu a středovým krytem.

Pro modely s dodaným síťovým adaptérem:
Štítky s číslem modelu a sériovým číslem síťového adaptéru se nacházejí na spodní straně síťového adaptéru.

VAROVÁNÍ

Z DŮVODU ZAMEZENÍ
RIZIKA POŽÁRU



UCHOVÁVEJTE TENTO
PRODUKT VŽDY Z DOSAHU
SVÍČEK NEBO JINÝCH ZDROJŮ
OTEVŘENÉHO OHNĚ.

DŮLEŽITÁ POZNÁMKA

Tento výrobek byl vyroben buď přímo nebo v zastoupení společností Sony Corporation, 1-7-1 Konan Minato-ku Tokyo, 108-0075 Japonsko. Žádosti týkající se technických požadavků na výrobky danými směrnici Evropské unie je třeba adresovat na zplnomocněného zástupce, kterým je Sony Belgium, bijkantoor van Sony Europe Limited, Da Vinciiaan 7-D1, 1935 Zaventem, Belgie. Pro záležitosti servisu a záručních podmínek se obraťte na adresy uvedené v servisních a záručních dokumentech.

Prohlášení k rádiovým zařízením



Sony Corporation tímto prohlašuje, že rádiová zařízení typu KD-75XE9405, KD-65XE9305, KD-55XE9305 jsou ve shodě se základními požadavky a dalšími příslušnými ustanoveními směrnice 1999/5/ES. Podrobnosti získáte na následující internetové adrese: <http://www.compliance.sony.de/>
Toto rádiové zařízení lze používat v EU, aniž by porušovalo platné požadavky na využití rádiového spektra.

Upozornění pro zákazníky: následující informace se vztahují pouze na přístroje prodávané v zemích podléhajících směrnicím EU.

Bezdrátový televizní systém může být provozován v následujících zemích:

AT, BE, HR, CY, CZ, DK, EE, FI, FR, DE, EL, HU, IE, IT, LV, LT, LU, MT, NL, PL, PT, SK, SI, ES, SE, UK, IS, LI, NO, CH, BG, RO, TR, AL, BA, MK, MD, RS, ME, Kosovo

Toto vybavení může být použito v ostatních neevropských zemích.

Bezpečnostní informace

UPOZORNĚNÍ

Baterie nesmí být vystaveny přílišnému horku, například slunečnímu světlu, ohni a podobně.

Televizor nikdy neumísťujte na nestabilní místo. Televizor by mohl spadnout a způsobit vážné poranění či zabití osob. Mnoha zraněním, zejména dětí, lze předejít dodržáním jednoduchých opatření, např.:

- Používejte pouze skříňky a podstavce doporučené výrobcem televizoru.
- Používejte pouze nábytek, který zajistí bezpečnou oporu televizoru.
- Zajistěte, aby televizor nepřesahoval přes okraj nosného nábytku.
- Neumísťujte televizor na vysoký nábytek (například skříňe nebo knihovny) bez ukotvení nábytku a televizoru k vhodné opoře.
- Neumísťujte televizor na textilie nebo jiné materiály, které mohou být umístěny mezi televizorem a nábytkem.
- Vysvětlete dětem nebezpečí lezení na nábytek za účelem dosáhnutí na televizor nebo jeho ovládní.

Pokud si stávající televizor ponecháváte a přemísťujete jej, použijte stejná pravidla, jako jsou uvedena výše.

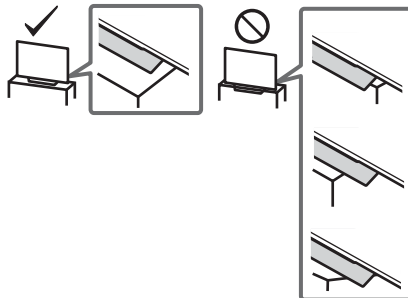
Instalace/Nastavení

Televizor instalujte a používejte podle následujících pokynů, zabráníte tak nebezpečí požáru, úrazu elektrickým proudem nebo poškození anebo zranění.

Instalace

- Televizor musí být instalován v blízkosti snadno přístupné zásuvky.
- Položte TV na stabilní, vodorovný povrch, aby přístroj nespadal a nedošlo k poranění osob nebo poškození majetku.
- Televizor nainstalujte na místo, kde za něj nebude možné zatáhnout, zatlačit na něj nebo ho shodit.

- Televizor nainstalujte tak, aby stolní stojan televizoru nepřecházel z podstavce televizoru (není součástí dodávky). Pokud by stolní stojan přecházel z podstavce televizoru, mohl by se televizor překloupat, spadnout a mohlo by tak dojít ke zranění osob nebo k poškození televizoru.



- Montáž TV na stěnu smí provádět pouze kvalifikovaný servisní personál.
- Z bezpečnostních důvodů důrazně doporučujeme používání příslušenství Sony včetně:

- Nástěnný držák SU-WL845 (Pouze modely KD-75XE94xx, KD-65XE93xx)
- Nástěnný držák SU-WL840 (Pouze modely KD-55XE93xx)
- Nástěnný držák SU-WL450 (Pouze modely KD-65/55XE93xx)

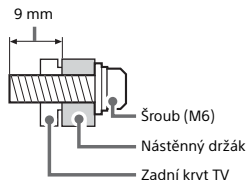
- Když k TV připevňujete nástěnný držák, použijte šrouby dodané s nástěnným držákem. Dodané šrouby jsou navrženy k použití, jak je vyznačeno na obrázku, měřeno od montážního povrchu nástěnného držáku.

Průměr a délka šroubů se liší podle modelu nástěnného montážního rámu.

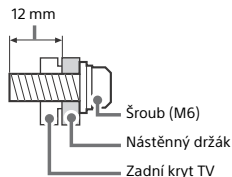
Použití jiných šroubů může mít za následek vnitřní poškození televizoru nebo způsobit jeho pád apod.

- Volitelný nástěnný držák (Pouze modely SU-WL845, SU-WL840)

Horní strana



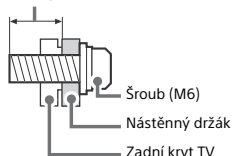
Dolní strana



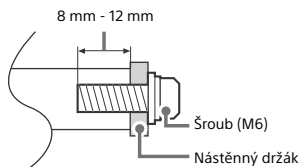
- Volitelný nástěnný držák (Kromě modelů SU-WL845, SU-WL840)

KD-75XE94xx

9 mm - 13 mm

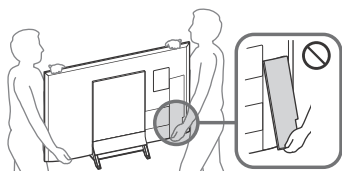
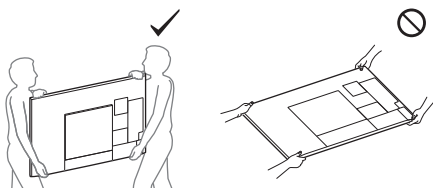


KD-65/55XE93xx

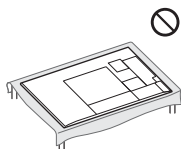


Přeprava

- Před přemístěním televizoru odpojte všechny kabely.
- K přenosu velkého televizoru jsou nutné dvě nebo tři osoby.
- Když přenášíte TV v rukou, držte jej, jak je znázorněno níže. Netlačte na LCD panel a rám okolo obrazovky.

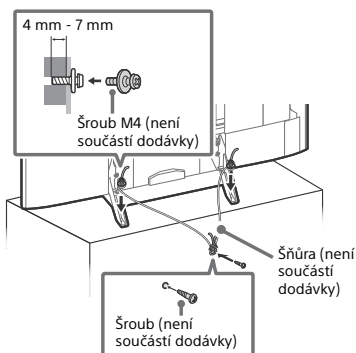
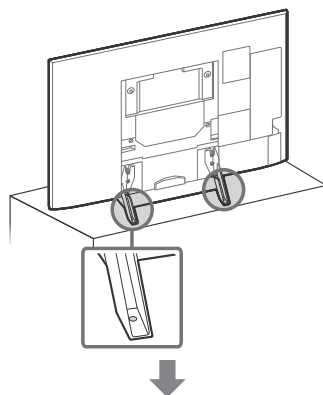


- Při manipulaci s televizorem nebo jeho instalací nepokládejte přístroj na zem.



- Při přenášení televizoru dbejte na to, aby do něčeho nenarazil, nebo nadměrně nevíbroval.
- Jestliže vezete televizor do opravy, nebo ho stěhujete, vždy ho zabalte do originální krabice a obalového materiálu.

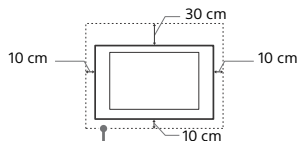
Ochrana před převrácením



Větrání

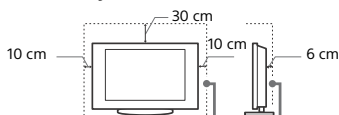
- Nikdy nezakrývejte větrací otvory, ani nic nezasunujte do skříně televizoru.
- Okolo televizoru ponechte volný prostor jako na níže uvedeném obrázku.
- Důrazně doporučujeme použití nástěnného montážního rámu Sony, který zajišťuje dostatečnou cirkulaci vzduchu.

Instalace na stěně



Okolo televizoru ponechte nejméně takto veliký volný prostor.

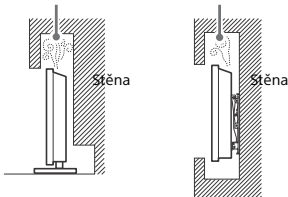
Instalace se stojanem



Okolo televizoru ponechte nejméně takto veliký volný prostor.

- K zajištění správného větrání a zabránění usazování nečistot a prachu:
 - Nepokládejte televizor na plochu, neinstalujte ho obráceně, zadní částí dopředu nebo z boku.
 - Neumísťujte televizor na polici, kobereček, postel nebo do skříně.
 - Nezakrývejte televizor látkami jako záclonami, ani různými předměty, např. novinami.
 - Neinstalujte televizor tak, jak je uvedeno na obrázku.

Cirkulace vzduchu je zablokována.



Sítový kabel

Se sítovým kabelem a zástrčkou zacházejte podle následujících pokynů, aby nedošlo k požáru, úrazu elektrickým proudem, poškození anebo zranění.

- Používejte pouze síťové kabely Sony, nikoli kabely jiných dodavatelů.
- Zasuňte zástrčku úplně do síťové zásuvky.
- Televizor používejte pouze v elektrické síti 220 V - 240 V stř.
- Při pokládání kabelů nezapomeňte vytáhnout z bezpečnostních důvodů síťový kabel ze zásuvky a zkontrolujte, zda jste o kabely nezachytili nohama.
- Před prací na televizoru nebo před jeho stěhování vytáhněte síťový kabel ze zásuvky.
- Síťový kabel musí být instalovaný v dostatečné vzdálenosti od tepelných zdrojů.
- Síťový kabel pravidelně vytáhněte ze zásuvky a vyčistěte ho. Pokud je zástrčka zaprášená a hromadí se na ní vlhkost, může se zhoršit její izolace a způsobit požár.

Poznámka

- Dodávaný síťový kabel nepoužívejte pro žádné jiné zařízení.
- Síťový kabel nesmí být nadměrně stlačen, ohnutý nebo zkroutčen. Mohlo by dojít k poškození izolace nebo vodičů.
- Síťový kabel žádným způsobem neupravujte.
- Na síťový kabel nestavte nic těžkého.
- Při odpojování síťového kabelu ze zásuvky netahejte za síťový kabel.
- K jedné přírodní zásuvce nepřipojte příliš mnoho spotřebičů.
- Nepoužívejte uvolněné elektrické zásuvky.

POZNÁMKA K SÍŤOVÉMU ADAPTÉRU (pouze modely s dodaným síťovým adaptérem)

Upozornění

- Abyste omezili nebezpečí požáru nebo úrazu elektrickým proudem, nevystavujte tento přístroj dešti ani vlhkosti. Abyste zabránili požáru nebo úrazu elektrickým proudem, nestavte na zařízení nádoby naplněné tekutinami, například do výhy. Zařízení neumísťujte do uzavřených prostor, například do knihoven a podobně.
- Síťová zásuvka se musí nacházet nedaleko přístroje a musí být snadno přístupná.
- Použijte dodaný napájecí adaptér a napájecí kabel.
- Nepoužívejte jiné napájecí adaptéry. Mohlo by dojít k poruše.
- Zapojte napájecí adaptér do snadno přístupné síťové zásuvky.
- Neobtáčejte napájecí kabel kolem napájecího adaptéru. Mohlo by dojít k přerušení vnitřního vodiče a/nebo k poruše přijímače.



- Nedotýkejte se napájecího adaptéru mokřkýma rukama.
- Pokud u napájecího adaptéru zaznamenáte neobvyklé jevy, ihned jej odpojte od síťové zásuvky.
- Přístroj není odpojen od zdroje elektrické energie, dokud je připojen k síťové zásuvce, a to ani pokud byl přístroj samotný vypnut.

- Protože se napájecí adaptér při dlouhodobém používání zahřívá, může být na dotek teplý.

Zakázané použití

Neinstalujte, ani nepoužívejte televizor v dále uvedených místech, prostředích, nebo situacích, protože televizor by mohl špatně fungovat, nebo by mohl způsobit požár, úraz elektrickým proudem nebo poškození majetku anebo zranění.

Umístění:

- Venkovní prostor (na přímém slunečním svitu), na mořském břehu, lodi nebo jiném plavidle, v autě, v lékařských zařízeních, nestabilní umístění, v blízkosti vody, na dešti, ve vlhku nebo kouři.

Prostředí:

- Horká, vlhká nebo nadměrně prašná místa; místa, na která se může dostat hmyz; tam, kde by mohl být televizor vystaven mechanickým vibracím, v blízkosti hořlavých předmětů (svíček apod.). Na televizor nesmí nic kapat nebo stíkat, ani na něm nesmí stát předměty naplněné tekutinami, jako např. vázy.

Situace:

- Nepoužívejte, máte-li vlhké ruce, je-li odstraněna skříň televizoru nebo s příslušenstvím, které výrobce nedoporučil. Během bouřky s blesky odpojte TV od síťové zásuvky a antény.
- Instalovat televizor tak, aby vyčníval do volného prostoru. Mohlo by dojít ke zranění nebo k poškození televizoru, kdyby do něj narazil člověk nebo nějaký předmět.



- Umísťovat televizor do vlhkých nebo prašných prostor nebo do místnosti s mastným kouřem nebo párou (blízko kuchyňských desek nebo zvlhčovačů vzduchu). Mohlo by dojít k požáru, úrazu elektrickým proudem nebo k deformaci.
- Instalovat televizor v místech vystavených extrémním teplotám, například na přímém slunečním světle, v blízkosti radiátoru nebo větráku topení. Televizor by se v takovém prostředí mohl přehřát, což by mohlo vést k deformaci a/nebo poruše televizoru.



- Je-li televizor umístěn v převlékárně veřejných lázní nebo u horkých pramenů, může dojít k poškození televizoru působením síry ve vzduchu apod.



- Pro co nejlepší kvalitu obrazu nevystavujte obrazovku přímému světlu nebo slunečnímu světu.
- Nepřemísťujte televizor z chladného místa do tepla. Náhlé změny pokojové teploty by mohly způsobit kondenzaci vlhkosti. Televizor by potom mohl ukazovat nekvalitní obraz a/nebo nekvalitní barvy. Pokud by k tomu došlo, nechte vlhkost zcela odpařit, než televizor spustíte.

Poškození díly:

- Na televizor nic neházejte. Sklo na obrazovce se může poškodit a způsobit vážný úraz.
- Jestliže povrch televizoru praskne, nedotýkejte se ho a nejdříve vytáhněte kabel ze zásuvky. Jinak by mohlo dojít k úrazu elektrickým proudem.

Když televizor nepoužíváte

- Jestliže televizor nebudete několik dní používat, odpojte ho z bezpečnostních důvodů a kvůli ochraně životního prostředí od sítě.
- Pokud televizor jen vypnete, není odpojen od napájecí sítě; k úplnému odpojení od sítě vytáhněte proto zástrčku ze zásuvky.
- Některé TV jsou vybaveny funkcemi, které ke správnému fungování vyžadují ponechání TV v pohotovostním stavu.

Pro děti

- Nedovolte dětem, aby na televizor lezly.
- Přislušenství malých rozměrů uschovejte mimo dosah dětí, aby ho nemohly omylem spolknout.

Pokud dojde k následujícímu problému...

Pokud dojde k následujícímu problému, **vypněte** televizor a okamžitě vytáhněte přívodní kabel ze zásuvky.

Požádejte svého prodejce nebo servisní středisko Sony o prohlídku televizoru kvalifikovaným servisním technikem.

Když:

- Přívodní kabel je poškozený.
- Síťová zásuvka je uvolněná.
- Televizor je poškozený pádem na zem, nárazem nebo tím, že na něj něco spadlo.
- Otvory skříňe propadl nějaký předmět, nebo se do něj vyliila nějaká tekutina.

O teplotě LCD TV

Když LCD TV používáte po delší časové období, může se okolí panelu zahřát. Když se ho dotknete rukou, může být na dotek horký.

Upozornění

Sledování televizoru

- Televizor sledujte za mírného osvětlení, protože sledování televizoru při slabém světle nebo po dlouhou dobu namáhá oči.
- Používáte-li sluchátka, nastavte hlasitost tak, aby zvuk nebyl příliš silný, protože byste si mohli poškodit sluch.

LCD obrazovka

- I když je LCD obrazovka vyrobena vysoce přesnou technologií a 99,99 % nebo více pixelů funguje správně, mohou se trvale objevovat černé nebo jasné světelné body (červené, modré nebo zelené). Je to způsobeno strukturálními vlastnostmi LCD obrazovky a nejedná se o závadu.
- Netlačte na přední filtr, ani po něm neškrábejte, a na horní plochu televizoru nepokládejte žádné předměty. Obraz by pak mohl být nerovnoměrný nebo by se LCD obrazovka mohla poškodit.
- Budete-li televizor používat na chladném místě, může se v obraze zobrazit skvrna, nebo obraz ztmavně. Nejde o poruchu televizoru. Tento jev po zvýšení okolní teploty zmizí.
- Při nepřetržitém zobrazení statických obrazů může dojít ke vzniku „duchů“. Po chvíli by se měl tento stav zlepšit.
- Během provozu televizoru se obrazovka i skříň přístroje zahřívají. Neznamená to ale funkční poruchu televizoru.
- LCD obrazovka obsahuje malé množství tekutých krystalů. Při její likvidaci se řiďte místními nařízeními a předpisy.

Zacházení s povrchem obrazovky/skříňky televizoru a jeho čištění

Před čištěním se ujistěte, že jste televizor odpojili vytažením kabelu ze zásuvky.

Abyste předešli zhoršení stavu materiálu nebo svrchní vrstvy obrazovky, dodržujte následující opatření.

- Prach z povrchu obrazovky/skříňky opatrně stírejte měkkým hadříkem. Nepodaří-li se prach takto odstranit, setřete jej jemným hadříkem mírně navlhčeným slabým roztokem rozředěného čisticího prostředku.
- Nikdy nestříkejte vodu ani mycí prostředky přímo na televizor. Mohla by stéct do spodní části obrazovky nebo vnějších částí, dostat se tak do televizoru a televizor tak poškodit.
- Nikdy nepoužívejte jakýkoli typ drsné houbičky, zásadité/kyselé čisticí prostředky, brusné prášky ani těkavá rozpouštědla jako alkohol, benzen nebo insekticidy. Při použití těchto materiálů nebo při delším kontaktu s pryžovými nebo vinylovými materiály může dojít k poškození povrchu obrazovky a materiálu skříňky.



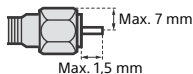
- Nedotýkejte se TV, pokud máte na rukou jakoukoliv chemickou látku, jako je například ruční krém nebo ochranný opalovací krém.
- K zajištění správného větrání doporučujeme pravidelné vysávání větracích otvorů.
- Je-li třeba seřídit úhel televizoru, pohybujte televizorem pomalu tak, aby nespadol nebo nesklouzl ze stojanu.

Volitelné zařízení

- Volitelná zařízení nebo jiná zařízení vysílající elektromagnetické záření neinstalujte příliš blízko televizoru. Jinak by mohlo dojít ke zkreslení obrazu anebo šumu.
- Tento produkt byl testován a shledán vhodným limitům stanoveným směrnici EMC při použití přípojovacích kabelů kratších než 3 metry.
- Tento produkt byl testován a shledán vhodným limitům stanoveným směrnici EMC při použití RF kabelů kratších než 30 metrů pro pozemní/satelitní/CATV terminál.

Doporučení pro zásuvku typu „F“

Přesah vnitřního drátu u přípojce musí být méně než 1,5 mm.



(Referenční ilustrace pro zásuvku typu F)

Bezdrátová funkce jednotky

- Nepoužívejte toto zařízení v blízkosti lékařských přístrojů (kardiostimulátorů apod.), jinak by lékařský přístroj nemusel fungovat správně.
- I když tato jednotka vysílá/přijímá zakódované signály, buďte opatrní na neautorizovaný příjem. Za výsledné problémy neneseme zodpovědnost.
- Toto zařízení musí být instalováno a používáno tak, aby mezi anténou tohoto zařízení a lidskými těly byla zachována vzdálenost alespoň 20 cm.

Upozornění na manipulaci s dálkovým ovladačem

- Při vkládání baterií dodržte správnou polaritu.
- Nepoužívejte různé typy baterií, ani nemíchejte současně staré a nové baterie.
- Baterie likvidujte způsobem, který chrání životní prostředí. V některých oblastech je nutné likvidovat baterie podle předpisů. Informujte se prosím u příslušných úřadů.
- S dálkovým ovladačem zacházejte opatrně. Nepouštějte ho na zem, nešlepte po něm, ani na něj nestříkejte žádnou tekutinu.
- Neukládejte dálkový ovladač na místo v blízkosti tepelných zdrojů, nebo na místo vystavené působení přímého slunečního svitu, nebo do vlhké místnosti.

Likvidace televizoru



Likvidace nepotřebného elektrického a elektronického zařízení (platné v Evropských unii a dalších evropských státech uplatňujících oddělený systém sběru)

Tento symbol umístěný na výrobku nebo jeho balení upozorňuje, že by s výrobkem po ukončení jeho životnosti nemělo být nakládáno jako s běžným odpadem z domácnosti. Je nutné ho odvézt do sběrného místa pro recyklaci elektrického a elektronického zařízení. Zajištěním správné likvidace tohoto výrobku pomůžete zabránit případným negativním dopadům na životní prostředí a lidské zdraví, které by jinak byly způsobeny nevhodnou likvidací výrobku. Recyklováním materiálu, z něž je vyroben, pomůžete ochránit přírodní zdroje. Podrobnější informace o recyklaci tohoto výrobku zjistíte u příslušného místního obecního úřadu, podniku pro likvidaci domovních odpadů nebo v obchodě, kde jste výrobek zakoupili.

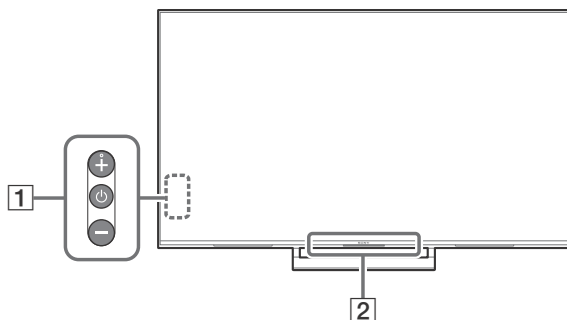


**Nakládání s nepotřebnými
bateriemi (platí v Evropské unii a
dalších evropských státech
využívajících systém odděleného
sběru)**

Tento symbol umístěný na baterii nebo na jejím obalu upozorňuje, že s baterií opatřenou tímto označením by se nemělo nakládat jako s běžným domácím odpadem. Symbol nacházející se na určitých typech baterií může být použit v kombinaci s chemickou značkou. Značky pro rtuť (Hg) nebo olovo (Pb) se použijí, pokud baterie obsahuje více než 0,0005 % rtuti nebo 0,004 % olova. Správným nakládáním s těmito nepotřebnými bateriemi pomůžete zabránit možným negativním dopadům na životní prostředí a lidské zdraví, k nimž by mohlo docházet v případech nevhodného zacházení s vyřazenými bateriemi. Materiálová recyklace pomůže chránit přírodní zdroje. V případě, že výrobek z důvodů bezpečnosti, funkce nebo uchování dat vyžaduje trvalé spojení s vloženou baterií, je třeba, aby takovou baterii vyjmul z přístroje pouze kvalifikovaný personál. K tomu, aby s baterií bylo správně naloženo, předejte výrobek, který je na konci své životnosti na místo, jenž je určené ke sběru elektrických a elektronických zařízení za účelem jejich recyklace. Pokud jde o ostatní baterie, prosím, nahlédněte do té části návodu k obsluze, která popisuje bezpečné vyjmutí baterie z výrobku. Nepotřebnou baterii odevzdejte k recyklaci na příslušné sběrné místo. Pro podrobnější informace o recyklaci tohoto výrobku či baterii kontaktujte, prosím, místní obecní úřad, podnik zabezpečující místní odpadové hospodářství nebo prodejnu, kde jste výrobek zakoupili.


Součásti a ovládací prvky

Ovládací prvky a kontrolky

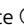



1 (Napájení) /+/-

Při vypnuté TV,

stisknutím  zapněte.

Při zapnuté TV,

Stiskněte a podržte  pro vypnutí.

Stiskněte tlačítko  opakovaně pro změnu funkce, poté stiskněte tlačítko + nebo – pro:

- Nastavení hlasitosti.
- Výběr kanálu.
- Výběr zdroje vstupu TV.

2 **Čidlo dálkového ovládání* / Světelné čidlo* / Osvětlení LED**

Osvětlení LED svítí nebo bliká podle stavu TV.

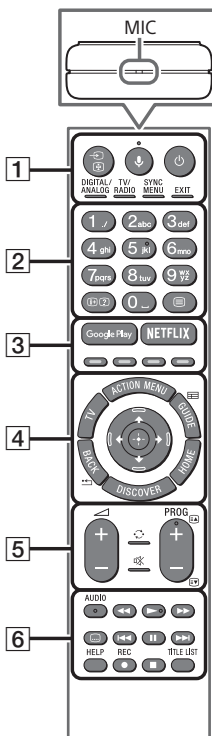
Více informací naleznete v dokumentu Uživatelská příručka.

* Do blízkosti čidla neumísťujte žádné předměty.

Používání dálkového ovládání

Popis součástí dálkového ovládání

Tvar, umístění, dostupnost a funkce tlačítek dálkového ovladače se může lišit v závislosti na zemi, oblasti nebo modelu televizoru.



1 **(Volba vstupu/přidržení textu)**

V režimu TV: Zobrazte a zvolte vstupní zdroj.
V textovém režimu: Přidržte aktuální stránku.

(Mikrofon)

Používání hlasové funkce. (např. vyhledávání různého obsahu pomocí hlasu.)

(Pohotovostní režim TV)

TV zapněte nebo vypněte (pohotovostní režim).

DIGITAL/ANALOG

Přepínáte mezi digitálním a analogovým režimem.

TV/RADIO

Přepínáte mezi vysíláním TV a RADIO.

SYNC MENU

Zobrazte nabídku BRAVIA Sync.

EXIT

Návrat na předchozí obrazovku nebo ukončení nabídky. Když je k dispozici služba interaktivní aplikace, stisknutím službu ukončíte.

2 Číselná tlačítka

/ (Informace/Odhalení textu)

Zobrazte informace.

(Text)

Zobrazte textové informace.

3 Google Play

Přístup k online službě „Google Play“.

NETFLIX (Pouze v některých regionech, zemích/TV modelech)

Otevřete online službu „NETFLIX“.

Barevná tlačítka

Vykonejte příslušnou funkci platnou v daný okamžik.

4 ACTION MENU

Zobrazí seznam kontextových funkcí.

TV

- Přepnutí na kanál TV nebo na vstup z jiných aplikací.
- Zapněte televizor pro zobrazení kanálu TV nebo vstupu.

GUIDE /

Zobrazte digitálního průvodce programy.

BACK /

Návrat na předchozí obrazovku.

HOME

Zobrazte výchozí nabídku TV.

DISCOVER

Vyvolejte obsahovou lištu pro vyhledávání obsahu.

(Výběr položky/Zadání)

5 +/- (Hlasitost)

Upravte hlasitost.

(Skok)



Přeskakujte mezi dvěma kanály nebo vstupy. TV střídavě přepíná mezi aktuálním kanálem nebo vstupem a posledním zvoleným kanálem nebo vstupem.

(Ztlumení)

Ztlumte zvuk. Dalším stisknutím bude zvuk obnoven.

PROG +/- / /

V režimu TV: Zvolte kanál.

V textovém režimu: Zvolte následující () nebo předchozí () stránku.

6 **AUDIO**

Změňte jazyk pro právě sledovaný program.



Ovládejte mediální obsah na TV a na připojeném zařízení kompatibilním s funkcí BRAVIA Sync.

(Nastavení titulků)

Zapněte nebo vypněte titulky (pokud je funkce k dispozici).

HELP

Zobrazte nabídku nápovědy. Přístup k Uživatelské příručce.

REC

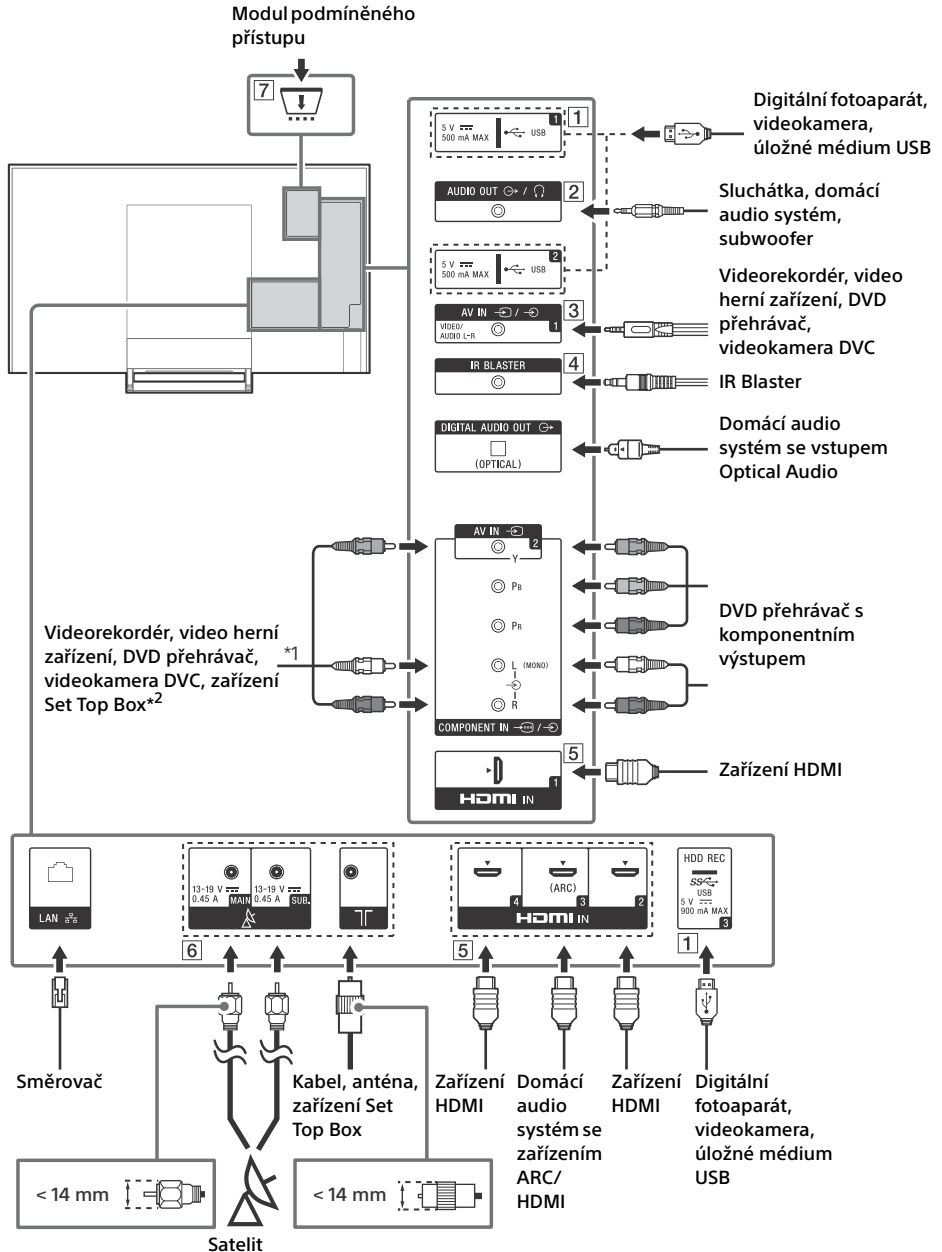
Nahrajte aktuální program pomocí funkce nahrávání na USB HDD.

TITLE LIST

Zobrazte název titulů.

Schéma zapojení

Více informací o připojeních naleznete v dokumentu Uživatelská příručka po stisknutí tlačítka **HELP** na dálkovém ovládacím.



CZ

1 **USB 1/2, USB 3 (HDD REC)*³**

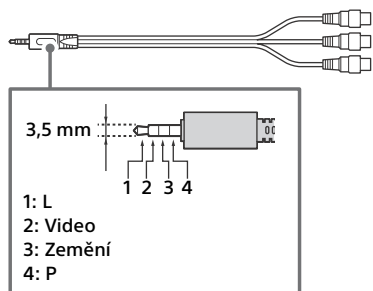
- Při připojení velkého zařízení USB může toto zařízení překážet ostatním připojeným zařízením vedle něj.
- Při připojování velkého zařízení USB toto zařízení připojte ke konektoru USB 1.

2 **AUDIO OUT**

- Podporuje pouze 3pólový stereo mini jack konektor.
- Chcete-li poslouchat zvuk TV prostřednictvím připojeného příslušenství, stiskněte tlačítko **HOME**. Zvolte [Nastavení] → [Zvuk] → [Výstup pro sluchátka/Audio výstup], potom zvolte požadovanou položku.

3 **AV IN 1**

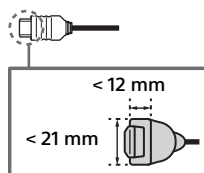
- Pro kompozitní připojení použijte analogový prodlužovací kabel (není součástí dodávky).



4 **IR BLASTER*³**

5 **HDMI IN 1/2/3/4**

- Pokud připojujete digitální audio systém, který je kompatibilní s technologií Audio Return Channel (ARC), použijte HDMI IN 3. Jinak je zapotřebí použít další připojení pomocí DIGITAL AUDIO OUT (OPTICAL).



6 **(Satelitní vstup), (Vstup RF)**

- Připojení pro pozemní/kabelové vysílání a satelit. Připojte postupně: SUB. → Antenna → MAIN
- Konektor jack SUB. připojte pouze tehdy, když využíváte režim dvou tunerů, s výjimkou rozvodu jediným kabelem podle EN50494.

7 **CAM (Modul podmíněného přístupu)**

- Poskytuje přístup k placeným TV službám. Další podrobnosti najdete v uživatelské příručce dodané s modulem CAM.
- Nevkládejte smart kartu přímo do slotu CAM vašeho TV. Karta musí být vložena do modulu podmíněného přístupu dodaného autorizovaným prodejcem.
- CAM není v některých zemích/oblastech podporován. Dostupnost ověřte u autorizovaného prodejce.
- Když po používání internetového videa přepnete na digitální program, může se zobrazit zpráva CAM.

*1 Když připojujete monofonní zařízení, připojte je k audio konektoru L (MONO).

*2 Pro externí zařízení, které má pouze výstup SCART AV OUT, použijte adaptér SCART-RCA.

*3 Pouze pro některé oblasti/země/modely televizoru.

Montáž televizoru na zeď

Používání volitelného nástěnného držáku

Tento návod k použití televizoru popisuje pouze kroky přípravy montáže televizoru před její samotnou montáží na zeď.

Pro zákazníky:

Společnost Sony za účelem ochrany produktu a z důvodů bezpečnosti důrazně doporučuje, aby instalaci televizoru provedl prodejce Sony nebo autorizovaný dodavatel. Nepokoušejte se o jeho instalaci sami.

Pro prodejce a dodavatele Sony:

Během instalace, pravidelné údržby a prohlídek výrobku důsledně dbejte na bezpečnost.

Instalaci tohoto produktu smí provést pouze odborník, který dokáže fundovaně posoudit nosnost stěny vzhledem ke hmotnosti TV. V případě nedostatečného upevnění během instalace může dojít k pádu TV a k vážnému zranění. Společnost Sony není odpovědná za jakékoliv škody nebo zranění způsobená nesprávným zacházením, nesprávnou instalací nebo instalací jiného, než určeného produktu. Vaše (případná) statutární práva nejsou dotčena.

K instalaci televizoru na stěnu použijte nástěnný držák SU-WL845 (není součástí dodávky) (pouze KD-75XE94xx, KD-65XE93xx), SU-WL840 (není součástí dodávky) (pouze KD-55XE93xx) nebo SU-WL450 (není součástí dodávky) (pouze KD-65/55XE93xx).

Při montáži nástěnného držáku také nahlédněte do Návodu k použití a do Instalační příručky dodané s nástěnným držákem.

Poznámka

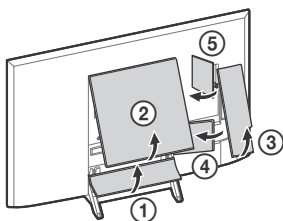
- Vyšroubované šrouby uschovejte na bezpečném místě mimo dosah dětí.
- Zajistěte, aby na stěně byl dostatek prostoru pro TV a aby její nosnost byla alespoň šestkrát vyšší, než je hmotnost TV.



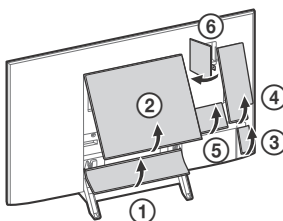
Pokyny pro montáž vašeho modelu televizoru na nástěnný držák najdete na této webové adrese: www.sony.eu/tv/wall-mount-bracket-manual

Sejměte kryt stojanu a kryty konektorů.

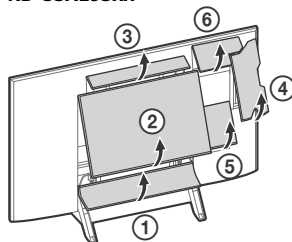
KD-75XE94xx



KD-65XE93xx



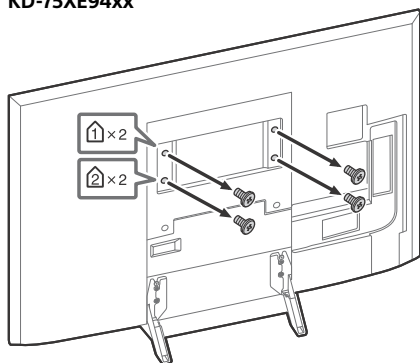
KD-55XE93xx



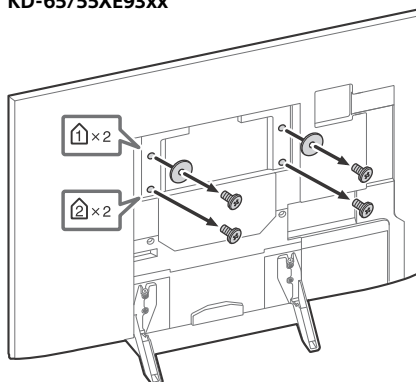
SU-WL845 (KD-75XE94xx, KD-65XE93xx), SU-WL840 (KD-55XE93xx)

Odšroubujte šrouby na zadní straně TV.

KD-75XE94xx

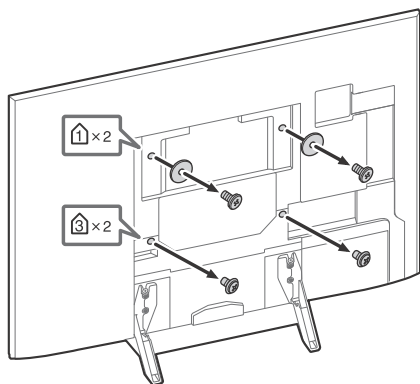


KD-65/55XE93xx

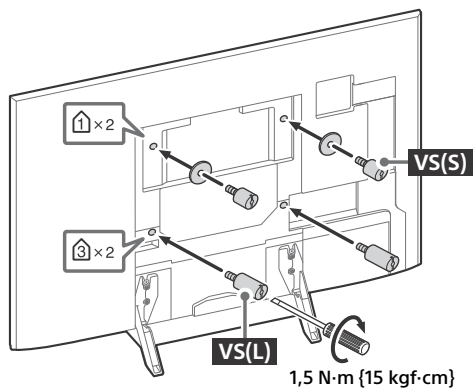


SU-WL450 (Pouze modely KD-65/55XE93xx)

1 Odšroubujte šrouby na zadní straně TV.



2 Připojte upevňovací díl pro montáž na zeď (dodán s TV) na zadní stranu TV (aby byla rovnoběžně se stěnou).



Poznámka

- Používáte-li elektrický šroubovák, nastavte utahovací moment přibližně na 1,5 N·m {15 kgf·cm}.
- Při připojování upevňovacího dílu pro montáž na zeď k TV proveďte důkladné utažení šroubů.
K instalaci upevňovacího dílu pro montáž na zeď použijte výhradně plochý šroubovák. Použití jiného nástroje může vést k překročení utahovacího momentu šroubů upevňovacího dílu pro montáž na zeď a poškození TV.

Pouze modely KD-75XE94xx, KD-55XE93xx

Televizor lze po jeho vybalení z krabice připevnit k nástěnnému držáku (není součástí dodávky) bez jakýchkoli úprav.

Připevněte televizor k nástěnnému držáku před tím, než zapojíte kabely.

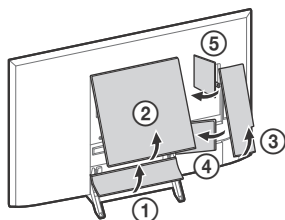
Instalaci tohoto produktu smí provést pouze odborník, který dokáže fundovaně posoudit nosnost stěny vzhledem ke hmotnosti TV. V případě nedostatečného upevnění během instalace může dojít k pádu TV a k vážnému zranění. Společnost Sony není odpovědná za jakékoliv škody nebo zranění způsobená nesprávným zacházením, nesprávnou instalací nebo instalací jiného, než určeného produktu. Vaše (případná) statutární práva nejsou dotčena.

Společnost Sony důrazně doporučuje, aby s ohledem na ochranu produktu a z bezpečnostních důvodů montáž televizoru na zeď prováděli kvalifikovaní profesionálové. Nepokoušejte se provádět montáž sami.

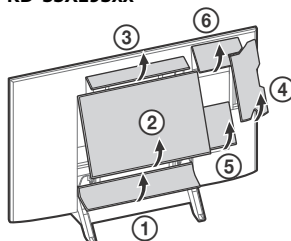
- Řiďte se pokyny dodanými s nástěnným držákem pro váš model.
- Ujistěte se, že nepoužité šrouby a stolní stojan budou uchovány na bezpečném místě do doby, kdy budete chtít stolní stojan připevnit. Šrouby uchovávejte mimo dosah malých dětí.
- Zajistěte, aby na stěně byl dostatek prostoru pro TV a aby její nosnost byla alespoň šestkrát vyšší, než je hmotnost TV.

1 Sejměte kryt stojanu a kryty konektorů.

KD-75XE94xx

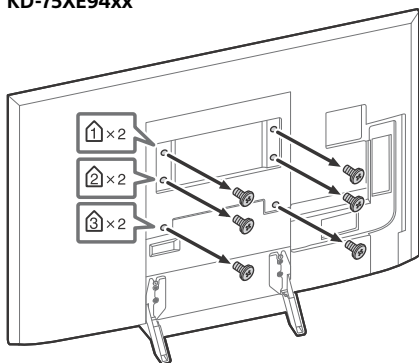


KD-55XE93xx

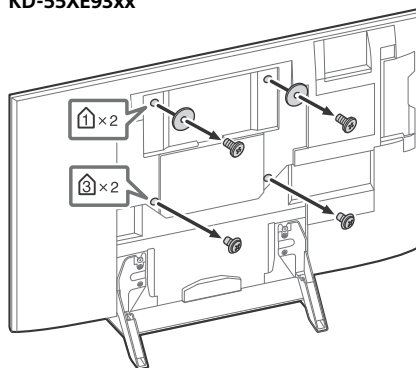


2 Odšroubujte šrouby na zadní straně TV.

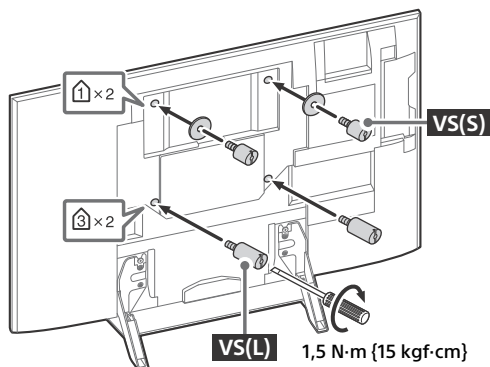
KD-75XE94xx



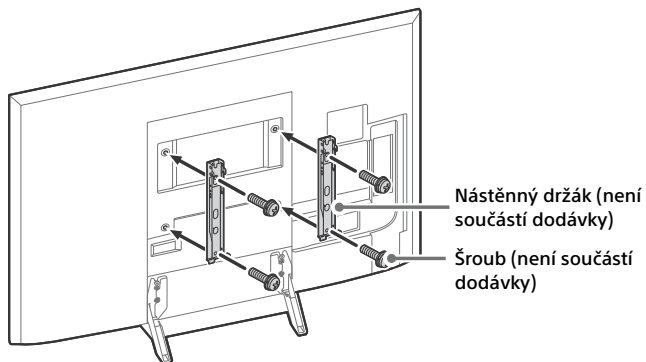
KD-55XE93xx



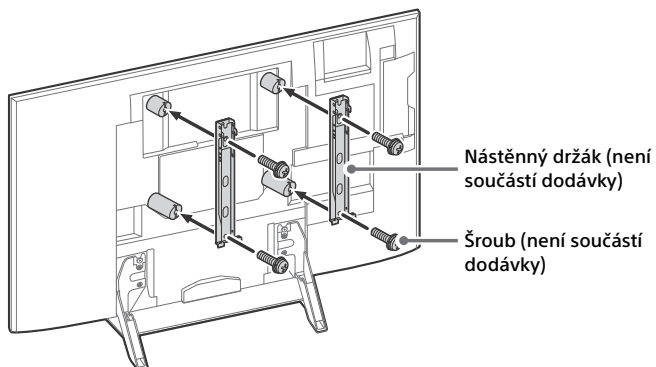
- 3** Připojte upevňovací díl pro montáž na zeď (dodán s TV) na zadní stranu TV (aby byla rovnoběžně se stěnou). (Pouze modely KD-55XE93xx)



- 4** Upevněte nástěnný držák (není součástí dodávky) šrouby (nejsou součástí dodávky).
KD-75XE94xx

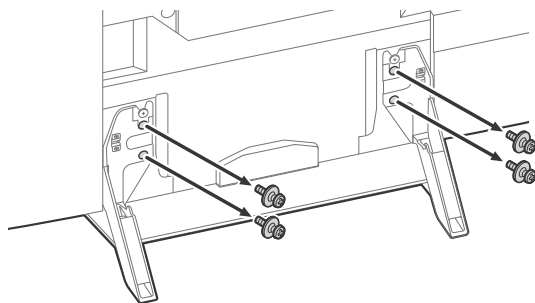


KD-55XE93xx



CZ

5 Odmontujte stolní stojan od TV.



Poznámka

- Používáte-li elektrický šroubovák, nastavte utahovací moment přibližně na 1,5 N·m {15 kgf·cm}.
- Při připojování upevňovacího dílu pro montáž na zeď k TV proveďte důkladné utažení šroubů.
K instalaci upevňovacího dílu pro montáž na zeď použijte výhradně plochý šroubovák. Použití jiného nástroje může vést k překročení utahovacího momentu šroubů upevňovacího dílu pro montáž na zeď a poškození TV.
- Při použití nástěnného držáku (není součástí dodávky) nebudete moci použít některé držáky kabelů umístěné na zadní straně televizoru.

Řešení problémů

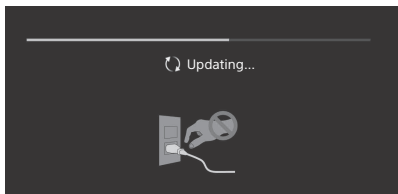
Při obecném řešení problémů, jako jsou černá obrazovka, nehrající zvuk, nehybný obraz, nereagující televizor nebo ztráta sítě, postupujte následovně.

- 1 Vypněte a znovu zapněte televizor stisknutím tlačítka napájení na dálkovém ovládacím, dokud se nezobrazí zpráva. Televizor se restartuje. Pokud se televizor neobnoví, zkuste jej odpojit od zdroje napájení po dobu dvou minut a pak jej znovu zapojte.
- 2 Více informací naleznete v nabídce nápovědy po stisknutí tlačítka **HELP** na dálkovém ovládacím.
- 3 Připojte televizor k internetu a aktualizujte software.
- 4 Navštivte internetové stránky podpory Sony (informace naleznete na zadní straně dokumentu).

Když se zobrazí zpráva [K dispozici je nová aktualizace systémového softwaru...].

Společnost Sony důrazně doporučuje aktualizovat software televizoru výběrem možnosti [Aktualiz. nyní]. Tyto aktualizace softwaru zlepšují výkon televizoru nebo přidávají nové funkce.

Během aktualizace softwaru se objeví následující obrazovka [Updating...] (Aktualizace...) a bude blikat LED kontrolka.



Během aktualizace softwaru neodpojujte napájecí kabel. Pokud byste tak učinili, nemusela by být aktualizace softwaru zcela dokončena, což by mohlo způsobit poruchu softwaru. Aktualizace softwaru mohou trvat až 15 minut.

Když televizor odpojíte, je možné, že televizor nebude možné nějakou dobu zapnout, i když stisknete tlačítko napájení na dálkovém ovladači nebo na televizoru.

Inicializace systému nějakou dobu trvá. Počkejte přibližně jednu minutu, potom to zkuste znovu.

Problémy a řešení

Když LED kontrolka bliká červeně.

- Spočítejte, kolikrát zabliká (časový interval je 3 sekundy).
Resetujte televizor odpojením od zdroje napájení po dobu dvou minut, potom televizor zapněte. Pokud problém přetrvává, odpojte televizor od zdroje napájení a obraťte se na svého prodejce nebo na servisní středisko Sony, přičemž uveďte, kolikrát LED kontrolka blikala.

Nelze přijímat služby pozemního/kabelového vysílání.

- Zkontrolujte anténní/kabelové připojení a nastavení zesilovače.
- Stisknutím tlačítka **DIGITAL/ANALOG** na dálkovém ovladači zvolte pozemní/kabelové vysílání. Pokud se služba vysílání nezobrazuje, stiskněte tlačítko **TV** a poté **DIGITAL/ANALOG**.
- Pokud je v okolí vysílán velmi silný signál, signál pozemního vysílání může být potlačen. Nastavte [LNA (K. ---)] na [Vyp] při ladění digitálních programů.
- Když se přestěhujete do nového domu nebo bytu nebo když chcete přijímat nové služby, příslušné služby vyhledejte výběrem položky [Digitální ladění].

Nelze přijímat služby satelitního vysílání.

- Zkontrolujte připojení satelitního kabelu.
- Když se zobrazí zpráva [Žádný signál. Detekováno přetížení LNB...], odpojte televizor od zdroje napájení. Potom se ujistěte, že satelitní kabel není poškozený a že vedení satelitního signálu není zkratováno v satelitním konektoru.

Dálkové ovládání nefunguje.

- Vyměňte baterie.

Zapomněli jste heslo rodičovského zámku vysílání.

- Zadejte 9999 jako kód PIN a vyberte [Změnit kód PIN].

Panel televizoru se zahřívá.

- Když je televizor používán delší dobu, panel se zahřeje.
Na dotek může být horký.

Specifikace

Systém

Typ panelu

Panel LCD (displej s kapalnými krystaly),
Podsvícení LED

Televizní systém

V závislosti na oblasti, zemi nebo modelu
televizoru

Analogové: B/G, D/K, I

Digitální: DVB-T/DVB-C

DVB-T2*

Satelit*: DVB-S/DVB-S2

Systém barev

PAL, SECAM, NTSC3.58 (Pouze video), NTSC4.43
(Pouze video)

Výběr kanálů

V závislosti na oblasti, zemi nebo modelu
televizoru

Analogové: UHF/VHF/kabelové

Digitální: UHF/VHF/kabelové

Satelit*: mezifrekvenční kmitočty 950-2 150 MHz

Zvukový výstup

KD-75XE94xx, KD-65XE93xx: 10 W + 10 W + 10 W +
10 W + 10 W + 10 W

KD-55XE93xx: 5 W + 5 W + 10 W + 10 W + 10 W +
10 W

Bezdrátová technologie

Protokol IEEE802.11ac/a/b/g/n

(IEEE802.11ac nemusí být k dispozici v závislosti na
zemích/oblastech.)

Verze Bluetooth 4.1

Kmitočtové pásmo (pásma): WLAN 2,4 GHz /
5 GHz, Bluetooth 2,4 GHz

Vysílač rádiové frekvence: max. 100 mW

Verze softwaru televizoru:

PKG_..._...EUA

Verzi softwaru zobrazíte stisknutím tlačítka **HELP**
na dálkovém ovladači.

* Všechny televizory nemají technologii DVB-T2 nebo
DVB-S/S2 nebo terminál pro satelitní anténu.

Vstupní/Výstupní konektory jack

Anténa/kabel

75 ohmová externí zásuvka pro VHF/UHF

Satelitní anténa

Konektor typ F (zásuvka), 75 ohmová.

DiSEqC 1.0, LNB 13 V/18 V a tón 22 kHz,

Rozvod jediným kabelem EN50494.

AV IN 1

Video/audio vstup (mini-konektor jack)

COMPONENT IN

YPbPr (komponentní video): 1080p (50, 60 Hz),
1080i (50, 60 Hz), 720p (50, 60 Hz), 576p, 576i,
480p, 480i

Audio vstup (phono konektory)

AV IN 2

Video vstup (běžný konektor phono se vstupem
Y)

HDMI IN 1, 2, 3, 4 (podpora rozlišení 4K,

Kompatibilní s HDCP 2.2)

Video:

4096 × 2160p (50, 60 Hz)*1*2, 4096 × 2160p

(24 Hz)*1, 3840 × 2160p (50, 60 Hz)*2,

3840 × 2160p (24, 25, 30 Hz), 1080p (30, 50,

60 Hz), 1080/24p, 1080i (50, 60 Hz), 720p

(30, 50, 60 Hz), 720/24p, 576p, 576i, 480p, 480i,
PC formáty

*1 Při vstupu 4096 × 2160p se zobrazí 3840 × 2160p.

*2 pouze port HDMI IN 2 / 3.

Audio: 5,1 kanálové lineární PCM: 32, 44,1, 48,
88,2, 96, 176,4 a 192 kHz, 16, 20 a 24 bitů, Dolby
Digital, Dolby Digital Plus a DTS

ARC (Audio Return Channel) (pouze port HDMI
IN 3)

(dvoukanálový lineární PCM: 48 kHz, 16 bitů,
Dolby Digital, Dolby Digital Plus, DTS)

DIGITAL AUDIO OUT (OPTICAL)

Digitální optický konektor jack (dvoukanálový
lineární PCM: 48 kHz, 16 bitů, Dolby Digital, DTS)

AUDIO OUT (stereofonní mini konektor)

Sluchátka, audio výstup, subwoofer

1, 2, **SS** 3 (HDD REC)*1

Port pro USB zařízení (**SS** 3 USB HDD zařízení
pro funkci nahrávání)

USB porty 1 a 2 podporují vysokorychlostní USB
(USB2.0).

USB port 3 podporuje super rychlé USB (USB3.0).

Slot CAM

Slot CAM (modul podmíněného přístupu)

LAN

Konektor 10BASE-T/100BASE-TX (V závislosti na
operačním prostředí sítě se rychlost připojení
může lišit. Komunikační rychlost a kvalita
komunikace 10BASE-T/100BASE-TX není pro tento
televizor zaručena.)

DC IN 24 V (pouze modely s dodaným
síťovým adaptérem)

Vstup síťového adaptéru

IR BLASTER*1

Vstup pro kabel IR Blaster (mini jack konektor)

Ostatní

Volitelné příslušenství

Nástěnný držák: SU-WL845 (Pouze modely KD-75XE94xx, KD-65XE93xx)

Nástěnný držák: SU-WL840 (Pouze modely KD-55XE93xx)

Nástěnný držák: SU-WL450 (Pouze modely KD-65/55XE93xx)

Provozní teplota

0 °C – 40 °C

Provozní vlhkost

Relativní vlhkost 10 % – 80 % (nekondenzující)

Napájení, specifikace produktu a další

Požadavky na napájení

kromě modelů s dodaným síťovým adaptérem

220 V – 240 V AC, 50 Hz

pouze modely s dodaným síťovým adaptérem

24 V DC se síťovým adaptérem

Napájecí napětí: 220 V – 240 V AC, 50 Hz

Třída energetické účinnosti

KD-75XE94xx: B

KD-65XE93xx: A

KD-55XE93xx: B

Velikost obrazovky (úhlopříčka) (přibliž.)

KD-75XE94xx: 189,3 cm / 75 palců

KD-65XE93xx: 163,9 cm / 65 palců

KD-55XE93xx: 138,8 cm / 55 palců

Spotřeba energie

v režimu [Standardní]

KD-75XE94xx: 298 W

KD-65XE93xx: 164 W

KD-55XE93xx: 137 W

v režimu [Živý]

KD-75XE9405: 495 W

KD-65XE9305: 294 W

KD-55XE9305: 227 W

Průměrná roční spotřeba energie*2

KD-75XE94xx: 413 kWh

KD-65XE93xx: 227 kWh

KD-55XE93xx: 190 kWh

Spotřeba energie v pohotovostním režimu*3*4

0,50 W (27 W v režimu aktualizace softwaru/EPG)

Rozlišení obrazu

3 840 bodů (vodorovně) × 2 160 řádků (svisle)

Vlastnosti výstupu

USB 1/2: 5 V, \equiv , MAX. 500 mA

USB 3: 5 V, \equiv , MAX. 900 mA

Rozměry (přibliž.) (š × v × h)

se stolním stojanem

KD-75XE94xx: 167,3 × 103,7 × 32,5 cm

KD-65XE93xx: 145,1 × 91,3 × 29,5 cm

KD-55XE93xx: 123,2 × 79,0 × 28,2 cm

bez stolního stojanu

KD-75XE94xx: 167,3 × 96,2 × 6,2 cm

KD-65XE93xx: 145,1 × 83,8 × 3,9 cm

KD-55XE93xx: 123,2 × 71,5 × 4,0 cm

Hmotnost (přibliž.)

se stolním stojanem

KD-75XE94xx: 47,6 kg

KD-65XE93xx: 42,4 kg

KD-55XE93xx: 32,6 kg

bez stolního stojanu

KD-75XE94xx: 42,8 kg

KD-65XE93xx: 38,2 kg

KD-55XE93xx: 28,6 kg

*1 Pouze pro některé oblasti/země/modely televizoru.

*2 Spotřeba energie za rok spočítaná na základě spotřeby televizoru zapnutého 4 hodiny denně po 365 dní. Skutečná spotřeba energie závisí na způsobu používání televizoru.

*3 Specifikovaná spotřeba energie v pohotovostním režimu je dosažena po dokončení nezbytných vnitřních procesů televizoru.

*4 Spotřeba elektrické energie v pohotovostním režimu se zvýší, pokud je televizor připojen k síti.

Poznámka


- Nevylížejte krytku slotu CAM (modul podmíněného přístupu) televizoru za jiným účelem než vložením karty Smart.
- Dostupnost volitelného příslušenství závisí na zemi/oblasti/modelu televizoru/zásobách na skladě.
- Vzhled a specifikace se mohou změnit bez předchozího upozornění.

Poznámky k funkcím digitální televize

- Digitální televize (DVB pozemní, satelitní a kabelová), interaktivní služby a síťové funkce nemusí být dostupné ve všech zemích nebo oblastech. Některé funkce nemusí být některými poskytovateli a v některých síťových prostředích aktivovány nebo nemusí pracovat správně. Někteří poskytovatelé televizních služeb mohou za své služby účtovat poplatky.
- Tento televizor podporuje digitální vysílání s využitím kodeků MPEG-2, H.264/MPEG-4 AVC a H.265/HEVC, nicméně nelze zaručit kompatibilitu se signály všech operátorů/služeb, které se mohou v průběhu času měnit.

Informace o obchodních značkách

- Výrazy HDMI a HDMI High-Definition Multimedia Interface a logo HDMI jsou ochranné známky nebo registrované ochranné známky společnosti HDMI Licensing LLC ve Spojených státech a jiných zemích.
- Vyrobeno na základě licence poskytnuté společností Dolby Laboratories. Dolby, Dolby Audio a symbol dvojitého D jsou ochranné známky společnosti Dolby Laboratories.
- „BRAVIA“ a BRAVIA jsou ochranné známky společnosti Sony Corporation.
- Gracenote, Gracenote eyeQ, Gracenote VideoID, Gracenote Video Explore, logo a ligatura Gracenote a logo „Powered by Gracenote“ jsou buď registrované obchodní známky nebo obchodní známky společnosti Gracenote ve Spojených státech a/nebo jiných zemích.
- Opera® Devices SDK. Copyright 1995-2016 Opera TV AS. All rights reserved.
- Wi-Fi, Wi-Fi Direct, Miracast, Wi-Fi Protected Setup a logo Wi-Fi CERTIFIED jsou obchodní značky nebo registrované ochranné známky sdružení Wi-Fi Alliance.
- Informace o patentech DTS naleznete na stránce <http://patents.dts.com>. Vyrobeno na základě licence od společnosti DTS, Inc. DTS, symbol a DTS spolu se symbolem jsou registrované obchodní známky společnosti DTS, Inc. © DTS, Inc. Všechna práva vyhrazena.
- Slovní značka a loga Bluetooth® jsou registrované ochranné známky ve vlastnictví společnosti Bluetooth SIG, Inc. a jakékoliv využívání těchto značek společností Sony Corporation podléhá licenci. Ostatní obchodní značky a obchodní názvy jsou majetkem příslušných vlastníků.
- DiSEqC™ je ochranná známka společnosti EUTELSAT. Tento televizor podporuje DiSEqC 1.0. Tento televizor není určen k ovládní antén s motorovým pohonem.
- TUXERA je registrovaná ochranná známka společnosti Tuxera Inc. v USA a v dalších zemích.

- Logo USB-IF SuperSpeed USB Trident je registrovaná ochranná známka společnosti USB Implementers Forum, Inc. 

Obsah

DÔLEŽITÉ UPOZORNENIE	2
Informácie o bezpečnosti	3
Preventívne pokyny	6
Súčasti a ovládacie prvky	8
Ovládacie prvky a indikátory	8
Používanie diaľkového ovládača	9
Opis ovládacích prvkov diaľkového ovládača	9
Schéma zapojenia	11
Montáž TV prijímača na stenu	13
Použitie voliteľnej montážnej konzoly na stenu	13
SU-WL845 (KD-75XE94xx, KD-65XE93xx), SU-WL840 (KD-55XE93xx)	14
SU-WL450 (Len KD-65/55XE93xx)	14
Len KD-75XE94xx, KD-55XE93xx	16
Riešenie problémov	19
Problémy a riešenia	19
Technické parametre	20

Pripojenie na internet a ochrana údajov

Tento výrobok sa pripojí na internet počas počiatočného nastavenia, hneď ako bude sieť pripojená za účelom potvrdenia pripojenia na internet a neskôr na konfiguráciu domovskej obrazovky. V týchto i všetkých ďalších pripojeniach na internet je použitá vaša IP adresa. Ak chcete, aby vaša IP adresa nebola vôbec použitá, nenastavujte bezdrôtové pripojenie na internet a nepripájajte zariadenie na internet ani káblom. Pokiaľ ide o ďalšie podrobnosti o pripojeniach na internet, pozrite si informácie o ochrane osobných údajov na obrazovkách v nastaveniach.

Úvod

Ďakujeme vám, že ste si vybrali tento výrobok značky Sony. Pred uvedením tohto televízneho prijímača do činnosti si pozorne prečítajte tento návod a odložte si ho pre prípad budúcej potreby.

Poznámka

- Pred uvedením tohto televízneho prijímača do činnosti si prečítajte „Informácie o bezpečnosti“ (strana 3).
- Obrázky a ilustrácie použité v Sprievodcovi nastavením a v tomto návode slúžia len na referenčné účely a môžu sa líšiť od samotného produktu.
- Znak „xx“, ktorý sa uvádza v názve modelu, zodpovedá číselnému znaku, ktorý sa týka konštrukcie, farby alebo systému televízneho vysielania.

Umiestnenie Sprievodcu nastavením

Sprievodca nastavením sa nachádza na ochranné výplni vnútri kartónu s televíznym prijímačom.

Pomocník/Príručka

Funkcia Pomocníka ponúka množstvo informácií o televízore. Ak chcete použiť funkciu Pomocníka, stlačte na diaľkovom ovládaní tlačidlo **HELP**. Informácie a riešenie problémov nájdete v zozname alebo pomocou vyhľadávania kľúčových slov. Vyberte položku [Príručka] v ponuke Pomocník, čím zobrazíte návod. Ak pripojíte TV k internetu, funkcia Pomocníka a informácie sa aktualizujú.

Umiestnenie identifikačného štítku

Štítky s číslom modelu, dátumom výroby (rok/mesiac) a s údajmi o napájacom zdroji sa nachádzajú na zadnej časti TV prijímača alebo na balení. Nájdete ich, keď odstránite kryt stojana a stredový kryt.

Pre modely s dodávaným sieťovým adaptérom: Štítky s číslom modelu a sériovým číslom sieťového adaptéra sa nachádzajú na spodnej strane sieťového adaptéra.

VÝSTRAHA

SVIEČKY A INÝ

OTVORENÝ PLAMEŇ

DRŽTE VŽDY V DOSTATOČNEJ

VZDIALENOSTI OD TOHTO

VÝROBKU, ABY STE PREDIŠLI

ŠÍRENIU OHŇA.



DÔLEŽITÉ UPOZORNENIE

Tento výrobok je vyrobený priamo alebo v mene Sony Corporation, 1-7-1 Konan Minato-ku, Tokyo, 108-0075 Japonsko. Otázky či výrobok vyhovuje požiadavkám podľa legislatívy Európskej únie treba adresovať na autorizovaného zástupcu Sony Belgium, bijkantoor van Sony Europe Limited, Da Vincilaan 7-D1, 1935 Zaventem, Belgicko. V akýchkoľvek servisných alebo záručných záležitostiach prosím kontaktujte adresy uvedené v separátnych servisných alebo záručných dokumentoch.

Poznámka pre rádiové zariadenie



Sony Corporation vyhlasuje, že rádiové zariadenia typu KD-75XE9405, KD-65XE9305, KD-55XE9305 sú v súlade so základnými požiadavkami a ostatnými platnými predpismi Smernice 1999/5/EC. Podrobnosti nájdete na nasledujúcom URL: <http://www.compliance.sony.de/>

Toto rádiové zariadenie možno prevádzkovať v EÚ bez toho, aby došlo k porušeniu platných požiadaviek na využívanie rádiového frekvencného spektra.

Poznámka pre spotrebiteľov: nasledujúce informácie sa vzťahujú iba na zariadenie predávané v krajinách, v ktorých platia smernice EÚ.

Bezdrôtový systém môžete používať iba v týchto krajinách:

AT, BE, HR, CY, CZ, DK, EE, FI, FR, DE, EL, HU, IE, IT, LV, LT, LU, MT, NL, PL, PT, SK, SI, ES, SE, UK, IS, LI, NO, CH, BG, RO, TR, AL, BA, MK, MD, RS, ME, Kosovo

Toto zariadenie môžete používať v krajinách mimo Európsku úniu.

Informácie o bezpečnosti

VAROVANIE

Batérie nesmú byť vystavené nadmernému teplu, napríklad slnečnému svetlu, ohňu a podobne.

Televízny prijímač nikdy neumiestňujte na nestabilné miesto. Televízny prijímač môže spadnúť a spôsobiť zranenie alebo smrť.

Mnohým zraneniam, najmä u detí, sa dá zabrániť uplatnením jednoduchých opatrení, napríklad:

- Používať skrinky alebo stoly odporúčané výrobcom televízneho prijímača.
 - Používať len taký nábytok, na ktorom môže televízny prijímač bezpečne stáť.
 - Zabezpečiť, aby televízny prijímač neprečnieval cez okraj nábytku, na ktorom stojí.
 - Nedávať televízny prijímač na vysoký nábytok (napríklad na príborník či knižnicu) bez ukotvenia nábytku aj televízneho prijímača k vhodnej podpore.
 - Nedávať televízny prijímač na látku či iné materiály, ktoré môžu byť medzi televíznym prijímačom a nábytkom.
 - Poučiť deti o nebezpečenstvách splňania sa po nábytku pri dosahovaní na televízny prijímač alebo jeho ovládacie prvky.
- Ak si ponechávate a priestranie svoj pôvodný televízny prijímač, treba uplatňovať rovnaké opatrenia.

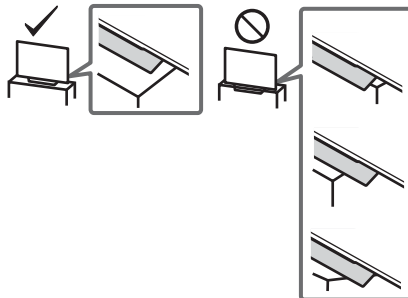
Inštalácia/Nastavenie

Televízny prijímač nainštalujte a používajte v súlade s dolu uvedenými pokynmi, aby ste predišli vzniku rizika požiaru, úderu elektrického prúdu, poškodeniam alebo úrazom.

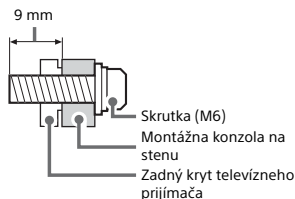
Inštalácia

- Televízny prijímač treba nainštalovať v blízkosti ľahko dostupnej sieťovej zásuvky.
- Umiestnite televízny prijímač na stabilný rovný povrch, aby ste predišli jeho prevrhnutiu a zraneniu alebo poškodeniu majetku.
- Televízny prijímač nainštalujte na miesto, odkiaľ ho nie je možné stiahnuť, posunúť ani prevrhnuť.

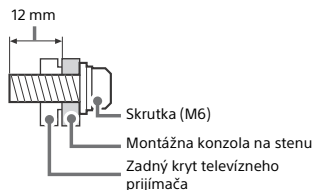
- Televízny prijímač nainštalujte tak, aby stolový stojan televízneho prijímača neprečnieval mimo TV stojana (nedodáva sa). Ak stolový stojan prečnieva mimo TV stojana, televízny prijímač sa môže prevrhnúť, spadnúť a spôsobiť zranenie osôb alebo sa môže televízny prijímač poškodiť.



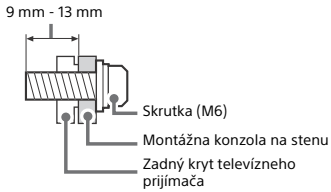
- Inštaláciu upevnenia na stenu môže uskutočňovať iba kvalifikovaný pracovník servisu.
- Z bezpečnostných dôvodov rozhodne odporúčame používať príslušenstvo značky Sony, ako napr.:
 - Montážna konzola na stenu SU-WL845 (Len KD-75XE94xx, KD-65XE93xx)
 - Montážna konzola na stenu SU-WL840 (Len KD-55XE93xx)
 - Montážna konzola na stenu SU-WL450 (Len KD-65/55XE93xx)
- Na pripavenie montážnej konzoly na stenu k TV prijímaču použite skrutky dodané s montážnou konzolou na stenu. Dodané skrutky, znázornené na ilustrácii, sú merané od pripievňovacieho povrchu montážnej konzoly na stenu. Priemer a dĺžka skrutky závisia od modelu konzoly na montáž na stenu. Použitie iných ako dodávaných skrutiek môže mať za následok vnútorné poškodenie televízneho prijímača, alebo spôsobiť jeho pád atď.
- Voliteľná montážna konzola na stenu (Len SU-WL845, SU-WL840)
Vrchná strana



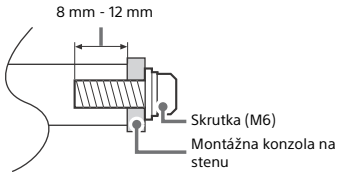
Spodná strana



– Voliteľná montážna konzola na stenu (Okrem SU-WL845, SU-WL840)
KD-75XE94xx

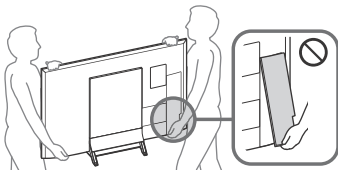
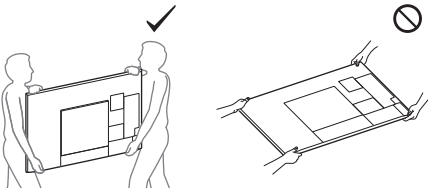


KD-65/55XE93xx

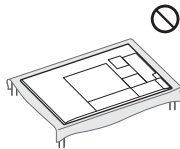


Preprava

- Pred premiestňovaním televízneho prijímača odpojte všetky káble.
- Na prenášanie veľkého televízneho prijímača sú potrební dvaja alebo traja ľudia.
- Pri prenášaní držte televízny prijímač tak, ako je to znázornené nižšie. LCD panel a rám okolo obrazovky chráňte pred zvýšeným namáhaním.

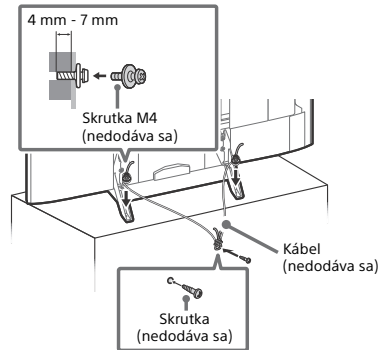
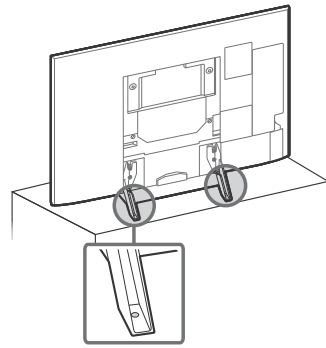


- Pri manipulácii s televíznym prijímačom ani pri jeho montáži televízny prijímač nekladte.



- Pri prenášaní a preprave chráňte televízny prijímač pred nárazmi alebo nadmernými vibráciami.
- Pri preprave do opravy alebo pri sťahovaní zabalte televízny prijímač do pôvodného kartónu a baliaceho materiálu.

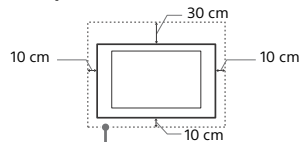
Predchádzanie prevrnutiu



Vetranie

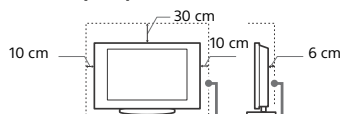
- Vetracie otvory skrinky nikdy nezakrývajte a nič dovnútra prístroja nestrkajte.
- Ponechajte voľný priestor okolo televízneho prijímača ako na ilustrácii dole.
- Rozhodne odporúčame použiť nástenný držiak značky Sony, aby sa zaručila dostatočná cirkulácia vzduchu.

Nainštalovaný na stene



Okolo prijímača ponechajte najmenej takýto voľný priestor.

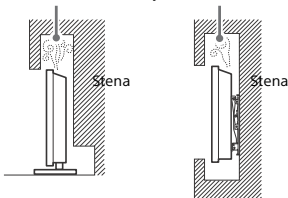
Nainštalovaný na podstavci



Okolo prijímača ponechajte najmenej takýto voľný priestor.

- Na zaručenie dostatočného vetrania a na predchádzanie usadzovaniu nečistôt alebo prachu:
 - Televízny prijímač nekladte na plochu, neinštalujte ho hlavou dolu, dozadu ani nabok.
 - Televízny prijímač nekladte na policu, koberec, posteľ ani do skrine.
 - Televízny prijímač neprikrývajte textíliami, ako sú záclony, ani predmetmi ako noviny a pod.
 - Televízny prijímač neinstalujte podľa ilustrácie dolu.

Cirkulácia vzduchu je zablokovaná.



Sieťový kábel

Pri manipulácii so sieťovým káblom a zásuvkou dodržiavajte nasledujúce zásady, aby ste predišli vzniku rizika požiaru, úderu elektrického prúdu, poškodeniam alebo úrazom:

- Používajte iba sieťové káble dodávané spoločnosťou Sony, nie od iných dodávateľov.
- Vidlicu zasunúť úplne do sieťovej zásuvky.
- Televízny prijímač pripájajte iba k sieti 220 V - 240 V striedavých.
- Pri zapájaní káblov sa pre vlastnú bezpečnosť presvedčíte, že napájací kábel je odpojený. Nedotýkajte sa káblových konektorov.
- Predtým, ako budete s televíznym prijímačom pracovať alebo ho premiestňovať, odpojte napájací kábel od sieťovej zásuvky.
- Napájací kábel nepribližujte k zdrojom tepla.
- Sieťovú vidlicu odpojte a pravidelne ju čistite. Ak je vidlica zaprášená a pohlcuje vlhkosť, môže sa znegodnotiť jej izolácia, čo môže spôsobiť požiar.

Poznámka

- Dodávaný napájací kábel nepoužívajte so žiadnym iným zariadením.
- Napájací kábel príliš nestláčajte, neohýbajte ani neskrútcajte. Mohli by sa obnažiť alebo zlomiť žily kábla.
- Napájací kábel neupravujte.
- Nekladte na napájací kábel nič ťažké.
- Pri odpojení vidlice netahajte za napájací kábel.
- Nepripájajte príliš veľa spotrebičov k tej istej sieťovej zásuvke.
- Nepoužívajte uvoľnenú sieťovú zásuvku.

POZNÁMKA K SIEŤOVÉMU ADAPTÉRU (iba modely s dodaným sieťovým adaptérom)

Varovanie

- Chráňte zariadenie pred dažďom a vlhkosťou, aby ste predišli riziku požiaru alebo zásahu elektrickým prúdom.
- Neumiestňujte na zariadenie objekty naplnené tekutinami, ako napríklad vázy, aby ste predišli riziku požiaru alebo zásahu elektrickým prúdom. Toto zariadenie neumiestňujte do uzavretého priestoru, ako je knižnica alebo podobný priestor.
- Uistite sa, že elektrická zásuvka je nainštalovaná v blízkosti zariadenia a že je ľahko dostupná.
- Používajte dodaný sieťový adaptér a napájací kábel.
- Nepoužívajte žiaden iný napájací adaptér. Môže to spôsobiť poruchu.
- Sieťový adaptér pripojte k ľahko dostupnej elektrickej zásuvke.
- Napájací kábel neomotávajte okolo sieťového adaptéra. Drôt sa môže zlomiť a/alebo to môže spôsobiť poruchu mediálneho prijímača.



- Nechytajte sieťový adaptér mokrymi rukami.
- Ak si všimnete nejakú abnormalitu na sieťovom adaptéri, okamžite ho odpojte od elektrickej zásuvky.
- Zariadenie nie je odpojené od zdroja napájania, pokiaľ je pripojené k elektrickej zásuvke, aj keď ste samotné zariadenie vypili.

- Sieťový adaptér sa pri dlhšom používaní zahrieva. Môžete to cítiť, keď sa ho dotknete rukou.

Zakázané použitie

Televízny prijímač neinštalujte a nepoužívajte na miestach, v prostredí alebo v situácii, uvádzaných ďalej v texte, pretože môže dôjsť k poruche televízneho prijímača a následne k požiaru, úderu elektrickým prúdom, poškodeniu a/alebo k úrazu.

Umiestnenie:

- Vonku (na priamom slnečnom svetle), na morskom pobreží, na lodi alebo inom plavidle, vo vozidle, v zdravotníckych zariadeniach, na nestabilných miestach, v blízkosti vody, na daždi, pri vlhkosti alebo dyme.

Prostredie:

- Miesta, ktoré sú horúce, vlhké alebo nadmerne prašné; miesta kam môže preniknúť hmyz; vystavené mechanickým vibráciám, v blízkosti horľavých predmetov (sviečky a pod.). Televízny prijímač chráňte pred odstrekujuúcimi alebo kvapkajúcimi tekutinami. Nekladte na televízny prijímač žiadne predmety naplnené tekutinou, ako sú vázy a pod.

Situácie:

- Výrobca neodporúča používať s mokrymi rukami, pri odkrytom telese, prípadne s doplnkami. Počas búrky odpojte televízny prijímač od sieťovej zásuvky a od antény.
- Televízor nainštalujte tak, aby trčal do otvoreného priestoru. Môže to spôsobiť poranenie alebo poškodenie nárazom do TV prijímača.



- Televízor umiestnite do vlhkého alebo prašného prostredia alebo do miestnosti s výskytom olejového dymu alebo výparov (v blízkosti kuchynských pracovných stolov alebo zvlhčovačov). Mohlo by to spôsobiť požiar, elektrický šok alebo deformácie.
- Televízor umiestnite na miesta vystavené extrémnym teplotám, ako priame slnečné žiarenie, blízko radiátorov alebo ohrievačov. Televízor sa môže v takýchto podmienkach prehriať a následne sa môže zdeformovať kryt alebo sa môže vyskytnúť porucha.



- Ak sa TV prijímač umiestni do šatne verejnej plavárne alebo termálnych prameňov, môže sa poškodiť šírú prenášanou vzduchom atď.



- Aby ste dosiahli najlepšiu kvalitu obrazu, nevystavujte obrazovku priamemu osvetleniu alebo slnečnému svetlu.
- TV prijímač neprenášajte z chladného prostredia do teplého. Náhle zmeny teploty miestnosti môžu zapríčiniť kondenzáciu vlhkosti. Výsledkom toho môže byť nekvalitný obraz a/alebo nekvalitné farby. Ak sa tak stane, pred zapnutím napájania TV prijímača nechajte vlhkosť celkom vypariť.

Rozbité kusky:

- Do televízneho prijímača nič nehádzte. Sklo na obrazovke sa môže nárazom poškodiť a spôsobiť vážny úraz.
- Ak povrch televízneho prijímača praskne, nedotýkajte sa ho, až kým neodpojíte napájací kábel. V opačnom prípade môže dôjsť k úderu elektrického prúdu.

Ak sa prijímač nepoužíva

- Ak televízny prijímač nebudete niekoľko dní používať, odpojte ho od napájania z dôvodov ochrany životného prostredia a bezpečnosti.
- Pretože vypnutím sa televízny prijímač od siete úplne neodpojí, na úplné odpojenie televízneho prijímača je potrebné vytiahnuť vidlicu zo sieťovej zásuvky.
- Niektoré televízne prijímače môžu mať funkcie, ktoré si na správne fungovanie vyžadujú, aby bol televízny prijímač ponechaný v pohotovostnom režime.

Pre deti

- Nedovoľte, aby deti vyliezali na televízny prijímač.
- Drobné prislúšenstvo sa nesmie ponechať v dosahu detí, pretože by mohlo byť omylom prehltnuté.

Ak by sa vyskytli nasledujúce problémy...

Ak by sa vyskytol niektorý z nasledujúcich problémov, televízny prijímač **vypnite** a okamžite odpojte napájací kábel.

Požiadajte predajcu alebo servisné stredisko Sony, aby prijímač skontroloval odborník.

Keď:

- Napájací kábel je poškodený.
- Sieťová zásuvka je uvoľnená.
- Televízny prijímač bol poškodený pádom, úderom alebo predmetom, ktorý naň dopadol.
- Cez otvory v skrínke prenikne do prijímača tekutina alebo iný predmet.

Informácie o teplote televízneho prijímača s LCD

Keď televízny prijímač s LCD používate dlhší čas, okolité časti panela sa zahrejú. Môžete to cítiť, keď sa ho dotknete rukou.

Preventívne pokyny

Sledovanie televízneho programu

- Televízny program sledujte pri miernom osvetlení, pretože sledovanie televízneho prijímača pri slabom osvetlení alebo po dlhšiu dobu namáha vaše oči.
- Pri používaní slúchadiel si nastavte vhodnú hlasitosť, pretože príliš vysoká úroveň môže spôsobiť poškodenie sluchu.

Obrazovka LCD

- Hoci sa obrazovka LCD vyrába použitím vysoko presnej technológie a 99,99 % a viac pixelov je funkčných, na obrazovke LCD môžu byť trvalo čierne alebo jasné body (červené, modré alebo zelené). Ide o konštrukčnú charakteristiku obrazovky LCD a nejde o jej poruchu.
- Čelný filter sa nesmie stláčať ani poškrabáť, na tento televízny prijímač nekladte žiadne predmety. Zobrazenie by mohlo byť nerovnomerné a mohla by sa poškodiť obrazovka LCD.
- Ak sa tento televízny prijímač používa na chladnom mieste, na zobrazení sa môžu prejavovať škvrny alebo obraz môže stmavnúť. Nie je to príznak poruchy. Po zvýšení teploty tieto javy zmiznú.
- Ak sa trvalo zobrazujú nepohyblivé zobrazenia, môžu sa prejavovať „duchovia“. Po niekoľkých okamihoch môžu zmiznúť.
- Pri používaní tohto televízneho prijímača sa obrazovka a skrínka môže zahrievať. Nie je to príznak poruchy.
- Obrazovka LCD obsahuje malé množstvo tekutých kryštálov. Pri likvidácii dodržiavajte platné nariadenia a predpisy.

Zaochádzanie s povrchom obrazovky a skrínkou televízneho prijímača a ich čistenie

Pred čistením sa presvedčíte, či je odpojený napájací kábel pripájací televízny prijímač k sieťovej zásuvke.

Aby ste predišli znehodnocovaniu materiálu alebo povrchu obrazovky, dodržiavajte nasledujúce preventívne zásady.

- Prach z povrchu obrazovky/skrínky utierajte jemne a mäkkou handričkou. Ak prach odoláva, utrite ho mäkkou handričkou jemne navlhčenou do rozriedeného roztoku neagresívneho čistiacieho prostriedku.
- Nikdy nestriekajte vodu ani čistiaci prostriedok priamo na televízor. Môže kvapkať na spodnú časť obrazovky alebo vonkajších častí a dostať sa do televízora, pričom môže spôsobiť poškodenie televízora.



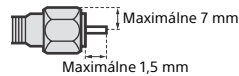
- Nikdy nepoužívajte abrazívne spongie, čističe obsahujúce lúh alebo kyselinu, prášok na riad ani prchavé rozpúšťadlá ako je alkohol, benzén, riedidlo alebo insekticíd. Použitie takýchto materiálov alebo dlhodobý kontakt s gumovými alebo vinylovými materiálmi môže spôsobiť poškodenie povrchu obrazovky a materiálu skrínky.
- Nedotýkajte sa televízneho prijímača, ak máte na rukách nejaké chemické látky, ako je krém na ruky alebo opaľovací krém.
- Na zaručenie dostatočného vetrania sa odporúča pravidelne povysávať vetracie otvory.
- Pri zmene uhla natočenia televízneho prijímača pohybujte prijímačom pomaly, aby nespadol zo stojana a neprevrhol sa.

Prídavné zariadenia

- Prídavné zariadenia a všetky ostatné zariadenia vyžarujúce elektromagnetické žiarenie nepribližujte k televíznomu prijímaču. Nedodržanie tejto podmienky môže spôsobiť deformáciu zobrazenia a/alebo šum vo zvuku.
- Toto zariadenie bolo testované a bolo zistené, že spĺňa limity stanovené v smernici EMC pri použití pripojovacieho signálového kábla kratšieho ako 3 metre.
- Toto zariadenie bolo testované a bolo zistené, že spĺňa limity stanovené v smernici EMC pri použití kábla RF kratšieho ako 30 metrov pre terestriálny/satelitný/CATV terminál.

Odporúčanie pre konektor typu F

Dĺžka vystupujúceho vnútorného drôtu z konektora musí byť menšia ako 1,5 mm.



(Referenčný obrázok pre konektor typu F)

Funkcia bezdrôtového pripojenia jednotky

- Toto zariadenie nepoužívajte v blízkosti lekárskeho prístroja (kardiostimulátor, atď.), lebo by mohlo dôjsť k poruche lekárskeho prístroja.
- Hoci, toto zariadenie vysiela/prijíma zakádané signály, dávajte pozor na neoprávnený príjem. Nenesieme žiadnu zodpovednosť za prípadné ťažkosti.
- Toto zariadenie by malo byť nainštalované a prevádzkované s dodržaním odstupej minimálne 20 cm medzi anténou tohto zariadenia a telom človeka.

Upozornenie týkajúce sa manipulácie s diaľkovým ovládačom

- Pri vkladaní batérií dodržiavajte ich polaritu.
- Nepoužívajte rôzne druhy batérií ani staré batérie s novými.
- Batérie zneškodňujte tak, aby neznečistovali životné prostredie. V niektorých krajinách môže byť zneškodňovanie batérií regulované. Obráťte sa na miestny úrad kvôli informáciám o zneškodňovaní.
- S diaľkovým ovládačom zaobchádzajte ochladuplne. Nenechajte ho padnúť, nestúpajte naň, nepolievajte ho žiadnymi tekutinami.
- Diaľkový ovládač nesmie byť položený v blízkosti zdroja tepla, na mieste vystavenom účinkom priameho slnečného svetla, ani vo vlhkej miestnosti.

Likvidácia televízneho prijímača



Likvidácia starých elektrických a elektronických prístrojov (vzťahuje sa na Európsku úniu a európske krajiny so systémami oddeleného zberu)

Tento symbol na výrobku alebo na jeho obale znamená, že výrobok nesmie byť spracovávaný ako komunálny odpad. Musí sa odovzdať do príslušnej zberne na recykláciu elektrických a

elektronických zariadení. Zaručením správnej likvidácie tohto výrobku pomôžete pri predchádzaní potenciálnych negatívnych dopadov na životné prostredie a na zdravie človeka, ktoré by mohli byť zapríčinené nevhodným zaobchádzaním s odpadmi z tohto výrobku. Recyklovaním materiálov pomôžete zachovať prírodné zdroje. Podrobnejšie informácie o recyklácii tohto výrobku vám na požiadanie poskytne miestny úrad, služba likvidácie komunálneho odpadu alebo predajňa, v ktorej ste si tento výrobok zakúpili.



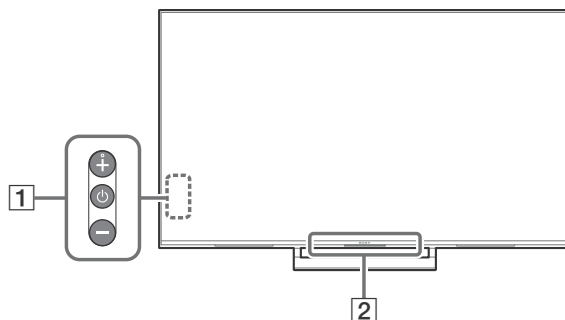
Zneškodňovanie použitých batérií (platí v Európskej únii a ostatných európskych krajinách so zavedeným separovaným zberom)

Tento symbol na batérii alebo obale znamená, že batéria dodaná s týmto výrobkom nemôže byť spracovaná s domovým odpadom. Na

niektorých batériách môže byť tento symbol použitý v kombinácii s chemickými značkami. Chemické značky ortute (Hg) alebo olova (Pb) sú pridané, ak batéria obsahuje viac ako 0,0005 % ortute alebo 0,004 % olova. Tým, že zaistíte správne zneškodnenie týchto batérií, pomôžete zabrániť potenciálne negatívne vplyvy na životné prostredie a ľudské zdravie, ktorý by v opačnom prípade mohol byť spôsobený pri nesprávnom nakladaní s použitou batériou. Recyklácia materiálov pomáha uchovávať prírodné zdroje. V prípade, že výrobok, ktorý si z dôvodu bezpečnosti, výkonu alebo integrity údajov vyžaduje trvalé pripojenie zabudovanej batérie, túto batériu môže vymeniť iba kvalifikovaný personál. Aby ste zaručili, že batéria bude správne spracovaná, odovzdajte tento výrobok na konci jeho životnosti na vhodnom zbernom mieste na recykláciu elektrických a elektronických zariadení. V prípade všetkých ostatných batérií, postupujte podľa časti, ako vybrať bezpečne batériu z výrobku. Odovzdajte batériu na vhodnom zbernom mieste na recykláciu použitých batérií. Ak chcete získať podrobnejšie informácie o recyklácii tohto výrobku alebo batérie, kontaktuje váš miestny alebo obecný úrad, miestnu službu pre zber domového odpadu alebo predajňu, kde ste výrobok zakúpili.

Súčasti a ovládacie prvky

Ovládacie prvky a indikátory



1 ⏻ (Napájanie) /+/-

Keď je TV vypnutý,

zapnete stlačením tlačidla ⏻.

Keď je TV zapnutý,

Na vypnutie stlačte a podržte ⏻.

Opakovaným stláčaním tlačidla ⏻ zmeníte funkciu, potom stláčaním tlačidla + alebo - môžete:

- Úprava hlasitosti.
- Výber kanála.
- Výber vstupného zdroja pre TV.

2 Snímač diaľkového ovládania* / Svetelný snímač* / Indikátor LED podsvietenia

Indikátor LED podsvietenia sa rozsvieti alebo bliká v závislosti od stavu TV prijímača.

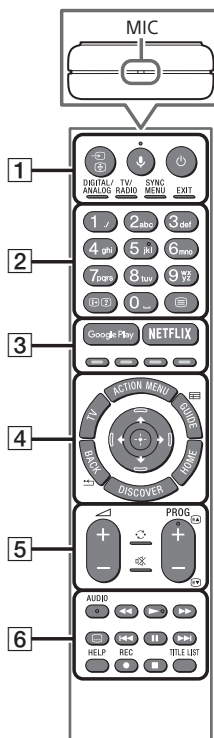
Viac informácií nájdete v dokumente Príručka.

* Do blízkosti snímača nič neumiestňujte.

Používanie diaľkového ovládača

Opis ovládacích prvkov diaľkového ovládača

Tvar diaľkového ovládača, umiestnenie, dostupnosť a funkcia tlačidla na diaľkovom ovládači sa môže líšiť v závislosti od oblasti/krajiny/modelu televízneho prijímača.



1 (Výber vstupu/Zmraziť text)

V režime TV: Zobrazenie a voľba zdroja vstupu.

V režime Text: Zmrazenie aktuálnej stránky.

(Mikrofón)

Použiť hlasovú funkciu. (Např. vyhľadať rôzny obsah hlasovým príkazom.)

(Pohotovostný režim TV prijímača)

Zapnúť alebo vypnúť televízny prijímač (pohotovostný režim).

DIGITAL/ANALOG

Prepínanie medzi digitálnym a analógovým režimom.

TV/RADIO

Prepínanie medzi televíznym vysielaním a vysielaním rádia.

SYNC MENU

Zobrazenie ponuky funkcie BRAVIA Sync.

EXIT

Návrat na predchádzajúcu obrazovku alebo ukončenie ponuky. Ak je k dispozícii služba s interaktívnou aplikáciou, stlačením službu ukončíte.

SK

2 Tlačidlá s číslami

/ (Zobrazenie informácií/textu)

Zobrazenie informácií.

(Text)

Zobrazenie textových informácií.

3 Google Play

Prístup k online službe „Google Play“.

NETFLIX (len v obmedzených oblastiach/krajínach/modeloch televíznych prijímačov)

Prístup k online službe „NETFLIX“.

Farebné tlačidlá

Vykonanie funkcie zodpovedajúcej v danom čase.

4 ACTION MENU

Zobraziť zoznam kontextových funkcií.

Tento zoznam môžete tiež zobraziť

TV

- Prepnutie na TV kanál alebo vstup z iných aplikácií.
- Zapnite televízny prijímač pre zobrazenie televízneho kanálu alebo vstupu.

GUIDE /

Zobrazenie digitálnej programovej príručky.

BACK /

Návrat na predchádzajúcu obrazovku.

HOME

Zobrazenie ponuky Domov TV prijímača.

DISCOVER

Zobrazenie panela s obsahom na vyhľadávanie obsahu.

/ / / / (Výber položky/Kláves Enter)

5 +/- (Hlasitosť)

Nastavenie hlasitosti.

(Prechod)


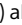
Stlačením prejdete dopredu alebo dozadu medzi dvomi kanálmi alebo vstupmi. TV prijímač prepína medzi aktuálnym kanálom alebo vstupom a posledným vybraným kanálom alebo vstupom.

(Stlmenie)

Stlmenie zvuku. Opätovným stlačením sa zvuk obnoví.

PROG +/- / /

V režime TV: Výber kanála.

V režime Text: Výber nasledujúcej () alebo predchádzajúcej () stránky.

6 **AUDIO**

Zmena jazyka aktuálne sledovaného kanála.

Ovládanie mediálneho obsahu v TV prijímači a v pripojenom zariadení kompatibilnom s funkciou BRAVIA Sync.

(Nastavenie titulkov)

Zapnutie alebo vypnutie titulkov (ak je táto funkcia k dispozícii).

HELP

Zobrazenie ponuky pomocníka. Odtiaľto je možné pristúpiť k príručke.

REC

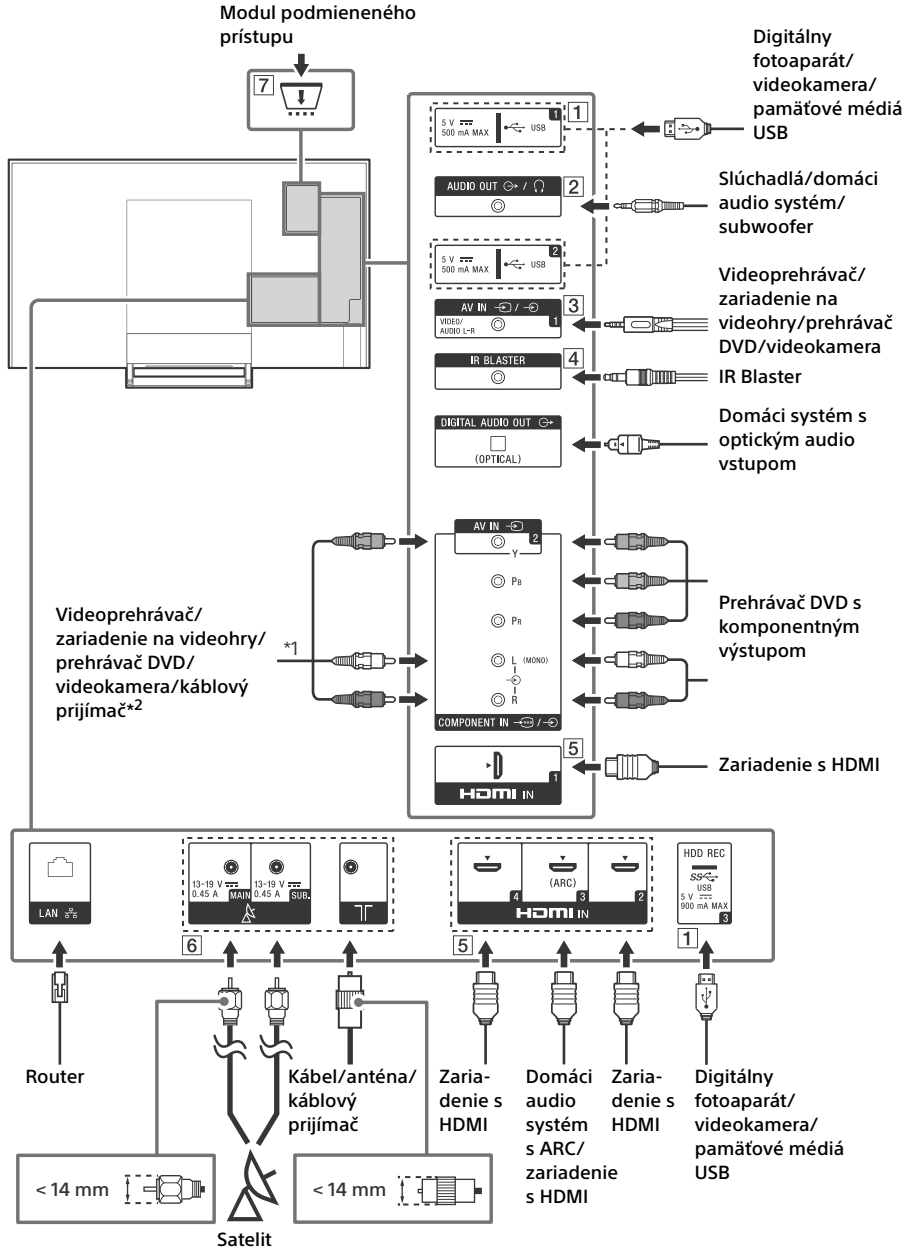
Nahratie aktuálneho programu pomocou funkcie nahrávania na zariadenie USB HDD.

TITLE LIST

Zobrazenie zoznamu titulov.

Schéma zapojenia

Viac informácií týkajúcich sa pripojení nájdete v dokumente Príručka stlačením tlačidla **HELP** na diaľkovom ovládači.



SK

1 **USB 1/2, USB 3 (HDD REC)*³**

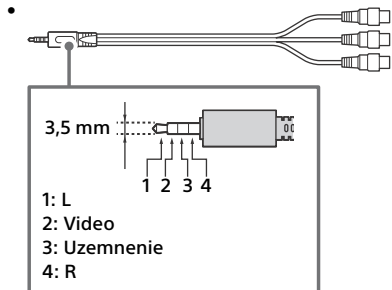
- Pripojenie veľkého zariadenia USB môže spôsobovať rušenie iných pripojených zariadení umiestnených vedľa tohto zariadenia.
- Veľké zariadenie USB pripojte do konektora USB 1.

2 **AUDIO OUT**

- Podporuje iba 3-pólový stereo mini konektor.
- Ak chcete počuť zvuk z TV prijímača cez pripojené zariadenie, stlačte tlačidlo **HOME**. Vyberte položky [Nastavenia] → [Zvuk] → [Výstup slúchadiel/audia] a potom vyberte požadovanú položku.

3 **AV IN 1**

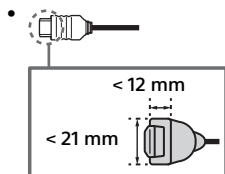
- Pre kompozitné pripojenie použite analógový predlžovací kábel (nedodáva sa).



4 **IR BLASTER*³**

5 **HDMI IN 1/2/3/4**

- Na pripojenie digitálneho audio systému, ktorý je kompatibilný s technológiou Audio Return Channel (ARC), použite konektor HDMI IN 3. Ak systém nie je kompatibilný, je potrebné ďalšie pripojenie prostredníctvom konektora DIGITAL AUDIO OUT (OPTICAL).



6 **(Satelitný vstup), (Vstup RF)**

- Pripojenia pre pozemné/káblové televízne vysielanie a satelitnú televíziu. Postup pripojenia: SUB. → Anténa → MAIN
- Pre SUB. konektor pripojte iba v prípade, že používate režim dvojitého tunera s výnimkou jednokábového rozvodu EN50494.

7 **CAM (Modul podmieneného prístupu)**

- Poskytujete prístup k plateným TV službám. Bližšie informácie nájdete v návode dodávanom spolu s modulom CAM.
- Inteligentnú kartu nekladajte priamo do slotu CAM TV prijímača. Musí sa vložiť do modulu podmieneného prístupu poskytnutého autorizovaným predajcom.
- Modul CAM nie je podporovaný vo všetkých krajinách/oblastiach. Poradte sa s autorizovaným predajcom.
- Keď po použití služby Internetové video prepnete na digitálny program, môže sa zobrazíť hlásenie modulu CAM.

*1 Monofónne zariadenia pripájajte k audio koncovke L (MONO).

*2 Na pripojenie externého zariadenia, ktoré má len SCART AV OUT, použite adaptér SCART-RCA.

*3 Len v obmedzených oblastiach/krajinách/modeloch TV prijímačov.

Montáž TV prijímača na stenu

Použitie voliteľnej montážnej konzoly na stenu

V tomto návode na používanie TV prijímača sú uvedené len kroky na prípravu montáže TV prijímača pred montážou na stenu.

Pre zákazníkov:

Z dôvodov ochrany produktu a bezpečnosti spoločnosť Sony odporúča, aby montáž TV prijímača vykonal predajcovia spoločnosti Sony alebo licencovaní dodávatelia. Nepokúšajte sa ho montovať sami.

Pre predajcov a dodávateľov Sony:

Počas montáže, pravidelnej údržby a kontroly tohto produktu venujte plnú pozornosť bezpečnosti.

Inštaláciu tohto výrobku musí vykonať odborný montér, ktorý je vyškolený, aby dokázal stanoviť únosnosť steny, či unesie hmotnosť televízneho prijímača. Ak počas inštalácie nebude správne zaistený, televízny prijímač môže spadnúť a spôsobiť vážne poranenie. Spoločnosť Sony nie je zodpovedná za žiadnu škodu ani poranenie spôsobené nesprávnou manipuláciou alebo nesprávnou inštaláciou či nainštalovaním iného než uvedeného výrobku. Vaše zákonné práva (ak nejaké máte) nie sú dotknuté.

Televízny prijímač namontujte na stenu pomocou montážnej konzoly na stenu SU-WL845 (nedodáva sa) (iba KD-75XE94xx, KD-65XE93xx), SU-WL840 (nedodáva sa) (iba KD-55XE93xx) alebo SU-WL450 (nedodáva sa) (iba KD-65/55XE93xx).

Počas montáže montážnej konzoly na stenu dodržiavajte aj pokyny v návode na obsluhu a v návode na inštaláciu dodanom s montážnou konzolou na stenu.

Poznámka

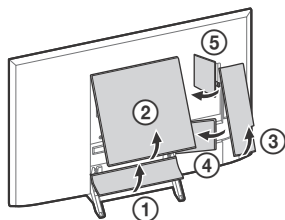
- Odskrutkované skrutky uložte na bezpečnom mieste mimo dosahu detí.
- Stena musí poskytovať dostatočný priestor pre televízny prijímač a musí uniesť hmotnosť rovnajúcu sa aspoň šiestinasobnej hmotnosti televízneho prijímača.



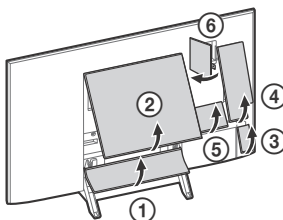
Pokyny na inštaláciu montážnej konzoly na stenu pre váš model televízora nájdete na nasledujúcej webovej stránke: www.sony.eu/tv/wall-mount-bracket-manual

Odmontujte kryt stojana a kryty konektorov.

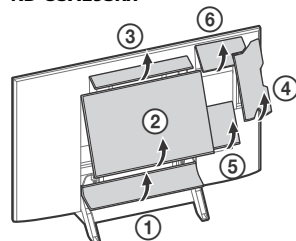
KD-75XE94xx



KD-65XE93xx



KD-55XE93xx

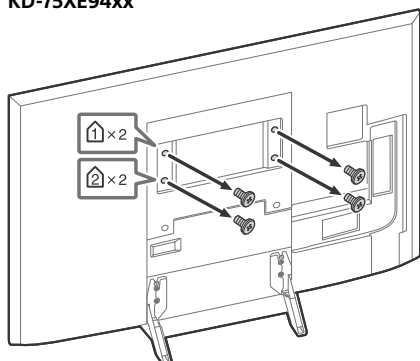


SK

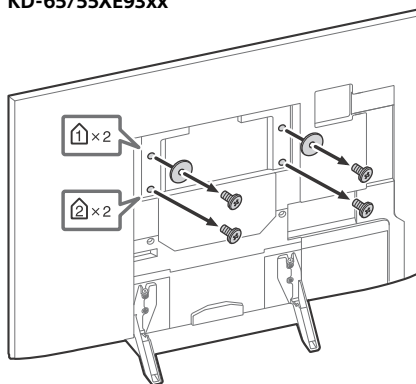
SU-WL845 (KD-75XE94xx, KD-65XE93xx), SU-WL840 (KD-55XE93xx)

Odmontujte skrutky zo zadnej časti televízneho prijímača.

KD-75XE94xx

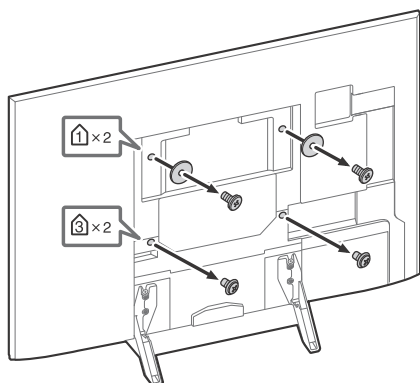


KD-65/55XE93xx

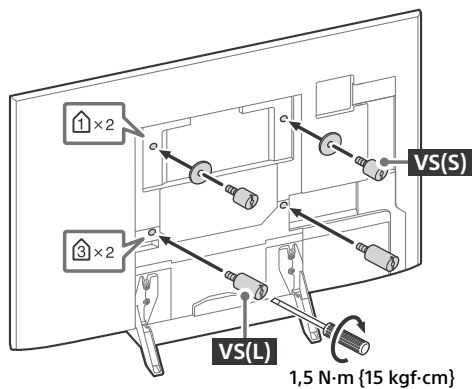


SU-WL450 (Len KD-65/55XE93xx)

1 Odmontujte skrutky zo zadnej časti televízneho prijímača.



- 2 Pripevnite nástavec pre montáž na stenu (dodaný s televíznym prijímačom) na zadnú časť televízneho prijímača (aby bol rovnobežne so stenou).



Poznámka

- Ak používate elektrický skrutkovač, nastavte krútiaci moment na približne 1,5 N·m {15 kgf·cm}.
- Uistite sa, že nástavec pre montáž na stenu je dotiahnutý, keď ho pripájate k televíznemu prijímaču. Pri montáži nástavca pre montáž na stenu používajte len ploché skrutkovače. Použitie iného nástroja by mohlo viesť k nadmernému utiahnutiu nástavca pre montáž na stenu a poškodeniu televízneho prijímača.

Len KD-75XE94xx, KD-55XE93xx

Televízor možno namontovať na montážnu konzolu na stenu (nedodáva sa) priamo po dodaní a rozbalení.

Pred pripojením káblov pripravte televízor na montáž montážnej konzoly na stenu..

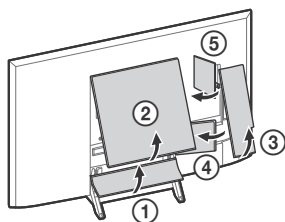
Inštaláciu tohto výrobku musí vykonať odborný montér, ktorý je vyškolený, aby dokázal stanoviť únosnosť steny, či unesie hmotnosť televízneho prijímača. Ak počas inštalácie nebude správne zaistený, televízny prijímač môže spadnúť a spôsobiť vážne poranenie. Spoločnosť Sony nie je zodpovedná za žiadnu škodu ani poranenie spôsobené nesprávnou manipuláciou alebo nesprávnou inštaláciou či nainštalovaním iného než uvedeného výrobku. Vaše zákonné práva (ak nejaké máte) nie sú dotknuté.

Spoločnosť Sony dôrazne odporúča pre ochranu produktu a z bezpečnostných dôvodov zveriť upevnenie televízneho prijímača na stenu kvalifikovaným odborníkom. Nepokúšajte sa televízny prijímač upevniť na stenu sami.

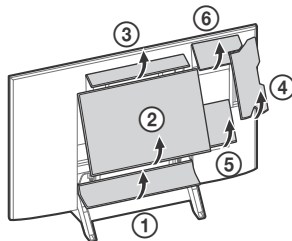
- Postupujte podľa návodu, ktorý je dodaný spolu s montážnou konzolou na stenu pre váš model.
- Nepoužívané skrutky a stolový stojan uchovávajte na bezpečnom mieste, kým nie ste pripravení na pripevnenie stolového stojana. Skrutky uchovávajte mimo dosahu detí.
- Stena musí poskytovať dostatočný priestor pre televízny prijímač a musí uniesť hmotnosť rovnajúcu sa aspoň šestnásobnej hmotnosti televízneho prijímača.

1 Odmontujte kryt stojana a kryty konektorov.

KD-75XE94xx

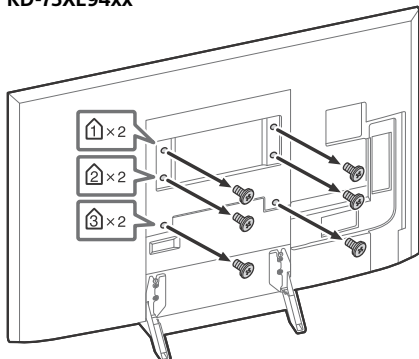


KD-55XE93xx

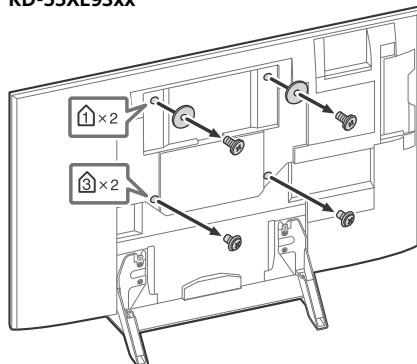


2 Odmontujte skrutky zo zadnej časti televízneho prijímača.

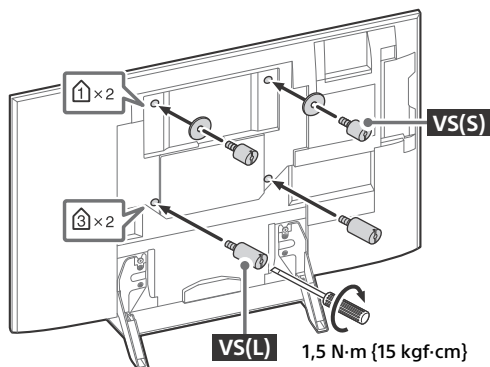
KD-75XE94xx



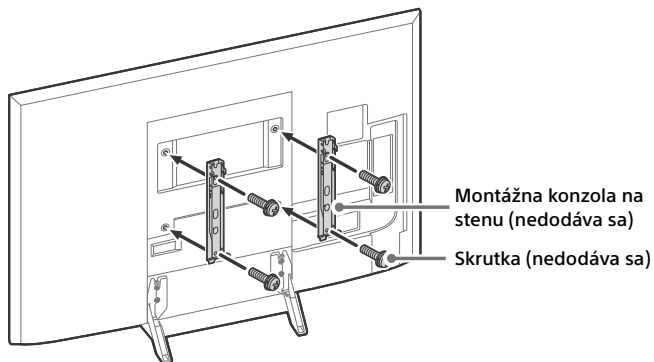
KD-55XE93xx



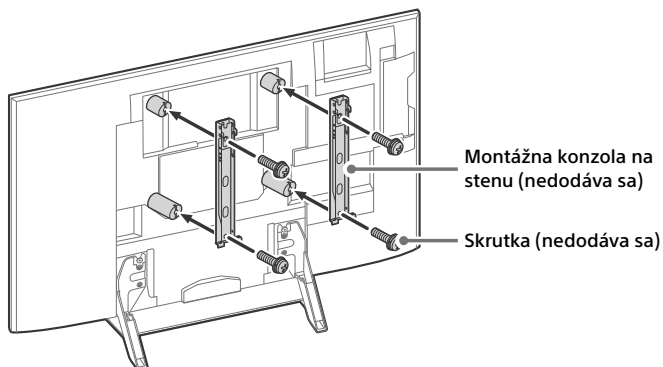
- 3** Pripevnite nástavec pre montáž na stenu (dodaný s televíznym prijímačom) na zadnú časť televízneho prijímača (aby bol rovnobežne so stenou). (Len KD-55XE93xx)



- 4** Pripevnite montážnu konzolu na stenu (nedodáva sa) pomocou skrutiek (nedodávajú sa).
KD-75XE94xx

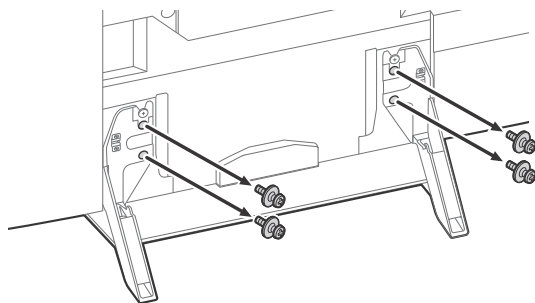


KD-55XE93xx



SK

5 Odpojte stojan na stôl od televízneho prijímača.



Poznámka

- Ak používate elektrický skrutkovač, nastavte krútiaci moment na približne 1,5 N·m (15 kgf·cm).
- Uistite sa, že nástavec pre montáž na stenu je dotiahnutý, keď ho pripájate k televíznemu prijímaču. Pri montáži nástavca pre montáž na stenu používajte len plochý skrutkovač. Použitie iného nástroja by mohlo viesť k nadmernému utiahnutiu nástavca pre montáž na stenu a poškodeniu televízneho prijímača.
- Niektoré držiačky káblov na zadnej strane televízneho prijímača nie je možné použiť, keď sa používa montážna konzola na stenu (nedodáva sa).

Riešenie problémov

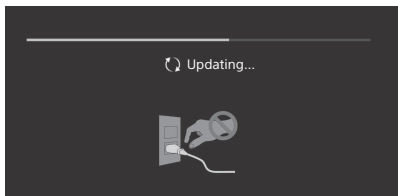
Všeobecné riešenie problémov, ako sú: čierna obrazovka, žiadny zvuk, zamrznutý obraz, televízny prijímač nereaguje alebo sa stratila sieť, vykonajte nasledujúce kroky.

- 1 Reštartujte televízny prijímač stlačením hlavného vypínača na diaľkovom ovládači, kým sa neobjaví hlásenie. Televízny prijímač sa reštartuje. Ak televízny prijímač nezačne fungovať, skúste odpojiť televízny prijímač od napájacieho kábla po dobu dvoch minút a potom ho opäť zapojte.
- 2 Pozrite ponuku pomocníka stlačením tlačidla **HELP** na diaľkovom ovládači.
- 3 Pripojte televízny prijímač na internet a vykonajte aktualizáciu softvéru.
- 4 Navštívte webovú lokalitu podpory spoločnosti Sony (informácie uvedené na zadnej strane obálky).

Keď sa zobrazí správa [Je dostupná nová aktualizácia softvéru systému TV...].

Spoločnosť Sony rozhodne odporúča aktualizovať softvér televízneho prijímača výberom položky [Aktualiz. teraz]. Tieto aktualizácie softvéru zlepšia výkon vášho televízneho prijímača alebo pridajú nové funkcie.

Zobrazí sa nasledujúca obrazovka so správou [Updating...] (Aktualizácia...) a počas aktualizácie softvéru bliká biela kontrolka LED.



Počas aktualizácie softvéru neodpájajte napájací kábel. Ak ho odpojíte, aktualizácia softvéru na nemusí úplne vykonať a môže dôjsť k nesprávnej funkcii softvéru. Aktualizácia softvéru môže trvať až 15 minút.

Keď televízny prijímač zapojíte, televízny prijímač sa možno nezapne, aj keď stlačíte tlačidlo hlavného vypínača na diaľkovom ovládači alebo na televíznom prijímači. Inicializácia systému trvá určitú dobu. Počkajte približne jednu minútu a potom to skúste znova.

Problémy a riešenia

Keď bliká kontrolka LED načerveno.

- Počítajte, koľko krát zabliká (časový interval je tri sekundy).
Televízny prijímač resetujte tak, že napájací kábel odpojíte na dve minúty a potom televízny prijímač znova zapnete.
Ak problém pretrváva, odpojte napájací kábel a kontaktujte predajcu alebo servisné stredisko spoločnosti Sony a uveďte počet bliknutí kontrolky LED.

Nie je možné prijať terestriálnu/káblovú službu.

- Skontrolujte, či je pripojená anténa/kábel, a nastavenie booster.
- Vyberte terestriálnu/káblovú službu stlačením tlačidla **DIGITAL/ANALOG** na diaľkovom ovládači. Ak sa vysielanie nezobrazí, stlačte tlačidlo **TV** a potom stlačte tlačidlo **DIGITAL/ANALOG**.
- Terestriálny signál môže byť potlačený, ak je v blízkosti iný silný signál. V nastavení digitálneho ladenia nastavte [LNA (K ---)] na [Vyp.].
- Po presťahovaní do nového domu alebo keď sa snažíte prijať novú službu, pokúste sa o vyhľadanie služby výberom [Digitálne ladenie].

Nie je možné prijať satelitnú službu.

- Skontrolujte pripojenie satelitného kábla.
- Keď sa objaví správa [Žiadny signál. Zistené preťaženie LNB...], odpojte napájací kábel. Potom skontrolujte, či nie je satelitný kábel poškodený a či vedenie satelitného signálu nemá skrat v satelitnom konektore.

Diaľkový ovládač nefunguje.

- Vymeňte batérie.

Heslo rodičovského zámku pre vysielanie bolo zabudnuté.

- Zadajte ako kód PIN 9999 a vyberte [Zmeniť PIN kód].

Okraj televízneho prijímača sa zahrieva.

- Keď sa televízny prijímač používa dlhšiu dobu, okraj televízneho prijímača je teplejší.
Môžete to cítiť, keď sa ho dotknete rukou.

SK

Technické parametre

Systém

Systém panela

Panel LCD (displej s tekutými kryštálmi),
Podsvietenie LED

Systém televízneho vysielania

V závislosti od výberu krajiny a regiónu/modelu
televízneho prijímača
Analogový: B/G, D/K, I
Digitálny: DVB-T/DVB-C
DVB-T2*
Satelit*: DVB-S/DVB-S2

Systém farieb

PAL, SECAM, NTSC3.58 (len video), NTSC4.43
(len video)

Kanálový rozsah

V závislosti od výberu krajiny a regiónu/modelu
televízneho prijímača
Analogový: UHF/VHF/káblový
Digitálny: UHF/VHF/káblový
Satelit*: Medzifrekvencia 950-2 150 MHz

Zvukový výstup

KD-75XE94xx, KD-65XE93xx: 10 W + 10 W + 10 W +
10 W + 10 W + 10 W
KD-55XE93xx: 5 W + 5 W + 10 W + 10 W + 10 W +
10 W

Bezdrôtová technológia

Protokol IEEE802.11ac/a/b/g/n
(IEEE802.11ac nemusí byť dostupné v závislosti od
krajín alebo regiónov.)
Bluetooth verzia 4.1
Frekvenčné pásmo/pásmo: WLAN 2,4 GHz/5 GHz,
Bluetooth 2,4 GHz
Vysielač rádiový výkonu: 100 mW MAX

Verzia TV softvéru:

PKG_..._...EUA
Na zistenie verzie softvéru stlačte tlačidlo **HELP**
na diaľkovom ovládači.

* Nie všetky televízne prijímače majú technológiu
DVB-T2 alebo DVB-S/S2 alebo konektor pre satelitnú
anténu.

Vstupné a výstupné konektory

Anténa/kábel

75 Ohmov, externý konektor pre VHF/UHF

Satelitná anténa

Konektor samica typu F, 75 Ohmov.
DiSEqC 1.0, LNB 13 V/18 V a tón 22 kHz, Káblový
rozvod EN50494.

AV IN 1

Vstup video/audio (mini konektor)

COMPONENT IN

YPbPr (Komponentné video): 1080p (50, 60 Hz),
1080i (50, 60 Hz), 720p (50, 60 Hz), 576p, 576i,
480p, 480i
Vstup Audio (kolíkové konektory)

AV IN 2

Vstup video (spoločný konektor fono so vstupom
Y)

HDMI IN 1, 2, 3, 4 (podpora rozlíšenia 4K,
HDCP 2.2 - kompatibilné)

Video:

4096 × 2160p (50, 60 Hz)*1*2, 4096 × 2160p
(24 Hz)*1, 3840 × 2160p (50, 60 Hz)*2,
3840 × 2160p (24, 25, 30 Hz), 1080p (30, 50,
60 Hz), 1080/24p, 1080i (50, 60 Hz), 720p (30,
50, 60 Hz), 720/24p, 576p, 576i, 480p, 480i,
Formáty PC

*1 Keď je vstup 4096 × 2160 pixelov, zobrazené je
3840 × 2160 pixelov.

*2 Iba HDMI IN 2 / 3.

Zvuk: 5,1 lineárny kanál PCM: 32, 44,1, 48, 88,2, 96,
176,4 a 192 kHz, 16, 20 a 24 bitov, Dolby Digital,
Dolby Digital Plus a DTS

ARC (Audio Return Channel) (iba HDMI IN 3)
(dvojkanálový lineárny PCM: 48 kHz, 16 bitov,
Dolby Digital, Dolby Digital Plus, DTS)


DIGITAL AUDIO OUT (OPTICAL)

Digitálny optický konektor (dvojkanálový lineárny
PCM: 48 kHz, 16 bitov, Dolby Digital, DTS)

AUDIO OUT (stereo mini konektor)


Slúchadlo, výstup zvuku, subwoofer

1, 2, 3 (HDD REC)*1

Port v zariadení USB ( 3 zariadenie USB
HDD pre funkciu REC (Nahrávanie))
USB port 1 a 2 podporujú vysokorýchlostné
pripojenie USB (USB2.0).
USB port 3 podporuje super vysokorýchlostné
pripojenie USB (USB3.0).

Slot CAM (modul pre podmienený prístup)

Konektor 10BASE-T/100BASE-TX (V závislosti od
prevádzkového prostredia siete sa môže rýchlosť
pripojenia meniť. Rýchlosť a kvalita komunikácie
10BASE-T/100BASE-TX nie je pre tento TV prijímač
zaručená.)

 DC IN 24 V (iba modely s dodaným
sieťovým adaptérom)

Vstup pre sieťový adaptér

IR BLASTER*1

Vstup pre kábel IR Blaster (kolíkový minikonektor)

Iné

Doplňkové príslušenstvo

Montážna konzola na stenu: SU-WL845
(Len KD-75XE94xx, KD-65XE93xx)

Montážna konzola na stenu: SU-WL840
(Len KD-55XE93xx)

Montážna konzola na stenu: SU-WL450
(Len KD-65/55XE93xx)

Prevádzková teplota

0 °C – 40 °C

Prevádzková vlhkosť

10 % – 80 % RH (nekondenzovaná)

Napájanie, informácie o produkte a ďalšie

Požiadavky na napájanie

okrem modelu s dodávaným sieťovým adaptérom
220 V – 240 V striedavého prúdu, 50 Hz

iba modely s dodávaným sieťovým adaptérom

24 V jednosmerný prúd so sieťovým adaptérom
Menovitý výkon: Vstup 220 V – 240 V striedavého
prúdu, 50 Hz

Trieda energetickej efektívnosti

KD-75XE94xx: B

KD-65XE93xx: A

KD-55XE93xx: B

Rozmery obrazovky (merané diagonálne)

(Približne)

KD-75XE94xx: 189,3 cm / 75 palcov

KD-65XE93xx: 163,9 cm / 65 palcov

KD-55XE93xx: 138,8 cm / 55 palcov

Príkon

v režime [Štandardný]

KD-75XE94xx: 298 W

KD-65XE93xx: 164 W

KD-55XE93xx: 137 W

v režime [Živý]

KD-75XE9405: 495 W

KD-65XE9305: 294 W

KD-55XE9305: 227 W

Priemerná ročná spotreba energie*2

KD-75XE94xx: 413 kWh

KD-65XE93xx: 227 kWh

KD-55XE93xx: 190 kWh

Príkon v pohotovostnom režime*3*4

0,50 W (27 W v režime aktualizácie softvéru/EPG)

Rozlíšenie displeja

3 840 bodov (vodorovne) × 2 160 riadkov (zvisle)

Menovitý výkon

USB 1/2: 5 V, ---, max. 500 mA

USB 3: 5 V, ---, max. 900 mA

Rozmery (Približne) (š × v × h)

vrátane stolového stojana

KD-75XE94xx: 167,3 × 103,7 × 32,5 cm

KD-65XE93xx: 145,1 × 91,3 × 29,5 cm

KD-55XE93xx: 123,2 × 79,0 × 28,2 cm

bez stolového stojana

KD-75XE94xx: 167,3 × 96,2 × 6,2 cm

KD-65XE93xx: 145,1 × 83,8 × 3,9 cm

KD-55XE93xx: 123,2 × 71,5 × 4,0 cm

Hmotnosť (Približne)

vrátane stolového stojana

KD-75XE94xx: 47,6 kg

KD-65XE93xx: 42,4 kg

KD-55XE93xx: 32,6 kg

bez stolového stojana

KD-75XE94xx: 42,8 kg

KD-65XE93xx: 38,2 kg

KD-55XE93xx: 28,6 kg

*1 Len v obmedzených oblastiach/krajinách/modeloch TV prijímačov.

*2 Spotreba energie za rok; táto hodnota platí pre spotrebu energie v prípade televízneho prijímača, ktorý bude používaný 4 hodiny denne počas 365 dní. Skutočná spotreba energie bude závisieť na spôsobe používania televízneho prijímača.

*3 Uvedený príkon v pohotovostnom režime sa dosiahne, keď televízny prijímač dokončí nevyhnutné vnútorné procesy.

*4 Spotreba elektrickej energie v pohotovostnom režime sa zvýši po pripojení televízora k sieti.

Poznámka


- Neodstraňujte kryt zo slotu CAM (modul pre podmienený prístup) televízneho prijímača okrem prípadu, že do slotu CAM chcete vložiť kartu Smart Card.
- Dostupnosť voliteľného príslušenstva závisí od krajiny/regiónu/modelu TV prijímača/zásob.
- Dizajn a špecifikácie sa môžu zmeniť bez oznámenia.

Poznámky k funkcii Digital TV

- Digitálna TV (terestriálne, satelitné a káblové DVB), interaktívne služby a sieťové funkcie nemusia byť dostupné vo všetkých krajinách alebo oblastiach. Niektoré funkcie nemusia byť aktivované alebo nemusia fungovať správne u niektorých poskytovateľov alebo v sieťových prostrediach. Niektorí poskytovatelia TV služieb môžu za svoje služby účtovať poplatok.
- Táto TV podporuje digitálne vysielanie s použitím kodekov MPEG-2, H.264/MPEG-4 AVC a H.265/HEVC, ale nie je možné zaručiť kompatibilitu so signálmi všetkých operátorov/služieb, ktoré sa môžu v priebehu času meniť.

Informácie o ochranných známkach

- Výrazy HDMI a HDMI High-Definition Multimedia Interface a logo HDMI sú ochranné známky alebo registrované ochranné známky spoločnosti HDMI Licensing LLC v USA a iných krajinách.
- Vyrobené na základe licencie od spoločnosti Dolby Laboratories. Dolby, Dolby Audio a dvojitý symbol D sú obchodné značky spoločnosti Dolby Laboratories.
- „BRAVIA“ a BRAVIA sú ochranné známky spoločnosti Sony Corporation.
- Gracenote, Gracenote eyeQ, Gracenote VideoID, Gracenote Video Explore, logo a logotyp Gracenote a logo „Powered by Gracenote“ sú registrované ochranné známky alebo ochranné známky spoločnosti Gracenote v USA a/alebo v iných krajinách.
- Opera® Devices SDK. Copyright 1995-2016 Opera TV AS. All rights reserved.
- Logo Wi-Fi, Wi-Fi Direct, Miracast, Wi-Fi Protected Setup a Wi-Fi CERTIFIED sú ochranné známky alebo registrované ochranné známky združenia Wi-Fi Alliance.
- Informácie o patentoch DTS nájdete na adrese <http://patents.dts.com>. Vyrobené na základe licencie od spoločnosti DTS, Inc. DTS, symbol a DTS a symbol znázornené spolu sú registrované ochranné známky a DTS Digital Surround je ochranná známka spoločnosti DTS, Inc. © DTS, Inc. Všetky práva vyhradené.
- Slovná značka a logá Bluetooth® sú registrované ochranné známky vlastnené spoločnosťou Bluetooth SIG, Inc. a akékoľvek použitie týchto značiek zo strany spoločnosti Sony Corporation sa realizuje na základe licencie. Ostatné ochranné známky a obchodné názvy sú vlastníctvom príslušných vlastníkov.
- DiSEqC™ je ochranná známka spoločnosti EUTELSAT. Tento TV prijímač podporuje DiSEqC 1.0. Tento TV prijímač nie je určený pre kontrolné motorizované antény.
- TUXERA je registrovaná ochranná známka spoločnosti Tuxera Inc. registrovaná v USA a iných krajinách.

- Logo USB-IF SuperSpeed USB Trident je registrovaná ochranná známka spoločnosti USB Implementers Forum, Inc. 

Tartalomjegyzék

FONTOS FIGYELMEZTETÉS	2
Biztonsági előírások	3
Övintézkedések	6
Alkatrészek és vezérlőelemek	8
Vezérlők és szimbólumok	8
A távvezérlő használata	9
A távvezérlő működési leírása	9
Csatlakoztatási ábra	11
A tv felszerelése a falra	13
Az opcionális fali konzol használata	13
SU-WL845 (KD-75XE94xx, KD-65XE93xx), SU-WL840 (KD-55XE93xx)	14
SU-WL450 (Csak a KD-65/55XE93xx esetén)	14
Csak a KD-75XE94xx, KD-55XE93xx esetén	16
Hibaelhárítás	19
Problémák és megoldások	19
Műszaki adatok	20

Internetkapcsolat és adatvédelem

Ez a termék a kezdeti beállítás alatt csatlakozik az internethez, amint van hálózati kapcsolata, egyrészt az internetkapcsolat ellenőrzésére, később pedig a Kezdőképernyő konfigurálására. A rendszer erre a célra, és minden más internetkapcsolathoz is használja az IP-címét. Ha azt szeretné, hogy a rendszer egyáltalán ne használja az IP-címét, ne állítsa be a vezeték nélküli internet funkciót, és ne csatlakoztasson internetkábel. Az internetkapcsolatokra vonatkozó további információkért tekintse meg a beállítási képernyőn található adatvédelmi információkat.

Bevezetés

Köszönjük, hogy ezt a Sony terméket választotta. Kérjük, mielőtt üzembe helyezi a készüléket, olvassa el figyelmesen ezt a használati utasítást, és őrizze meg, mert a későbbiekben is szüksége lehet rá.

Megjegyzés

- Kérjük, hogy a tv használata előtt olvassa el a következőt: „Biztonsági előírások” (3. oldal).
- A Beállítási útmutatóban, valamint az ebben az útmutatóban szereplő képek és ábrák csak tájékoztató célokra szolgálnak, és eltérhetnek a valós terméktől.
- A modellnévben szereplő „xx” a kialakításra, a színváltozatra vagy a televízió-rendszerre vonatkozó számjegyeket felel meg.

A Beállítási útmutató helye

A Beállítási útmutató a tv kartondobozában, a párnázás tetején található.

Súgó/Súgóútmutató

A Súgó funkció számos információt nyújt a TV-készülekről. A Súgó használatához nyomja meg a távvezérlő **HELP** gombját. A „Mi a teendő” és hibabehatárolási információkat a listában, vagy kulcsszavas kereséssel találhatja meg. A Súgó menüben a [Súgóútmutató] menüpontot választva megtekintheti a kézikönyvet. Ha a TV-készülékét az internetre csatlakoztatja, akkor a Súgó szolgáltatás és az információk frissítődnek.

Az azonosító címke helye

A típusszám, a gyártási idő (év/hónap) és az áramellátás típusának címkeje a televízió hátulján vagy a csomagolásban található. Ezek az állványborítás és a központi borítás eltávolítása után válnak láthatóvá.

Hálózati adapterrel kiegészített modellek:

A hálózati adapter típuszáma és sorozatszámja a hálózati adapter alján olvasható.

FIGYELMEZTETÉS

A TŰZ TERJEDÉSÉNEK
MEGELŐZÉSE
ÉRDEKÉBEN TARTSA TÁVOL A
GYERTYÁKAT ÉS AZ ÖSSZES
EGYÉB NYÍLT LÁNGOT A
TERMÉKTŐL.



FONTOS FIGYELMEZTETÉS

Ezt a terméket a Sony Corporation (1-7-1 Konan Minato-ku Tokió, 108-0075 Japán), vagy megbízottja gyártotta. Az Európai Unió jogszabályai alapján a termékbiztonsággal kapcsolatban a Sony Belgium, bijkantoor van Sony Europe Limited (Da Vincilaan 7-D1, 1935 Zaventem, Belgium) a jogosult képviselő. Kérjük, bármely szervizeléssel vagy garanciával kapcsolatban ügyben, a különálló szerviz- vagy garanciaadokumentumokban megadott címekhez forduljon.

Megjegyzés a rádióberendezéssel kapcsolatban



A Sony Corporation ezennel kijelenti, hogy a KD-75XE9405, KD-65XE9305, KD-55XE9305 rádióberendezés-típus megfelel az 1999/5/EK irányelv legfontosabb követelményeinek és más vonatkozó rendelkezéseinek. A részletekért látogasson el a következő URL-címre: <http://www.compliance.sony.de/>
Ez a rádióberendezés a rádiófrekvenciákra érvényes előírások megszegése nélkül működtethető az EU területén.

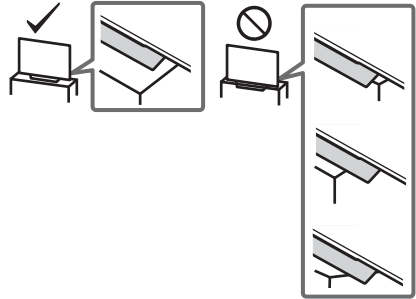
Megjegyzés a felhasználók számára: a következő tájékoztatás az EU irányelveit alkalmazó országokban értékesített készülékekre vonatkozik.

A vezeték nélküli tv-rendszer csak a következő országokban használható:

AT, BE, HR, CY, CZ, DK, EE, FI, FR, DE, EL, HU, IE, IT, LV, LT, LU, MT, NL, PL, PT, SK, SI, ES, SE, UK, IS, LI, NO, CH, BG, RO, TR, AL, BA, MK, MD, RS, ME, Kosovo

Ez a készülék más, Európán kívüli országokban is használható.

- Helyezze el úgy a tv-készüléket, hogy a tv asztali állványa ne lógjon túl a tv-állványon (nincs mellékelve). Ha az asztali állvány túlóg a tv-állványon, az a tv-készülék eldőlését vagy leesését okozhatja, ami személyi sérülést vagy a tv megrongálódását eredményezheti.



- A készülék falra szerelését szakemberrel végeztesse.
- Biztonsági okokból, határozottan javasolt az eredeti Sony tartozékok használata, közöttük a következők:
 - Fali konzol SU-WL845 (Csak a KD-75XE94xx, KD-65XE93xx esetén)
 - Fali konzol SU-WL840 (Csak a KD-55XE93xx esetén)
 - Fali konzol SU-WL450 (Csak a KD-65/55XE93xx esetén)
- A fali konzolt a fali konzolhoz mellékelt csavarokkal rögzítse a tv-készülékhez. A mellékelt csavarok kialakítása az ábrának megfelelő, a fali konzol csatlakozófelületétől mérve. A csavarok hossza és átmérője a fali konzol modelljétől függően különböző.
- A mellékelt csavarok helyett más csavarok használata a tv-készülék belső sérülését eredményezheti, illetve a készülék leesését stb. okozhatja.
 - Opcionális fali konzol (Csak a SU-WL845, SU-WL840 esetén) Felső oldal

Biztonsági előírások

FIGYELMEZTETÉS

Az elemeket ne tegye ki túlságosan magas hőmérsékletnek, például napfénynek, tűznek vagy hasonló hatásnak. Soha ne helyezze a televíziókészüléket instabil helyre. A televíziókészülék leeshet, és komoly személyi sérüléseket vagy halált okozhat. Sok sérülés (különösképp a gyermekek esetében) elkerülhető néhány egyszerű óvintézkedés betartásával, például:

- A televíziókészülék gyártója által ajánlott szerelvényeket és állványokat használja.
- Csak olyan bútorokat használjon, amelyek lehetővé teszik a televíziókészülék biztonságos alátámasztását.
- Győződjön meg róla, hogy a tévékészülék nem lóg túl az alátámasztó bútor peremén.
- Ne helyezze a televíziókészüléket magas bútorokra (például magas szekrényekre vagy könyvespolcokra) mind a bútor, mind a televíziókészülék megfelelő rögzítése nélkül.
- Ne helyezzen a televíziókészülék és az alátámasztó bútor közé textil- vagy egyéb anyagokat.
- Magyarázza el a gyermekeknek, hogy milyen veszélyekkel járhat, ha felmásznak a bútorra a televíziókészülék vezérlőinek eléréséhez.

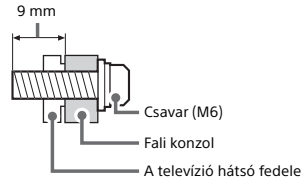
Abban az esetben is vegye figyelembe a fenti szempontokat, ha a meglévő televíziókészülékét megtartja és áthelyezi.

Üzembe helyezés, beállítás

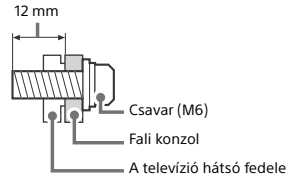
Tűz, áramütés, anyagi kár vagy sérülés elkerülése érdekében a tv-készüléket az alábbi utasításoknak megfelelően helyezze üzembe és használja.

Üzembe helyezés

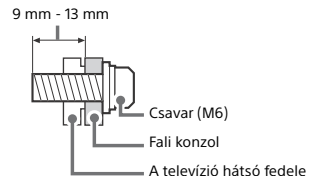
- A tv-készüléket egy könnyen elérhető hálózati aljzat közelébe helyezze.
- Helyezze a tv-készüléket stabil, sík felületre, hogy megelőzze annak leesését, ami személyi sérülést, vagy a tulajdon megrongálódását okozhatja.
- Helyezze a tv-készüléket egy olyan helyre, ahonnan nem lehet lerántani, lelökni vagy feldönteni.



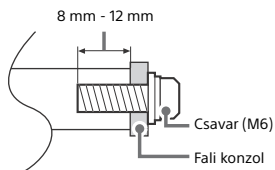
Alsó oldal



- Opcionális fali konzol (Kivéve SU-WL845, SU-WL840) KD-75XE94xx

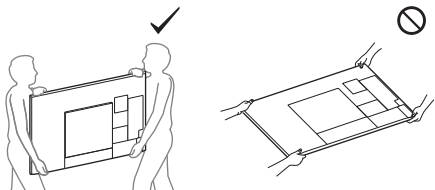


KD-65/55XE93xx

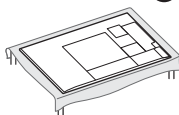


Szállítás

- A készülék szállítása előtt szüntesse meg a készülék összes csatlakozását.
- A készülék szállításához legalább két ember szükséges.
- Ha kézzel szállítja a tv-készüléket, akkor azt az alábbi ábra szerint kell megfogni. Ne gyakoroljon nyomást az LCD-képernyőre és a képernyőt körülvevő keretre.

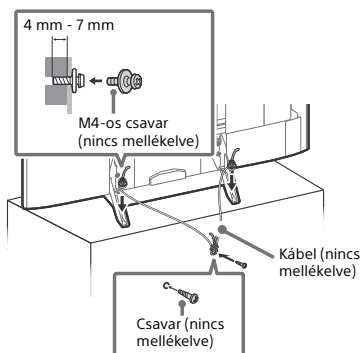
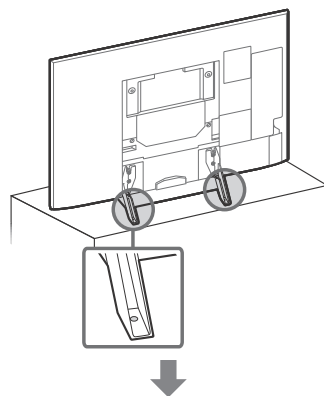


- A mozgatás vagy felszerelés során ne fektesse le a TV-t.



- Amikor szállítja a készüléket, ne tegye ki ütődésnek vagy erős rázkódásnak.
- Ha a készüléket szervizbe szállítja vagy költözködik, mindig csomagolja vissza az eredeti dobozába.

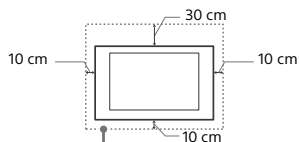
A felborulás megakadályozása



Szellőzés

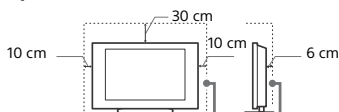
- Soha ne takarja el a készülék szellőzőnyílásait, illetve ne tegyen semmit a készülékbe.
- Az alábbi ábrán látható mértékű helyet hagyjon a készülék körül.
- Határozottan javasolt Sony fali konzol használata, a megfelelő szellőzés biztosítása érdekében.

Falra szerelve



Legalább ennyi helyet hagyjon a készülék körül.

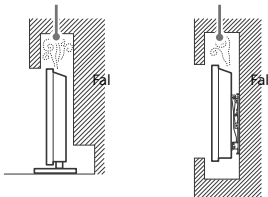
Állványon történő használat esetén



Legalább ennyi helyet hagyjon a készülék körül.

- A megfelelő szellőzés biztosítása, és por vagy szennyeződés felhalmozódásának megelőzése érdekében:
 - Ne üzemeltesse a készüléket a hátra vagy az oldalára fordítva.
 - Ne üzemeltesse a készüléket zárt polcon, ágyra vagy takaróba helyezve, illetve szekrényben.
 - Ne takarja le a készüléket függőnnyel vagy hasonló textíliával, illetve újsággal vagy hasonló anyaggal.
 - Ne üzemeltesse a készüléket az alábbi módokon.

A légáramlás gátolt.



Hálózati csatlakozóvezetékek

A tűz, áramütés, anyagi kár vagy sérülés elkerülése érdekében a hálózati csatlakozóvezetéseket az alábbi utasításoknak megfelelően használja:

- Csak a Sony által gyártott hálózati csatlakozóvezetéseket használjon, ne használja más gyártókat.
- Ütközésig tolja a csatlakozódugaszt a hálózati aljzatba.
- A tv-készüléket csak 220 V – 240 V-os váltóáramú hálózatról üzemeltesse.
- Egyéb vezetékek csatlakoztatása előtt, a biztonság érdekében, mindig húzza ki a hálózati csatlakozóvezetéseket.
- Ügyeljen rá, hogy lábai ne akadjanak a vezetékekbe. Húzza ki a hálózati csatlakozóvezetéseket a hálózati aljzatról, mielőtt a készüléket áthelyezi vagy mozgatja azt.
- A hálózati csatlakozóvezetéseket tartsa távol mindenféle hőforrástól.
- Rendszeresen húzza ki és tisztítsa meg alaposan a csatlakozódugaszt. Ha a dugasz beszenyeződik, az magába szívhajthatja a nedvességet, ami a szigetelési tulajdonságok romlásához vezethet, és ez tüzet okozhat.

Megjegyzés

- A mellékelt hálózati csatlakozóvezetéseket ne használja más készülékhez.
- A vezetéket nem szabad túlzott mértékben megszorítani, meghajlítani vagy megcsavarni. A belső érpár csuszaszolódhat vagy elszakadhat.
- A hálózati csatlakozóvezetéseket nem szabad átalakítani.
- Ne helyezzen semmilyen nehéz tárgyat a hálózati csatlakozóvezetésekre.
- Kihúzásnál soha ne magát a vezetéket húzza, hanem a csatlakozódugaszt.
- Ügyeljen arra, hogy ne csatlakoztasson túl sok készüléket ugyanahhoz a hálózati aljzathoz.
- Soha ne használjon szakszerűtlen felszerelt hálózati aljzatot.

FIGYELMEZTETÉS A HÁLÓZATI CSATLAKOZÓRA VONATKOZÓAN (csak a hálózati adapterrel rendelkező modellekre vonatkozik)

Figyelmeztetés

A tűz és áramütés veszélyének csökkentése érdekében ne tegye ki a készüléket esőnek vagy nedvességnek.

A tűz vagy áramütés megelőzése érdekében ne tegyen a készülékre folyadékkal telt tárgyat, például vázát. A berendezést ne helyezze üzembe szűk helyeken, például könyvespolcon vagy hasonló szekrényben.

- A készüléket egy könnyen elérhető hálózati aljzat közelébe helyezze.
- A mellékelt hálózati csatlakozót és hálózati csatlakozóvezetéseket használja.
- Ne használjon más hálózati csatlakozót. Ez meghibásodást okozhat.
- A hálózati csatlakozót könnyen elérhető hálózati aljzatra csatlakoztassa.

- A hálózati csatlakozóvezetéseket ne csavarja a hálózati adapter köré. A belső vezetők elszakadhatnak, és a médiavevő hibás működését okozhatja.



- Ne érintse nedves kézzel a hálózati csatlakozót.
- Ha a hálózati csatlakozó működésében rendellenességet tapasztal, azonnal válassza le a hálózati aljzatról.
- A készülék addig nincs áramtalanítva, amíg a hálózati aljzatra csatlakozik, akkor sem, ha magát a készüléket kikapcsolta.
- Mivel a hálózati csatlakozó a hosszú használat során felmelegszik, előfordulhat, hogy a kezével forrónak érzi.

Tilos a készülék használata!

Ne helyezze üzembe, és ne használja a tv-készüléket az alábbiakban felsorolt helyeken, környezetekben vagy alkalmakkor. Ellenkező esetben a készülék meghibásodhat, tüzet, áramütést, anyagi kárt vagy sérülést okozhat.

Elhelyezés:

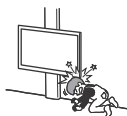
- Kültéren (közvetlen napsugárzásnak kitett helyen), tengerparton, hajón vagy más vízi járművön, járműben, egészségügyi intézményekben, instabil helyen, víz közelében, esőben, nedves vagy füstös környezetben tilos.

Környezet:

- Forró, páras vagy túlzottan poros környezetben; ahol rovarok juthatnak a belsejébe; ahol rázkódásnak van kitéve, gyúlékony anyagok (pl. gyertya stb.) közelében. Ne tegye ki a tv-készüléket csepegtető vagy fröccsenő víz hatásának, és ne helyezzen vizet telt tárgyakat (pl. vázát) a tv-készülékre.

Alkalmom:

- Ne használja nedves kézzel, eltávolított készülékházzal, vagy olyan kiegészítő berendezésekkel, amelyet a gyártó nem javasolt. Villámzással kísért vihar esetén húzza ki a készüléket a hálózati aljzatról, és távolítsa el az antennavezetéseket is.
- Oly módon, hogy tv valamelyik sarka kilógjon, és az akadályozza a közlekedést. Ez a televíziókészülék károsodását vagy személyi sérülést okozhat, ha egy személy vagy tárgy beleütközik.



- Páras vagy poros helyen, vagy olyan helyiségben, ahol olajos füstnek vagy gőznek lenne kitéve a tv-készülék (főzőasztalok vagy párológatók közelében). Ez tűzhez, áramütéshez vagy a készülék elgőrbüléséhez vezethet.
- Ahol szélsőséges hőmérsékletnek, például közvetlen napsütésnek lenne kitéve a tv-készülék, vagy fűtőttest vagy meleglevegő-befúvó közelében. Ilyen esetben a televíziókészülék túlmelegedhet, a burkolata deformálódhat és/vagy a televíziókészülék meghibásodhat.



- Ha a televíziókészüléket egy nyilvános fürdő vagy termálvíz öltözőjében szerelik fel, a televíziókészüléket károsíthatja a levegőben megtalálható kén és más anyagok.



- A legjobb képmínőség érdekében ne tegye ki a képernyőt közvetlen megvilágításnak vagy napfénynek.
- Kerülje a televíziókészülék hideg helyiségből meleg helyiségbe történő áthelyezését. A hirtelen hőmérséklet-változások páralecsapódást okozhatnak. Ez pedig a televíziókészüléken rossz minőségű képet vagy színeket okozhat. Ha ez bekövetkezne, hagyjon időt a páráknak a teljes elpárolgására, mielőtt bekapcsolná a televíziókészüléket.

Letört darabok:

- Ne dobjon semmit a tv-készüléknek. Az ütéstől a képernyő üvege betörhet, és komoly sérüléseket okozhat.
- Ha a készülék felülete megreped, ne érintse meg addig, amíg meg nem szüntette a hálózati vezeték csatlakozását. Ellenkező esetben ez áramütést okozhat.

Ha a készüléket nem használja

- Környezetvédelmi és biztonsági okokból javasoljuk, hogy áramtalanítsa teljesen a készüléket, ha hosszabb ideig nem használja azt.
- A tv-készülék kikapcsolt állapotban is feszültség alatt áll, amíg a hálózati aljzathoz csatlakozik. A készülék áramtalanításához, húzza ki a hálózati csatlakozóvezetékét a hálózati aljzathoz.
- Elképzelhető, hogy némely tv-készülék bizonyos funkcióinak helyes működéséhez szükséges, hogy a készüléket készenléti üzemmódban hagyja.

A gyermekekre vonatkozóan

- Ne engedje, hogy a gyerekek felmásszanak a készülékre.
- A kisméretű tartozékokat tartsa gyermekek elől elzárva, nehogy véletlenül lenyeljék azokat.

Ha a következő problémák merülnek fel...

Kapcsolja ki a tv-készüléket, és azonnal húzza ki a hálózati csatlakozóvezetékét, amikor a következő problémák valamelyikét tapasztalja.

Lépjön kapcsolatba egy Sony márkaszervizzel, és vizsgálta meg a készüléket szakemberrel.

Amikor:

- A hálózati csatlakozóvezeték megsérült.
- A csatlakozódugasz nem illeszkedik tökéletesen a hálózati aljzathoz.
- A tv-készülék megsérült, mert elejtették, megütötték vagy valamit nekidobtak.
- Valamilyen folyadék vagy szilárd tárgy kerül a készülék valamely nyílásába.

Az LCD tv hőmérséklete

Ha az LCD tv-t hosszú ideig használja, a panel környezete felmelegszik. Ezt érezheti, ha odanyúl a kezével.

Óvintézkedések

Tv-nézés

- A tv-készülék közepes megvilágítás mellett nézze, mert a túl gyenge fénynél történő tv-nézés, vagy hosszú ideig történő használat megerőlteti szemét.
- Fejhallgató használata esetén kerülje a túl nagy hangerőt, mert károsodhat a hallása.

LCD-képernyő

- Annak ellenére, hogy az LCD-képernyőt nagypontosságú technológiával gyártják, és a képpontok legalább 99,99 %-a működőképes, fekete vagy világos (piros, kék, zöld) pontok jelenhetnek meg tartósan a képernyőn. Ez az LCD-képernyő szerkezeti jellemzője, és nem jelent hibás működést.
- Ne nyomja vagy karcolja meg a képernyő felületét, és ne helyezzen semmilyen tárgyat a készülék tetejére. A megjelentetés egyenetlenné válhat, és az LCD-képernyő megsérülhet.
- Ha a készüléket hideg helyen üzemelteti, a kép elmosódottá válhat, vagy a képernyő elsötétülhet. Ez nem hibajelenség. A jelenség megszűnik, amint a hőmérséklet emelkedik.
- Ha hosszabb ideig állóképet jelenít meg a képernyőn, szellemkép jelenhet meg. Ez pár pillanat múlva eltűnik.
- A készülék üzemeltetése közben a képernyő és a készülékház felmelegedhet. Ez nem hibajelenség.
- Az LCD-képernyő kis mennyiségű folyadékkristályt tartalmaz. Kövesse a helyi előírásokat és szabályozásokat hulladékként történő elhelyezésre.

A készülék képernyőjének és házának kezelése és tisztítása

A tisztítás megkezdése előtt húzza ki a készülék hálózati csatlakozóvezetékét az aljzathoz.

Az anyagok, illetve a képernyő bevonatának károsodását elkerülendő tartsa be az alábbi óvintézkedéseket.

- A képernyő és a készülékház portalanításához használjon puha tisztítókendőt. Ha a port nem lehet letörölni, nedvesítse meg a tisztítókendőt enyhé mosószeres oldattal.
- Ne permetezzen vizet vagy tisztítószert közvetlenül a tv-készülékre. Beszívóroghat a képernyő aljába vagy a külső alkatrészekbe, illetve a tv-készülék belsejébe juthat, és a tv-készülék károsodását okozhatja.
- Soha ne használjon súrolóeszközt, lúgos vagy savas tisztítószert, súrolóport, illetve oldószert, például alkoholt, benzint, hígítót vagy rovarirtót. Ezek az anyagok károsíthatják a képernyőt és a készülékház felületét.
- Ne érintse meg a tv készüléket, ha a kezét bármilyen vegyi anyaggal kente be, például kézkrémmel vagy naptejvel.
- A megfelelő szellőzés biztosítása érdekében javasoljuk a szellőzőnyílások rendszeres tisztítását.
- A készülék dőlésszögének beállításakor lassan mozgassa a készüléket, így elkerülheti, hogy az elmozduljon vagy lecsússzon az állványról.

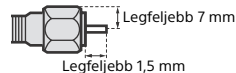


Külső készülékek

- Tartsa távol a tv-készüléktől a külön megvásárolható készülékeket vagy bármely eszközt, amely elektromágneses sugárzást bocsát ki. Ellenkező esetben torzult kép vagy zaj jelentkezhet.
- Ez a termék a tesztelések alapján az EMC-irányelvben meghatározott korlátokon belül esik, ha 3 méternél rövidebb csatlakozó kábelekkel használják.
- Ez a termék a tesztelések alapján az EMC-irányelvben meghatározott korlátokon belül esik, ha a földfelszíni/műholdas/ CATV-csatlakozóhoz 30 méternél rövidebb RF-kábellel használják.

Javaslatok az F típusú csatlakozóhoz

A belső vezeték legfeljebb 1,5 mm-re állhat ki a csatlakozó részből.



(Az F típusú csatlakozó referenciabrája)

Az egység vezeték nélküli funkciója

- Ne használja a készüléket orvosi berendezés (pacemaker stb.) közelében, mert ez az orvosi berendezés hibás működéséhez vezethet.
- Bár a készülék kódolt jeleket ad/vesz, ügyeljen a jogosulatlan lehallgatásra. Az ebből eredő problémáért nem vállalunk felelősséget.
- A termék felszerelésekor és működtetésekor ügyelni kell arra, hogy az eszköz antennája és a felhasználó teste között legalább 20 cm távolság legyen.

Figyelmeztetés a távvezérlő használatával kapcsolatban

- Győződjön meg arról, hogy a mellékelt elemeket megfelelő polaritással helyezze be a távvezérlőbe.
- Ne használjon együtt régi és új, illetve eltérő típusú elemeket.
- Gondoskodjon a kimerült elemek környezetbarát elhelyezéséről. Bizonyos régiókban törvény szabályozza az elemek hulladékként történő elhelyezését. Lépjön kapcsolatba a helyi hatóságokkal.
- Óvatosan kezelje a távvezérlőt. Ne ejtse le, ne lépjen rá és ne öntsön rá semmilyen folyadékot.
- Ne helyezze a távvezérlőt hőforrás közelébe, ne tegye ki közvetlen napfény hatásának, és ne tárolja nyirkos helyiségben.

A tv-készülék elhelyezése hulladékként



Feleslegessé vált elektromos és elektronikus készülékek hulladékként való eltávolítása (Használható az Európai Unió és egyéb európai országok szelektív hulladékgyűjtési rendszereiben)

Ez a szimbólum a készüléken vagy a csomagolásán azt jelzi, hogy a terméket ne

kezelje háztartási hulladékként. Kérjük, hogy az elektromos és elektronikai hulladék gyűjtésére kijelölt gyűjtőhelyen adja le. A feleslegessé vált termék helyes kezelésével segít megelőzni a környezet és az emberi egészség károsodását, mely bekövetkezhetne, ha nem követi a hulladékkezelés helyes módját. Az anyagok újrahasznosítása segít a természeti erőforrások megőrzésében. A termék újrahasznosítása érdekében további információért forduljon a lakhelyén az illetékesekhez, a helyi hulladékgyűjtő szolgáltatóhoz vagy ahhoz az üzlethez, ahol a terméket megvásárolta.



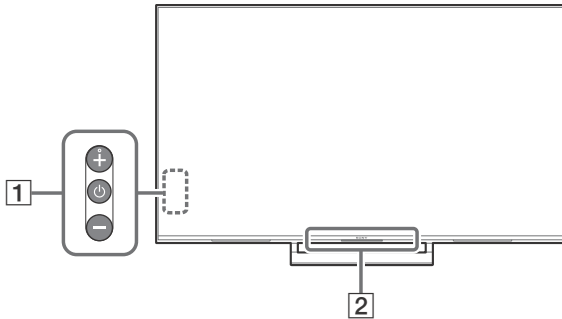
Feleslegessé vált elemek hulladékként való eltávolítása (Használható az Európai Unió és egyéb európai országok szelektív hulladékgyűjtési rendszereiben)

Ez a szimbólum az elemen vagy annak

csomagolásán azt jelzi, hogy a terméket ne kezelje háztartási hulladékként. Egyes elemeken vagy azok csomagolásán ez a szimbólum együtt szerepelhet a higany (Hg) vagy az ólom (Pb) vegyjelével akkor, ha az elem 0,0005 %-nál több higanyt vagy 0,004 %-nál több ólmot tartalmaz. Kérjük, hogy azt a használt elemek gyűjtésére kijelölt gyűjtőhelyen adja le. A feleslegessé vált elemek helyes kezelésével segít megelőzni a környezet és az emberi egészség károsodását, mely bekövetkezhetne, ha nem követi a hulladékkezelés helyes módját. Az anyagok újrahasznosítása segít a természeti erőforrások megőrzésében. Olyan berendezéseknél alkalmazott elemeket, ahol biztonsági, teljesítményi, illetve adatok megőrzése érdekében elengedhetetlen az energiaellátás folyamatosságának biztosítása, csak az arra felkészült szerviz állomány cserélheti ki. Beépített elem esetén, hogy biztosítható legyen az elem megfelelő kezelése, a terméknek elhasználódásakor juttassa el azt az arra kijelölt elektromos és elektronikus hulladékgyűjtő pontra. Minden más elem esetén kérjük, hogy tanulmányozza, milyen módon lehet biztonságosan az elemet a készülékből eltávolítani. Az elemet a használt elemek megfelelő begyűjtőhelyén adja le. A termék újrahasznosítása érdekében további információért forduljon a lakhelyén az illetékesekhez, a helyi hulladékgyűjtő szolgáltatóhoz vagy ahhoz az üzlethez, ahol a terméket megvásárolta.


Alkatrészek és vezérlőelemek

Vezérlők és szimbólumok

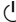



1 (Bekapcsolás) / +/-

Ha a tv ki van kapcsolva,

a  gombbal kapcsolja be.

Ha a tv be van kapcsolva,

Kikapcsoláshoz nyomja meg hosszan a  gombot.

Nyomogassa a  gombot a funkció módosításához, majd a + vagy – gombot a következőhöz:

- hangerő beállítása.
- csatornaválasztás.
- a tv bemeneti jelforrásának kijelölése.

2 **Távvezérlő érzékelője* / Fényérzékelő* / LED-megvilágítás**

A LED-megvilágítás a televízió állapota szerint világít vagy villog.

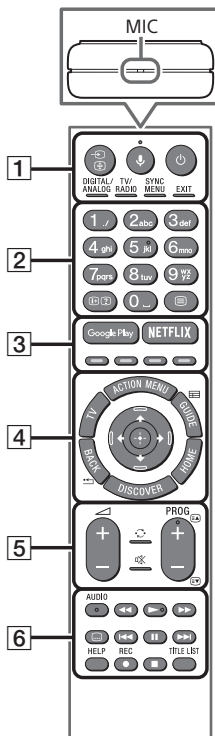
További információért tekintse meg a Súgóútmutatót.

* Ne tegyen semmit az érzékelő közelébe.

A távvezérlő használata

A távvezérlő működési leírása

A távvezérlő alakja, gombjainak helye, elérhetősége és funkciója a régiótól/országtól/a televízió típusától függően változhat.



1 (Bemenetválasztás/Teletext megállítása)

Tv üzemmódban: Jelenítse meg és válassza ki a bemeneti forrást.

Teletext üzemmódban: A pillanatnyilag megtekintett oldal tartása.

(Mikrofon)

A hang funkció használata. (Például különböző tartalmak keresése beszéd alapján.)

(Készüléti üzemmód)

A televíziókészülék be- vagy kikapcsolása (készüléti üzemmód).

DIGITAL/ANALOG

A digitális és az analóg mód közötti váltás.

TV/RADIO

A tv vagy rádió adások közötti váltás.

SYNC MENU

A BRAVIA Sync menü megjelenítése.

EXIT

Visszatérés az előző képernyőhöz, vagy kilépés a menüből. Amikor elérhető az Interaktív alkalmazás szolgáltatás, nyomja meg a szolgáltatásból való kilépéshez.

2 Számgombok

(Információ/Szöveg felfedése)

Információk megjelenítése.

(Teletext)

Teletext információk megjelenítése.

3 Google Play

Megnyitja a „Google Play” online szolgáltatást.

NETFLIX (Csak egyes régiókban/országokban/tv-modelleknél)

Hozzáférés a „NETFLIX” online szolgáltatáshoz.

Színes gombok

A gombhoz tartozó funkció végrehajtása.

4 ACTION MENU

A környezetfüggő funkciók listájának megjelenítése.

TV

- Váltás televíziócsatornára vagy más alkalmazás bemenetére.
- Kapcsolja be a tv-t a tv-csatorna vagy bemenet megjelenítéséhez.

GUIDE/

A digitális műsorújság megjelenítése.

BACK/

Visszatérés az előző képernyőre.

HOME

A televíziókészülék főmenüjének megjelenítése.

DISCOVER

A Tartalom sáv megnyitása és tartalom keresése.

(Elem kiválasztása/megadása)

5 +/- (Hangerő)

A hangerő beállítása.

(Ugrás)


Oda-vissza váltás két csatorna vagy bemenet között. A tv-készülék az aktuális csatorna vagy bemenet és a legutóbb kiválasztott csatorna vagy bemenet között vált.


(Némítés)

A hang kikapcsolása. Ismét megnyomva a hang visszakapcsol.

PROG +/-//

Tv-üzemmódban: Csatornák kiválasztása.

Teletext üzemmódban: A következő ()

vagy az előző () oldal kiválasztása.

6 AUDIO

Az aktuálisan megtekintett műsor nyelvének módosítása.



A televíziókészülék és a csatlakoztatott BRAVIA Sync-kompatibilis eszköz médiatartalmának vezérlése.

(Feliratok beállítása)

A feliratok be- vagy kikapcsolása (amikor a szolgáltatás elérhető).

HELP

Súgó menü megjelenítése. A Súgóútmutató bárholnan elérhető.

● REC

Az éppen megtekintett műsor USB HDD-rögzítő funkcióval való felvétele.

TITLE LIST

A címlista megjelenítése.

1 **USB 1/2, USB 3 (HDD REC)*³**

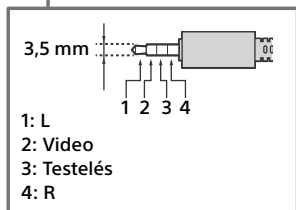
- Egy nagyobb méretű USB-eszköz csatlakoztatása zavarhatja a közelében lévő többi csatlakoztatott eszközt.
- Amikor egy nagyobb méretű USB-eszközt csatlakoztat, csatlakoztassa az USB 1 aljzatba.

2 **AUDIO OUT**

- Csak a 3 pólusú sztereó mini dugaszt támogatja.
- A televíziókészülék hangjának a csatlakoztatott készüléken keresztül történő hallgatásához nyomja meg a **HOME** gombot. Válassza a [Beállítások] → [Hang] → [Fejhallgató/Hang kimenet] lehetőségeket, majd válassza ki a kívánt elemet.

3 **AV IN 1**

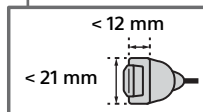
- Kompozit kapcsolathoz használjon analóg hosszabbítókábel (nincs mellékelve).



4 **IR BLASTER*³**

5 **HDMI IN 1/2/3/4**

- Az Audio Return Channel (ARC) technológiával kompatibilis digitális audiorendszerek csatlakoztatásakor használja a HDMI IN 3 aljzatot. Ha nem így tesz, egy további kapcsolatra is szükség lesz a DIGITAL AUDIO OUT (OPTICAL) csatlakozóval.



6 **(Műholdas bemenet), **(RF-bemenet)****

- Földi/kábeles és műholdas csatlakozások. Csatlakoztatás lépései: SUB. → Antenna → MAIN
- A SUB. csatlakozót csak akkor csatlakoztassa, ha ikertuneres üzemmódot használ az egykábeles útmutatójában.

7 **CAM (feltételes hozzáférési modul)**

- Hozzáférést biztosít a fizetős televíziószolgáltatásokhoz. A részleteket lásd a CAM mellékelt használati útmutatójában.
- Az intelligens kártyát ne helyezze közvetlenül a televíziókészülék CAM kártyahelyére. Egy hivatalos kereskedő által biztosított feltételes hozzáférési modulba kell beilleszteni.
- A CAM előfizetői kártya egyes országokban/régiókban nem támogatott. Érdeklődjön egy hivatalos kereskedőnél.
- Egy CAM üzenet jelenhet meg olyankor, amikor az internetes videók használatát követően digitális műsorra vált.

*1 Mono berendezést az L (MONO) audiocsatlakozóra kell csatlakoztatni.

*2 Csak SCART AV OUT kimenettel rendelkező külső eszköz esetében használjon SCART-RCA adaptert.

*3 Csak egyes régiókban/országokban/tv-modellekben.

A tv felszerelése a falra

Az opcionális fali konzol használata

A tv-készülék használati útmutatója csak a tv-készülék falra történő felszerelésének előkészületeire vonatkozó lépéseket tartalmazza.

Vásárlóink figyelmébe:

Termék- és baleset-biztonsági okokból a Sony azt tanácsolja, hogy a tv-készülék üzembe helyezését Sony viszonteladó vagy alvállalkozó hajtsa végre. Ne kísérelje meg a termék önálló felszerelését.

Sony viszonteladók és alvállalkozók figyelmébe:

A termék üzembe helyezésekor, rendszeres karbantartásakor és vizsgálatokor maradéktalanul tartson be minden biztonsági óvintézkedést.

A tartót csak professzionális szerelő szerelheti fel, aki képes annak eldöntésére, hogy a fal teherbírása megfelelő-e a TV-készülék súlyának megtartásához. Ha a tartó rögzítése nem megfelelő, akkor a TV leeshet és súlyos sérülést okozhat. A Sony nem tehető felelőssé a helytelen kezelés, nem megfelelő felszerelés, vagy a megadott terméktől eltérő termék felszerelése miatti anyagi károkért vagy személyi sérülésekért. Az Ön törvényi jogait (ha vannak) nem érinti.

A TV falra szereléséhez az SU-WL845 (nincs mellékelve) (csak KD-75XE94xx és KD-65XE93xx esetében), az SU-WL840 (nincs mellékelve) (csak KD-55XE93xx esetében) vagy az SU-WL450 (nincs mellékelve) (csak KD-65/55XE93xx esetében) fali konzolt használja.

A fali konzol felszerelésekor olvassa el a fali konzolhoz mellékelte Kezelési utasítást és Felszerelési útmutatót is.

Megjegyzés

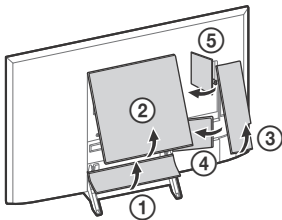
- Az eltávolított csavarokat biztos helyen, gyermekek elől elzárva tárolja.
- Ügyeljen arra, hogy falon legyen elegendő hely a TV számára, és a fal képes legyen legalább a TV súlyának hatszorosát kitevő súly megtartására.



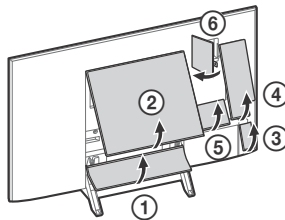
Az Ön tv-készülékének fali konzolra szerelésével kapcsolatos útmutatást a következő honlapon találja:
www.sony.eu/tv/wall-mount-bracket-manual

Távolítsa el az állvány borítását és a csatlakozófedeleket.

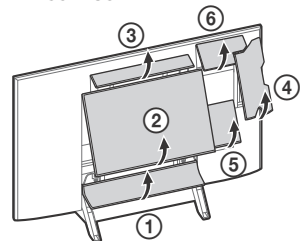
KD-75XE94xx



KD-65XE93xx



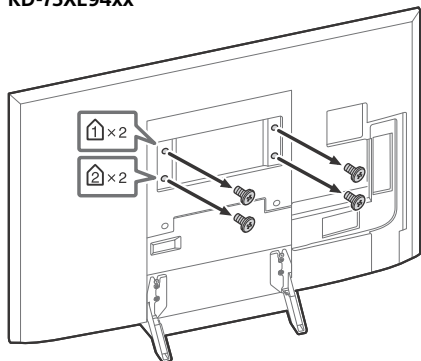
KD-55XE93xx



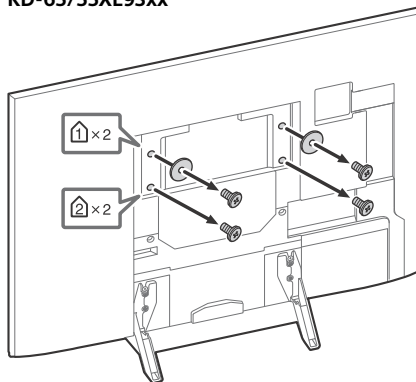
SU-WL845 (KD-75XE94xx, KD-65XE93xx), SU-WL840 (KD-55XE93xx)

Távolítsa el a TV hátulján található csavarokat.

KD-75XE94xx

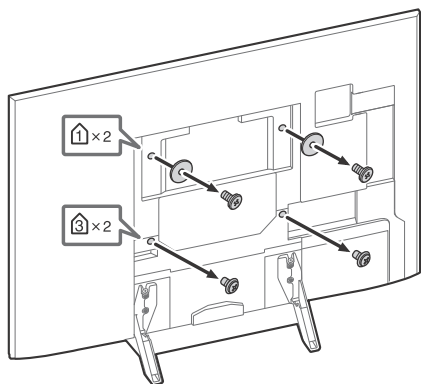


KD-65/55XE93xx

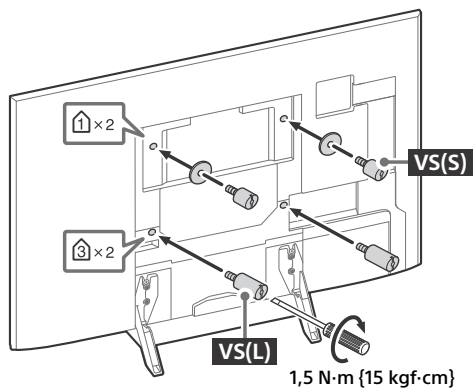


SU-WL450 (Csak a KD-65/55XE93xx esetén)

1 Távolítsa el a TV hátulján található csavarokat.



- 2 Csatlakoztassa a fali konzol toldalékát (mellékelve a TV-hez) a TV hátához (annak érdekében, hogy az párhuzamos legyen a fallal).



Megjegyzés

- Ha elektromos csavarbehajtót használ, a nyomatékot kb. 1,5 N·m (15 kgf·cm) értékre állítsa.
- Ellenőrizze, hogy a fali konzol toldalékát megfelelően rögzítette-e a TV-hez.
- Csak lapos fejű csavarhúzó használjon a fali konzol toldalékának felszereléséhez. Ha más szerszámot használ, azzal túlságosan meghúzhatja a fali konzol toldalékát, illetve kárt okozhat a TV-ben.

Csak a KD-75XE94xx, KD-55XE93xx esetén

A TV-készüléket a csomagolásból kivéve a fali konzolra (külön megvásárolható) lehet szerelni. A kábelek csatlakoztatása előtt készítse elő a TV-készüléket a fali konzolra szereléshez.

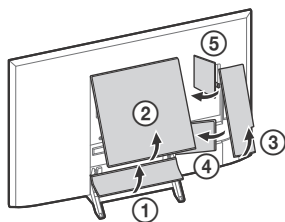
A tartót csak professzionális szerelő szerelheti fel, aki képes annak eldöntésére, hogy a fal teherbírása megfelelő-e a TV-készülék súlyának megtartásához. Ha a tartó rögzítése nem megfelelő, akkor a TV leeshet és súlyos sérülést okozhat. A Sony nem tehető felelőssé a helytelen kezelés, nem megfelelő felszerelés, vagy a megadott terméktől eltérő termék felszerelése miatti anyagi károkért vagy személyi sérülésekért. Az Ön törvényi jogait (ha vannak) nem érinti.

Termék- és baleset-biztonsági okokból a Sony azt tanácsolja, hogy a tv-készülék falra szerelését képzett szakember hajtsa végre. Ne kísérelje meg a termék önálló felszerelését.

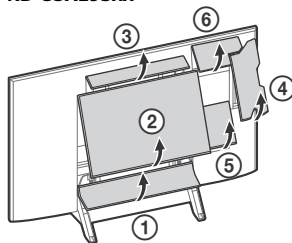
- Kövesse az utasításokat a típushoz megfelelő fali konzolhoz mellékelt használati útmutatóban.
- A nem használt csavarokat és asztali állványt biztonságos helyen tárolja addig, amíg készen nem áll az asztali állvány rögzítésére. A csavarokat kisgyerekek elől tartsa elzárva.
- Ügyeljen arra, hogy falon legyen elegendő hely a TV számára, és a fal képes legyen legalább a TV súlyának hatszorosát kitevő súly megtartására.

1 Távolítsa el az állvány borítását és a csatlakozófedeleket.

KD-75XE94xx

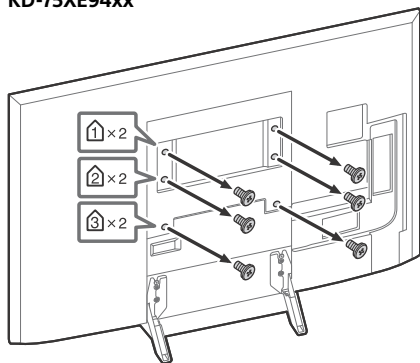


KD-55XE93xx

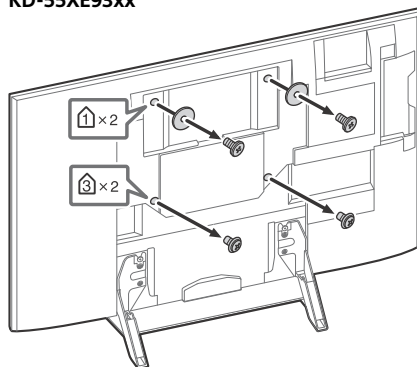


2 Távolítsa el a TV hátulján található csavarokat.

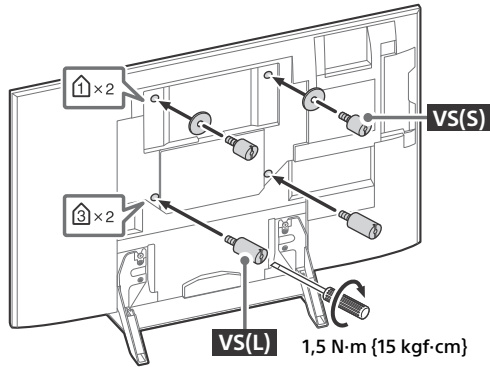
KD-75XE94xx



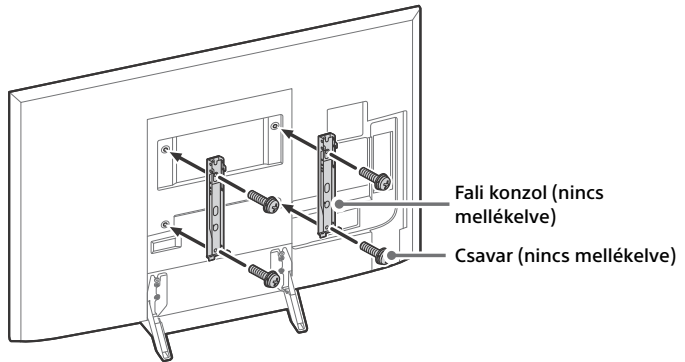
KD-55XE93xx



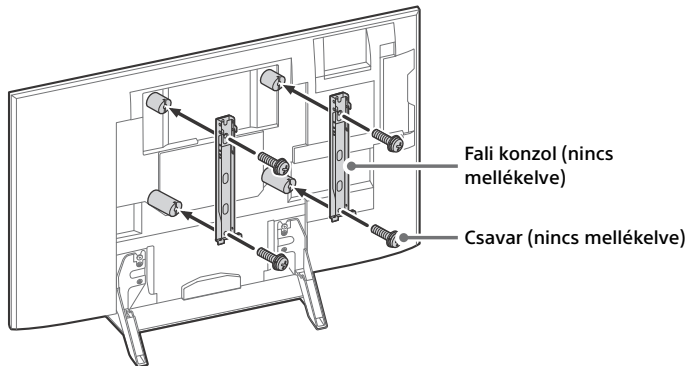
- 3** Csatlakoztassa a fali konzol toldalékát (mellékelve a TV-hez) a TV hátaához (annak érdekében, hogy az párhuzamos legyen a fallal). (Csak a KD-55XE93xx esetén)



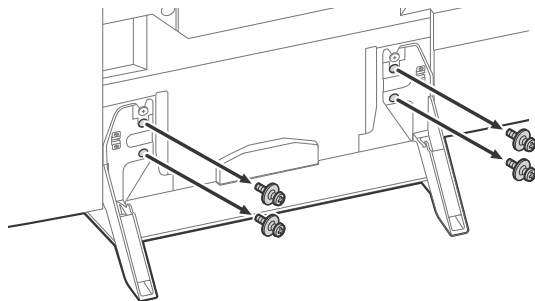
- 4** Szerelje fel a fali konzolt (nincs mellékelve) a csavarokkal (nincs mellékelve).
KD-75XE94xx



KD-55XE93xx



5 Válassza le az asztali állványt a televíziókészülekről.



Megjegyzés

- Ha elektromos csavarbehajtót használ, a nyomatékot kb. 1,5 N·m (15 kgf·cm) értékre állítsa.
- Ellenőrizze, hogy a fali konzol toldalékát megfelelően rögzítette-e a TV-hez.
Csak lapos fejű csavarhúzózt használjon a fali konzol toldalékának felszereléséhez. Ha más szerszámot használ, azzal túlságosan meghúzhatja a fali konzol toldalékát, illetve kárt okozhat a TV-ben.
- A TV hátulján található kábeltartók közül néhányat nem lehet használni, ha (külön megvásárolható) fali konzolt használ.

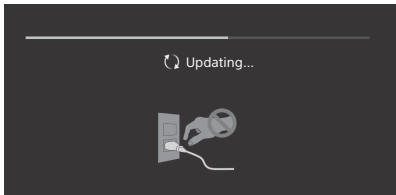
Hibaelhárítás

Általános hibaelhárításhoz az alábbi lépéseket kövesse a következő típusú problémák esetében: fekete képernyő, nincs hang, kimerevedett kép, a TV nem reagál, nem található hálózat.

- 1 Indítsa újra a TV-t a távvezérlő bekapcsológombjának megnyomásával, amíg megjelenik egy üzenet. A TV újraindul. Ha a TV nem áll helyre, próbálja kihúzni a TV-t a hálózatról két percre, majd csatlakoztassa újra.
- 2 Tekintse meg a Súgóútmutatót a távvezérlő **HELP** gombjának megnyomásával.
- 3 Csatlakoztassa a TV-t az internethez, és végezzen el egy szoftverfrissítést.
- 4 Keresse fel a Sony támogatási webhelyét (információ a hátsó borításon).

Ha megjelenik az [Új rendszerszoftverfrissítés elérhető a Tv-hez...] üzenet.

A Sony nyomatékosan javasolja a TV szoftverének frissítését a [Frissítés most] lehetőség kiválasztásával. Ezek a szoftverfrissítések javítják a TV teljesítményét, vagy új funkciókat tesznek elérhetővé. A szoftver frissítése során a következő képernyő jelenik meg az alábbi szöveggel: [Updating...] (Frissítés...), és a megvilágító LED fehéren villog.



A szoftverfrissítés közben ne húzza ki a hálózati kábelt. Ha így tesz, előfordulhat, hogy a szoftverfrissítés nem fejeződik be teljesen, ami a szoftver meghibásodásához vezethet. A szoftverfrissítés akár 15 percig is tarthat.

Ha bedugja a TV-t, előfordulhat, hogy a TV nem kapcsol be egyből, amikor megnyomja a bekapcsológombot a távvezérlőn vagy a TV-n.

A rendszer inicializálása időt vesz igénybe. Várjon körülbelül egy percet, majd próbálja újra.

Problémák és megoldások

Ha a megvilágító LED pirosan villog.

- Számolja meg, hányszor villan fel (az időköz három másodperc). Indítsa újra a TV-t. Ehhez válassza le a TV-t a hálózatról két percre, majd kapcsolja be a TV-t. Ha a probléma továbbra is fennáll, válassza le a TV-t a hálózatról, majd lépjen kapcsolatba a kereskedővel vagy a Sony szervizközponttal, és tájékoztassa őket arról, hányszor villog a megvilágító LED.

A földi/kábelszolgáltatás nem érhető el.

- Ellenőrizze az antenna (légi)/kábel kapcsolatát és az erősítő beállításait.
- A távvezérlő **DIGITAL/ANALOG** gombjának megnyomásával válassza ki a földi/kábelszolgáltatást. Ha a műsorszolgáltatás nem jelenik meg, nyomja meg a **TV** gombot, majd a **DIGITAL/ANALOG** gombot.
- Lehetséges, hogy egy közelről sugárzott erős jel elnyomja a földi jelet. A digitális hangolási beállítások között az [LNA (CS ---)] beállítást állítsa [Ki] állapotba.
- Ha elköltözik vagy új szolgáltatásokat kíván használni, próbáljon a [Digitális hangolás] segítségével szolgáltatást keresni.

A műholdas szolgáltatás nem érhető el.

- Ellenőrizze a műholdas kábelkapcsolatot.
- Ha megjelenik a [Nincs jel. LNB túlcsozdulás...] üzenet, válassza le a hálózati csatlakozóvezetékét. Ezután ellenőrizze, hogy a műholdas kábel nem sérült-e, és hogy nem lett-e zártatos a műholdas jelvezeték a műholdas csatlakozóban.

A távvezérlő nem működik.

- Cserélje ki az elemeket.

Efelejtette a szülői műsorzárhoz tartozó jelszót.

- Írja be a 9999 PIN-kódot, és válassza a [PIN-kód módosítása] lehetőséget.

A tv-készülék környezete felmelegszik.

- Ha a tv-készüléket hosszú ideig használja, a környezete felmelegszik. Ezt érezheti, ha odanyúl a kezével.

Műszaki adatok

Rendszer

Megjelenítő típusa

LCD (folyadékkristályos kijelző) megjelenítő,
LED-es háttér-megvilágítás

Tv-rendszer

Országtól/területválasztástól/tv-modelltől
függően

Analóg: B/G, D/K, I
Digitális: DVB-T/DVB-C
DVB-T2*

Műhold*: DVB-S/DVB-S2

Színrendszer

PAL, SECAM, NTSC3.58 (Csak videó), NTSC4.43
(Csak videó)

Fogható csatornák

Országtól/területválasztástól/tv-modelltől
függően

Analóg: UHF/VHF/kábel
Digitális: UHF/VHF/kábel
Műhold*: 950-2 150 MHz KF frekvencia

Hangkimeneti teljesítmény

KD-75XE94xx, KD-65XE93xx: 10 W + 10 W + 10 W +
10 W + 10 W + 10 W
KD-55XE93xx: 5 W + 5 W + 10 W + 10 W + 10 W +
10 W

Vezeték nélküli technológia

IEEE802.11ac/a/b/g/n protokoll
(Az országtól/régiótól függően előfordulhat, hogy
az IEEE802.11ac nem érhető el.)

Bluetooth 4.1-es verzió
Frekvenciasáv(ok): WLAN 2,4 GHz/5 GHz,
Bluetooth 2,4 GHz
Továbbított rádiófrekvencia-teljesítmény:
MAX. 100 mW

Tv-szoftver verziója:

PKG_..._...EUA
A szoftver verziójának kiderítéséhez nyomja meg
a távvezérlő **HELP** gombját.

* Nem minden tv rendelkezik DVB-T2 vagy DVB-S/S2
technológiával vagy műholdantenna-terminállal.

Bemeneti/kimeneti aljzatok

Antenna (légi)/kábel

75 Ohmos külső antennacsatlakozó VHF/UHF-hez
Műholdantenna

F típusú anya csatlakozó, 75 ohm.
DISEqC 1.0, LNB 13 V/18 V és 22 kHz-es
kapcsolójelel, Egykábeles terjesztés EN50494.

AV IN 1

Video/Audio bemenet (mini jack)

COMPONENT IN

YPbPr (Komponens videó): 1080p (50, 60 Hz),
1080i (50, 60 Hz), 720p (50, 60 Hz), 576p, 576i,
480p, 480i

Audiobemenet (RCA aljzatok)

AV IN 2

Videóbemenet (közös RCA érintkező Y
bemenettel)

HDMI IN 1, 2, 3, 4 (támogatják a 4K felbontást,
HDCP 2.2 kompatibilis)

Videó:

4096 × 2160p (50, 60 Hz)*1*2, 4096 × 2160p
(24 Hz)*1, 3840 × 2160p (50, 60 Hz)*2,
3840 × 2160p (24, 25, 30 Hz), 1080p (30, 50,
60 Hz), 1080/24p, 1080i (50, 60 Hz), 720p (30,
50, 60 Hz), 720/24p, 576p, 576i, 480p, 480i, PC
formátumok

*1 4096 × 2160p bemenet esetén a készülék
3840 × 2160p felbontást jelenít meg.

*2 Csak HDMI IN 2 / 3.

Audio: 5,1 csatornás lineáris PCM: 32, 44,1, 48,
88,2, 96, 176,4 és 192 kHz, 16, 20 és 24 bit, Dolby
Digital, Dolby Digital Plus és DTS

ARC (Audio Return Channel) (csak HDMI IN 3)

(Kétcsatornás lineáris PCM: 48 kHz, 16 bit, Dolby
Digital, Dolby Digital Plus, DTS)

DIGITAL AUDIO OUT (OPTICAL)

Digitális optikai csatlakozó (kétcsatornás lineáris
PCM: 48 kHz, 16 bit, Dolby Digital, DTS)

AUDIO OUT (sztereó mini csatlakozó)

Fejhallgató, hangkimenet, mélynyomó

USB-eszköz csatlakozója (3 HDD REC)*1

USB-eszköz csatlakozója (SSD 3 USD HDD-
eszköz a FELVÉTEL funkcióhoz)

Az 1. és 2. USB-port támogatja a High Speed USB
(USB 2.0) szabványt.

A 3. USB-port támogatja a Super Speed USB
(USB 3.0) szabványt.



Feltételes hozzáférési modul (CAM) nyílása

LAN

10BASE-T/100BASE-TX csatlakozó (A hálózati
környezettől függően a csatlakozási sebesség
különbözhet. A 10BASE-T/100BASE-TX
kommunikáció sebessége és minősége nem
garantált e tv-készülék esetén.)

DC IN 24 V (csak a hálózati adapterrel
rendelkező modellekre vonatkozik)

Hálózati adapter bemenete

IR BLASTER*1

IR Blaster-kábel bemenete (mini csatlakozó)

Egyebek

Külön megvásárolható tartozékok

Fali konzol: SU-WL845 (Csak a KD-75XE94xx, KD-65XE93xx esetén)

Fali konzol: SU-WL840 (Csak a KD-55XE93xx esetén)

Fali konzol: SU-WL450 (Csak a KD-65/55XE93xx esetén)

Üzemi hőmérséklet

0 °C – 40 °C között

Működési páratartalom

10 % – 80 % RH relatív páratartalom között (kicsapódás nélkül)

Tápellátás, adatlap és egyebek

Tápellátás

kivéve a hálózati adapterrel kiegészített modellel

220 V – 240 V AC, 50 Hz

csak a hálózati adapterrel rendelkező modellek

24 V DC hálózati adapterrel

Besorolás: Bemenet: 220 V – 240 V AC, 50 Hz

Energiahatékonysági osztály

KD-75XE94xx: B

KD-65XE93xx: A

KD-55XE93xx: B

Képernyőméret (átlósan mérve) (Kb.)

KD-75XE94xx: 189,3 cm / 75 hüvelyk

KD-65XE93xx: 163,9 cm / 65 hüvelyk

KD-55XE93xx: 138,8 cm / 55 hüvelyk

Teljesítményfelvétel

[Normál] üzemmódban

KD-75XE94xx: 298 W

KD-65XE93xx: 164 W

KD-55XE93xx: 137 W

[Élénk] üzemmódban

KD-75XE9405: 495 W

KD-65XE9305: 294 W

KD-55XE9305: 227 W

Átlagos éves energiafogyasztás*2

KD-75XE94xx: 413 kWh

KD-65XE93xx: 227 kWh

KD-55XE93xx: 190 kWh

Készenléti üzemmódban*3*4

0,50 W (27 W szoftver-/EPG-frissítési üzemmódban)

Kijelző felbontása

3 840 képpont (vízszintes) × 2 160 sor (függőleges)

Kimeneti áramerősség

USB 1/2: 5 V, $\overline{=}$, max. 500 mA

USB 3: 5 V, $\overline{=}$, max. 900 mA

Méreték (Kb.) (szé × ma × mé)

asztali állvánnyal

KD-75XE94xx: 167,3 × 103,7 × 32,5 cm

KD-65XE93xx: 145,1 × 91,3 × 29,5 cm

KD-55XE93xx: 123,2 × 79,0 × 28,2 cm

asztali állvány nélkül

KD-75XE94xx: 167,3 × 96,2 × 6,2 cm

KD-65XE93xx: 145,1 × 83,8 × 3,9 cm

KD-55XE93xx: 123,2 × 71,5 × 4,0 cm

Tömeg (Kb.)

asztali állvánnyal

KD-75XE94xx: 47,6 kg

KD-65XE93xx: 42,4 kg

KD-55XE93xx: 32,6 kg

asztali állvány nélkül

KD-75XE94xx: 42,8 kg

KD-65XE93xx: 38,2 kg

KD-55XE93xx: 28,6 kg

*1 Csak egyes régiókban/országokban/tv-modellekben.

*2 Éves energiafogyasztás, amely adat olyan televíziókészülék teljesítményfelvételén alapul, amelyet 365 napon keresztül napjában 4 órát üzemeltetnek. A tényleges energiafogyasztás a televízió használati módjától függ.

*3 A megadott készenléti üzemmódu teljesítményfelvételt akkor éri el a tv-készülék, miután befejezte a szükséges bűsítő folyamatokat.


*4 Ha a tv-készülék csatlakoztatva van a hálózathoz, a készenléti üzemmódu energiafelhasználása megnő.

Megjegyzés

- Ne távolítsa el a tv CAM (feltételes hozzáférési modul) nyílásának borítását, kivéve, ha a feltételes hozzáférési modulba intelligens kártyát helyez be.
- A külön megvásárolható tartozékok elérhetősége az országtól/régiótól/tv-típus/árúkesztlettől függ.
- A forma és a műszaki adatok előzetes bejelentés nélkül megváltozhatnak.

Megjegyzések a digitális tv-funkcióról

- Előfordulhat, hogy a digitális TV (digitális földfelszíni videoadás, műholdas- és kábeltelvízió), az interaktív szolgáltatások és a hálózati funkciók nem érhetők el minden országban vagy területen. Lehetséges, hogy egyes funkciók nincsenek engedélyezve vagy nem működnek megfelelően bizonyos szolgáltatók és hálózati környezetek használata esetén. Egyes TV-szolgáltatók díjat számolhatnak fel a szolgáltatásaikért.

- Ez a TV támogatja az MPEG-2, H.264/ MPEG-4 AVC és H.265/ HEVC kodekeket használó digitális műsorszolgáltatást, de nem garantálható, hogy az idővel esetlegesen változó összes szolgáltatóval/ szolgáltatósjellel kompatibilis lesz.
- A TUXERA a Tuxera Inc. cég Egyesült Államokban és más országokban bejegyzett védjegye.
- Az USB-IF SuperSpeed USB Trident embléma az USB Implementers Forum, Inc. bejegyzett védjegye. 

Védjegyekkel kapcsolatos információk

- A HDMI és a HDMI High-Definition Multimedia Interface kifejezés, illetve a HDMI embléma a HDMI Licensing LLC védjegye vagy bejegyzett védjegye az Amerikai Egyesült Államokban és más országokban.
- A gyártás a Dolby Laboratories licenccégedélyével történt. A Dolby, Dolby Audio és dupla D szimbólum a Dolby Laboratories védjegyei.
- A „BRAVIA” és a BRAVIA a Sony Corporation védjegyei.
- A Gracenote, a Gracenote eyeQ, a Gracenote VideoID, a Gracenote Video Explore, a Gracenote embléma és a „Powered by Gracenote” embléma a Gracenote védjegye vagy bejegyzett védjegye az Egyesült Államokban és/vagy más országokban.
- Opera® Devices SDK. Copyright 1995-2016 Opera TV AS. All rights reserved.
- A Wi-Fi, a Wi-Fi Direct, a Miracast és a Wi-Fi Protected Setup, valamint a Wi-Fi CERTIFIED logók a Wi-Fi Alliance cég védjegyei vagy bejegyzett védjegyei.
- DTS-szabadalmakról lásd a <http://patents.dts.com> webhelyet. Készült a DTS, Inc. licence alapján. A DTS, a szimbólum, illetve a DTS és a szimbólum együttesen bejegyzett védjegyek, a DTS Digital Surround a DTS, Inc. védjegye. © DTS, Inc. Minden jog fenntartva.
- A Bluetooth® jelzés és emblémák a Bluetooth SIG, Inc. bejegyzett védjegyei, a Sony Corporation ezeket licenccégedállapodás keretében használja. A többi védjegy és kereskedelmi megnevezés a megfelelő tulajdonosok tulajdona.
- A DiSEqC™ az EUTELSAT védjegye. Ez a tv-készülék támogatja a DiSEqC 1.0 szabványt. Ez a tv-készülék nem motoros antennák vezérlésére lett tervezve.

Cuprins

INFORMAȚIE IMPORTANTĂ	2
Informații privind siguranța	3
Măsuri de precauție	6
Părți componente și comenzi	8
Comenzi și indicatoare	8
Utilizarea telecomenzii	9
Telecomandă - Descrierea părților componente	9
Schema de conexiuni.	11
Montarea televizorului pe perete	13
Utilizarea dispozitivului opțional de montare pe perete	13
SU-WL845 (KD-75XE94xx, KD-65XE93xx), SU-WL840 (KD-55XE93xx)	14
SU-WL450 (Numai KD-65/55XE93xx)	14
Numai KD-75XE94xx, KD-55XE93xx.	16
Depanare	19
Probleme și soluții	19
Specificații.	20

Conexiunea la internet și politica de confidențialitate a datelor personale

Acest produs se conectează la internet în timpul configurării inițiale odată cu conectarea la o rețea, pentru confirmarea conexiunii la internet, și ulterior pentru configurarea ecranului principal. Adresa dumneavoastră IP este utilizată pentru aceste configurări și pentru toate celelalte conexiuni la internet. Dacă nu doriți ca adresa dumneavoastră IP să fie utilizată, nu configurați funcția de internet wireless și nu conectați cablul de internet. Citiți informațiile privind confidențialitatea afișate în ecranele de configurare pentru detalii suplimentare despre conexiunile la internet.

Introducere

Vă mulțumim că ați ales acest produs Sony. Înainte de a utiliza televizorul, vă rugăm să citiți cu atenție acest manual, după care să îl păstrați pentru a-l putea consulta ulterior.

Note

- Înainte de a utiliza televizorul, vă rugăm să citiți „Informații privind siguranța” (pagina 3).
- Imaginile și ilustrațiile utilizate în Ghidul de configurare și în acest manual au scop doar de referință și pot diferi față de produsul real.
- Simbolul „xx” care apare în numele modelului corespunde unei cifre numerice, aferente designului, culorii sau sistemului TV.

Amplasarea Ghidului de configurare

Ghidul de configurare este amplasat pe partea de sus a ambalajului de protecție din cutia televizorului.

Ajutor/Ghid de asistență

Funcția Ajutor oferă multe informații despre TV. Pentru a utiliza funcția Ajutor, apăsați **HELP** de pe telecomandă. Puteți afla informații și cum se face depanarea folosind lista sau căutarea după cuvinte cheie. Selectați [Ghid de asistență] din Meniul de Ajutor pentru a vizualiza manualul. În cazul în care conectați TV-ul la internet, funcția și informațiile de Ajutor vor fi actualizate.

Unde se află eticheta de identificare

Etichetele cu numărul modelului, data fabricației (an/lună) și tensiunea de alimentare se află în partea posterioară a televizorului sau pe ambalaj. În acest scop, scoateți capacul suportului și capacul central.

Pentru modelele cu adaptor de priză inclus: Etichetele pentru modelul și numărul de serie al adaptorului de priză se află în partea de jos a adaptorului.

ATENȚIE

PENTRU A ÎMPIEDICA
RĂSPÂNDIREA
INCENDIILOR, PĂSTRAȚI
LUMÂNĂRILE ȘI ALTE FLĂCĂRI
DESCHESE DEPARTE DE ACEST
PRODUS, ÎNTOTDEAUNA.



INFORMAȚIE IMPORTANTĂ

Producătorul acestui aparat este: Sony Corporation, 1-7-1 Konan Minato-ku Tokyo, 108-0075 Japonia. Întrebări legate de conformitatea aparatului cu legislația Uniunii Europene pot fi adresate: Sony Belgium, bijkantoor van Sony Europe Limited, Da Vincilaan 7-D1, 1935 Zaventem, Belgia. Pentru orice întrebări legate de service sau de garanție, vă rugăm să consultați documentele de garanție ce însoțesc aparatul.

Observație cu privire la echipamentul radio



Prin prezenta, Sony Corporation declară că echipamentul radio, modelele KD-75XE9405, KD-65XE9305, KD-55XE9305, este în conformitate cu prevederile esențiale și alte prevederi relevante ale directivei 1999/5/CE. Pentru detalii, accesați următorul site: <http://www.compliance.sony.de/>

Acest echipament radio poate fi utilizat în UE fără încălcarea cerințelor în vigoare privind utilizarea spectrului de frecvențe radio.

Notificare către clienți: informațiile de mai jos sunt valabile numai pentru echipamentele comercializate în țările unde se aplică directivele UE.

Sistemul TV fără fir poate fi utilizat în următoarele țări:

AT, BE, HR, CY, CZ, DK, EE, FI, FR, DE, EL, HU, IE, IT, LV, LT, LU, MT, NL, PL, PT, SK, SI, ES, SE, UK, IS, LI, NO, CH, BG, RO, TR, AL, BA, MK, MD, RS, ME, Kosovo

Acest echipament poate funcționa în alte țări non-UE.

Informații privind siguranța

ATENȚIE

Bateriile nu trebuie expuse la căldură excesivă, precum lumina solară, foc sau surse de căldură similare.

Nu așezați niciodată televizorul pe o suprafață instabilă. Acesta poate cădea și poate cauza vătămări corporale grave sau deces. Multe accidente, mai ales cele suferite de către copii, pot fi prevenite prin luarea câtorva măsuri de siguranță elementare, cum ar fi:

- Utilizați comodele sau măsuțele recomandate de către producătorul televizorului.
- Utilizați numai piese de mobilier care pot susține în siguranță televizorul.
- Aveți grijă ca televizorul să nu depășească marginea piesei de mobilier pe care este așezat.
- Nu așezați televizorul pe piese de mobilier înalte (de exemplu, dulapuri sau biblioteci) fără a ancora de un suport adecvat atât piesa de mobilier, cât și televizorul.
- Nu așezați televizorul pe milieuri, fețe de masă sau alte materiale textile aflate între televizor și piesa de mobilier pe care acesta este amplasat.
- Explicați-le copiilor pericolele la care se pot expune dacă se urcă pe mobilă pentru a ajunge la televizor sau la butoanele de comandă.

Măsurile de siguranță de mai sus trebuie luate și în cazul în care mutați televizorul într-un alt loc în vederea depozitării.

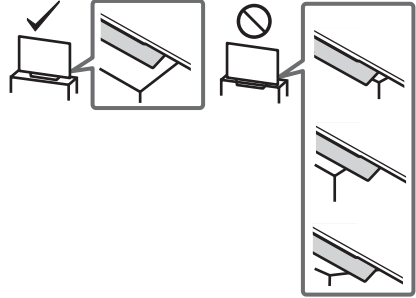
Instalare/Configurare

Instalați și utilizați televizorul conform instrucțiunilor prezentate în continuare, pentru a evita riscurile de incendii, șocurile electrice sau deteriorări/răniri.

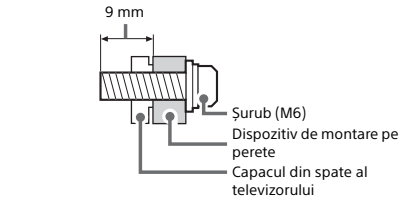
Instalarea

- Televizorul trebuie instalat în apropierea unei prize ușor accesibile.
- Așezați televizorul pe o suprafață dreaptă și stabilă, pentru a evita căderea acestuia și vătămarea corporală sau pagubele materiale.
- Instalați televizorul într-un loc de unde nu poate fi tras, împins sau răsturnat.

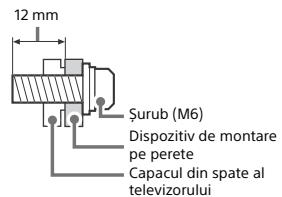
- Instalați televizorul astfel încât suportul de masă al acestuia să nu iasă în afara suportului de televizor (neinclus). Dacă suportul de masă iese în afara suportului de televizor, este posibil ca televizorul să se răstoarne, să cadă și să provoace vătămări corporale sau să se deterioreze.



- Instalarea televizorului pe perete trebuie executată numai de către persoane calificate.
- Din motive de siguranță, se recomandă cu insistență utilizarea accesoriilor Sony, inclusiv:
 - Dispozitiv de montare pe perete SU-WL845 (Numai KD-75XE94xx, KD-65XE93xx)
 - Dispozitiv de montare pe perete SU-WL840 (Numai KD-55XE93xx)
 - Dispozitiv de montare pe perete SU-WL450 (Numai KD-65/55XE93xx)
- Asigurați-vă că folosiți șuruburile furnizate cu dispozitivul de montare pe perete atunci când montați dispozitivul de montare pe perete la aparatul TV. Șuruburile furnizate sunt indicate conform ilustrației atunci când măsurarea se face de la suprafața de montare a dispozitivului de montare pe perete. Diametrul și lungimea șuruburilor diferă în funcție de modelul dispozitivului de montare pe perete. Utilizarea altor șuruburi decât a celor furnizate poate avea ca rezultat deteriorarea internă a televizorului sau căderea acestuia, etc.
 - Dispozitiv de montare pe perete opțional (Numai SU-WL845, SU-WL840)

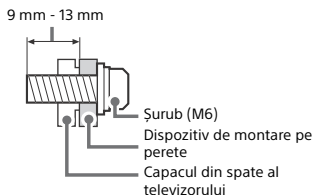


Partea de jos

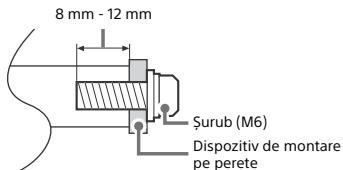


– Dispozitiv de montare pe perete opțional
(Cu excepția SU-WL845, SU-WL840)

KD-75XE94xx

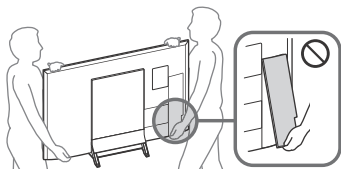
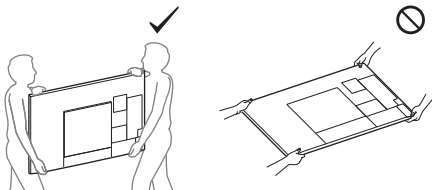


KD-65/55XE93xx

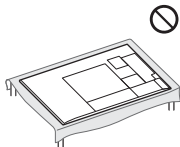


Transportul

- Înainte de a deplasa televizorul, decuplați toate cablurile.
- La transportul unui televizor de mari dimensiuni, este recomandată participarea a două sau trei persoane.
- Când transportați manual aparatul TV, susțineți-l așa cum este prezentat mai jos. Nu forțați panoul LCD sau cadrul din jurul ecranului.

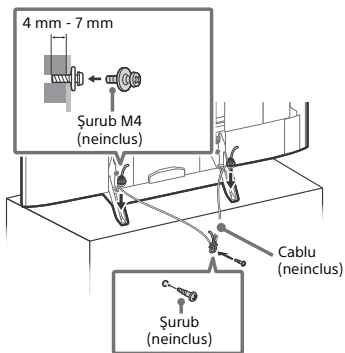
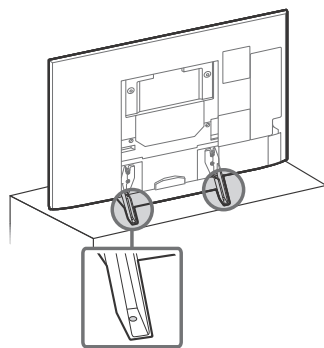


- Atunci când manipulați sau instalați televizorul, nu îl așezați cu fața în jos.



- Feriți televizorul de șocuri mecanice și de vibrații prea puternice în timpul transportului.
- Când duceți aparatul la reparat sau când vă mutați, folosiți ambalajul original.

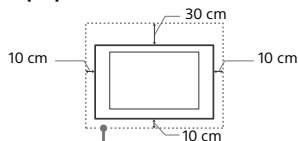
Asigurarea stabilității



Ventilație

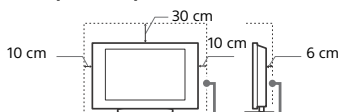
- Nu acoperiți niciodată fantele de aerisire și nu introduceți obiecte în interiorul carcasei aparatului.
- Lăsați suficient spațiu în jurul televizorului, așa cum este indicat mai jos.
- Se recomandă cu insistență să utilizați dispozitivul de montare pe perete furnizat de firma Sony, pentru că acesta asigură o ventilație adecvată.

Instalarea pe perete



Lăsați cel puțin atât spațiu în jurul televizorului.

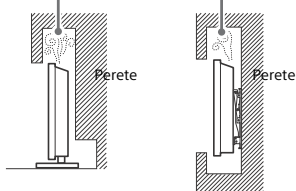
Instalarea pe un suport



Lăsați cel puțin atât spațiu în jurul televizorului.

- Pentru a asigura o ventilație corespunzătoare și a evita adunarea prafului și a murdăriei:
 - Nu așezați televizorul culcat, cu susul în jos, pe spate sau lateral.
 - Nu puneți televizorul pe un raft, pe covor, în pat sau într-un dulap.
 - Nu acoperiți televizorul cu materiale textile, de exemplu cu o draperie, și nici cu alte obiecte, de exemplu ziare etc.
 - Nu instalați televizorul așa cum este arătat mai jos.

Circulația aerului este blocată.



Cablul de alimentare

Pentru a evita riscul de incendii, șocuri electrice sau deteriorări și răniri, manevrați cablul de alimentare și ștecherul respectând următoarele:

- Utilizați exclusiv un cablu de alimentare marca Sony, nu de la alte firme.
- Introduceți complet ștecherul în priză.
- Acest aparat poate funcționa doar la tensiuni de 220 V – 240 V, curent alternativ.
- Când conectați alte cabluri, aveți grijă să decuplați cablul de alimentare, pentru siguranța dvs., și aveți grijă să nu vă încurcați picioarele între cabluri.
- Decuplați cablul de alimentare de la priză înainte de a deplasa sau de a depana televizorul.
- Țineți cablul de alimentare la distanță de sursele de căldură.
- Decuplați ștecherul cablului de alimentare de la priză și curățați-l cu regularitate. Dacă există praful pe ștecher și acesta se umezește, este posibil ca izolația să fie deteriorată, ceea ce poate duce la declanșarea de incendii.

Note

- Nu utilizați la alte echipamente cablul de alimentare furnizat.
- Nu găuriți, nu îndoiți și nu răsuciți excesiv cablul de alimentare. Firele din interior se pot dezizola sau se pot rupe.
- Nu modificați cablul de alimentare.
- Nu așezați obiecte grele pe cablul de alimentare.
- Nu trageți de cablul propriu-zis pentru decuplarea aparatului de la priză.
- Nu conectați prea multe aparate la aceeași priză de rețea.
- Nu utilizați un ștecher care nu se potrivește cu priză.

NOTĂ PRIVIND ADAPTORUL DE REȚEA (numai pentru modelele livrate cu adaptor de priză)

Atenție

Pentru a reduce riscul de incendii sau electrocutare, nu expuneți acest aparat la ploaie sau umezeală.

Pentru a preveni pericolul de incendii sau de lovituri, nu așezați obiecte pline cu lichide, cum ar fi vase, pe aparat. Nu instalați acest echipament într-un spațiu închis, cum ar fi un raft de cărți sau un obiect similar.

- Asigurați-vă că priză de rețea este instalată în apropierea echipamentului și va fi ușor accesibilă.
- Asigurați-vă că folosiți adaptorul de rețea și cablul de conectare la rețea furnizate.
- Nu utilizați niciun alt adaptor de rețea. Acest lucru poate produce o defecțiune.
- Conectați adaptorul de rețea la o priză de rețea ușor accesibilă.
- Nu înfășurați cablul de conectare la rețea în jurul adaptorului de rețea. Miezul firului se poate tăia și/sau poate produce o defecțiune a receptorului media.



- Nu atingeți adaptorul de rețea cu mâinile ude.
- Dacă observați o anomalie la adaptorul de rețea, deconectați-l imediat de la priză de rețea.

- Aparatul nu este deconectat de la rețea atâta vreme cât este conectat la priză de rețea, chiar dacă aparatul în sine a fost oprit.
- Deoarece adaptorul de rețea se va încălzi când este folosit o perioadă îndelungată, este posibil să simțiți că este fierbinte atunci când îl atingeți cu mâna.

Moduri interzise de utilizare

Nu instalați/nu utilizați televizorul în locații, medii înconjurătoare sau situații de genul celor prezentate mai jos, deoarece este posibil ca televizorul să producă incendii, șocuri electrice, deteriorări și/sau leziuni.

Locații:

- În exterior (la lumină solară directă), pe malul mării, pe o navă sau barcă, în interiorul unui vehicul, în instituții medicale, în locuri instabile, în apropierea apei, în locuri supuse la ploaie, umezeală sau fum.

Medii:

- Locuri unde este foarte cald sau umed, unde există mult praful; în spații unde există insecte care pot pătrunde în interior; în locații unde poate fi supus la vibrații mecanice, în apropierea unor obiecte cu flăcări deschise (lumânări, etc.). Televizorul nu trebuie expus la picături sau stropire, și nu trebuie așezate deasupra lui recipiente ce conțin lichide, de exemplu vase.

Situații:

- Utilizare în cazul în care aveți mâinile ude, cu carcasa demontată, sau când există dispozitive atașate care nu au fost recomandate de producător. Decuplați televizorul de la priză, precum și antena de exterior în timpul furtunilor.
- Instalare TV astfel încât să iasă în afară într-un spațiu deschis. Se pot înregistra vătămări corporale sau există pericolul să fie lovit cu diverse obiecte.
- Amplasare TV într-un spațiu cu umiditate sau praful sau într-o încăpere cu fum sau abur cu grăsime (în apropierea spațiilor de gătit sau a umidificatoarelor). Se pot produce incendii, șocuri electrice sau deteriorări.
- Instalare TV în spații expuse la temperaturi extreme, precum în lumina directă a soarelui, în apropierea unui radiator sau a unei surse de căldură. Este posibil ca televizorul să se supraîncălzească într-o astfel de situație lucru ce poate duce la deformarea carcasei și/sau la defectarea televizorului.



- În cazul în care televizorul este așezat în vestiarul unei băi publice sau a unor băi termale, televizorul se poate defecta din cauza sulfului din atmosferă, etc.



- Pentru o calitate optimă a imaginii, nu expuneți ecranul la iluminare sau lumină solară directă.
- Evitați mutarea televizorului dintr-o zonă răcoroasă în alta caldă. Modificările bruște de temperatură ambientală pot crea condens. Aceasta poate duce la distorsionarea imaginii televizorului și/sau la culori estompate. Dacă aceasta este situația, înainte de a conecta din nou televizorul la rețeaua de alimentare, permiteți evaporarea completă a umezelii.

Părți componente sparte:

- Nu aruncați obiecte spre televizor. Sticla ecranului se poate sparge la impact, cauzând răni grave.
- Dacă se sparge carcasa televizorului, nu o atingeți înainte de a decupla cablul de alimentare de la priză. În caz contrar, se pot produce șocuri electrice.

Când aparatul nu este utilizat

- Dacă nu utilizați televizorul câteva zile, decuplați-l de la rețea din motive ecologice și de siguranță.
- Deoarece televizorul nu este decuplat de la rețea dacă este doar oprit, scoateți ștecherul din priză pentru deconectarea completă.
- Unele televizoare pot dispune de opțiuni pentru a căror utilizare este necesar ca televizorul să fie lăsat în standby pentru a funcționa corespunzător.

Pentru copii

- Nu lăsați copiii să se cațere pe televizor.
- Nu lăsați accesoriile de mici dimensiuni la îndemâna copiilor, deoarece pot fi înghițite accidental.

În cazul în care apar următoarele probleme...

Opriiți și decuplați imediat aparatul de la priză dacă survine vreuna dintre problemele prezentate mai jos. Solicitați dealer-ului dvs. sau unui centru de service Sony ca o persoană calificată să verifice televizorul.

Când:

- Este deteriorat cablul de alimentare.
- Ștecherul nu se potrivește cu priză.
- Televizorul a fost deteriorat prin cădere, lovire sau izbirea cu un alt obiect.
- Vreun obiect sau lichid a pătruns în interiorul carcasei.

Despre temperatura televizorului LCD

Când televizorul LCD este utilizat pentru o perioadă îndelungată, zonele din jurul panoului se încălzesc. Este posibil ca zonele respective să fie fierbinți la pipăit.

Măsuri de precauție

Vizionarea la televizor

- Asigurați o iluminare moderată a camerei, deoarece nu este recomandată vizionarea televizorului o perioadă îndelungată de timp, în condiții de iluminare scăzută, deoarece vă poate fi afectată vederea.
- Când utilizați căștile, evitați audierea la un nivel ridicat al volumului, deoarece vă poate fi afectat auzul.

Ecraanul LCD

- Deși ecranul LCD este produs folosindu-se o tehnologie de înaltă precizie și 99,99 % sau mai mult dintre pixeli funcționează, este posibilă existența unor minuscule puncte negre sau a unor luminoase (roșii, albastre sau verzi) care să apară în mod constant pe ecranul LCD. Aceasta este o proprietate structurală a ecranului LCD și nu constituie o disfuncționalitate.
- Nu împingeți și nu zgâriați filtrul frontal, și nu așezați obiecte pe partea de sus a acestui televizor. Imaginea poate deveni neuniformă sau ecranul LCD se poate deteriora.
- Dacă televizorul este utilizat într-un loc cu temperatură scăzută, poate apărea un efect de prelungire neregulată a liniilor orizontale, sau imaginea poate deveni întunecată. Aceasta nu reprezintă o defecțiune. Fenomenul va dispărea pe măsură ce temperatura crește.
- Pot apărea imagini remanente în cazul în care sunt afișate în mod continuu imagini statice. Acestea pot să dispară după câteva momente.
- Ecranul și carcasa se încălzesc când televizorul este în uz. Aceasta nu reprezintă o disfuncționalitate.
- Ecranul LCD conține o cantitate mică de cristale lichide. Respectați instrucțiunile și regulamentele locale în vigoare cu privire la dezafectarea echipamentului.

Manevrarea și curățarea suprafeței ecranului/ carcasei televizorului

Decuplați cablul de alimentare de la priză înainte de a curăța televizorul.

Pentru a evita degradarea materialului sau deteriorarea acoperirii ecranului, respectați următoarele măsuri de precauție.

- Pentru a îndepărta praful de pe ecran și carcasă, ștergeți ușor cu o bucată de pânză moale. Dacă praful este persistent, ștergeți cu o pânză moale, ușor umezită într-o soluție slabă de detergent.
- Nu pulverizați niciodată apă sau detergent direct pe televizor. Poate să picure în partea de jos a ecranului sau pe componentele exterioare și să pătrundă în televizor, provocând astfel defectarea televizorului.
- Nu utilizați niciodată pastă abrazivă, substanțe de curățare alcaline/acide, praf de curățat sau solvenți volatili, cum ar fi alcoolul, benzina, diluantul sau insecticidele. Utilizarea unor astfel de materiale sau contactul prelungit cu materiale din cauciuc sau vinil poate duce la daune ale suprafeței ecranului și materialului carcasei.
- Nu atingeți ecranul televizorului dacă aveți substanțe chimice pe mâini, de exemplu cremă de mâini sau cremă de protecție solară.
- Se recomandă aspirarea periodică a orificiilor de ventilare pentru a asigura ventilarea corespunzătoare.
- Când ajustați unghiul de vizionare al televizorului, deplasați lent aparatul, pentru a evita desprinderea sau alunecarea de pe suportul său stabil.

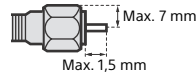


Echipamentul opțional

- Păstrați componentele opționale sau oricare alte dispozitive care emit radiații electromagnetice la distanță de televizor. În caz contrar, pot apărea distorsiuni și/sau zgomot.
- În urma testelor efectuate, s-a stabilit că acest echipament respectă limitele impuse de directiva CEM la utilizarea unui cablu de semnal mai scurt de 3 metri.
- În urma testelor efectuate, s-a stabilit că acest echipament respectă limitele impuse de directiva CEM la utilizarea unui cablu RF mai scurt de 30 de metri pentru portul de antenă/satelit/CATV.

Recomandare privind mufa de tip F

Proiecția firului interior de la partea de conexiune nu trebuie să depășească 1,5 mm.



(Desen de referință al mufei de tip F)

Funcționarea fără fir a unității

- Nu utilizați acest aparat în apropierea echipamentelor medicale (stimulator cardiac, etc.), deoarece poate cauza funcționarea defectuoasă a echipamentului medical.
- Cu toate că această unitate transmite/recepționează semnale codate, trebuie să fiți atenți la interceptările neautorizate. Nu ne asumăm responsabilitatea pentru eventualele probleme care pot apărea.
- Acest echipament se va instala și utiliza păstrând o distanță de cel puțin 20 de cm între antena acestui dispozitiv și corpul utilizatorului.

Măsuri de precauție la manipularea telecomenzii

- Respectați polaritatea corectă când introduceți bateriile.
- Nu utilizați baterii de tip diferit și nu amestecați baterii vechi cu unele noi.
- Dezafectați bateriile în mod ecologic. Este posibil ca, în anumite regiuni, reciclarea bateriilor să fie reglementată prin lege. Vă rugăm consultați autoritățile dvs. locale.
- Manevrați telecomanda cu grijă. Nu o scăpați pe jos, nu călcați pe ea și nici nu vărsați vreun lichid peste aceasta.
- Nu puneți telecomanda într-un loc apropiat de o sursă de căldură, în bătaia directă a razelor soarelui, sau într-o încăpere umedă.

Dezafectarea televizorului



Dezafectarea echipamentelor electrice și electronice vechi (Se aplică pentru țările membre ale Uniunii Europene și pentru alte țări europene cu sisteme de colectare separată)

Acest simbol aplicat pe produs sau pe ambalajul acestuia, indică faptul că acest

produs nu trebuie considerat un deșeu menajer. În schimb, produsul trebuie predat punctelor corespunzătoare de reciclare a echipamentelor electrice și electronice. Asigurându-vă de faptul că acest produs este dezafectat în mod corect, veți ajuta la prevenirea consecințelor negative pentru mediu și pentru sănătatea umană, care, în caz contrar, pot fi afectate de către manipularea și dezafectarea incorectă. Reciclarea materialelor va ajuta la conservarea resurselor naturale. Pentru mai multe detalii legate de reciclarea acestui produs, vă rugăm să contactați primăria din orașul dumneavoastră, serviciul de salubritate local sau magazinul de unde ați cumpărat produsul.



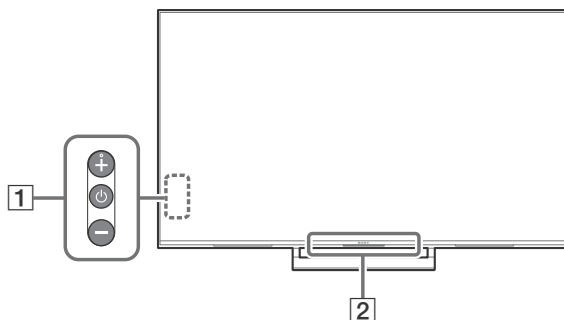
Dezafectarea bateriilor uzate (aplicabil în Uniunea Europeană și alte țări europene cu sisteme de colectare separate)

Acest simbol marcat pe baterie sau pe ambalaj indică faptul că bateria acestui produs nu

trebuie considerată reziduu menajer. Pe anumite tipuri de baterii, acestui simbol i se pot asocia simbolurile anumitor substanțe chimice. Simbolurile pentru mercur (Hg) sau plumb (Pb) sunt adăugate, dacă bateria conține mai mult de 0,0005 % mercur sau 0,004 % plumb. Asigurându-vă de faptul că aceste baterii sunt dezafectate în mod corect, veți ajuta la prevenirea consecințelor negative pentru mediu și pentru sănătatea umană, care, în caz contrar, pot fi afectate de către manipularea și dezafectarea incorectă. Reciclarea acestor materiale va ajuta la conservarea resurselor naturale. În cazul produselor care pentru siguranța, performanța sau integritatea datelor necesită o conexiune permanentă cu bateria încorporată, aceasta trebuie înlocuită numai de către personalul specializat din centrele de service. Pentru a vă asigura că bateriile vor fi dezafectate corespunzător, predați produsul la sfârșitul duratei de funcționare la centrele de colectare pentru deșeurile electrice și electronice. Pentru celelalte tipuri de baterii, vă rugăm să consultați secțiunea în care este explicat modul neprimejdios de îndepărtare a bateriei din produs. Predați bateria uzată la un centru de colectare și reciclare a bateriilor. Pentru mai multe detalii referitoare la reciclarea acestui produs sau a bateriei, vă rugăm să contactați primăria, serviciul de preluare a deșeurilor sau magazinul de unde ați achiziționat produsul.

Părți componente și comenzi

Comenzi și indicatoare



1 ⏻ (Alimentare) /+/-

Dacă TV este oprit,

Apăsați ⏻ pentru pornire.

Dacă TV este pornit,

Țineți apăsat ⏻ pentru a opri televizorul.

Apăsați ⏻ în mod repetat pentru a schimba

funcția, apoi apăsați butonul + sau - pentru a:

- Reglare volum.
- Selectare canal.
- Selectare sursă de intrare pentru TV.

2 **Senzor telecomandă* / Senzor de lumină* / LED de iluminare**

LED-ul de iluminare se aprinde continuu sau intermitent, în funcție de starea televizorului.

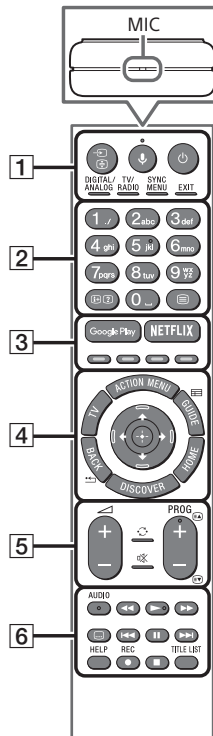
Pentru mai multe informații, consultați Ghidul de asistență.

* Nu poziționați nimic în apropierea senzorului.

Utilizarea telecomenzii

Telecomandă - Descrierea părților componente

Forma, amplasarea, disponibilitatea și funcționarea butonului telecomenzii pot varia în funcție de regiune/țară/modelul televizorului.



1 (Selectare intrare/Reținere text)

În modul TV: Afișați și selectați sursa de intrare.

În modul Text: Reține pagina curentă.

(Microfon)

Utilizați funcția Voce. (de ex., căutarea diferitelor elemente de conținut după voce.)

(TV standby)

Porniți sau opriți televizorul (mod standby).

DIGITAL/ANALOG

Comută între modul digital și modul analogic.

TV/RADIO

Comută între transmisiile TV sau RADIO.

SYNC MENU

Afișează meniul BRAVIA Sync.

EXIT

Revine la ecranul precedent sau părăsește meniul. Când este disponibil un serviciu de aplicație interactivă, apăsați pentru a părăsi serviciul.

2 Butoane numerice

/ (Afișare informații/text)

Afișează informații.

(Text)

Afișează informații de tip text.

3 Google Play

Accesează serviciul online „Google Play”.

NETFLIX (numai pentru anumite țări/ regiuni/modele de televizor)

Accesează serviciul online „NETFLIX”.

Butoane colorate

Execută funcția corespunzătoare la momentul respectiv.

4 ACTION MENU

Afișează o listă de funcții contextuale.

TV

- Comutați la un canal TV sau la intrări de la alte aplicații.
- Porniți televizorul pentru a afișa canalul de televiziune sau pagina de internet.

GUIDE /

Afișează ghidul digital de programe.

BACK /

Revine la ecranul precedent.

HOME

Afișează meniul principal al televizorului.

DISCOVER

Afișează bara de conținut pentru căutarea de conținut.

/ / / / (Selectare element/ Introducere)

5 +/- (Volum)

Reglează volumul.

(Salt)


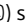
Se alternează între două canale sau intrări. Televizorul alternează între canalul sau intrarea curentă și canalul sau intrarea selectată anterior.

(Anulare sunet)

Reduce volumul sunetului la minimum. Apăsați din nou pentru restabilirea sunetului.

PROG +/- / /

În modul TV: Selectează canalul.

În modul Text: Selectează pagina următoare () sau cea precedentă ()

6 **AUDIO**

Modifică limba pentru programul vizualizat curent.



Operează conținutul media la televizor și la dispozitivul compatibil BRAVIA Sync conectat.

(Setări subtitrare)

Se activează sau se dezactivează subtitrarea (când funcția este disponibilă).

HELP

Afișează meniul de asistență. Ghidul de asistență poate fi accesat de aici.

● **REC**

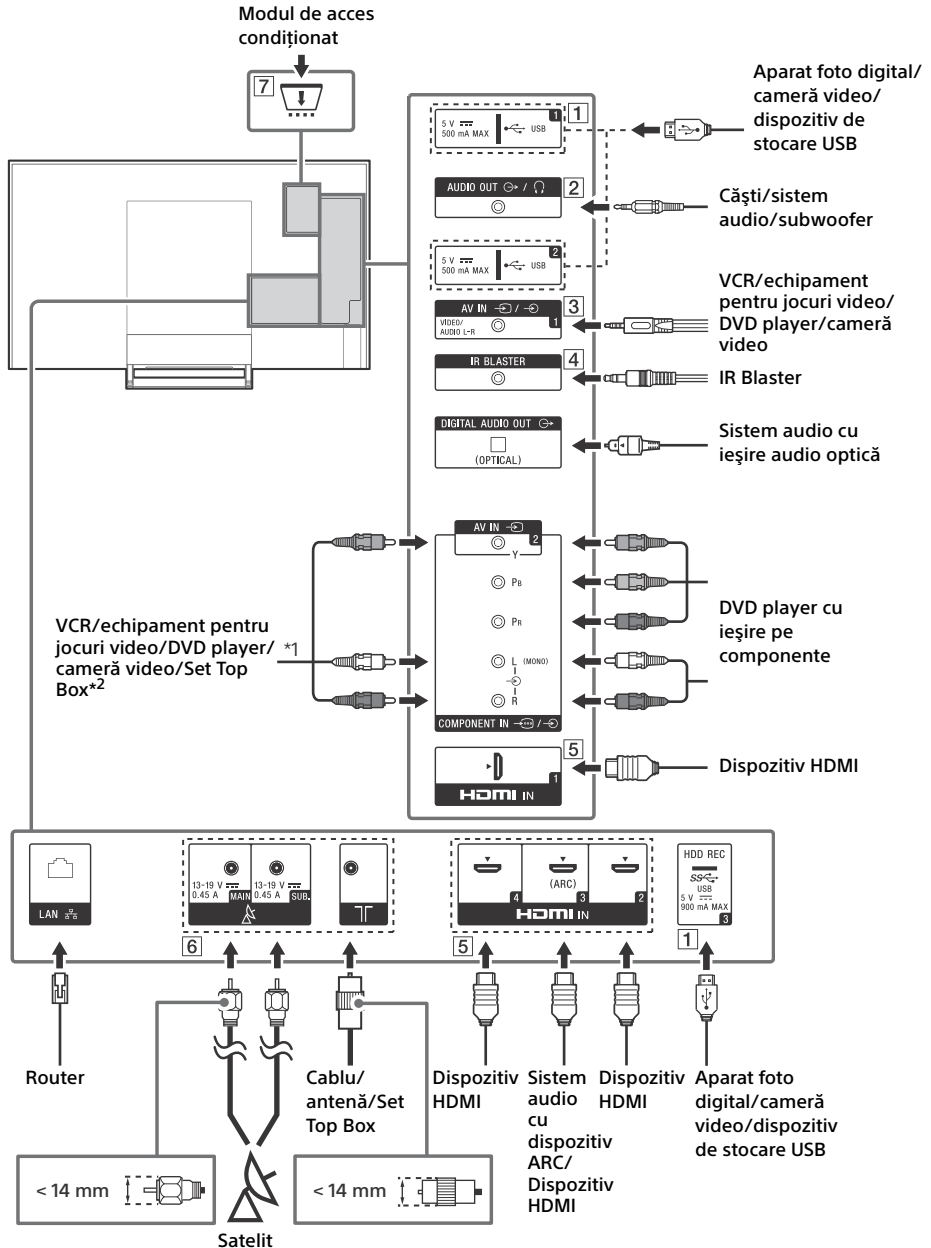
Înregistrează programul curent cu funcția de înregistrare USB HDD.

TITLE LIST

Afișează lista titlurilor.

Schema de conexiuni

Pentru mai multe informații despre conexiuni, consultați Ghidul de asistență prin apăsarea butonului **HELP** de pe telecomandă.



RO

1 **USB 1/2, *SS* USB 3 (HDD REC)*³**

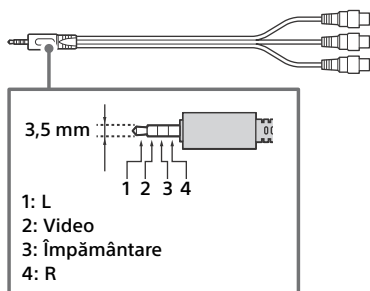
- Conectarea unui dispozitiv USB de mari dimensiuni poate afecta alte dispozitive conectate în afară de acesta.
- La conectarea unui dispozitiv USB de mari dimensiuni, conectați-l la mufa USB 1.

2 **AUDIO OUT**

- Acceptă numai mini-mufă stereo cu 3 pini.
- Pentru a asculta sunetele televizorului prin intermediul echipamentului conectat, apăsați pe **HOME**. Selectați [Setări] → [Sunet] → [Căști/Ieșire audio], apoi selectați elementul dorit.

3 **AV IN 1**

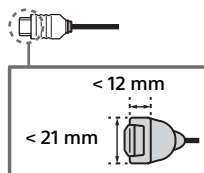
- Pentru o conexiune de tip compozit, utilizați un cablu prelungitor analog (neinclus).



4 **IR BLASTER*³**

5 **HDMI IN 1/2/3/4**

- Dacă se conectează un sistem audio digital compatibil cu tehnologia Audio Return Channel (ARC), utilizați HDMI IN 3. În caz contrar, este necesară o conexiune suplimentară la mufa DIGITAL AUDIO OUT (OPTICAL).



6 **(Intrare satelit), (intrare RF)**

- Conexiuni pentru antenă/cablu și satelit. Ordinea de conectare: SUB. → antenă → MAIN
- Conectați cablul la mufa SUB. numai atunci când utilizați modul cu tuner dublu, cu excepția Distribuției prin cablu unic EN50494.

7 **CAM (modul de acces condiționat)**

- Asigură accesul la serviciile de televiziune cu plată. Pentru detalii, consultați manualul de instrucțiuni furnizat cu modulul dumneavoastră CAM.
- Nu introduceți cartela inteligentă direct în fanta CAM a televizorului. Aceasta trebuie montată în modulul de acces condiționat furnizat de către distribuitorul dumneavoastră autorizat.
- CAM nu este acceptat în unele țări/zone. Consultați-vă cu distribuitorul dumneavoastră autorizat.
- Este posibilă apariția unui mesaj CAM la comutarea la un program digital după utilizarea videoclipurilor de pe internet.

*1 Pentru a conecta un echipament mono folosiți mufa audio L (MONO).

*2 Pentru dispozitive externe cu mufă SCART AV OUT, utilizați un adaptor SCART-RCA.

*3 Numai pentru anumite țări/regiuni/modele de televizor.

Montarea televizorului pe perete

Utilizarea dispozitivului opțional de montare pe perete

Manualul de instrucțiuni al acestui televizor prezintă numai pașii necesari pentru pregătirea instalării televizorului înainte de instalarea acestuia pe perete.

Pentru clienți:

Pentru protecția produsului și din motive de siguranță, Sony recomandă insistent ca instalarea televizorului să fie efectuată numai de către dealeri Sony sau contractori licențiați. Nu încercați să instalați personal televizorul.

Pentru dealerii Sony și contractori:

Acordați atenție maximă aspectelor de siguranță în timpul instalării, întreținerii periodice și examinării produsului.

Acest produs trebuie instalat exclusiv de către un instalator profesionist, instruit să identifice rezistența peretelui care va trebui să susțină greutatea TV. Dacă nu este fixat corespunzător la instalare, TV-ul ar putea cădea și ar putea provoca vătămări grave. Sony nu își asumă răspunderea pentru daunele sau vătămările cauzate de manipularea necorespunzătoare sau instalarea greșită sau instalarea produselor altele decât cel specificat. Drepturile dumneavoastră legale (dacă există) nu sunt afectate.

Utilizați dispozitivul de montare pe perete SU-WL845 (neinclus) (numai pentru KD-75XE94xx și KD-65XE93xx), SU-WL840 (neinclus) (numai pentru KD-55XE93xx) sau SU-WL450 (neinclus) (numai pentru KD-65/55XE93xx) pentru a monta televizorul pe perete.

La instalarea dispozitivului de montare pe perete, consultați și instrucțiunile de utilizare și ghidul de instalare furnizat cu dispozitivul de montare pe perete.

Note

- Depozitați șuruburile demontate într-o locație sigură, fără a le lăsa la îndemâna copiilor.
- Asigurați-vă că pe perete există suficient spațiu pentru TV și că poate susține o greutate de cel puțin șase ori mai mare decât greutatea TV-ului.

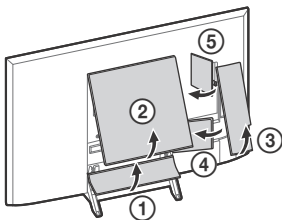


Pentru instrucțiuni privind instalarea dispozitivului de montare pe perete al modelului dumneavoastră de televizor, consultați următorul site:

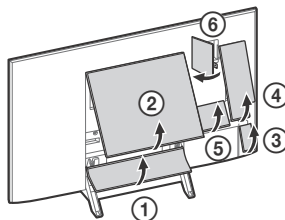
www.sony.eu/tv/wall-mount-bracket-manual

Scoateți capacul suportului și capacele mufelor.

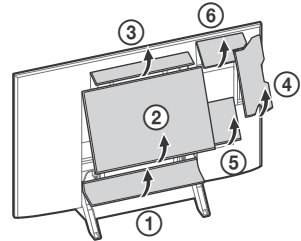
KD-75XE94xx



KD-65XE93xx



KD-55XE93xx

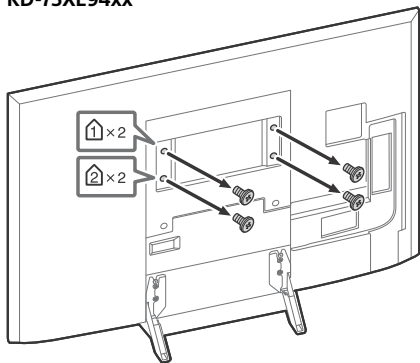


RO

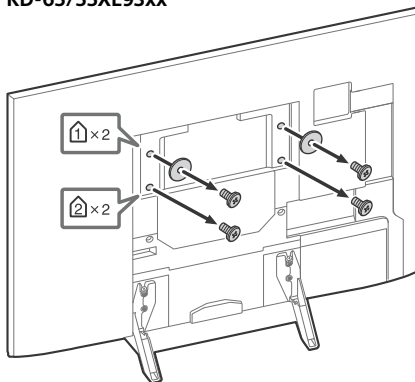
SU-WL845 (KD-75XE94xx, KD-65XE93xx), SU-WL840 (KD-55XE93xx)

Scoateți șuruburile de pe partea din spate a televizorului.

KD-75XE94xx

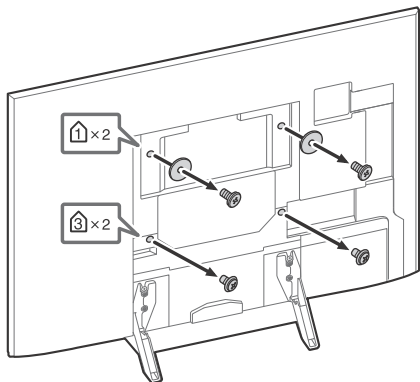


KD-65/55XE93xx

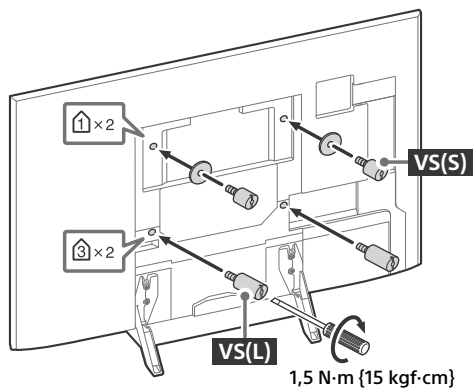


SU-WL450 (Numai KD-65/55XE93xx)

1 Scoateți șuruburile de pe partea din spate a televizorului.



- 2 Prindeți elementul de fixare a dispozitivului de montare pe perete (inclus cu televizorul) pe partea din spate a televizorului (pentru a-l fixa paralel cu peretele).



Note

- Dacă folosiți o șurubelniță electrică, fixați cuplul de strângere la circa 1,5 N·m {15 kgf·cm}.
- Nu uitați să strângeți elementele de fixare a dispozitivului de montare pe perete după ce le montați pe carcasa televizorului.

Folosiți numai o șurubelniță cu cap plat pentru a instala elementele de fixare a dispozitivului de montare pe perete. Utilizarea unei alte unelte poate duce la strângerea excesivă a elementelor de fixare a dispozitivului de montare pe perete și la deteriorarea televizorului.

Numai KD-75XE94xx, KD-55XE93xx

Televizorul se poate monta pe un dispozitiv de montare pe perete (nefurnizat) imediat după scoaterea din ambalaj, în forma în care a fost livrat.

Pregătiți televizorul pentru dispozitivul de montare pe perete înainte de a realiza conexiunile cablurilor.

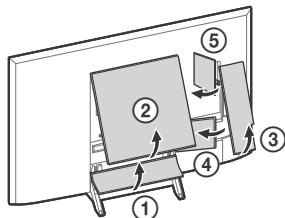
Acest produs trebuie instalat exclusiv de către un instalator profesionist, instruit să identifice rezistența peretelui care va trebui să susțină greutatea TV. Dacă nu este fixat corespunzător la instalare, TV-ul ar putea cădea și ar putea provoca vătămări grave. Sony nu își asumă răspunderea pentru daunele sau vătămările cauzate de manipularea necorespunzătoare sau instalarea greșită sau instalarea produselor altele decât cel specificat. Drepturile dumneavoastră legale (dacă există) nu sunt afectate.

Pentru protejarea produsului și din motive de siguranță, Sony recomandă insistent ca instalarea televizorului pe perete să fie efectuată de către profesioniști calificați. Nu încercați să îl instalați dumneavoastră înșivă pe perete.

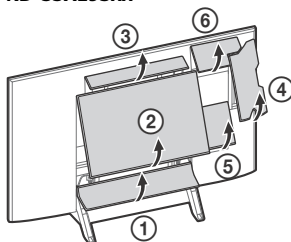
- Respectați instrucțiunile furnizate împreună cu dispozitivul de montare pe perete pentru modelul dumneavoastră.
- Nu omiteți să depozitați șuruburile și suportul de masă la loc sigur până ce sunteți gata să fixați suportul de masă. Nu lăsați șuruburile la îndemâna copiilor.
- Asigurați-vă că pe perete există suficient spațiu pentru TV și că poate susține o greutate de cel puțin șase ori mai mare decât greutatea TV-ului.

1 Scoateți capacul suportului și capacele mufelor.

KD-75XE94xx

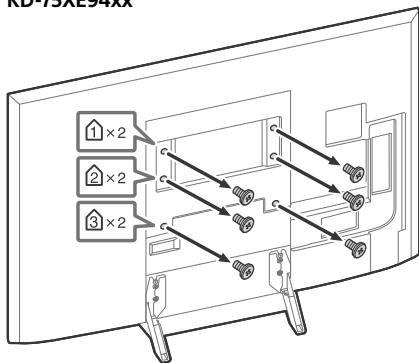


KD-55XE93xx

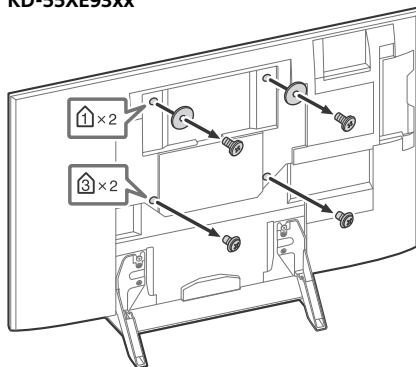


2 Scoateți șuruburile de pe partea din spate a televizorului.

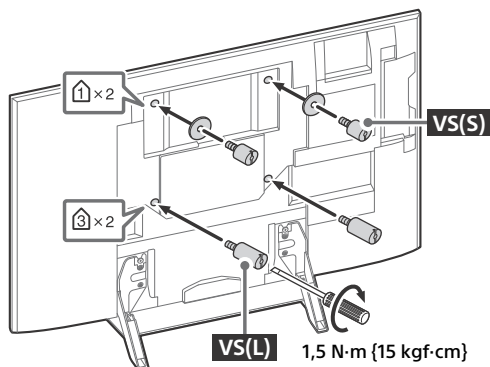
KD-75XE94xx



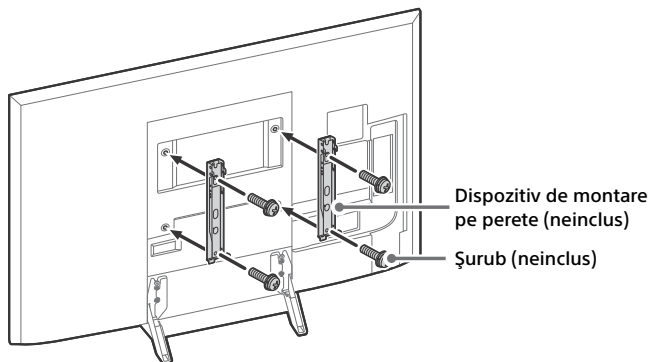
KD-55XE93xx



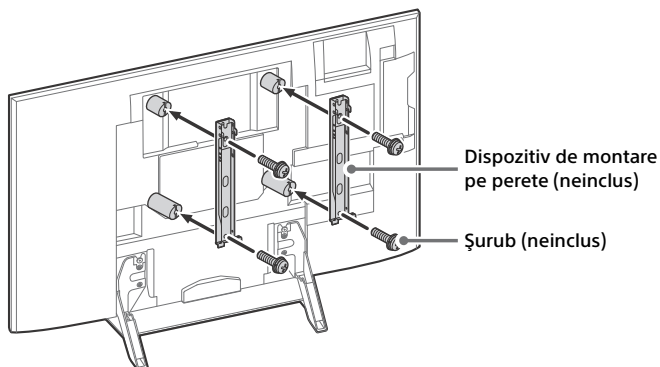
- 3** Prindeți elementul de fixare a dispozitivului de montare pe perete (inclus cu televizorul) pe partea din spate a televizorului (pentru a-l fixa paralel cu peretele). (Numai KD-55XE93xx)



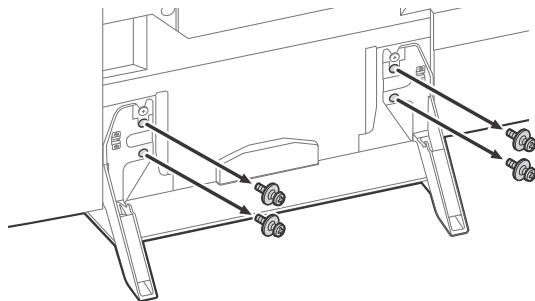
- 4** Fixați dispozitivul de montare pe perete (neinclus) cu ajutorul șuruburilor (neincluse).
KD-75XE94xx



KD-55XE93xx



5 Desprindeți suportul de masă de televizor.



Note

- Dacă folosiți o șurubelniță electrică, fixați cuplul de strângere la circa 1,5 N·m {15 kgf·cm}.
- Nu uitați să strângeți elementele de fixare a dispozitivului de montare pe perete după ce le montați pe carcasa televizorului.
Folosiți numai o șurubelniță cu cap plat pentru a instala elementele de fixare a dispozitivului de montare pe perete. Utilizarea unei alte unelte poate duce la strângerea excesivă a elementelor de fixare a dispozitivului de montare pe perete și la deteriorarea televizorului.
- Nu puteți utiliza unele suporturi pentru cabluri pe partea din spate a televizorului atunci când folosiți un dispozitiv de montare pe perete (neinclus).

Depanare

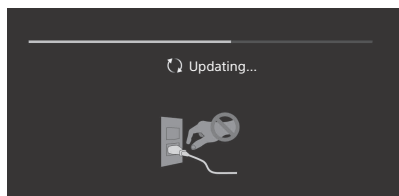
Pentru remedierea problemelor precum: ecran negru, lipsa sunetului, imagine statică, televizorul nu răspunde la comenzi sau pierderea conexiunii la rețea, efectuați pașii de mai jos.

- 1 Reporniți televizorul prin apăsarea butonului de pornire/oprire de pe telecomandă până când se afișează un mesaj. Televizorul repornește. Dacă problema televizorului nu se remediază, scoateți cablul de alimentare din priză, așteptați timp de două minute și reintroduceți-l în priză.
- 2 Consultați meniul de asistență prin apăsarea butonului **HELP** de pe telecomandă.
- 3 Conectați televizorul la internet și actualizați software-ul.
- 4 Vizitați site-ul de asistență Sony (informațiile necesare se află pe capacul din spate).

Atunci când se afișează mesajul [Este disponibilă o nouă actualizare a software-ului pentru sistemul TV...].

Sony vă recomandă în mod expres să actualizați software-ul televizorului prin selectarea opțiunii [Actualiz. acum]. Aceste actualizări îmbunătățesc performanța televizorului sau adaugă funcții noi.

Va apărea ecranul cu mesajul [Updating...] (Actualizare...), iar ledul de iluminare se aprinde intermitent în culoarea albă pe durata actualizării software-ului.



Nu scoateți din priză cablul de alimentare în curent alternativ în timpul actualizării software. Dacă procedați astfel, este posibil ca actualizarea software-ului să nu se finalizeze corespunzător și să determine o defecțiune software. Actualizările software-ului pot necesita până la 15 de minute.

Atunci când îl conectați la priză, este posibil ca televizorul să nu poată fi pornit pentru un timp, chiar dacă apăsați pe butonul de alimentare de pe telecomandă sau de pe televizor.

Inițializarea sistemului durează un anumit timp. Așteptați aproximativ un minut, apoi încercați din nou.

Probleme și soluții

Atunci când ledul de iluminare se aprinde intermitent în culoarea roșie.

- Numărați de câte ori se aprinde intermitent (intervalul de timp este de trei secunde). Reporniți televizorul prin deconectarea cablului de alimentare timp de două minute, apoi porniți televizorul. Dacă problema nu se remediază, scoateți cablul de alimentare din priză și luați legătura cu distribuitorul sau centrul de service Sony și specificați de câte ori s-a aprins intermitent ledul de iluminare.

Televizorul nu recepționează semnale de la antenă/cablu.

- Verificați conectarea antenei (externă)/cablului și setările de amplificare.
- Selectați serviciul de televiziune terestră/prin cablu apăsând butonul **DIGITAL/ANALOG** de pe telecomandă. Dacă serviciul de transmisie nu este afișat, apăsați butonul **TV**, după care apăsați butonul **DIGITAL/ANALOG**.
- Semnalul antenei poate fi bruiațat dacă există un semnal puternic în apropiere. Setări [LNA (CAN ---)] la [Oprit] în setările pentru acord fin digital.
- Dacă v-ați mutat sau încercați să recepționați posturi noi, încercați să căutați posturile prin selectarea opțiunii [Acord semnal digital].

Televizorul nu recepționează semnale de la antena de satelit.

- Verificați dacă este corect conectat cablul antenei de satelit.
- Atunci când se afișează mesajul [Lipsă semnal. Detectat supraîncărcare LNB...], scoateți cablul de alimentare din priză. După aceea, asigurați-vă că este în bună stare cablul antenei de satelit și că nu este scurtcircuitat conectorul cablului de semnal.

Telecomanda nu funcționează.

- Înlocuiți bateriile.

Ați uitat codul pentru blocarea accesului copiilor.

- Introduceți 9999 pentru codul PIN și selectați [Schimbați Codul PIN].

Zonele din jurul televizorului se încălzesc.

- Când televizorul este utilizat pentru o perioadă îndelungată, zonele din jurul televizorului se încălzesc.
Puteți să simțiți căldura dacă atingeți cu mâna aceste zone.

Specificații

Sistem

Tip de panou

Panou LCD (Liquid Crystal Display - Afișaj cu cristale lichide), Iluminare de fundal cu LED

Sistem TV

în funcție de țara/regiunea aleasă/modelul televizorului

Analogic: B/G, D/K, I

Digital: DVB-T/DVB-C

DVB-T2*

Satelit*: DVB-S/DVB-S2

Sistem culoare

PAL, SECAM, NTSC3.58 (Numai video), NTSC4.43 (Numai video)

Acoperire canale

în funcție de țara/regiunea aleasă/modelul televizorului

Analogic: UHF/VHF/Cablu

Digital: UHF/VHF/Cablu

Satelit*: Frecvență IF 950 - 2.150 MHz

Ieșire audio

KD-75XE94xx, KD-65XE93xx: 10 W + 10 W + 10 W + 10 W + 10 W + 10 W

KD-55XE93xx: 5 W + 5 W + 10 W + 10 W + 10 W + 10 W

Tehnologie wireless

Protocol IEEE802.11ac/a/b/g/n

(Este posibil ca, în funcție de țări/regiuni, protocolul IEEE802.11ac să nu fie disponibil.)

Bluetooth versiunea 4.1

Bandă (benzi) de frecvență: WLAN 2,4 GHz/5 GHz, Bluetooth 2,4 GHz

Putere de radiofrecvență transmisă: 100 mW MAX

Versiunea software-ului televizorului:

PKG_..._...EUA

Apăsați butonul **HELP** de pe telecomandă pentru a afla versiunea software-ului.

* Nu toate modelele de televizoare dispun de tehnologia DVB-T2 sau DVB-S/S2 sau de mufă pentru antena de satelit.

Mufe intrare/ieșire

Cablu antenă (exterioară)

Bornă externă 75 ohm pentru VHF/UHF

Antenă de satelit

Conector mamă de tip F, 75 ohm.

DiSEqC 1.0, LNB 13 V/18 V & ton 22 kHz, Distribuție cablu unic EN50494.

 AV IN 1

Intrare video/audio (mini mufă)

COMPONENT IN

YPbPr (video pe componente): 1080p (50, 60 Hz), 1080i (50, 60 Hz), 720p (50, 60 Hz), 576p, 576i, 480p, 480i

Intrare audio (mufe fono)

AV IN 2

Intrare video (pin fono comun cu intrarea Y)

HDMI IN 1, 2, 3, 4 (suport pentru rezoluție 4K, Compatibil cu HDCP 2.2)

Video:

4096 × 2160p (50, 60 Hz)^{*1*2}, 4096 × 2160p (24 Hz)^{*1}, 3840 × 2160p (50, 60 Hz)^{*2}, 3840 × 2160p (24, 25, 30 Hz), 1080p (30, 50, 60 Hz), 1080/24p, 1080i (50, 60 Hz), 720p (30, 50, 60 Hz), 720/24p, 576p, 576i, 480p, 480i, Formate PC

*1 Se afișează un semnal de 3840 × 2160p atunci când semnalul de intrare este 4096 × 2160p.

*2 Numai pentru HDMI IN 2 / 3.


Audio: PCM liniar pe 5,1 canale: 32, 44,1, 48, 88,2, 96, 176,4 și 192 kHz, 16, 20 și 24 biți, Dolby Digital, Dolby Digital Plus și DTS

ARC (Audio Return Channel) (numai pentru HDMI IN 3)

(PCM liniar pe două canale: 48 kHz, 16 biți, Dolby Digital, Dolby Digital Plus, DTS)

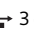
DIGITAL AUDIO OUT (OPTICAL)

Mufă optică digitală (PCM liniar pe două canale: 48 kHz, 16 biți, Dolby Digital, DTS)

AUDIO OUT  (mini mufă stereo)

Căști, ieșire audio, subwoofer

1, 2, SS 3 (HDD REC)^{*1}

Port dispozitiv USB ( 3 dispozitive HDD USB pentru caracteristica REC)

Porturile USB 1 și 2 sunt compatibile cu High Speed USB (USB de mare viteză) (USB 2.0).

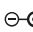
Portul USB 3 este compatibil cu Super Speed USB (USB de foarte mare viteză) (USB 3.0).



Slot CAM (modul de acces condiționat)

LAN

Conector 10BASE-T/100BASE-TX (în funcție de mediul de funcționare a rețelei, viteza conexiunii poate varia. Viteza de comunicare și calitatea conexiunii 10BASE-T/100BASE-TX nu sunt garantate pentru acest televizor.)

 DC IN 24 V (numai pentru modelele livrate cu adaptor de priză)

Intrare adaptor de priză

IR BLASTER^{*1}

Intrare cablu IR Blaster (mini mufă)

Alte

Accesorii opționale

Dispozitiv de montare pe perete: SU-WL845 (Numai KD-75XE94xx, KD-65XE93xx)

Dispozitiv de montare pe perete: SU-WL840 (Numai KD-55XE93xx)

Dispozitiv de montare pe perete: SU-WL450 (Numai KD-65/55XE93xx)

Temperatură de utilizare

0 °C - 40 °C

Umiditate de funcționare

UR 10 % - 80 % (fără condens)

Alimentare, date tehnice ale produsului și alte

Cerințe de alimentare

cu excepția modelelor cu adaptor de priză inclus 220 V - 240 V c.a., 50 Hz

numai pentru modelele cu adaptor de priză inclus 24 V c.c. cu adaptor de priză

Valoare nominală: Intrare 220 V - 240 V c.a., 50 Hz

Clasa de eficacitate energetică

KD-75XE94xx: B

KD-65XE93xx: A

KD-55XE93xx: B

Dimensiunea ecranului (măsurată pe diagonală) (cca.)

KD-75XE94xx: 189,3 cm / 75 țoli

KD-65XE93xx: 163,9 cm / 65 țoli

KD-55XE93xx: 138,8 cm / 55 țoli

Consum de putere

în modul [Standard]

KD-75XE94xx: 298 W

KD-65XE93xx: 164 W

KD-55XE93xx: 137 W

în modul [Strălucitor]

KD-75XE9405: 495 W

KD-65XE9305: 294 W

KD-55XE9305: 227 W

Consum mediu anual de energie^{*2}

KD-75XE94xx: 413 kWh

KD-65XE93xx: 227 kWh

KD-55XE93xx: 190 kWh

Consum de energie în modul standby^{*3*4}

0,50 W (27 W în modul software/actualizare program)

Rezoluție ecran

3.840 puncte (orizontal) × 2.160 linii (vertical)

Mărimi de ieșire nominale

USB 1/2: 5 V, , 500 mA max.

USB 3: 5 V, , 900 mA max.

Dimensiuni (Cca.) (l × î × a)

cu suport de masă

KD-75XE94xx: 167,3 × 103,7 × 32,5 cm

KD-65XE93xx: 145,1 × 91,3 × 29,5 cm

KD-55XE93xx: 123,2 × 79,0 × 28,2 cm

fără suport de masă

KD-75XE94xx: 167,3 × 96,2 × 6,2 cm

KD-65XE93xx: 145,1 × 83,8 × 3,9 cm

KD-55XE93xx: 123,2 × 71,5 × 4,0 cm

Masa (Cca.)

cu suport de masă

KD-75XE94xx: 47,6 kg

KD-65XE93xx: 42,4 kg

KD-55XE93xx: 32,6 kg

fără suport de masă

KD-75XE94xx: 42,8 kg

KD-65XE93xx: 38,2 kg

KD-55XE93xx: 28,6 kg

*1 Numai pentru anumite țări/regiuni/modele de televizor.

*2 Consum de energie pe an, în baza consumului de energie al televizorului, când este în funcțiune 4 ore pe zi pe o perioadă de 365 de zile. Consumul real de energie va depinde de modul în care este utilizat televizorul.

*3 Puterea specificată în modul standby este atinsă după ce televizorul încheie procesele interne necesare.

*4 Consumul de putere în modul standby va crește când televizorul dvs. este conectat la rețea.

Note

- Nu scoateți capacul fantei TV CAM (modul de acces condiționat) din televizor decât pentru a introduce un smart card în CAM.
- Accesoriiile opționale sunt disponibile în funcție de țări/regiune/modelul televizorului/stoc.
- Designul și specificațiile se pot modifica fără notificare prealabilă.

Note privind televiziunea digitală

- Canalele digitale (prin antenă DVB, satelit și cablu), serviciile interactive și funcțiile de rețea pot să nu fie disponibile în toate țările sau regiunile. Este posibil ca unele funcții să nu poată fi activate sau să nu funcționeze corect cu anumiți furnizori de servicii și medii de rețea. Unii furnizori pot solicita taxe pentru serviciile oferite.
- Acest televizor acceptă posturi digitale prin folosirea codecurilor MPEG-2, H.264/MPEG-4 AVC și H.265/HEVC, dar compatibilitatea cu semnalele tuturor operatorilor/serviciilor, care se pot schimba în timp, nu poate fi garantată.

Informații legate de mărci

- Termenii HDMI și HDMI High-Definition Multimedia Interface, precum și sigla HDMI sunt mărci comerciale sau mărci comerciale înregistrate ale HDMI Licensing LLC în Statele Unite și în alte țări.
- Produs sub licență de la Dolby Laboratories.
Dolby, Dolby Audio și simbolul dublu D sunt mărci comerciale ale Dolby Laboratories.
- „BRAVIA” și BRAVIA” sunt mărci comerciale ale Sony Corporation.
- Gracenote, Gracenote eyeQ, Gracenote VideoID, Gracenote Video Explore, sigla și logotipul Gracenote și sigla „Powered by Gracenote” sunt mărci comerciale înregistrate sau mărci comerciale ale Gracenote în Statele Unite și/sau alte țări.
- Opera® Devices SDK. Copyright 1995-2016 Opera TV AS. All rights reserved.
- Wi-Fi, Wi-Fi Direct, Miracast, Wi-Fi Protected Setup și sigla Wi-Fi CERTIFIED sunt mărci comerciale sau mărci comerciale înregistrate ale Wi-Fi Alliance.
- Pentru informații despre brevetele DTS, vizitați <http://patents.dts.com>. Fabricat sub licență primită de la DTS, Inc. DTS, simbolul, & DTS și simbolul împreună sunt mărci comerciale înregistrate, iar DTS Digital Surround este marcă comercială a DTS, Inc. © DTS, Inc. Toate drepturile rezervate.
- Marcajele cu cuvântul Bluetooth® și siglele aferente sunt mărci înregistrate deținute de Bluetooth SIG, Inc. și orice utilizare a acestor marcaje de către Sony Corporation se face sub licență. Alte mărci comerciale și nume comerciale sunt proprietatea respectivilor deținători.
- DiSEqC™ este marcă comercială a EUTELSAT.
Acest televizor acceptă DiSEqC 1.0. Acest televizor nu este proiectat pentru controlul antenelor motorizate.
- TUXERA este marcă comercială înregistrată a Tuxera Inc. în S.U.A. și în alte țări.
- Sigla SuperSpeed USB Trident a USB-IF este o marcă comercială înregistrată a USB Implementers Forum, Inc. 

Съдържание

ВАЖНА ЗАБЕЛЕЖКА	2
Информация за безопасност	3
Предпазни мерки	6
Части и прибори за управление	8
Прибори за управление и индикатори	8
Използване на дистанционно управление	9
Дистанционно управление описание на частите	9
Диаграма на свързване	11
Монтаж на телевизора на стена	13
Използване на опционалната конзола за закрепване към стена	13
SU-WL845 (KD-75XE94xx, KD-65XE93xx), SU-WL840 (KD-55XE93xx)	14
SU-WL450 (Само за KD-65/55XE93xx)	14
Само за KD-75XE94xx, KD-55XE93xx	16
Отстраняване на неизправности	19
Проблеми и решения	19
Спецификации	20

Интернет връзка и защита на личните данни

Този продукт се свързва с интернет по време на първоначалната настройка, веднага след като се свърже с мрежа с цел да се потвърди достъпа до интернет, както и по-късно, за да се конфигурира Home екрана. Вашият IP адрес се използва за тези и всички други свързвания с интернет. Ако не искате вашият IP адрес да се използва изобщо, не настройвайте функцията за безжичен интернет и не свързвайте уреда с интернет по кабел. За повече подробности за интернет връзките, моля, вижте информацията за поверителност, представена в екраните за настройка.

Въведение

Благодарим ви за покупката на този Sony продукт. Преди да започнете работа с телевизора, прочетете ръководството изцяло и го запазете за бъдещи справки.

Забележка

- Преди да работите с телевизора, моля, прочетете "Информация за безопасност" (страница 3).
- Изображенията и илюстрациите, използвани в Ръководството за настройка и в това ръководство, са само за справка и може да се различават от действителния продукт.
- Знакът "хх", който се появява в името на модела, съответства на номер, свързан с дизайна, цвета или системата на телевизора.

Местоположение на Ръководството за настройка

Ръководството за настройка се намира върху стиропора в кашона на телевизора.

Помощ/Помощно ръководство

Функцията за помощ предлага подробна информация за вашия телевизор. За да използвате функцията за помощ, натиснете **HELP** от дистанционното управление. Можете да намерите съвети и отстраняване на неизправности в списъка или с търсене по ключова дума. Изберете [Помощно ръководство] от менюто с помощ, за да прегледате ръководството. Ако свържете своя телевизор с интернет, функцията за помощ и информацията ще се актуализират своевременно.

Място на идентификационния етикет

Етикетите за номер на модела, дата на производство (година/месец) и клас на захранване, са разположени на гърба на телевизора или опаковката. Могат да бъдат намерени чрез премахване на капака на стойката и централния капак.

За модели, които се доставят със захранващ адаптор:

Етикетите за номер на модел и сериен номер на захранващия адаптор са разположени отдолу на захранващия адаптор.

ПРЕДУПРЕЖДЕНИЕ

ЗА ДА
ПРЕДОТВРАТИТЕ
ИЗБУХВАНЕ НА ПОЖАР,
ВИНАГИ ДРЪЖТЕ СВЕЩИ
ИЛИ ДРУГИ ИЗТОЧНИЦИ НА
ОГЪН ДАЛЕЧ ОТ ТОЗИ
ПРОДУКТ.



ВАЖНА ЗАБЕЛЕЖКА

Този продукт е произведен от или от името на Sony Corporation, 1-7-1 Konan Minato-ku Tokyo, 108-0075 Япония. Запитвания за съответствие на продуктите съгласно законодателството на Европейския съюз, следва да се отправят към Упълномощения представител Sony Belgium, bijkantoor van Sony Europe Limited, Da Vincilaan 7-D1, 1935 Zaventem, Белгия. За въпроси, свързани със сервиз и гаранция, моля използвайте адресите, посочени в придружаващите сервизни или гаранционни документи.

Забележка за радио оборудване



С настоящото Sony Corporation декларира, че радио оборудването тип KD-75XE9405, KD-65XE9305, KD-55XE9305 е в съответствие със съществените изисквания и други приложими разпоредби на Директивата 1999/5/EC. За повече информация, моля, посетете следния URL адрес: <http://www.compliance.sony.de/>

Това радио оборудване може да се използва в ЕС, без да се нарушават приложимите изисквания относно използването на радиочестотния спектър.

Забележка за потребители: следната информация се отнася само за оборудване, продавано в страни, където се прилагат директивите на ЕС.

Безжичната телевизионна система може да се използва в следните държави:

AT, BE, HR, CY, CZ, DK, EE, FI, FR, DE, EL, HU, IE, IT, LV, LT, LU, MT, NL, PL, PT, SK, SI, ES, SE, UK, IS, LI, NO, CH, BG, RO, TR, AL, BA, MK, MD, RS, ME, Косово

Това оборудване може да се използва в други неевропейски страни.

Информация за безопасност

ВНИМАНИЕ

Батериите не трябва да се излагат на прекалена топлина, например слънчева светлина, огън или подобни. Никога не слагайте телевизор на нестабилни повърхности.

Телевизорът може да падне и да причини сериозно нараняване или смърт. Много наранявания, особено при деца, могат да се избегнат, като се вземат прости предпазни мерки като:

- Използване на шкафове и стойки, препоръчани от производителя на телевизора.
- Използване само на мебели, които могат безопасно да издържат тежестта на телевизора.
- Да се внимава телевизорът да не излиза извън ръба на мебелите, на които е поставен.
- Телевизорът да не се поставя върху високи мебели (например шкафове или библиотеки), без да бъдат фиксирани към подходяща опора и телевизорът и съответната мебел.
- Да не се поставя телевизора върху плат или други материали, които могат да се намират между телевизора и мебелите, на които е поставен.
- Да се обяснят на децата опасностите от катерене по мебелите, за да се достигне телевизорът или неговите органи за управление.

Ако при преместване запазите настоящия си телевизор, следва да вземете предвид същите съображения, както гореизложените.

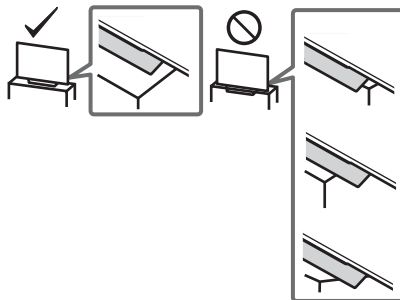
Инсталация/Настройка

Инсталирайте и използвайте телевизора в съответствие с инструкциите, описани по-долу, за да избегнете риск от пожар, токов удар или повреда и/или наранявания.

Инсталация

- Телевизорът трябва да бъде инсталиран близо до лесно достъпен контакт.
- Поставете телевизора на стабилна, равна повърхност, за да избегнете паднето му, което може да причини нараняване на човек или повреда на имущество.
- Монтирайте телевизора на място, където не може да бъде дръпнат, бутнат или преобърнат.

- Поставете телевизора така, че поставката за маса на ТВ да не е стърчи от масата, на която е поставен телевизора (не се доставя). Ако поставката за маса е издадена навън спрямо масата, на която е поставен телевизора, това може да доведе до преобръщане или падане на телевизора и да доведе до нараняване на човек или повреда на телевизора.



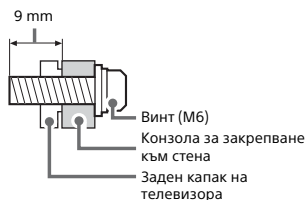
- Монтажът на устройството към стената трябва да се извърши само от квалифициран персонал.
- За по-голяма безопасност ви препоръчваме да използвате оригиналните аксесоари на Sony, включително:
 - Конзола за закрепване към стена SU-WL845 (Само за KD-75XE94xx, KD-65XE93xx)
 - Конзола за закрепване към стена SU-WL840 (Само за KD-55XE93xx)
 - Конзола за закрепване към стена SU-WL450 (Само за KD-65/55XE93xx)

- На всяка цена използвайте приложените винтове към конзолата за закрепване към стена, когато закачате конзолата за закрепване към стена към телевизора. Приложените винтове са проектирани както е показано на илюстрацията, измерването е направено спрямо закачващата повърхност на конзолата за закрепване към стена. Диаметърът и дължината на винтовете се различават в зависимост от модела на конзолата за закрепване към стена.

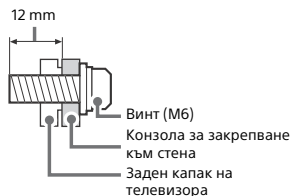
Използването на винтове, различни от тези в комплекта на конзолата, може да доведе до вътрешни повреди на телевизора или да стане причина за падането му и т.н.

- Допълнителна конзола за закрепване към стена (Само за SU-WL845, SU-WL840)

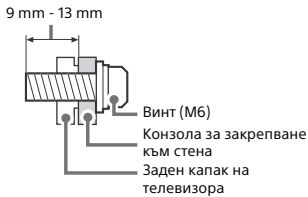
Горна страна



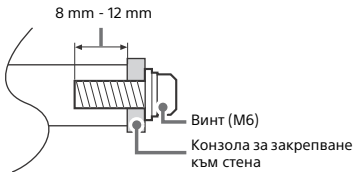
Долна страна



– Допълнителна конзола за закрепване към стена
(Без SU-WL845, SU-WL840)
KD-75XE94xx

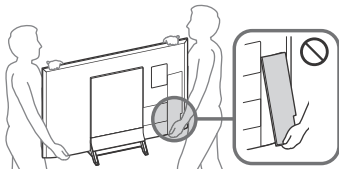
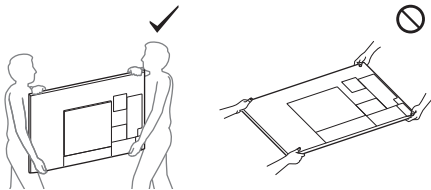


KD-65/55XE93xx

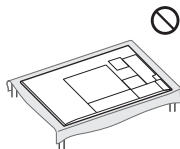


Пренасяне

- Преди да местите телевизора, изключете всички кабели от него.
- Пренасянето на голям телевизор изисква двама или повече души.
- Когато местите телевизора на ръце, дръжте го, както е показано по-долу. Не натискайте LCD панела и рамката около екрана.

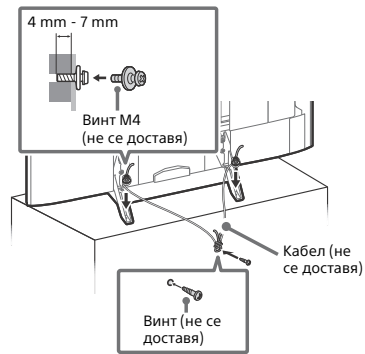
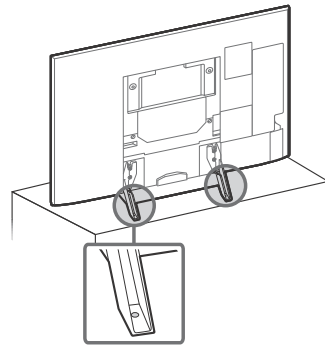


- Когато боравите с телевизора или го закрепвате, не го слагайте легнал.



- При пренасяне не излагайте телевизора на сътресения или прекалени вибрации.
- Когато пренасяте телевизора при ремонт или при смяна на жиловката, пакетирайте го, като използвате оригиналната опаковка и материали за пакетирание.

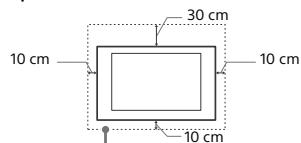
Предотвратяване на падане



Вентилация

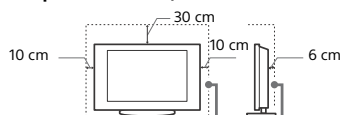
- Никога не покривайте вентилационните отвори и не вкарвайте предмети в корпуса.
- Оставете свободно място около телевизора както е показано по-долу.
- Препоръчително е да използвате оригиналната конзола за монтиране към стена на Sony, за да осигурите достатъчна циркулация на въздуха.

Инсталация на стена



Оставете най-малко толкова място около устройството.

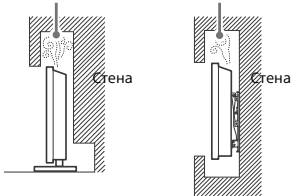
Инсталиране с помощта на поставка



Оставете най-малко толкова място около устройството.

- За да постигнете правилна вентилация и за да предотвратите събирането на прах или мръсотия:
 - Не слагайте телевизора легнал, не го монтирайте обърнат с горния край надолу, наопаки или странично.
 - Не слагайте телевизора върху рафтове, килим, легло или в дрешник.
 - Не покривайте телевизора с парчета плат, като пердетата или с други предмети, като вестници и др.
 - Не инсталирайте телевизора, както е показано по-долу.

Циркулацията на въздух е блокирана.



Захранващ кабел

За да предотвратите риск от пожар, токов удар, повреда и/или нараняване, работете със захранващия кабел както следва:

- Използвайте само оригинален захранващ кабел на Sony. Не използвайте други марки.
- Вкарайте щепсела плътно и докрай в контакта.
- Включвайте телевизора само към променливотоково захранване от 220 V - 240 V.
- Когато прокарвате кабели, за ваша безопасност се уверете, че сте изключили захранващия кабел; внимавайте да не се спънете в кабелите.
- Изключете захранващия кабел от мрежата от 220 V, преди да работите или местите телевизора.
- Пазете захранващия кабел далеч от източници на топлина.
- Изключете захранващия кабел и го почиствайте редовно. Ако захранващият кабел е замърсен или прашен и по него се образува влага, izolацията му може да се наруши и това може да доведе до пожар.

Забележка

- Не използвайте приложения захранващ кабел с друго оборудване.
- Не дупчете, не огъвайте и не усуквайте прекомерно захранващия кабел. Вътрешните проводници могат да се оголят или прекъснат.
- Не преправяйте захранващия кабел.
- Не поставяйте тежки предмети върху захранващия кабел.
- Не дърпайте самия захранващ кабел, когато го изключавате от контакта.
- Не свързвайте твърде много устройства към един и същи контакт.
- Не използвайте контакт, който не захваща стабилно щепсела.

БЕЛЕЖКА ОТНОСНО ЗАХРАНВАЩИЯ

АДАПТОР (само модели с доставен захранващ адаптор)

Предупреждение

За да намалите опасността от пожар или електрически удар, не излагайте апарата на дъжд или влага.

За да предотвратите пожар или токов удар, не поставяйте предмети, пълни с вода, например вази, върху апарата. Не монтирайте това оборудване в затворено пространство, например библиотека или подобна мебел.

- Моля, уверете се, че електрическият контакт е монтиран близо до оборудването и е лесно достъпен.
- Уверете се, че използвате доставените захранващ адаптор и кабел.
- Не използвайте никакъв друг захранващ адаптор. Това може да причини неизправност.
- Свържете захранващия адаптор към лесно достъпен електрически контакт.
- Не навивайте захранващия кабел около захранващия адаптор. Вътрешният проводник може да прекъсне и това да причини неизправност на приемника.

- Не докосвайте захранващия адаптор с влажни ръце.
- Ако забележите изменения в захранващия адаптор, изключете го от електрическия контакт незабавно.



- Телевизорът не е изключен от захранването, докато е свързан към електрическия контакт, дори ако самият телевизор е изключен.
- Понеже захранващият адаптор се затопля, ако се използва продължително, може да почувствате топлина, когато го докоснете с ръка.

Забранена употреба

Не инсталирайте/използвайте телевизора на следните места или в ситуациите, описани по-долу. В противен случай телевизорът може да се повреди и да причини пожар, токов удар, повреда и/или нараняване.

Местонахождение:

- На открито (пряка слънчева светлина), на морския бряг, на кораб или друг плавателен съд, във вътрешността на превозно средство, в медицински заведения, на нестабилни повърхности, близо до вода, изложен на дъжд, влага или пушек.

Околна среда:

- Места, които са горещи, влажни или прекалено прашни; Там, където може да влязат насекоми; Където може да бъде изложен на механични вибрации, в близост до запалими предмети (свещи и др.). Телевизорът трябва да бъде предпазен от поливане с течности; не поставяйте в близост до устройството предмети, пълни с течности, като например вази.

Ситуации:

- Не използвайте, ако сте с мокри ръце, когато капакът на устройството е свален или с аксесоари, които не са препоръчани от производителя. По време на гръмотевични бури изключвайте телевизора от контакта и също изваждайте антенния кабел.
- Не монтирайте телевизора така, че да стърчи. Може да възникне нараняване или повреда от сблъсък на човек или предмет в телевизора.



- Не поставяйте телевизора на влажно или прашно място, или в стая с мазен дим или пара (близо до кухненски плотове или овлажнителни). Може да възникне пожар, електрически удар или деформация.
- Не поставяйте телевизора на места, изложени на високи температури, например директна слънчева светлина, близо до радиатор или отоплително тяло. В такива условия телевизорът може да прегрее, което да причини деформация на корпуса и/или повреда на телевизора.



БЕЛЕЖКА ОТНОСНО ЗАХРАНВАЩИЯ АДАПТОР (само модели с доставен захранващ адаптор)

Предупреждение

За да намалите опасността от пожар или електрически удар, не излагайте апарата на дъжд или влага.

За да предотвратите пожар или токов удар, не поставяйте предмети, пълни с вода, например вази, върху апарата. Не монтирайте това оборудване в затворено пространство, например библиотека или подобна мебел.

- Моля, уверете се, че електрическият контакт е монтиран близо до оборудването и е лесно достъпен.
- Уверете се, че използвате доставените захранващ адаптор и кабел.
- Не използвайте никакъв друг захранващ адаптор. Това може да причини неизправност.
- Свържете захранващия адаптор към лесно достъпен електрически контакт.
- Не навивайте захранващия кабел около захранващия адаптор. Вътрешният проводник може да прекъсне и това да причини неизправност на приемника.



- Ако телевизорът бъде поставен в съблекална на обществена баня или минерална баня, телевизорът може да се повреди от сярата във въздуха и др.



- За най-добро качество на картината, не излагайте екрана на директно осветяване или слънчева светлина.
- Избягвайте преместването на телевизора от студено на топло място. Внезапните промени в температурата на стаята могат да причинят конденз на влага. Това може да е причина за показване на лоша картина и/или лоши цветове. В такъв случай изчакайте влагата да се изпари напълно, преди да включите телевизора.

Счупени парчета:

- Не хвърляйте нищо към телевизора. Стъклото на екрана може да се счупи и да експлодира при удара и да причини сериозни наранявания.
- Ако повърхността на дисплея се пропука, не я докосвайте, докато не изключите захранващия кабел. В противен случай това може да причини токов удар.

Когато не използвате устройството

- Поради причини, свързани с безопасността и околната среда, ви препоръчваме да изключвате телевизора от мрежата, когато не планирате да го използвате няколко дни.
- Телевизорът не е изключен от мрежата, когато е изключен от копчето. За да изключите напълно устройството, изключете кабела на захранването от електрическата мрежа.
- Някои телевизори притежават функции, които изискват устройството да бъде оставено в режим Готовност.

Относно децата

- Не позволявайте на деца да се качват върху телевизора.
- Пазете малките аксесоари далеч от деца, за да не бъдат поглънати от тях по невнимание.

Ако възникнат следните проблеми...

Независно изключете телевизора и извадете захранващия кабел в случай, че възникне някоя от следните проблеми. Консултирайте се с вашия Sony доставчик или с упълномощен сервизен служител на Sony дали е необходимо телевизорът да бъде проверен от квалифициран сервиз.

Когато:

- Захранващият кабел е повреден.
- Нездото на контакта не захваща стабилно щепсела.
- Телевизорът е повреден, понеже е изпуснат, ударен или нещо е хвърлено по него.
- Течни или твърди предмети са попаднали в отворите на корпуса.

Относно температурата на LCD телевизора

Когато LCD телевизорът се използва продължително време, рамката около панела се затопля. Може да усетите топлина, ако я докоснете.

Предпазни мерки

Гледане на телевизия

- Гледайте телевизия в средно осветена стая, тъй като гледането на телевизия в слабо осветена стая натоварва допълнително очите ви.
- Когато използвате слушалки, настройте силата на звука така, че да предотвратите увреждане на слуха.

LCD екран

- Въпреки че LCD екранът е изработен по високо-прецизна технология и повече от 99,99 % от пикселите му са ефективни, върху LCD екрана може трайно да се появят черни или светли точки (червени, сини или зелени). Това е структурна особеност на LCD панела и не представлява неизправност.
- Не натискайте и не драскайте предния филтър и не поставяйте предмети върху устройството. Изображението може да е неравномерно или LCD панелът може да се повреди.
- Ако използвате устройството на студено място, картината може да се замъгли или да стане по-тъмна. Това не е неизправност. Този феномен изчезва, когато температурата се повиши.
- Когато на екрана продължително време са показани неподвижни изображения, възможно е да се появят остатъчни образи. Те могат да изчезнат след няколко секунди.

- Екранът и корпусът се затоплят, когато използвате устройството. Това не е неизправност.
- LCD екранът съдържа малко количество течни кристали. Следвайте местните правила и закони за изхвърляне на подобни отпадъци.

Поддръжка и почистване на повърхността на екрана/корпуса на телевизора

Уверете се, че сте изключили свързания към телевизора захранващ кабел, преди да започнете почистване.

За да предотвратите повреда на покритието на екрана, следвайте инструкциите, изброени по-долу.

- За да премахнете праха от повърхността на екрана/корпуса, почиствайте с меко сухо парче плат. Ако полепналият прах не може да се почисти, почиствайте екрана с меко парче плат, леко навлажнено със слаб почистващ разтвор.
- Никога не пръскайте вода или разтвор директно върху телевизора. По екрана или външните части, може да се образуват капки, които да потекат, да навлезат в долната част на телевизора и да го повредят.
- Не използвайте грапави парчета плат, почистващи препарати на алкална/киселинна основа, почистващи прахове или разтвори, като например алкохол, бензол, разредител или инсектицид. Използването на такива вещества или продължителният контакт с гума или винил може да повреди повърхността на екрана или повърхността на корпуса на устройството.
- Не пийте телевизора, ако ръката Ви е покрита с химично вещество като крем за ръце или слънцезащитен крем.
- Препоръчва се периодично почистване с прахосмукачка на отворите за проветряване с цел осигуряване на правилна вентилация.
- Когато регулирате ъгъла на телевизора, местете бавно устройството, за да предотвратите изместване на телевизора или падане от масата или стойката.

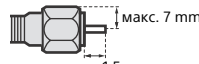


Допълнително оборудване

- Не дръжте близо до телевизора допълнителните компоненти или каквото и да е било оборудване, излъчващо електромагнитни вълни. В противен случай е възможно картината и/или звукът да бъдат със смущения.
- Това оборудване е тествано и съответства на изискванията на Директива EMC, като използва свързващ кабел по-къс от 3 метра.
- Това оборудване е тествано и съответства на изискванията на Директива EMC, като използва RF кабел по-къс от 30 метра за наземен/сателитен/CATV терминал.

Препоръки за конектор тип F

Втрешният проводник трябва да е издвоен спрямо свързващата част най-малко 1,5 mm.



(Препоръчителна схема на конектор тип F)

Безжична функция на продукта

- Не работете с този уред в близост до медицинско оборудване (пейсмейкър и пр.), тъй като това може да доведе до неизправност на медицинското оборудване.
- Макар, че този уред предава/приема кодирани сигнали, внимавайте за неотризирано прихващане. Sony не носи отговорност за възникнали в резултат проблеми.
- Това оборудване трябва да се инсталира и използва така, че да има разстояние от поне 20 cm или повече между антената на това устройство и тялото на човек.

Внимание при работа с дистанционното управление

- Съблюдавайте правилната полярност при поставяне на батериите.
- Не използвайте съвместно батерии от различен тип, както и стари и нови батерии.
- Изхвърляйте изразходваните батерии по щадящ околната среда начин. В някои населени места е възможно изхвърлянето на батериите да е регулирано нормативно. Консултирайте се с местните власти.
- Работете внимателно с дистанционното управление. Не го изпускайте, не стъпвайте върху него и не изливайте никакви течности върху него.
- Не поставяйте дистанционното управление в близост до източници на топлина, на пряка слънчева светлина или в стая с повишена влажност.

Изхвърляне на телевизора



Третиране на стари електрически и електронни уреди (приложимо в Европейския съюз и други Европейски страни със системи за разделно събиране на отпадъци)

Този символ върху устройството или върху неговата опаковка показва, че този продукт не трябва да се третира като домакински отпадък. Вместо това той трябва да бъде

предаден в съответния събирателен пункт за рециклиране на електрически и електронни уреди. Като предадете този продукт на правилното място, Вие ще помогнете за предотвратяване на негативните последици за околната среда и човешкото здраве, които биха възникнали при изхвърлянето му на неподходящо място. Рециклирането на материалите ще спомогне да се съхранят природните ресурси. За подробна информация относно рециклирането на този продукт можете да се обърнете към местната градска управа, фирмата за събиране на битови отпадъци или магазина, откъдето сте закупили продукта.

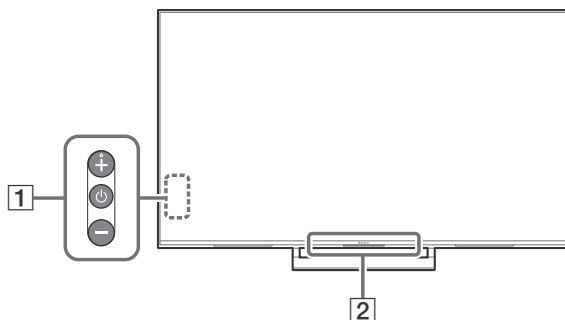


Третиране на използвани батерии (приложимо в Европейския Съюз и други европейски държави със системи за разделно събиране на отпадъците)

Този символ върху батерията или върху опаковката показва, че батерията, доставена с този продукт, не трябва да се третира като домакински отпадък. При някои батерии този символ се използва в комбинация с означение на химически елемент. Означението на химическия елемент живак (Hg) или олово (Pb) се добавя ако батерията съдържа повече от 0,0005 % живак или 0,004 % олово. Като предадете тази батерия на правилното място, Вие ще помогнете за предотвратяване на негативните последици за околната среда и човешкото здраве, които биха възникнали при изхвърлянето им на неподходящо място. Рециклирането на материалите ще спомогне да се съхранят природните ресурси. За продукти, които от гледна точка на безопасност, правилен начин на действие или съхранение на данни изискват батерията да бъде постоянно свързана (вградена), тази батерия трябва да бъде подменяна само от квалифициран сервизен персонал. За да сте сигурни, че вградената батерия ще бъде третирана правилно, предайте стария продукт в събирателен пункт за рециклиране на електрически и електронни уреди. За всички останали батерии моля прочетете в упътването как да ги извадите по безопасен начин от продукта. Предайте батериите в събирателния пункт за рециклиране на използвани батерии. За подробна информация относно рециклирането на този продукт или батерия можете да се обърнете към местната градска управа, фирмата за събиране на битови отпадъци или магазина, откъдето сте закупили продукта.

Части и прибори за управление

Прибори за управление и индикатори



- 1** ⏻ (Захранване) /+/-
Когато телевизорът е изключен,
Натиснете ⏻, за да го включите.
Когато телевизорът е включен,
Натиснете и задръжте ⏻ за да изключите.
Натиснете ⏻ многократно, за да промените функцията, след това натиснете бутона + или -, за да:
- Регулиране силата на звука.
 - Избор на канал.
 - Избор на входящ източник за телевизора.

- 2** Сензор за дистанционното управление* / Светлинен сензор* / LED осветление

LED осветлението свети или мига в зависимост от състоянието на телевизора.

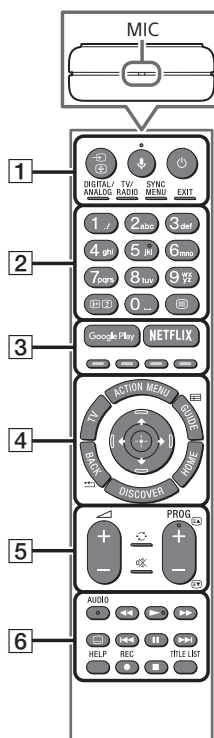
За повече информация вижте в Помощното ръководство.

* Не поставяйте нищо в близост до сензора.

Използване на дистанционно управление

Дистанционно управление описание на частите

Разположението, формата, наличността и функциите на бутоните на дистанционното управление могат да се различават в зависимост от региона/държавата/модела на телевизора.



1 / (Избор на вход/Задържане на текст)

В ТВ режим: Показва и избира входния източник.

В режим Текст: Задръжа текущата страница.

(Микрофон)

Използвайте гласовата функция. (напр. Търсете съдържание като говорите.)

(ТВ готовност)

Включва или изключва телевизора (режим Готовност).

DIGITAL/ANALOG

Превключва между цифров и аналогов режим.

TV/RADIO

Превключва между TV или RADIO предавания.

SYNC MENU

Показва BRAVIA Sync Menu.

EXIT

Връща към предишен екран или излиза от менюто. Когато работи Интерактивно приложение, натиснете, за да излезете от услугата.

2 Бутони с цифри

(Инфо/Показване на текст)

Показва информация.

(Текст)

Показва текстова информация.

3 Google Play

Дава достъп до онлайн услугата "Google Play".

NETFLIX (Само за определени региони/страни/модели телевизори)

Дава достъп до онлайн услугата "NETFLIX".

Цветни бутони

Изпълняват определена функция съответстваща в момента.

4 ACTION MENU

Показва списък с функции в зависимост от контекста.

TV

- Превключва към телевизионен канал или вход от други приложения.
- Включва телевизора, за да се покаже телевизионен канал или входен сигнал.

GUIDE/

Показва справочника на цифровите програми.

BACK/

Връща към предишен екран.

HOME

Показва меню Ноте на телевизора.

DISCOVER

Показва лентата със съдържанието за търсене на съдържание.

▲/▼/↶/↷/⊕ (Избор на елемент/ Въвеждане)

5 +/- (Сила на звука)

Настройва силата на звука.

(Прескачане)

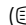
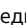
Прескача назад или напред между два канала или входа. Телевизорът сменя текущия канал или вход с последния избран канал или вход.

(Заглушаване)

Изключва звука. Натиснете отново, за да възстановите звука.

PROG +/-/**/**

В ТВ режим: Избира канал.

В режим Текст: Избира следващата () или предишната () страница.

6 **AUDIO**

Променя езика за програмата, която гледате в момента.



Управлява мултимедийно съдържание от телевизора и свързани съвместими с BRAVIA Sync устройства.

(Настройка на субтитрите)

Включва или изключва субтитрите (когато функцията е налична).

HELP

Показва помощно меню. От тук може да се използва Помощното ръководство.

REC

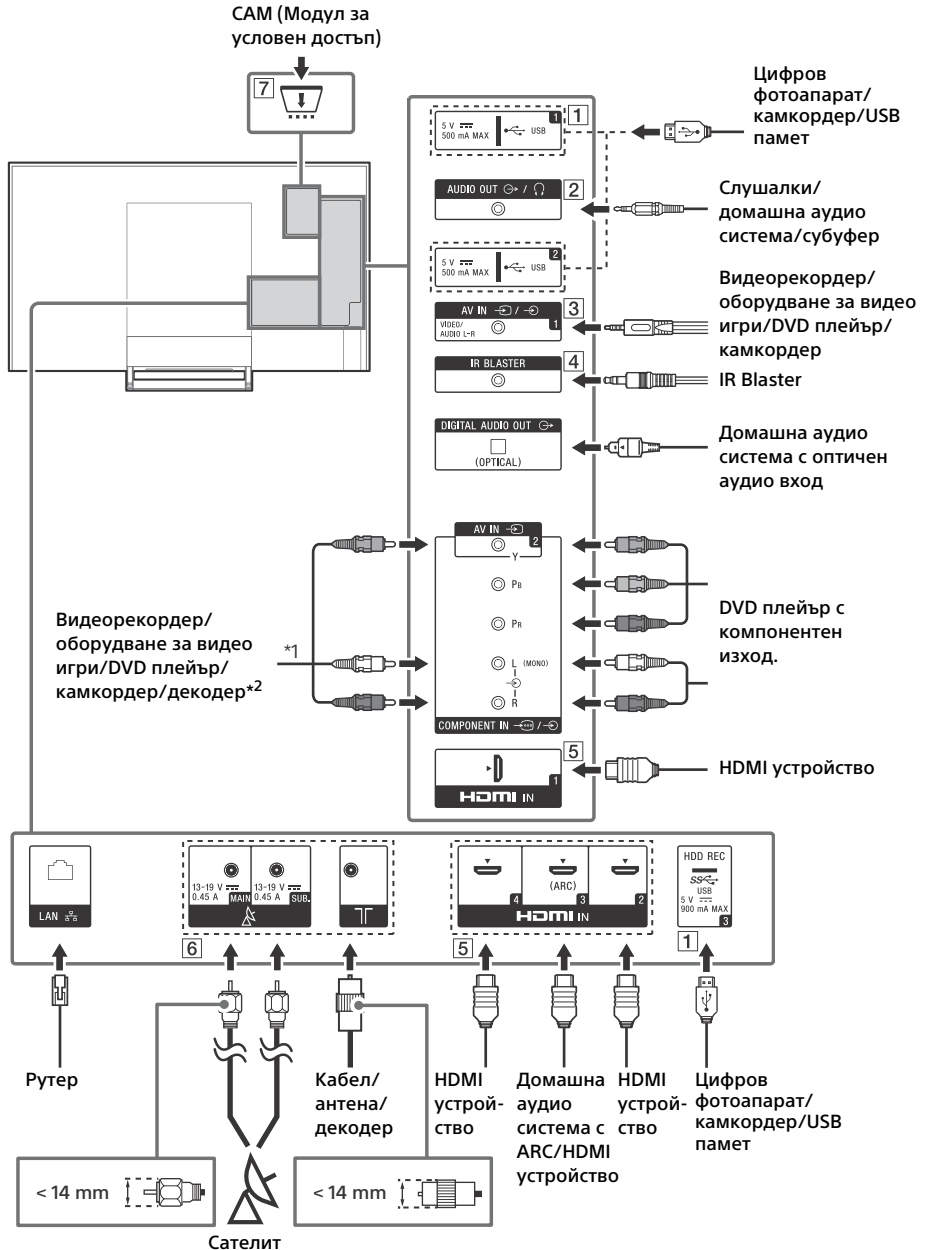
Записва текущата програма с помощта на функцията за запис USB HDD.



TITLE LIST


Показва списъка със записани заглавия.

Диаграма на свързване

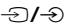
За повече информация за връзките, вижте Помощното ръководство чрез натискане на **HELP** на дистанционното.



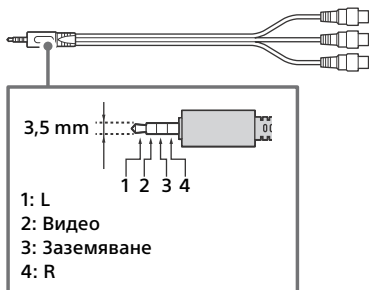
- 1  **USB 1/2, SS  USB 3 (HDD REC)*³**
- Свързването на голямо USB устройство може да повлияе на работата на други свързани устройства в близост до него.
 - Когато свързвате голямо USB устройство, свързвайте го към куплунга USB 1.

2 **AUDIO OUT** 

- Поддържа само стерео мини-жак с три полюса.
- За да чувате звука от телевизора през свързаното оборудване, натиснете **HOME**. Изберете [Настройки] → [Звук] → [Слушалки/аудио изход], след което изберете желанния елемент.

3  **AV IN 1**

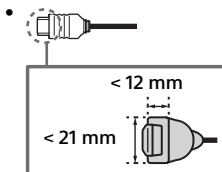
- За композитна връзка, използвайте аналогов удължаващ кабел (не се доставя).



4 **IR BLASTER*³**


5 **HDMI IN 1/2/3/4**

- Ако свързвате цифрова аудио система, съвместима с технологията Audio Return Channel (ARC), използвайте HDMI IN 3. В противен случай е необходима допълнителна връзка с DIGITAL AUDIO OUT (OPTICAL).



6  **(Сателитен вход), ТГ (RF вход)**

- Свързване за наземна/кабелна и сателитна телевизия. Стъпки на свързване: SUB. → антена → MAIN
- За SUB. жак, свързвайте само когато използвате режим двоен тунер, с изключение на еднокабелно разпределение EN50494.

7  **CAM (Модул за условен достъп)**

- Предоставя достъп до платени ТВ услуги. За подробности вижте ръководството с инструкции, доставено с вашата CAM.
- Не поставяйте смарт картата директно в CAM слота на телевизора. Тя трябва да се постави в модула за условен достъп, предоставен от вашия оператор.
- CAM не се поддържа в някои държави/зони. Проверете при вашия оператор.
- Когато превключите към цифрова програма след като гледате интернет видео, може да се появи CAM съобщение.

*1 Когато свързвате моно оборудване, свържете към L (MONO) аудио жак.

*2 За външно устройство, което има само SCART AV OUT, използвайте SCART-RCA адаптер.

*3 Само за определени региони/страни/модели телевизори.

Монтаж на телевизора на стена

Използване на опционалната конзола за закрепване към стена

В това справочно ръководство е показана само подготовката за монтаж преди телевизорът да бъде монтиран на стената.

До потребителите:

От съображения за безопасност и за защита на продукта, Sony препоръчва монтажът на вашия телевизор да бъде извършен от дистрибутор на Sony или от лицензиран подизпълнител. Не се опитвайте да го монтирате сами.

До дистрибуторите на Sony и подизпълнителите:

Подходете с подчертано внимание към безопасността по време на монтажа, периодичната поддръжка и проверката на този продукт.

Този продукт трябва да се монтира само от професионален монтажник, който е обучен да определя якостта на стената, за да издържи тежестта на телевизора. Ако не е добре закрепен при монтажа, телевизорът може да падне и да причини тежко нараняване. Sony не носи отговорност за повреди или нараняване, причинени от неправилно боравене или неправилен монтаж, или от монтирането на продукт, различен от посочения. Вашите законни права (ако има такива) не се нарушават.

Използвайте конзолата за закрепване към стена SU-WL845 (не се доставя) (само за KD-75XE94xx, KD-65XE93xx), SU-WL840 (не се доставя) (само за KD-55XE93xx) или SU-WL450 (не се доставя) (само за KD-65/55XE93xx), за да монтирате телевизора на стената. Когато монтирате конзолата за закрепване към стена, прочетете също инструкциите за работа и указанията за монтаж на конзолата за закрепване към стена.

Забележка

- Не пропускайте да запазите свалените винтове на сигурно място, като ги пазите от деца.
- Уверете се, че на стената има достатъчно пространство за телевизора и че може да издържа тежест, равна на най-малко шест пъти тази на телевизора.

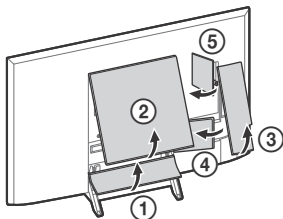


За инструкции относно монтажа на конзолата за закрепване на стена за вашия модел телевизор вижте следната уеб страница:

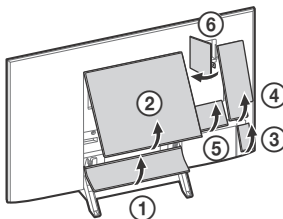
www.sony.eu/tv/wall-mount-bracket-manual

Отстранете капака на стойката и капаците на терминалите.

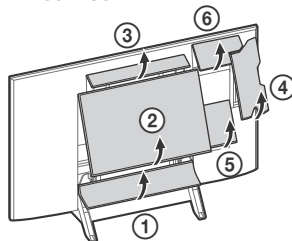
KD-75XE94xx



KD-65XE93xx



KD-55XE93xx

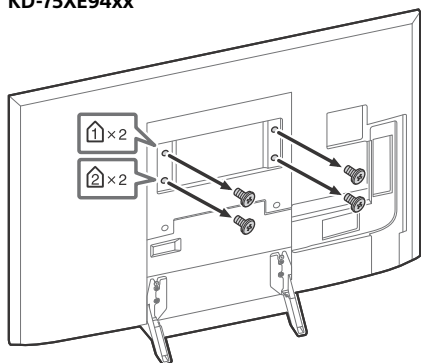


BG

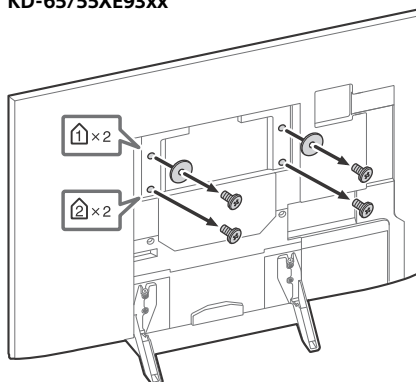
SU-WL845 (KD-75XE94xx, KD-65XE93xx), SU-WL840 (KD-55XE93xx)

Свалете винтовете от задната страна на телевизора.

KD-75XE94xx

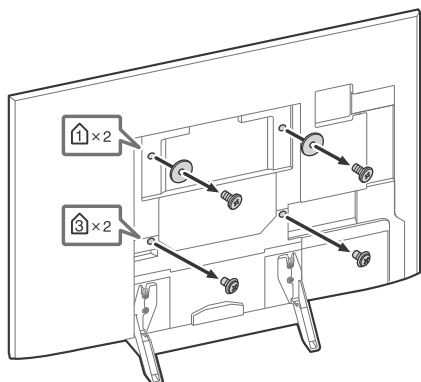


KD-65/55XE93xx

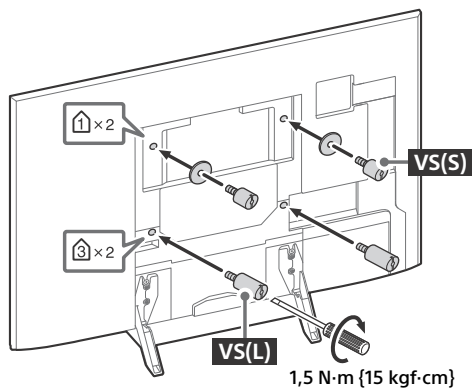


SU-WL450 (Само за KD-65/55XE93xx)

1 Свалете винтовете от задната страна на телевизора.



- 2** Закрепете приставките за закрепване към стена (доставени с телевизора) от задната страна на телевизора (за да стане успореден на стената).



Забележка

- Ако използвате електрическа отвертка, настройте въртящия момент на около 1,5 N·m {15 kgf·cm}.
- На всяка цена затегнете приставките за закрепване към стена, когато ги закрепвате към телевизора. Използвайте само плоска отвертка, когато монтирате приставките за закрепване към стена. Използването на друг инструмент може да доведе до прекалено затягане на приставките за закрепване към стена и повреда на телевизора.

Само за KD-75XE94xx, KD-55XE93xx

Вашият телевизор може да бъде монтиран на конзола за закрепване към стена (не се доставя) директно след разопаковане.

Подгответе телевизора за конзолата за закрепване към стена, преди да свържете кабелите.

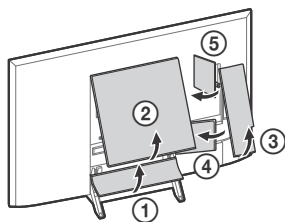
Този продукт трябва да се монтира само от професионален монтажник, който е обучен да определя якостта на стената, за да издържи тежестта на телевизора. Ако не е добре закрепен при монтажа, телевизорът може да падне и да причини тежко нараняване. Sony не носи отговорност за повреди или нараняване, причинени от неправилно боравене или неправилен монтаж, или от монтирането на продукт, различен от посочения. Вашите законни права (ако има такива) не се нарушават.

От съображения за безопасност и за защита на продукта, Sony препоръчва монтажът на вашия телевизор да бъде извършен от квалифицирани професионалисти. Не се опитвайте да го монтирате сами.

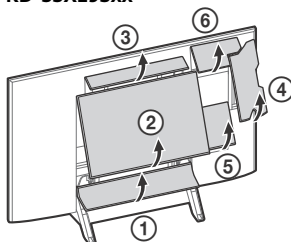
- Следвайте инструкциите, предоставени с конзолата за закрепване към стена за вашия модел.
- Запазете оригиналните винтове и поставката за маса на сигурно място, в случай, че желаете отново да закачите поставката за маса. Дръжте винтовете настрана от малки деца.
- Уверете се, че на стената има достатъчно пространство за телевизора и че може да издържа тежест, равна на най-малко шест пъти тази на телевизора.

1 Отстранете капака на стойката и капаците на терминалите.

KD-75XE94xx

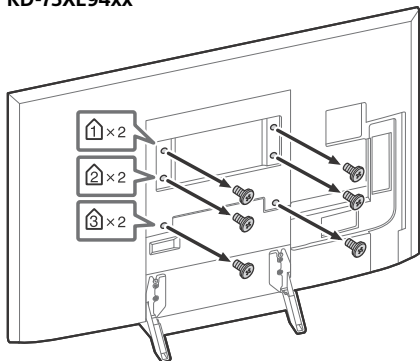


KD-55XE93xx

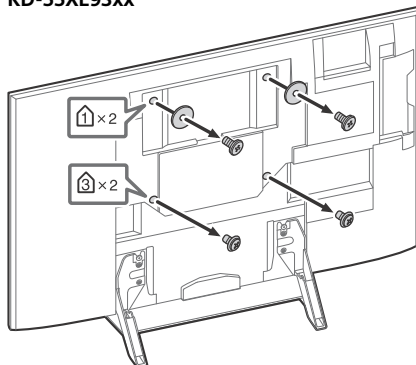


2 Сваляте винтовете от задната страна на телевизора.

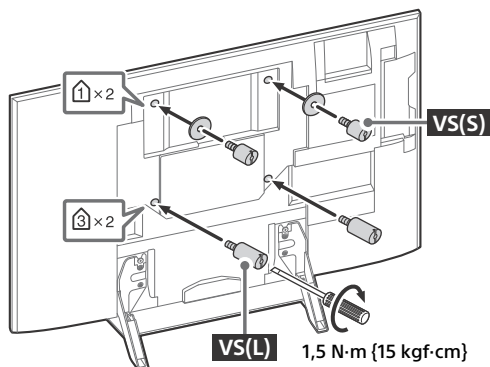
KD-75XE94xx



KD-55XE93xx

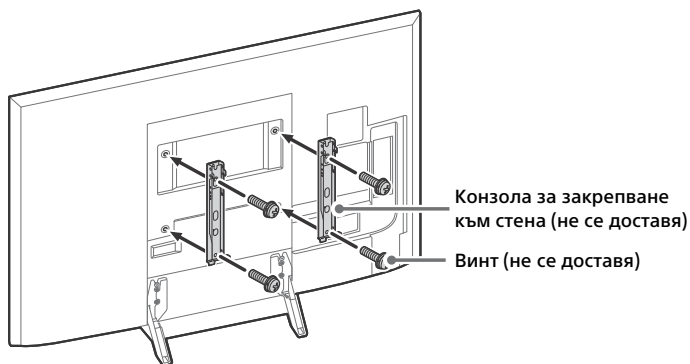


- 3** Закрепете приставките за закрепване към стена (доставени с телевизора) от задната страна на телевизора (за да стане успореден на стената). (Само за KD-55XE93xx)

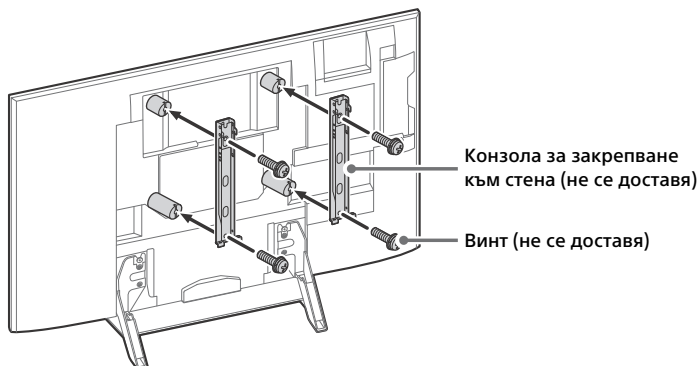


- 4** Закачете конзолата за закрепване към стена (не се доставя) с помощта на винтовете (не се доставят).

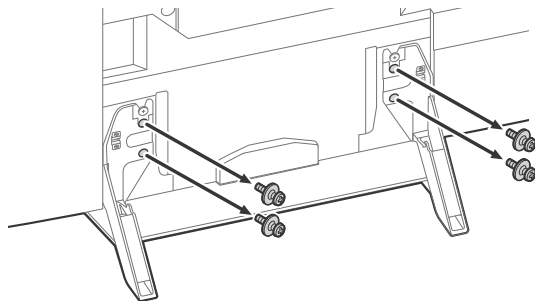
KD-75XE94xx



KD-55XE93xx



5 Свадете поставката за маса от телевизора.



Забележка

- Ако използвате електрическа отвертка, настройте въртящия момент на около 1,5 N·m {15 kgf·cm}.
- На всяка цена затегнете приставките за закрепване към стена, когато ги закрепвате към телевизора. Използването на друг инструмент може да доведе до прекалено затягане на приставките за закрепване към стена и повреда на телевизора.
- Не можете да използвате някои от кабелните държачи от задната страна на телевизора, когато използвате конзола за закрепване към стена (не се доставя).

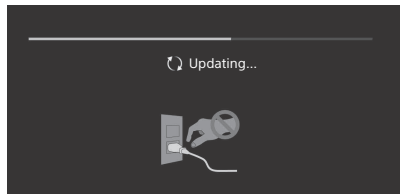
Отстраняване на неизправности

За отстраняване на общи неизправности като: черен екран, липса на звук, замръзнала картина, блокиране на телевизор или загуба на мрежа, изпълнете следните стъпки.

- 1 Рестартирайте вашия телевизор чрез натискане на бутона за захранване на дистанционното управление, докато се появи съобщение. Телевизорът ще се рестартира. Ако телевизорът не се възстанови, пробвайте да изключите телевизора от захранващия кабел в продължение на две минути и след това го включете отново.
- 2 Вижте Помощното ръководство чрез натискане на **HELP** на дистанционното.
- 3 Свържете своя телевизор с интернет и направете актуализация на софтуера.
- 4 Посетете сайта за поддръжка на Sony (информацията е предоставена на задната корица).

Когато се появи съобщение [Налична е нова версия на софтуера на ТВ...].

Sony силно препоръчва да актуализирате софтуера на телевизора, като изберете [Обнови сега]. Тези софтуерни актуализации подобряват производителността на телевизора или добавят нови функции. Докато трае обновяването на софтуера, светодиодът ще мига в бяло и ще се появи следният екран с [Updating...] (Обновяване...).



Не изключвайте захранващия кабел по време на актуализацията на софтуера. Ако го направите, е възможно актуализацията да не завърши напълно, което да доведе до неправилно функциониране на софтуера. Актуализацията на софтуера може да продължи до 15 минути.

Когато включите захранващия кабел на телевизора, той може да не се включи веднага, дори ако натиснете бутона за включване на дистанционното управление или телевизора.

Инициализирането на системата отнема време. Изчакайте за около една минута и опитайте отново.

Проблеми и решения

Когато светодиодът мига в червено.

- Пребройте колко пъти мига (интервалът от време е три секунди). Рестартирайте телевизора, като го изключите от контакта за две минути, след което го включете отново. Ако проблемът продължи, изключете захранващия кабел и се свържете с вашия доставчик или сервизен център на Sony като посочите колко пъти мига светодиода.

Не се приема ефирна/кабелна услуга.

- Проверете връзката с (ефирната) антена/кабела и настройките на усилвателя.
- Изберете ефирна/кабелна услуга чрез натискане на **DIGITAL/ANALOG** на дистанционното. Ако услугата за радиопредаване не се показва, натиснете **TV** и след това натиснете **DIGITAL/ANALOG**.
- Наземният сигнал може да бъде потиснат, ако има силен сигнал, който се излъчва в близост. Настройте [LNA (Канал ---)] на [Изкл.] в цифровите настройки.
- След преместване в нова къща или когато търсите нови услуги, опитайте търсене на услуга като изберете [Цифрови настройки].

Не се приемат сателитни услуги.

- Проверете сателитната кабелна връзка.
- Когато се появи съобщение [Няма сигнал. Отчетено е претоварване на LNB...], извадете захранващия кабел. След това се уверете, че сателитният кабел не е повреден, а линията на сателитния сигнал не е дала на късо в сателитния конектор.

Дистанционното управление не работи.

- Сменете батериите.

Забравена парола за родителско заключване на излъчване.

- Въведете 9999 за ПИН кода и изберете [Смяна на ПИН кода].

Рамката на телевизора се затопля.

- Когато телевизорът се използва продължително време, рамката му се затопля. Може да усетите топлина, когато я докоснете с ръка.

Спецификации

Система

Система на панела

LCD (течнокристален дисплей) панел,
LED подсветка

Телевизионна система

В зависимост от вашата държава/избор на зона/модел на телевизора

Аналогова: B/G, D/K, I

Цифрова: DVB-T/DVB-C
DVB-T2*

Сателит*: DVB-S/DVB-S2

Цветова система

PAL, SECAM, NTSC3.58 (само видео), NTSC4.43
(само видео)

Покритие на каналите

В зависимост от вашата държава/избор на зона/модел на телевизора

Аналогова: UHF/VHF/кабел

Цифрова: UHF/VHF/кабел

Сателит*: IF честота 950-2 150 MHz

Звуков изход

KD-75XE94xx, KD-65XE93xx: 10 W + 10 W + 10 W +
10 W + 10 W + 10 W

KD-55XE93xx: 5 W + 5 W + 10 W + 10 W + 10 W +
10 W

Безжична технология

IEEE802.11ac/a/b/g/n протокол
(IEEE802.11ac може да не е налично в
зависимост от страната/региона.)

Bluetooth версия 4.1

Честотна(и) лента(и): WLAN 2,4 GHz / 5 GHz,
Bluetooth 2,4 GHz

Мощност на предаваните радиочестоти:
100 MW МАКС

Версия на софтуера на телевизиора:

PKG_..._...EUA

Натиснете **HELP** на дистанционното
управление, за да видите версията на
софтуера.

* Не всички телевизори имат DVB-T2 или DVB-S/S2
технология или конектор за сателитна антена.

Входно/изходни жакове

Антенен/кабел

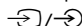
75 ома външен терминал за VHF/UHF

Сателитна антена

Конектор тип F, женски, 75 ома.

DiSEqC 1.0, LNB 13 V/18 V & 22 kHz тон,

Разпределяне по 1 кабел EN50494.

 AV IN 1

Видео/аудио вход (мини жак)

COMPONENT IN

YPbPr (Компонентно видео): 1080p (50, 60 Hz), 1080i (50, 60 Hz), 720p (50, 60 Hz), 576p, 576i, 480p, 480i

Аудио вход (фоно жакове)

AV IN 2

Видео вход (общ фоно пин с Y входа)

HDMI IN 1, 2, 3, 4 (поддържа 4K резолюция, Съвместим с HDCP 2.2)

Видео:

4096 × 2160p (50, 60 Hz)^{*1*2}, 4096 × 2160p (24 Hz)^{*1}, 3840 × 2160p (50, 60 Hz)^{*2}, 3840 × 2160p (24, 25, 30 Hz), 1080p (30, 50, 60 Hz), 1080i/24p, 1080i (50, 60 Hz), 720p (30, 50, 60 Hz), 720i/24p, 576p, 576i, 480p, 480i, PC формати

*1 Показва се 3840 × 2160p, когато въведено 4096 × 2160p.



*2 Само HDMI IN 2 / 3.

Аудио: 5,1 канален линейен PCM: 32, 44,1, 48, 88,2, 96, 176,4 и 192 kHz, 16, 20 и 24 бита, Dolby Digital, Dolby Digital Plus и DTS

ARC (Audio Return Channel) (само HDMI IN 3)
(Двуканален линейен PCM: 48 kHz, 16 бита, Dolby Digital, Dolby Digital Plus, DTS)


DIGITAL AUDIO OUT (OPTICAL)

Цифров оптичен жак (Двуканален линейен PCM: 48 kHz, 16 бита, Dolby Digital, DTS)

AUDIO OUT  /  (Стерео мини жак)

слушалки, аудио изход, суббуфер

1, 2, 3 (HDD REC)^{*1}

порт за USB устройство ( 3 USB HDD устройство за функция REC)

USB порт 1 и 2 поддържат High Speed USB (USB2.0).

USB порт 3 поддържа Super Speed USB (USB3.0).

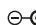
1

CAM (модул за условен достъп) гнездо

LAN

10BASE-T/100BASE-TX конектор (в зависимост от условията на работа на мрежата, скоростта на пренос на данните може да се различава.

10BASE-T/100BASE-TX за този телевизор не гарантира скорост и качество на комуникацията.)

 DC IN 24 V (само модели с доставен захранващ адаптор)

Вход захранващ адаптор

IR BLASTER^{*1}

Вход за IR Blaster кабел (мини жак)

Други

Акесоари по избор

Конзола за закрепване към стена: SU-WL845
(Само за KD-75XE94xx, KD-65XE93xx)

Конзола за закрепване към стена: SU-WL840
(Само за KD-55XE93xx)

Конзола за закрепване към стена: SU-WL450
(Само за KD-65/55XE93xx)

Работна температура

0 °C – 40 °C

Работна влажност

Относителна влажност 10 % – 80 % (без образуване на конденз)

Захранване, фиш на продукта и други

Изисквания за захранването

освен модел, който се доставя със захранващ

адаптор 220 V – 240 V AC, 50 Hz

само модели с доставен захранващ адаптор

24 V DC със захранващ адаптор

Номинално входно напрежение:

220 V – 240 V AC, 50 Hz

Енергиен клас

KD-75XE94xx: B

KD-65XE93xx: A

KD-55XE93xx: B

Размер на екрана (измерен по диагонала)
(прибл.)

KD-75XE94xx: 189,3 cm / 75 инча

KD-65XE93xx: 163,9 cm / 65 инча

KD-55XE93xx: 138,8 cm / 55 инча

Консумация на енергия

в [Стандартен] режим

KD-75XE94xx: 298 W

KD-65XE93xx: 164 W

KD-55XE93xx: 137 W

в [Ярък] режим

KD-75XE9405: 495 W

KD-65XE9305: 294 W

KD-55XE9305: 227 W

Средно годишно потребление на енергия^{*2}

KD-75XE94xx: 413 kWh

KD-65XE93xx: 227 kWh

KD-55XE93xx: 190 kWh

Консумация на енергия в режим

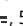
Готовност^{*3*4}

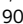
0,50 W (27 W в режим на актуализация на софтуер/EPG)

Резолюция на дисплея

3 840 точки (по хоризонтала) × 2 160 реда (по вертикала)

Изходни номинални данни

USB 1/2: 5 V, , 500 mA (макс.)

USB 3: 5 V, , 900 mA (макс.)

Габарити (прибл.) (ш × в × д)

с поставка за маса

KD-75XE94xx: 167,3 × 103,7 × 32,5 cm

KD-65XE93xx: 145,1 × 91,3 × 29,5 cm

KD-55XE93xx: 123,2 × 79,0 × 28,2 cm

без поставка за маса

KD-75XE94xx: 167,3 × 96,2 × 6,2 cm

KD-65XE93xx: 145,1 × 83,8 × 3,9 cm

KD-55XE93xx: 123,2 × 71,5 × 4,0 cm

Тегло (прибл.)

с поставка за маса

KD-75XE94xx: 47,6 kg

KD-65XE93xx: 42,4 kg

KD-55XE93xx: 32,6 kg

без поставка за маса

KD-75XE94xx: 42,8 kg

KD-65XE93xx: 38,2 kg

KD-55XE93xx: 28,6 kg

*1 Само за определени региони/страни/моделни телевизори.

*2 Консумация на енергия на година, базирано на консумацията на телевизор, който работи 4 часа на ден, 365 дни. Действителната консумация на енергия зависи от това как се използва телевизора.

*3 Указаната консумация на енергия в режим Готовност се достига след като телевизорът приключи необходимите вътрешни процеси.

*4 Консумацията на енергия в режим готовност ще се увеличи, когато вашият телевизор е свързан към мрежа.

Забележка

- Не изваждайте капака на слота на TV CAM (Conditional Access Module) освен за да пхнете смарт карта в CAM.
- Наличието на опционални аксесоари зависи от държавата/региона/модела на телевизора и наличността.
- Дизайнът и спецификациите подлежат на промяна без предупреждение.


Забележка за цифровата функция на телевизора

- Цифрова телевизия (DVB наземно, сателитно и кабелно), интерактивни услуги и мрежови функции може да не са достъпни във всички страни или райони. Някои функции може да не са активирани или може да не работят правилно с някои доставчици и мрежови среди. Някои доставчици на телевизионни услуги може да начисляват такса за услугите си.

- Този телевизор поддържа цифрово предаване, използвайки MPEG-2, H.264 / MPEG-4 AVC и H.265 / HEVC кодеци, но не може да бъде гарантирана съвместимостта с всички сигнали на оператори/услуги, които може да се променят с течение на времето.

Информация за търговски марки

- Термините HDMI и HDMI High-Definition Multimedia Interface, както и логото HDMI са търговски марки или запазени търговски марки на HDMI Licensing LLC в САЩ и други държави.
- Произведено по лиценз на Dolby Laboratories. Dolby, Dolby Audio и символът двойно "D" са регистрирани търговски марки на Dolby Laboratories.
- "BRAVIA" и BRAVIA са търговски марки на Sony Corporation.
- Gracenote, Gracenote eyeQ, Gracenote VideoID, Gracenote Video Explore, логото и логотипът Gracenote, както и логото "Powered by Gracenote" са регистрирани търговски марки или търговски марки на Gracenote в САЩ и/или други държави.
- Opera® Devices SDK. Copyright 1995-2016 Opera TV AS. All rights reserved.
- Wi-Fi, Wi-Fi Direct, Miracast, Wi-Fi Protected Setup и логото Wi-Fi CERTIFIED са търговски марки или регистрирани търговски марки на Wi-Fi Alliance.
- За DTS патенти, вижте <http://patents.dts.com>. Произведено по лиценз на DTS, Inc. DTS, символът, & DTS и символът заедно са регистрирани търговски марки, а DTS Digital Surround е търговска марка на DTS, Inc. © DTS, Inc. Всички права запазени.
- Знакът Bluetooth® и фирмените знаци са регистрирани търговски марки собственост на Bluetooth SIG, Inc. и използването на тези знаци от Sony Corporation е по лиценз.
- DiSEqC™ е търговска марка на EUTELSAT. Този телевизор поддържа DiSEqC 1.0. Този телевизор не е предназначен за управление на антени с мотор.

- TUXERA е регистрирана търговска марка на Tuxera Inc. в САЩ и други страни.
- Логото USB-IF SuperSpeed USB Trident е регистрирана търговска марка на USB Implementers Forum, Inc. 

Περιεχόμενα

ΣΗΜΑΝΤΙΚΗ ΣΗΜΕΙΩΣΗ	4
Πληροφορίες σχετικά με την ασφάλεια	4
Προφυλάξεις	8
Εξαρτήματα και χειριστήρια	10
Χειριστήρια και ενδείξεις	10
Χρήση του Τηλεχειριστηρίου	11
Περιγραφή μερών του τηλεχειριστηρίου	11
Διάγραμμα συνδέσεων	13
Εγκατάσταση της τηλεόρασης στον τοίχο	15
Χρήση της προαιρετικής Επιτοίχιας Βάσης	15
SU-WL845 (KD-75XE94xx, KD-65XE93xx), SU-WL840 (KD-55XE93xx)	16
SU-WL450 (μόνο για KD-65/55XE93xx) ...	16
μόνο για KD-75XE94xx, KD-55XE93xx.	18
Αντιμετώπιση προβλημάτων	21
Προβλήματα και λύσεις	21
Τεχνικά χαρακτηριστικά	22

Σύνδεση Internet και προστασία προσωπικών δεδομένων

Αυτό το προϊόν συνδέεται στο Internet κατά την αρχική εγκατάσταση μόλις συνδεθεί σε ένα δίκτυο ώστε να επιβεβαιωθεί η σύνδεση στο Internet και, στη συνέχεια, για να διαμορφωθεί η Αρχική οθόνη. Η διεύθυνσή σας IP χρησιμοποιείται για αυτή και για όλες τις άλλες συνδέσεις Internet. Αν δεν επιθυμείτε να χρησιμοποιηθεί καθόλου η διεύθυνσή σας IP, μη ρυθμίσετε την ασύρματη λειτουργία Internet και μη συνδέσετε καλώδιο Internet. Ανατρέξτε στις πληροφορίες προστασίας προσωπικών δεδομένων που εμφανίζονται στις οθόνες ρυθμίσεων για περισσότερες πληροφορίες για τις συνδέσεις Internet.

Εισαγωγή

Σας ευχαριστούμε που επιλέξατε αυτό το προϊόν της Sony. Προτού χρησιμοποιήσετε την τηλεόραση, διαβάστε προσεκτικά αυτό το εγχειρίδιο οδηγιών και φυλάξτε το για μελλοντική χρήση.

Σημείωση

- Προτού θέσετε σε λειτουργία την τηλεόραση, διαβάστε την ενότητα "Πληροφορίες σχετικά με την ασφάλεια" (σελίδα 4).
- Οι εικόνες και τα γραφικά που χρησιμοποιούνται στον Οδηγό εγκατάστασης και σε αυτό το εγχειρίδιο παρέχονται μόνο για λόγους αναφοράς και ενδέχεται να διαφέρουν από το πραγματικό προϊόν.
- Το σύμβολο "xx" που εμφανίζεται στο όνομα του μοντέλου αντιστοιχεί σε ένα αριθμητικό ψηφίο, που σχετίζεται με το σχέδιο, το χρώμα ή το σύστημα τηλεόρασης.

Θέση του Οδηγού εγκατάστασης

Ο Οδηγός εγκατάστασης βρίσκεται στο πάνω μέρος του προστατευτικού υλικού εντός του χαρτόκουτου της τηλεόρασης.

Βοήθεια/Οδηγός βοήθειας

Το χαρακτηριστικό Βοήθειας προσφέρει πολλές πληροφορίες σχετικά με την τηλεόρασή σας. Για να χρησιμοποιήσετε το χαρακτηριστικό Βοήθειας, πατήστε **HELP** στο τηλεχειριστήριο. Μπορείτε να βρείτε οδηγίες και αντιμετωπίσεις προβλημάτων από τη λίστα ή με αναζήτηση λέξεων κλειδιών. Επιλέξτε [Οδηγός βοήθειας] στο Μενού Βοήθειας για να δείτε το εγχειρίδιο. Αν συνδέσετε την τηλεόρασή σας στο internet, το χαρακτηριστικό Βοήθειας και οι πληροφορίες θα ενημερωθούν.

Θέση της αναγνωριστικής ετικέτας

Οι ετικέτες με τον Αριθμό μοντέλου, την Ημερομηνία παραγωγής (έτος/μήνας) και την Ονομαστική τιμή ισχύος βρίσκονται στο πίσω μέρος της τηλεόρασης ή του πακέτου. Μπορούν να εντοπιστούν αφαιρώντας το κάλυμμα βάσης και το κεντρικό κάλυμμα.

Για μοντέλα με προσαρμογέα ρεύματος που παρέχεται: Οι ετικέτες για τον Αριθμό μοντέλου και τον Αριθμού σειράς του προσαρμογέα ρεύματος βρίσκονται στο κάτω μέρος του προσαρμογέα ρεύματος.

ΠΡΟΕΙΔΟΠΟΪΣΗ ΓΙΑ ΤΗΝ ΑΠΟΤΡΟΠΗ ΕΞΑΠΛΩΣΗΣ



**ΠΥΡΚΑΓΙΑΣ, ΔΙΑΤΗΡΕΙΤΕ
ΠΑΝΤΑ ΤΑ ΚΕΡΙΑ Η ΑΛΛΕΣ
ΕΛΕΥΘΕΡΕΣ ΦΛΟΓΕΣ ΜΑΚΡΙΑ
ΑΠΟ ΑΥΤΟ ΤΟ ΠΡΟΪΟΝ.**

Ευρωπαϊκή Εγγύηση Sony

Αγαπητέ πελάτη

Σας ευχαριστούμε που αγοράσατε αυτό το προϊόν της Sony. Ελπίζουμε να μείνετε ικανοποιημένοι από τη χρήση του. Στην περίπτωση που το προϊόν σας χρειαστεί σέρβις (επισκευή) κατά τη διάρκεια της εγγύησης, παρακαλείστε να επικοινωνήσετε με το κατάστημα αγοράς ή με ένα μέλος του δικτύου μας εξουσιοδοτημένων Service (ASN) της Ευρωπαϊκής Οικονομικής Ζώνης (EOZ) ή και άλλων χωρών που αναφέρονται σ' αυτή την εγγύηση ή στα συνοδευόμενα φυλλάδια (Περιοχή Κάλυψης της Εγγύησης). Μπορείτε να βρείτε λεπτομέρειες για τα μέλη του δικτύου μας ASN, για παράδειγμα σε τηλεφωνικούς καταλόγους, στους καταλόγους των προϊόντων μας και στις ιστοσελίδες μας. Για να αποφύγετε κάθε περιττή ταλαιπωρία, σας συνιστούμε να διαβάσετε προσεκτικά το εγχειρίδιο χρήσης προτού ψάξετε για επισκευή κατά τη διάρκεια της εγγύησης.

Η Εγγύησή Σας

Η παρούσα εγγύηση ισχύει για το προϊόν της Sony που αγοράσατε, εφ' όσον κάτι τέτοιο αναφέρεται στα φυλλάδια που συνοδεύουν το προϊόν σας, υπό την προϋπόθεση ότι αγοράστηκαν εντός της Περιοχής Κάλυψης της Εγγύησης. Με την παρούσα, η Sony εγγυάται ότι το προϊόν είναι απαλλαγμένο από κάθε ελάττωμα σχετιζόμενο με τα υλικά ή την κατασκευή, για μια περίοδο ΔΥΟ ΕΤΩΝ από την ημερομηνία της αρχικής αγοράς. Η αρμόδια για να προσφέρει και εκπληρώσει την παρούσα εγγύηση εταιρεία Sony, είναι αυτή που αναφέρεται σ' αυτήν την Εγγύηση ή στο συνοδευτικό αυτήν φυλλάδιο στη χώρα όπου επιδιώκεται η επίσκεψη κατά τη διάρκεια της εγγύησης.

Εάν, εντός της περιόδου εγγύησης, αποδειχθεί ελαττωματικό το προϊόν (κατά την ημερομηνία της αρχικής αγοράς) λόγω ακατάλληλων υλικών ή κατασκευής, η Sony ή ένα μέλος του δικτύου Εξουσιοδοτημένων Service ASN της Περιοχής Κάλυψης της Εγγύησης θα επισκευάσει ή θα αντικαταστήσει (κατ' επιλογήν της Sony) χωρίς επιβάρυνση για εραγmaticά ή ανταλλακτικά, το προϊόν ή τα ελαττωματικά εξαρτήματά του, εντός εύλογου χρόνου, βάσει των όρων και συνθηκών που εκτίθενται παρακάτω. Η Sony και τα μέλη του δικτύου Εξουσιοδοτημένων Service ASN μπορούν να αντικαταστήσουν ελαττωματικά προϊόντα ή εξαρτήματά με νέα ή ανακυκλωμένα προϊόντα ή εξαρτήματα. Όλα τα προϊόντα και εξαρτήματα που έχουν αντικατασταθεί γίνονται ιδιοκτησία της Sony.

Όροι

1. Επισκευές δυνάμει της παρούσας εγγύησης θα παρέχονται μόνο εάν προσκομισθεί το πρωτότυπο τιμολόγιο ή η απόδειξη πώλησης (με την ένδειξη της ημερομηνίας αγοράς, του μοντέλου του προϊόντος και του ονόματος του εμπόρου) μαζί με το ελαττωματικό προϊόν εντός της περιόδου εγγύησης. Η Sony και τα μέλη του δικτύου Εξουσιοδοτημένων σέρβις (ASN) μπορούν να αρνηθούν τη δωρεάν επίσκεψη κατά την περίοδο εγγύησης εάν δεν προσκομισθούν τα προαναφερόμενα έγγραφα ή εάν δεν προκύπτουν από αυτά η ημερομηνία αγοράς, το προϊόν ή το μοντέλο του προϊόντος ή το όνομα του εμπόρου. Η παρούσα εγγύηση δεν ισχύει εάν ο τύπος του μοντέλου ή ο σειριακός αριθμός του προϊόντος έχει αλλοιωθεί, διαγραφεί, αφαιρεθεί ή καταστεί δυσανάγνωστος.

2. Για να αποφευχθεί βλάβη ή απώλεια/διαγραφή σε αφαιρούμενα ή αποσπώμενα μέσα ή εξαρτήματα αποθήκευσης δεδομένων, οφείλετε να τα αφαιρέσετε πριν παραδώσετε το προϊόν σας για επίσκεψη κατά την περίοδο εγγύησης.

3. Η παρούσα εγγύηση δεν καλύπτει τα έξοδα και τους κινδύνους μεταφοράς που συνοδεύονται ή με μεταφορά του προϊόντος σας προς και από τη Sony ή μέλος του δικτύου ASN.

4. Η παρούσα εγγύηση δεν καλύπτει τα εξής:

- Περιοδική συντήρηση και επίσκεψη ή αντικατάσταση εξαρτημάτων ως αποτέλεσμα φυσιολογικής φθοράς.
- Αναλώσιμα (συστατικά μέρη για τα οποία προβλέπεται περιοδική αντικατάσταση κατά τη διάρκεια ζωής ενός προϊόντος όπως μη επαναφορτιζόμενες μπαταρίες, φυσιγγία εκτύπωσης, γραφίδες, λάμπες, κλπ.).
- Ζημιά ή ελαττώματα που προκλήθηκαν λόγω χρήσης, λειτουργίας ή χειρισμού ασύμβατων με την κανονική ατομική ή οικιακή χρήση.
- Ζημιές ή αλλαγές στο προϊόν που προκλήθηκαν από
 - Κακή χρήση, συμπεριλαμβανομένου:
 - του χειρισμού που επιφέρει φυσική, αισθητική ή επιφανειακή ζημιά ή αλλαγές στο προϊόν ή βλάβη σε οθόνες υγρών κρυστάλλων
 - μη κανονική ή μη σύμφωνη με τις οδηγίες της Sony εγκατάσταση ή χρήση του προϊόντος
 - μη συντήρηση του προϊόντος σύμφωνα με τις οδηγίες σωστής συντήρησης της Sony
 - εγκατάσταση ή χρήση του προϊόντος με τρόπο μη σύμφωνο με τις τεχνικές προδιαγραφές και τα πρότυπα ασφαλείας που ισχύουν στη χώρα όπου έχει εγκατασταθεί και χρησιμοποιείται το προϊόν.

- Μολύνσεις από ιούς ή χρήση του προϊόντος με λογισμικό που δεν παρέχεται με το προϊόν ή λανθασμένη εγκατάσταση του λογισμικού.
 - Την κατάσταση ή τα ελαττώματα των συστημάτων με τα οποία χρησιμοποιείται ή στα οποία ενσωματώνεται το προϊόν εκτός από άλλα προϊόντα της Sony ειδικά σχεδιασμένα για να χρησιμοποιούνται με το εν λόγω προϊόν.
 - Χρήση του προϊόντος με εξαρτήματα, περιφερειακά εξοπλισμό και άλλα προϊόντα των οποίων ο τύπος, η κατάσταση και το πρότυπο δεν συνιστώνται από τη Sony.
 - Επίσκεψη ή επιχειρησιακή επίσκεψη από άτομα που δεν είναι μέλη της Sony ή του δικτύου ASN.
 - Ρυθμίσεις ή προσαρμογές χωρίς την προηγούμενη γραπτή συγκατάθεση της Sony, στις οποίες συμπεριλαμβάνονται:
 - η αναβάθμιση του προϊόντος πέρα από τις προδιαγραφές ή τα χαρακτηριστικά που περιγράφονται στο χειρίδιο χρήσης ή
 - τροποποιήσεις του προϊόντος με σκοπό να συμμορφωθεί προς εθνικές ή τοπικές τεχνικές προδιαγραφές και πρότυπα ασφαλείας που ισχύουν σε χώρες για τις οποίες το προϊόν δεν είχε σχεδιαστεί και κατασκευαστεί ειδικά.
 - Αμέλεια.
 - Ατυχήματα, πυρκαγιά, υγρά, χημικές ή άλλες ουσίες, πλημύρα, δονήσεις, υπερβολική θερμότητα, ακατάλληλο εξερισμό, υπέρταση, υπερβολική ή εσφαλμένη τροφοδοσία ή τάση εισόδου, ακτινοβολία, ηλεκτροστατικές εκκενώσεις συμπεριλαμβανομένου του κεραυνού, άλλων εξωτερικών δυνάμεων και επιδράσεων.
5. Η παρούσα εγγύηση καλύπτει μόνο τα υλικά μέρη του προϊόντος. Δεν καλύπτει το λογισμικό (είτε της Sony, είτε τρίτων κατασκευαστών) για το οποίο παρέχεται ή πρόκειται να ισχύσει μια άδεια χρήσης από τον τελικό χρήστη ή χωριστές δηλώσεις εγγύησης ή εξαιρέσεις από την εγγύηση.

Εξαιρέσεις και περιορισμοί

Με εξαίρεση των όσων αναφέρονται ανωτέρω, η Sony δεν παρέχει καμία εγγύηση (ρητή, σιωπηρή, εκ του νόμου ή άλλη) όσον αφορά την ποιότητα, την επίδοση, την ακρίβεια, την αξιοπιστία, την καταλληλότητα του προϊόντος ή του λογισμικού που παρέχεται ή συνοδεύει το προϊόν, για συγκεκριμένο σκοπό. Εάν η ισχύουσα νομοθεσία απαγορεύει πλήρως ή μερικώς την παρούσα εξαίρεση, η Sony εξαιρεί ή περιορίζει την εγγύηση της μόνο στη μέγιστη έκταση που επιτρέπει η ισχύουσα νομοθεσία. Οποιαδήποτε εγγύηση ή οποία δεν εξαιρείται πλήρως (στο μέτρο που το επιτρέπει ο ισχύων νόμος) θα περιορίζεται στη διάρκεια ισχύος της παρούσας εγγύησης.

Η μοναδική υποχρέωση της Sony σύμφωνα με την παρούσα εγγύηση είναι η επίσκεψη ή η αντικατάσταση προϊόντων που υπόκεινται στους όρους και συνθήκες της εγγύησης. Η Sony δεν ευθύνεται για οποιαδήποτε απώλεια ή ζημιά που σχετίζεται με τα προϊόντα, το σέρβις, την παρούσα εγγύηση, συμπεριλαμβανομένων - των οικονομικών και άυλων απωλειών - του τιμήματος που καταβλήθηκε για την αγορά του προϊόντος - της απώλειας κερδών, εισοδήματος, δεδομένων, απόλαυσης ή χρήσης του προϊόντος ή οποιασδήποτε συνδεδεμένων προϊόντων - της άμεσης, παρεμπιπτόσας ή επακόλουθης απώλειας ή ζημίας ακόμη και αν αυτή η απώλεια ή ζημιά αφορά σε:

- Μειωμένη λειτουργία ή μη λειτουργία του προϊόντος ή συνδεδεμένων προϊόντων λόγω ελαττωμάτων ή μη διαθεσιμότητας κατά την περίοδο που αυτό βρίσκεται στη Sony ή σε μέλος του δικτύου ASN, η οποία προέκυψε διακοπή διαθεσιμότητας του προϊόντος, απώλεια χρόνου χρήστη ή διακοπή της εργασίας.
- Παροχή ανακριβών πληροφοριών ή ζητήθηκαν από το προϊόν ή από συνδεδεμένα προϊόντα.
- Ζημιά ή απώλεια λογισμικών προγραμμάτων ή αφαιρούμενων μέσων αποθήκευσης δεδομένων ή
- Μολύνσεις από ιούς ή άλλες αιτίες.

Τα ανωτέρω ισχύουν για απώλειες και ζημιές, που οπότεκνται σε οποιοσδήποτε γενικές αρχές δικαίου, συμπεριλαμβανομένης της αμέλειας ή άλλων αδικοπρασών, αθέτησης σύμβασης, ρητής ή σιωπηρής εγγύησης, και απόλυτης ευθύνης (ακόμα και για θέματα για τα οποία η Sony ή μέλος του δικτύου ASN έχει ειδοποιηθεί για τη δυνατότητα πρόκλησης τέτοιων ζημιών).

Στο μέτρο που η ισχύουσα νομοθεσία απαγορεύει ή περιορίζει αυτές τις εξαιρέσεις ευθύνης, η Sony εξαιρεί ή περιορίζει την ευθύνη της μόνο στη μέγιστη έκταση που της επιτρέπει η ισχύουσα νομοθεσία. Για παράδειγμα, μερικά κράτη απαγορεύουν την εξείρεση ή τον περιορισμό ζημιών που οφείλονται σε αμέλεια, σε βαριά αμέλεια, σε εκ προθέσεως παράπτωμα, σε δόλο και παρόμοιες πράξεις. Σε καμία περίπτωση, η ευθύνη της Sony κατά την παρούσα εγγύηση, δεν υπερβαίνει την τιμή που καταβλήθηκε για την αγορά του προϊόντος, ωστόσο αν η ισχύουσα νομοθεσία επιτρέπει μόνο περιορισμούς ευθύνης υψηλότερο βαθμού, θα ισχύουν οι τελευταίοι.

Τα επιφυλασσομένα νόμιμα δικαιώματά σας
Ο καταναλωτής έχει έναντι της Sony τα δικαιώματα που απορρέουν από την παρούσα εγγύηση, σύμφωνα με τους όρους που περιέχονται σε αυτήν, χωρίς να παραβιάζονται τα δικαιώματά του που πηγάζουν από την ισχύουσα εθνική νομοθεσία σχετικά με την πώληση καταναλωτικών προϊόντων.

Η παρούσα εγγύηση δεν θίγει τα νόμιμα δικαιώματα που ενδεχομένως να έχετε, ούτε εκείνα που δεν μπορούν να εξαιρεθούν ή να περιοριστούν, ούτε δικαιώματά σας εναντίον των προσώπων από τα οποία αγοράσατε το προϊόν. Η διεκδίκηση οποιωνδήποτε δικαιωμάτων σας εναντίονεται αποκλειστικά σε εσάς.

SONY EUROPE LIMITED, δ.τ. SONY HELLAS

Αμαρουσίου - Χαλανδρίου 18-20,
15125, Μαρούσι
Ελλάδα

Τιμήμα Εξυπηρέτησης Καταναλωτών
e-mail : cic-greece@eu.sony.com

Τηλέφωνο:

Για Ελλάδα

- 00800 4412 1496 (για κλήσεις από σταθερό τηλέφωνο - άνευ χρέωσης)
- 211 1980 703 (για κλήσεις από κινητό τηλέφωνο - με την τυπική χρέωση κλήσης από σταθερό σε κινητό)
Για Κύπρο
- 800 91150 (για κλήσεις τόσο από σταθερό όσο και από κινητό - άνευ χρέωσης)

ΣΗΜΑΝΤΙΚΗ ΣΗΜΕΙΩΣΗ

Αυτό το προϊόν έχει κατασκευαστεί από ή για λογαριασμό της Sony Corporation, 1-7-1 Konan Minato-ku Tόκιο, 108-0075 Ιαπωνία. Ερωτήσεις σχετικά με την συμμόρφωση του προϊόντος ως προς τη νομοθεσία της Ευρωπαϊκής Ένωσης θα πρέπει να απευθύνονται στον εξουσιοδοτημένο εκπρόσωπο Sony Belgium, bijkantoor van Sony Europe Limited, Da Vincilaan 7-D1, 1935 Zaventem, Βέλγιο. Για οποιοδήποτε θέμα υποστήριξης ή εγγύησης του προϊόντος, παρακαλώ ανατρέξτε στις διευθύνσεις που παρέχονται στα ειδικά έγγραφα υποστήριξης ή εγγύησης.

Σημείωση για τον ραδιοεξοπλισμό



Με την παρούσα, η Sony Corporation δηλώνει ότι ο ραδιοεξοπλισμός τύπου KD-75XE9405, KD-65XE9305, KD-55XE9305 συμμορφώνεται με τις ουσιαστικές απαιτήσεις και τις λοιπές σχετικές διατάξεις της Οδηγίας 1999/5/ΕΚ. Για λεπτομέρειες, παρακαλούμε όπως ελέγξετε την ακόλουθη σελίδα του διαδικτύου: <http://www.compliance.sony.de/>

Αυτός ο ραδιοεξοπλισμός μπορεί να λειτουργήσει στην ΕΕ χωρίς να παραβιάζει τις ισχύουσες απαιτήσεις για τη χρήση του ραδιοφάσματος.

Σημείωση για τους πελάτες: οι παρακάτω πληροφορίες αφορούν μόνο εξοπλισμό που πωλείται σε χώρες όπου ισχύουν οι οδηγίες της Ε.Ε.

Το ασύρματο σύστημα τηλεόρασης μπορεί να χρησιμοποιηθεί στις παρακάτω χώρες:

ΑΤ, ΒΕ, ΗΡ, CY, CZ, ΔΚ, ΕΕ, FΙ, FR, DE, EL, ΗΥ, ΙΕ, ΙΤ, LV, LT, LU, ΜΤ, ΝL, PL, PT, SK, SI, ΕS, ΕΚ, UK, IS, LI, ΝO, CH, BG, RO, TR, AL, BA, MK, MD, RS, ME, Κόσοβο

Ο εξοπλισμός μπορεί να χρησιμοποιηθεί σε άλλες χώρες εκτός της Ευρώπης.

Πληροφορίες σχετικά με την ασφάλεια

ΠΡΟΕΙΔΟΠΟΙΗΣΗ

Οι μπαταρίες δεν θα πρέπει να εκτίθενται σε υπερβολική θερμότητα, π.χ. στο φως του ήλιου, φωτιά ή παρόμοια κατάσταση.

Ποτέ μην τοποθετείτε την τηλεόραση σε μη σταθερή θέση. Η τηλεόραση μπορεί να πέσει, προκαλώντας σοβαρό τραυματισμό ή θάνατο. Πολλοί τραυματισμοί, ιδιαίτερα παιδιών, μπορούν να αποφευχθούν με τη λήψη απλών προφυλάξεων όπως:

- Η χρήση επίπλων ή βάσεων που συνιστώνται από το κατασκευαστή της τηλεόρασης.
- Η χρήση μόνο επίπλων που μπορούν με ασφάλεια να στηρίξουν την τηλεόραση.
- Φροντίζοντας η τηλεόραση να μην εξέχει από την άκρη του επίπλου στο οποίο είναι τοποθετημένη.
- Η αποφυγή τοποθέτησης της τηλεόρασης σε ψηλά έπιπλα (για παράδειγμα, ντουλάπια ή βιβλιοθήκες) χωρίς τη στερέωση τόσο του επίπλου όσο και της τηλεόρασης σε κατάλληλο στήριγμα.
- Η αποφυγή τοποθέτησης της τηλεόρασης πάνω σε ύφασμα ή άλλα υλικά που μπορεί να τοποθετούνται μεταξύ της τηλεόρασης και του επίπλου στο οποίο είναι τοποθετημένη.
- Η εκπαίδευση των παιδιών σχετικά με τους κινδύνους σκαρφαλώματος σε έπιπλα για να φτάσουν την τηλεόραση ή τα χειριστήριά της.

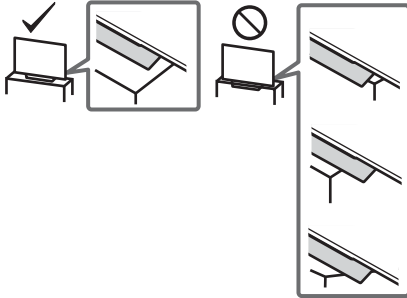
Αν θα κρατήσετε και θα αλλάξετε θέση στην τηλεόραση που ήδη έχετε, πρέπει να λάβετε και πάλι υπόψη τα παραπάνω σημεία.

Εγκατάσταση/Ρύθμιση

Προκειμένου να αποφύγετε τυχόν κινδύνους πυρκαγιάς, ηλεκτροπληξίας ή ζημιάς ή/και τραυματισμών, εγκαταστήστε και χρησιμοποιήστε την τηλεόραση σύμφωνα με τις παρακάτω οδηγίες.

Εγκατάσταση

- Η τηλεόραση πρέπει να εγκατασταθεί κοντά σε παροχή ρεύματος εύκολα προσβάσιμη.
- Τοποθετήστε την τηλεόραση σε μια σταθερή, επίπεδη επιφάνεια, ώστε να αποφευχθεί η πτώση της και η πρόκληση ανθρωπίνου τραυματισμού ή ζημιάς.
- Εγκαταστήστε την τηλεόραση σε ένα σημείο στο οποίο δεν θα κινδυνεύει να τραβηχτεί, να σπρωχθεί ή να ανατραπεί.
- Εγκαταστήστε την τηλεόραση έτσι ώστε η Βάση επιτραπέζιας τοποθέτησης να μην προεξέχει από τη βάση της τηλεόρασης (δεν παρέχεται). Εάν η Βάση επιτραπέζιας τοποθέτησης προεξέχει από τη βάση της τηλεόρασης, η τηλεόραση ενδέχεται να αναποδογυρίσει, να πέσει και να προκληθεί ανθρωπίνος τραυματισμός ή βλάβη στην τηλεόραση.



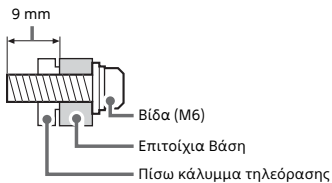
- Η εγκατάσταση στον τοίχο πρέπει να πραγματοποιείται μόνο από εξειδικευμένο προσωπικό.
- Για λόγους ασφαλείας, συστήνεται η χρήση των εξαρτημάτων της Sony, μεταξύ των οποίων περιλαμβάνονται:
 - Επιτοίχια Βάση SU-WL845 (μόνο για KD-75XE94xx, KD-65XE93xx)
 - Επιτοίχια Βάση SU-WL840 (μόνο για KD-55XE93xx)
 - Επιτοίχια Βάση SU-WL450 (μόνο για KD-65/55XE93xx)
- Βεβαιωθείτε ότι χρησιμοποιείτε τις βίδες που παρέχονται με την Επιτοίχια βάση όταν τοποθετείτε την Επιτοίχια βάση στην τηλεόραση. Οι βίδες που παρέχονται έχουν σχεδιαστεί, έτσι ώστε να έχουν τις διαστάσεις που υποδεικνύονται στην εικόνα, όταν τις μετρήσουμε από την επιφάνεια στερέωσης της Επιτοίχιας βάσης.

Η διάμετρος και το μήκος των βιδών διαφέρουν ανάλογα με το μοντέλο του επιτοίχιου στηρίγματος.

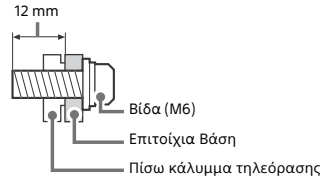
Η χρήση διαφορετικών βιδών από αυτές που παρέχονται μπορεί να προκαλέσει εσωτερική ζημιά στην τηλεόραση ή μπορεί να πέσει, κλπ.

– Προαιρετική Επιτοίχια Βάση (μόνο για SU-WL845, SU-WL840)

Επάνω πλευρά



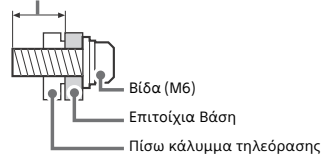
Κάτω πλευρά



– Προαιρετική Επιτοίχια Βάση (Εκτός των SU-WL845, SU-WL840)

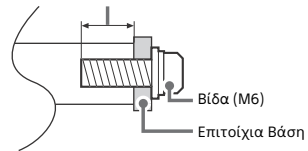
KD-75XE94xx

9 mm - 13 mm



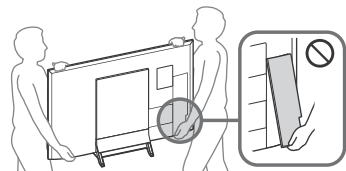
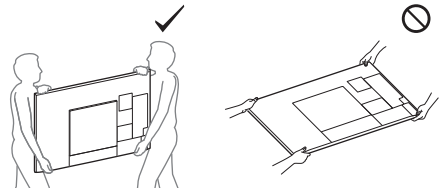
KD-65/55XE93xx

8 mm - 12 mm

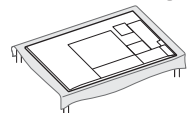


Μεταφορά

- Προτού μεταφέρετε την τηλεόραση, αποσυνδέστε όλα τα καλώδια.
- Για τη μεταφορά μιας μεγάλης τηλεόρασης χρειάζονται δύο ή τρία άτομα.
- Όταν μεταφέρετε την τηλεόραση με τα χέρια, να την κρατάτε όπως υποδεικνύεται παρακάτω. Μην ασκείτε πίεση στην οθόνη LCD και στο πλαίσιο που περιβάλλει την οθόνη.



- Όταν κρατάτε ή τοποθετείτε την τηλεόραση στη βάση, μην ακουμπάτε κάτω την τηλεόραση.

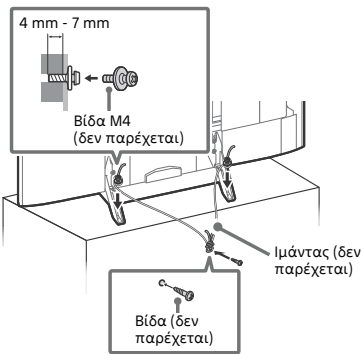
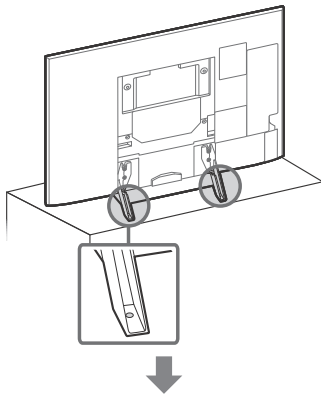


- Κατά τη μεταφορά, μην υποβάλλετε την τηλεόραση σε χτυπήματα ή υπερβολικούς κραδασμούς.

GR

- Όταν μεταφέρετε την τηλεόραση για επισκευή ή όταν την μεταφέρετε σε άλλο χώρο, συσκευάστε την χρησιμοποιώντας το αρχικό χαρτόκουτο και τα υλικά συσκευασίας.

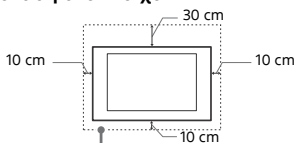
Αποτροπή πτώσης



Εξαερισμός

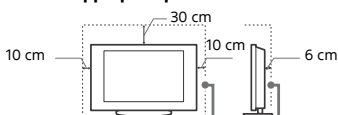
- Μην καλύπτετε ποτέ τις οπές αερισμού του περιβλήματος και μην εισάγετε οτιδήποτε στο εσωτερικό του περιβλήματος.
- Αφήστε χώρο γύρω από την τηλεόραση όπως φαίνεται παρακάτω.
- Συνιστάται θερμά η χρήση του στρίγγματος τοίχου της Sony ώστε να είναι δυνατή η επαρκής κυκλοφορία του αέρα στην τηλεόραση.

Εγκατάσταση στον τοίχο



Αφήστε τουλάχιστον αυτό το κενό γύρω από την τηλεόραση.

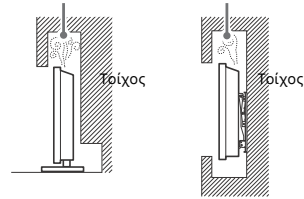
Εγκατάσταση με βάση



Αφήστε τουλάχιστον αυτό το κενό γύρω από την τηλεόραση.

- Για να εξασφαλίσετε τον κατάλληλο εξαερισμό και για να αποφευχθεί η συσσώρευση ακαθαρσιών ή σκόνης:
 - Μην τοποθετείτε την τηλεόραση σε οριζόντια θέση (με την οθόνη προς τα πάνω ή προς τα κάτω), αναποδογυρισμένη ή στο πλάι.
 - Μην τοποθετείτε την τηλεόραση πάνω σε ράφι, χαλί, κρεβάτι ή μέσα σε ντουλάπα.
 - Μην καλύπτετε την τηλεόραση με υφάσματα όπως κουρτίνες, ή αντικείμενα όπως εφημερίδες, κλπ.
 - Μην τοποθετείτε την τηλεόραση όπως φαίνεται παρακάτω.

Η κυκλοφορία του αέρα έχει μπλοκαριστεί.



Καλώδιο τροφοδοσίας

Προκειμένου να αποφύγετε τυχόν κινδύνους πυρκαγιάς, ηλεκτροπληξίας ή ζημιάς ή/και τραυματισμών, χρησιμοποιήστε το καλώδιο τροφοδοσίας και την πρίζα ως εξής:

- Χρησιμοποιήστε μόνο το καλώδιο τροφοδοσίας που παρέχεται από τη Sony, όχι από άλλους κατασκευαστές.
- Τοποθετήστε το φις στην πρίζα μέχρι να εισέλθει τελείως.
- Λειτουργήστε την τηλεόραση μόνο με παροχή ρεύματος 220 V - 240 V AC.
- Κατά την πραγματοποίηση της καλωδίωσης, βεβαιωθείτε ότι αποσυνδέσατε το καλώδιο τροφοδοσίας για την ασφάλειά σας και προσέξτε μην μπλεχτούν τα πόδια σας στα καλώδια.
- Προτού προβείτε σε οποιαδήποτε εργασία που αφορά στην τηλεόρασή σας και πριν τη μετακινήσετε, αποσυνδέστε το φις του καλωδίου τροφοδοσίας από την πρίζα.
- Κρατήστε το καλώδιο τροφοδοσίας μακριά από πηγές θερμότητας.
- Αποσυνδέστε το φις και καθαρίζετε το τακτικά. Εάν το φις καλυφθεί με σκόνη και μαζέψει υγρασία, μπορεί να μειωθεί η ποιότητα της μόνωσης και να προκληθεί πυρκαγιά.

Σημείωση

- Μη χρησιμοποιείτε το παρεχόμενο καλώδιο τροφοδοσίας σε οποιαδήποτε άλλη συσκευή.
- Μην τρυπάτε, λυγίζετε ή συστρέφετε πολύ το καλώδιο τροφοδοσίας. Οι αγωγοί του πυρήνα μπορεί να απογυμνωθούν ή να σπάσουν.
- Μην τροποποιείτε το καλώδιο τροφοδοσίας.
- Μην τοποθετείτε οποιοδήποτε βαρύ αντικείμενο πάνω στο καλώδιο τροφοδοσίας.
- Για να αποσυνδέσετε το καλώδιο τροφοδοσίας από την πρίζα, μην τραβήξετε το ίδιο το καλώδιο.
- Μη συνδέετε πολλές συσκευές στην ίδια πρίζα.
- Μην χρησιμοποιείτε πρίζες με κακή εφαρμογή.

ΣΗΜΕΙΩΣΗ ΣΧΕΤΙΚΑ ΜΕ ΤΟ ΜΕΤΑΣΧΗΜΑΤΙΣΤΗ ΚΕΝΤΡΙΚΗΣ ΠΑΡΟΧΗΣ (μόνο για μοντέλα με προσαρμογέα ρεύματος που παρέχεται)

Προειδοποίηση

Για να περιορίσετε τον κίνδυνο πυρκαγιάς ή ηλεκτροπληξίας, μην αφήνετε αυτήν τη συσκευή εκτεθειμένη σε βροχή ή υγρασία.

Για να αποφύγετε τον κίνδυνο ηλεκτροπληξίας, μην τοποθετείτε δοχεία γεμάτα με υγρά, όπως για παράδειγμα ανθοδοχεία, πάνω στη συσκευή. Μην τοποθετείτε αυτήν τη συσκευή σε περιορισμένες επιφάνειες, για παράδειγμα σε ράφια ή παρόμοιες μονάδες.

- Βεβαιωθείτε ότι η πρίζα ρεύματος βρίσκεται κοντά στη συσκευή και ότι είναι εύκολα προσβάσιμη.

- Χρησιμοποιήστε απαραίτητα το μετασχηματιστή κεντρικής παροχής και το καλώδιο ρεύματος που παρέχονται.
- Μην χρησιμοποιήσετε κανέναν άλλο μετασχηματιστή κεντρικής παροχής. Ενδέχεται να προκληθεί δυσλειτουργία.
- Συνδέστε το μετασχηματιστή κεντρικής παροχής σε μια εύκολα προσβάσιμη πρίζα.
- Μην τυλίγετε το καλώδιο ρεύματος γύρω από το μετασχηματιστή κεντρικής παροχής. Το κεντρικό σύρμα του καλωδίου ενδέχεται να κοπεί ή/και να προκληθεί δυσλειτουργία στο δέκτη πολυμέσων.
- Μην αγγίζετε το μετασχηματιστή κεντρικής παροχής με βρεγμένα χέρια.
- Εάν παρατηρήσετε μη ομαλή λειτουργία του μετασχηματιστή κεντρικής παροχής, αποσυνδέστε τον από την πρίζα αμέσως.
- Η συσκευή δεν αποσυνδέεται από την κεντρική παροχή όσο παραμένει συνδεδεμένη στην πρίζα, ακόμα κι αν η συσκευή είναι απενεργοποιημένη.
- Επειδή η θερμοκρασία του μετασχηματιστή κεντρικής παροχής αυξάνεται όταν χρησιμοποιείται για μεγάλο χρονικό διάστημα, ενδέχεται να αισθανθείτε τη θερμότητα όταν τον αγγίζετε με τα χέρια σας.



- Εάν η τηλεόραση τοποθετηθεί στα αποθύρητα δημόσιων λουτρών ή ιαματικών πηγών, ενδέχεται να υποστεί βλάβη από το θείο που εκλύεται στον αέρα κλπ.



- Για να έχετε άριστη ποιότητα εικόνας, μην εκθέτετε την οθόνη σε απευθείας φωτισμό ή ηλιακή ακτινοβολία.
- Αποφύγετε τη μετακίνηση της τηλεόρασης από ένα ψυχρό σε ένα θερμό μέρος. Οι ξαφνικές αλλαγές της θερμοκρασίας δωματίου ενδέχεται να προκαλέσουν συμπύκνωση υγρασίας. Αυτό πιθανόν να οδηγήσει σε προβολή χαμηλής ποιότητας εικόνας και χρώματος από την τηλεόραση. Αν συμβεί αυτό, αφήστε την υγρασία να εξατμιστεί εντελώς πριν ενεργοποιήσετε την τηλεόραση.

Θραύσματα:

- Μην πετάτε οτιδήποτε στην τηλεόραση. Από την πρόσκρουση μπορεί να σπάσει το γυαλί της οθόνης και να προκληθεί σοβαρός τραυματισμός.
- Εάν η επιφάνεια της τηλεόρασης ραγίσει, μην την ακουμπήσετε μέχρι να αποσυνδέσετε το καλώδιο τροφοδοσίας. Σε αντίθετη περίπτωση μπορεί να προκληθεί ηλεκτροπληξία.

Περιορισμοί στη χρήση

Για να αποφευχθούν δυσλειτουργίες και πρόκληση πυρκαγιάς, ηλεκτροπληξίας, ζημιάς ή/και τραυματισμών, μην τοποθετείτε/χρησιμοποιείτε την τηλεόραση σε θέσεις, περιβάλλοντα ή συνθήκες όπως αυτές που παρατίθενται στη συνέχεια.

Τοποθεσία:

- Σε εξωτερικούς χώρους (απευθείας στο ηλιακό φως), ακτές, πλοία ή άλλα σκάφη, μέσα σε οχήματα, σε νοσοκομεία, σε μη σταθερές επιφάνειες, κοντά σε νερό, βροχή, υγρασία ή καπνό.

Περιβάλλον:

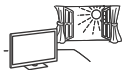
- Σε μέρη που είναι ζεστά, υγρά ή υπερβολικά σκονισμένα - σε μέρη όπου μπορούν να εισέλθουν έντομα - σε μέρη όπου ενδέχεται να εκτεθεί σε μηχανικές δονήσεις, κοντά σε εύθραυστα αντικείμενα (κερί, κλπ.). Η τηλεόραση δεν πρέπει να εκτίθεται σε σταλαγματίες ή πιτσιλιές και μην τοποθετείτε πάνω στην τηλεόραση αντικείμενα που περιέχουν υγρά, όπως για παράδειγμα βάζα.

Συνθήκες:

- Χρησιμοποιείτε την τηλεόραση με βρεγμένα χέρια, όταν έχετε αφαιρέσει το περίβλημα ή με εξαρτήματα που δε συνιστώνται από τον κατασκευαστή. Κατά τη διάρκεια καταιγίδων με κεραυνούς αποσυνδέστε την τηλεόραση από την πρίζα ρεύματος και από την κεραία.
- Τοποθετείτε την τηλεόραση έτσι ώστε να προεξέχει σε ανοιχτό χώρο. Ενδέχεται να προκληθεί τραυματισμός ή ζημιά, εάν ένα άτομο ή αντικείμενο προσκολληθεί στην τηλεόραση.



- Τοποθετείτε την τηλεόραση σε χώρο με υγρασία ή σκόνη ή σε ένα δωμάτιο με ελαϊώδες νέφος ή υδρατμούς (κοντά σε πάγκους κουζίνας ή σε υφρανθήρες). Ενδέχεται να προκληθεί πυρκαγιά, ηλεκτροπληξία ή παραμόρφωση.
- Τοποθετείτε την τηλεόραση σε μέρη που υπόκεινται σε ακραίες θερμοκρασίες όπως, για παράδειγμα, σε σημεία που εκτίθενται σε άμεσο ηλιακό φως, κοντά σε καλοριφέρ ή συσκευές θέρμανσης. Σε τέτοιες συνθήκες η τηλεόραση μπορεί να υπερθερμανθεί, κάτι που μπορεί να προκαλέσει παραμόρφωση του περιβλήματος ή/και δυσλειτουργία της τηλεόρασης.



Όταν δεν χρησιμοποιείται

- Εάν πρόκειται να μη χρησιμοποιήσετε την τηλεόραση για αρκετές ημέρες, θα πρέπει να την αποσυνδέσετε από την παροχή ρεύματος για λόγους περιβαλλοντικούς και ασφάλειας.
- Μετά την απενεργοποίηση της τηλεόρασης, η τηλεόραση δεν έχει αποσυνδεθεί από την παροχή ρεύματος. Για να την αποσυνδέσετε εντελώς, τραβήξτε το φως από την πρίζα.
- Κάποια μοντέλα τηλεοράσεων πρέπει να παραμένουν σε κατάσταση αναμονής για να εξασφαλίζεται η σωστή λειτουργία τους.

Για τα παιδιά

- Μην επιτρέπετε στα παιδιά να σκαρφαλώνουν πάνω στην τηλεόραση.
- Κρατήστε τα μικρά εξαρτήματα μακριά από παιδιά, ώστε να μην υπάρχει κίνδυνος να τα καταπιούν κατά λάθος.

Εάν συμβεί το ακόλουθο πρόβλημα...

Εάν συμβεί οποιοδήποτε από τα παρακάτω προβλήματα, **απενεργοποιήστε** την τηλεόραση και αποσυνδέστε το καλώδιο τροφοδοσίας. Απευθυνθείτε στο κατάστημα πώλησης ή στο σέρβις της Sony ώστε να γίνει έλεγχος από το εξουσιοδοτημένο σέρβις.

Όταν:

- Το καλώδιο τροφοδοσίας έχει υποστεί ζημιά.
- Η πρίζα εμφανίζει κακή εφαρμογή.
- Η τηλεόραση έχει υποστεί ζημιά από πτώση, χτύπημα ή πέσιμο αντικειμένου επάνω σε αυτή.
- Κάποιο υγρό ή αντικείμενο πέσει μέσω των ανοιγμάτων μέσα στο εσωτερικό του περιβλήματος.

Σχετικά με τη θερμοκρασία των LCD TV

Όταν η LCD TV χρησιμοποιείται για μεγάλο χρονικό διάστημα, το περιβάλλον τμήμα του πλαισίου θερμαίνεται. Μπορεί να αισθανθείτε τη θερμότητα εάν αγγίξετε τη συγκεκριμένη περιοχή με τα χέρια σας.

Προφυλάξεις

Παρακολούθηση τηλεόρασης

- Παρακολουθείτε την τηλεόραση με συνθήκες μέτριας φωτισμού, καθώς η παρακολούθηση της τηλεόρασης με συνθήκες χαμηλού φωτισμού ή για μεγάλα χρονικά διαστήματα μπορεί να κουράσει τα μάτια σας.
- Όταν χρησιμοποιείτε ακουστικά, αποφύγετε τη ρύθμιση της έντασης ήχου σε υψηλά επίπεδα καθώς κάτι τέτοιο μπορεί να σας προκαλέσει προβλήματα ακοής.

Οθόνη LCD

- Παρόλο που η οθόνη LCD (υγρών κρυστάλλων) κατασκευάζεται με τεχνολογία υψηλής ακρίβειας και διαθέτει ενεργά πίεξη 99,99 % ή περισσότερο, υπάρχει η πιθανότητα να εμφανιστούν μόνιμα στην οθόνη LCD μερικές μαύρες κουκίδες ή φωτεινά σημεία (κόκκινα, πράσινα ή μπλε). Αυτό αποτελεί ένα ενγενές χαρακτηριστικό των οθονών υγρών κρυστάλλων (LCD) και δεν υποδηλώνει δυσλειτουργία.
- Μη σπρώχνετε ή χαράσσετε το εμπρός φίλτρο, και μην τοποθετείτε αντικείμενα επάνω σε αυτή την τηλεόραση. Η εικόνα μπορεί να παρουσιάσει ανωμαλίες ή η οθόνη υγρών κρυστάλλων να υποστεί ζημιά.
- Εάν αυτή η τηλεόραση χρησιμοποιηθεί σε κρύο χώρο, υπάρχει περίπτωση να εμφανισθεί κηλίδα στην εικόνα ή η εικόνα να γίνει σκούρα. Αυτό δεν υποδηλώνει δυσλειτουργία. Αυτά τα φαινόμενα εξαφανίζονται καθώς αυξάνεται η θερμοκρασία.
- Υπάρχει η πιθανότητα εμφάνισης ειδώλου εικόνας στην οθόνη εάν προβάλλονται συνεχώς ακίνητες εικόνες. Το ειδώλο εικόνας μπορεί να εξαφανιστεί μετά από κάποιο χρόνο.
- Η οθόνη και το περιβλήμα ζεσταίνονται όταν η τηλεόραση βρίσκεται σε λειτουργία. Δεν πρόκειται για δυσλειτουργία.
- Η οθόνη LCD περιέχει μικρή ποσότητα υγρού κρυστάλλου. Για την απόρριψη τηρήστε τις τοπικές διατάξεις και κανονισμούς.

Χειρισμός και καθαρισμός της επιφάνειας της οθόνης/ περιβλήματος της τηλεόρασης

Βεβαιωθείτε ότι αποσυνδέσατε από την πρίζα το συνδεδεμένο στην τηλεόραση καλώδιο παροχής ρεύματος πριν τον καθαρισμό.

Για να αποφύγετε την πρόκληση ζημιών στο υλικό ή στην επίστρωση της οθόνης, τηρήστε τις ακόλουθες προφυλάξεις.

- Για να αφαιρέσετε τη σκόνη από την επιφάνεια της οθόνης/ περιβλήματος, σκουπίστε ελαφρά με ένα μαλακό πανί. Εάν η σκόνη παραμένει, σκουπίστε με ένα μαλακό πανί ελαφρά βρεγμένο σε διάλυμα ήπιου απορρυπαντικού.

- Ποτέ μην ψεκάζετε νερό ή απορρυπαντικό απευθείας πάνω στην τηλεόραση. Ενδέχεται να σταθεί στο κάτω μέρος της οθόνης ή στα εξωτερικά τμήματα και να εισχωρήσει στην τηλεόραση, με αποτέλεσμα να προκληθεί βλάβη στην τηλεόραση.

- Μη χρησιμοποιήσετε ποτέ σφουγγαράκι, αλκαλικά/όξινα καθαριστικά, σκόνες καθαρισμού ή διαλυτικά όπως οινόπνευμα, βενζίνη, διαλυτικά ή εντομοκτόνα. Η χρήση τέτοιων ουσιών ή η παρατεταμένη επαφή με λαστιχένια ή υλικά από βινύλιο, μπορεί να προκαλέσει ζημιά στην επιφάνεια της οθόνης και στο υλικό του περιβλήματος.
- Μην αγγίζετε την τηλεόραση αν το χέρι σας είναι καλυμμένο με οποιαδήποτε χημική ουσία όπως κρέμα χεριών ή αντηλιακό.
- Συνιστάται περιοδικός καθαρισμός των ανοιγμάτων εξαερισμού με ηλεκτρική σκούπα για να διασφαλίζεται ο σωστός εξαερισμός.
- Όταν προσαρμόζετε τη γωνία της τηλεόρασης, μετακινήστε την αργά ώστε να απορβέψετε την ανατροπή της από την επιτραπέζια βάση της.

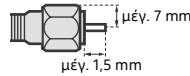


Προαιρετικές συσκευές

- Κρατήστε τα προαιρετικά εξαρτήματα ή άλλες συσκευές που εκπέμπουν ηλεκτρομαγνητική ακτινοβολία μακριά από την τηλεόραση. Διαφορετικά μπορεί να παρατηρηθεί παραμόρφωση της εικόνας ή/και ήχος με θόρυβο.
- Ο εξοπλισμός αυτός έχει ελεγχθεί και έχει βρεθεί ότι συμμορφώνεται με τα όρια που καθορίζονται από την οδηγία περί ηλεκτρομαγνητικής συμβατότητας όταν χρησιμοποιείται για τη σύνδεση καλωδίου σήματος μήκους μικρότερου από 3 μέτρα.
- Ο εξοπλισμός αυτός έχει ελεγχθεί και έχει βρεθεί ότι συμμορφώνεται με τα όρια που καθορίζονται από την οδηγία περί ηλεκτρομαγνητικής συμβατότητας όταν χρησιμοποιείται καλώδιο RF μήκους μικρότερου από 30 μέτρα για τον ακροδέκτη επίγειας/δορυφορικής/καλωδιακής τηλεόρασης.

Σύσταση για το βύσμα τύπου F

Το εσωτερικό σύρμα δεν θα πρέπει να προεξέχει περισσότερο από 1,5 mm από το τμήμα της σύνδεσης.



(Σχέδιο αναφοράς για το βύσμα τύπου F)

Ασύρματη λειτουργία της μονάδας

- Μη θέσετε σε λειτουργία την παρούσα συσκευή κοντά σε ιατρικό εξοπλισμό (βηματοδότες, κλπ.), καθώς ενδέχεται να προκύψει δυσλειτουργία του ιατρικού εξοπλισμού.
- Παρόλο που αυτή η μονάδα μεταδίδει/λαμβάνει κωδικοποιημένα σήματα, να είστε προσεκτικοί για μη εξουσιοδοτημένη υποκλοπή. Δεν φέρουμε καμία ευθύνη για πιθανά προβλήματα.
- Ο εξοπλισμός αυτός πρέπει να εγκαθίσταται και να λειτουργεί κρατώντας απόσταση διαχωρισμού τουλάχιστον 20 cm ή περισσότερο μεταξύ της κεραίας αυτής της συσκευής και του σώματος του ατόμου.

Προφύλαξη σχετικά με το χειρισμό του τηλεχειριστηρίου

- Να τηρείτε τη σωστή πολικότητα κατά την τοποθέτηση των μπαταριών.
- Μη χρησιμοποιείτε διαφορετικούς τύπους μπαταριών μαζί ή μην ανακατεύετε τις παλιές με τις καινούριες μπαταρίες.
- Να απορρίπτετε τις μπαταρίες, δείχνοντας σεβασμό στο περιβάλλον. Ορισμένες περιοχές ενδέχεται να έχουν κανονισμούς για την απόρριψη των μπαταριών. Συμβουλευθείτε τις τοπικές αρχές.
- Χρησιμοποιήστε το τηλεχειριστήριο με προσοχή. Μην το αφήνετε να πέφτει, μην το πατάτε και μη χύνετε υγρά οποιουδήποτε είδους πάνω του.
- Μην τοποθετείτε το τηλεχειριστήριο κοντά σε πηγές θερμότητας, σε θέση που να το βλέπει ο ήλιος ή σε δωμάτιο με υγρασία.

Απόρριψη της τηλεόρασης



Απόρριψη παλαιών ηλεκτρικών & ηλεκτρονικών συσκευών (Ισχύει στην Ευρωπαϊκή Ένωση και άλλες Ευρωπαϊκές χώρες με ξεχωριστά συστήματα αποκομιδής)

Το σύμβολο αυτό επάνω στο προϊόν ή στη συσκευασία του υποδεικνύει ότι το προϊόν αυτό δεν θα πρέπει να απορρίπτεται μαζί με τα συνηθισμένα οικιακά απορρίμματα.

Αντίθετα θα πρέπει να παραδίδεται στο κατάλληλο σημείο αποκομιδής για την ανακύκλωση ηλεκτρικών και ηλεκτρονικών συσκευών. Εξασφαλίζοντας ότι το προϊόν αυτό απορρίπτεται σωστά, βοηθάτε στο να αποτραπούν όποιες αρνητικές επιπτώσεις στην ανθρώπινη υγεία και στο περιβάλλον που θα προέκυπταν από την μη κατάλληλη διαχείριση των αποβλήτων αυτού του προϊόντος. Η ανακύκλωση των υλικών βοηθά στην εξοικονόμηση των φυσικών πόρων. Για περισσότερες πληροφορίες σχετικά με την ανακύκλωση αυτού του προϊόντος, επικοινωνήστε με τις δημοτικές αρχές της περιοχής σας, με την υπηρεσία διάθεσης των οικιακών απορριμμάτων ή το κατάστημα από το οποίο αγοράσατε το προϊόν.

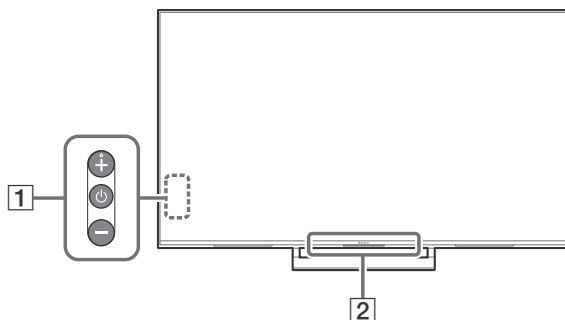


Εναλλακτική διαχείριση φορητών ηλεκτρικών στηλών και συσσωρευτών (Ισχύει στην Ευρωπαϊκή Ένωση και άλλες Ευρωπαϊκές χώρες με ξεχωριστά συστήματα συλλογής)

Το σύμβολο αυτό επάνω στη μπαταρία ή στη συσκευασία δείχνει ότι η μπαταρία που παρέχεται με αυτό το προϊόν δεν πρέπει να αντιμετωπίζεται όπως τα οικιακά απορρίμματα. Σε ορισμένες μπαταρίες το σύμβολο αυτό μπορεί να χρησιμοποιηθεί σε συνδυασμό με ένα χημικό σύμβολο. Τα χημικά σύμβολα για τον υδράργυρο (Hg) ή τον μόλυβδο (Pb) προστίθενται αν η μπαταρία περιέχει περισσότερο από 0,0005 % υδραργύρου ή 0,004 % μόλυβου. Με το να βεβαιωθείτε ότι οι συγκεκριμένες μπαταρίες συλλέχτηκαν σωστά, βοηθάτε στην πρόληψη πιθανών αρνητικών επιπτώσεων στο περιβάλλον και την υγεία. Η ανακύκλωση των υλικών θα βοηθήσει στην εξοικονόμηση φυσικών πόρων. Στην περίπτωση προϊόντων που για λόγους ασφαλείας, επιδόσεων, η ακεραιότητας δεδομένων απαιτούν τη μόνιμη σύνδεση με μια ενσωματωμένη μπαταρία, αυτή η μπαταρία θα πρέπει να αντικαθίσταται μόνο από εξουσιοδοτημένο τεχνικό προσωπικό. Για να εξασφαλίσετε την σωστή μεταχείριση της μπαταρίας, παραδώστε το προϊόν στο τέλος της διάρκειας ζωής του στο κατάλληλο σημείο συλλογής ηλεκτρικού και ηλεκτρονικού εξοπλισμού για ανακύκλωση. Στην περίπτωση όλων των άλλων μπαταριών, παρακαλούμε δείτε το τμήμα που περιγράφει πώς να αφαιρέσετε με ασφάλεια τη μπαταρία από το προϊόν. Παραδώστε την μπαταρία στο κατάλληλο σημείο συλλογής των χρησιμοποιημένων μπαταριών για ανακύκλωση. Για περισσότερες πληροφορίες σχετικά με την ανακύκλωση αυτού του προϊόντος ή της μπαταρίας, παρακαλούμε επικοινωνήστε με τον αρμόδιο φορέα ανακύκλωσης ή το κατάστημα όπου αγοράσατε το προϊόν.

Εξαρτήματα και χειριστήρια

Χειριστήρια και ενδείξεις



- 1** **⏻ (Λειτουργία) / +/-**
Όταν η τηλεόραση είναι απενεργοποιημένη:
Πατήστε το ⏻ για να την ενεργοποιήσετε.
Όταν η τηλεόραση είναι ενεργοποιημένη:
Πιέστε παρατεταμένα το ⏻ για απενεργοποίηση.
Πιέστε επανειλημμένα το ⏻ για να αλλάξετε τη λειτουργία και, έπειτα πιέστε το κουμπί + ή - για να κάνετε τα εξής:
- Ρύθμιση της έντασης.
 - Επιλογή του καναλιού.
 - Επιλογή της πηγής εισόδου της τηλεόρασης.

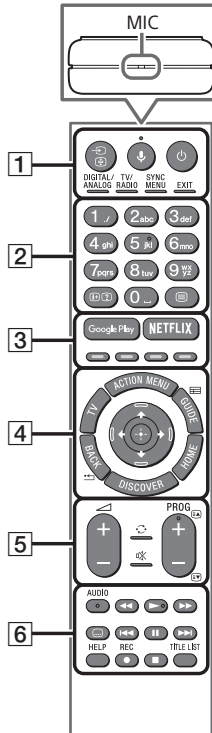
- 2** **Αισθητήρας Τηλεχειρισμού* / Αισθητήρας φωτός* / LED φωτισμού**
Η λυχνία LED φωτισμού ανάβει ή αναβοσβήνει ανάλογα με την κατάσταση της τηλεόρασης.
Για περισσότερες πληροφορίες, ανατρέξτε στον Οδηγό βοήθειας.

* Μην τοποθετείτε τίποτα κοντά στον αισθητήρα.

Χρήση του Τηλεχειριστηρίου

Περιγραφή μερών του τηλεχειριστηρίου

Το σχήμα, η θέση, η διαθεσιμότητα και η λειτουργία των κουμπιών του τηλεχειριστηρίου μπορεί να διαφέρουν ανάλογα με την περιοχή/τη χώρα/το μοντέλο της τηλεόρασης.



1 \Rightarrow / \oplus (Επιλογή εισόδου/Στάση κειμένου)

Στη λειτουργία τηλεόρασης: Εμφανίστε και επιλέξτε την πηγή εισόδου.
Στη λειτουργία κειμένου: Παραμείνετε στην τρέχουσα σελίδα.

\downarrow (Μικρόφωνο)

Χρησιμοποιήστε τη λειτουργία φωνής. (π.χ. Αναζητήστε περιεχόμενο με φωνητικές εντολές.)

\circlearrowright (Τηλεόραση σε αναμονή)

Ενεργοποιήστε ή απενεργοποιήστε την τηλεόραση (λειτουργία αναμονής).

DIGITAL/ANALOG

Πραγματοποιήστε εναλλαγή ανάμεσα στην ψηφιακή και την αναλογική λειτουργία.

TV/RADIO

Πραγματοποιήστε εναλλαγή ανάμεσα στις μεταδόσεις TV ή RADIO.

SYNC MENU

Εμφανίστε το Μενού του BRAVIA Sync.

EXIT

Επιστρέψτε στην προηγούμενη οθόνη ή κλείστε το μενού. Όταν είναι διαθέσιμη μια υπηρεσία αλληλεπιδραστικής εφαρμογής, πιέστε το για να εξέλθετε από την υπηρεσία.

2 Αριθμητικά κουμπιά

(Αποκάλυψη πληροφοριών/κειμένου)

Εμφανίστε πληροφορίες.

(Κείμενο)

Εμφανίστε πληροφορίες κειμένου.

3 Google Play

Αποκτήστε πρόσβαση στην ηλεκτρονική υπηρεσία "Google Play".

NETFLIX (Μόνο σε περιορισμένες περιοχές/χώρες/μοντέλα τηλεόρασης)

Αποκτήστε πρόσβαση στην ηλεκτρονική υπηρεσία "NETFLIX".

Έγχρωμα κουμπιά

Εκτελέστε την αντίστοιχη λειτουργία τη δεδομένη στιγμή.

4 ACTION MENU

Εμφανίστε μια λίστα με σχετικές λειτουργίες.

TV

- Μεταβείτε σε ένα τηλεοπτικό κανάλι ή επιλέξτε είσοδο από άλλες εφαρμογές.
- Ενεργοποιήστε την τηλεόραση για να προβάλει ένα τηλεοπτικό κανάλι ή μια είσοδο.

GUIDE/

Εμφανίστε τον ψηφιακό οδηγό προγράμματος.

BACK/

Επιστρέψτε στην προηγούμενη οθόνη.

HOME

Εμφανίστε το Μενού Home της τηλεόρασης.

DISCOVER

Εμφανίστε τη Γραμμή περιεχομένου, για να αναζητήσετε περιεχόμενο.

(Επιλογή στοιχείου/Είσοδος)

5 +/- ('Ένταση)

Ρυθμίστε την ένταση.

(Μετάβαση)

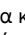
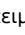
Μεταβείτε προς τα πίσω ή προς τα εμπρός μεταξύ δύο καναλιών ή εισόδων. Η τηλεόραση πραγματοποιεί εναλλαγή μεταξύ του τρέχοντος καναλιού ή της τρέχουσας εισόδου και του τελευταίου καναλιού ή της τελευταίας εισόδου που επιλέξατε.

(Σίγαση)

Πραγματοποιήστε σίγαση του ήχου. Πιέστε το ξανά για επαναφορά του ήχου.

PROG +/-//

Στη λειτουργία τηλεόρασης: Επιλέξτε το κανάλι.

Στη λειτουργία κειμένου: Επιλέξτε την επόμενη () ή την προηγούμενη () σελίδα.

6 AUDIO

Αλλάξτε τη γλώσσα για το πρόγραμμα που παρακολουθείτε τη δεδομένη στιγμή.



Χειριστείτε περιεχόμενο πολυμέσων στην τηλεόραση και τη συνδεδεμένη συσκευή που είναι συμβατή με BRAVIA Sync.

(Ρύθμιση υποτίτλων)

Ενεργοποιήστε ή απενεργοποιήστε τους υπότιτλους (όταν η δυνατότητα είναι διαθέσιμη).

HELP

Εμφανίστε το Μενού βοήθειας. Μπορείτε να αποκτήσετε πρόσβαση στον Οδηγό βοήθειας από εδώ.

● REC

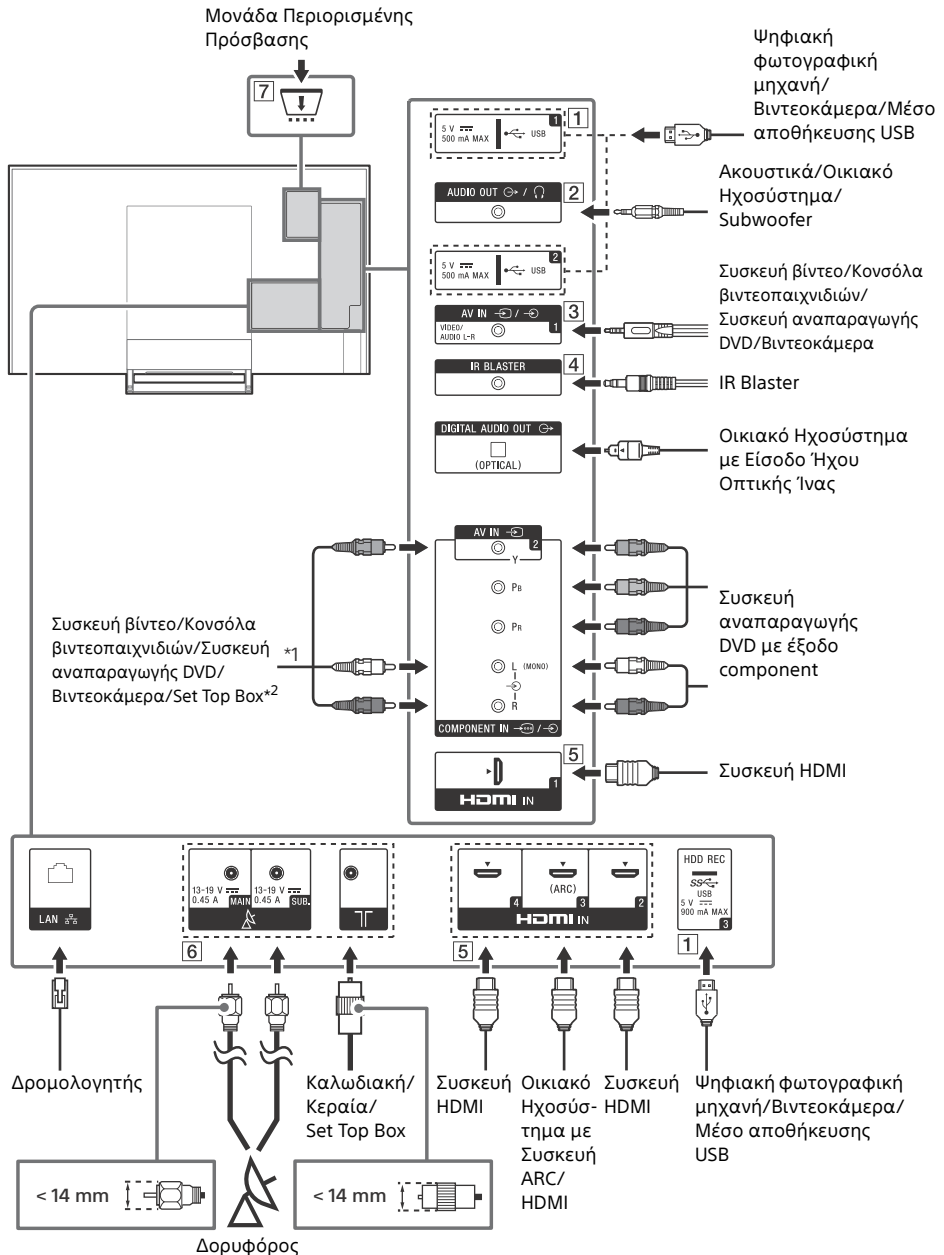
Εγγράψτε το τρέχον πρόγραμμα με τη λειτουργία εγγραφής USB HDD.

TITLE LIST

Εμφανίστε τη λίστα τίτλων.

Διάγραμμα συνδέσεων

Για περισσότερες πληροφορίες σχετικά με τις συνδέσεις, ανατρέξτε στον Οδηγό βοήθειας πιέζοντας το **HELP** στο τηλεχειριστήριο.



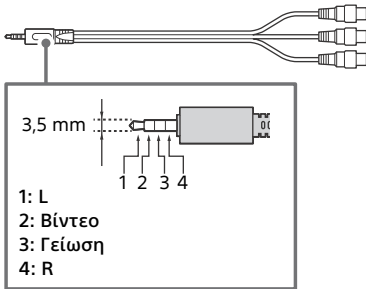
- 1** **USB 1/2, SS USB 3 (HDD REC)*³**
- Η σύνδεση μιας μεγάλης συσκευής USB μπορεί να δημιουργήσει παρεμβολές σε άλλες κοντινές συνδεδεμένες συσκευές.
 - Αν συνδέσετε μια μεγάλη συσκευή USB, συνδέστε την στην υποδοχή USB 1.

2 **AUDIO OUT**

- Υποστηρίζει μόνο μίνι στερεοφωνική τριπολική υποδοχή.
- Για να ακούσετε τον ήχο της τηλεόρασης μέσω της συνδεδεμένης συσκευής, πιέστε το κουμπί **HOME**. Επιλέξτε [Ρυθμίσεις] → [Ήχος] → [Ακουστικά/Έξοδος ήχου] και, στη συνέχεια, επιλέξτε το επιθυμητό στοιχείο.

3 **AV IN 1**

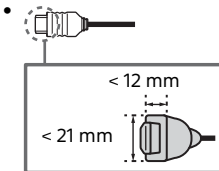
- Για σύνδεση composite, χρησιμοποιήστε ένα Καλώδιο Αναλογικής Επέκτασης (δεν παρέχεται).



4 **IR BLASTER*³**

5 **HDMI IN 1/2/3/4**

- Αν συνδέετε ένα ψηφιακό ηχοσύστημα συμβατό με την τεχνολογία Audio Return Channel (ARC), χρησιμοποιήστε την υποδοχή HDMI IN 3. Αν όχι, απαιτείται μια πρόσθετη σύνδεση μέσω της υποδοχής DIGITAL AUDIO OUT (OPTICAL).



6 **(Δορυφορική είσοδος), TΓ (Είσοδος RF)**

- Συνδέσεις για επίγεια/καλωδιακή και δορυφορική τηλεόραση. Βήματα σύνδεσης: SUB. → Κεραία → MAIN
- Για την υποδοχή SUB, συνδέστε μόνο όταν χρησιμοποιείτε τη λειτουργία διπλού δέκτη εκτός από Διανομή μέσω ενός καλωδίου EN50494.

7 **CAM (Μονάδα Περιορισμένης Πρόσβασης)**

- Παρέχει πρόσβαση σε τηλεοπτικές υπηρεσίες επί πληρωμή. Για λεπτομέρειες, ανατρέξτε στο εγχειρίδιο οδηγιών που παρέχεται με τη μονάδα CAM.
- Μην τοποθετείτε την έξυπνη κάρτα απευθείας στην υποδοχή της μονάδας CAM της τηλεόρασης. Πρέπει να την τοποθετήσετε στη Μονάδα Περιορισμένης Πρόσβασης που θα σας παρασχεθεί από το εξουσιοδοτημένο κατάστημα πώλησης.
- Η μονάδα CAM δεν υποστηρίζεται σε όλες τις χώρες/περιοχές. Συμβουλευτείτε το εξουσιοδοτημένο κατάστημα πώλησης.
- Ενδέχεται να εμφανιστεί ένα μήνυμα CAM, όταν μεταβείτε σε ένα ψηφιακό πρόγραμμα μετά από τη χρήση του βίντεο στο Internet.

*1 Όταν συνδέετε μονοφωνικό εξοπλισμό, συνδέστε τον στην υποδοχή ήχου L (MONO).

*2 Για μια εξωτερική συσκευή η οποία διαθέτει μόνο SCART AV OUT, χρησιμοποιήστε έναν προσαρμογέα SCART-RCA.

*3 Μόνο σε περιορισμένες περιοχές/χώρες/μοντέλα τηλεόρασης.

Εγκατάσταση της τηλεόρασης στον τοίχο

Χρήση της προαιρετικής Επιτοίχιας Βάσης

Το εγχειρίδιο οδηγιών αυτής της τηλεόρασης παρουσιάζει μόνο τα βήματα για την προετοιμασία της εγκατάστασης της τηλεόρασης πριν από την εγκατάσταση στον τοίχο.

Προς τους πελάτες:

Για λόγους προστασίας και ασφάλειας του προϊόντος, η Sony συνιστά ένθερμα η εγκατάσταση της τηλεόρασής σας να πραγματοποιείται από αντιπροσώπους της Sony ή εξουσιοδοτημένους τεχνικούς. Μην επιχειρήσετε να την εγκαταστήσετε μόνοι σας.

Προς τους αντιπροσώπους της Sony και τους τεχνικούς:

Δώστε μεγάλη προσοχή στην ασφάλεια κατά την εγκατάσταση, την περιοδική συντήρηση και τον έλεγχο του προϊόντος αυτού.

Το προϊόν αυτό θα πρέπει να τοποθετείται μόνο από ειδικό εγκατάστασης, ο οποίος θα είναι κατάλληλα καταρτισμένος ώστε να υπολογίσει την αντοχή του τοίχου, προκειμένου να δεχθεί το βάρος της τηλεόρασης. Αν δεν στερεωθεί κατάλληλα κατά την εγκατάσταση, η τηλεόραση μπορεί να πέσει και να προκαλέσει σοβαρό τραυματισμό. Η Sony δεν φέρει καμία ευθύνη για τυχόν υλική ζημιά ή τραυματισμό που θα προκληθεί από λάθος χειρισμό ή ακατάλληλη εγκατάσταση, ή λόγω εγκατάσταση οποιουδήποτε άλλου εκτός από το καθορισμένο προϊόν. Τα (οποιαδήποτε) συνταγματικά σας δικαιώματα δεν επηρεάζονται.

Χρησιμοποιήστε την Επιτοίχια Βάση SU-WL845 (δεν παρέχεται) (μόνο KD-75XE94xx, KD-65XE93xx), SU-WL840 (δεν παρέχεται) (μόνο KD-55XE93xx) ή SU-WL450 (δεν παρέχεται) (μόνο KD-65/55XE93xx), για να εγκαταστήσετε την τηλεόραση στον τοίχο.

Κατά την εγκατάσταση της Επιτοίχιας βάσης, συμβουλευτείτε επίσης τις Οδηγίες Χρήσης και τον Οδηγό εγκατάστασης που συνοδεύουν την Επιτοίχια βάση.

Σημείωση

- Αποθηκεύστε τις βίδες που αφαιρέσατε σε ένα ασφαλές μέρος και φυλάξτε τις μακριά από παιδιά.
- Βεβαιωθείτε ότι υπάρχει αρκετός χώρος στον τοίχο για την τηλεόραση και ότι ο τοίχος μπορεί να δεχθεί βάρος τουλάχιστον έξι φορές αυτό της τηλεόρασης.

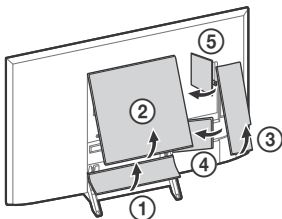


Για οδηγίες σχετικά με την εγκατάσταση της Επιτοίχιας Βάσης του μοντέλου της τηλεόρασής σας, ανατρέξτε στην παρακάτω τοποθεσία:

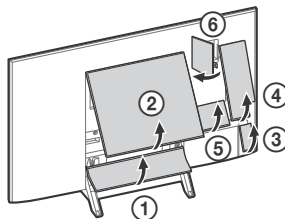
www.sony.eu/tv/wall-mount-bracket-manual

Αφαιρέστε το κάλυμμα της βάσης και τα καλύμματα ακροδεκτών.

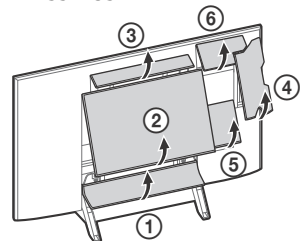
KD-75XE94xx



KD-65XE93xx



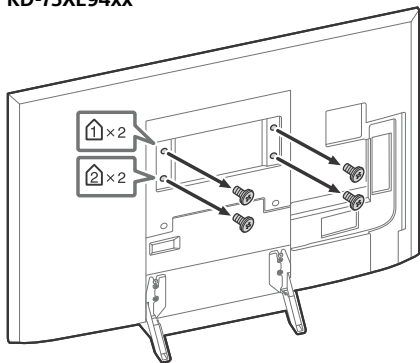
KD-55XE93xx



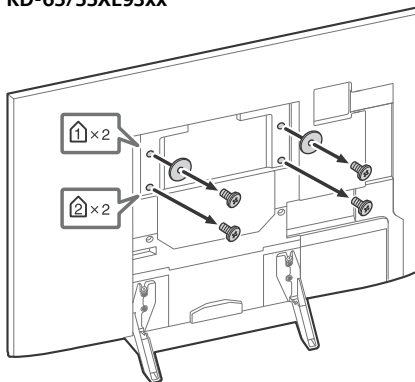
SU-WL845 (KD-75XE94xx, KD-65XE93xx), SU-WL840 (KD-55XE93xx)

Αφαιρέστε τις βίδες από το πίσω μέρος της τηλεόρασης.

KD-75XE94xx

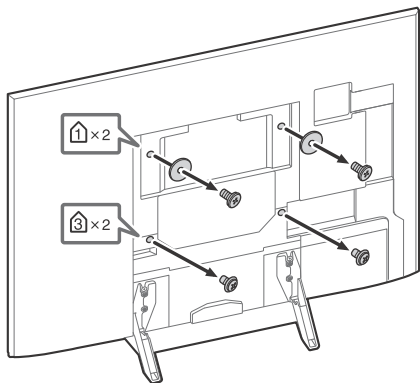


KD-65/55XE93xx

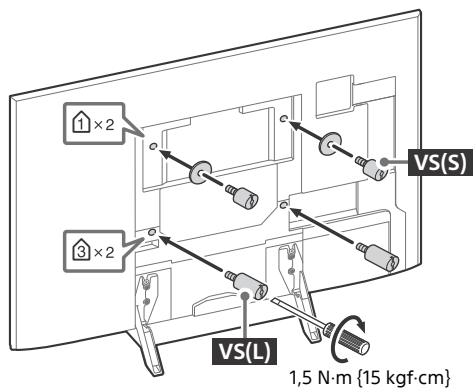


SU-WL450 (μόνο για KD-65/55XE93xx)

1 Αφαιρέστε τις βίδες από το πίσω μέρος της τηλεόρασης.



- 2 Συνδέστε το Εξάρτημα Επιτοίχιας Βάσης (παρέχεται με την τηλεόραση) στο πίσω μέρος της τηλεόρασης (για να είναι παράλληλα με τον τοίχο).



Σημείωση

- Αν χρησιμοποιείτε ηλεκτρικό καταβίδι, ρυθμίστε τη ροπή περίπου στο 1,5 N·m (15 kgf·cm).
- Φροντίστε να σφίξετε το Εξάρτημα Επιτοίχιας Βάσης κατά τη σύνδεση στην τηλεόραση. Χρησιμοποιήστε μόνο ίσιο καταβίδι για την εγκατάσταση του Εξαρτήματος Επιτοίχιας Βάσης. Η χρήση άλλου εργαλείου μπορεί να προκαλέσει υπερβολικό σφίξιμο του Εξαρτήματος Επιτοίχιας Βάσης και να προκληθεί ζημιά στην τηλεόραση.

μόνο για KD-75XE94xx, KD-55XE93xx

Η τηλεόραση μπορεί να στηριχθεί σε επιτοίχια βάση (δεν παρέχεται) μόλις τη βγάλετε από τη συσκευασία.

Προετοιμάστε την τηλεόραση για την επιτοίχια βάση πριν πραγματοποιήσετε τις συνδέσεις καλωδίων.

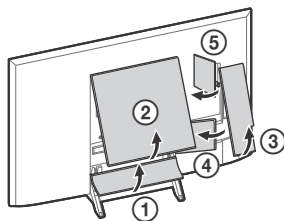
Το προϊόν αυτό θα πρέπει να τοποθετείται μόνο από ειδικό εγκατάστασης, ο οποίος θα είναι κατάλληλα καταρτισμένος ώστε να υπολογίσει την αντοχή του τοίχου, προκειμένου να δεχθεί το βάρος της τηλεόρασης. Αν δεν στερεωθεί κατάλληλα κατά την εγκατάσταση, η τηλεόραση μπορεί να πέσει και να προκαλέσει σοβαρό τραυματισμό. Η Sony δεν φέρει καμία ευθύνη για τυχόν υλική ζημιά ή τραυματισμό που θα προκληθεί από λάθος χειρισμό ή ακατάλληλη εγκατάσταση, ή λόγω εγκατάσταση οποιουδήποτε άλλου εκτός από το καθορισμένο προϊόν. Τα (οποιαδήποτε) συνταγματικά σας δικαιώματα δεν επηρεάζονται.

Για λόγους προστασίας και ασφάλειας του προϊόντος, η Sony συνιστά ένθερμα η εγκατάσταση της τηλεόρασής σας στον τοίχο να πραγματοποιηθεί από εξουσιοδοτημένους επαγγελματίες. Μην επιχειρήσετε να την εγκαταστήσετε μόνοι σας.

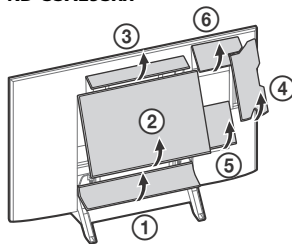
- Ακολουθήστε τις οδηγίες που παρέχονται με την Επιτοίχια βάση για το μοντέλο σας.
- Φροντίστε να φυλάξετε τις βίδες που δεν χρησιμοποιήσατε και τη βάση επιτραπέζιας τοποθέτησης σε ασφαλές μέρος έως ότου είστε έτοιμοι να συνδέσετε τη βάση επιτραπέζιας τοποθέτησης. Κρατήστε τις βίδες μακριά από μικρά παιδιά.
- Βεβαιωθείτε ότι υπάρχει αρκετός χώρος στον τοίχο για την τηλεόραση και ότι ο τοίχος μπορεί να δεχθεί βάρος τουλάχιστον έξι φορές αυτό της τηλεόρασης.

1 Αφαιρέστε το κάλυμμα της βάσης και τα καλύμματα ακροδεκτών.

KD-75XE94xx

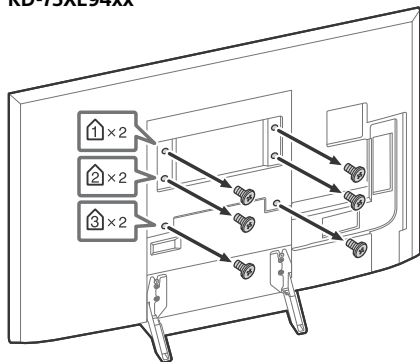


KD-55XE93xx

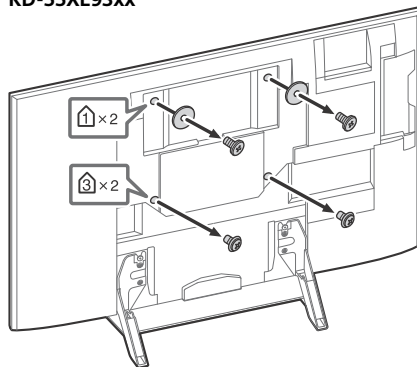


2 Αφαιρέστε τις βίδες από το πίσω μέρος της τηλεόρασης.

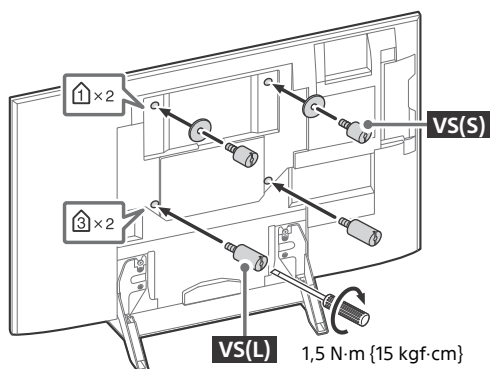
KD-75XE94xx



KD-55XE93xx

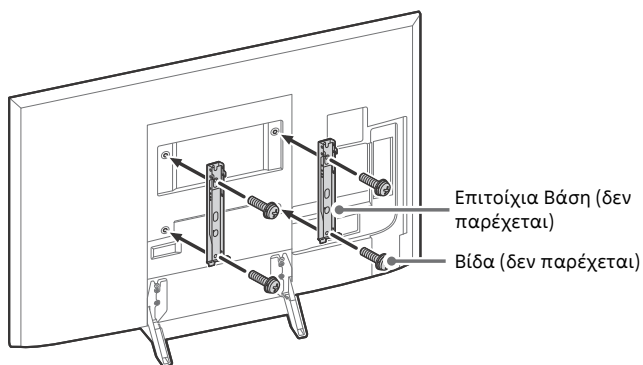


- 3** Συνδέστε το Εξάρτημα Επιτοίχιας Βάσης (παρέχεται με την τηλεόραση) στο πίσω μέρος της τηλεόρασης (για να είναι παράλληλα με τον τοίχο). (μόνο για KD-55XE93xx)

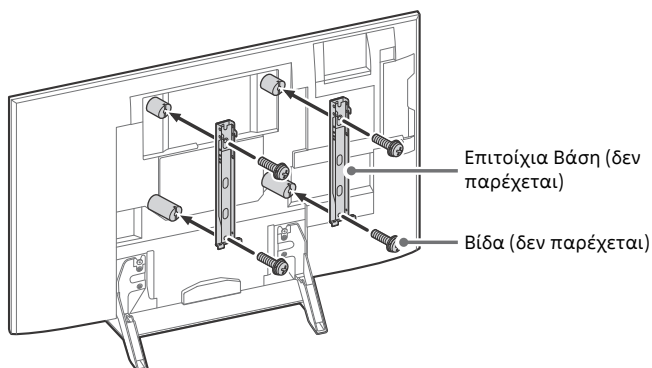


- 4** Συνδέστε την Επιτοίχια Βάση (δεν παρέχεται) χρησιμοποιώντας τις βίδες (δεν παρέχονται).

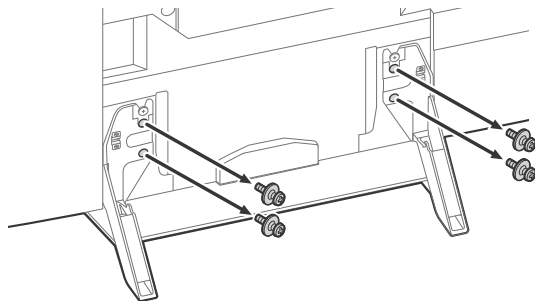
KD-75XE94xx



KD-55XE93xx



5 Αφαιρέστε τη Βάση επιτραπέζιας τοποθέτησης από την τηλεόραση.



Σημείωση

- Αν χρησιμοποιείτε ηλεκτρικό κατσαβίδι, ρυθμίστε τη ροπή περίπου στο 1,5 N·m {15 kgf·cm}.
- Φροντίστε να σφίξετε το Εξάρτημα Επιτοίχιας Βάσης κατά τη σύνδεση στην τηλεόραση. Χρησιμοποιήστε μόνο ίσιο κατσαβίδι για την εγκατάσταση του Εξαρτήματος Επιτοίχιας Βάσης. Η χρήση άλλου εργαλείου μπορεί να προκαλέσει υπερβολικό σφίξιμο του Εξαρτήματος Επιτοίχιας Βάσης και να προκληθεί ζημιά στην τηλεόραση.
- Δεν είναι δυνατή η χρήση ορισμένων βάσεων καλωδίου στο πίσω μέρος της τηλεόρασης κατά τη χρήση Επιτοίχιας Βάσης (δεν παρέχεται).

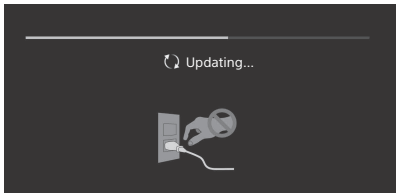
Αντιμετώπιση προβλημάτων

Για τη γενική αντιμετώπιση προβλημάτων για θέματα όπως: μαύρη οθόνη, δεν υπάρχει ήχος, παγωμένη εικόνα, η τηλεόραση δεν ανταποκρίνεται, ή δεν υπάρχει δίκτυο, ακολουθήστε τα παρακάτω βήματα.

- 1 Επανεκκινήστε την τηλεόρασή σας πιέζοντας το κουμπί λειτουργίας στο τηλεχειριστήριο μέχρι να εμφανιστεί ένα μήνυμα. Η τηλεόραση θα κάνει επανεκκίνηση. Αν δεν επανέλθει η τηλεόραση σε κανονική λειτουργία, δοκιμάστε να αποσυνδέσετε το καλώδιο ρεύματος για δύο λεπτά και, στη συνέχεια, συνδέστε το ξανά.
- 2 Ανατρέξτε στο μενού Βοήθειας πιέζοντας το **HELP** στο τηλεχειριστήριο.
- 3 Συνδέστε την τηλεόρασή σας στο Internet και εκτελέστε αναβάθμιση λογισμικού.
- 4 Επισκεφτείτε την τοποθεσία web υποστήριξης της Sony (παρέχονται πληροφορίες στο πίσω κάλυμμα).

Όταν εμφανίζεται το μήνυμα [Υπάρχει διαθέσιμη νέα ενημέρωση λογισμικού για την τηλεόραση σας...].

Η Sony συνιστά να αναβαθμίσετε το λογισμικό της τηλεόρασης επιλέγοντας [Ενημέρ. τώρα]. Αυτές οι αναβαθμίσεις λογισμικού βελτιώνουν την απόδοση της τηλεόρασής σας ή προσθέτουν νέα χαρακτηριστικά. Η ακόλουθη οθόνη με την ένδειξη [Updating...] (Ενημέρωση...) θα εμφανιστεί και η LED φωτισμού θα αναβοσβήνει με λευκό χρώμα ενώ το λογισμικό ενημερώνεται.



Μην αποσυνδέσετε το καλώδιο εναλλασσόμενου ρεύματος κατά την ενημέρωση του λογισμικού. Αν συμβεί αυτό, η ενημέρωση λογισμικού ενδέχεται να μην ολοκληρωθεί πλήρως και ενδέχεται να προκληθεί δυσλειτουργία του λογισμικού. Οι ενημερώσεις λογισμικού μπορεί να διαρκέσουν έως και 15 λεπτά.

Όταν συνδέσετε την τηλεόραση, η τηλεόραση ενδεχομένως να μην ανοίγει αμέσως, ακόμα κι αν πατήσετε το κουμπί λειτουργίας στο τηλεχειριστήριο ή στην τηλεόραση.

Χρειάζεται κάποιος χρόνος για την προετοιμασία του συστήματος. Περιμένετε ένα λεπτό περίπου και, κατόπιν θέστε τη ξανά σε λειτουργία.

Προβλήματα και λύσεις

Όταν η LED φωτισμού αναβοσβήνει με κόκκινο χρώμα.

- Μετρήστε πόσες φορές αναβοσβήνει (ο χρόνος μεταξύ κάθε διαλείμματος είναι τρία δευτερόλεπτα). Πραγματοποιήστε επανεκκίνηση της τηλεόρασης αποσυνδέοντας το καλώδιο τροφοδοσίας για δύο λεπτά και, στη συνέχεια, ενεργοποιήστε την τηλεόραση. Αν το πρόβλημα παραμένει, αποσυνδέστε το καλώδιο τροφοδοσίας και επικοινωνήστε με τον αντιπρόσωπό σας ή το κέντρο τεχνικής υποστήριξης της Sony και αναφέρετε πόσες φορές αναβοσβήνει η LED φωτισμού.

Δεν πραγματοποιείται λήψη υπηρεσιών επίγειας/καλωδιακής τηλεόρασης.

- Ελέγξτε τη σύνδεση της κεραίας/του καλωδίου και τις ρυθμίσεις του ενισχυτή.
- Επιλέξτε υπηρεσία επίγειας/καλωδιακής τηλεόρασης πιέζοντας το **DIGITAL/ANALOG** στο τηλεχειριστήριο. Αν δεν εμφανίζεται η υπηρεσία μετάδοσης, πιέστε το **TV** και κατόπιν πιέστε το **DIGITAL/ANALOG**.
- Το επίγειο σήμα ενδέχεται να παρεμβάλλεται αν υπάρχει κάποιο ισχυρό σήμα κοντά. Ορίστε την επιλογή [LNA (KAN ---)] στη θέση [Όχι] στις ρυθμίσεις ψηφιακού συντονισμού.
- Αν μετακομίσετε σε νέα οικία ή αν προσπαθείτε να κάνετε λήψη νέων υπηρεσιών, επιχειρήστε μια αναζήτηση υπηρεσιών επιλέγοντας [Ψηφιακός Συντονισμός].

Δεν πραγματοποιείται λήψη υπηρεσιών δορυφορικής τηλεόρασης.

- Ελέγξτε τη σύνδεση του δορυφορικού καλωδίου.
- Όταν εμφανίζεται το μήνυμα [Απουσία σήματος. Υπερφόρτωση του LNB...], απουσυνδέστε το καλώδιο τροφοδοσίας. Κατόπιν βεβαιωθείτε ότι το δορυφορικό καλώδιο δεν έχει υποστεί ζημιά και ότι δεν υπάρχει βραχυκύκλωμα στη γραμμή δορυφορικού σήματος στον δορυφορικό σύνδεσμο.

Το τηλεχειριστήριο δεν λειτουργεί.

- Αλλάξτε τις μπαταρίες.

Έχετε ξεχάσει τον κωδικό πρόσβασης γονικού κλειδώματος για μετάδοση.

- Πληκτρολογήστε τον αριθμό 9999 ως κωδικό PIN και επιλέξτε [Αλλαγή Κωδικού PIN].

Το περιβάλλον τμήμα της τηλεόρασης θερμαίνεται.

- Όταν η τηλεόραση χρησιμοποιείται για μεγάλο χρονικό διάστημα, το περιβάλλον τμήμα της τηλεόρασης θερμαίνεται. Μπορεί να αισθανθείτε τη θερμότητα εάν αγγίξετε τη συγκεκριμένη περιοχή με τα χέρια σας.

Τεχνικά χαρακτηριστικά

Σύστημα

Σύστημα οθόνης

Οθόνη LCD (Οθόνη υγρών κρυστάλλων),
Οπίσθιος υπαιτισμός LED

Τηλεοπτικό σύστημα μετάδοσης

Ανάλογα με την επιλογή χώρας/περιοχής/
μοντέλου τηλεόρασης
Αναλογικό: B/G, D/K, I
Ψηφιακό: DVB-T/DVB-C
DVB-T2*

Δορυφορικό*: DVB-S/DVB-S2

Σύστημα χρωμάτων

PAL, SECAM, NTSC3.58 (Μόνο εικόνα), NTSC4.43
(Μόνο εικόνα)

Κάλυψη καναλιών

Ανάλογα με την επιλογή χώρας/περιοχής/
μοντέλου τηλεόρασης
Αναλογικό: UHF/VHF/Καλωδιακή
Ψηφιακό: UHF/VHF/Καλωδιακή
Δορυφορικό*: Ενδιάμεση συχνότητα (IF) 950-
2.150 MHz

Έξοδος Ήχου

KD-75XE94xx, KD-65XE93xx: 10 W + 10 W + 10 W +
10 W + 10 W + 10 W
KD-55XE93xx: 5 W + 5 W + 10 W + 10 W + 10 W +
10 W

ΑΣύρματη τεχνολογία

Πρωτόκολλο IEEE802.11ac/a/b/g/n
(Το πρωτόκολλο IEEE802.11ac ενδέχεται να μην
είναι διαθέσιμο ανάλογα με τη χώρα/την
περιοχή.)
Bluetooth έκδοση 4.1
Ζώνη συχνότητας: WLAN 2,4 GHz/5 GHz,
Bluetooth 2,4 GHz
Πομπός ισχύος ραδιοσυχνότητας: 100 mW MEF.

Έκδοση λογισμικού τηλεόρασης:

PKG_..._...EUA

Πιέστε **HELP** στο τηλεχειριστήριο για να δείτε
την έκδοση λογισμικού.

* Δεν διαθέτουν όλες οι τηλεοράσεις τεχνολογία DVB-
T2 ή DVB-S/S2 ή ακροδέκτη δορυφορικής κεραίας.


Υποδοχές εισόδου/εξόδου

Κεραία/καλωδιακή

Εξωτερικός ακροδέκτης 75 ohm για VHF/UHF

Δορυφορική κεραία

Θηλυκό βύσμα τύπου F, 75 ohm.
DiSEqC 1.0, LNB 13 V/18 V & τόνος 22 kHz,
Μονή διαν. καλωδιακής TV EN50494.

 AV IN 1

Υποδοχή εικόνας/ήχου (μίνι υποδοχή)

COMPONENT IN

ΥΡbPr (Βίντεο Component): 1080p (50, 60 Hz), 1080i (50, 60 Hz), 720p (50, 60 Hz), 576p, 576i, 480p, 480i

Είσοδος ήχου (υποδοχές RCA)

AV IN 2

Είσοδος εικόνας (τυπικός ακροδέκτης RCA με υποδοχή Y)

HDMI IN 1, 2, 3, 4 (υποστηρίζει ανάλυση 4K, συμβατό με HDCP 2.2)

Βίντεο:

4096 × 2160p (50, 60 Hz)^{*1*2}, 4096 × 2160p (24 Hz)^{*1}, 3840 × 2160p (50, 60 Hz)^{*2}, 3840 × 2160p (24, 25, 30 Hz), 1080p (30, 50, 60 Hz), 1080/24p, 1080i (50, 60 Hz), 720p (30, 50, 60 Hz), 720/24p, 576p, 576i, 480p, 480i, Μορφές υπολογιστή

*1 Η ένδειξη 3840 × 2160p εμφανίζεται όταν εισάγεται σήμα 4096 × 2160p.

*2 μόνο για HDMI IN 2 / 3.

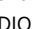
Ήχος: Γραμμικό PCM 5,1 καναλιών: 32, 44,1, 48, 88,2, 96, 176,4 και 192 kHz, 16, 20 και 24 bit, Dolby Digital, Dolby Digital Plus και DTS

ARC (Audio Return Channel) (μόνο για HDMI IN 3)

(Γραμμικό PCM δύο καναλιών: 48 kHz, 16 bit, Dolby Digital, Dolby Digital Plus, DTS)

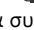
DIGITAL AUDIO OUT (OPTICAL)

Οπτική ψηφιακή υποδοχή (Γραμμικό PCM δύο καναλιών: 48 kHz, 16 bit, Dolby Digital, DTS)

AUDIO OUT  (Υποδοχή μίνι στέρεο)

Ακουστικά, Έξοδος ήχου, Subwoofer

1, 2, 3 (HDD REC)^{*1}

Θύρα συσκευής USB ( 3 για συσκευή USB HDD για τη λειτουργία ΕΓΓΡΑΦΗΣ)

Οι θύρες USB 1 και 2 υποστηρίζουν High Speed USB (USB2.0).

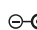
Η θύρα USB 3 υποστηρίζει Super Speed USB (USB3.0).



Υποδοχή CAM (Μονάδα Περιορισμένης Πρόσβασης)

LAN

Σύνδεσμος 10BASE-T/100BASE-TX (Η ταχύτητα σύνδεσης ενδέχεται να διαφέρει, ανάλογα με το περιβάλλον λειτουργίας του δικτύου. Η ταχύτητα και η ποιότητα επικοινωνίας μέσω 10BASE-T/100BASE-TX δεν είναι εγγυημένες για αυτή την τηλεόραση.)

 DC IN 24 V (μόνο για μοντέλα με προσαρμογέα ρεύματος που παρέχεται)

Είσοδος προσαρμογέα ρεύματος

IR BLASTER^{*1}

Είσοδος καλωδίου IR Blaster (μίνι υποδοχή)

Άλλα

Προαιρετικά εξαρτήματα

Επιτοίχια Βάση: SU-WL845 (μόνο για KD-75XE94xx, KD-65XE93xx)

Επιτοίχια Βάση: SU-WL840 (μόνο για KD-55XE93xx)

Επιτοίχια Βάση: SU-WL450 (μόνο για KD-65/55XE93xx)

Θερμοκρασία λειτουργίας

0 °C – 40 °C

Υγρασία λειτουργίας

10 % – 80 % σχετική υγρασία (χωρίς συμπύκνωση)

Ισχύς, Δελτίο Προϊόντος και άλλα

Απαιτήσεις τροφοδοσίας

εκτός από μοντέλα με προσαρμογέα ρεύματος που παρέχεται 220 V - 240 V AC, 50 Hz

μόνο για μοντέλα με προσαρμογέα ρεύματος που παρέχεται 24 V DC με προσαρμογέα ρεύματος

Ονομαστική τιμή: Είσοδος 220 V - 240 V AC, 50 Hz

Κλάση ενεργειακής απόδοσης

KD-75XE94xx: B

KD-65XE93xx: A

KD-55XE93xx: B

Μέγεθος οθόνης (διαγώνως) (Περίπου)

KD-75XE94xx: 189,3 cm / 75 ίντσες

KD-65XE93xx: 163,9 cm / 65 ίντσες

KD-55XE93xx: 138,8 cm / 55 ίντσες

Κατανάλωση ισχύος

στη λειτουργία [Κανονικό]

KD-75XE94xx: 298 W

KD-65XE93xx: 164 W

KD-55XE93xx: 137 W

στη λειτουργία [Ζωηρή]

KD-75XE9405: 495 W

KD-65XE9305: 294 W

KD-55XE9305: 227 W

Μέση ετήσια κατανάλωση ενέργειας^{*2}

KD-75XE94xx: 413 kWh

KD-65XE93xx: 227 kWh

KD-55XE93xx: 190 kWh

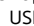
Κατανάλωση ενέργειας σε αναμονή^{*3*4}

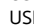
0,50 W (27 W στη λειτουργία ενημέρωσης λογισμικού/EPG)

Ανάλυση οθόνης

3.840 κουκίδες (οριζόντια) × 2.160 γραμμές (κατακόρυφη)

Ονομαστική έξοδος

USB 1/2: 5 V, , 500 mA, μέγιστη

USB 3: 5 V, , 900 mA, μέγιστη

Διαστάσεις (Περίπου) (π × υ × β)

με βάση επιτραπέζιας τοποθέτησης

KD-75XE94xx: 167,3 × 103,7 × 32,5 cm

KD-65XE93xx: 145,1 × 91,3 × 29,5 cm

KD-55XE93xx: 123,2 × 79,0 × 28,2 cm

χωρίς βάση επιτραπέζιας τοποθέτησης

KD-75XE94xx: 167,3 × 96,2 × 6,2 cm

KD-65XE93xx: 145,1 × 83,8 × 3,9 cm

KD-55XE93xx: 123,2 × 71,5 × 4,0 cm

Βάρος (Περίπου)

με βάση επιτραπέζιας τοποθέτησης

KD-75XE94xx: 47,6 kg

KD-65XE93xx: 42,4 kg

KD-55XE93xx: 32,6 kg

χωρίς βάση επιτραπέζιας τοποθέτησης

KD-75XE94xx: 42,8 kg

KD-65XE93xx: 38,2 kg

KD-55XE93xx: 28,6 kg

*1 Μόνο σε περιορισμένες περιοχές/χώρες/μοντέλα τηλεόρασης.

*2 Ετήσια κατανάλωση ενέργειας, με βάση την κατανάλωση ισχύος της τηλεόρασης σε ημερήσια 4 ωρη λειτουργία επί 365 ημέρες. Η πραγματική κατανάλωση ενέργειας εξαρτάται από τον τρόπο χρήσης της τηλεόρασης.

*3 Η συγκεκριμένη κατανάλωση ενέργειας σε αναμονή επιτυγχάνεται αφού η τηλεόραση ολοκληρώσει τις απαραίτητες εσωτερικές διαδικασίες.

*4 Η κατανάλωση ενέργειας σε κατάσταση αναμονής αυξάνεται, όταν η τηλεόραση είναι συνδεδεμένη στο δίκτυο.

Σημείωση

- Μην αφαιρέσετε το κάλυμμα από την υποδοχή CAM (Μονάδα Περιορισμένης Πρόσβασης) της τηλεόρασης εκτός εάν πρόκειται να τοποθετήσετε μια έξυπνη κάρτα που ταιριάζει στην υποδοχή CAM.
- Η διαθεσιμότητα των προαιρετικών εξαρτημάτων εξαρτάται από τη χώρα/την περιοχή/το μοντέλο της τηλεόρασης/το απόθεμα.
- Ο σχεδιασμός και οι προδιαγραφές υπόκεινται σε αλλαγή χωρίς προειδοποίηση.


Σημειώσεις για τη λειτουργία

Ψηφιακής τηλεόρασης

- Η ψηφιακή τηλεόραση (επίγεια, δορυφορική και καλωδιακή τηλεόραση DVB), οι αλληλεπιδραστικές υπηρεσίες και οι λειτουργίες δικτύου ενδέχεται να μην είναι διαθέσιμες σε όλες τις χώρες ή περιοχές. Ορισμένες λειτουργίες ενδέχεται να μην είναι ενεργοποιημένες ή να μη λειτουργούν σωστά με ορισμένους παροχείς και περιβάλλοντα δικτύου. Ορισμένοι παροχείς υπηρεσιών τηλεόρασης ενδέχεται να χρεώνουν πρόσθετη αμοιβή για τις υπηρεσίες τους.
- Η τηλεόραση αυτή υποστηρίζει ψηφιακή μετάδοση χρησιμοποιώντας κωδικοποιητές MPEG-2, H.264/MPEG-4 AVC και H.265/HEVC, αλλά η συμβατότητα με τα σήματα των παρόχων/υπηρεσιών, που μπορεί να αλλάξουν με το πέρασμα του χρόνου, δεν είναι εγγυημένη.

Πληροφορίες για το εμπορικό σήμα

- Οι ονομασίες HDMI και HDMI High-Definition Multimedia Interface και το λογότυπο HDMI είναι εμπορικά σήματα ή σήματα κατατεθέντα της HDMI Licensing LLC στις Ηνωμένες Πολιτείες και σε άλλες χώρες.
- Κατασκευάζεται κατόπιν άδειας από την Dolby Laboratories. Οι ονομασίες Dolby, Dolby Audio και το σύμβολο διπλού D είναι εμπορικά σήματα της Dolby Laboratories.
- "BRAVIA" και BRAVIA είναι εμπορικά σήματα της Sony Corporation.
- Οι ονομασίες Gracenote, Gracenote eyeQ, Gracenote VideoID, Gracenote Video Explore, το λογότυπο και η μορφή του λογότυπου Gracenote καθώς και το λογότυπο "Powered by Gracenote" είναι σήματα κατατεθέντα ή εμπορικά σήματα της Gracenote στις Ηνωμένες Πολιτείες ή/και σε άλλες χώρες.
- Opera® Devices SDK. Copyright 1995-2016 Opera TV AS. All rights reserved.
- Οι ονομασίες Wi-Fi, Wi-Fi Direct, Miracast, Wi-Fi Protected Setup και το λογότυπο Wi-Fi CERTIFIED είναι εμπορικά σήματα ή σήματα κατατεθέντα της Wi-Fi Alliance.

- Για τις ευρεσιτεχνίες DTS, ανατρέξτε στην τοποθεσία <http://patents.dts.com>. Κατασκευάζεται κατόπιν άδειας από την DTS, Inc.
Η ονομασία DTS, το σύμβολο και η ονομασία DTS σε συνδυασμό με το σύμβολο είναι σήματα κατατεθέντα και η ονομασία DTS Digital Surround είναι εμπορικό σήμα της DTS, Inc. © DTS, Inc. Με επιφύλαξη παντός δικαιώματος.
- Το λεκτικό σήμα και τα λογότυπα Bluetooth® είναι σήματα κατατεθέντα και ανήκουν στην Bluetooth SIG, Inc. και οποιαδήποτε χρήση αυτών των σημάτων από την Sony Corporation γίνεται κατόπιν παραχώρησης άδειας χρήσης. Τα άλλα εμπορικά σήματα και οι εμπορικές ονομασίες ανήκουν στους αντίστοιχους κατόχους τους.
- Η ονομασία DiSEqC™ είναι εμπορικό σήμα της EUTELSAT.
Αυτή η τηλεόραση υποστηρίζει το πρωτόκολλο DiSEqC 1.0. Αυτή η τηλεόραση δεν προορίζεται για χειρισμό μηχανοκίνητων κεραιών.
- Η ονομασία TUXERA είναι σήμα κατατεθέν της Tuxera Inc. στις Η.Π.Α και σε άλλες χώρες.
- Το λογότυπο USB με την τρίαινα "USB-IF SuperSpeed" είναι εμπορικό σήμα κατατεθέν της USB Implementers Forum, Inc. 

İçindekiler

ÖNEMLİ NOT	2
Güvenlik Bilgileri	3
Uyarılar	6
Parçalar ve Kumandalar	8
Kumandalar ve Işıklar	8
Uzaktan kumandayı kullanma	9
Uzaktan Kumanda Bölümlerinin Tanımı	9
Bağlantı Şeması	11
Televizyonu duvara monte etme	13
Opsiyonel Duvara Montaj Mesnetini kullanma	13
SU-WL845 (KD-75XE94xx, KD-65XE93xx), SU-WL840 (KD-55XE93xx)	14
SU-WL450 (Yalnızca KD-65/55XE93xx)	14
Yalnızca KD-75XE94xx, KD-55XE93xx	16
Sorun Giderme	19
Sorunlar ve Çözümleri	19
Spesifikasyonlar	20

İnternet Bağlantısı ve Veri Gizliliği

Bu ürün, ilk kurulum esnasında internet bağlantısını onaylamak ve daha sonra Ana ekranı yapılandırmak için bir ağ bağlantısı kurulumu kurulmaz internete bağlanır. IP adresiniz, bunlarda ve bütün diğer internet bağlantılarında kullanılır. IP adresinizin hiç kullanılmamasını istemiyorsanız, kablosuz internet fonksiyonunu kurmayın ve bir internet kablosu bağlamayın. İnternet bağlantıları hakkında daha fazla bilgi için lütfen kurulum ekranlarında verilen gizlilik bilgilerine bakın.

Giriş

Bu Sony ürününü seçtiğiniz için teşekkür ederiz. Televizyonu çalıştırmadan önce, lütfen bu kullanım talimatı kitapçığını iyice okuyunuz ve de ileride kullanmak üzere saklayınız.

Not

- Televizyonu çalıştırmadan önce lütfen okuyun: "Güvenlik Bilgileri" (sayfa 3).
- Kurulum Kılavuzu'nda ve kılavuzda kullanılan resimler ve çizimler yalnızca başvuru amaçlıdır ve gerçek üründen farklı olabilir.
- Model adındaki "xx", tasarım, renk veya televizyon sistemi farkı ile ilgili bir rakama karşılık gelmektedir.

Kurulum Kılavuzunun Yeri

Kurulum Kılavuzu televizyon kartonunun içindeki yastığın üzerindedir.

Yardım/Yardım Kılavuzu

Yardım özelliği, televizyonunuzla ilgili birçok bilgi sunar. Yardım özelliğini kullanmak için uzaktan kumandadaki **HELP** tuşuna basın. Nasıl yapılır ve sorun giderme öğelerini listeden seçebilir veya kelime aratarak bulabilirsiniz. Kılavuzu görüntülemek için, Yardım Menüsündeki [Yardım Kılavuzu] öğesini seçin. Televizyonunuzu internete bağladığınızda, Yardım özelliği ve bilgileri güncellenir.

Tanım etiketinin konumu

Televizyon Model No, Üretim Tarihi (yıl/ay) ve Güç Beslemesi nominal değerleri için etiketler televizyonun veya ambalajın arkasında bulunur. Bunlara stand kapağının ve merkezi kapağın çıkarılmasıyla erişilebilir.

AC adaptörüyle verilen modellerde:

AC adaptörü Model Nop. ve Seri No. için etiketler AC adaptörünün altındadır.

UYARI

**YANGIN ÇIKMASINI
ÖNLEMEK İÇİN, MUM
VE BAŞKA AÇIK ALEV
KAYNAKLARINI BU ÜRÜNDEN
HER ZAMAN UZAKTA TUTUN.**



ÖNEMLİ NOT

Bu ürün, 1-7-1 Konan Minato-ku Tokyo, 108-0075 Japonya adresinde bulunan Sony Corporation tarafından veya onun adına üretilmiştir. Avrupa Birliği mevzuatına dayanan ürün uyumluluğu ile ilgili sorgulamalar, Sony Belgium, bijkantor van Sony Europe Limited, Da Vincilaan 7-D1, 1935 Zaventem, Belçika adresindeki yetkili temsilciye yönlendirilecektir. Servis veya garanti ile ilgili konular için lütfen servis ve garanti belgelerinde belirtilen adreslere başvurun.

Radio Ekipmanı Beyanı

Sony Corporation işbu belgeyle
KD-75XE9405, KD-65XE9305,
KD-55XE9305 radyo ekipmanlarının
1999/5/EC Direktifinin temel gereksinimleri ve diğer ilgili
hükümleriyle uyumlu olduğunu beyan etmektedir. Daha detaylı
bilgi için lütfen web sayfasını ziyaret ediniz:
URL: <http://www.compliance.sony.de/>

Bu radyo ekipmanı, radyo spektrumu kullanımına ilişkin geçerli
gereklilikleri ihlal etmeden AB içerisinde çalıştırılabilir.

Müşteriler için not: Aşağıdaki bilgiler sadece AB yönetmeliklerini
uygulayan ülkelere satılan cihazlar için geçerlidir.

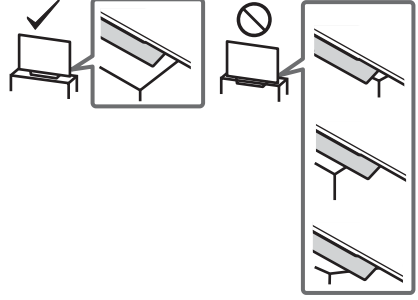
Televizyon kablosuz sistemi sadece aşağıdaki ülkelerde
kullanılabilir:

AT, BE, HR, CY, CZ, DK, EE, FI, FR, DE, EL, HU, IE, IT, LV, LT, LU, MT,
NL, PL, PT, SK, SI, ES, SE, UK, IS, LI, NO, CH, BG, RO, TR, AL, BA, MK,
MD, RS, ME, Kosova

Bu cihaz Avrupa harici ülkelere çalıştırılabilir.



- Televizyonu televizyonun Masa Üstü Sehpası televizyon sehpasından (birlikte verilmez) dışarı çıkmayacak şekilde kurun. Masa Üstü Sehpası televizyon sehpasından dışarı çıkarsa, televizyon setinin devrilmesine, düşmesine ve ciddi yaralanmalara veya televizyonun hasar görmesine neden olabilir.



Güvenlik Bilgileri

UYARI

Piller güneş ışığı, ateş ve benzeri aşırı ısı kaynaklarına maruz bırakılmamalıdır.

Televizyon setini asla dengesiz yerlere yerleştirmeyin. Televizyon seti düşerek yaralanmaya veya ölüme neden olabilir. Aşağıdaki gibi basit önlemler alınarak özellikle çocukların görebileceği çok sayıda yaralanma önlenebilir.

- Televizyon setinin üreticisi tarafından önerilen dolap veya sehpaları kullanın.
 - Yalnızca televizyon setini güvenli bir şekilde destekleyebilen mobilyaları kullanın.
 - Televizyon setinin destekleyen mobilyanın kenarında çıkıntı oluşturmadığından emin olun.
 - Televizyon seti yüksek mobilya üzerine (örn. büfe veya kitaplık) mobilya ve televizyon setinin her ikisini de uygun bir desteğe sabitlemeden yerleştirmeyin.
 - Televizyon setini, televizyon seti ile destekleyen mobilya arasına konulabilecek örtü veya diğer malzemeler üzerine yerleştirmeyin.
 - Televizyon seti düğmelerine erişmek için mobilyanın üzerine çıkma gibi tehlikeler konusunda çocukları uyarın.
- Mevcut televizyon seti yerinde tutulacak veya yeniden yerleştirilecek olursa, yukarıdaki uyarılar tekrar dikkate alınmalıdır.

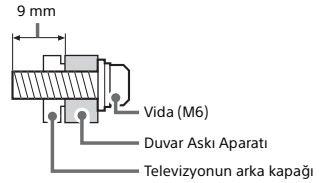
Montaj/Kurulum

Herhangi bir yangın, elektrik çarpması veya hasar ve/veya yaralanma riskini önlemek amacıyla televizyon setini aşağıdaki talimatlara uygun olarak monte edin ve kullanınız.

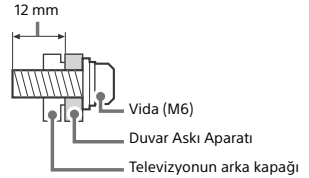
Montaj

- Televizyon seti, erişimi kolay bir prizinin yakınına monte edilmelidir.
- Televizyonun düşüp yaralanma veya maddi hasara yol açmasını önlemek için televizyonu sabit, düz bir yüzeye yerleştirin.
- Televizyonu çekilemeyeceği, itilemeyeceği veya devrilemeyeceği bir yere kurun.

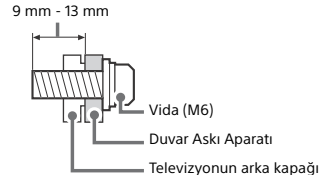
- Duvara monte etme işlemlerini sadece kalifiye servis personeli gerçekleştirmelidir.
- Emniyet nedenlerinden ötürü, Sony aksesuarlarını kullanmanızı önemle tavsiye ederiz, buna aşağıdaki bileşen de dahildir:
 - SU-WL845 Duvar Askı Aparatı (Yalnızca KD-75XE94xx, KD-65XE93xx)
 - SU-WL840 Duvar Askı Aparatı (Yalnızca KD-55XE93xx)
 - SU-WL450 Duvar Askı Aparatı (Yalnızca KD-65/55XE93xx)
- Duvar Askı Aparatını televizyona takarken, Duvar Askı Aparatı ile verilen vidaları kullandığınızdan emin olun. Ürünle verilen vidalar, şekilde gösterildiği gibi Duvar Askı Aparatının bağlantı yüzeyinden itibaren ölçülerek tasarlanmıştır. Vidaların çapı ve uzunluğu, duvara-montaj braketinin modeline bağlı olarak değişiklik gösterir. Temin edilmiş vidaların haricinde başka vidaların kullanılması, TV setinin iç kısmının zarar görmesine veya düşmesine vs. neden olabilir.
- Opsiyonel Duvar Askı Aparatı (Yalnızca SU-WL845, SU-WL840) Üst taraf



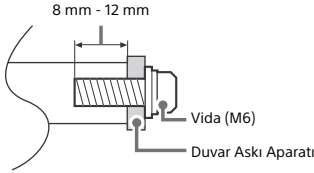
Alt taraf



- Opsiyonel Duvar Askı Aparatı (SU-WL845, SU-WL840 hariç) KD-75XE94xx

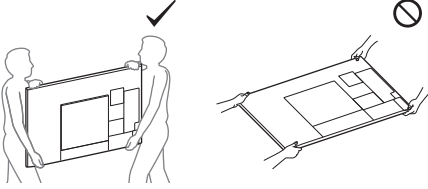


KD-65/55XE93xx

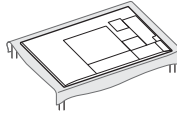


Nakliye

- Televizyon setini taşımadan önce, tüm kablolarını sökünüz.
- Büyük bir televizyon setini taşımak için iki veya üç kişi gerekir.
- Televizyon elle taşınırken aşağıda gösterildiği şekilde tutun. LCD panele ve ekranın etrafındaki muhafaza kasasına baskı uygulamayınız.

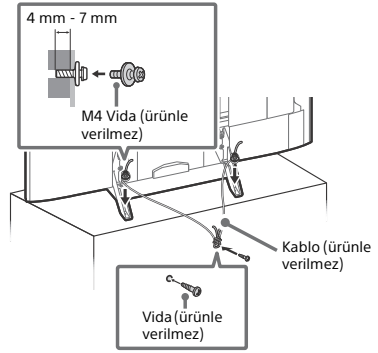
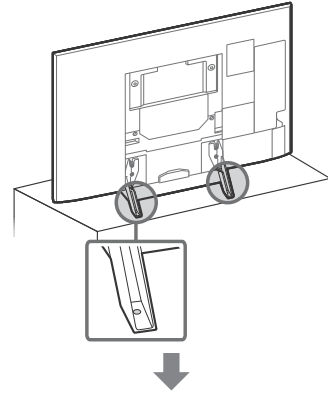


- Televizyon setini taşırken veya monte ederken, yere koymayın.



- Televizyon setini taşırken, sarsıntılara ve aşırı titreşimlere maruz bırakmayınız.
- Televizyon setini tamir için taşırken veya yerini değiştirirken, orijinal karton ve ambalaj malzemelerini kullanarak paketleyiniz.

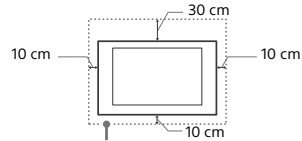
Devrilmenin önlenmesi



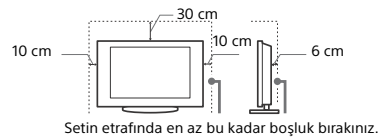
Havalandırma

- Asla havalandırma deliklerini kapatmayınız veya kabinin içine herhangi bir şey sokmayınız.
- Televizyon setinin etrafında, aşağıda gösterildiği gibi boş alan bırakınız.
- Yeterli hava sirkülasyonu sağlamak için mutlaka bir Sony Duvar Askı Aparatı kullanmanızı öneririz.

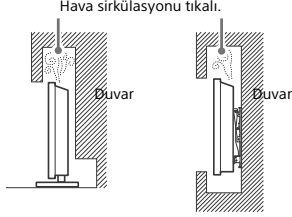
Duvara monte edildiğinde



Stand ile monte edildiğinde



- Uygun bir havalandırma sağlamak ve kir ve tozların birikmesini önlemek için:
 - Televizyon setini düz, baş aşağı, arkaya doğru veya yana dönük şekilde monte etmeyiniz.
 - Televizyon setini bir raf, halı, yatak üzerine veya bir dolaba monte etmeyiniz.
 - Televizyon setini perde veya gazete gibi şeylerle örtmeyiniz.
 - Televizyon setini aşağıda gösterildiği gibi monte etmeyiniz.



Ana elektrik kablosu

Herhangi bir yangın, elektrik çarpması veya hasar ve/veya yaralanma riskini önlemek amacıyla, elektrik kablosu ve fişi ile ilgili olarak aşağıdaki hususlara riayet ediniz:

- Sadece Sony tarafından temin edilen elektrik kablolarını kullanınız, farklı tedarikçilerden temin edileneri kullanmayınız.
- Fişi elektrik prizine tam olarak sokunuz.
- Televizyon setini sadece bir 220 V - 240 V AC elektrik kaynağı ile çalıştırınız.
- Kablo bağlantılarını yaparken, güvenliğini için elektrik fişini çekmeyi unutmayınız ve ayaklarınızın kablolarla dolaşmamasına dikkat ediniz.
- Televizyon seti ile ilgili bir iş yapmadan veya taşımadan önce, elektrik fişini prizden çekiniz.
- Ana elektrik kablosunu ısı kaynaklarından uzak tutunuz.
- Elektrik fişini prizden çekiniz ve fişi düzenli olarak temizleyiniz. Eğer fiş tozla kaplanırsa ve nemlenirse, yalıtımı bozularak bir yangına neden olabilir.

Not

- Ürünle birlikte verilen ana elektrik kablosunu başka bir cihazda kullanmayınız.
- Ana elektrik kablosunu aşırı derecede sıkıştırmayınız, bükmeyiniz veya kıvrımayınız. İçindeki iletkenler açığa çıkabilir veya kırılabilir.
- Ana elektrik kablosunda bir değişiklik yapmayınız.
- Ana elektrik kablosunun üzerine ağır bir şey koymayınız.
- Elektrik fişini prizden çekerken kablosundan tutarak çekmeyiniz.
- Birden fazla cihazı aynı prize takmayınız.
- Gevşek durumdaki elektrik prizlerini kullanmayınız.

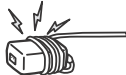
GÜÇ ADAPTÖRÜYLE İLGİLİ NOTLAR (yalnızca AC adaptörüyle verilen modeller)

Uyarı

Elektrik çarpması riskini azaltmak için bu cihazı yağmura veya neme maruz bırakmayınız.

Yangın veya elektrik çarpması tehlikesini önlemek için, cihazın üzerine vazo gibi için sıvı dolu nesnelere koymayınız. Bu cihazı kitaplık rafı ve benzeri bir ünite gibi bir kapalı alana monte etmeyiniz.

- Lütfen güç prizinin cihazın yakınına bulunduğundan ve erişiminin kolay olduğundan emin olun.
- Birlikte verilen güç adaptörünü ve güç kablosunu kullandığınızdan emin olun.
- Başka bir güç adaptörü kullanmayınız. Bu, arızaya yol açabilir.
- Güç adaptörünü kolay erişilebilir bir güç prizine bağlayınız.
- Güç kablosunu güç adaptörünün etrafına sarmayınız. Kabloların içindeki teller kopabilir ve/veya medya alıcısının arızalanmasına sebep olabilir.



- Güç adaptörüne ıslak elle dokunmayınız.
- Güç adaptöründe bir anormallik fark ederseniz, adaptörü derhal güç prizinden ayırınız.
- Cihaz kapatılmış olsa bile, güç prizine bağlı kaldığı sürece cihazın güç kaynağıyla bağlantısı kesilmez.
- Uzun süre kullanıldığında ısındığı için güç adaptörü elle tutulduğunda sıcaklık hissedilebilir.

Yasaklanmış Kullanım

Televizyon setini, aşağıda belirtilenler gibi yerlerde, ortamlarda veya durumlarda kullanmayınız/monte etmeyiniz, aksi halde televizyon seti arıza yapabilir ve yangına, elektrik çarpmasına, hasara ve/veya yaralanmaya neden olabilir.

Yer:

- Dış mekanlara (direk güneş ışığı altına), deniz kıyısına, bir gemiye veya başka bir tekneye, bir aracın içine, medikal kurumlara, dengesiz yerlere, suyun, yağmurun, nemin veya dumanın olduğu yerlerin yakınına.

Ortam:

- Sıcak, nemli veya aşırı tozlu yerler; böceklerin girebileceği yerler; mekanik titreşime maruz kalabilecek yerler, yanıcı maddelerin yanı (mumlar, v.s.). Televizyon setine su damlaları veya su sıçramaları gelmemelidir ve vazo gibi içi sıvı dolu eşyalar televizyonun üzerine konulmamalıdır.

Durum:

- Elleriniz ıslakken, cihazın kasası açıkken veya üretici tarafından önerilmeyen aksesuarlar kullanıldığında cihazın kullanımı. Yıldırımli havalarda televizyon setinin elektrik ve anten bağlantısını çekiniz.
- Televizyonun açık bir alana taşacak biçimde monte edilmesi. Televizyona çarparak yaralanma veya maddi hasar oluşabilir.



- Televizyonun nemli veya tozlu bir yere veya yağlı dumanın veya buharın bulunduğu bir odaya (yemek pişirme tezgahı veya nemlendirme cihazların yakınına) yerleştirilmesi. Aksi takdirde yangın, elektrik çarpması veya deforme olma riski oluşur.
- Televizyonun doğrudan güneş ışığı, bir radyatörün yakını veya bir ısıtma kanalı gibi, aşırı sıcaklıklara maruz kalacağı yerlere monte edilmesi. Televizyon, kasaının deforme olmasına ve/veya televizyonunu arızalanmasına sebep olacak kadar aşırı ısınabilir.



- Televizyon bir halka açık hamamın veya kaplıcanın soyunma odasına yerleştirilirse, havadaki sülfür vb. sebebiyle televizyon zarar görebilir.



- En iyi resim kalitesi için, ekranı aydınlatmalara veya güneş ışığına doğrudan maruz bırakmayınız.
- Televizyonu soğuk bir yerden sıcak bir yere taşımaktan kaçınınız. Ani oda sıcaklığı değişimleri nem yoğunlaşmasına yol açabilir. Bu, televizyonun görüntüleri ve/veya renkleri kötü görüntülmesine yol açabilir. Böyle durumlarda televizyonu açmadan önce nemin tamamen buharlaşmasını bekleyiniz.

Kırık parçalar:

- Televizyon setine herhangi bir şey fırlatmayınız. Ekran camı çarpma etkisi ile kırılabilir ve ciddi yaralanmalara neden olabilir.
- Eğer televizyon setinin yüzeyinde çatlama olursa, elektrik kablosunu prizden çekinceye kadar dokunmayınız. Diğer durumlarda ise elektrik çarpmasına neden olabilir.

Kullanılmadığında

- Eğer televizyon setini uzunca bir süre kullanmayacaksanız, çevresel ve emniyet nedenlerinden ötürü televizyon setinin fişi prizden çekilmelidir.
- Televizyon setini sadece kapatmış olduğunuzda elektrik beslemesi kesilmiş olmayacağından, televizyon setinin elektrikliğini tamamen kesmek için fişini prizden çekiniz.
- Bazı televizyon setleri, düzgün çalışabilmesi için bekleme durumunda bırakılmasını gerektiren özelliklere sahip olabilir.

Çocuklar için

- Çocukların televizyon setine tırmanmalarına izin vermeminiz.
- Küçük aksesuarları, çocukların yanlışlıkla yutmaması için, çocukların ulaşamayacağı yerlere kaldırınız.

Aşağıdaki problemler ortaya çıkarsa...

Aşağıdaki problemlerden birinin olması durumunda, televizyon setini **kapatınız** ve fişini prizden çekiniz.

Satıcınızdan veya Sony yetkili servisinden, kalifiye servis personelinizle kontrol edilmesini talep ediniz.

Eğer:

- Elektrik kablosu hasarlıysa.
- Elektrik prizi gevşek durumdaysa.
- Düşmeden, darbelerden veya bir şeyin çarpmasından ötürü televizyon seti hasar görmüşse.
- Herhangi bir sıvı veya katı cisim kasadaki menfezlerden içeri düşerse.

LCD TV Sıcaklığı Hakkında

LCD TV uzun süre kullanıldığında panelin çevresi ısınır. Ellediğinizde sıcaklığı hissedebilirsiniz.

Uyarılar

Televizyonu seyretme

- Televizyonun zayıf ışık altında veya uzunca bir süre seyredilmesi gözlerinizi yoracağından, televizyonu orta dereceli bir ışık altında seyrediniz.
- Kulaklık kullanırken, işitme hasarına neden olabileceğinden sesi aşırı seviyelere olmayacak şekilde ayarlayınız.

LCD Ekran

- LCD ekran yüksek duyarlılık teknolojisiyle yapılmış ve piksellerin % 99.99'u veya daha fazlası etkin olmasına rağmen, LCD ekranda devamlı olarak siyah noktalar veya parlak ışık noktaları (kırmızı, mavi, veya yeşil) görülebilir. Bu, LCD ekranın yapısal bir özelliği olup bir arıza değildir.
- Ön filtreye bastırmayınız veya çizmeyiniz ya da televizyon setinin üzerine eşyalar koymayınız. Görüntü düzgün gözükmez veya LCD ekran hasar görebilir.
- Bu televizyon seti soğuk bir yerde kullanılıyorsa, görüntüde bir lekelenme oluşabilir veya görüntü koyulaşabilir. Bu bir arıza belirtisi değildir. Bu olay, sıcaklığın yükselmesiyle birlikte ortadan kalkar.
- Hareketsiz görüntüler devamlı görüntülendiğinde gölgeler oluşabilir. Birkaç dakika sonra yok olabilir.
- Televizyon seti kullanılmadıkça ekran ve kasa ısınabilir. Bu, bir fonksiyon bozukluğu değildir.
- LCD ekran, az miktarda bir sıvı kristal içermektedir. İmha ile ilgili olarak yerel kanun ve tüzüklere riayet ediniz.

Ekran yüzeyi veya televizyon kasasının kullanımını ve temizliği

Temizlik işlemlerinden önce, televizyon setine bağlı olan elektrik kablosunun fişini prizden çekiniz.

Malzeme aşınmasını veya ekran kaplamasının aşınmasını önlemek için aşağıdaki önerilere riayet ediniz.

• Ekranın/kasasının tozunu almak için, yumuşak bir bez ile nazikçe siliniz. Eğer toz çıkmıyorsa, çok seyreltilmiş bir deterjan solüsyonu ile hafifçe nemlendirilmiş yumuşak bir bezle siliniz.

- Keskinlik TV'ye doğrudan su ve deterjan püskürtmeyin. Ekranın altına veya dış parçalarına çözümler ve TV'nin içine girebilir, bu TV'de olası hasara neden olabilir.



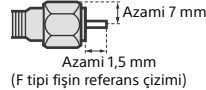
- Aşındırıcı bir bez, alkali/asitli bir temizleyici, aşındırıcı temizlik tozu veya alkol, benzin, tiner veya böcek ilacı gibi uçucu çözümleri kullanmayınız. Bu tür materyallerin kullanılması kaucuğa ya da vinil malzemelere uzun süreli temas etmesi ekran yüzeyine veya kasa malzemesine zarar verebilir.
- Ellerinizde el veya güneş kremi gibi her hangi bir kimyasal varsa Televizyona dokunmayın.
- Uygun bir havalandırma sağlamak için havalandırma deliklerine periyodik olarak vakum uygulanması önerilmektedir.
- Televizyon setinin açısını ayarlarken, televizyon setinin yerinden oynamasını veya tablasından kayıp düşmesini önlemek için yavaşça hareket ettiriniz.

Opsiyonel Ekipmanlar

- Elektromanyetik radyasyon yayan opsiyonel bileşenleri veya herhangi bir ekipmanı televizyon setinden uzak tutunuz. Aksi halde görüntü bozulması ve/veya sese parazitlenme olabilir.
- Bu ekipman test edilmiştir ve 3 metreden kısa bir bağlantı sinyali kablosu kullanıldığında EMC Yönetmeliğinin belirlediği sınırlarla uyumlu olduğu görülmüştür.
- Bu ekipman test edilmiştir ve karasal/uydu/CATV terminali için 30 metreden kısa bir RF kablosu kullanıldığında EMC Yönetmeliğinin belirlediği sınırlarla uyumlu olduğu görülmüştür.

F tipi fiş önerisi

İç tel, bağlantı parçasından azami 1,5 mm dışarı çıkmalıdır.



(F tipi fişin referans çizimi)

Ünitenin Kablosuz Fonksiyonu

- Bu ekipmanın tıp cihazlarının (kalp pili vs.) yakınında çalıştırılması tıp cihazlarının arızalanmasına neden olabilir.
- Bu birim şifreli sinyaller gönderip/alma birliğinde, dışarıdan izinsiz müdahalelere karşı dikkatli olun.
- Bu konuyla ilgili karşılaşılabilecek sorunlarda şirketimiz sorumluluk kabul etmemektedir.
- Bu ekipman, bu cihazın anteni ile bir kişinin vücudu arasında 20 cm veya daha fazla bir mesafe bırakacak şekilde kurulmalı ve çalıştırılmalıdır.

Uzaktan kumandayı kullanımla ilgili not

- Pilleri takarken kutupları doğru yerleştirdiğinizden emin olunuz.
- Farklı tipte pilleri bir arada veya eski ve yeni pilleri karıştırarak kullanmayınız.
- Pilleri, çevreye saygılı bir şekilde imha ediniz. Belirli bölgelerde pillerin imhasıyla ilgili düzenlemeler olabilir. Lütfen yerel makamlarınıza danışınız.
- Uzaktan kumandayı dikkatli kullanınız. Düşürmeyiniz veya üzerine basmayınız ya da üzerine herhangi bir sıvı dökmeyiniz.
- Uzaktan kumandayı bir ısı kaynağı yakınına veya direk güneş ışığı alan bir yere ya da nemli bir odaya koymayınız.

Televizyon setinin imhası



Eski Elektrikli ve Elektronik Cihazların İmhası (Avrupa Birliği ve diğer Avrupa ülkelerinde ayrı toplama sistemleriyle uygulanmaktadır)

Ürünün veya ambalajı üzerindeki bu sembol, bu ürünün bir ev atığı gibi muamele görmemesi gerektiğini belirtir. Bunun yerine, elektrikli ve elektronik cihazların geri dönüşümü için uygun

toplama noktasına teslim edilmelidir. Bu ürünün doğru bir şekilde elden çıkarılmasını sağlayarak, uygunsuz bir elden çıkarma durumunda çevre ve insan sağlığı açısından doğacak potansiyel olumsuz sonuçların önlenmesine yardımcı olmuş olacaksınız. Materyallerin geri dönüştürülmesi doğal kaynakların korunmasına yardımcı olacaktır. Bu ürünün geri dönüşümü hakkında daha detaylı bilgi için lütfen ilgili belediye birimi veya ürünü satın aldığınız satıcı ile temasa geçiniz.



Atık pillerin bertaraf edilmesi (Avrupa Birliği'nde ve ayrı toplama sistemleri bulunan diğer Avrupa ülkelerinde uygulanan)

Pil veya ambalajın üzerindeki bu sembol, bu ürünle birlikte teslim edilen pilin evsel atık

olarak değerlendirilmemesi gerektiğini belirtmektedir. Bazı piller için bu sembol, kimyasal bir sembolle birleştirilerek kullanılmış olabilir. Eğer piller % 0,0005 cıva veya % 0,004 kurşun'dan fazla içerikteyse, o zaman bu kimyasal semboller cıva (Hg) veya kurşun (Pb) için eklenir. Bu pillerin doğru şekilde bertaraf edilmesini sağlamakla, pillerin uygunsuz şekilde bertaraf edilmesinin neticesinde çevre ve insan sağlığında meydana gelebilecek olan potansiyel zararların engellenmesine de katkıda bulunmuş olacaksınız. Materyallerin geri dönüştürülmesi doğal kaynakların korunmasına yardımcı olacaktır. Ürünlerin güvenlik, performans veya veri entegrasyon gibi sebeplerden dolayı beraberlerindeki pille sürekli bir bağlantı gerektirdikleri durumlarda pilin yalnızca kalifiye servis personeli tarafından değiştirilmesi zorunludur. Pilin uygun bir şekilde değerlendirilmesini sağlamak amacıyla ürünü, kullanım süresinin sonunda elektrikli ve elektronik ekipmanların geri dönüştürülmesine ilişkin yürürlükte olan toplama noktasına teslim ediniz. Diğer tüm piller için lütfen pillerin üründen güvenli bir şekilde çıkarılmasına ilişkin bölümü inceleyiniz. Pili, atık pillerin geri dönüştürülmesine yönelik yürürlükteki toplama noktasına teslim ediniz. Bu ürünün veya pilin geri dönüştürülmesine ilişkin daha ayrıntılı bilgi için lütfen yerel Yetkili Dairenizle, evsel atık bertaraf servisinizle veya ürünü satın aldığınız mağazayla irtibat kurunuz.

Üretici Firma: Sony Corporation
Adres: 1-7-1 Konan Minato-ku Tokyo,
108-0075 Japan
Telefon: (+81 3) 6748 2111

Türkiye İrtibat Numaraları:
Tel: 0216-633-98-00
Faks: 0216-632-70-30
e-mail: bilgi@eu.sony.com

AECE Yönetmeliğine Uygundur
PCB içermez

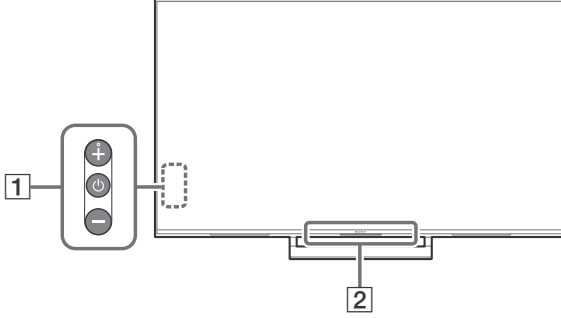
SONY®

İthalatçı Firma: Sony Eurasia Pazarlama A.Ş.

Adres: Saray Mah. Ahmet
Tevfik İleri Cad. Onur Ofis Park
Plaza No:10 Umraniye 34768
İstanbul Türkiye
Telefon: (+90 216) 633 98 00

Parçalar ve Kumandalar

Kumandalar ve Işıklar



1 ⏻ (Güç) /+/-

Televizyon kapalıyken,

Açmak için ⏻ tuşuna basın.

Televizyon açıkken,

Kapatmak için ⏻ tuşunu basılı tutun.

Fonksiyonu değiştirmek için ⏻ ögesine sürekli basın, daha sonra + veya - düğmesine basın:

- Sesi ayarlama.
- Kanal seçme.
- Televizyonun giriş kaynağını seçme.

2 Uzaktan kumanda sensörü* / Işık sensörü* / Aydınlatma LED'i

Aydınlatma LED'i, televizyonun durumuna göre yanıp söner.

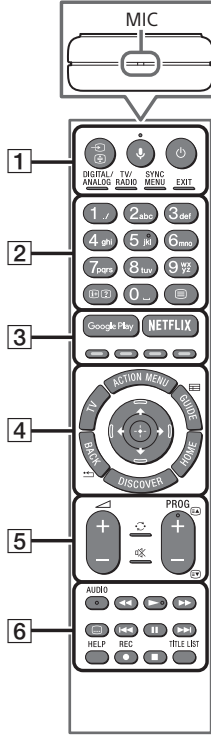
Daha fazla bilgi için, Yardım Kılavuzuna başvurun.

* Sensörün yakınına herhangi bir şey koymayın.

Uzaktan Kumandayı Kullanma

Uzaktan Kumanda Bölümlerinin Tanımı

Uzaktan kumandanın şekli, yeri, bulunabilirliği ve uzaktan kumanda düğmesinin çalışma şekli bölgeye/ülkeye/televizyon modeline göre değişir.



1 (Giriş seçimi/Teletexti dondurma)

Televizyon modundayken: Giriş kaynağını görüntüleyin ve seçin.
Teletext modundayken: O anki sayfayı dondurur.

(Mikrofon)

Ses işlevini kullanın. (örn. çeşitli içerikleri sesle arama.)

(Televizyon beklemede)

Televizyonu açar veya kapatır (bekleme modu).

DIGITAL/ANALOG

Dijital ile analog mod arasında geçiş yapar.

TV/RADIO

TV veya RADIO yayınları arasında geçiş yapar.

SYNC MENU

BRAVIA Sync Menüsünü görüntüler.

EXIT

Bir önceki ekrana döner veya menüden çıkar. Bir Etkileşimli Uygulama hizmeti varsa, hizmetten çıkmak için basın.

2 Rakam düğmeleri

(Bilgi/Gizli metni göster)

Bilgi gösterir.

(Teletext)

Teletext bilgisini görüntüler.

3 Google Play

"Google Play" çevrimiçi hizmetine erişir.

NETFLIX (Sadece belirli bölgelerde/ülkelerde/televizyon modellerinde)

"NETFLIX" çevrimiçi hizmetine erişir.

Renkli tuşlar

O anki fonksiyonu gerçekleştirir.

4 ACTION MENU

İçeriksel fonksiyonları listeler.

TV

- Bir televizyon kanalına veya başka bir uygulamanın girişine geçer.
- Televizyon kanalını veya girişini görüntülemek için televizyonu açın.

GUIDE/

Dijital program rehberini görüntüler.

BACK/

Önceki ekrana geri döner.

HOME

Televizyonun Home Menüsünü görüntüler.

DISCOVER

İçerik aramak için İçerik Çubuğunu gösterir.

(Öğe seç/Gir)

5 +/- (Ses)

Ses düzeyini ayarlar.



(Atla)

İki kanal veya giriş arasında geçiş yapar. Televizyon o anki kanalla seçilmiş son kanal veya giriş arasında geçiş yapar.

(Sessiz)

Sesi kapatır. Sesi eski düzeyine getirmek için tekrar basın.

PROG +/-/

Televizyon modundayken: Kanalı seçin.
Teletext modundayken: Sonraki () veya önceki () sayfayı seçer.

6 AUDIO

O an izlenmekte olan program için dili değiştirir.



Televizyondaki ve bağlı BRAVIA Sync uyumlu cihazdaki medya içeriklerini çalıştırır.

(Altyazı ayarları)

Altyazıyı açar veya kapatır (bu özellik mevcutsa).

HELP

Yardım menüsünü gösterir. Yardım Kılavuzu'na buradan erişilebilir.

● REC

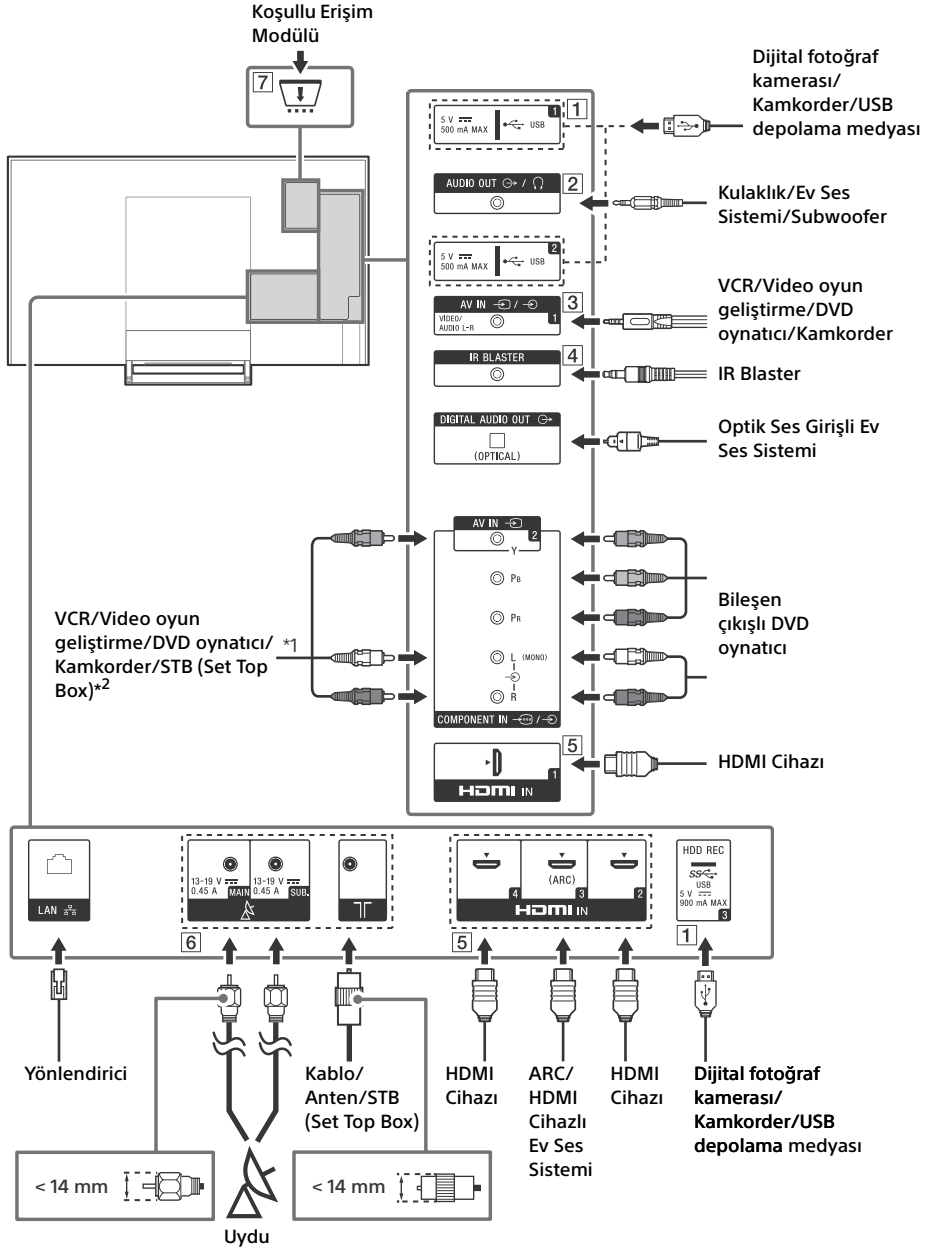
O anki programı USB HDD kaydetme fonksiyonuyla kaydeder.

TITLE LIST

Başlık listesini görüntüler.

Bağlantı Şeması

Bağlantılarla ilgili daha fazla bilgi için, uzaktan kumanda **HELP** tuşuna basarak Yardım Kılavuzuna başvurun.



1 USB 1/2, SS USB 3 (HDD REC)*³

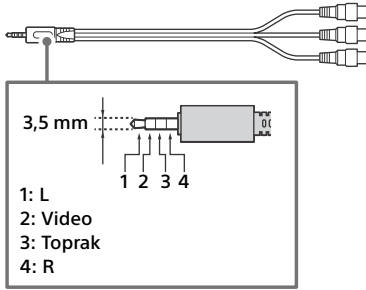
- Büyük bir USB cihazının bağlanması, yanındaki cihazlarla etkileşmesine yol açabilir.
- Büyük USB cihazlarını USB 1 jakına bağlayın.

2 AUDIO OUT

- Yalnızca 3 kutuplu stereo mini jakı destekler.
- Televizyonun sesini bağlı cihaz üzerinden dinlemek için **HOME** düğmesine basın. [Ayarlar] → [Ses] → [Kulaklık/Ses çıkış] öğesini, ardından da istediğiniz öğeyi seçin.

3 AV IN 1

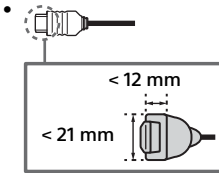
- Kompozit bir bağlantı için, bir Analog Uzatma Kablosu kullanın (ürünle verilmez).



4 IR BLASTER*³

5 HDMI IN 1/2/3/4

- Audio Return Channel (ARC) teknolojisi ile uyumlu bir dijital ses sistemi bağlarken HDMI IN 3 girişini kullanın. Aksi taktirde DIGITAL AUDIO OUT (OPTICAL) ile ilave bir bağlantı gerekir.



6 (Uydu girişi), RF (RF girişi)

- Karasal/kablo yayını ve uydu için bağlantılar. Bağlantı adımları: SUB. → Anten → MAIN
- SUB. jakına, yalnızca, Tek Kablolü Dağıtımlı EN50494 hariç iki alıcı modu kullanırken bağlayın.

7 CAM (Modül)

- Ücretli televizyon hizmetlerine erişim sağlar. Ayrıntılar için CAM ile birlikte verilen kullanım kılavuzuna bakın.
- Akıllı kartı doğrudan televizyonun CAM yuvasına takmayın. Bu, yetkili satıcınız tarafından sağlanan modüle takılmalıdır.
- CAM bazı ülkelerde/bölgelerde desteklenmez. Yetkili satıcınıza danışın.
- İnternet videosunu kullandıktan sonra bir dijital programa geçtiğinizde bir CAM mesajı görüntülenebilir.

*1 Mono cihazları L (MONO) ses girişine bağlayın.

*2 Sadece SCART AV ÇIKIŞI olan bir harici cihaz için, bir SCART-RCA adaptörü kullanın.

*3 Sadece belirli bölgelerde/ülkelerde/televizyon modellerinde.

Televizyonu duvara monte etme

Opsiyonel Duvara Montaj Mesnetini kullanma

Bu televizyonun kullanım kılavuzu sadece televizyonu duvara monte etmeden önceki montaj adımlarını gösterir.

Müşterilere:

Ürün koruması ve güvenlik nedenleriyle, Sony televizyonunuzun montajının kesinlikle Sony bayileri veya lisanslı yüklenicileri tarafından yapılmasını önerir. Cihazı kendiniz monte etmeye çalışmayın.

Sony Bayilerine ve Yüklenicilerine:

Bu ürünün montajı, periyodik bakımı ve muayenesi sırasında emniyete çok dikkat edin.

Bu ürün; duvarın, televizyonun ağırlığını taşıyabilecek sağlamlıkta olduğunu belirlemek için gerekli eğitimi almış, profesyonel bir montör tarafından monte edilmelidir. Montaj sırasında sağlam şekilde sabitlenmezse televizyon düşebilir ve ciddi yaralanmalara neden olabilir. Sony yanlış taşıma veya montajdan veya belirtilen ürün dışında bir ürünün montajından kaynaklanabilecek hasarlar ve yaralanmalarla ilgili hiçbir sorumluluk kabul etmez. Ancak, Yasal Haklarınız (mevcutsa) saklı kalır.

Televizyonu duvara monte etmek için SU-WL845 (ürünle verilmez) (sadece KD-75XE94xx, KD-65XE93xx), SU-WL840 (ürünle verilmez) (sadece KD-55XE93xx) ya da SU-WL450 (ürünle verilmez) (sadece KD-65/55XE93xx) Duvar Askı Aparatı kullanın. Duvar Askı Aparatını monte ederken, Duvar Askı Aparatıyla birlikte verilen kullanım kılavuzuna ve montaj kılavuzuna da başvurun.

Not

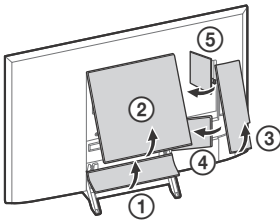
- Sökülen vidaları, çocuklardan uzakta ve güvenli bir yerde sakladığınızdan emin olun.
- Duvarda televizyon için yeterli boş alan bulunduğundan ve duvarın, televizyonun ağırlığının en az altı katını taşıyabilecek sağlamlıkta olduğundan emin olun.



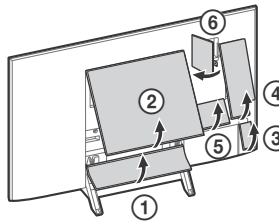
TV modelinize ait Duvar Askı Aparatının kurulumuna dair talimatlar için şu web sitesine başvurunuz: www.sony.eu/tv/wall-mount-bracket-manual

Stand kapağını ve terminal kapaklarını çıkarın.

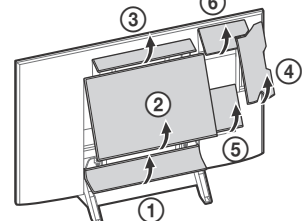
KD-75XE94xx



KD-65XE93xx



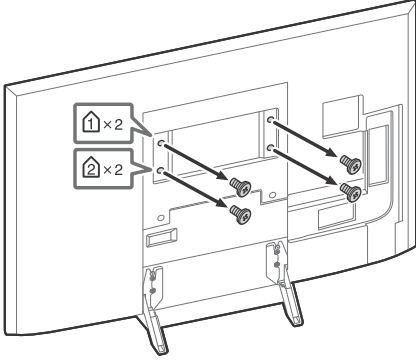
KD-55XE93xx



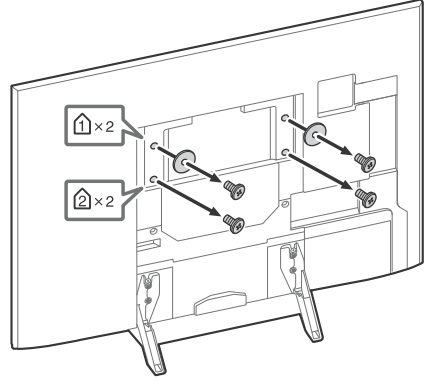
SU-WL845 (KD-75XE94xx, KD-65XE93xx), SU-WL840 (KD-55XE93xx)

Vidaları televizyonunun arkasından sökün.

KD-75XE94xx

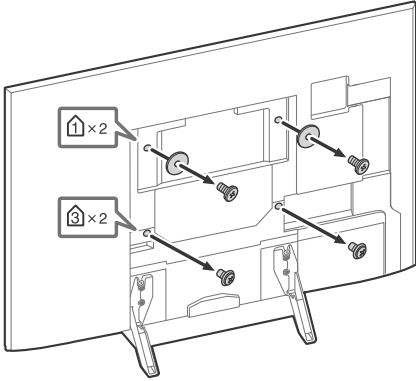


KD-65/55XE93xx

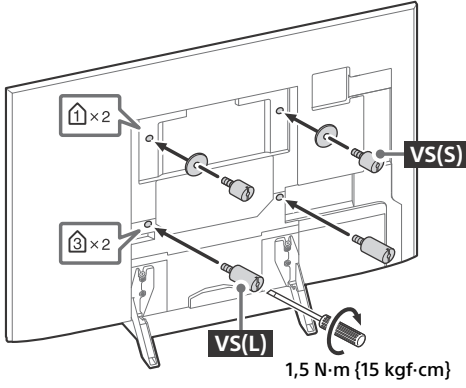


SU-WL450 (Yalnızca KD-65/55XE93xx)

1 Vidaları televizyonunun arkasından sökün.



2 Duvar Askı Aparatını (TV ile birlikte verilir) TV'nin arkasına takın (duvarla paralel hale getirmek için).



Not

- Elektrikli tornavida kullanıyorsanız torku yaklaşık 1,5 N·m {15 kgf·cm} olarak ayarlayın.
 - Bunları Televizyon takarken Duvar Askı Aparatını sabitlediğinizden emin olun.
- Duvar Askı Aparatını takmak için yalnızca düz başlı bir tornavida kullanın. Başka bir aletin kullanılması Duvar Askı Aparatının aşırı torkla sıkılmasına ve televizyonun hasar görmesine neden olabilir.

Yalnızca KD-75XE94xx, KD-55XE93xx

Televizyonunuz ambalajından çıktığı haliyle bir Duvar Askı Aparatına (birlikte sağlanmaz) monte edilebilir.

Kabloları bağlamadan önce televizyonu Duvar Askı Aparatı için hazırlayın.

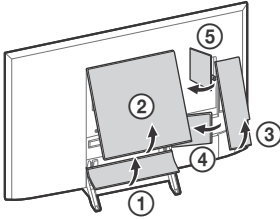
Bu ürün; duvarın, televizyonun ağırlığını taşıyabilecek sağlamlıkta olduğunu belirlemek için gerekli eğitimi almış, profesyonel bir montör tarafından monte edilmelidir. Montaj sırasında sağlam şekilde sabitlenmezse televizyon düşebilir ve ciddi yaralanmalara neden olabilir. Sony yanlış taşıma veya montajdan veya belirtilen ürün dışında bir ürünün montajından kaynaklanabilecek hasarlar ve yaralanmalarla ilgili hiçbir sorumluluk kabul etmez. Ancak, Yasal Haklarınız (mevcutsa) saklı kalır.

Ürün koruması ve güvenlik nedenleriyle Sony, televizyonunuzun duvara montajının kesinlikle uzman profesyoneller tarafından yapılmasını önerir. Cihazı kendiniz monte etmeye çalışmayın.

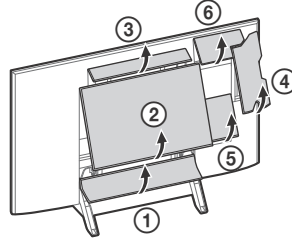
- Sizin modelinize ait Duvar Askı Aparatı ile birlikte verilen talimatlara uyun.
- Masa Üstü Sehpasını takmaya hazır olana kadar, kullanılmayan vidaları ve Masa Üstü Sehpasını güvenli bir yerde tutun. Vidaları küçük çocuklardan uzak tutun.
- Duvarda televizyon için yeterli boş alan bulunduğu ve duvarın, televizyonun ağırlığının en az altı katını taşıyabilecek sağlamlıkta olduğundan emin olun.

1 Stand kapağını ve terminal kapaklarını çıkarın.

KD-75XE94xx

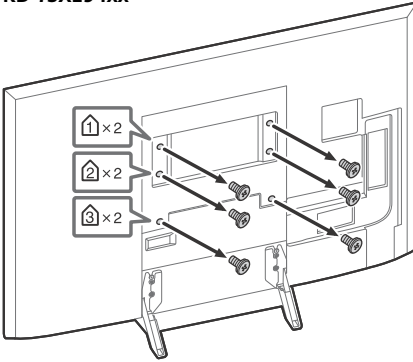


KD-55XE93xx

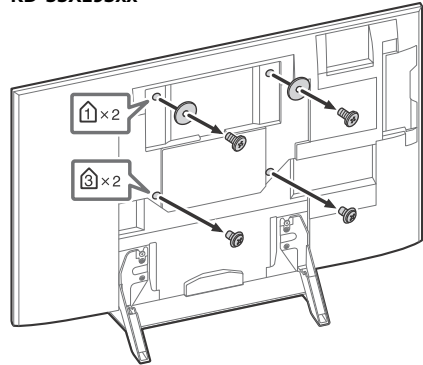


2 Vidaları televizyonunun arkasından sökün.

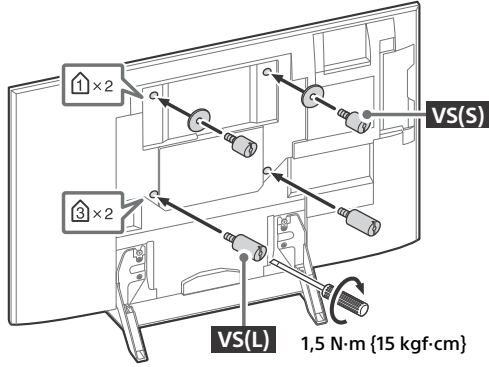
KD-75XE94xx



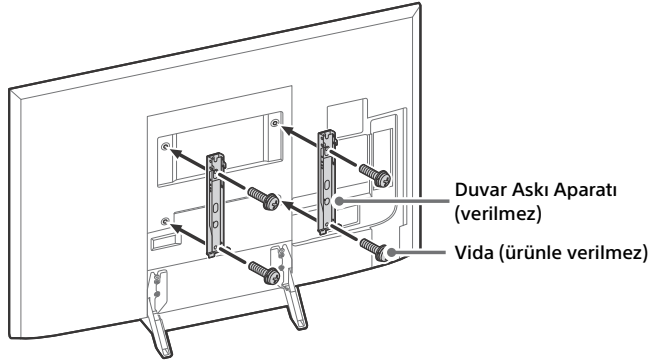
KD-55XE93xx



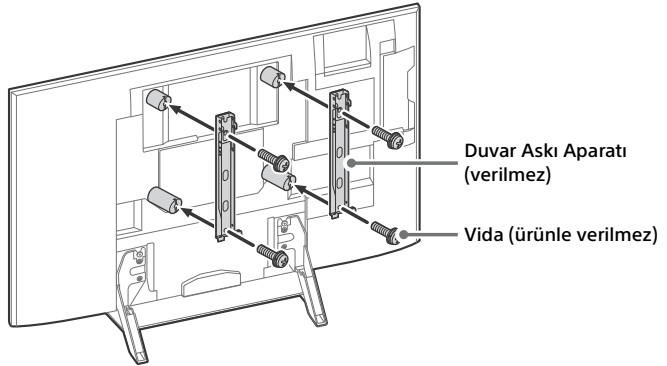
- 3 Duvar Askı Aparatını (TV ile birlikte verilir) TV'nin arkasına takın (duvarla paralel hale getirmek için) (Yalnızca KD-55XE93xx)



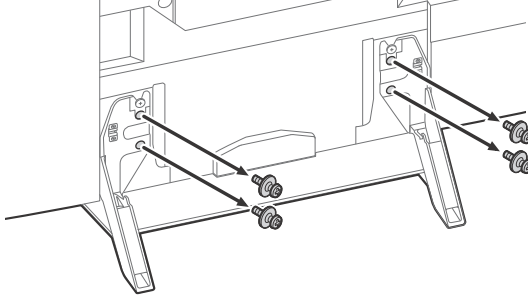
- 4 Vidaları (verilmez) kullanarak Duvar Askı Aparatını (verilmez) tutturun.
KD-75XE94xx



KD-55XE93xx



5 Masa Üstü Standı televizyondan ayırın.



Not

- Elektrikli tornavida kullanıyorsanız torku yaklaşık 1,5 N-m {15 kgf-cm} olarak ayarlayın.
- Bunları Televizyon takarken Duvar Askı Aparatını sabitlediğinizden emin olun.
Duvar Askı Aparatını takmak için yalnızca düz başlı bir tornavida kullanın. Başka bir aletin kullanılması Duvar Askı Aparatının aşırı torkla sıkılmasına ve televizyonun hasar görmesine neden olabilir.
- Bir Duvar Askı Aparatı (ürünle verilmez) kullanırken televizyonun arkasındaki kablo tutucuların bazılarını kullanamazsınız.

Sorun Giderme

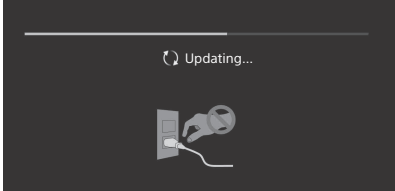
Siyah ekran, ses yok, donmuş görüntü, televizyon yanıt vermiyor ya da ağ kaybedildi gibi sorunlar için genel sorun giderme amacıyla aşağıdaki adımları izleyin.

- 1 Bir mesaj görüntülenene kadar uzaktan kumanda üzerindeki güç düğmesine basarak televizyonu yeniden başlatın. Televizyon yeniden başlatılacaktır. Televizyon düzelmiyorsa, ana elektrik kablosundan televizyonun fişini çekmeyi ve iki dakika sonra tekrar takmayı deneyin.
- 2 Uzaktan kumandada **HELP** tuşuna basarak Yardım menüsüne başvurun.
- 3 Televizyonunuzu İnternete bağlayın ve bir yazılım güncellemesi gerçekleştirin.
- 4 Sony destek web sitesini ziyaret edin (bilgiler arka kapakta verilmiştir).

[Yeni bir TV sistem yazılım güncellemesi var...] mesajı görüntülediği zaman.

Sony, [Şimdi Güncelle] seçeneğini seçerek televizyon yazılımını güncellenenizi şiddetle tavsiye eder. Bu yazılım güncellemeleri, televizyon performansınızı geliştirir ya da yeni özellikler ekler.

Yazılım güncellenirken [Updating...] (Güncelleniyor...) ibaresiyle birlikte aşağıdaki ekran görüntülenir ve aydınlatma LED'i beyaz yanıp söner.



Yazılım güncellemesi sırasında televizyonun fişini prizden çekmeyin. Aksi takdirde yazılım güncellemesi tamamlanamaz ve yazılım hatalı çalışabilir. Yazılım güncellemesi 15 dakikaya kadar sürebilir.

Televizyonun fişini takıp tekrar çıkarttığınızda, uzaktan kumandadaki veya televizyondaki güç düğmesine bassanız bile televizyon bir süre açılmayabilir.
Sistemin başlatılması zaman alır. Yaklaşık bir dakika bekleyip tekrar çalıştırın.

Sorunlar ve Çözümleri

Aydınlatma LED'i kırmızı yanıp söndüğü zaman.

- Kaç kez yanıp söndüğünü sayın (zaman aralığı üç saniyedir).
Ana elektrik kablosunun bağlantısını iki dakika süreyle kesip ardından televizyonu açarak televizyonu yeniden başlatın.
Sorun devam ederse, ana elektrik kablosu bağlantısını kesin ve aydınlatma LED'inin kaç kez yanıp söndüğü bilgisiyle birlikte satıcınıza ya da Sony servis merkezine başvurun.

Yerden/kablolu servis alınmıyor.

- Anteni/kablo bağlantısını ve güçlendirici ayarlarını kontrol edin.
- Uzaktan kumandada **DIGITAL/ANALOG** tuşuna basarak yerden/kablolu servisi seçin. Yayın servisi görüntülenmiyorsa, **TV** tuşuna basın ve ardından **DIGITAL/ANALOG** tuşuna basın.
- Yakınlarda sağlanan güçlü bir sinyal varsa, yer sinyali bastırılabilir. Dijital ince ayarlarda [LNA (CH ---)] seçeneğini [Kapalı] olarak ayarlayın.
- Yeni bir eve taşındıktan ya da yeni servisler almaya çalıştıktan sonra, [Dijital ayarlar] seçeneğini seçerek bir servis araması yapın.

Uydu servisi alınmıyor.

- Uydu kablosu bağlantısını kontrol edin.
- [Sinyal yok. LNB yüksek yüklenme tespit edildi...] mesajı görüntülediği zaman, ana elektrik kablosunu sökün. Ardından uydu kablosunun hasar görmemiş olduğundan ve uydu konektöründe uydu sinyalinin kısa devre yapmamış olduğundan emin olun.

Uzaktan kumanda çalışmıyor.

- Pilleri değiştirin.

Yayın için ebeveyn kilidi şifresi unutuldu.

- PIN kodu olarak 9999 girin ve [PIN Kodunu değiştirin] seçeneğini seçin.

Televizyonun çevresi ısınıyor.

- Televizyon uzun süre kullanıldığında, televizyonun çevresi ısınır.
Buraya elle dokunduğunuzda sıcaklığı hissedebilirsiniz.

Spesifikasyonlar

Sistem

Panel Sistemi

LCD (Sıvı Kristal Ekran) Panel, LED'li arkadan aydınlatma

Televizyon Sistemi

Ülkenize/alan seçiminize/televizyon modelinize bağlı olarak

Analog: B/G, D/K, I

Dijital: DVB-T/DVB-C

DVB-T2*

Uydu*: DVB-S/DVB-S2

Renk Sistemi

PAL, SECAM, NTSC3.58 (Sadece video), NTSC4.43 (Sadece video)

Kanal kapsamı

Ülkenize/alan seçiminize/televizyon modelinize bağlı olarak

Analog: UHF/VHF/Kablolu

Dijital: UHF/VHF/Kablolu

Uydu*: IF Frekansı 950-2.150 MHz

Ses çıkışı

KD-75XE94xx, KD-65XE93xx: 10 W + 10 W + 10 W + 10 W + 10 W + 10 W

KD-55XE93xx: 5 W + 5 W + 10 W + 10 W + 10 W + 10 W

Kablosuz teknolojsi

IEEE802.11ac/a/b/g/n protokolü (IEEE802.11ac ülkeye/bölgeye bağlı olarak bulunmayabilir.)

Bluetooth Sürümü 4.1

Frekans bandı/bantları: WLAN 2.4 GHz/5 GHz,

Bluetooth 2.4 GHz

Radio frekans gücü vericisi: 100 mW MAKS

Televizyon yazılım sürümü:

PKG_..._...EUA

Yazılım sürümünün öğrenmek için uzaktan kumandada **HELP** tuşuna basın.

* DVB-T2 ya da DVB-S/S2 teknolojisi veya uydu anten terminali tüm televizyon setlerinde bulunmaz.

Giriş/Çıkış Jackları

Anten/kablo

VHF/UHF için 75 ohm harici terminal

Uydu anteni

Dişi F tipi Konektör, 75 ohm.

DiSEqC 1.0, LNB 13 V/18 V ve 22 kHz ton, Tek Kablo

Dağıtımı EN50494.

AV IN 1

Video/Ses girişi (mini jak)

COMPONENT IN

YPbPr (Component Video): 1080p (50, 60 Hz), 1080i (50, 60 Hz), 720p (50, 60 Hz), 576p, 576i, 480p, 480i

Ses girişi (RCA jaklar)

AV IN 2

Video girişi (Y girişli ortak RCA pini)

HDMI IN 1, 2, 3, 4 (4K çözünürlüğü destekler, HDCP 2.2-uyumlu)

Video:

4096 × 2160p (50, 60 Hz)*1*2, 4096 × 2160p

(24 Hz)*1, 3840 × 2160p (50, 60 Hz)*2,

3840 × 2160p (24, 25, 30 Hz), 1080p (30, 50,

60 Hz), 1080/24p, 1080i (50, 60 Hz), 720p (30,

50, 60 Hz), 720/24p, 576p, 576i, 480p, 480i, PC

Formatları

*1 4096 × 2160p girildiğinde 3840 × 2160p görüntülenir.

*2 Sadece HDMI IN 2 / 3.

Ses: 5,1 kanal doğrusal PCM: 32, 44,1, 48, 88,2, 96, 176,4 ve 192 kHz, 16, 20 ve 24 bit, Dolby Digital, Dolby Digital Plus ve DTS

ARC (Audio Return Channel) (sadece HDMI IN 3)

(İki kanal doğrusal PCM: 48 kHz, 16 bit, Dolby Digital, Dolby Digital Plus, DTS)

DIGITAL AUDIO OUT (OPTICAL)

Dijital optik jak (iki kanal doğrusal PCM: 48 kHz, 16 bit, Dolby Digital, DTS)

AUDIO OUT (Stereo Mini Ak)

Kulaklık, Ses Çıkışı, Subwoofer

HDD REC*1

USB cihaz portu (SS) 3 Kayıt özelliği için 3 USB HDD cihazı)

1 ve 2 USB portu High Speed USB'yi (USB2.0) destekler.

3 USB portu Super Speed USB'yi (USB3.0) destekler.

CAM

CAM (Koşullu Erişim Modülü) yuvası

LAN

10BASE-T/100BASE-TX konektörü (Ağın çalışma ortamına bağlı olarak bağlantı hızı değişebilir. Bu TV için 10BASE-T/100BASE-TX iletişim hızı ve iletişim kalitesi garanti edilmemektedir.)

DC IN 24 V (yalnızca AC adaptörüyle verilen modeller)

AC adaptörü girişi

IR BLASTER*1

IR Blaster Kablo girişi (mini jak)

Diğer

Opsiyonel aksesuarlar

Duvar Askı Aparatı: SU-WL845 (Yalnızca KD-75XE94xx, KD-65XE93xx)

Duvar Askı Aparatı: SU-WL840 (Yalnızca KD-55XE93xx)

Duvar Askı Aparatı: SU-WL450 (Yalnızca KD-65/55XE93xx)

Çalışma sıcaklığı

0 °C ila 40 °C

Çalışma nemi

%10 ila %80 bağıl nem (yoğuşmasız)

Güç, Ürün Fişi ve diğerleri

Güç gereksinimleri

AC adaptörüyle verilen model hariç

220 V - 240 V AC, 50 Hz

yalnızca AC adaptörüyle verilen modeller

AC adaptörlü 24 V DC

Nominal: Giriş 220 V - 240 V AC, 50 Hz

Enerji Verimliliği Sınıfı

KD-75XE94xx: B

KD-65XE93xx: A

KD-55XE93xx: B

Ekran boyutu (diyagonal olarak ölçülen)

(Yaklaşık)

KD-75XE94xx: 189,3 cm / 75 inç

KD-65XE93xx: 163,9 cm / 65 inç

KD-55XE93xx: 138,8 cm / 55 inç

Güç tüketimi

[Standart] modunda

KD-75XE94xx: 298 W

KD-65XE93xx: 164 W

KD-55XE93xx: 137 W

[Canlı] modunda

KD-75XE9405: 495 W

KD-65XE9305: 294 W

KD-55XE9305: 227 W

Ortalama yıllık enerji tüketimi*2

KD-75XE94xx: 413 kWh

KD-65XE93xx: 227 kWh

KD-55XE93xx: 190 kWh

Bekleme modunda güç tüketimi*3*4

0,50 W (Yazılım/EPG güncelleme modunda 27 W)

Görüntü çözünürlüğü

3.840 nokta (yatay) × 2.160 satır (dikey)

Nominal çıkış

USB 1/2: 5 V, ---, 500 mA maks.

USB 3: 5 V, ---, 900 mA maks.

Boyutlar (Yaklaşık) (g × y × d)

Masa Üstü Sehпасı ile

KD-75XE94xx: 167,3 × 103,7 × 32,5 cm

KD-65XE93xx: 145,1 × 91,3 × 29,5 cm

KD-55XE93xx: 123,2 × 79,0 × 28,2 cm

Masa Üstü Sehпасı olmadan

KD-75XE94xx: 167,3 × 96,2 × 6,2 cm

KD-65XE93xx: 145,1 × 83,8 × 3,9 cm

KD-55XE93xx: 123,2 × 71,5 × 4,0 cm

Ağırlık (Yaklaşık)

Masa Üstü Sehпасı ile

KD-75XE94xx: 47,6 kg

KD-65XE93xx: 42,4 kg

KD-55XE93xx: 32,6 kg

Masa Üstü Sehпасı olmadan

KD-75XE94xx: 42,8 kg

KD-65XE93xx: 38,2 kg

KD-55XE93xx: 28,6 kg

- *1 Sadece belirli bölgelerde/ülkelerde/televizyon modellerinde.
- *2 Televizyonun 365 gün boyunca günde 4 saat çalıştırıldığındaki enerji tüketimi baz alındığında enerji tüketimidir. Gerçek enerji tüketimi televizyonun nasıl kullanıldığına bağlı olarak değişecektir.
- *3 Belirtilen bekleme durumundaki güce, sadece televizyon gerekli dahili işlemleri tamamladıktan sonra ulaşılır.
- *4 Televizyon ağa bağlandığında bekleme modundaki güç tüketimi artar.

Not

- Kapağı TV CAM (modül) havasından, CAM'e takılan bir akıllı kartı yerleştirmek yarısında herhangi bir amaçla çıkartmayın.
- Opsiyonel aksesuarlar ülkeye/bölgeye/televizyon modeline/stok durumuna göre bulunur.
- Tasarım ve özelliklerde bilgi vermeksizin değişiklik yapılabilir.

Dijital TV fonksiyonu hakkında

- Dijital TV (DVB karasal, uydu ve kablo), interaktif hizmetler ve ağ işlevleri tüm ülkelerde veya bölgelerde kullanılamayabilir. Bazı işlevler etkinleştirilemeyebilir veya bazı sağlayıcılar ve ağ ortamlarında düzgün çalışmayabilir. Bazı TV hizmeti sağlayıcıları, hizmetleri için bir ücret talep edebilir.
- Bu TV, MPEG-2, H.264 / MPEG-4 AVC ve H.265 / HEVC kodlayıcı-kod çözücülerini kullanarak dijital yayını desteklemektedir; ancak, zaman içinde değişebilecek olan tüm operatör / servis sinyalleriyle uyumluluk garantisi edilemez.

Ticari markaya ilişkin bilgi

- HDMI ve HDMI High-Definition Multimedia Interface terimleri ve HDMI logosu, HDMI Licensing LLC şirketinin ABD ve diğer ülkelerdeki ticari markalarıdır veya tescilli ticari markalarıdır.
- Dolby Laboratories lisansı ile üretilmiştir. Dolby, Dolby Audio ve çift-D simgesi, Dolby Laboratories şirketinin ticari markalarıdır.
- "BRAVIA" ve BRAVIA, Sony Corporation şirketinin ticari markalarıdır.
- Gracernote, Gracernote eyeQ, Gracernote VideoID, Gracernote Video Explore, Gracernote logosu ve logo türü ve "Powered by Gracernote" logosu, Gracernote'un Amerika Birleşik Devletleri ve/veya diğer ülkelerde tescilli ticari markaları veya ticari markalarıdır.
- Opera® Devices SDK. Copyright 1995-2016 Opera TV AS. All rights reserved.
- Wi-Fi, Wi-Fi Direct, Miracast, Wi-Fi Protected Setup ve Wi-Fi CERTIFIED Logo, Wi-Fi Alliance'in ticari markalarıdır veya tescilli ticari markalarıdır.
- DTS patentleri için, <http://patents.dts.com> adresini ziyaret edin. DTS, Inc.'in lisansı altında üretilmiştir. DTS, Sembol, & DTS ve Sembol birlikte tescilli ticari markalardır ve DTS Digital Surround DTS, Inc.'in ticari markasıdır. © DTS, Inc. Tüm Hakları Saklıdır.
- Bluetooth® kelime markası ve logoları Bluetooth SIG, Inc. şirketinin tescilli ticari markalarıdır ve bu tip markalar Sony Corporation tarafından lisansla kullanılmaktadır. Diğer ticari markalar ve ticari adlar ilgili sahiplerine aittir.
- DiSEqC™, EUTELSAT'in bir ticari markasıdır. Bu televizyon DiSEqC 1.0'ı destekler. Bu televizyon motorlu antenleri kumanda etmek için tasarlanmamıştır.
- TUXERA, A.B.D. ve diğer ülkelerde Tuxera Inc.'in tescilli ticari markasıdır.
- USB-IF SuperSpeed USB Trident logosu, USB Implementers Forum, Inc. şirketinin bir tescilli ticari markasıdır. 



4K

Actual resolution: 3840 x 2160 pixels.
Résolution actuelle: 3840 x 2160 pixels.
Risoluzione effettiva: 3840 x 2160 pixel.

Resolução do ecrã: 3840 x 2160 pixels.
Resolución real: 3840 x 2160 píxeles.
πραγματική ανάλυση: 3840 x 2160 pixels.



http://rd1.sony.net/help/tv/eaep1/h_eu/

Help Guide/Guide d'aide/Guía de ayuda/
Helpgids/Hilfe/Guia de ajuda/Guida/Hjälpguide/
Hjælpevejledning/Käyttöopas/Hjelpeveiledning/
Przewodnik pomocniczy/Użytkowska příručka/
Průručka/Súgóútmutató/Ghid de asistență/
Помощно ръководство/Οδηγός βοήθειας/
Yardımlı Kılavuzu



For useful information about Sony products
Pour obtenir les informations utiles concernant les produits Sony
Información de utilidad para productos Sony
Voor nuttige informatie over Sony producten
Für hilfreiche Informationen zu Sony Produkten
Para informação útil sobre os produtos Sony
Per informazioni utili sui prodotti Sony
For nyttig informasjon om Sony-produkter
For mere information om Sony-produkter
Hyödyllistä tietoa Sony tuotteista

www.sony.eu/support

For nyttig informasjon om Sony produkter
Szczegółowe informacje o produktach Sony
Užitečné informace o výrobcích Sony
Pre viac informácií o produktoch Sony
Sony termékekről hasznos információkat találhat az alábbi weboldalon
Pentru informații utile despre produsele Sony
За полезна информация относно продуктите на Sony
Για χρήσιμες πληροφορίες σχετικά με τα προϊόντα SONY
Sony ürünleri için faydalı bilgiler

<http://www.sony.net/>

© 2017 Sony Corporation