

# PHILIPS



hue personal  
wireless  
lighting

34179/\*\*/\*\*

34180/\*\*/\*\*

34179/\*\*/\*\*



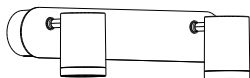
34180/\*\*/\*\*



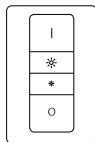
Gebruiksaanwijzing  
Notice d'emploi  
Benutzerhandbuch  
User manual  
Manual de usuario

Incl.

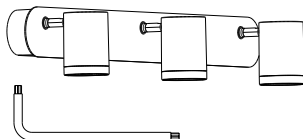
34179/\*\*/\*\*



1 x CR2450 +



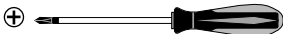
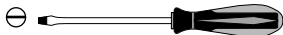
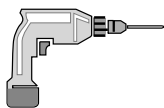
34180/\*\*/\*\*



GU10

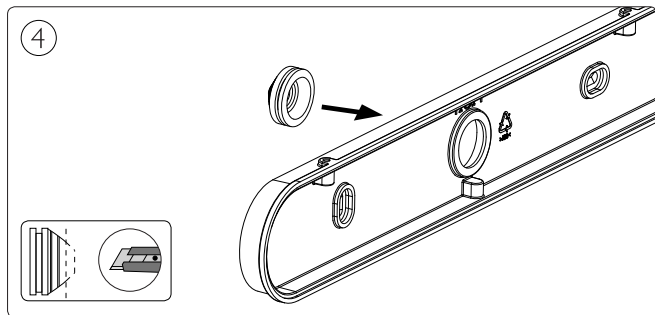
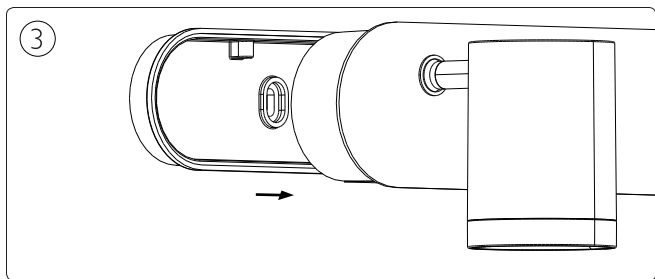
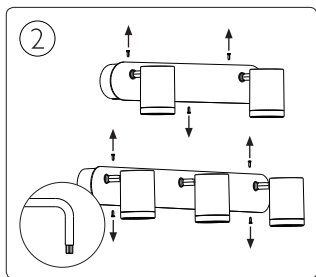
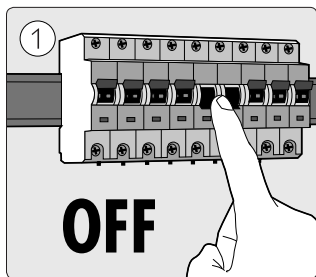


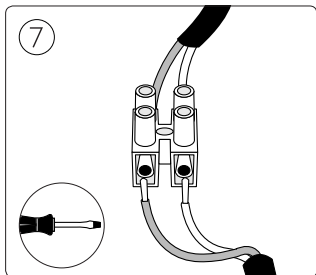
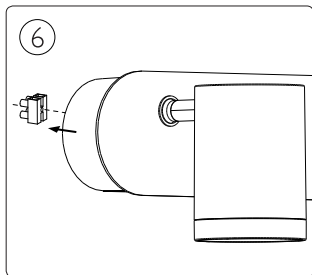
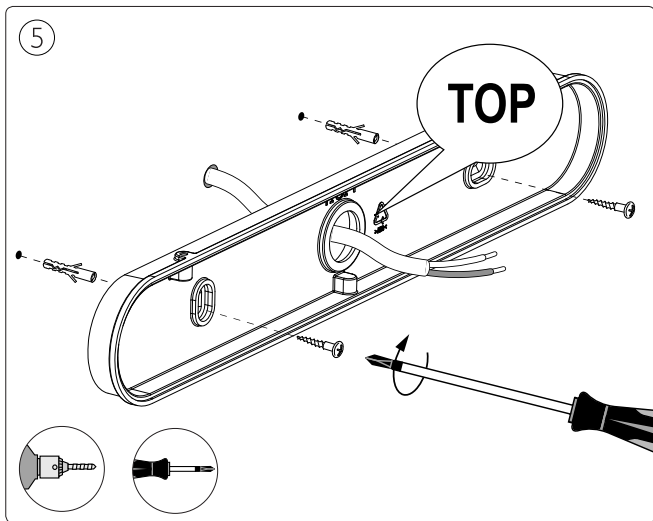
Excl.

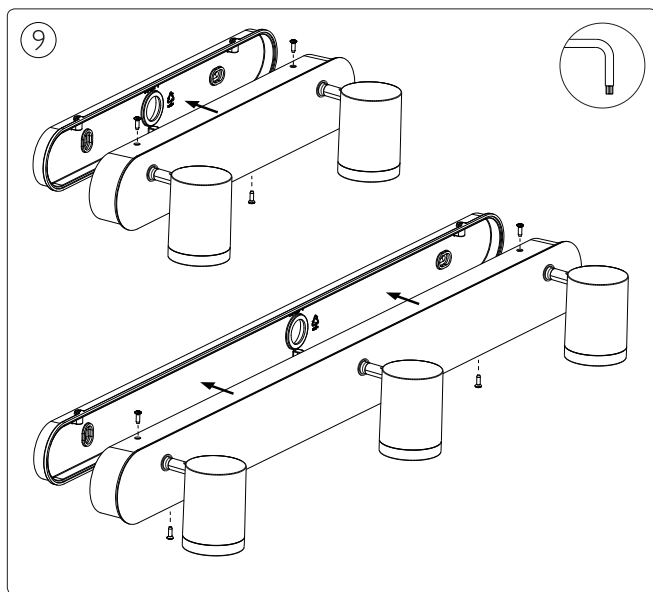
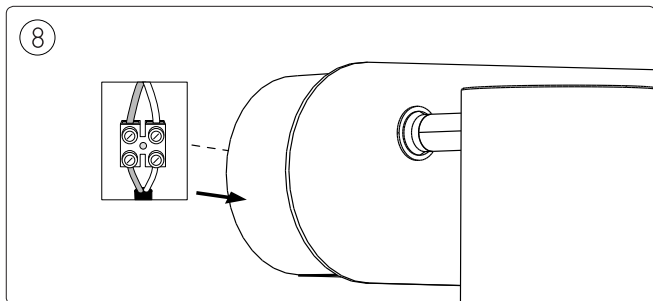


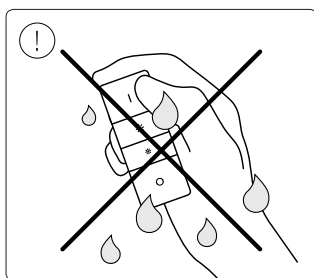
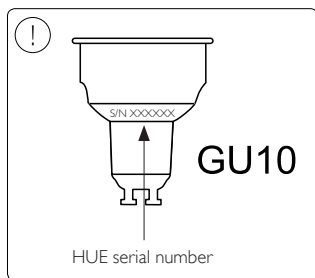
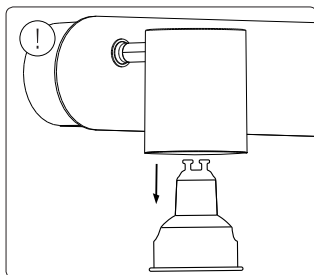
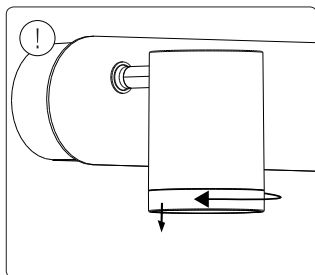
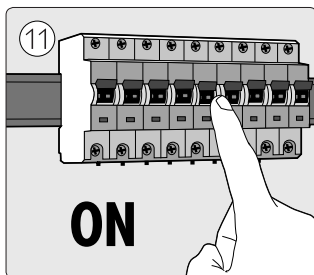
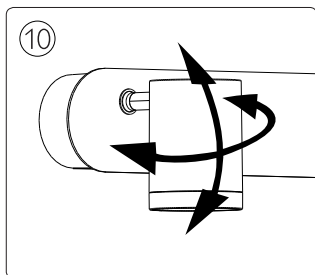
[www.meethue.com/getstarted](http://www.meethue.com/getstarted)

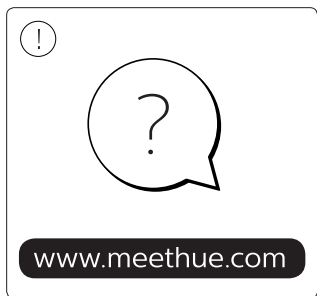
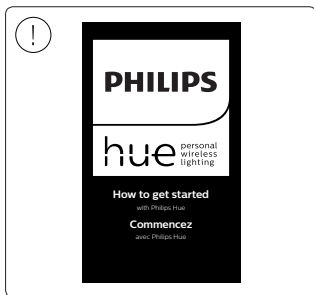
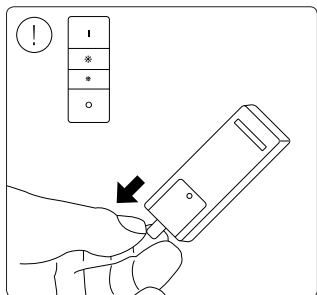














Signify  
I.B.R.S. / C.C.R.I. Numéro 10461  
5600 VB Eindhoven,  
the Netherlands  
☎00800-74454775

© 2019 Signify Holding  
All rights reserved.

[www.meethue.com](http://www.meethue.com)

4404 029 09213  
Last update: 27/08/19