



CONTENTS

1. SAFETY INFORMATION.....	3
2. SAFETY INSTRUCTIONS.....	4
3. PRODUCT DESCRIPTION.....	5
4. CONTROL PANEL.....	6
5. PROGRAMMES	7
6. CONSUMPTION VALUES.....	9
7. OPTIONS.....	11
8. SETTINGS.....	11
9. BEFORE FIRST USE.....	12
10. DAILY USE.....	12
11. HINTS AND TIPS.....	16
12. CARE AND CLEANING.....	17
13. TROUBLESHOOTING.....	20
14. TECHNICAL DATA.....	23

FOR PERFECT RESULTS

Thank you for choosing this AEG product. We have created it to give you impeccable performance for many years, with innovative technologies that help make life simpler features you might not find on ordinary appliances. Please spend a few minutes reading to get the very best from it.

Visit our website for:



Get usage advice, brochures, trouble shooter, service information:
www.aeg.com



Register your product for better service:
www.registeraeg.com



Buy Accessories, Consumables and Original spare parts for your appliance:
www.aeg.com/shop

CUSTOMER CARE AND SERVICE

Always use original spare parts.

When contacting our Authorised Service Centre, ensure that you have the following data available: Model, PNC, Serial Number.

The information can be found on the rating plate.



Warning / Caution-Safety information



General information and tips



Environmental information

Subject to change without notice.

1. SAFETY INFORMATION

Before the installation and use of the appliance, carefully read the supplied instructions. The manufacturer is not responsible if an incorrect installation and use causes injuries and damages. Always keep the instructions with the appliance for future reference.

1.1 Children and vulnerable people safety

- This appliance can be used by children aged from 8 years and above and persons with reduced physical, sensory or mental capabilities or lack of experience and knowledge if they have been given supervision or instruction concerning use of the appliance in a safe way and understand the hazards involved.
- Do not let children play with the appliance.
- Children of less than 3 years should be kept away unless continuously supervised.
- Keep all packaging away from children.
- Keep all detergents away from children.
- Keep children and pets away from the appliance door when it is open.
- Cleaning and user maintenance shall not be made by children without supervision.

1.2 General Safety

- Do not change the specification of this appliance.
- Obey the maximum load volume of 7 kg (refer to the "Programme chart" chapter).
- The operating water pressure (minimum and maximum) must be between 0,5 bar (0,05 MPa) and 8 bar (0,8 MPa).
- The ventilation openings in the base (if applicable) must not be obstructed by a carpet.
- The appliance is to be connected to the water mains using the new supplied hose-sets. Old hose sets must not be reused.

- If the supply cord is damaged, it must be replaced by the manufacturer, its Authorised Service Centre or similarly qualified persons in order to avoid a hazard.
- Before maintenance, deactivate the appliance and disconnect the mains plug from the mains socket.
- Do not use water spray and steam to clean the appliance.
- Clean the appliance with a moist soft cloth. Only use neutral detergents. Do not use abrasive products, abrasive cleaning pads, solvents or metal objects.

2. SAFETY INSTRUCTIONS

2.1 Installation

- Remove all the packaging and the transit bolts.
- Keep the transit bolts. When you move the appliance again you must block the drum.
- Always be careful when you move the appliance because it is heavy. Always wear safety gloves.
- Do not install or use a damaged appliance.
- Obey the installation instruction supplied with the appliance.
- Do not install or use the appliance where the temperature is less than 0 °C or where it is exposed to the weather.
- Make sure that the floor where you install the appliance is flat, stable, heat resistant and clean.
- Make sure that there is air circulation between the appliance and the floor.
- Adjust the feet to have the necessary space between the appliance and the carpet.
- Do not install the appliance where the appliance door can not be fully opened.

2.2 Electrical connection

- The appliance must be earthed.
- Always use a correctly installed shockproof socket.
- Make sure that the electrical information on the rating plate agrees

with the power supply. If not, contact an electrician.

- Do not use multi-plug adapters and extension cables.
- Make sure not to cause damage to the mains plug and to the mains cable. Should the mains cable need to be replaced, this must be carried out by our Authorised Service Centre.
- Connect the mains plug to the mains socket only at the end of the installation. Make sure that there is access to the mains plug after the installation.
- Do not touch the mains cable or the mains plug with wet hands.
- Do not pull the mains cable to disconnect the appliance. Always pull the mains plug.
- Only for UK and Ireland: The appliance has a 13 amp mains plug. If it is necessary to change the fuse in the mains plug, use a 13 amp ASTA (BS 1362) fuse.
- This appliance complies with the E.E.C. Directives.

2.3 Water connection

- Make sure not to cause damage to the water hoses.
- Before you connect the appliance to new pipes or pipes not used for a long time, let the water flow until it is clean.
- The first time you use the appliance, make sure that there is no leakage.

2.4 Use



WARNING!

Risk of injury, electrical shock, fire, burns or damage to the appliance.

- Use this appliance in a household only.
- Obey the safety instructions on the detergent packaging.
- Do not put flammable products or items that are wet with flammable products in, near or on the appliance.
- Make sure that you remove all metal objects from the laundry.
- Do not put a container to collect possible water leakage under the appliance. Contact the Authorised Service Centre to ensure which accessories can be used.

- Do not touch the glass of the door while a programme operates. The glass can be hot.

2.5 Service

- To repair the appliance contact an Authorised Service Centre.
- Use original spare parts only.

2.6 Disposal



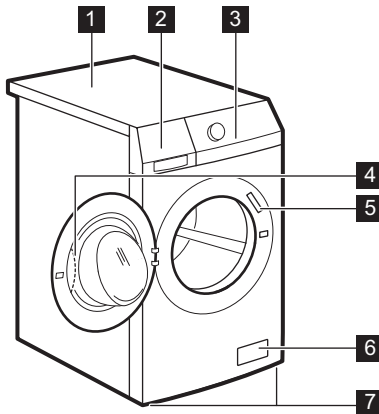
WARNING!

Risk of injury or suffocation.

- Disconnect the appliance from the mains supply.
- Cut off the mains cable and discard it.
- Remove the door catch to prevent children and pets to get closed in the appliance.

3. PRODUCT DESCRIPTION

3.1 Appliance overview



- 1 Worktop
- 2 Detergent dispenser
- 3 Control panel
- 4 Door handle
- 5 Rating plate
- 6 Drain pump filter
- 7 Feet for the appliance level

3.2 Fixing plate kit (4055171146)

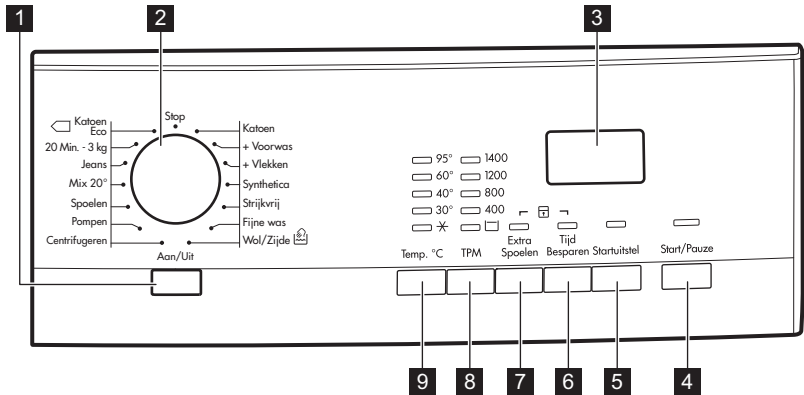
Available from your authorized dealer.

If you install the appliance on a plinth, secure the appliance in the fixing plates.

Read carefully the instructions supplied with the accessory.

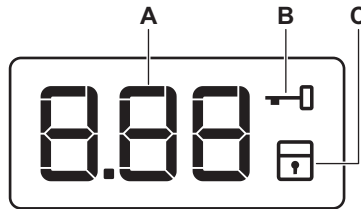
4. CONTROL PANEL

4.1 Control panel description



- | | |
|--|---|
| 1 On/Off button (Aan/Uit) | 6 Time saving button (Tijd Besparen) |
| 2 Programme knob | 7 Extra rinse button (Extra Spoelen) |
| 3 Display | 8 Spin button (TPM) |
| 4 Start/Pause button (Start/Pauze) | 9 Temperature button (Temp. °C) |
| 5 Delay start button (Startuitstel) | |


4.2 Display




Time area:

A	125	Programme duration
	2h	Delay start
	E20	Alarm codes
	Err	Message of error
	0	Programme is completed.

Door lock indicator:


B		You cannot open the appliance door when the indicator is on.
		You cannot open the appliance door when the indicator flashes. Wait for some minutes before you open the door.
		You can open the door only when the indicator goes off.


Child safety lock:

C		The indicator comes on when you activate this device.
----------	---	---

5. PROGRAMMES

5.1 Programme Chart

Programme Temperature range	Maximum load Maximum spin speed	Programme description (Type of load and soil level)
Washing programmes		
Katoen 95°C - Cold	7 kg 1400 rpm (L 62470 NFL) 1600 rpm (L 62670 NFL)	White cotton and coloured cotton. Normal soil and light soil.
Katoen + Voorwas 95°C - Cold	7 kg 1400 rpm (L 62470 NFL) 1600 rpm (L 62670 NFL)	White cotton and coloured cotton. Heavy soil and normal soil.
Katoen + Vlekken 95°C - 40°C	7 kg 1400 rpm (L 62470 NFL) 1600 rpm (L 62670 NFL)	White and resistant coloured cotton with heavy soil. Heavy soil.
Synthetica 60°C - Cold	3.5 kg 1200 rpm (L 62470 NFL) 1200 rpm (L 62670 NFL)	Synthetic items or mixed fabric items. Normal soil.
Strijkvrij 60°C - Cold	3.5 kg 800 rpm (L 62470 NFL) 800 rpm (L 62670 NFL)	Synthetic items to be gentle washed. Normal and light soil. ¹⁾
Fijne Was 40°C - Cold	3.5 kg 1200 rpm (L 62470 NFL) 1200 rpm (L 62670 NFL)	Delicate fabrics as acrylics, viscose, polyester items. Normal soil.
 Wol/Zijde 40°C - Cold	1.5 kg 1200 rpm (L 62470 NFL) 1200 rpm (L 62670 NFL)	Machine washable wool, hand washable wool and delicate fabrics with «hand washing» care symbol. ²⁾

Programme Temperature range	Maximum load Maximum spin speed	Programme description (Type of load and soil level)
Centrifugeren	7 kg 1400 rpm (L 62470 NFL) 1600 rpm (L 62670 NFL)	To spin the laundry and to drain the water in the drum. All fabrics.
Pompen	7 kg	To drain the water in the drum. All fabrics.
Spoelen	7 kg 1400 rpm (L 62470 NFL) 1600 rpm (L 62670 NFL)	To rinse and spin the laundry. All fabrics.
Mix 20° 20°C	3 kg 1200 rpm (L 62470 NFL) 1200 rpm (L 62670 NFL)	Special programme for cotton, synthetic and mixed fabrics with light soil. Set this programme to decrease the energy consumption. Make sure that the detergent is for low temperature in order to have good washing results ³⁾ .
Jeans 60°C - Cold	7 kg 1200 rpm (L 62470 NFL) 1200 rpm (L 62670 NFL)	Items in denim and jersey. Also for dark coloured items.
20 Min. - 3 kg 40°C - 30°C	3 kg 1200 rpm (L 62470 NFL) 1200 rpm (L 62670 NFL)	Cottons and synthetics items with light soil level or worn only once.
 Katoen Eco ⁴⁾ 60°C - 40°C	7 kg 1400 rpm (L 62470 NFL) 1600 rpm (L 62670 NFL)	White cotton and colour-fast cotton. Normal soil. The energy consumption decreases and the time of the washing programme is extended.

1) To reduce the creases of the laundry, this cycle regulates the water temperature and performs a soft wash and spin phase. The appliance adds some rinses.

2) During this cycle the drum rotates slowly to ensure a gentle washing. It can seem that the drum doesn't rotate or doesn't rotate properly. Consider this as a normal functioning of the appliance.


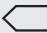
3) The appliance performs the short heating phase if the water temperature is below 20°C. The appliance can show the temperature setting as "cold".

4) **Standard programmes for the Energy Label consumption values.** According to regulation 1061/2010, these programmes are respectively the «Standard 60°C cotton programme» and the «Standard 40°C cotton programme». They are the most efficient programmes in terms of combined energy and water consumption for washing normally soiled cotton laundry.



The water temperature of the washing phase may differ from the temperature declared for the selected programme.

Programme options compatibility

Programme	TPM		Extra Spoelen ¹⁾	Tijd Besparen ²⁾	Startuitlet
Katoen	■	■	■	■	■
Katoen + Voorwas	■	■	■	■	■
Katoen + Vlekken	■	■	■	■	■
Synthetica	■	■	■	■	■
Synthetica + Voorwas	■	■	■	■	■
Strijkvrij	■	■	■	■	■
Fijne Was	■	■	■	■	■
Wol/Zijde	■	■			■
Centrifugeren	■				■
Pompen					
Spoelen	■	■	■		■
Mix 20°	■	■	■		■
Jeans	■	■	■	■	■
20 Min. - 3 kg	■				■
Katoen Eco 	■	■	■	■ ³⁾	■

¹⁾ If you set Extra Rinse option, the appliance adds some additional rinses. In the Rinse programme, if you set a low spin speed the appliance performs delicate rinses and a short spin.

²⁾ If you set a shorter duration, we recommend that you decrease the quantity of the load. It is possible to load fully the appliance, however the washing results are reduced.

³⁾ For this programme you can set only the Extra Quick duration.

6. CONSUMPTION VALUES



The data of this table are approximate. Different causes can change the data: the quantity and type of laundry, the water and ambient temperature.



At programme start the display shows the duration programme for the maximum load capacity.

During the washing phase the programme duration is automatically calculated and can be greatly reduced if the laundry load is lower than the maximum load capacity (e.g. Cotton 60°C, maximum load capacity 7 kg, the programme duration exceeds 2 hours; real load 1 kg, the programme duration don't reach 1 hour).

When the appliance is calculating the real programme duration a dot blinks in the display.

Programmes	Load (kg)	Energy consumption (kWh)	Water consumption (litre)	Approximate programme duration (minutes)	Remaining moisture (%) ¹⁾
Katoen 60 °C	7	1,30	62	157	52 ²⁾ / 44 ³⁾
Katoen 40 °C	7	0,80	62	154	52 ²⁾ / 44 ³⁾
Synthetica 40 °C	3.5	0,53	45	127	35 ²⁾ / 35 ³⁾
Fijne Was 30 °C	3.5	0,57	53	100	35 ²⁾ / 35 ³⁾
Wol/Zijde 30 °C	1.5	0,25	45	56	30 ²⁾ / 30 ³⁾
Standard cotton programmes					
Standard 60 °C cotton	7	0,87	52	240	52 ²⁾ / 44 ³⁾
Standard 60 °C cotton	3.5	0,75	41	215	52 ²⁾ / 44 ³⁾
Standard 40 °C cotton	3.5	0,54	41	210	52 ²⁾ / 44 ³⁾

1) At the end of spin phase.

2) For model L 62470 NFL.

3) For model L 62670 NFL.


Off Mode (W)	Left On Mode (W)
0,48	0,48

The information given in the chart above are in compliance with the EU Commission regulation 1015/2010 implementing directive 2009/125/EC.

7. OPTIONS

7.1 Temp.°C

Set this option to change the default temperature.

Indicator  = cold water.

The indicator of the set temperature comes on.

7.2 TPM


With this option you can decrease the default spin speed.

The indicator of the set speed comes on.

Additional spin options:

Rinse Hold

- Set this option to prevent the laundry creases.
- The relevant indicator comes on.
- The washing programme stops with the water in the drum. The drum turns regularly to prevent the laundry creases.
- The door stays locked. You must drain the water to unlock the door.

 To drain the water refer to 'At the end of the programme'.

7.3 Extra Spoelen

With this option you can add some rinses to a washing programme.


Use this option for persons allergic to detergents and in areas where the water is soft.

The related indicator comes on.

7.4 Tijd Besparen

With this option you can decrease the programme duration.

- Press this button one time to set 'Shortened duration' for items with daily soil.
- Press this button two times to set 'Extra Quick' for items with almost no soil.

 Some programmes accept only one of the two options.

7.5 Startuitstel

With this option you can delay the start of a programme from 30 minutes to 20 hours.

The display shows the related indicator and delay time.


8. SETTINGS

8.1 Acoustic signals

The acoustic signals operate when:


- You activate the appliance.
- You deactivate the appliance.
- You press the buttons.
- The programme is completed.
- The appliance has a malfunction.

To **deactivate/activate** the acoustic signals, press Temp.°C and TPM at the same time for 6 seconds.

 If you deactivate the acoustic signals, they continue operate when the appliance has a malfunction.

8.2 Child Lock

With this option you can prevent that the children play with the control panel.

- To **activate/deactivate** this option, press Extra Spoelen and Tijd Besparen at the same time until the indicator  **comes on/goes off.**

You can activate this option:

- After you press Start/Pauze : the options and the programme knob are locked.
- Before you press Start/Pauze : the appliance cannot start.

8.3 Permanent Extra Rinse

With this option you can permanently have an extra rinse when you set a new programme.

- To **activate/deactivate** this option press Tijd Besparen and Startuitstel at the same time until the indicator Extra Spoelen **comes on/goes off**.

9. BEFORE FIRST USE

1. Put 2 litre of water in the detergent compartment for washing phase.
This activates the drain system.
2. Put a small quantity of detergent in the compartment for washing phase.
3. Set and start a programme for cotton at the highest temperature without laundry.

This removes all possible dirt from the drum and the tub.

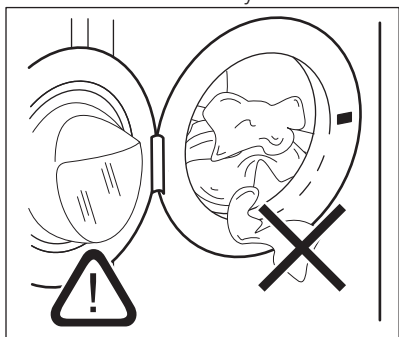
10. DAILY USE

10.1 Loading the laundry

1. Open the appliance door
2. Put the laundry in the drum, one item at a time.
3. Shake the items before you put them in the appliance.

Make sure not to put too much laundry in the drum.

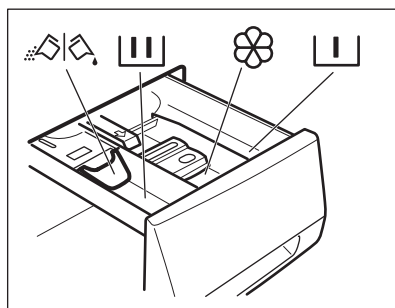
4. Close the door firmly.







CAUTION!

Make sure that no laundry stays between the seal and the door. There is a risk of water leakage or damage to the laundry.

10.2 Filling the detergent and additives

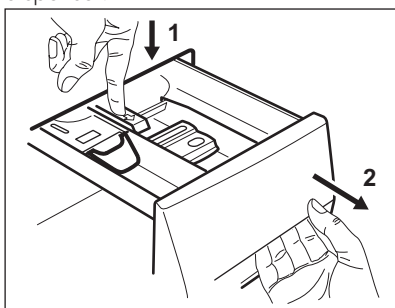


-  Compartment for prewash phase, soak programme or stain remover.
-  Compartment for washing phase.
-  Compartment for liquid additives (fabric conditioner, starch).
- MAX** Maximum level for quantity of liquid additives.
-  Flap for powder or liquid detergent.

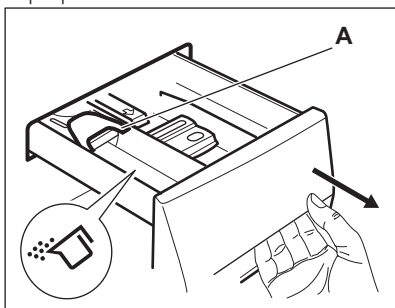
- i** Always obey the instructions that you find on the packaging of the detergent products.

10.3 Check the position of the flap

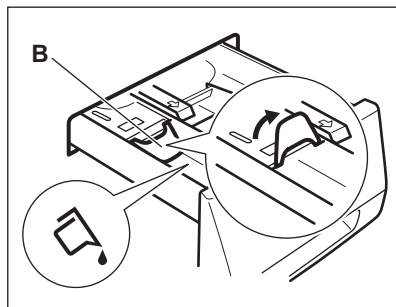
1. Pull out the detergent dispenser until it stops.
2. Press the lever down to remove the dispenser.



3. To use powder detergent, turn the flap up.



4. To use liquid detergent, turn the flap down.



i **With the flap in the position DOWN:**

- Do not use gelatinous or thick liquid detergents.
 - Do not put more liquid detergent than the limit showed in the flap.
 - Do not set the prewash phase.
 - Do not set the delay start function.
5. Measure out the detergent and the fabric conditioner.
 6. Carefully close the detergent dispenser.

Make sure that the flap does not cause a blockage when you close the drawer.

10.4 Activating the appliance


1. Open the water tap.
2. Connect the mains plug to the mains socket.
3. Press button Aan/Uit to activate the appliance.

A short tune sounds.

10.5 Setting a programme

1. Turn the programme knob and set the programme:
 - The indicator of Start/Pauze flashes.
 - The display shows the programme duration.
2. If necessary, change the temperature, the spin speed, the cycle duration, or add available options. When you activate an

option, the indicator of the set option comes on.

-  If you set something incorrect, the display shows the message **Err**.


10.6 Starting a programme without the delay start

Press button Start/Pauze to start the programme.


The relevant indicator stops to flash and stays on.

The programme starts, the door is locked. The display show the indicator



-  The drain pump can operate for a short time when the appliance fills water.

10.7 Behaviour of the appliance

-  After approximately 15 minutes from the start of the programme:
- The appliance adjusts automatically the cycle time to the laundry you have put in the drum to have perfect washing results in the minimum necessary time.
 - The display shows the new time value.


10.8 Starting a programme with the delay start

1. Press button Startuitstel again and again until the display shows the delay you want to set.

2. Press button Start/Pauze.


The appliance starts the countdown of the delay start.

When the countdown is completed, the programme starts automatically.

-  Before you press button Start/Pauze to start the appliance, you can cancel or change the set of the delay start.

10.9 Cancelling the delay start

To cancel the delay start:

1. Press button Start/Pauze to set the appliance to pause. The related indicator flashes.
2. Press button Startuitstel repeatedly until the display shows .
3. Press button Start/Pauze again to start the programme immediately.


10.10 Interrupting a programme and changing a function

You can change only some options before they operate.

1. Press button Start/Pauze. The related indicator flashes.
2. Change the function set.
3. Press the button Start/Pauze again. The programme continues.

10.11 Cancelling a running programme

1. Turn the programme knob to **Stop** to cancel the programme.
2. Turn again the programme knob to a new washing programme. At this time you can also set the available functions.

-  Before starting the new programme the appliance could drain the water. In this case, make sure that the detergent is still in the detergent compartment, if not fill the detergent again.

10.12 Opening the door when the programme operates



CAUTION!

If the temperature and level of the water in the drum are too high, the door lock

indicator  stays on and you cannot open the door.

To open the door proceed as follows:

1. Press the button Aan/Uit for some seconds to deactivate the appliance.
2. Wait for some minutes and then open carefully the appliance door.
3. Close the appliance door.
4. Activate the appliance and set the programme again.

10.13 Opening the door when the delay start is active

While the delay start operates, the appliance door is locked.

To open the appliance door:

1. Press button Start/Pauze.



In the display the door lock indicator  goes off.

2. Open the appliance door.
3. Close the door and press button Start/Pauze.

The delay start continues.

10.14 End of cycle

When the programme has finished, the appliance stops automatically. The acoustic signal operates (if it is active).

In the display  comes on and the door locked indicator  goes off.

The indicator of Start/Pauze button goes off.

1. Press button Aan/Uit to deactivate the appliance.

After five minutes from the end of the programme, the energy saving function automatically deactivates the appliance.




When you activate the appliance again, the display show the end of the last set programme. Turn the programme knob to set a new cycle.

2. Remove the laundry from the appliance.
3. Make sure that the drum is empty.
4. Keep the door ajar, to prevent mildew and odours


10.15 Draining water out after end of cycle

The washing programme is completed, but there is water in the drum:

The drum turns regularly to prevent the creases in the laundry.

The door lock indicator  is on. The door stays locked.

You must drain the water to open the door:

1. If necessary, decrease the spin speed.
2. Press the Start/Pauze button. The appliance drains the water and spins.
3. When the programme is completed and the door lock indicator  goes off, you can open the door .
4. Press Aan/Uit some seconds to deactivate the appliance.



The appliance drains and spins automatically after approximately 18 hours.

10.16 AUTO Stand-by option

The AUTO Stand-by function automatically deactivates the appliance to decrease the energy consumption when:

- You do not use the appliance for 5 minutes before you press Start/Pauze button.
Press the button Aan/Uit to activate the appliance again.
- After 5 minutes from the end of the washing programme
Press the button Aan/Uit to activate the appliance again.
The display shows the end of the last set programme.
Turn the programme knob to set a new cycle.



If you set a programme or an option that ends with water in the drum, the AUTO Stand-by function **doesn't deactivate** the appliance to remind you to drain the water.

11. HINTS AND TIPS



WARNING!

Refer to Safety chapters.

11.1 The laundry load

- Divide the laundry in: white, coloured, synthetics, delicates and wool.
- Obey the washing instructions that are on the laundry care labels.
- Do not wash together white and coloured items.
- Some coloured items can discolour with the first wash. We recommend that you wash them separately for the first times.
- Button up pillowcases, close zippers, hooks and poppers. Tie up belts.
- Empty the pockets and unfold the items.
- Turn inside out multilayered fabrics, wool and items with painted illustrations.
- Remove hard stains.
- Wash with a special detergent heavy soil stains.
- Be careful with the curtains. Remove the hooks or put the curtains in a washing bag or pillowcase.
- Do not wash in the appliance laundry without hems or with cuts. Use a washing bag to wash small and/or delicate items (e.g. underwired bras, belts, tights, etc.).
- A very small load can cause balance problems with the spin phase. If this occurs, adjust manually the items in the tub and start the spin phase again.

11.2 Stubborn stains

For some stains, water and detergent is not sufficient.

We recommend that you remove these stains before you put the items in the appliance.

Special stain removers are available. Use the special stain remover that is applicable to the type of stain and fabric.

11.3 Detergents and additives

- Only use detergents and additives specially made for washing machines:
 - powder detergents for all types of fabric,
 - powder detergents for delicate fabrics (40 °C max) and woollens,
 - liquid detergents, preferably for low temperature wash programmes (60 °C max) for all types of fabric, or special for woollens only.
- Do not mix different types of detergents.
- To help the environment, do not use more than the correct quantity of detergent.
- Obey the instructions that you find on the on packaging of these products.
- Use the correct products for the type and colour of the fabric, the programme temperature and the level of soil.
- If your appliance has not the detergent dispenser with the flap device, add the liquid detergents with a dosing ball (supplied by the detergent's manufacturer).

11.4 Ecological hints

- Set a programme without the prewash phase to wash laundry with normal soil.
- Always start a washing programme with the maximum load of laundry.
- If necessary, use a stain remover when you set a programme with a low temperature.
- To use the correct quantity of the detergent, check the water hardness of your domestic system

11.5 Water hardness

If the water hardness in your area is high or moderate, we recommend that you use a water softener for washing machines. In areas where the water hardness is soft it is not necessary to use a water softener.

To know the water hardness in your area, contact your local water authority.

Use the correct quantity of the water softener. Obey the instructions that you find on the packaging of the product.

12. CARE AND CLEANING



WARNING!
Refer to Safety chapters.

12.1 External cleaning

Clean the appliance only with soap and warm water. Fully dry all the surfaces.



CAUTION!
Do not use alcohol, solvents or chemical products.

12.2 Descaling

If the water hardness in your area is high or moderate, we recommend that you use a water descaling product for washing machines.

Regularly examine the drum to prevent limescale and rust particles.

To remove rust particles use only special products for washing machine. Do this separately from the laundry wash.



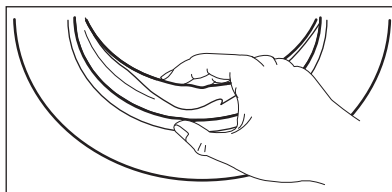
Always obey the instructions that you find on the packaging of the product.

12.3 Maintenance wash

With the low temperature programmes it is possible that some detergent stays in the drum. Make regularly a maintenance wash. To do this:

- Remove the laundry from the drum.
- Set the cotton programme with the highest temperature with a small quantity of detergent.

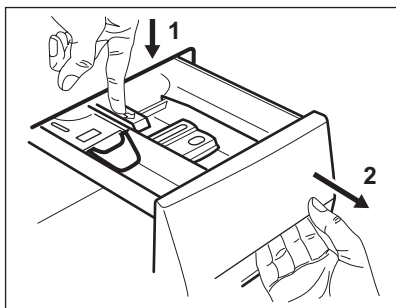
12.4 Door seal



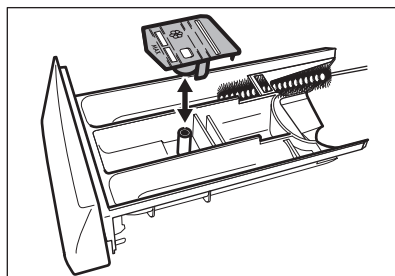
Regularly examine the seal and remove all objects from the inner part.

12.5 Cleaning the detergent dispenser

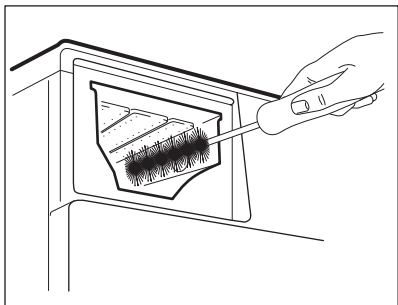
1.



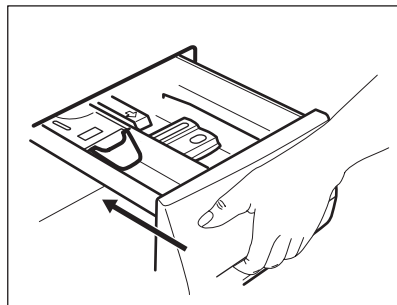
2.



3.



4.

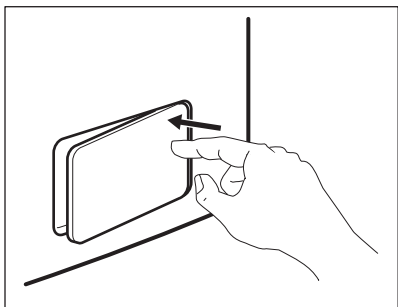


12.6 Cleaning the drain filter

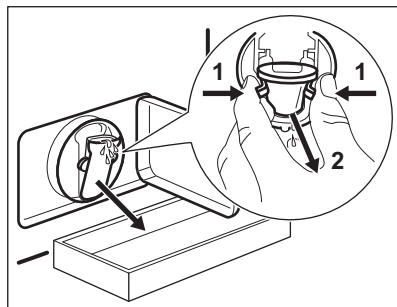


Do not clean the drain filter if the water in the appliance is hot.

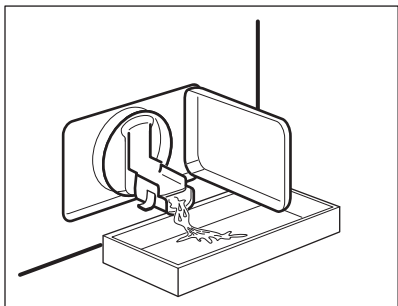
1.



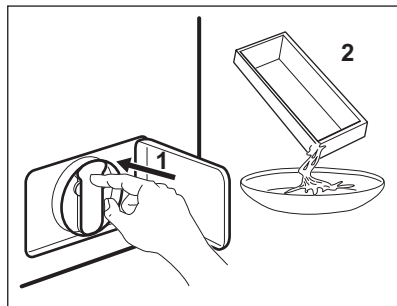
2.



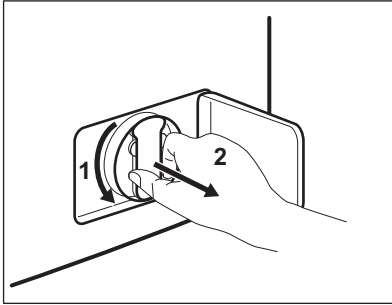
3.



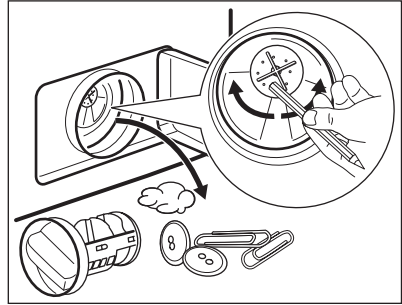
4.



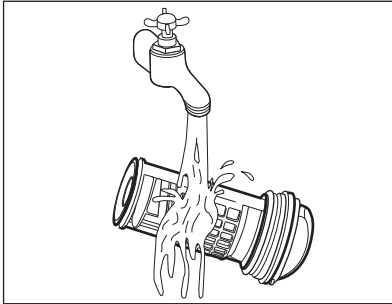
5.



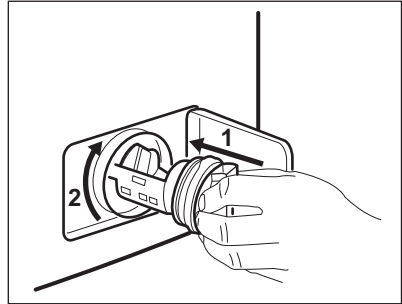
6.



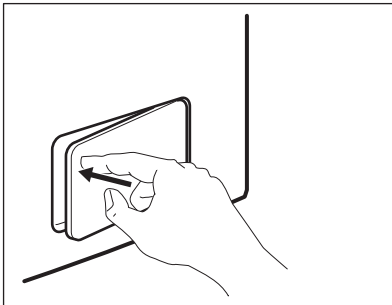
7.



8.

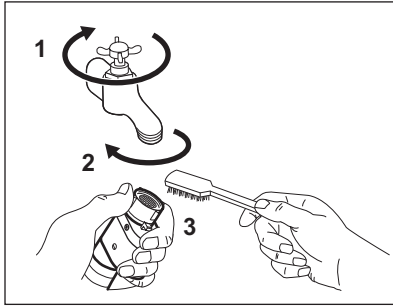


9.

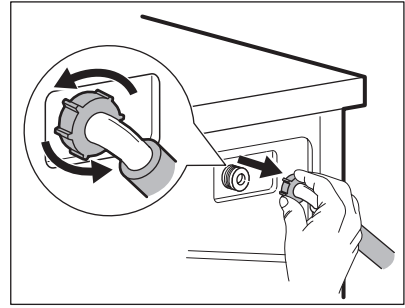


12.7 Cleaning the inlet hose and the valve filter

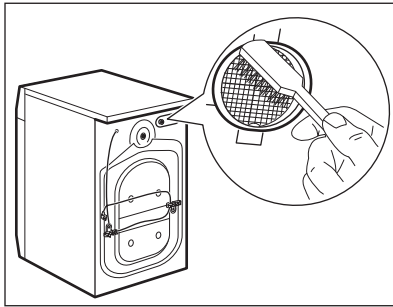
1.



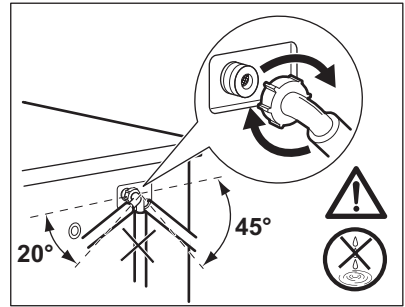
2.



3.



4.



13. TROUBLESHOOTING



WARNING!
Refer to Safety chapters.

13.1 Introduction

The start of the appliance does not occur or it stops during operation.

First try to find a solution to the problem (refer to the table). If not, contact the Authorised Service Centre.

With some problems, the acoustic signals operate and the display shows an alarm code:

- **E10** - The appliance does not fill with water properly.

- **E20** - The appliance does not drain the water.
- **E40** - The appliance door is open or not closed correctly. Please check the door!
- **E40** - The mains supply is unstable. Wait until the mains supply is stable.
- **E91** - No communication between electronic elements of the appliance. Switch off and switch on again.



WARNING!
Deactivate the appliance before you do the checks.

13.2 Possible failures

Problem	Possible solution
The programme does not start.	Make sure that the mains plug is connected to the mains socket.
	Make sure that the appliance door is closed.
	Make sure that there is not a damaged fuse in the fuse box.
	Make sure that the Start/Pause has been pressed.
	If the delay start is set, cancel the setting or wait for the end of countdown.
	Deactivate the Child Lock function if it is on.
The appliance does not fill with water properly.	Make sure that the water tap is open.
	Make sure that the pressure of the water supply is not too low. For this information, contact your local water authority.
	Make sure that the water tap is not clogged.
	Make sure that the filter of the inlet hose and the filter of the valve are not clogged. Refer to "Care and cleaning".
	Make sure that the inlet hose has no kinks or bends.
	Make sure that the connection of the water inlet hose is correct.
The appliance does not fill with water and drain immediately.	Make sure that the drain hose is in the correct position. The hose may be too low.
The appliance does not drain the water.	Make sure that the sink spigot is not clogged.
	Make sure that the drain hose has no kinks or bends.
	Make sure that the drain filter is not clogged. Clean the filter, if necessary. Refer to 'Care and cleaning'.
	Make sure that the connection of the drain hose is correct.
	Set the drain programme if you set a programme without drain phase.
	Set the drain programme if you set an option which ends with water in the tub.
The spin phase does not operate or the washing cycle lasts longer than usually.	Set the spin programme.

Problem	Possible solution
	Make sure that the drain filter is not clogged. Clean the filter, if necessary. Refer to 'Care and cleaning'.
	Adjust manually the items in the tub and start the spin phase again. This problem may be caused by balance problems.
There is water on the floor.	Make sure that the couplings of the water hoses are tight and there is not water leakages.
	Make sure that the drain hose have no damages.
	Make sure you use the correct detergent and the correct quantity of it.
You cannot open the appliance door.	Make sure that the washing programme is finished.
	Set the drain or the spin programme if there is water in the drum.
The appliance makes an unusual noise.	Make sure the levelling of the appliance is correct. Refer to 'Installation'.
	Make sure that the packaging and/or the transit bolts are removed. Refer to 'Installation'.
	Add more laundry in the drum. The load may be too small.
The cycle is shorter than the time displayed.	The appliance calculates a new time according to the laundry load. See the 'Consumption Values' chapter.
The cycle is longer than the time displayed.	An unbalanced laundry load increases the duration time. This is a normal behaviour of the appliance.
The washing results are not satisfactory.	Increase the detergent quantity or use a different detergent.
	Use special products to remove the stubborn stains before you wash the laundry.
	Make sure that you set the correct temperature.
	Decrease the laundry load.
You cannot set an option.	Make sure that you press only the wanted button(s).

After the check, activate the appliance. The programme continues from the point of interruption.

If the problem occurs again, contact the Authorised Service Centre.


If the display shows other alarm codes. Deactivate and activate the appliance. If the problem continues, contact the Authorised Service Centre.


14. TECHNICAL DATA

Dimension	Width/ Height/ Depth/ Total depth	600 mm/ 850 mm/ 522 mm/ 555 mm
Electrical connection	Voltage	230 V
	Overall power	2200 W
	Fuse	10 A
	Frequency	50 Hz
Level of protection against ingress of solid particles and moisture ensured by the protective cover, except where the low voltage equipment has no protection against moisture		IPX4
Water supply pressure	Minimum	0,5 bar (0,05 MPa)
	Maximum	8 bar (0,8 MPa)
Water supply ¹⁾		Cold water
Maximum Load	Cotton	7 kg
Energy Efficiency Class		A+++
Spin Speed	Maximum	1400 rpm (L 62470 NFL)
		1600 rpm (L 62670 NFL)

¹⁾ Connect the water inlet hose to a water tap with a 3/4" thread.

15. ENVIRONMENT CONCERNS

Recycle the materials with the symbol . Put the packaging in applicable containers to recycle it. Help protect the environment and human health and to recycle waste of electrical and electronic appliances. Do not dispose appliances

marked with the symbol  with the household waste. Return the product to your local recycling facility or contact your municipal office.

www.aeg.com/shop



132899650-A-182015



 **AEG**
perfekt in form und funktion