

D-200

► Instruction guide



THE
DIGITAL
EVOLUTION

 **MIDLAND**[®]

Index

<u>The radio becomes Digital</u>	3
Content	5
Main characteristics	5
<u>Main controls and parts of the radio</u>	6
<u>Operations</u>	8
Battery recharge	8
Power on/off and volume adjustment	8
Transmission	8
Scan	9
Squelch	10
Voice	10
<u>Digital mode functions</u>	11
Group and individual call	11
Scrambler	11
<u>Maintenance</u>	11
<u>Troubleshooting</u>	12
<u>Technical specifications</u>	14

The radio becomes Digital

Midland D-200, the radio becomes digital!

D-200 is an analog/digital transceiver operating on the 446 MHz frequency. It's an innovative equipment that allows to communicate with two different communication protocols: **DPMR446** and **PMR446**.

The digital brings many advantages and offers new important functionalities: first of all, the **quality of the communication** is much clearer and this allows you to hear limp conversations at a greater distance than the analog system.

Another remarkable feature is the **audio digital processing** that considerably reduces the sensitivity to noises, such as the opening of the squelch or interferences.

Furthermore, the digital band is really new and therefore it is not so overcrowded like the standard analog band but more accessible.

Digital radios offer a range of innovative features: let's start for example from the number of channels that is double – 16 – than a standard PMR446; digital radios also give the possibility to make **individual and group calls**.

In particular, **D-200** is equipped with 3 customizable buttons with which you can make 3 different types of calls: standard, individual and group calls.

Another function to emphasize is the powerful digital scrambler that makes communications impossible to be intercepted by prying ears and ensures maximum privacy in conversations. The scrambler can be enabled/disabled through the optional programming software.

D-200 is free use in almost all European countries.

For further information we suggest you look at the "Restrictions on the use" chart.

Programming software (optional)

Thanks to Midland Programming software **PRG-10**, it is possible to increase the performance of your radio or to reduce its functionality by disabling some of the default features (CTCSS/DCS, Vox, Voice, Scrambler...)

For further information, please consult the Programming software manual.

Any attempt to change frequencies or output power of the radio invalidates the approval.

Content

- 1 D-200 transceiver
- 1 belt clip
- 1 wall adaptor
- 1 1800mAh Li-ion rechargeable battery pack
- 1 desktop charger

Main characteristics

- Digital/analog communication protocol
- Pre-programmed 8 analog + 8 digital channels
- Digital scrambler 32bit*
- Digital individual/group call
- Digital selective filter 6,25KHz
- 166 DCS codes + 52 CTCSS tones (analog band)
- Vocal announcement
- Scan, VOX*
- High-capacity Li-Ion battery pack 1800mAh
- 2pin Kenwood accessory socket
- Digital Audio System

* through optional programming software

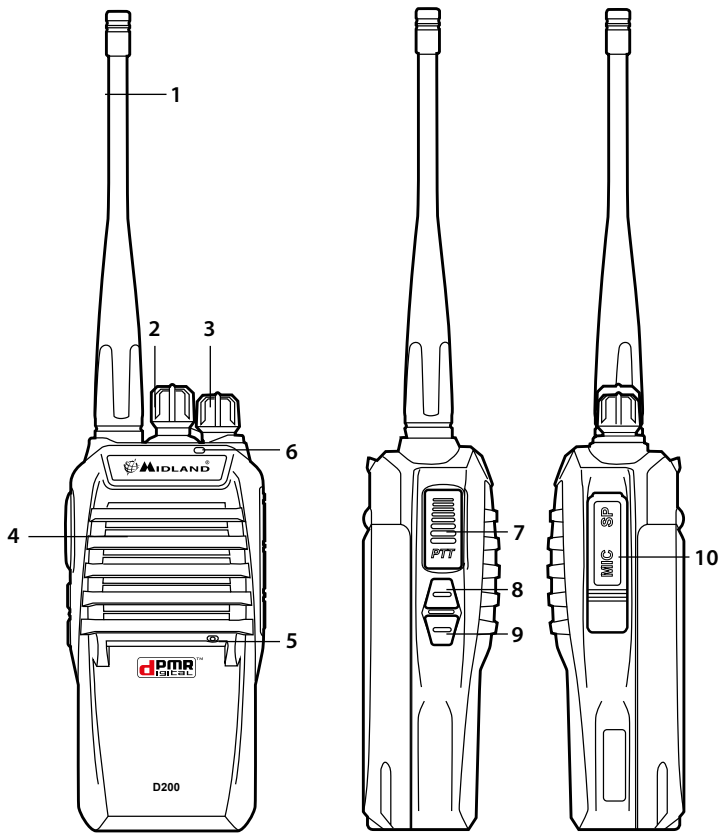
COVERAGE/RANGE

The maximum range depends on terrain condition and is obtained during use in an open space.

The only limitation to maximum possible range are environmental factors such as blockage caused by trees, buildings, or other obstructions. Inside a car or a metallic construction, the range can be reduced. Normally the coverage in the city, with buildings or other obstructions is about **1 or 2 Km**. In open space but with obstructions like trees, leaves or houses the maximum possible range is about **4-6 Km**. In open space, without obstructions and in sight, like for example in mountain, the coverage can be more than **12 Km**.

Main controls and parts of the radio

1. **Antenna**
2. **Encoder:** rotate clockwise or counter-clockwise to select the desired channel.
In **PMR446** channels the radio will confirm the selection with a beep.
DPMR446: in DPMR446 channels no beep will be heard. This sound message can be disabled through the programming software.
3. **Power/volume knob-** turn clockwise to power on and increase the volume level. Turn counter-clockwise to decrease the volume level and power off.
4. **Speaker**
5. **Built-in microphone**
6. **Led indicator:**
RED: TX; GREEN: RX.
7. **PTT:** press this button to transmit and release it to receive.
DPMR446: in DPMR446 channels the pressure of the PTT button corresponds to the group call. By means of the programming software, you can match the pressure of the PTT to the sending of the standard call (call to All).
8. **Function key 1:** Hold down this button to activate the Monitor function (PMR446 channels).
DPMR446: in DPMR446 channels the pressure of this key enables the single call sending. To transmit, keep it pressed.
9. **Function key 2:** not programmed by default (PMR446 channels).
DPMR446: in DPMR446 channels if you hold down this key, D-200 will send a call to the group you belong (group call).
10. **External Speaker/Mic Jack-** allows the connection with external devices such as headsets, microphones.



Operations

Battery recharge

D-200 is equipped for using a 7,4V Li-ion rechargeable battery pack which can be recharged by connecting the socket of the AC/DC wall adaptor to a mains power socket and inserting the jack of the wall adaptor into the desktop charger plug.

It takes 6 hours to fully recharge the radio.

For maximum battery life, we recommend charging the battery pack when the **D-200** is off and the battery pack is fully discharged.

! Using a different battery charger other than the one specified can cause damage to your device or may even cause explosions and personal injuries.

The **Battery power saving** feature enables a reduction in consumption of up to 50%. If it has been set, it automatically activates when the transceiver does not receive any signal for more than 5 seconds in order to save the battery life. Power saving can be disabled only through the Programming software.

Power on/off and volume adjustment

Rotate the **Power/Volume knob** clockwise to turn the radio on.

Rotate the control clockwise /counter-clockwise to adjust the volume level as you prefer.

To turn the radio off, rotate the control counter-clockwise till you hear a mechanical "click".

Transmission

To communicate, all radios in your group must be set to the same channel.

DPMR446: we underline that in the digital protocol you can communicate only with radios having the same vocoder (voice encoder).

The vocoder is an electronic system inside the radio that is able to decode audio signals. **D-200** uses **AMBE 2C vocoder**.

In **PMR446 mode** briefly press the **Function key 1** to enable the Monitor feature in order to make sure that the frequency is not busy, then press the **PTT** button.

In **DPMR446** mode before transmitting check that the led is not green: this means that someone is transmitting in DPMR to another user even though you can't hear the conversation. To transmit press **PTT** or **Function Key 1 or 2**.

For a maximum clarity, hold the device at a distance of about 4/10 cm. Release the **PTT** key to receive.

Only one user at a time can talk during radio communications. Therefore, it is important not to transmit when you are receiving a communication and use the transmission mode sparingly to allow other users to talk.

Transmission consumes a significant amount of energy and should therefore be used sparingly to prolong the battery life.

*In **PMR446 mode** if you are unable to contact a station that you have no problems in receiving, the station may be using CTCSS tones or DCS codes.*

Monitor (for PMR446 channels only)

The Monitor feature is for excluding (opening) the Squelch, in order to listen to signals that are too weak to keep the Squelch permanently open. Hold down the **Function key 1** to enable such function.

Scan

This function can be activated only by means of the optional programming software.

To enable the Scan function, all 16 channels must be programmed.

If you turn on the radio on channel 16, the scanning will automatically start.

You will hear a beep as confirmation.

Whenever any signal is detected, the scanning will stop on a busy channel.

If you press **PTT** or **Function Key 1/Function Key 2** (in DPMR channels only), you will transmit on the latest busy channel.

Channel 16 is the priority channel, therefore if you don't pick up any signal when you press **PTT**, the radio will transmit on channel 16.

Squelch

The Squelch function suppresses noises on free channels and allows to receive even weak signals.

D-200 has 10 different Squelch levels that can be set by programming software: 0 means that the Squelch is turned off; from **level 1 to level 9** you will have different levels of noise reduction. The higher is the level, the louder will be the Squelch.

By default, the Squelch level of **D-200** is set on level 6.

Make sure you do not set an excessively high squelch level because in this case you may not be able to receive weaker signals. On the other hand an excessively low Squelch value could enable the Squelch even when no signals are present.

Squelch must always be adjusted when no signals are present (in PMR446 channels).

Voice

With this function the radio emits a vocal announcement indicating the channel that you have just selected by rotating the channel knob. The vocal announcement can be enabled through the programming software.

Digital mode functions

Group and individual call

With **D-200** you can create communication groups. By means of the function keys you can send a call to a single user (individual call) or to other parties belonging to your group (group call).

These calls can be enabled through the programming software.

Scrambler

The scrambler guarantees the utmost privacy and makes your conversations unintelligible to users that do not belong to your network.

It can be activated/deactivated by using the programming software.

Maintenance

Your **D-200** was designed to fulfill any warranty obligations and to enjoy this product for many years.

As for all the electrical devices, we recommend you to follow these few suggestions:

- Do not attempt to open the unit. Non-expert handling of the unit may damage it and/or annul the warranty.
- When using regulated power supply, take notice of power voltage, that must be between 6V and 8V to avoid damages.
- High temperatures can shorten the life of electronic devices, and warp or melt certain plastics. Do not store the radio in dusty or dirty areas.
- Keep the Radio dry. Rainwater or damp will corrode electronic circuits.
- Do not transmit without antenna.

Troubleshooting

Problem	Possible Cause	Solution
The radio doesn't switch on	The battery pack is discharged and/or has not been installed correctly.	Verify that the battery pack is charged and that it has been correctly installed.
The radio switches off shortly after it has been switched on	Discharged battery pack.	Recharge the battery pack.
The battery pack does not recharge	The battery-charger has not been connected or installed correctly.	Inspect the connections of the battery-charger and the installation of the batteries.
The radio switches on but is unable to receive signals	The site of installation is too shielded.	Move to an another area.
	The volume is too low	Adjust the volume level.
	Incorrect CTCSS or DCS	Check that the CTCSS tone or DCS code corresponds to the one set by the parties you are communicating with.
It is not possible to communicate with other parties	An incorrect radio channel has been selected.	Select the same radio channel used by the parties you are communicating with.
	The radio is installed in a shielded area or is too far from the party you are communicating with	Move to another area.

Problem	Possible Cause	Solution
It is not possible to communicate with other parties	Incorrect CTCSS or DCS	Check that the CTCSS tone or DCS code corresponds to the one set by the parties you are communicating with.
Reception is fragmented and/or disturbed	The signal is very weak.	Try temporarily disabling the Squelch by means of the Monitor feature.
	The transmission distance is excessive and/or there are obstacles in the transmission path	Move closer to the party you are communicating with or to another area.
	Other parties are using the same channel	Check the traffic on the radio channel by means of the Monitor feature and select another channel if required.
	The radio has been installed too close to equipment that causes interference (televisions, computers, etc.)	Increase the distance between the radio and this equipment.
The autonomy of the battery pack is limited	Transmission time is too high.	Try reducing the transmission time and/or using a low power.

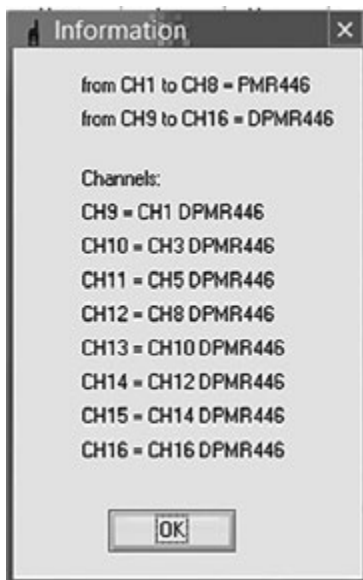
Technical specifications

General	
Frequency range	446.00625- 446.09375 MHz (PMR446) 446.103125-446.196875 MHz (DPMR446)
Working temperature	-20°/+55° C
Operating voltage	7.4V
Operate mode	Simplex
Dimensions	126x59x40mm (without antenna)
Weight	2302g (Battery pack included)
Antenna impedance	50Ω
Duty cycle	5/5/90%
Vocoder	AMBE 2C
Category	B
Transmitter	
Frequency stability	±2.5PPM
Output power	≤500mW ERP
Max frequency deviation	≤2,5KHz
Audio distortion	≤3%
Adjacent channel power	< 60 dB
Spurious radiation	Within European legal terms
Occupied bandwidth	Within European legal terms
Receiver	
RF sensibility	<0.2UUV@20 dB SINAD
Audio distortion	≤3%
Audio response	300Hz ÷ 3KHz
Adjacent channel selectivity	Within European legal terms
Intermodulation rejection	Within European legal terms
Spurious response	Within European legal terms
Blocking	Within European legal terms

Specifications are subject to change without notice.

WARNING: Direct plug-in ac/dc power supply must be used for disconnecting the transceiver from the mains; the desktop charger must be positioned close to the unit and easily accessible.

The radio is set by default on 8 PMR446 channels /8 DPMR446 channels according to the following chart:





INFORMAZIONE AGLI UTENTI: Ai sensi dell'art. 13 del decreto legislativo 25 luglio 2005, n.151 "Attuazione delle Direttive 2002/95/CE, 2002/96/CE e 2003/108/CE, relative alla riduzione dell'uso di sostanze pericolose nelle apparecchiature elettriche ed elettroniche, nonché allo smaltimento dei rifiuti". Il simbolo del cassonetto barrato riportato sull'apparecchiatura indica che il prodotto alla fine della propria vita utile deve essere raccolto separatamente dagli altri rifiuti. L'utente dovrà, pertanto, conferire l'apparecchiatura giunta a fine vita agli idonei centri di raccolta differenziata dei rifiuti elettronici ed elettrotecnici, oppure riconsegnarla al rivenditore al momento dell'acquisto di una nuova apparecchiatura di tipo equivalente, in ragione di uno a uno. L'adeguata raccolta differenziata per l'avvio successivo dell'apparecchiatura dismessa al riciclaggio, al trattamento e allo smaltimento ambientalmente compatibile contribuisce ad evitare possibili effetti negativi sull'ambiente e sulla salute e favorisce il riciclo dei materiali di cui è composta l'apparecchiatura. Lo smaltimento abusivo del prodotto da parte dell'utente comporta l'applicazione delle sanzioni amministrative di cui al dlgs. n.22/1997 (articolo 50 e seguenti del dlgs. n.22/1997).

All articles displaying this symbol on the body, packaging or instruction manual of same, must not be thrown away into normal disposal bins but brought to specialised waste disposal centres. Here, the various materials will be divided by characteristics and recycles, thus making an important contribution to environmental protection.



Alle Artikel, die auf der Verpackung oder der Gebrauchsanweisung dieses Symbol tragen, dürfen nicht in den normalen Mülltonnen entsorgt werden, sondern müssen an gesonderten Sammelstellen abgegeben werden. Dort werden die Materialien entsprechend ihrer Eigenschaften getrennt und, um einen Beitrag zum Umweltschutz zu liefern, wiederverwertet.

Todos los artículos que exhiban este símbolo en el cuerpo del producto, en el embalaje o en el manual de instrucciones del mismo, no deben ser desechados junto a los residuos urbanos normales sino que deben ser depositados en los centros de recogida especializados. En estos centros, los materiales se dividirán en base a sus características y serán reciclados, para así poder contribuir de manera importante a la protección y conservación del medio ambiente.

Tous les articles présentant ce symbole sur le corps, l'emballage ou le manuel d'utilisation de celui-ci ne doivent pas être jetés dans des poubelles normales mais être amenés dans des centres de traitement spécialisés. Là, les différents matériaux seront séparés par caractéristiques et recyclés, permettant ainsi de contribuer à la protection de l'environnement.

Όλα τα προϊόντα στα οποία εμφανίζεται το ακόλουθο σύμβολο στο σώμα, τη συσκευασία ή το εγχειρίδιο χρήσης τους, δεν πρέπει να εναποθέτονται στους κοινούς κάδους απορριμάτων αλλά να προσκομίζονται στα ειδικά κέντρα αποκομιδής. Εκεί, τα διάφορα υλικά θα πρέπει να διαχωρίζονται ανάλογα με τα χαρακτηριστικά και τα ανακυκλούμενα υλικά, συμμετέχοντας έτσι ουσιαστικά στην προστασία του περιβάλλοντος.

RTTE

I / RSM

Cte International Srl dichiara che il prodotto è conforme ai requisiti essenziali e alle disposizioni della Direttiva 1999/5/CE. La Dichiarazione di conformità si può scaricare dal sito www.midlandeurope.com

UK / CY / M

Hereby Cte International Srl declares that this product is in compliance with the essential requirements and other relevant provisions of Directive 1999/5/EC. The declaration of conformity is available on the web site www.midlandeurope.com

A / D / CH / FL

Hiermit erklärt Cte International Srl, dass das Produkt die grundlegenden Anforderungen und anderen relevanten Bestimmungen der Richtlinie 1999/5/EC erfüllt. Die Konformitätserklärung ist unter folgendem Link verfügbar: www.midlandeurope.com

E

CTE International SRL. declara, bajo su responsabilidad, que este aparato cumple con lo dispuesto en la Directiva 99/05/CE, del Parlamento Europeo y del Consejo de 9 de marzo de 1999, transpuesta a la legislación española mediante el Real Decreto 1890/2000, de 20 de noviembre. La Declaración de Conformidad está disponible en www.midlandeurope.com

com

F / LUX / CH

Par la présente Cte International Srl déclare que le modèle est conforme aux exigences essentielles et autres dispositions pertinentes de la directive 1999/5/EC. La déclaration de conformité est disponible sur le site internet www.midlandeurope.com

P

A CTE INTERNATIONAL declara que este aparelho cumpre com o disposto na Directiva 1999/5/CE do Parlamento Europeu e do Conselho de 9 de Março de 1999, transposta para a legislação nacional pelo Decreto-Lei n.º 192/2000, de 18 de Agosto. A Declaração de Conformidade está disponível no sitio na Internet em www.midlandeurope.com

GR

Με το παρών, η Cte International Srl δηλώνει ότι το όνομα του μοντέλου συμμορφώνεται ως προς τις βασικές απαιτήσεις και άλλες σχετικές διατάξεις του Κανονισμού 1999/5/EC. Η δήλωση συμμόρφωσης είναι διαθέσιμη στην ιστοσελίδα www.midlandeurope.com

NL

Hierbij verklaard CTE International Srl dat dit model (-naam) voldoet aan de essentiële eisen en andere relevante bepalingen van richtlijn 1999/5/EG. De verklaring van conformiteit is beschikbaar op de website www.midlandeurope.com

BE

CTE INTERNATIONAL Srl verklaart dat het product overeenstemt met de voorschriften en andere bepalingen van de richtlijn 1999/5 EC. De conformiteitsverklaring is voorhanden op de website www.midlandeurope.com

PL

CTE International Srl deklaruje, że ten model jest zgodny z wymaganiami zasadniczymi i innymi istotnymi postanowieniami Dyrektywy 1999/5/EC. Deklaracja Zgodności jest dostępna na stronie www.midlandeurope.com

RO

Cte International Srl declara ca acest model este in conformitate cu cerintele esentiale si alte prevederi ale Directivei 1999/5/EC. Declaratia de conformitate este disponibila si pe site-ul www.midlandeurope.com.

BG

С настоящото CTE international Srl декларира, че продукта е в съответствие с основните изисквания и съответните модификации на Директива 1999/5/EC. Декларацията за съвместимост е налична на сайта: www.midlandeurope.com

N

CTE INTERNATIONAL Srl erklærer at produktet er i overensstemmelse med de viktigste kravene og andre relevante betingelser i Direktivet 1999/5/EF. Samsvarserklæringen finnes tilgjengelig på nettstedet www.midlandeurope.com

DK

Hermed erklærer Cte International Srl, at dette apparat er i overensstemmelse med kravene og andre relevante bestemmelser i direktiv 1999/5 / EF. Overensstemmelseserklæringen findes på webstedet www.midlandeurope.com

SE

CTE INTERNATIONAL Srl förkunnar att produkten överensstämmer med de väsentliga kraven och övriga bestämmelser i direktiv 1999/5/EG. Denna försäkran om överensstämmelse finns på webbplatsen www.midlandeurope.com

FIN

CTE INTERNATIONAL Srl vakuuttaa, että tuote täyttää direktiivin 1999/5/EY asettamat olennaiset vaatimukset ja muut asiaa koskevat määräykset. Vaatimuksen mukaisuusvakuutus on saatavilla www.midlandeurope.com – verkkosivuilla.

HR

Cte International Srl ovime izjavljuje da je ime ovog modela u suglasnosti sa bitnim zahtjevima te ostalih relevantnih odredbama Propisa 1999/5/EC. Ova Izjava o suglasnosti je dostupna na web stranici www.midlandeurope.com.

ES

Käesolevaga kinnitab Cte International Srl selle mudeli vastavust direktiivi 1999/5/EC olulistele nõuetele ja teistele asjakohastele sätetele. Vastavusdeklaratsioon on kättesaadav veebilehel www.midlandeurope.com

LT

CTE International patvirtina, kad šis modelis atitinka visus esminius Direktyvos 1999/5/EC bei su ja susijusių dokumentų reikalavimus. Atitikties deklaracija yra pateikiama internetinėje svetainėje www.midlandeurope.com

LV

CTE INTERNATIONAL Srl deklarē, ka produkts atbilst pamatprasībām un citiem ar to

saistītajiem Direktīvas 1999/5/EK noteikumiem. Atbilstības deklarācija ir pieejama mājas lapā: www.midlandeurope.com

SK

Týmto Cte International Srl prehlasuje, že tento názov model je v zhode so základnými požiadavkami a ďalšími príslušnými ustanoveniami smernice 1999/5 / ES. Vyhlásenie o zhode je k dispozícii na webových stránkach www.midlandeurope.com

SL

Cte International Srl deklarira da je ta model skladen z bistvenimi zahtevami in drugimi relevantnimi določili EU direktive 1999/5/EC. Deklaracija o skladnosti je na voljo na spletni strani www.midlandeurope.com

CZ

CTE INTERNATIONAL SRL prohlašuje, že výrobek je v souladu s 1999/5 / ES. Prohlášení o shodě je k dispozici na webových stránkách www.midlandeurope.com

H

Mi, a CTE International Srl. saját felelősségre kijelentjük, hogy ezen elnevezésű termék megfelel az 1999/5/EC alapvető követelményeinek és egyéb releváns előírásoknak. A megfelelőségi nyilatkozat elérhető weboldalunkon a www.midlandeurope.com címen.

SAR

I / RSM

Importante: L'apparato deve essere utilizzato ad una distanza superiore a 20 cm dal corpo

UK / CY / IRL / M

Important: The equipment must be used at a distance greater than 20cm from the body.

A / D / CH / FL

Wichtig: Bei Verwendung des Gerätes muss ein Abstand von mehr als 20 cm zum Körper eingehalten werden.

BE

Belangrijk: De apparatuur moet gebruikt worden op een afstand van het lichaam die groter is dan 20cm

BG

ВАЖНО: Оборудването трябва да се използва на дистанция не по-малка от 20 см от тялото.

CZ

Důležité: Zařízení nesmí být používáno ve vzdálenosti méně než 20 cm od těla.

DK

Vigtigt: Udstyret skal skal være mindst 20cm fra kroppen under anvendelse

E

El equipo debe usarse a una distancia superior a 20cm del cuerpo.

EST

Märkus: Seade tuleb kasutada kaugemal kui 20cm kehast

F / LUX / CH

Important: l'appareil doit être utilisé à une distance supérieure à 20cm du corps.

FIN

Tärkeää: Laitetta on käytettävä etäisyydellä yli 20cm kehosta

GR

Σημαντικό: Ο εξοπλισμός θα πρέπει να χρησιμοποιείται σε απόσταση μεγαλύτερη των 20cm από το σώμα σας.

HR

Važno: Oprema se mora koristiti na udaljenosti većoj od 20 cm od tijela

HU

Fontos! Használat közben győződjön meg arról, hogy az eszköz legalább 20cm-re a testétől van.

IS

Búnaðurinn verður að nota í fjarlægð sem er meiri en 20cm úr líkamanum

LT

SVARBU: Įranga turi būti naudojama ne mažiau kaip 20cm atstumu nuo kūno.

LV

Aparāts jāizmanto attālumā vairāk nekā 20 cm no organisma

N

Viktig: Apparatet må brukes i en avstand på mer enn 20cm fra kroppen

NL

Belangrijk: Het apparaat moet op een afstand van minimaal 20 cm van het lichaam gebruikt worden.

P

Importante: O equipamento tem de ser usado a uma distância do corpo superior a 20cm.

PL

Uwaga: Urządzenie podczas pracy nie może znajdować się bliżej niż 20cm od ciała.

RO

Important: produsul trebuie utilizat la o distanta mai mare de 20cm fata de corp.

SE

Viktigt: Apparatens måste användas på ett avstånd av mer än 20 cm från kroppen

SK

Dôležité: Pri použití prístroja musí byť dodržaná minimálna vzdialenosť od tela 20 cm!

SL

Pomembno: Napravo se mora uporabljati vsaj 20 cm oddaljeno od človeškega telesa

Prodotto o importato da:

CTE INTERNATIONAL s.r.l.

Via. R.Sevardi 7- 42124 Reggio Emilia Italia - www.midlandeurope.com

L'uso di questo apparato può essere soggetto a restrizioni nazionali. Prima dell'uso leggere attentamente le istruzioni. Se il prodotto contiene batterie: non gettare nel fuoco, non disperdere nell'ambiente dopo l'uso, usare gli appositi contenitori per la raccolta.

Produced or imported by:

CTE INTERNATIONAL s.r.l.

Via. R.Sevardi 7 42124 Mancasale Reggio Emilia Italy

Imported by:

ALAN-NEVADA UK

Unit 1 Fitzherbert Spur Farlington Portsmouth Hants. P06 1TT - United Kingdom - www.nevada.co.uk

The use of this transceiver can be subject to national restrictions. Read the instructions carefully before installation and use. If the product contains batteries: do not throw the battery into fire. To disperse after use, throw into the appropriate containers.

Importado por:

ALAN COMMUNICATIONS, SA

C/Cobalt, 48 - 08940 Cornellà de Llobregat Barcelona España - www.midland.es

El uso de este equipo puede estar sujeto a la obtención de la correspondiente autorización administrativa.


Lea atentamente las instrucciones antes de usar el equipo. si el producto contiene pilas o baterías no las tire al fuego ni las disperse en el ambiente después de su uso, utilice los contenedores apropiados para su reciclaje.

Vertrieb durch:

ALAN ELECTRONICS GmbH

Daimlerstraße 1K - D-63303 Dreieich Deutschland - www.alan-electronics.de

Die Benutzung dieses Handfunkgerätes ist von den landesspezifischen Bestimmungen abhängig. Vor Benutzung Bedienungsanleitung beachten. Bei Verwendung von Batterien beachten Sie bitte die Umweltbestimmungen. Batterien niemals ins offene Feuer werfen, und nur in dafür vorgesehene Sammelbehälter entsorgen.

CE 0700 

Per informazioni sulla garanzia visitate il sito www.midlandeurope.com • For information about the warranty please visit www.midlandeurope.com • Für allen Informationen über die Garantie der Artikel, besuchen sie bitte unsere www.midlandeurope.com • Para mayor información sobre la garantía, visite la web www.midland.es • Pour des informations sur la garantie, s'il vous plaît visitez le site www.midlandeurope.com • Για να "κατεβάσετε" το πλήρες εγχειρίδιο χρήσης και πληροφορίες σχετικά με την εγγύηση του προϊόντος, παρακαλούμε επισκεφτείτε την ιστοσελίδα www.midlandeurope.com

WWW.MIDLANDEUROPE.COM |

