

# MODELL ULTIMATE6

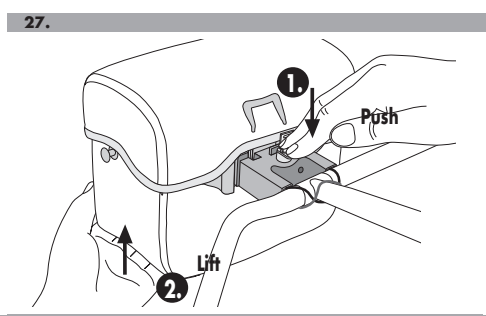
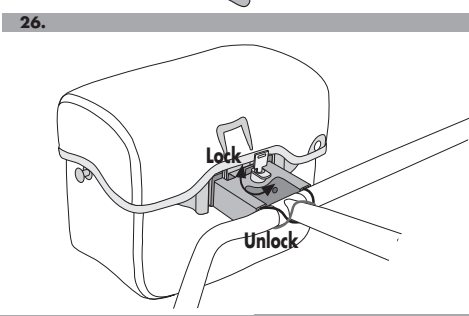
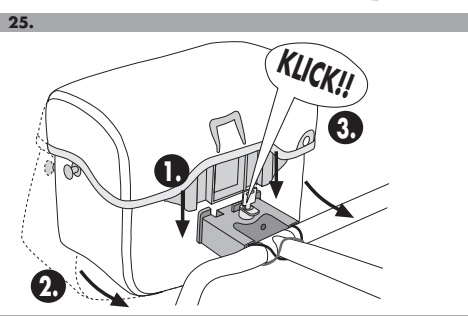
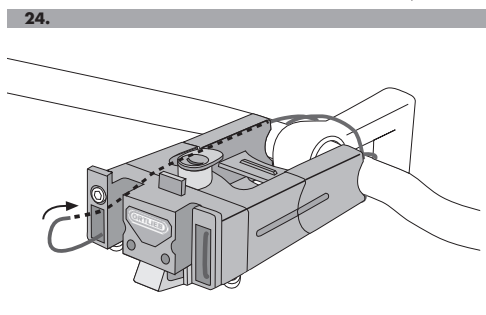
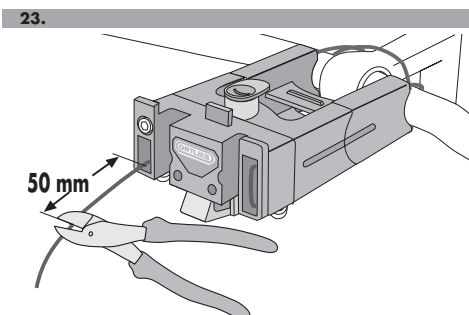
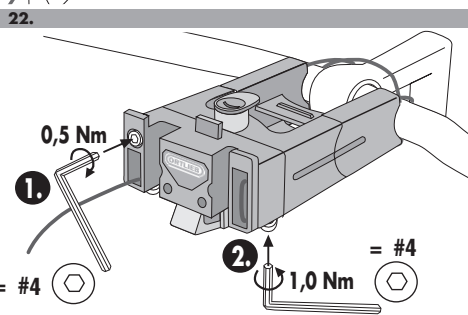
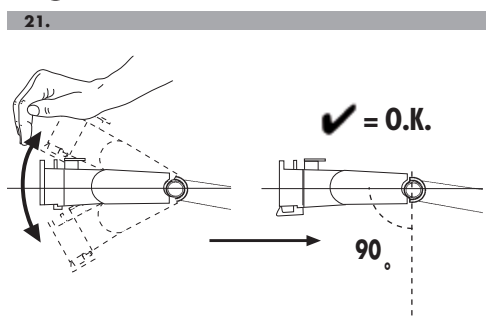
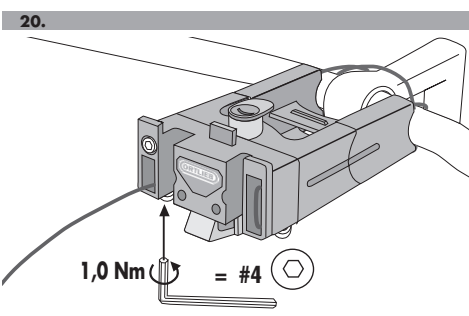
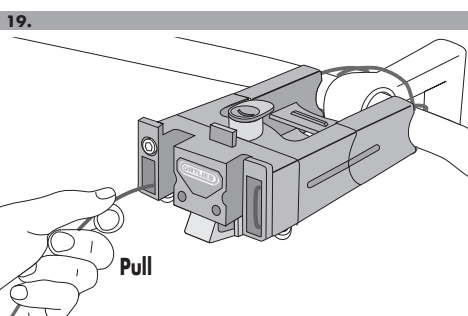
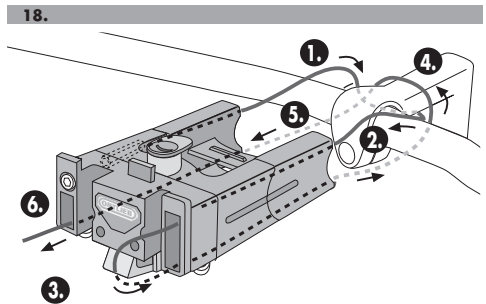
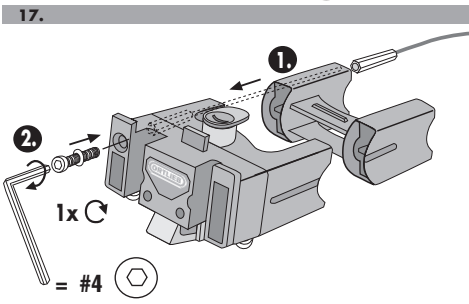
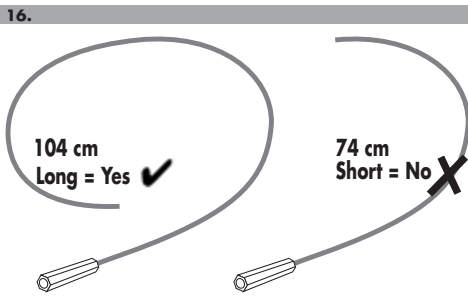
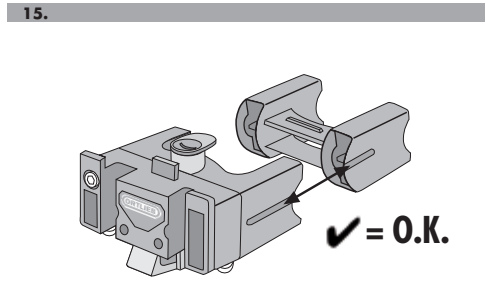
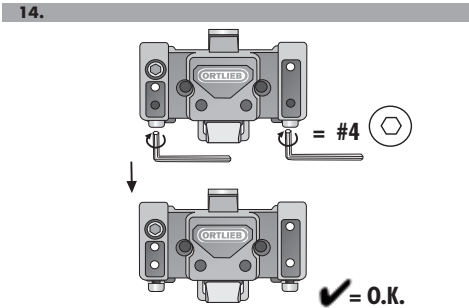
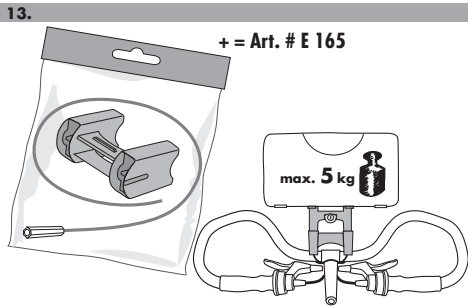
**DE MONTAGEANLEITUNG:** LENKERTASCHE  
**GB ASSEMBLY INSTRUCTIONS:** HANDLEBAR BAG  
**FR INSTRUCTIONS DE MONTAGE:** SACOCHE POUR GUIDON  
**IT ISTRUZIONI DI MONTAGGIO:** BORSA DA MANUBRIO  
**NL MONTAGE HANDLEIDING:** STUURTAS  
**DK MONTERINGSVEJLEDNING:** STYRTASKE

**ES INSTRUCCIONES DE MONTAJE:** BOLSA PARA MANILLAR  
**SE MONTERINGS ANVISNING:** STYRSTÄNGS VÄSKA  
**NO MONTERINGS ANVISNING:** STYREVESKE  
**FI ASENNUSOHJEET:** TANKOLAUKKU  
**PL INSTRUKCJA MONTAŻU:** TOREBKA NA KIEROWNICE  
**JP 組立方法:** ハンドルバーバッグ



<b>ULTIMATE6 PRO</b>	incl.	incl.	= + Safe-it 5 - XL (Option)	= + Art. # F 1402 (Option)		= + Art. # F 94 (Option)
<b>ULTIMATE6 PLUS</b>	incl.	incl.	= + Safe-it 5 - XL (Option)	= + Art. # F 1402 (Option)	= + Art. # F 95 (Option)	= + Art. # F 94 (Option)
<b>ULTIMATE6 Classic</b>	incl.	= + Art. # F 3903(M) Option # F 3904(L)	= + Safe-it 5 - XL (Option)	= + Art. # F 1402 (Option)	= + Art. # F 95 (Option)	= + Art. # F 94 (Option)
<b>ULTIMATE6 Compact</b>	incl.					

- 22 - 31,8 mm (Small to oversized) ✓ = O.K.
- Carbon
- ✓ = O.K.
- 1x C ✓ = O.K.
- 
- Pull
- 1,0 Nm = #4
- 90° ✓ = O.K.
- 0,5 Nm = #4
- 50 mm
- 
- max. 5 kg



OPTION PRO, PLUS, CLASSIC

