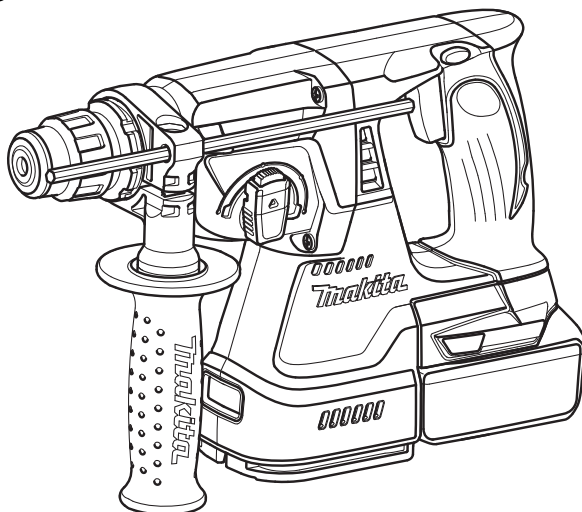
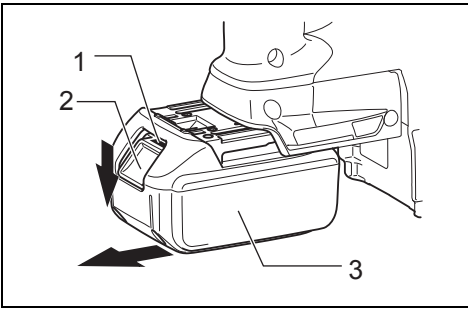




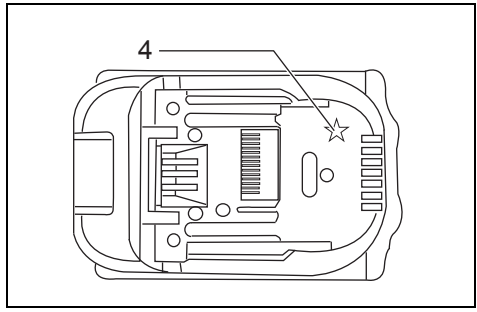
GB	Cordless Combination Hammer	Instruction Manual
F	Marteau Combiné sans Fil	Manuel d'instructions
D	Akku-Kombi-Bohrhammer	Betriebsanleitung
I	Martello multifunzione a batteria	Istruzioni per l'uso
NL	Snoerloze combinatiehamer	Gebruiksaanwijzing
E	Martillo Rotativo Combinado Inalámbrico	Manual de instrucciones
P	Martelete Combinado A Bateria	Manual de instruções
DK	Akku-kombinationshammer	Brugsanvisning
GR	Φορητό σφυρί συνδυασμού	Οδηγίες χρήσεως
TR	Kablosuz Kombine Darbeli Matkap	Kullanma kılavuzu

DHR242
DHR243

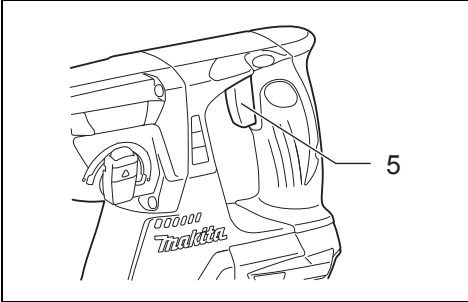




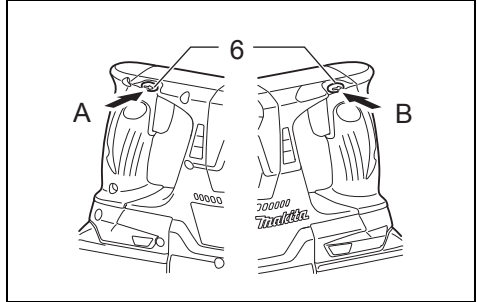
1 012622



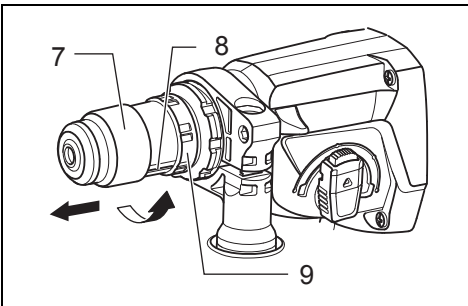
2 012128



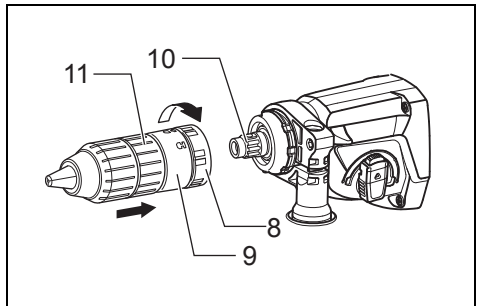
3 012627



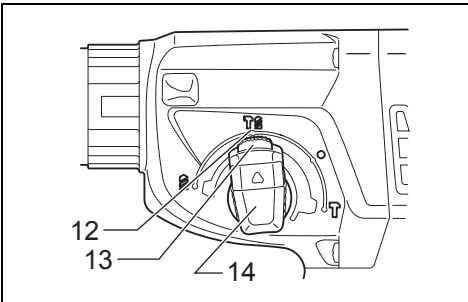
4 012628



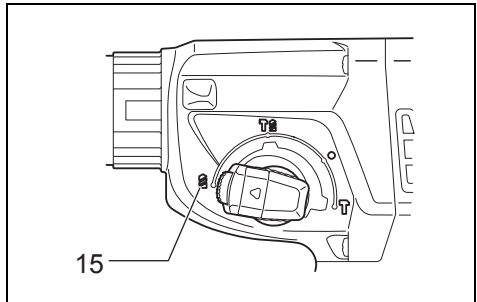
5 012690



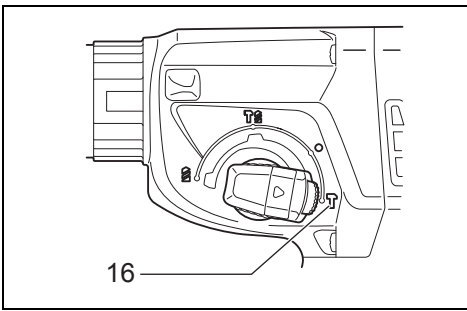
6 012689



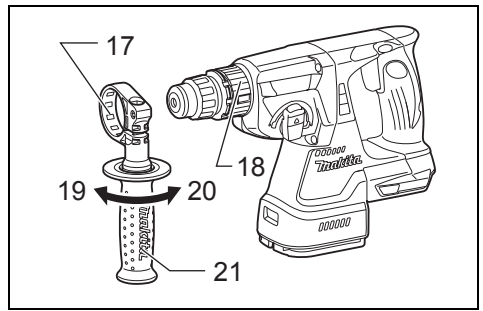
7 012629



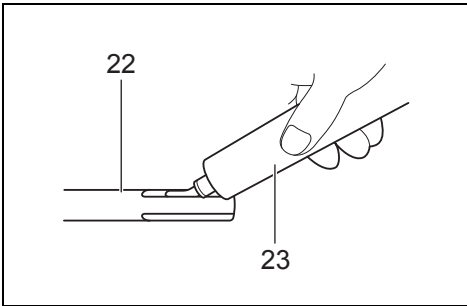
8 012631



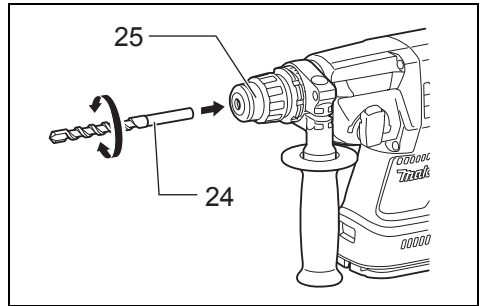
9 012630



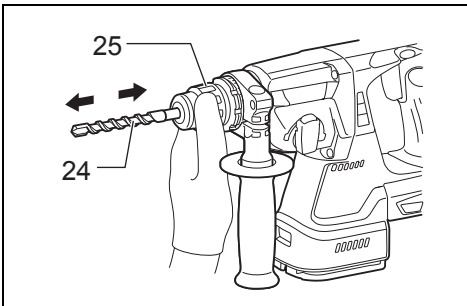
10 012623



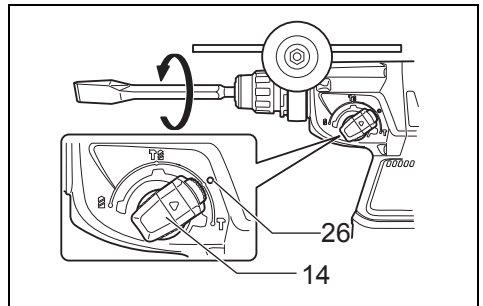
11 001296



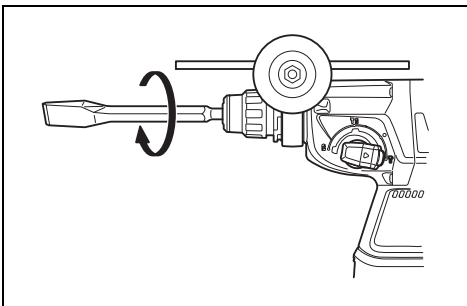
12 012624



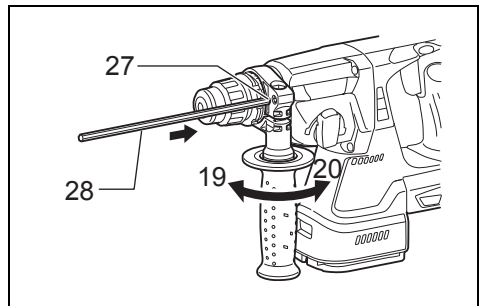
13 012625



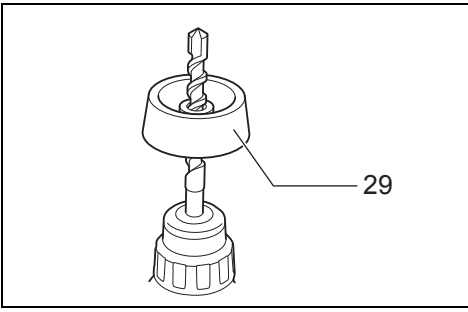
14 012632



15 012633

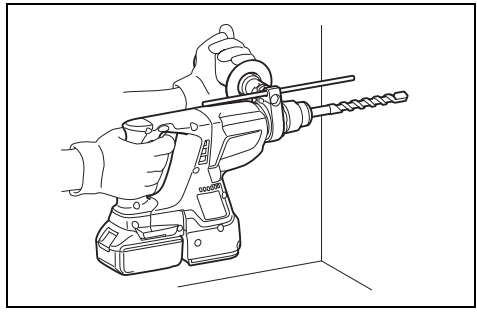


16 012626



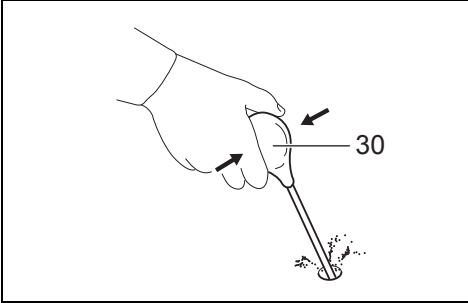
17

012636



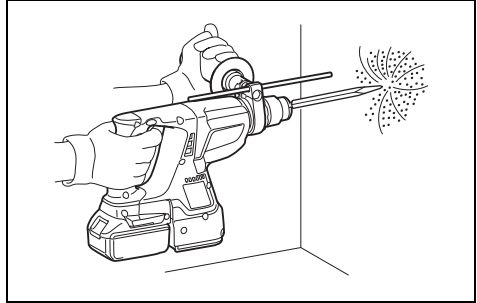
18

012634



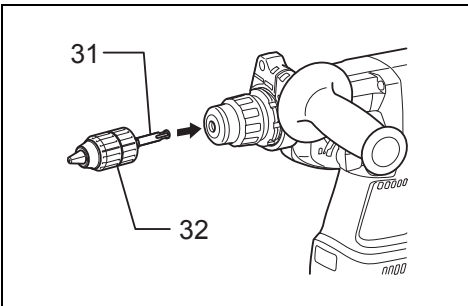
19

002449



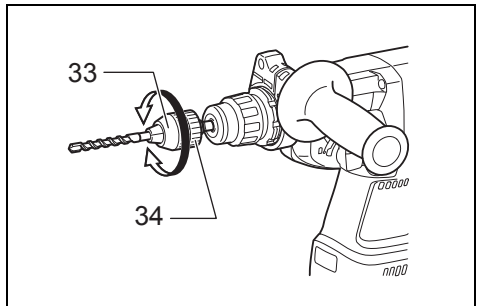
20

012686



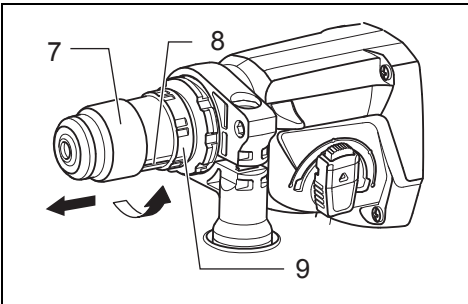
21

012684



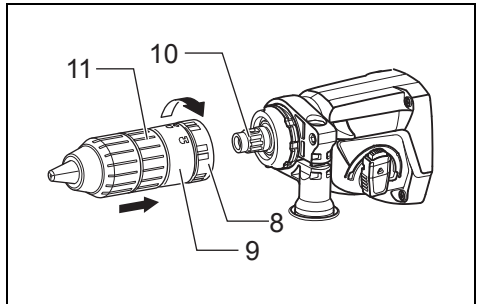
22

012685



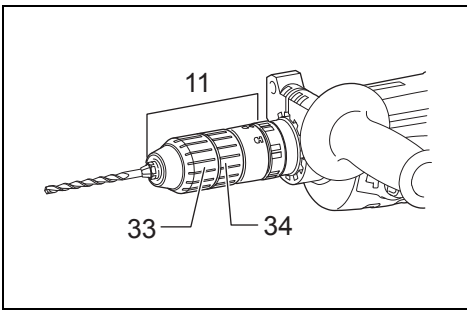
23

012690



24


012689



25

012720

Explanation of general view

1 Red indicator	12 Rotation with hammering	24 Bit
2 Button	13 Lock button	25 Chuck cover
3 Battery cartridge	14 Action mode changing knob	26  symbol
4 Star marking	15 Rotation only	27 Hole
5 Switch trigger	16 Hammering only	28 Depth gauge
6 Reversing switch lever	17 Protrusion	29 Dust cup
7 Quick change chuck for SDS-plus	18 Groove	30 Blow-out bulb
8 Change cover line	19 Loosen	31 Chuck adapter
9 Change cover	20 Tighten	32 Keyless drill chuck
10 Spindle	21 Side grip	33 Sleeve
11 Quick change drill chuck	22 Bit shank	34 Ring
	23 Bit grease	

SPECIFICATIONS

Model	DHR242	DHR243
Capacities		
Concrete	24 mm	24 mm
Steel	13 mm	13 mm
Wood	27 mm	27 mm
No load speed (min ⁻¹)	0 – 950	0 – 950
Blows per minute	0 – 4,700	0 – 4,700
Overall length	328 mm	353 mm
Net weight	3.3 kg	3.4 kg
Rated voltage	D.C. 18 V	D.C. 18 V

- Due to our continuing program of research and development, the specifications herein are subject to change without notice.
- Specifications and battery cartridge may differ from country to country.
- Weight, with battery cartridge, according to EPTA-Procedure 01/2003


ENE043-1

Intended use

The tool is intended for hammer drilling and drilling in brick, concrete and stone as well as for chiselling work. It is also suitable for drilling without impact in wood, metal, ceramic and plastic.

GEA010-1

General Power Tool Safety Warnings

 **WARNING** Read all safety warnings and all instructions. Failure to follow the warnings and instructions may result in electric shock, fire and/or serious injury.

Save all warnings and instructions for future reference.

GEB046-2

CORDLESS ROTARY HAMMER SAFETY WARNINGS

1. **Wear ear protectors.** Exposure to noise can cause hearing loss.
2. **Use auxiliary handles supplied with the tool.** Loss of control can cause personal injury.

3. **Hold power tools by insulated gripping surfaces, when performing an operation where the cutting accessory may contact hidden wiring.** Cutting accessory contacting a "live" wire may make exposed metal parts of the power tool "live" and could give the operator an electric shock.
4. **Wear a hard hat (safety helmet), safety glasses and/or face shield. Ordinary eye or sun glasses are NOT safety glasses. It is also highly recommended that you wear a dust mask and thickly padded gloves.**
5. **Be sure the bit is secured in place before operation.**
6. **Under normal operation, the tool is designed to produce vibration. The screws can come loose easily, causing a breakdown or accident. Check tightness of screws carefully before operation.**
7. **In cold weather or when the tool has not been used for a long time, let the tool warm up for a while by operating it under no load. This will loosen up the lubrication. Without proper warm-up, hammering operation is difficult.**
8. **Always be sure you have a firm footing. Be sure no one is below when using the tool in high locations.**
9. **Hold the tool firmly with both hands.**
10. **Keep hands away from moving parts.**
11. **Do not leave the tool running. Operate the tool only when hand-held.**
12. **Do not point the tool at any one in the area when operating. The bit could fly out and injure someone seriously.**
13. **Do not touch the bit or parts close to the bit immediately after operation; they may be extremely hot and could burn your skin.**

14. Some material contains chemicals which may be toxic. Take caution to prevent dust inhalation and skin contact. Follow material supplier safety data.

SAVE THESE INSTRUCTIONS.

WARNING:

DO NOT let comfort or familiarity with product (gained from repeated use) replace strict adherence to safety rules for the subject product. MISUSE or failure to follow the safety rules stated in this instruction manual may cause serious personal injury.

ENC007-7

IMPORTANT SAFETY INSTRUCTIONS

FOR BATTERY CARTRIDGE

1. Before using battery cartridge, read all instructions and cautionary markings on (1) battery charger, (2) battery, and (3) product using battery.
2. Do not disassemble battery cartridge.
3. If operating time has become excessively shorter, stop operating immediately. It may result in a risk of overheating, possible burns and even an explosion.
4. If electrolyte gets into your eyes, rinse them out with clear water and seek medical attention right away. It may result in loss of your eyesight.
5. Do not short the battery cartridge:
 - (1) Do not touch the terminals with any conductive material.
 - (2) Avoid storing battery cartridge in a container with other metal objects such as nails, coins, etc.
 - (3) Do not expose battery cartridge to water or rain.

A battery short can cause a large current flow, overheating, possible burns and even a breakdown.
6. Do not store the tool and battery cartridge in locations where the temperature may reach or exceed 50°C (122°F).
7. Do not incinerate the battery cartridge even if it is severely damaged or is completely worn out. The battery cartridge can explode in a fire.
8. Be careful not to drop or strike battery.
9. Do not use a damaged battery.

SAVE THESE INSTRUCTIONS.

Tips for maintaining maximum battery life

1. Charge the battery cartridge before completely discharged.

Always stop tool operation and charge the battery cartridge when you notice less tool power.
2. Never recharge a fully charged battery cartridge. Overcharging shortens the battery service life.
3. Charge the battery cartridge with room temperature at 10°C – 40°C (50°F – 104°F). Let a hot battery cartridge cool down before charging it.
4. Charge the battery cartridge once in every six months if you do not use it for a long period of time.

FUNCTIONAL DESCRIPTION

CAUTION:

- Always be sure that the tool is switched off and the battery cartridge is removed before adjusting or checking function on the tool.

Installing or removing battery cartridge (Fig. 1)

CAUTION:

- Hold the tool and the battery cartridge firmly when installing or removing battery cartridge. Failure to hold the tool and the battery cartridge firmly may cause them to slip off your hands and result in damage to the tool and battery cartridge and a personal injury.
- Always switch off the tool before installing or removing of the battery cartridge.
- To remove the battery cartridge, slide it from the tool while sliding the button on the front of the cartridge.
- To install the battery cartridge, align the tongue on the battery cartridge with the groove in the housing and slip it into place. Always insert it all the way until it locks in place with a little click. If you can see the red indicator on the upper side of the button, it is not locked completely. Install it fully until the red indicator cannot be seen. If not, it may accidentally fall out of the tool, causing injury to you or someone around you.
- Do not use force when installing the battery cartridge. If the cartridge does not slide in easily, it is not being inserted correctly.

Battery protection system (Lithium-ion battery with star marking) (Fig. 2)

Lithium-ion batteries with a star marking are equipped with a protection system. This system automatically cuts off power to the tool to extend battery life.

The tool will automatically stop during operation if the tool and/or battery are placed under one of the following conditions:

- Overloaded:

The tool is operated in a manner that causes it to draw an abnormally high current.

In this situation, release the trigger switch on the tool and stop the application that caused the tool to become overloaded. Then pull the trigger switch again to restart.

If the tool does not start, the battery is overheated. In this situation, let the battery cool before pulling the trigger switch again.

- Low battery voltage:

The remaining battery capacity is too low and the tool will not operate. In this situation, remove and recharge the battery.

Switch action (Fig. 3)

CAUTION:

- Before inserting the battery cartridge into the tool, always check to see that the switch trigger actuates properly and returns to the "OFF" position when released.

To start the tool, simply pull the switch trigger. Tool speed is increased by increasing pressure on the switch trigger. Release the switch trigger to stop.

Reversing switch action (Fig. 4)

This tool has a reversing switch to change the direction of rotation. Depress the reversing switch lever from the A side for clockwise rotation or from the B side for counter-clockwise rotation.

When the reversing switch lever is in the neutral position, the switch trigger cannot be pulled.

⚠ CAUTION:

- Always check the direction of rotation before operation.
- Use the reversing switch only after the tool comes to a complete stop. Changing the direction of rotation before the tool stops may damage the tool.
- When not operating the tool, always set the reversing switch lever to the neutral position.

Changing the quick change chuck for SDS-plus



For Model DHR243

The quick change chuck for SDS-plus can be easily exchanged for the quick change drill chuck.


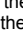
Removing the quick change chuck for SDS-plus (Fig. 5)

⚠ CAUTION:


- Before removing the quick change chuck for SDS-plus, always remove the bit.

Grasp the change cover of the quick change chuck for SDS-plus and turn in the direction of the arrow until the change cover line moves from the  symbol to the  symbol. Pull forcefully in the direction of the arrow.

Attaching the quick change drill chuck (Fig. 6)


Check the line of the quick change drill chuck shows the  symbol. Grasp the change cover of the quick change drill chuck and set the line to the  symbol.

Place the quick change drill chuck on the spindle of the tool.

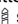
Grasp the change cover of the quick change drill chuck and turn the change cover line to the  symbol until a click can clearly be heard.

Selecting the action mode


Rotation with hammering (Fig. 7)

For drilling in concrete, masonry, etc., depress the lock button and rotate the action mode changing knob to the  symbol. Use a tungsten-carbide tipped bit.

Rotation only (Fig. 8)



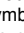
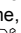
For drilling in wood, metal or plastic materials, depress the lock button and rotate the action mode changing knob to the  symbol. Use a twist drill bit or wood bit.

Hammering only (Fig. 9)

For chipping, scaling or demolition operations, depress the lock button and rotate the action mode changing knob to the  symbol. Use a bull point, cold chisel, scaling chisel, etc.

⚠ CAUTION:

- Do not rotate the action mode changing knob when the tool is running. The tool will be damaged.
- To avoid rapid wear on the mode change mechanism, be sure that the action mode changing knob is always positively located in one of the three action mode positions.

- When changing from the  symbol mode to the  symbol mode, the action mode changing knob may no longer move in the  symbol position. At this time, turn the tool on or turn the chuck by hand in the  symbol position and then rotate the action mode changing knob. Forcing the action mode changing knob may cause tool damage.

Torque limiter

The torque limiter will actuate when a certain torque level is reached. The motor will disengage from the output shaft. When this happens, the bit will stop turning.

⚠ CAUTION:

- As soon as the torque limiter actuates, switch off the tool immediately. This will help prevent premature wear of the tool.
- Hole saws cannot be used with this tool. They tend to pinch or catch easily in the hole. This will cause the torque limiter to actuate too frequently.

ASSEMBLY

⚠ CAUTION:

- Always be sure that the tool is switched off and the battery cartridge is removed before carrying out any work on the tool.

Side grip (auxiliary handle) (Fig. 10)

⚠ CAUTION:

- Always use the side grip to ensure operating safety.

Install the side grip so that the protrusion on the grip fit in between the grooves in the tool barrel. Then tighten the grip by turning clockwise at the desired position. It may be swung 360° so as to be secured at any position.

Bit grease

Coat the bit shank head beforehand with a small amount of bit grease (about 0.5 – 1 g). This chuck lubrication assures smooth action and longer service life.

Installing or removing the bit

Clean the bit shank and apply bit grease before installing the bit. (Fig. 11)


Insert the bit into the tool. Turn the bit and push it in until it engages.

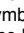
If the bit cannot be pushed in, remove the bit. Pull the chuck cover down a couple of times. Then insert the bit again. Turn the bit and push it in until it engages. (Fig. 12)

After installing, always make sure that the bit is securely held in place by trying to pull it out.

To remove the bit, pull the chuck cover down all the way and pull the bit out. (Fig. 13)

Bit angle (when chipping, scaling or demolishing) (Fig. 14 & 15)

The bit can be secured at the desired angle. To change the bit angle, depress the lock button and rotate the action mode changing knob to the  symbol. Turn the bit to the desired angle.

Depress the lock button and rotate the action mode changing knob to the  symbol. Then make sure that the bit is securely held in place by turning it slightly.

Depth gauge (Fig. 16)

The depth gauge is convenient for drilling holes of uniform depth. Loosen the side grip and insert the depth gauge into the hole in the side grip. Adjust the depth gauge to the desired depth and tighten the side grip.

NOTE:

- The depth gauge cannot be used at the position where the depth gauge strikes against the gear housing.

Dust cup (Fig. 17)


Use the dust cup to prevent dust from falling over the tool and on yourself when performing overhead drilling operations. Attach the dust cup to the bit as shown in the figure. The size of bits which the dust cup can be attached to is as follows.

	Bit diameter
Dust cup 5	6 mm – 14.5 mm
Dust cup 9	12 mm – 16 mm

006382

OPERATION

Hammer drilling operation (Fig. 18)

Set the action mode changing knob to the  symbol. Position the bit at the desired location for the hole, then pull the switch trigger.

Do not force the tool. Light pressure gives best results.

Keep the tool in position and prevent it from slipping away from the hole.

Do not apply more pressure when the hole becomes clogged with chips or particles. Instead, run the tool at an idle, then remove the bit partially from the hole. By repeating this several times, the hole will be cleaned out and normal drilling may be resumed.

⚠ CAUTION:

- There is a tremendous and sudden twisting force exerted on the tool/bit at the time of hole breakthrough, when the hole becomes clogged with chips and particles, or when striking reinforcing rods embedded in the concrete. Always use the side grip (auxiliary handle) and firmly hold the tool by both side grip and switch handle during operations. Failure to do so may result in the loss of control of the tool and potentially severe injury.


NOTE:

- Eccentricity in the bit rotation may occur while operating the tool with no load. The tool automatically centers itself during operation. This does not affect the drilling precision.


Blow-out bulb (optional accessory) (Fig. 19)

After drilling the hole, use the blow-out bulb to clean the dust out of the hole.

Chipping/Scaling/Demolition (Fig. 20)

Set the action mode changing knob to the  symbol. Hold the tool firmly with both hands. Turn the tool on and apply slight pressure on the tool so that the tool will not bounce around, uncontrolled. Pressing very hard on the tool will not increase the efficiency.

Drilling in wood or metal (Fig. 21 & 22)

Use the optional drill chuck assembly. When installing it, refer to the section "Installing or removing the bit". Set the action mode changing knob so that the pointer points to the  symbol.


For Model DHR243 (Fig. 23, 24 & 25)

⚠ CAUTION:

- Never use "Rotation with hammering" when the drill chuck assembly is installed on the tool. The drill chuck assembly may be damaged. Also, the drill chuck will come off when reversing the tool.

Use the quick change drill chuck as standard equipment. When installing it, refer to the section "Changing the quick change chuck for SDS-plus".

Hold the ring and turn the sleeve counterclockwise to open the chuck jaws. Place the bit in the chuck as far as it will go. Hold the ring firmly and turn the sleeve clockwise to tighten the chuck. To remove the bit, hold the ring and turn the sleeve counterclockwise.

Set the action mode changing knob to the  symbol.

You can drill up to 13 mm diameter in metal and up to 32 mm diameter in wood.

⚠ CAUTION:

- Never use "Rotation with hammering" when the quick change drill chuck is installed on the tool. The quick change drill chuck may be damaged. Also, the drill chuck will come off when reversing the tool.
- Pressing excessively on the tool will not speed up the drilling. In fact, this excessive pressure will only serve to damage the tip of your bit, decrease the tool performance and shorten the service life of the tool.
- There is a tremendous twisting force exerted on the tool/bit at the time of hole breakthrough. Hold the tool firmly and exert care when the bit begins to break through the workpiece.
- A stuck bit can be removed simply by setting the reversing switch to reverse rotation in order to back out. However, the tool may back out abruptly if you do not hold it firmly.
- Always secure small workpieces in a vise or similar hold-down device.

MAINTENANCE

⚠ CAUTION:

- Always be sure that the tool is switched off and the battery cartridge is removed before attempting to perform inspection or maintenance.
- Never use gasoline, benzene, thinner, alcohol or the like. Discoloration, deformation or cracks may result.

To maintain product SAFETY and RELIABILITY, repairs, carbon brush inspection and replacement, any other maintenance or adjustment should be performed by Makita Authorized Service Centers, always using Makita replacement parts.

OPTIONAL ACCESSORIES

⚠ CAUTION:

- These accessories or attachments are recommended for use with your Makita tool specified in this manual. The use of any other accessories or attachments might present a risk of injury to persons. Only use accessory or attachment for its stated purpose.

Verklaring van algemene gegevens

1 Rode indicator	13 Vergrendelknop	25 Boorkopmof
2 Knop	14 Werkingsfunctie-keuzeknop	26 ○-symbool
3 Accu	15 Alleen ronddraaien	27 Gat
4 Stermarkering	16 Alleen hameren	28 Diepteaanslag
5 Trekkerschakelaar	17 Uitsteeksel	29 Stofvanger
6 Omkeerschakelaar	18 Groef	30 Blaasbalgje
7 Snelwisselkop voor SDS-plus	19 Losmaken	31 Boorkopadapter
8 Streep op wisselmof	20 Vastzetten	32 Sleutellose boorkop
9 Wisselmof	21 Zijhandgreep	33 Bus
10 As	22 Boorschacht	34 Ring
11 Snelwisselboorkop	23 Boorvet	
12 Ronddraaien met hameren	24 Boor	

TECHNISCHE GEGEVENS

Model	DHR242	DHR243
Capaciteiten		
Beton	24 mm	24 mm
Hout	13 mm	13 mm
Staal	27 mm	27 mm
Toerental onbelast (min ⁻¹)	0–950	0–950
Aantal slagen/ minuut	0–4 700	0–4 700
Totale lengte	328 mm	353 mm
Netto gewicht	3,3 kg	3,4 kg
Nominale spanning	D.C. 18 V	D.C. 18 V

- In verband met ononderbroken research en ontwikkeling behouden wij ons het recht voor bovenstaande technische gegevens te wijzigen zonder voorafgaande kennisgeving.
- De technische gegevens de accu kunnen van land tot land verschillen.
- Gewicht, inclusief accu, volgens de EPTA-procedure 01/2003

ENE043-1

Doeleinden van gebruik

Dit gereedschap is bedoeld voor hamerboren en boren in baksteen, beton en steen, en ook voor beitelen. Het gereedschap is ook geschikt voor boren zonder slag in hout, metaal, keramisch materiaal en kunststof.

GEA010-1

Algemene veiligheidswaarschuwingen voor elektrisch gereedschap

⚠WAARSCHUWING! Lees alle veiligheidswaarschuwingen en alle instructies. Het niet volgen van de waarschuwingen en instructies kan leiden tot elektrische schokken, brand en/of ernstig letsel.

Bewaar alle waarschuwingen en instructies om in de toekomst te kunnen raadplegen.

GEB046-2

VEILIGHEIDSWAARSCHUWINGEN VOOR SNOERLOZE BOORHAMER

1. **Draag gehoorbescherming.** Blootstelling aan harde geluiden kan leiden tot gehoorbeschadiging.
2. **Gebruik de hulphandgrepen die bij het gereedschap werden geleverd.** Als u de controle over het gereedschap verliest, kan dit leiden tot ernstig persoonlijk letsel.

3. **Houd elektrisch gereedschap vast aan het geïsoleerde oppervlak van de handgrepen wanneer u werkt op plaatsen waar het slijpaccessoire met verborgen bedrading of zijn eigen snoer in aanraking kan komen.** Wanneer het booraccessoire in aanraking komen met onder spanning staande draden, zullen de niet-geïsoleerde metalen delen van het gereedschap onder spanning komen te staan zodat de gebruiker een elektrische schok kan krijgen.
4. **Draag een veiligheidshelm, veiligheidsbril en/of gezichtsbescherming.** Een gewone bril of een zonnebril is **GEEN** veiligheidsbril. Het wordt tevens sterk aanbevolen een stofmasker en dik gevoerde handschoenen te dragen.
5. **Controleer dat het bit stevig op zijn plaats is vastgezet voordat u het gereedschap gebruikt.**
6. **Bij normale bediening behoort het gereedschap te trillen.** De schroeven kunnen gemakkelijk losraken, waardoor een defect of ongeluk kan ontstaan. Controleer of de schroeven goed zijn aangedraaid, alvorens het gereedschap te gebruiken.
7. **In koude weersomstandigheden of wanneer het gereedschap gedurende een lange tijd niet is gebruikt, laat u het gereedschap eerst opwarmen door het onbelast te laten werken.** Hierdoor zal de smering worden verbeterd. Zonder degelijk opwarmen, zal de hamerwerking moeilijk zijn.
8. **Zorg er altijd voor dat u stevig staat.** Zorg ervoor dat er niemand zich onder u bevindt wanneer u het gereedschap op een hoge plaats gebruikt.
9. **Houd het gereedschap met beide handen stevig vast.**
10. **Houd uw handen uit de buurt van bewegende delen.**

11. Laat het gereedschap niet ingeschakeld liggen. Bedien het gereedschap alleen wanneer u het vasthoudt.
12. Richt het gereedschap niet op iemand in de buurt terwijl het is ingeschakeld. Het bit zou eruit kunnen vliegen en iemand ernstig verwonden.
13. Raak het bit en onderdelen in de buurt van het bit niet onmiddellijk na gebruik aan. Zij kunnen bijzonder heet zijn en brandwonden op uw huid veroorzaken.
14. Sommige materialen bevatten chemische stoffen die giftig kunnen zijn. Neem de nodige voorzorgsmaatregelen tegen inademing van stof en contact met de huid. Volg de veiligheidsinstructies van de leverancier van het materiaal op.

BEWAAR DEZE VOORSCHRIFTEN.

⚠ WAARSCHUWING:

Laat u NIET misleiden door een vals gevoel van comfort en bekendheid met het gereedschap (na veelvuldig gebruik) en neem alle veiligheidsvoorschriften van het betreffende gereedschap altijd strikt in acht. **VERKEERD GEBRUIK** of het niet naleven van de veiligheidsvoorschriften in deze gebruiksaanwijzing kan leiden tot ernstige verwondingen.

ENC007-7

BELANGRIJKE

VEILIGHEIDSVOORSCHRIFTEN VOOR ACCU

1. Lees alle voorschriften en waarschuwingen op (1) de acculader, (2) de accu, en (3) het product waarvoor de accu wordt gebruikt, aandachtig door alvorens de accu in gebruik te nemen.
2. Neem de accu niet uit elkaar.
3. Als de gebruikstijd van een opgeladen accu aanzienlijk korter is geworden, moet u het gebruik ervan onmiddellijk stopzetten. Voortgezet gebruik kan oververhitting, brandwonden en zelfs een ontploffing veroorzaken.
4. Als er elektrolyt in uw ogen is terechtgekomen, spoel dan uw ogen met schoon water en roep onmiddellijk de hulp van een dokter in. Elektrolyt in de ogen kan blindheid veroorzaken.
5. Voorkom kortsluiting van de accu:
 - (1) Raak de accuklemmen nooit aan met een geleidend materiaal.
 - (2) Bewaar de accu niet in een bak waarin andere metalen voorwerpen zoals spijkers, munten e.d. worden bewaard.
 - (3) Stel de accu niet bloot aan water of regen. Kortsluiting van de accu kan oorzaak zijn van een grote stroomafgifte, oververhitting, brandwonden, en zelfs defecten.
6. Bewaar het gereedschap en de accu niet op plaatsen waar de temperatuur kan oplopen tot 50°C of hoger.
7. Werp de accu nooit in het vuur, ook niet wanneer hij zwaar beschadigd of volledig versleten is. De accu kan namelijk ontploffen in het vuur.
8. Wees voorzichtig dat u de accu niet laat vallen en hem niet blootstelt aan schokken of stoten.

9. Gebruik nooit een beschadigde accu.

BEWAAR DEZE VOORSCHRIFTEN.

Tips voor een maximale levensduur van de accu

1. Laad de accu op voordat hij volledig ontladen is. Stop het gebruik van het gereedschap en laad de accu op telkens wanneer u vaststelt dat het vermogen van het gereedschap is afgenomen.
2. Laad een volledig opgeladen accu nooit opnieuw op. Als u de accu te veel oplaadt, zal hij minder lang meegaan.
3. Laad de accu op bij een kamertemperatuur tussen 10°C en 40°C. Laat een warme accu afkoelen alvorens hem op te laden.
4. Laad de accu tenminste eenmaal in zes maanden op, als u het apparaat geruime tijd lang niet gebruikt.

FUNCTIEBESCHRIJVING

⚠ LET OP:

- Zorg altijd dat het gereedschap is uitgeschakeld en de accu is verwijderd, alvorens u enige controle of afstelling aan het gereedschap uitvoert.

Aanbrengen en verwijderen van de accu (Fig. 1)

⚠ LET OP:

- Houd het gereedschap en de accu stevig vast wanneer u de accu aanbrengt of verwijdert. Als u het gereedschap en de accu niet stevig vasthoudt, zou er iets uit uw handen kunnen glippen, met gevaar voor schade aan het gereedschap of de accu en eventuele verwonding.
- Schakel altijd het gereedschap uit voordat u de accu aanbrengt of verwijdert.
- Om de accu te verwijderen, schuift u deze uit het gereedschap los terwijl u de knop voorop de accu ingedrukt houdt.
- Voor het aanbrengen van de accu plaatst u de tong van de accu in de groef van de behuizing en schuift u de accu op zijn plaats. Schuif de accu er altijd volledig in totdat die op zijn plaats vastklikt. Wanneer de rode indicator op de bovenkant van de knop nog zichtbaar is, zit de accu niet volledig erin. Schuif hem volledig erin totdat de rode indicator niet meer zichtbaar is. Als u dit nalaat, zou de accu uit het gereedschap kunnen vallen en uzelf of anderen kunnen verwonden.
- Druk de accu er niet met kracht in. Als de accu er niet soepel in gaat, houdt u die waarschijnlijk in de verkeerde stand.

Accubeveiligingssysteem (lithium-ionenaccu met stermarkering) (Fig. 2)

Lithium-ionenaccu's met een stermarkering zijn voorzien van een beveiligingssysteem. Dat kan automatisch de stroomtoevoer naar het gereedschap afsluiten om de levensduur van de accu te verlengen.

Het gereedschap kan tijdens gebruik automatisch stoppen wanneer het gereedschap en/of de accu aan één van de volgende omstandigheden wordt blootgesteld:

- Overbelasting:
Als het gereedschap wordt gebruikt op een manier die een abnormaal hoge stroomsterkte vergt.

In dat geval laat u de trekkerschakelaar van het gereedschap los en verhelpt u de oorzaak van de overbelasting. Vervolgens drukt u de trekkerschakelaar weer in om het gereedschap te herstarten.

Als het gereedschap niet start, kan de accu oververhit zijn. In dat geval laat u de accu even afkoelen voordat u de trekkerschakelaar opnieuw indrukt.

• **Onvoldoende accuspanning:**

Als de resterende accuspanning onvoldoende is, zal het gereedschap niet starten. In dat geval verwijderd u de accu en laadt u die opnieuw op.

Werking van de schakelaar (Fig. 3)

⚠ LET OP:

• Alvorens u de accu in het gereedschap plaatst, controleert u eerst of de schakelaar goed werkt en bij loslaten automatisch naar de "OFF"-stand terugkeert.

Om het gereedschap te starten, drukt u enkel de trekkerschakelaar in. De snelheid van het gereedschap neemt toe, hoe verder u de trekkerschakelaar indrukt. Laat de trekkerschakelaar los om te stoppen.

Werking omkeerschakelaar (Fig. 4)

Dit gereedschap heeft een omkeerschakelaar voor het veranderen van de draairichting. Druk de omkeerschakelaar in vanaf kant A voor rechtse, kloksgewijze draairichting, of vanaf kant B voor linkse draairichting.

Wanneer deze schakelaar in de neutrale stand staat, kan de trekkerschakelaar niet worden ingedrukt.

⚠ LET OP:

- Controleer altijd de draairichting alvorens het gereedschap te starten.
- Verander de stand van de omkeerschakelaar alleen nadat het gereedschap volledig tot stilstand is gekomen. Als u de draairichting verandert terwijl het gereedschap nog draait, kan het gereedschap beschadigd raken.
- Zet de omkeerschakelaar altijd in de neutrale stand wanneer u het gereedschap niet gebruikt.

De snelwisselkop voor SDS-plus vervangen

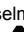

Voor model DHR243

De snelwisselkop voor SDS-plus kan eenvoudig worden vervangen door de snelwisselboorkop.



De snelwisselkop voor SDS-plus verwijderen (Fig. 5)

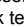
⚠ LET OP:

• Haal altijd de boor eruit voordat u de snelwisselkop voor SDS-plus verwijdert.

Pak de wisselmof van de snelwisselkop voor SDS-plus vast en draai deze in de richting van de pijl totdat de streep op de wisselmof van het symbool  is verplaatst naar het symbool . Trek krachtig in de richting van de pijl.

De snelwisselboorkop aanbrengen (Fig. 6)

Controleer of de streep op de snelwisselboorkop bij het symbool  staat. Pak de wisselmof van de snelwisselboorkop vast en zet de streep bij het symbool .


Zet de snelwisselboorkop op de as van het gereedschap. Pak de wisselmof van de snelwisselboorkop en draai de streep op de wisselmof naar het symbool  totdat er een duidelijke klik te horen is.

De werkingsfunctie kiezen

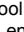
Ronddraaien met hameren (Fig. 7)

Voor boren in beton, metselwerk, enz., drukt u de vergrendelknop in en draait u de werkingsfunctie-keuzeknop naar het symbool . Gebruik een boor met een wolframcarbide punt.

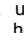

Alleen ronddraaien (Fig. 8)

Voor boren in hout, metaal of kunststofmaterialen, drukt u de vergrendelknop in en draait u de werkingsfunctie-keuzeknop naar het symbool . Gebruik een spiraalboor of houtboor.

Alleen hameren (Fig. 9)

Voor beitelten, bikken of sloopwerkzaamheden, drukt u de vergrendelknop in en draait u de werkingsfunctie-keuzeknop naar het symbool . Gebruik een puntbeitel, koudbeitel, bikbeitel, enz.

⚠ LET OP:

- Verstel de stand van de werkingsfunctie-keuzeknop niet terwijl het gereedschap draait. Daardoor zal het gereedschap worden beschadigd.
- Om snelle slijtage van het omschakelmechanisme te voorkomen, zorgt u dat de werkingsfunctie-keuzeknop altijd precies in een van de drie standen staat.
- Als u de knop van het symbool  naar het symbool  draait, is het mogelijk dat u de werkingsfunctie-keuzeknop niet verder dan het symbool  kunt draaien. In dat geval schakelt u het gereedschap opnieuw in of draait u de boorkop met de hand naar het symbool , en draait u vervolgens de werkingsfunctie-keuzeknop verder. Als u de werkingsfunctie-keuzeknop forceert, kan het gereedschap worden beschadigd.

Koppelbegrenzer

De koppelbegrenzer treedt in werking wanneer de motor een bepaald koppelniveau bereikt. De motor wordt dan ontkoppeld van de uitgaande aandrijfjas. Wanneer dit gebeurt, zal de boor stoppen met draaien.

⚠ LET OP:

- Schakel het gereedschap onmiddellijk uit wanneer de koppelbegrenzer in werking treedt. Hiermee helpt u vroegtijdige slijtage van het gereedschap voorkomen.
- Gatenzagen mogen niet worden gebruikt met dit gereedschap. Dergelijke zagen kunnen gemakkelijk bekneld raken in het boorgat. Daardoor zou de koppelbegrenzer al te vaak in werking treden.

INEENZETTEN

⚠ LET OP:

- Controleer altijd of het gereedschap is uitgeschakeld en de accu is verwijderd alvorens enig werk aan het gereedschap uit te voeren.

Zijhandgreep (hulphandgreep) (Fig. 10)

⚠ LET OP:

- Gebruik altijd de zijhandgreep om veilig te kunnen werken.

Plaats de zijhandgreep zodanig op het gereedschap dat de uitsteeksels van de zijhandgreep in de groeven van het gereedschap passen. Draai daarna de zijhandgreep vast door deze in de gewenste stand rechtsonder te draaien. De zijhandgreep kan 360° rondgedraaid worden en in iedere gewenste stand worden vastgezet.

Boorvet

Voordat u de boor aanbrengt, smeert u een beetje boorvet (ongeveer 0,5 tot 1 gram) op de kop van de boorschacht. Met een ingevette boorkop zal het gereedschap beter werken en langer meegaan.

Aanbrengen en verwijderen van de boor

Reinig de boorschacht en smeert er boorvet op alvorens de boor te plaatsen. (Fig. 11)

Steek de boor in het gereedschap. Draai de boor en duw deze naar binnen tot hij vergrendelt.


Als de boor er niet volledig in geduwd kan worden, verwijdert u die boor dan. Trek eerst de boorkopmf enkele malen omlaag. Steek vervolgens de boor opnieuw in. Draai de boor en duw deze naar binnen tot hij vergrendelt. (Fig. 12)

Controleer na het aanbrengen altijd of de boor stevig in het gereedschap is bevestigd door te proberen deze eruit te trekken.

Om de boor te verwijderen, trekt u de boorkopmf helemaal omlaag en trekt u dan de boor eruit. (Fig. 13)

Boorhoek (bij beitelen, bikken of slopen)

(Fig. 14 en 15)

De boor kan in de gewenste hoek worden vastgezet. Om de boorhoek te veranderen, drukt u de vergrendelknop in en draait u de werksfunctie-keuzeknop naar het symbool . Draai de boor in de gewenste hoek.

Druk de vergrendelknop in en draai de werksfunctie-keuzeknop naar het symbool . Controleer daarna of de boor stevig op zijn plaats vastzit door deze iets te verdraaien.

Diepteaanslag (Fig. 16)

De diepteaanslag is handig voor het boren van gaten van gelijke diepte. Draai de zijhandgreep los en steek de diepteaanslag in de opening in de zijhandgreep. Stel de diepteaanslag af op de gewenste diepte en draai de zijhandgreep weer vast.

OPMERKING:

- De diepteaanslag kan niet worden gebruikt in een stand waarbij de diepteaanslag tegen het aandrijvingshuis aan komt.

Stofvanger (Fig. 17)


Gebruik de stofvanger om te voorkomen dat er stof op het gereedschap en op uzelf terecht komt wanneer u boven uw hoofd boort. Bevestig de stofvanger op de boor zoals aangegeven in de afbeelding. De diameter van de boren waaraan de stofvanger kan worden bevestigd is als volgt.

	Boordiameter
Stofvanger 5	6 mm – 14,5 mm
Stofvanger 9	12 mm – 16 mm

006382

BEDIENING

Gebruik als boorhamer (Fig. 18)

Draai de werksfunctie-keuzeknop naar het symbool .

Plaats de punt van de boor op de gewenste plaats waar het boorgat moet komen en druk vervolgens de trekkerschakelaar in.

Forceer het gereedschap niet. Een lichte druk geeft de beste resultaten.

Houd het gereedschap stevig vast en zorg dat de boor niet uit het gat wegglijdt.

Oefen geen grotere druk uit wanneer het boorgat verstopt raakt met schilfertjes of boorgruis. Laat in zo'n geval het gereedschap langzaam lopen en verwijder de boor gedeeltelijk uit het boorgat. Wanneer dit verschillende keren wordt herhaald, zal het boorgat schoon worden en kunt u normaal verder boren.

⚠ LET OP:

- Op het moment dat het boorgat doorbreekt, het boorgat verstopt raakt met schilfertjes of boorgruis, of de boorhamer de bewapening in het beton raakt, wordt er plotseling een enorme wringende kracht uitgeoefend op het gereedschap/de boor. Gebruik altijd de zijhandgreep (hulphandgreep) en houd het gereedschap tijdens gebruik stevig vast aan zowel de zijhandgreep als de schakelhandgreep. Als u dit niet doet, kunt u de macht over het gereedschap verliezen en mogelijk ernstig letsel veroorzaken.


OPMERKING:

- Wanneer het gereedschap onbelast wordt gebruikt, kan de boor soms excentrisch draaien. Het gereedschap centreert zichzelf automatisch tijdens het gebruik. Dit heeft geen nadelige invloed op de nauwkeurigheid van het boren.

Blaasbalgje (optioneel accessoire) (Fig. 19)

Gebruik na het boren het blaasbalgje om het stof uit het boorgat te blazen.


Beitelen/bikken/slopen (Fig. 20)

Draai de werksfunctie-keuzeknop naar het symbool .

Houd het gereedschap met beide handen stevig vast. Schakel het gereedschap in en oefen er enige kracht op uit zodat het gereedschap niet oncontroleerbaar in het rond springt. Het gereedschap werkt niet efficiënter als u grote druk op het gereedschap uitoefent.

Boren in hout of metaal (Fig. 21 en 22)

Gebruik de los verkrijgbare complete boorkop. Om deze aan te brengen, volgt u de aanwijzingen onder "Aanbrengen en verwijderen van de boor".

Stel de werksfunctie-keuzeknop zo in dat de wijzer naar het symbool  wijst.

Voor model DHR243 (Fig. 23, 24 en 25)


⚠ LET OP:

- Gebruik nooit "Ronddraaien met hameren" wanneer de complete boorkop op het gereedschap is aangebracht. De complete boorkop kan daardoor worden beschadigd. Bovendien zal de boorkop loskomen wanneer de draairichting van het gereedschap wordt omgekeerd.

Gebruik de snelwisselboorkop als standaarduitrusting.

Om deze aan te brengen, volgt u de aanwijzingen onder "De snelwisselkop voor SDS-plus vervangen".

Houd de ring op zijn plaats en draai de bus linksom om de klauwen van de boorkop te openen. Steek de boor zo ver mogelijk in de boorkop. Houd de ring stevig op zijn plaats en draai de bus rechtsom om de klauwen van de boorkop te sluiten. Om de boor te verwijderen, houdt u de ring op zijn plaats en draait u de bus linksom.

Draai de werksfunctie-keuzeknop naar het symbool . U kunt gaten tot een diameter van 13 mm in metaal boren en tot een diameter van 32 mm in hout.

LET OP:

- Gebruik nooit “Ronddraaien met hameren” wanneer de snelwisselboorkop op het gereedschap is aangebracht. De snelwisselboorkop kan daardoor worden beschadigd. Bovendien zal de boorkop loskomen wanneer de draairichting van het gereedschap wordt omgekeerd.
- Het boren zal niet sneller verlopen als u hard op het gereedschap drukt. In feite zal dergelijk hard drukken alleen maar leiden tot beschadiging van de boor, mindere prestaties van het gereedschap en verkorting van de levensduur van het gereedschap.
- Op het moment dat het boorgat doorbreekt wordt een enorme wringende kracht uitgeoefend op het gereedschap/de boor. Houd het gereedschap stevig vast en let vooral goed op wanneer de boor door het werkstuk heen breekt.
- Een vastgelopen boorkop kan eenvoudig verwijderd worden door de draairichting te veranderen met de omkeerschakelaar, om zo de boorkop los te halen. Houd het gereedschap daarbij wel stevig vast, want er is kans op een plotselinge terugslag.
- Zet kleinere werkstukken altijd vast in een bankschroef of dergelijke veiligheidsklem.

ONDERHOUD

LET OP:

- Zorg er altijd voor dat het gereedschap is uitgeschakeld en de accu is verwijderd, voordat u enige inspectie of onderhoud uitvoert.
- Gebruik nooit benzine, wasbenzine, verdunner, alcohol, enz. Dat kan leiden tot verkleuren, vervormen of barsten.

Om de VEILIGHEID en BETROUWBAARHEID van het gereedschap te verzekeren, dienen alle reparaties, inspectie en vervanging van koolborstels, en alle andere onderhoudswerkzaamheden of afstellingen te worden uitgevoerd door een erkend Makita servicecentrum, en dit uitsluitend met gebruik van originele Makita vervangingsonderdelen.

OPTIONELE ACCESSOIRES

LET OP:

- Deze accessoires en hulpstukken zijn aanbevolen voor gebruik met uw Makita gereedschap zoals voorgeschreven in deze handleiding. Het gebruik van enige andere accessoires of hulpstukken kan gevaar voor lichamelijk letsel opleveren. Gebruik accessoires en hulpstukken alleen voor hun voorgeschreven toepassing.

Als u advies nodig hebt omtrent deze accessoires, raadpleegt u dan uw plaatselijke Makita servicecentrum.

- SDS-Plus boren met hardmetalen carbide punt
- Puntbeitel
- Koudbeitel
- Bikbeitel
- Sleuvenbeitel
- Complete boorkop
- Boorkop S13
- Boorkopadapter
- Boorkopsleutel S13
- Boorvet
- Zijhandgreep
- Diepteaanslag
- Blaasbalgje
- Stofvangter
- Stofafzuig-aansluitstuk
- Veiligheidsbril
- Plastic draagkoffer
- Sleutellose boorkop
- Diverse typen originele Makita accu's en acculaders

OPMERKING:

- Sommige van de onderdelen in deze lijst kunnen bijgeleverd zijn als standaard-accessoires. Deze accessoires kunnen per land verschillend zijn.

Geluidsniveau

De typisch, A-gewogen geluidsniveaus vastgesteld volgens EN60745:

Model DHR242

Geluidsdrukniveau (L_{pA}): 90 dB (A)
 Geluidsenergie-niveau (L_{WA}): 101 dB (A)
 Onnauwkeurigheid (K): 3 dB (A)

Model DHR243

Geluidsdrukniveau (L_{pA}): 89 dB (A)
 Geluidsenergie-niveau (L_{WA}): 100 dB (A)
 Onnauwkeurigheid (K): 3 dB (A)

Draag oorbeschermers

ENG900-1

Trilling

De totaalwaarde van de trillingen (triaxiale vectorsom) vastgesteld volgens EN60745:

Model DHR242

Toepassing: klopboren in beton
 Trillingsemisatie ($a_{h,HD}$): 13,5 m/s²
 Onnauwkeurigheid (K): 1,5 m/s²

Toepassing: beitelen

Trillingsemisatie ($a_{h,ChEq}$): 10,5 m/s²
 Onnauwkeurigheid (K): 1,5 m/s²

Toepassing: boren in metaal

Trillingsemisatie ($a_{h,D}$): 3,5 m/s²
 Onnauwkeurigheid (K): 1,5 m/s²

Model DHR243

Toepassing: klopboren in beton
 Trillingsemisatie ($a_{h,HD}$): 13 m/s²
 Onnauwkeurigheid (K): 1,5 m/s²

Toepassing: beitelen

Trillingsemisatie ($a_{h,ChEq}$): 11 m/s²
 Onnauwkeurigheid (K): 1,5 m/s²

Toepassing: boren in metaal

Trillingsemisatie ($a_{h,D}$): 2,5 m/s² of lager
 Onnauwkeurigheid (K): 1,5 m/s²

ENG901-1

- De opgegeven trillingsemisiewaarde is gemeten volgens de standaardtestmethode en kan worden gebruikt om dit gereedschap te vergelijken met andere gereedschappen.
- De opgegeven trillingsemisiewaarde kan ook worden gebruikt voor een beoordeling vooraf van de blootstelling.

⚠ WAARSCHUWING:

- De trillingsemisatie tijdens het gebruik van het elektrisch gereedschap in de praktijk kan verschillen van de opgegeven trillingsemisiewaarde afhankelijk van de manier waarop het gereedschap wordt gebruikt.
- Zorg ervoor dat veiligheidsmaatregelen worden getroffen ter bescherming van de operator die zijn gebaseerd op een schatting van de blootstelling onder praktijkomstandigheden (rekening houdend met alle fasen van de bedrijfscyclus, zoals de tijdsduur gedurende welke het gereedschap is uitgeschakeld en stationair draait, naast de ingeschakelde tijdsduur).

Alleen voor Europese landen**EU-Verklaring van Conformiteit**

Wij, Makita Corporation, als de verantwoordelijke fabrikant, verklaren dat de volgende Makita-machine(s):

Aanduiding van de machine: Snoerloze combinatiehamer
 Modelnr./Type: DHR242, DHR243
 in serie zijn geproduceerd en

Voldoen aan de volgende Europese richtlijnen:
 2006/42/EC

En zijn gefabriceerd in overeenstemming met de volgende normen of genormaliseerde documenten:
 EN60745

De technische documentatie wordt bewaard door onze erkende vertegenwoordiger in Europa, te weten:

Makita International Europe Ltd.
 Michigan Drive, Tongwell,
 Milton Keynes, Bucks MK15 8JD, Engeland

6.21.2011



Tomoyasu Kato
 Directeur

Makita Corporation
 3-11-8, Sumiyoshi-cho,
 Anjo, Aichi, 446-8502, JAPAN