

# GENESIS II

E-335 GBS • S-335 GBS • E-435 GBS • S-435 GBS

## ASSEMBLY GUIDE

Before you begin



Enhance your assembly experience.

Download the free BILT™ app for  
3D step-by-step instructions.



54674

100818  
EN

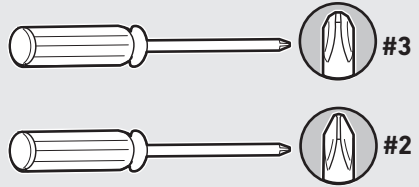


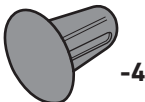
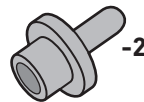
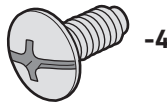
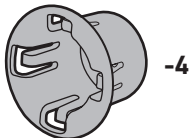
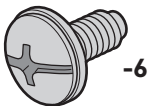
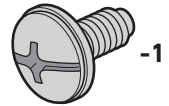
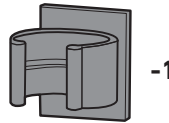
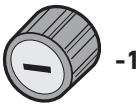
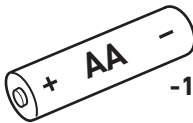
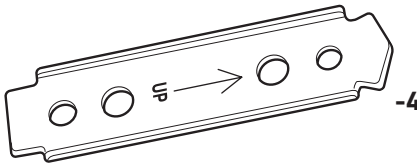
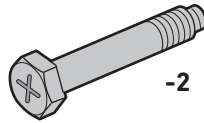
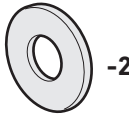
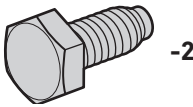
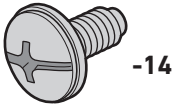
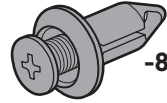
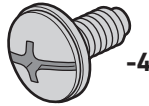
- △ Assemble grill on a flat, level, and soft surface.
- △ Remove protective film from stainless steel parts before installing.
- △ Do not use power tools for assembly.
- △ Two people required for assembly.
- △ There may be visual differences between illustrations and model purchased.
- △ Always keep lid closed when assembling or moving your grill.

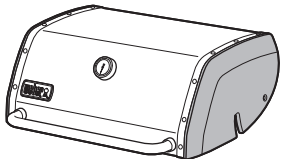
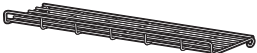



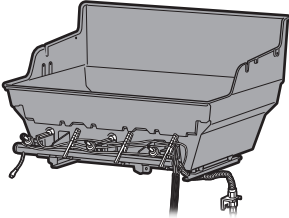
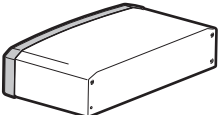
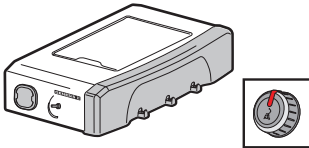
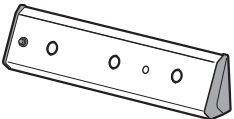

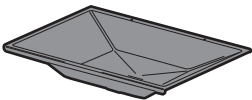
**TOOLS INCLUDED:**

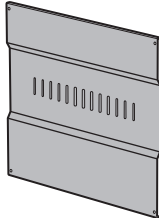
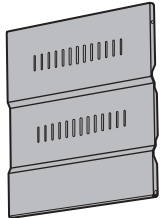
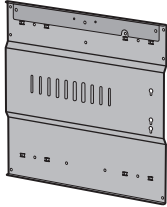
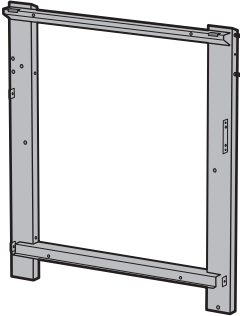
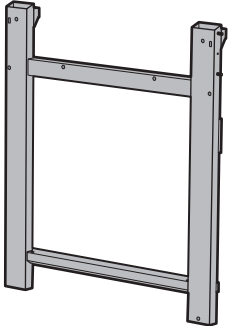




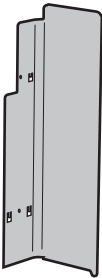
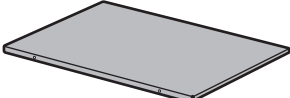
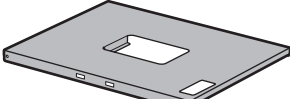






**TOOLS REQUIRED:**




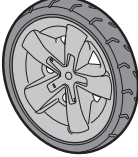



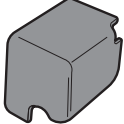
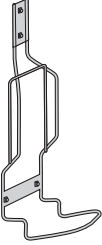




335	435	
1	1	
1	1	
2	2	
1	1	
1	1	
1	1	
1	1	
1	1	
1	1	
2	2	
1	1	

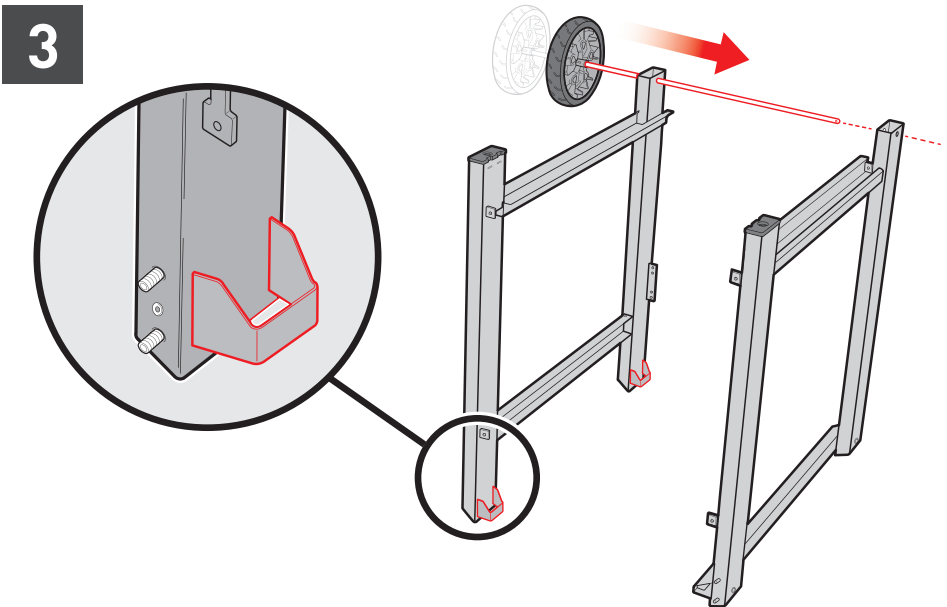
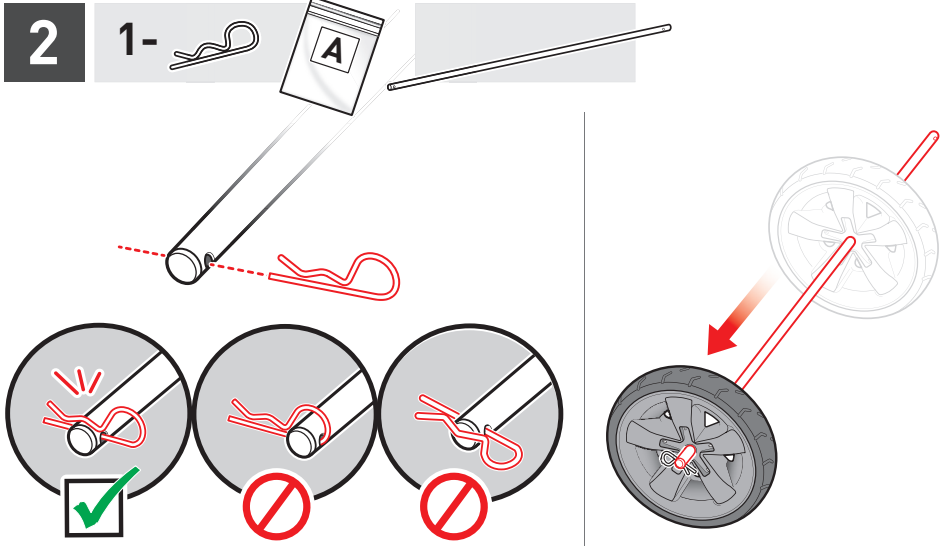
335	435	
1	1	
1	1	
1	1	
1	1	
1	1	
1	1	

335	435	
1	1	
1	1	
1	1	
1	1	
1	1	
1	1	
5	7	
3	4	
1	1	
1	1	

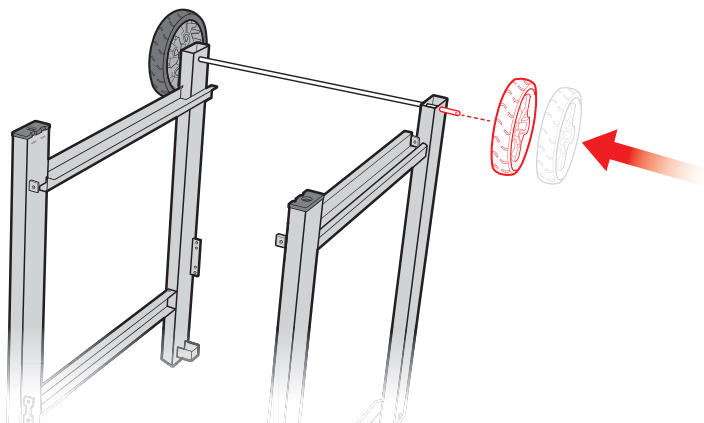
335	435	
1	1	
1	1	
2	2	
2	2	
2	2	
3	4	
1	1	
1	1	
1	1	

# 1 BILT.

• Download the free BILT app for 3D step-by-step instructions.

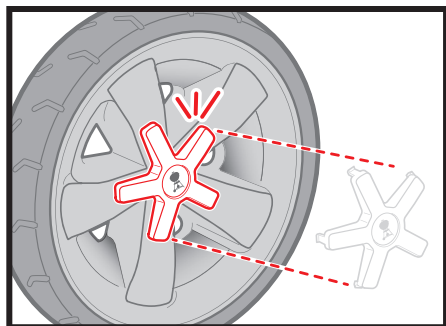
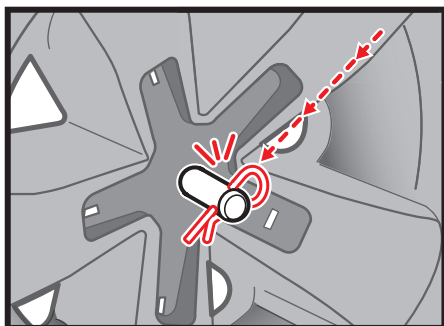
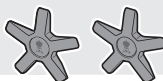


4

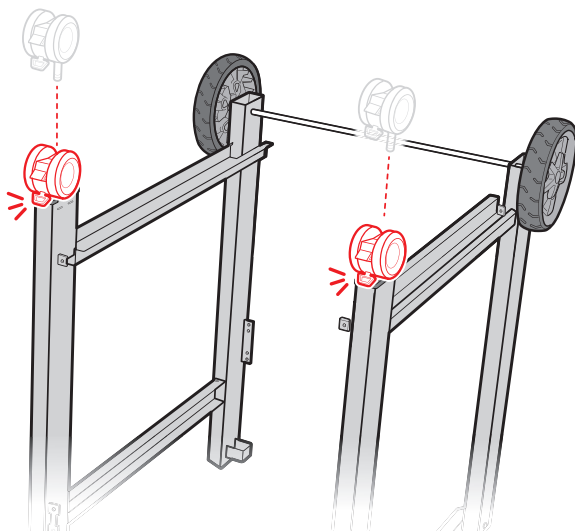
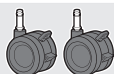


5

1-

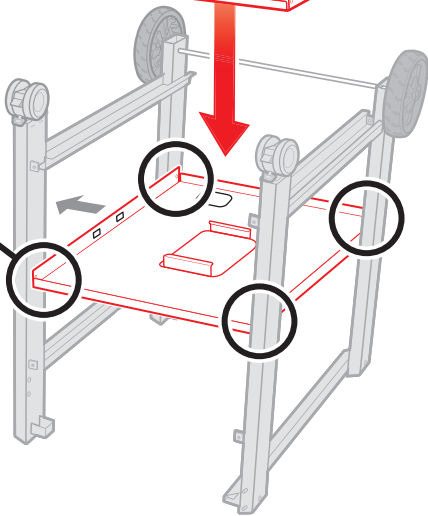
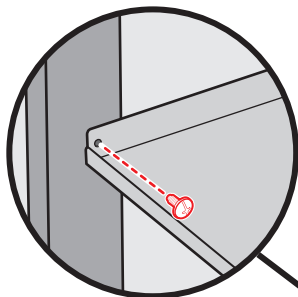
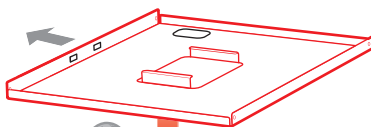


6



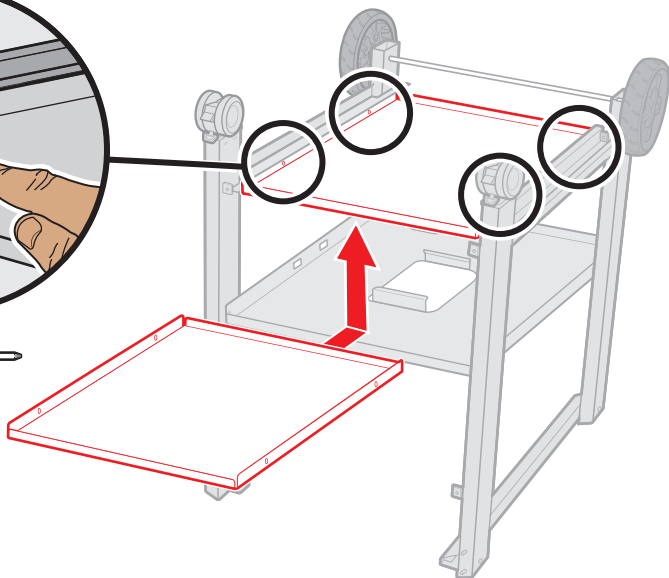
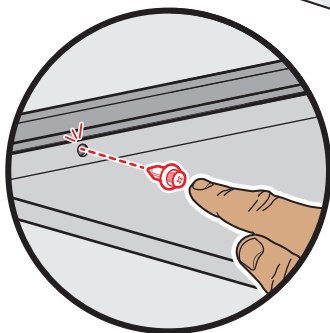
7

4-



8

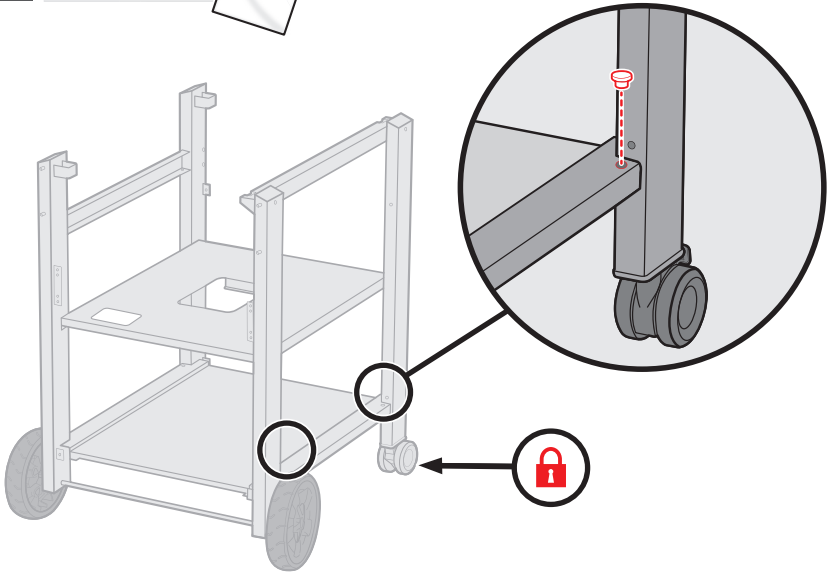
4-





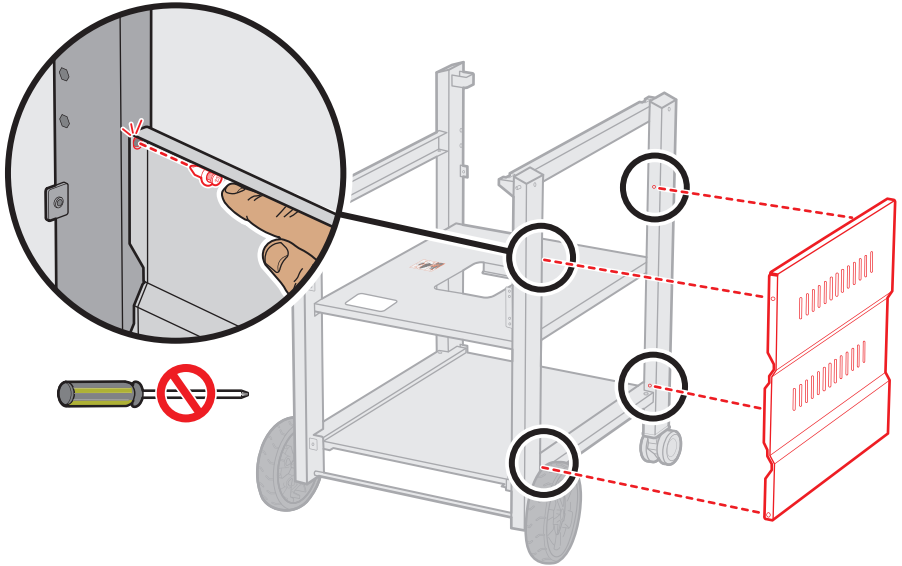
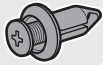
9

2-



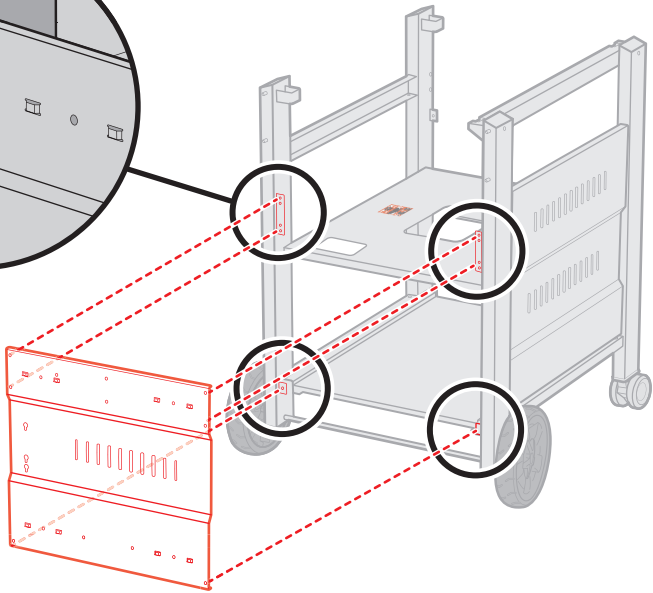
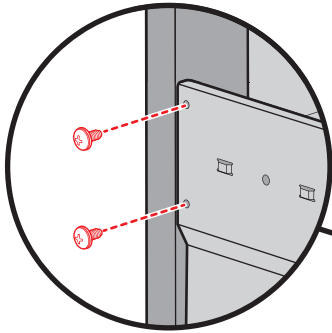
10

4-



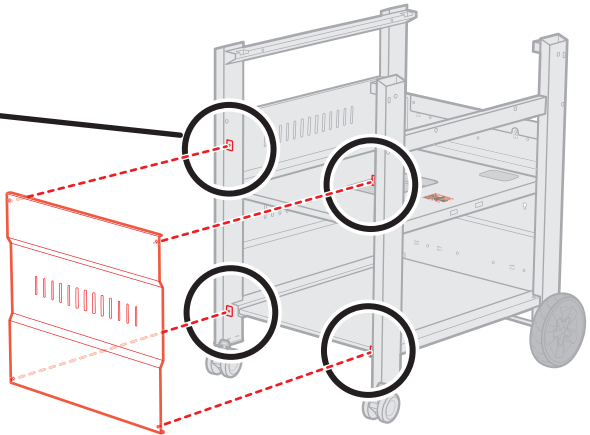
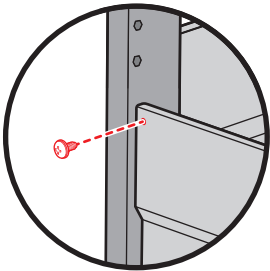
11

6-

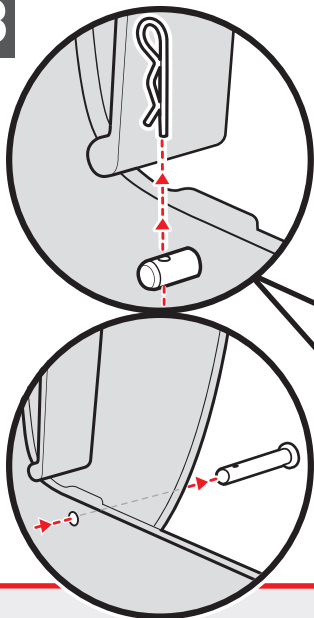


12

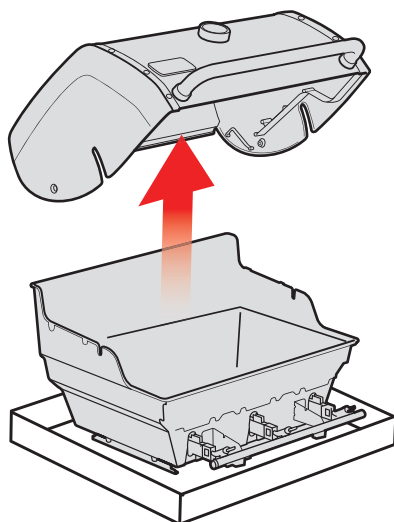
4-



13



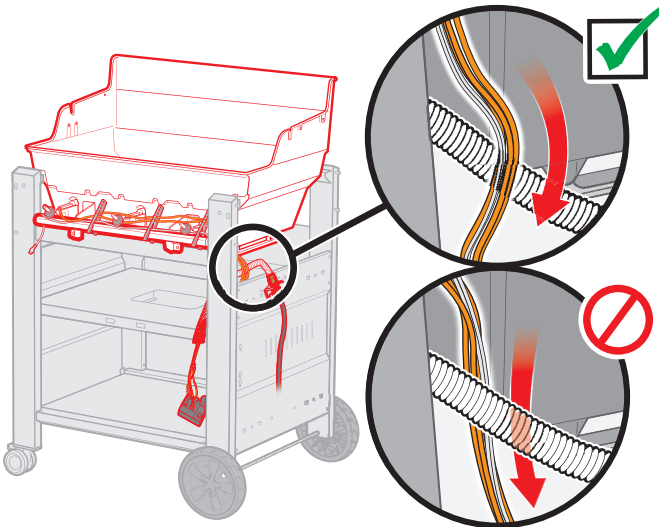
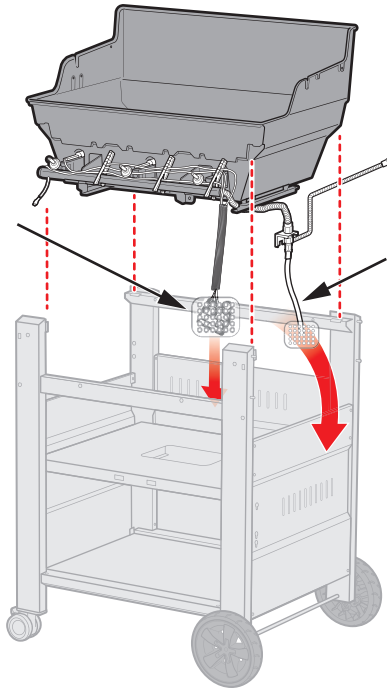
⚠ Save hardware.



**⚠ IMPORTANT!**

Wires and module must be routed to the inside of the grill frame.

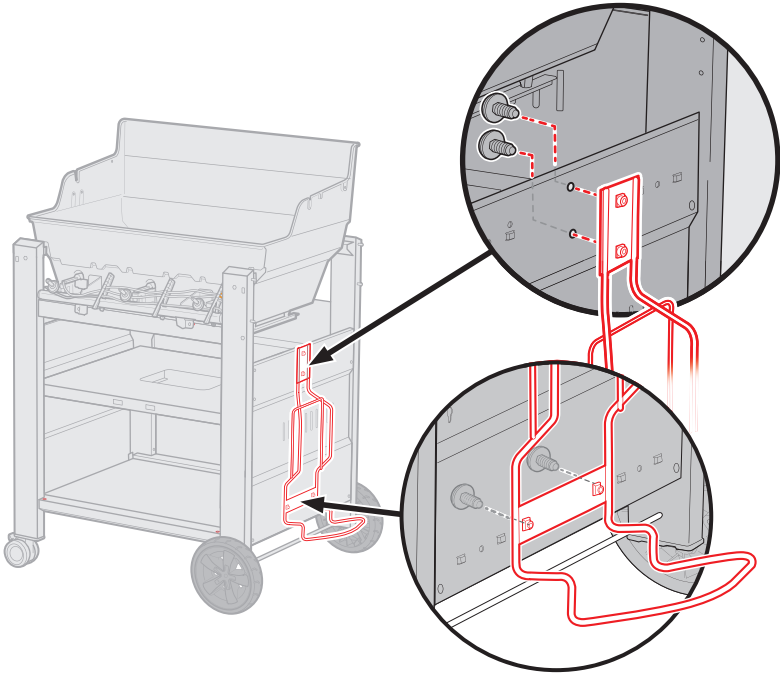
Gas line must be routed on the **OUTSIDE** of the grill frame.



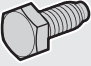
Route wires to the outside of the corrugated gas line.

15

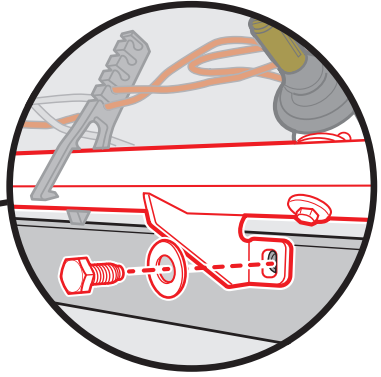
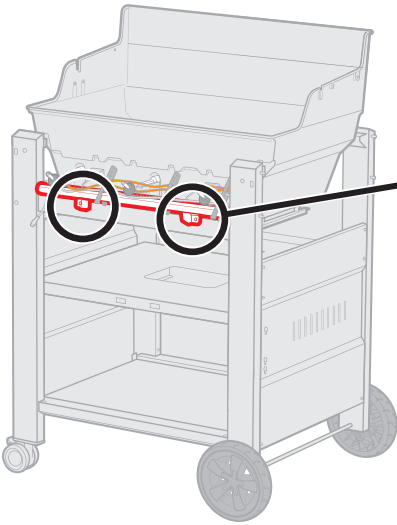
4-



16

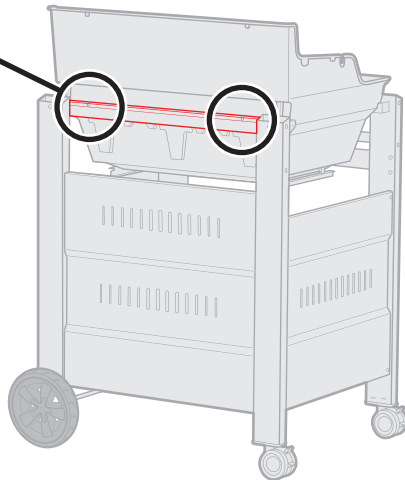
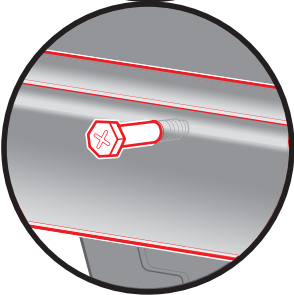
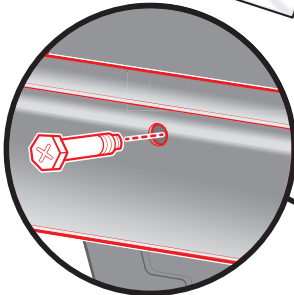
2- 

2- 



17

2- 

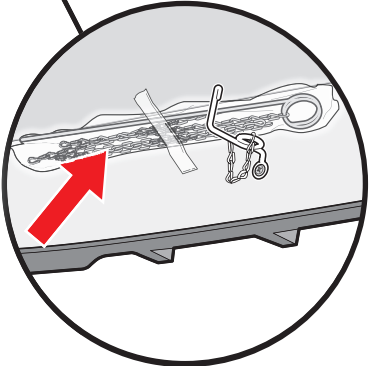
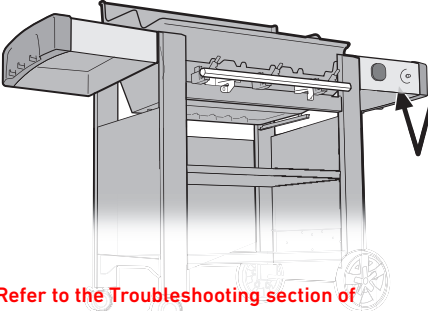
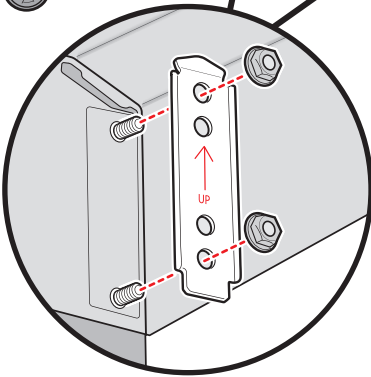
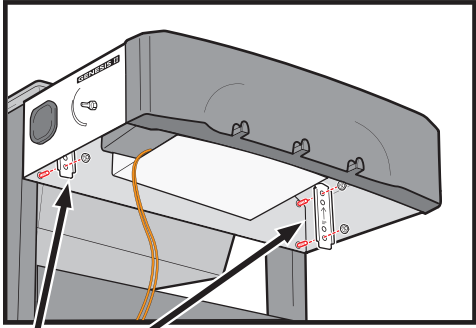
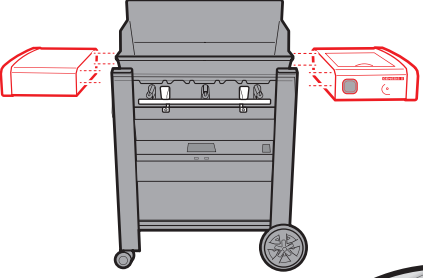
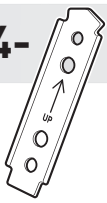


18

8-

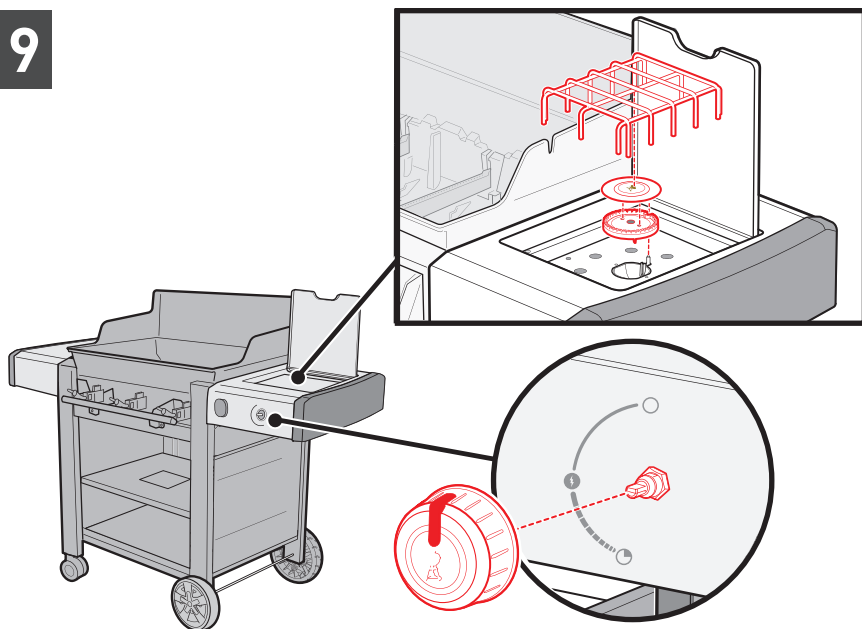


4-

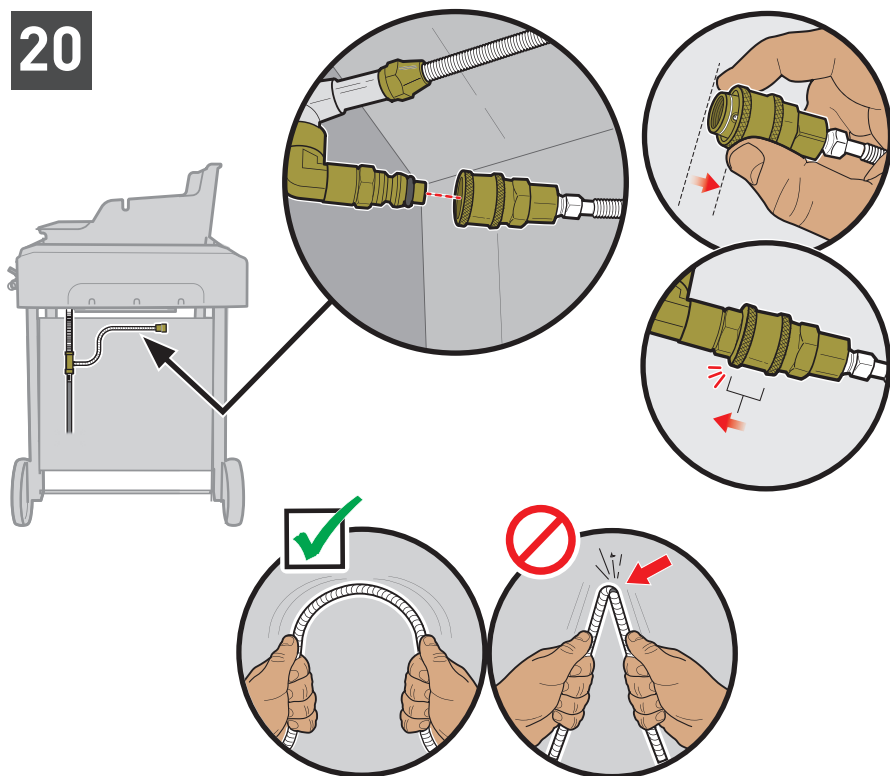


⚠ Refer to the Troubleshooting section of your Owner's Guide for match lighting instructions.

19

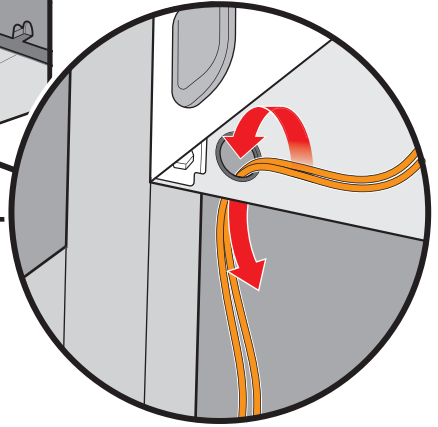
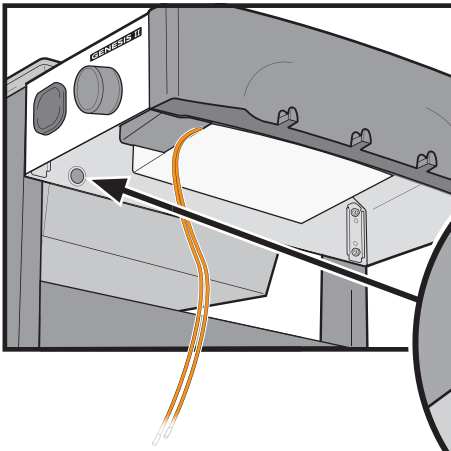


20





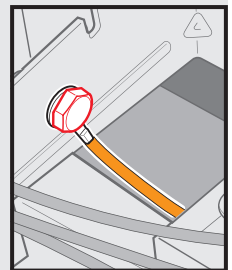
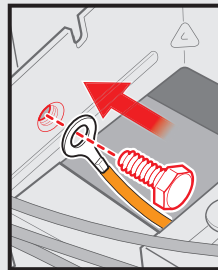
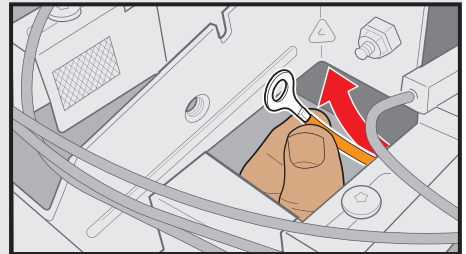
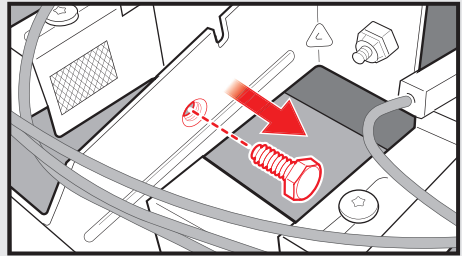
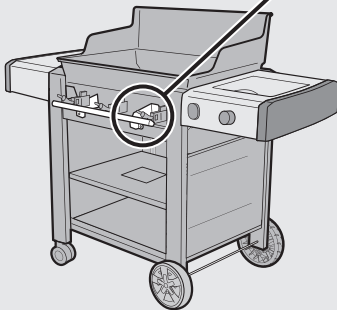
21



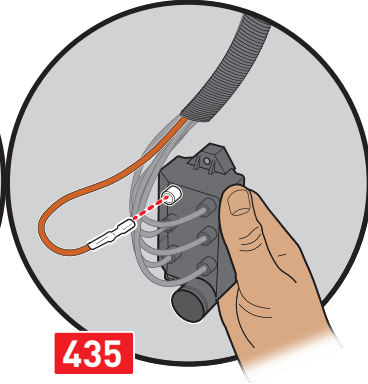
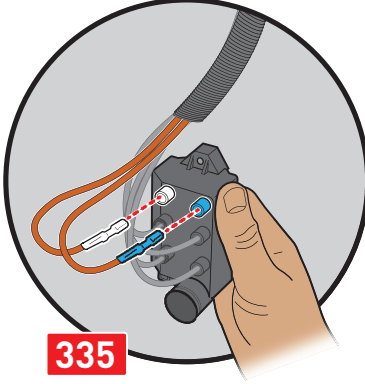
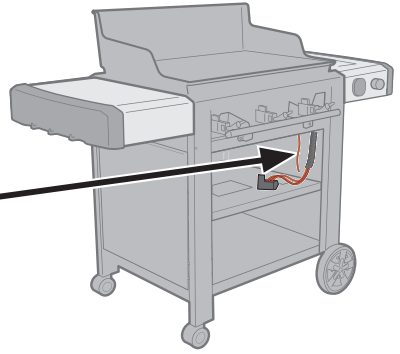
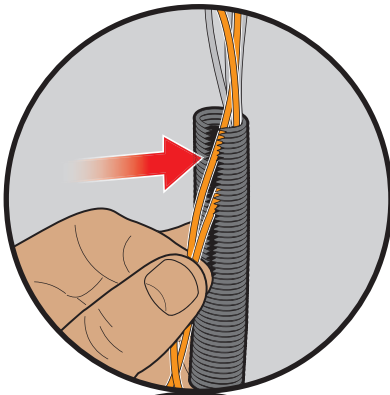
22



**⚠ 435 MODELS ONLY:** Ring connector must be securely fastened to manifold with screw.

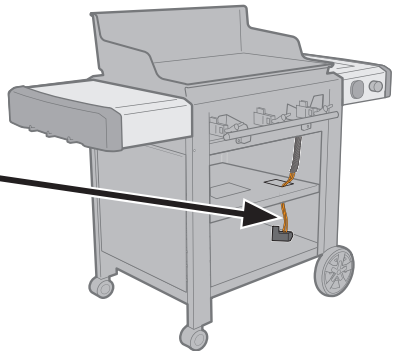
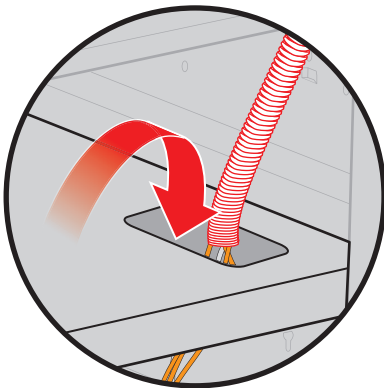


23

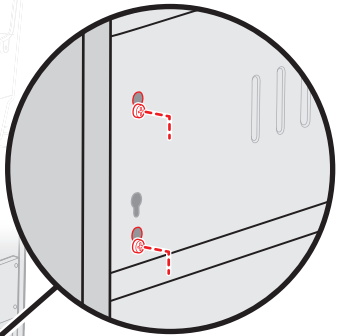
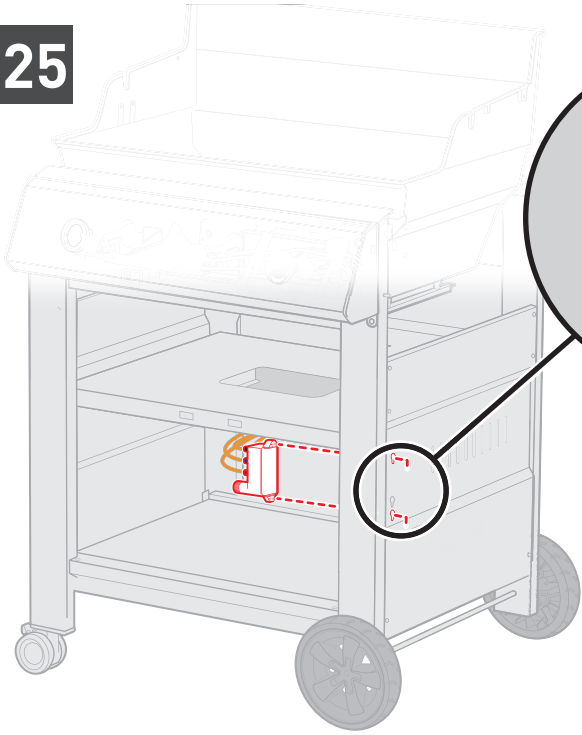


Insert wire(s) into tube, then attach wire(s) to ignition module.

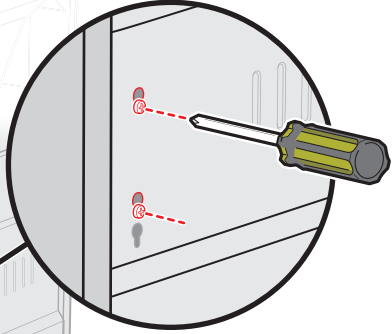
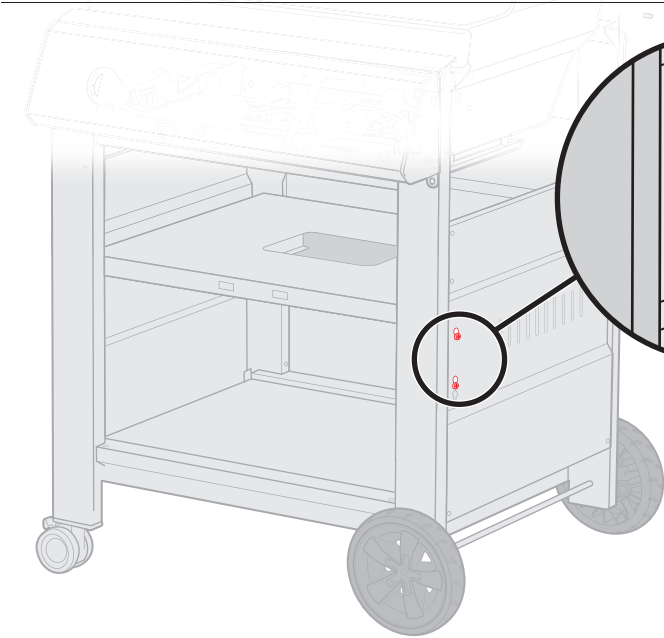
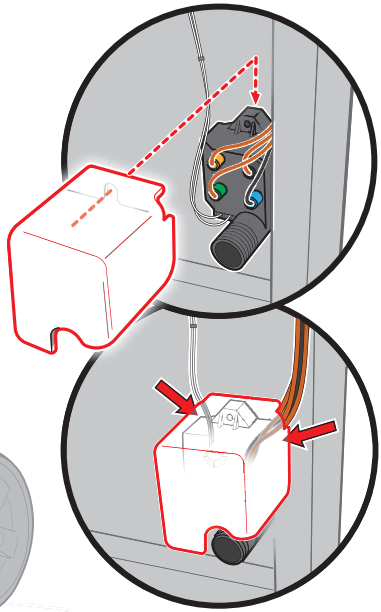
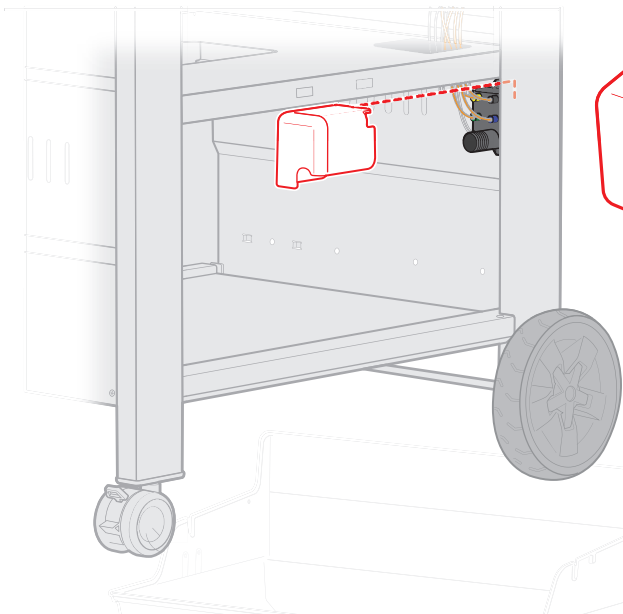
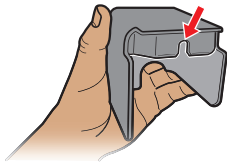
24



25



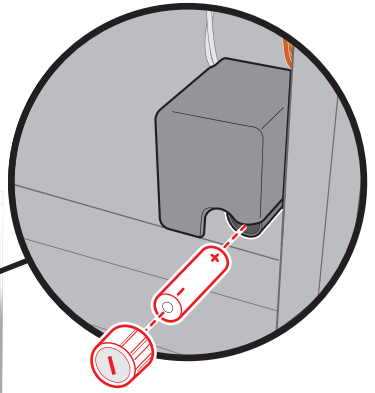
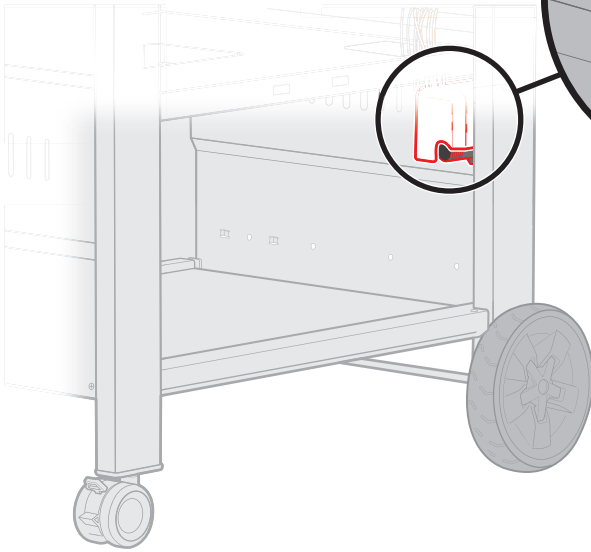
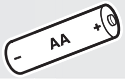
⚠ Do not tighten screws at this time.



27

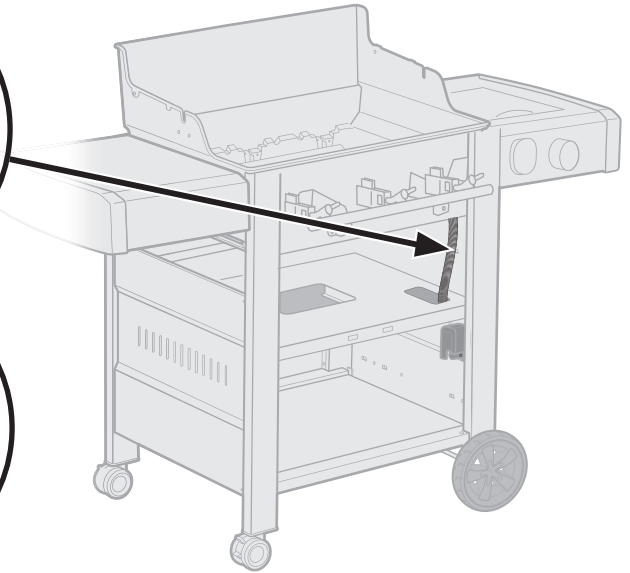
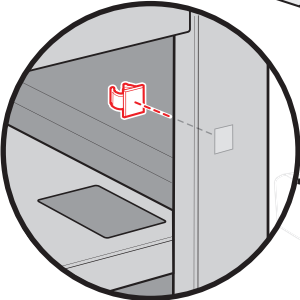
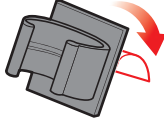
1-

1-



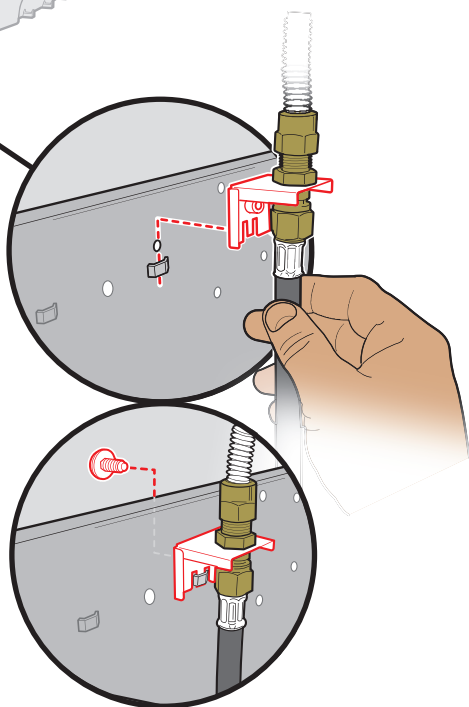
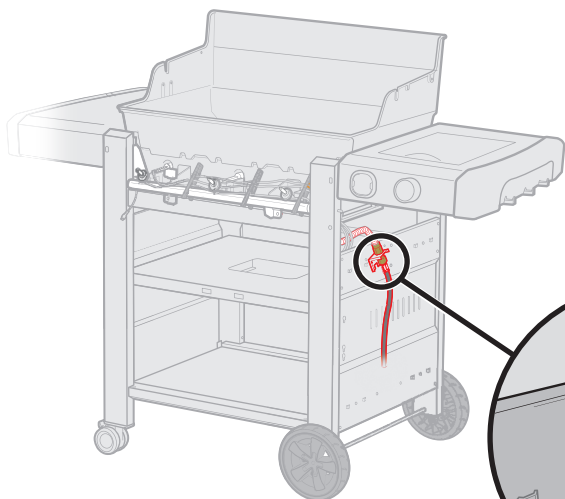
28

1-



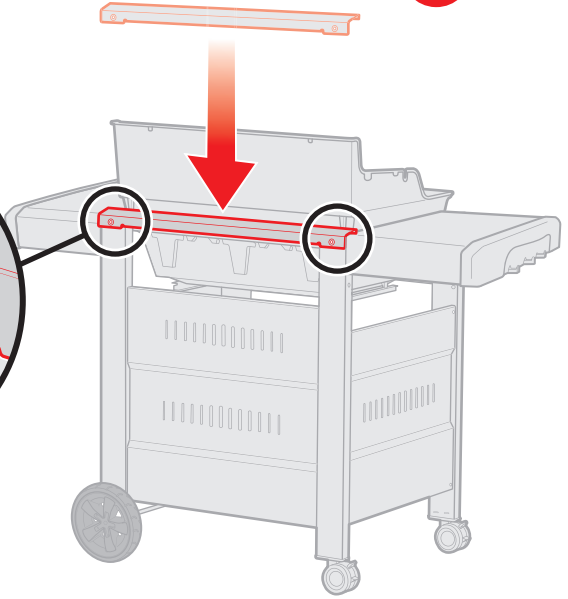
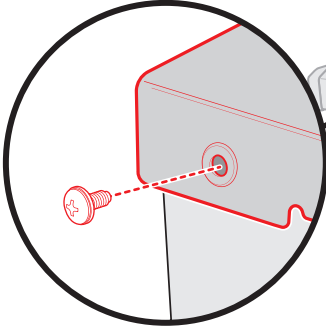
29

1-

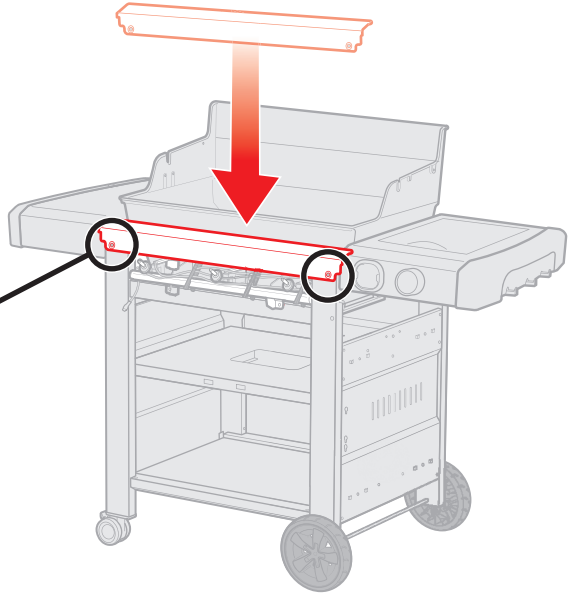
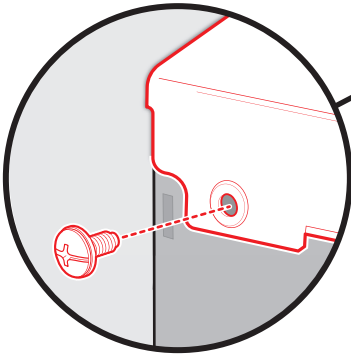


**30**

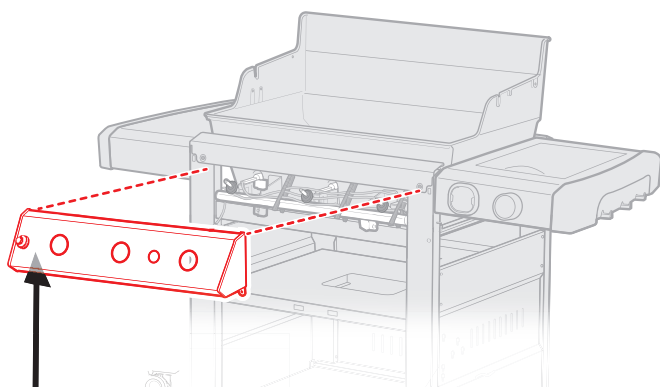
2-

**31**

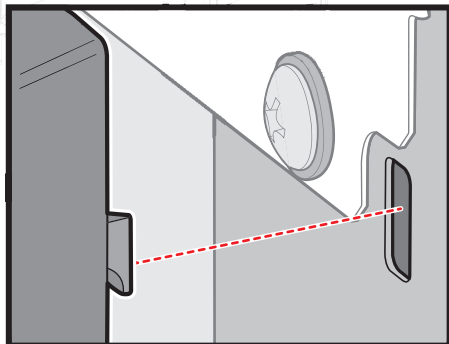
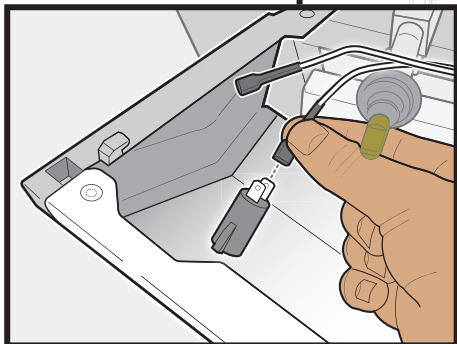
2-



32

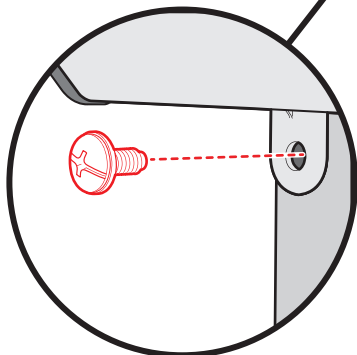
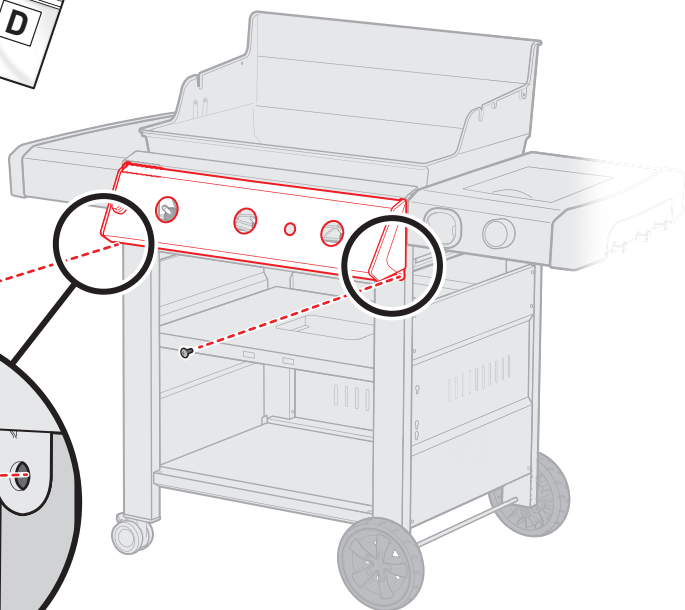


Attach wires.



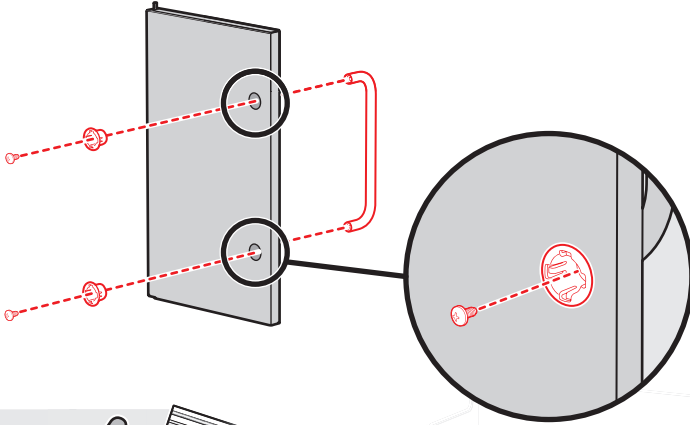
33

2-

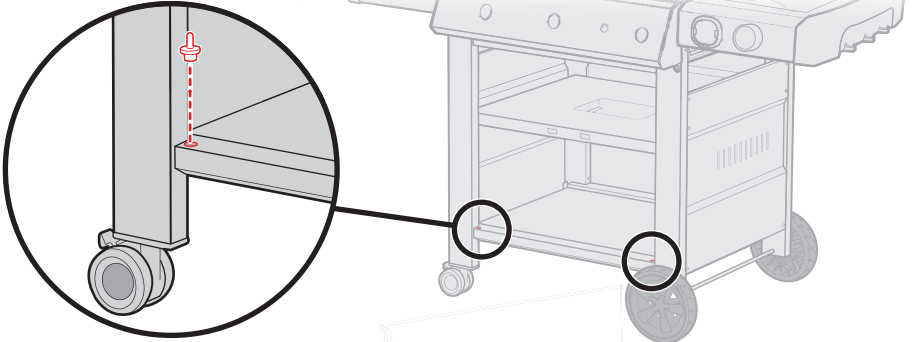
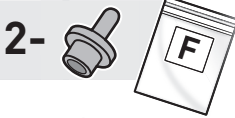




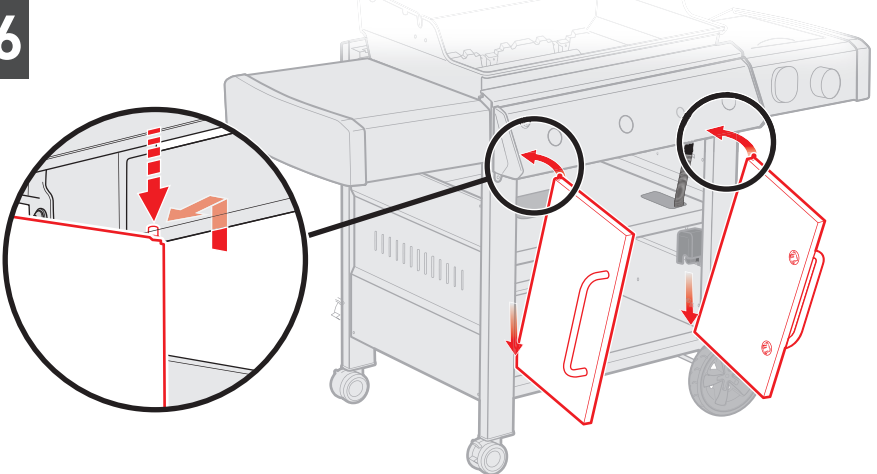
34



35

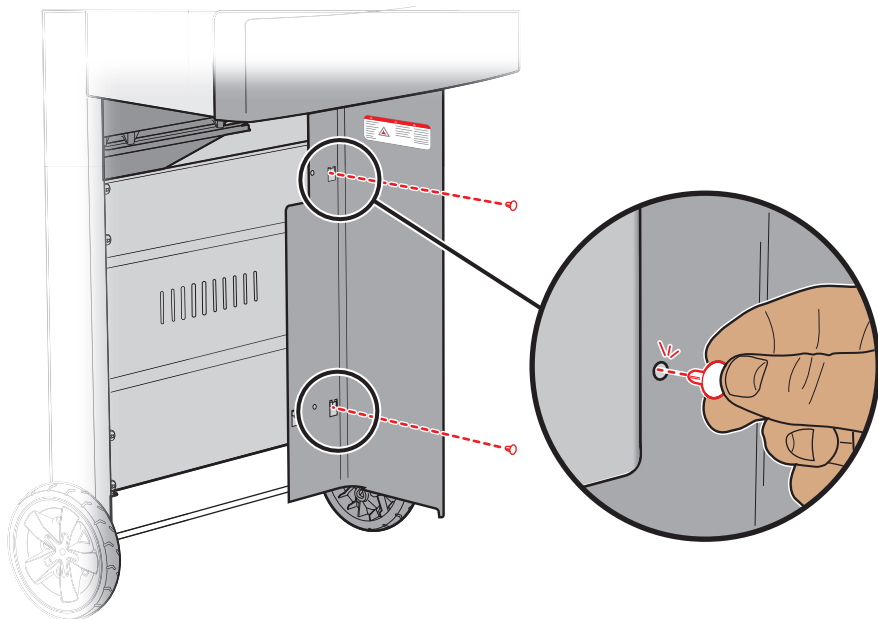
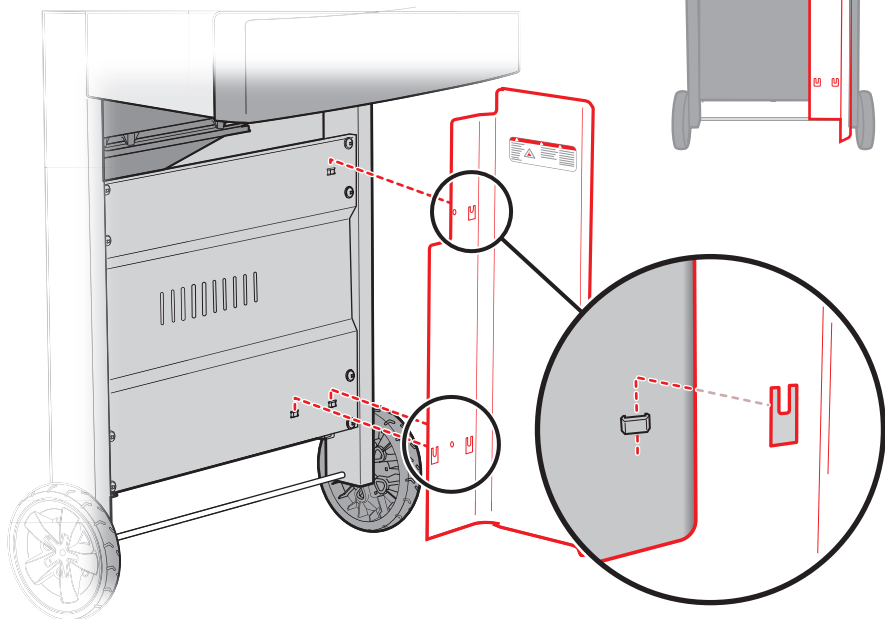
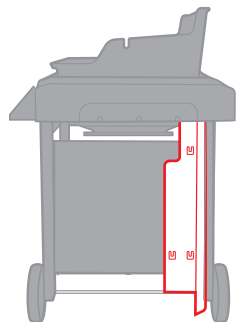


36



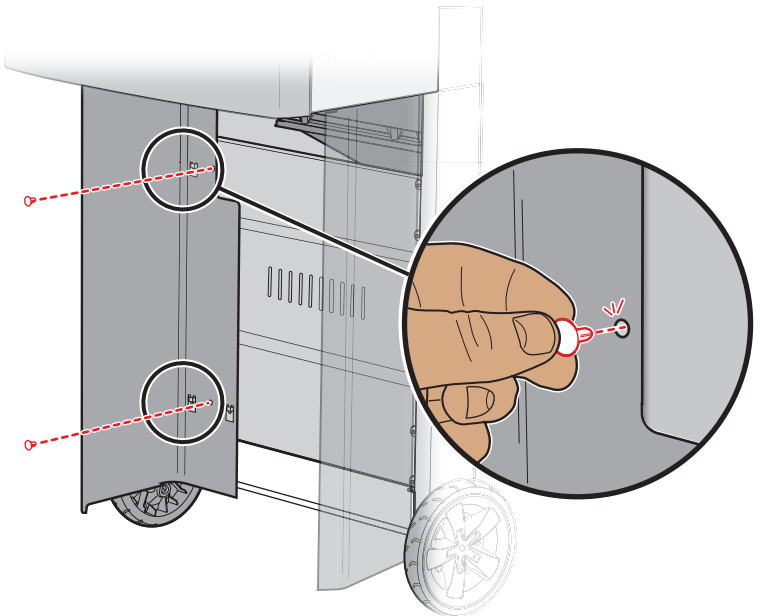
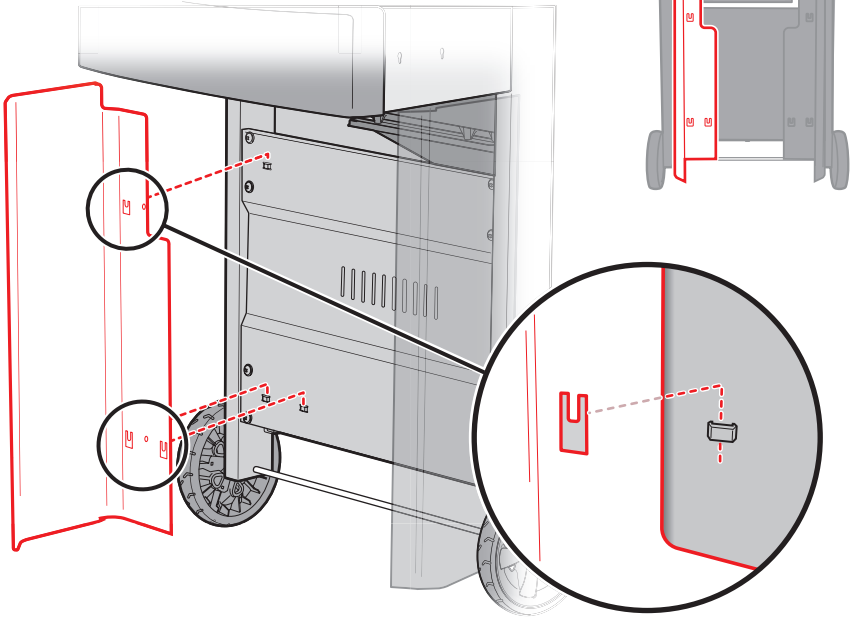
37

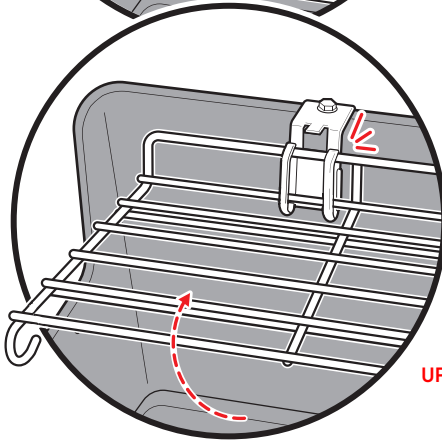
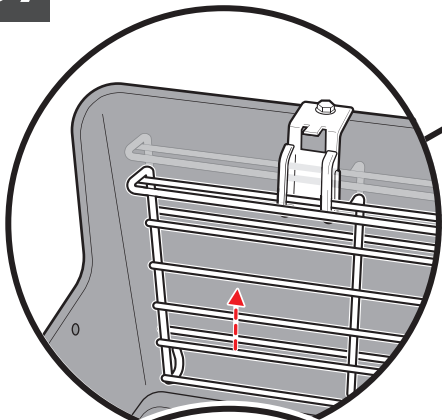
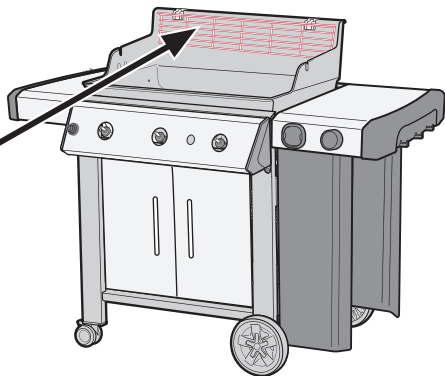
2-



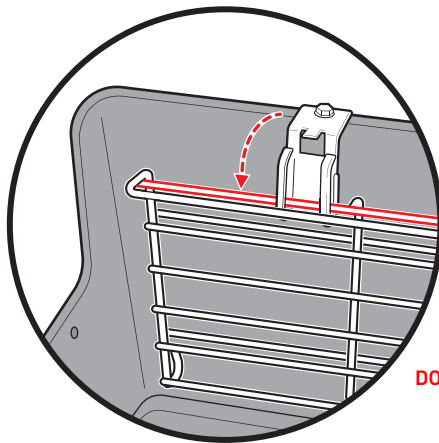
38

2-





UP

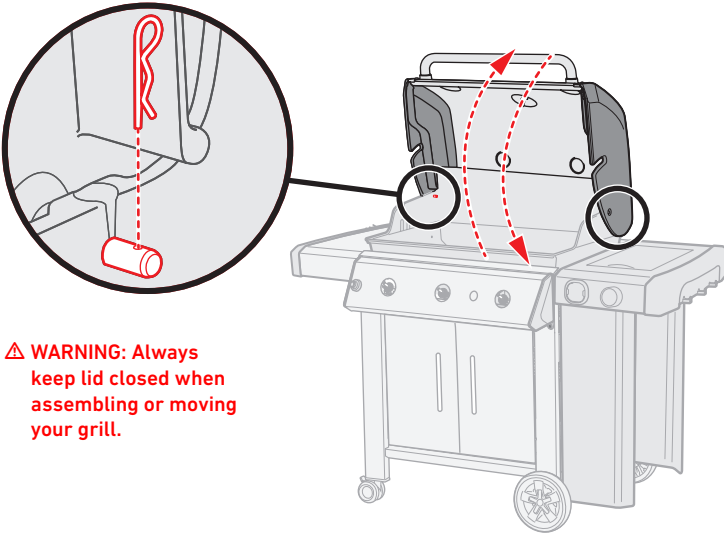
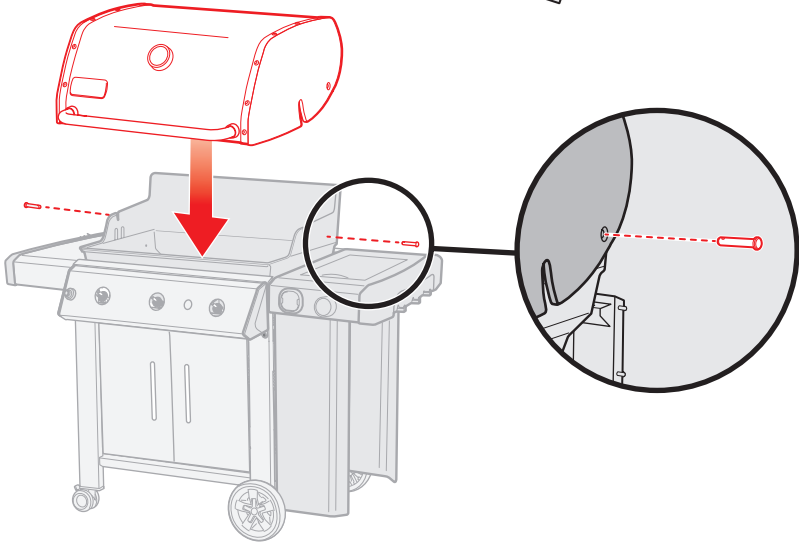
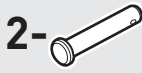


DOWN



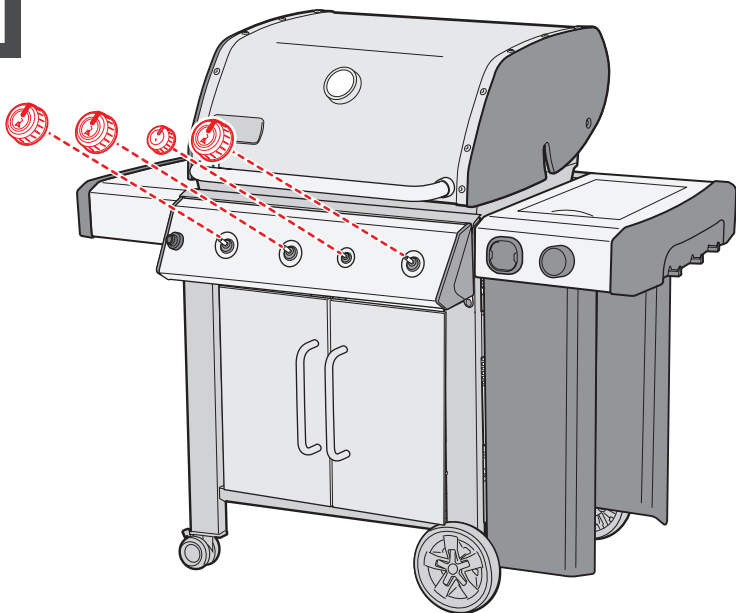
⚠ Use gloves or tool to raise or lower warming rack while grill is hot or in use.

40



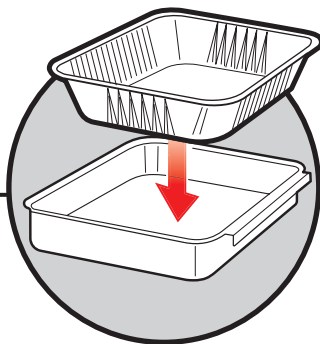
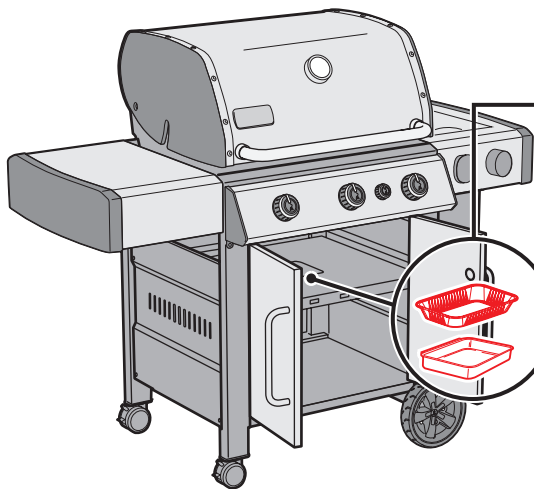
**⚠ WARNING: Always keep lid closed when assembling or moving your grill.**

41

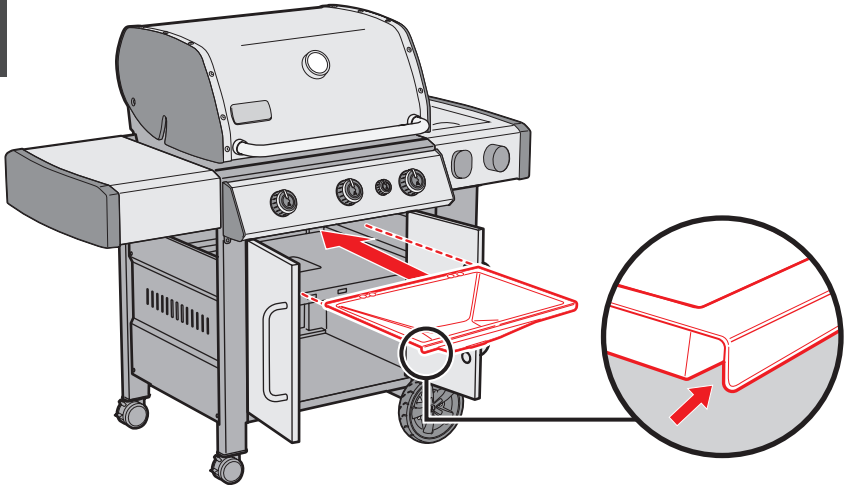


42

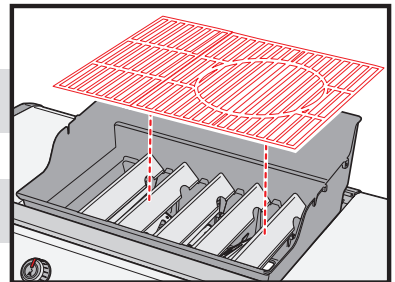
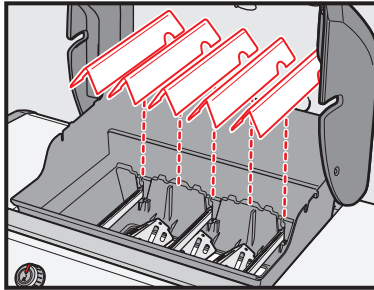
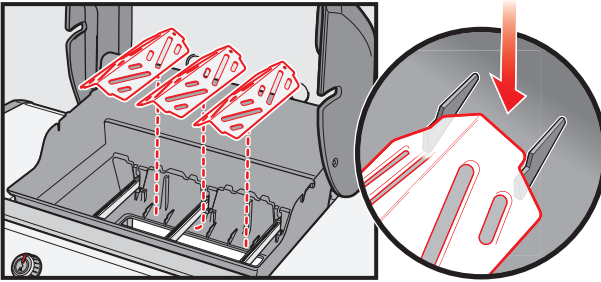
1-  1- 



43



44



Register Today.



Apple and the Apple logo are trademarks of Apple Inc., registered in the U.S. and other countries. App Store is a service mark of Apple Inc. Android and Google Play are trademarks of Google Inc.