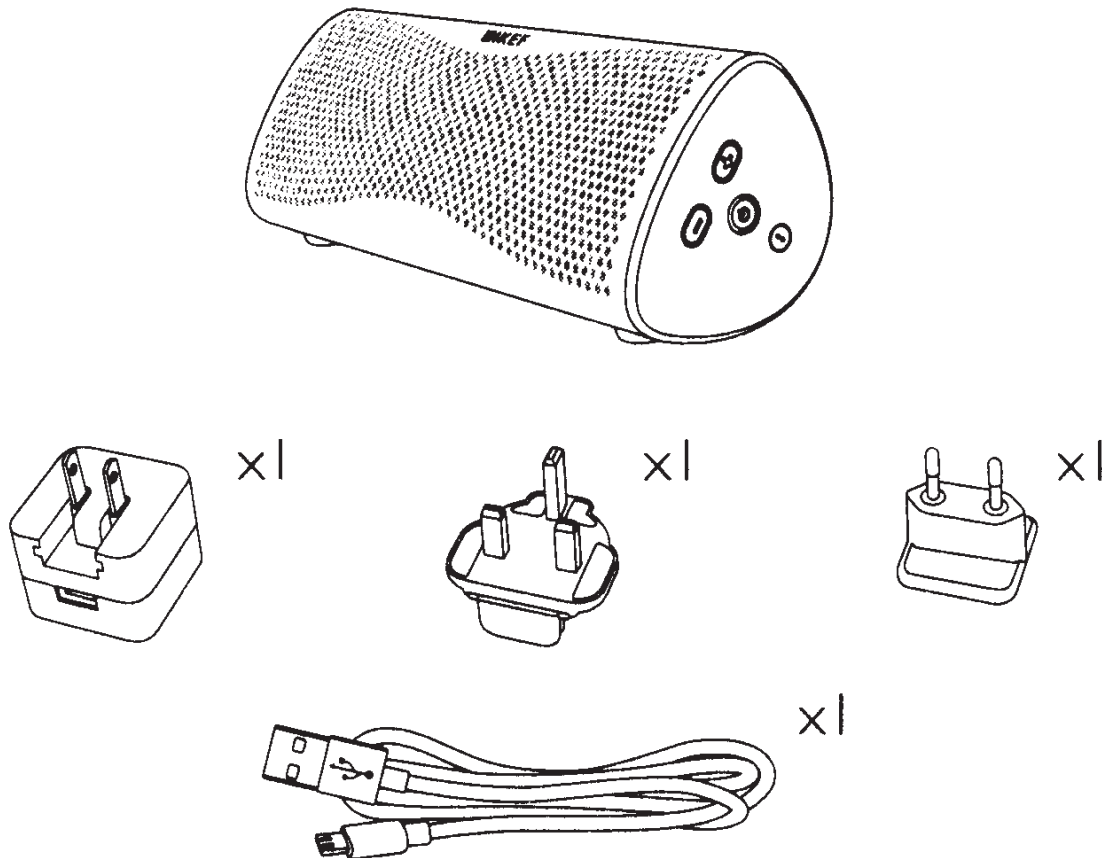


QUICK START GUIDE

MUO

In the Box

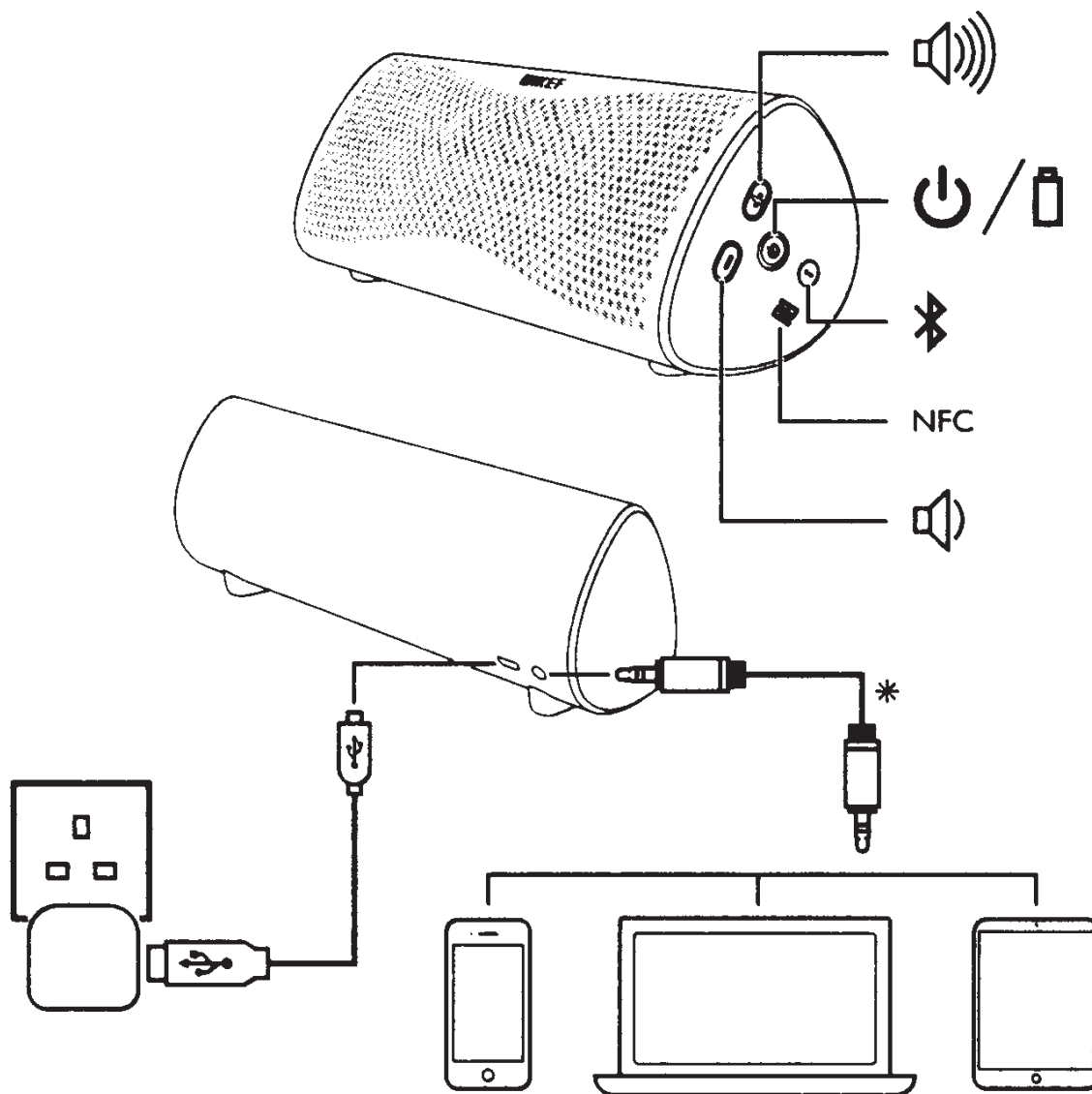
(DEU) Packungsinhalt (FRA) Dans le carton (SPA) En la caja
(JPN) 付属品 (CHI-T) 盒内 (CHI-S) 盒内 (KOR) In the box



- (ENG) * Contents vary by region
- (DEU) * Inhalte variieren nach Ländern
- (FRA) * Le contenu varie selon le pays
- (SPA) * Contenido varían según la región
- (JPN) * 内容は国によって異なります。
- (CHI-T) * 盒内配件會因不同銷售地區而略有不同
- (CHI-S) * 内容因区域不同而不同
- (KOR) * 내용은 지역에 따라 상이할 수 있음

Controls and Connections

(DEU) Bedienelemente und Anschlüsse (FRA) Commandes et
Connections (SPA) Controles y conexiones (JPN) コントロー
ル機器や接続ケーブルは (CHI-T) 控制與連接 (CHI-S) 控制和连接
(KOR) 콘트롤과 연결

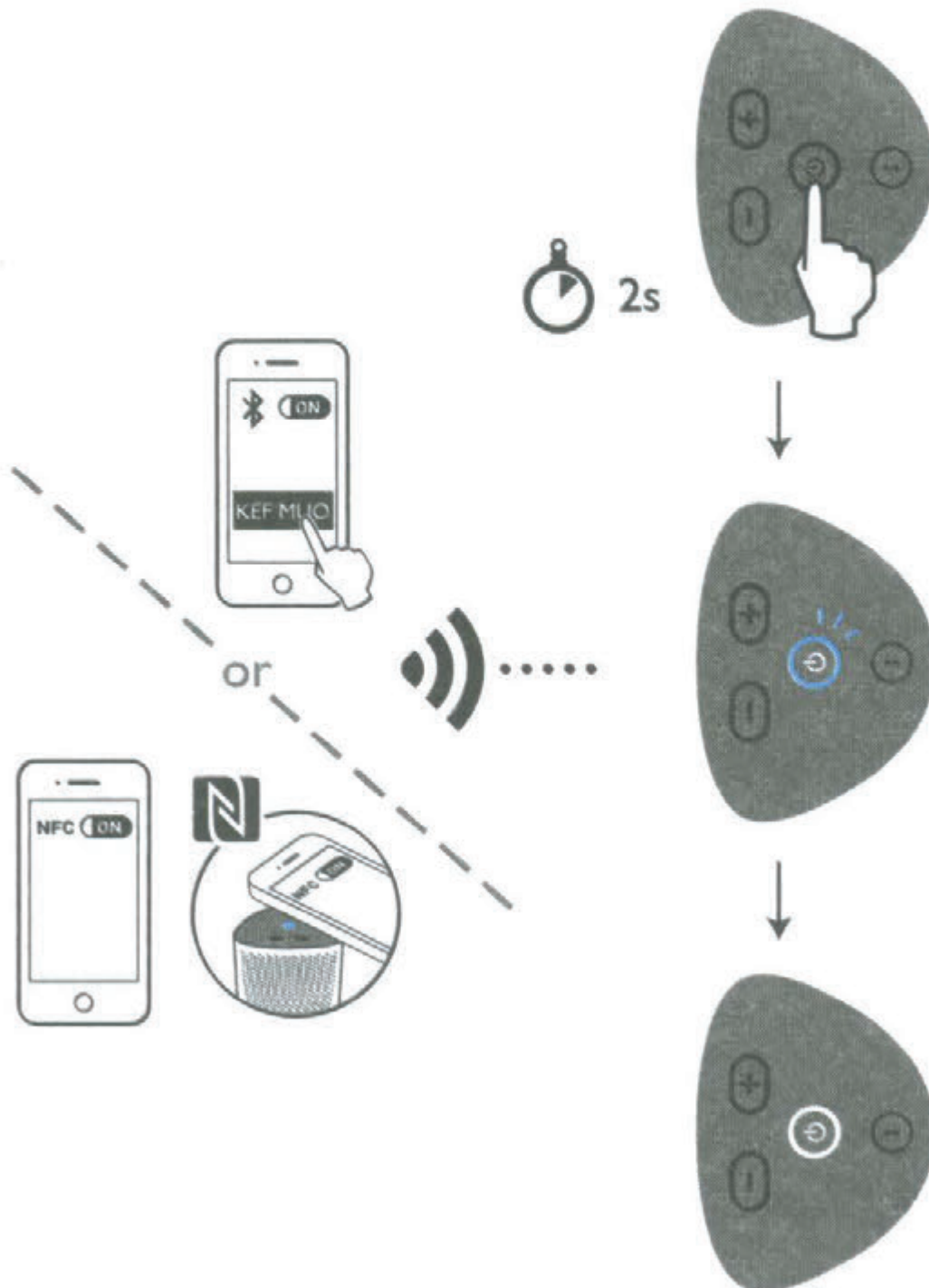


(ENG) * Not included
(DEU) * Nicht enthalten
(FRA) * Non inclus
(SPA) * No incluido

(JPN) * 含まれておりません
(CHI-T) * 不包含
(CHI-S) * 未包含
(KOR) * Not included

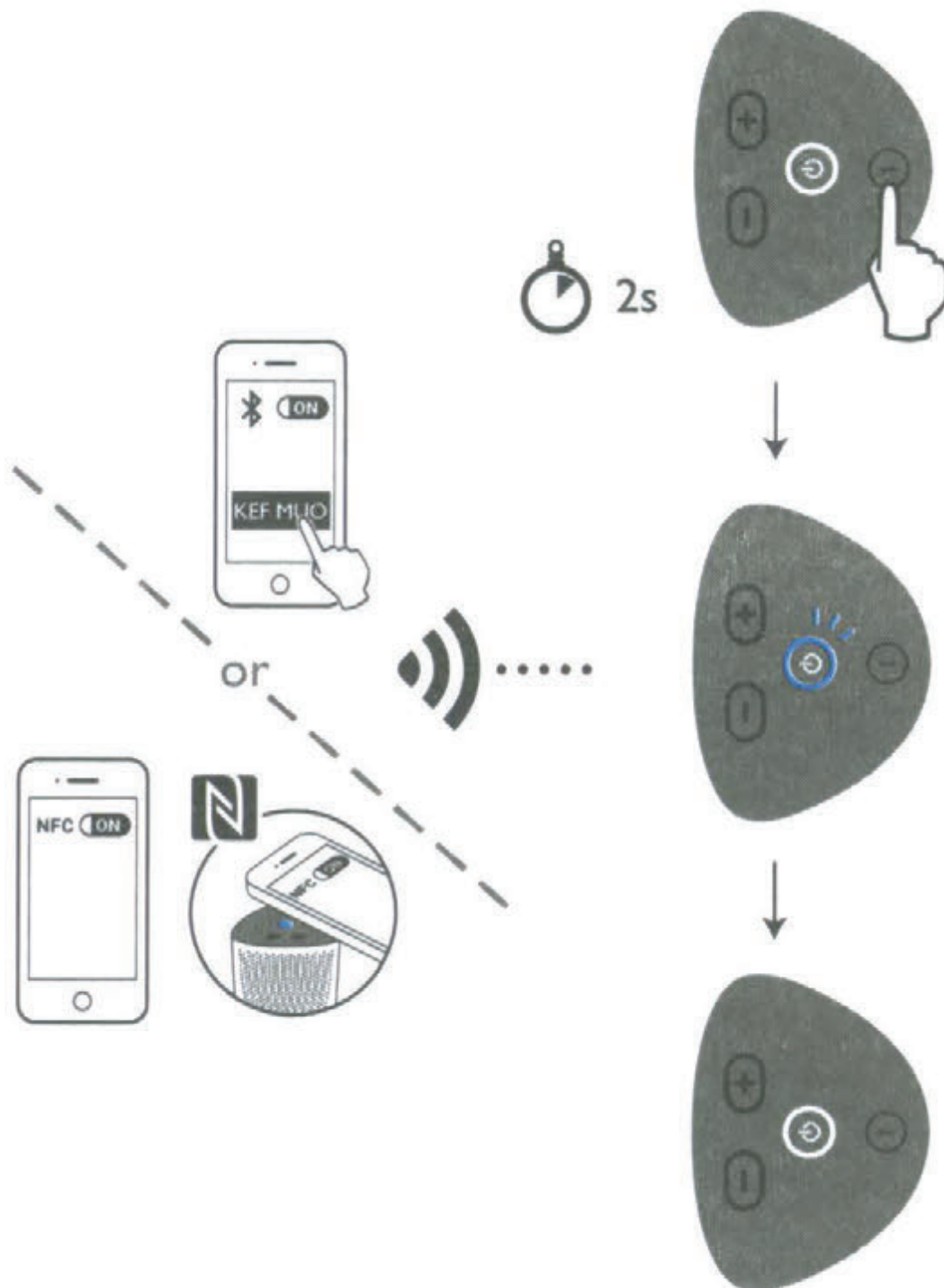
Get Started

(DEU) Erste Schritte (FRA) Démarrer (SPA) Empieza
(JPN) 始めましょう (CHI-T) 開始使用 (CHI-S) 开始使用
(KOR) 시작하기



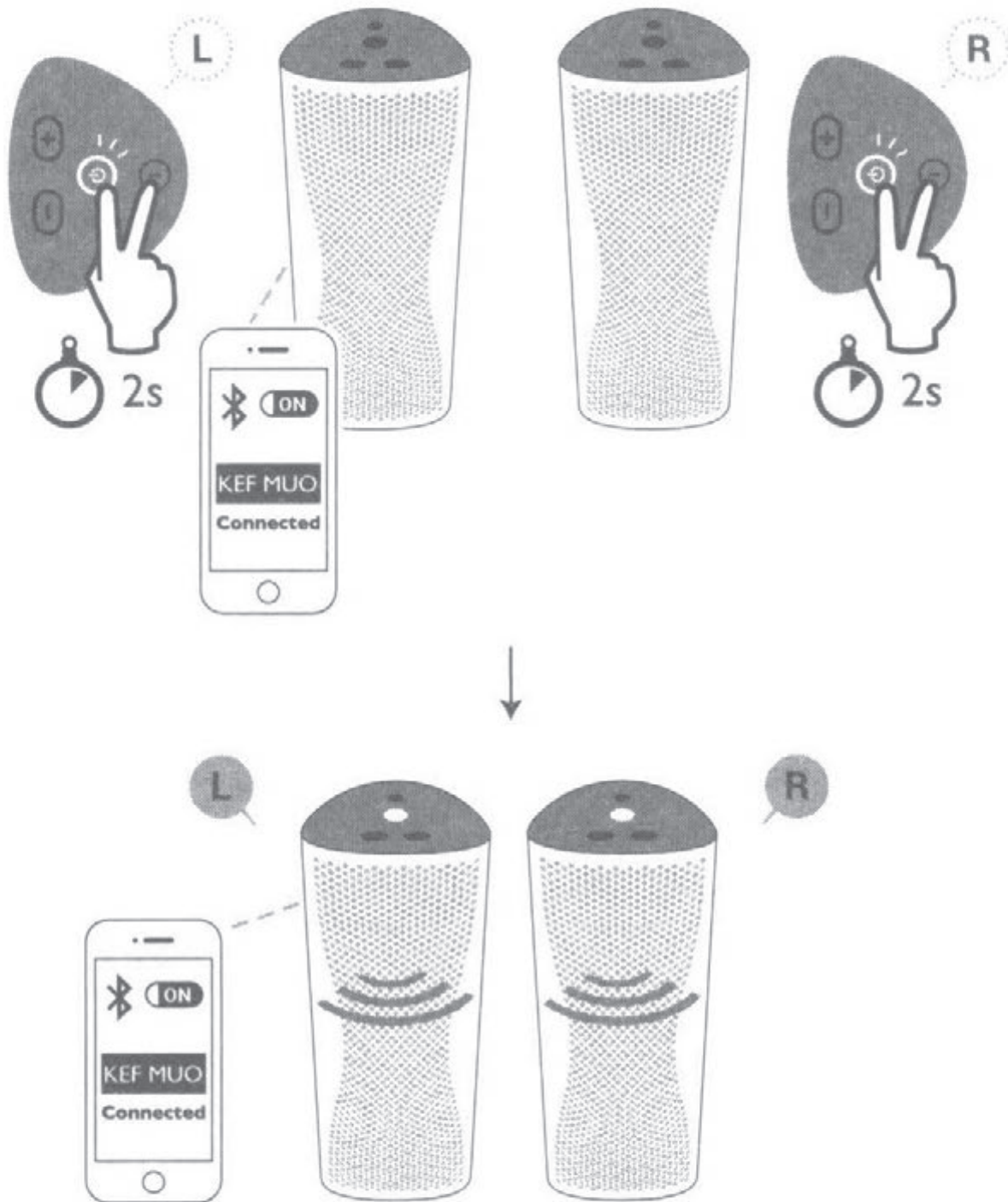
Pair New Bluetooth Device

(DEU) Neues Bluetooth-Gerät verbinden (FRA) Appairer le nouveau système Bluetooth (SPA) Acoplar nuevo dispositivo Bluetooth (JPN) Bluetooth Deviceのペアリング (CHI-T) 配對藍芽裝置 (CHI-S) 配對新的藍牙設備 (KOR) 새로운 블루투스 장비와 페어링 하기



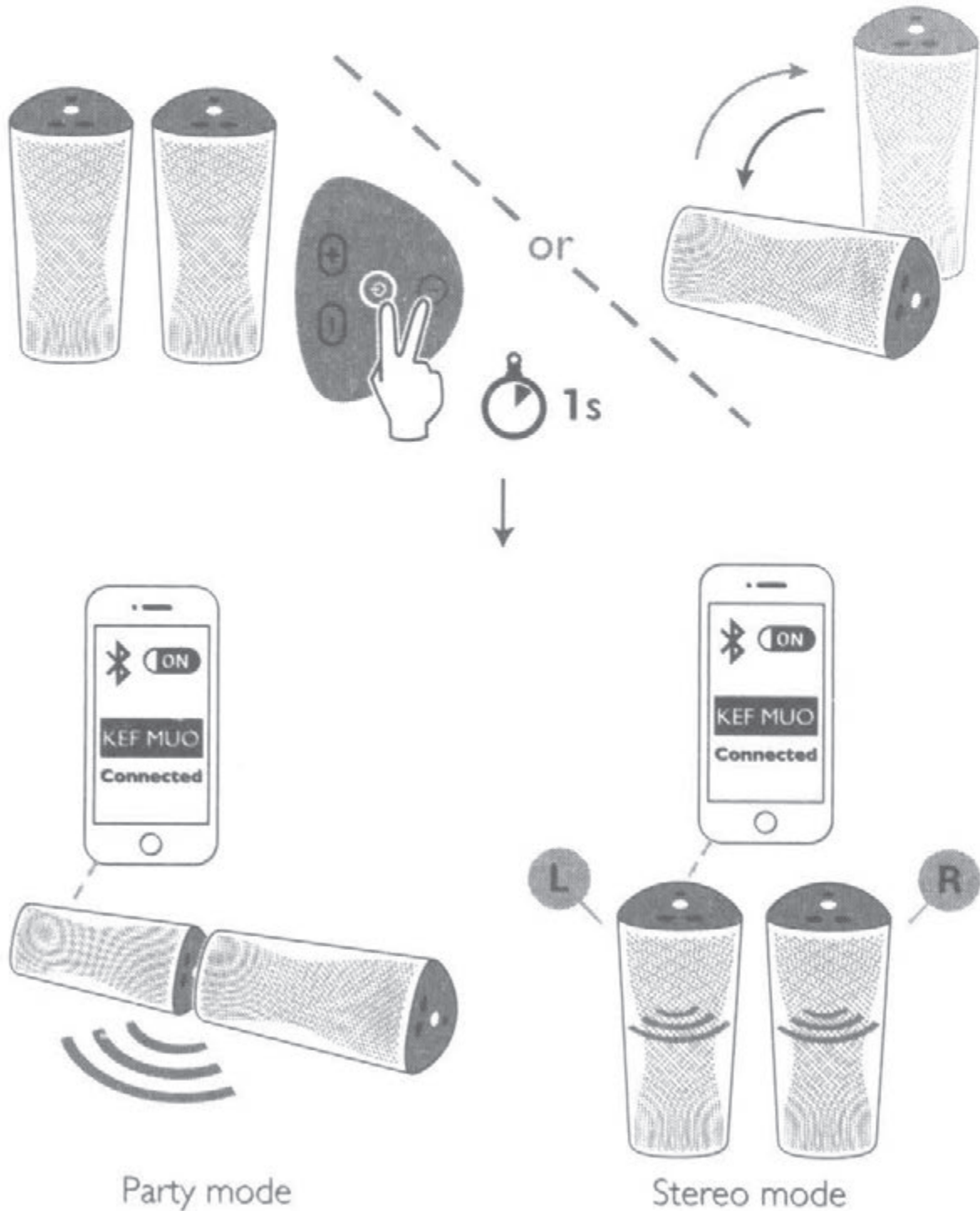
Pair Two Speakers

(DEU) Zwei Lautsprecher verbinden (FRA) Appairer les deux enceintes (SPA) Emparejar dos altavoces (JPN) 2台のスピーカーのペアリング (CHI-T) 配對兩組喇叭 (CHI-S) 配對两只扬声器 (KOR) 스피커와 페어링 하기



Stereo mode ↔ Party mode

(DEU) Stereo Modus ↔ Party Modus (FRA) Mode Stereo ↔ Mode Soirée (SPA) Modo estéreo ↔ Modo Fiesta (JPN) ステレオ・モード ↔ パーティ・モード (CHI-T) 立體聲模式 ↔ 派對模式 (CHI-S) 立体声模式 ↔ 派对模式 (KOR) 스테레오 모드 ↔ 파티 모드

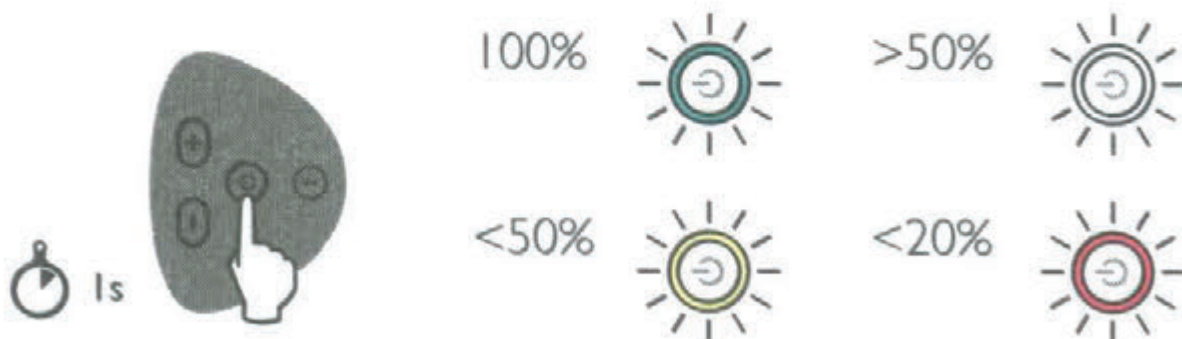


Battery Check

(DEU) Batterietest (FRA) Vérification de la batterie

(SPA) Verificación de la batería (JPN) バッテリーチェック

(CHI-T) 电量显示功能 (CHI-S) 查看电池状态 (KOR) 배터리 잔량 확인



The *Bluetooth*[®] word mark and logos are registered trademarks owned by Bluetooth SIG, Inc. Other trademarks and trade names are those of their respective owners.



The aptX[®] mark and the aptX logo are trade marks of CSR plc or one of its group companies and may be registered in one or more jurisdictions.



App

(DEU) App (FRA) Application (SPA) Aplicación (JPN) App
(CHI-T) 應用程式App (CHI-S) App (KOR) 앱

(ENG) Download the "KEF MUO" app on Google Play Store or Apple App Store.

(DEU) Die "KEF MUO" App finden Sie im Google Play Store oder Apple App Store.

(FRA) Télécharger l'application "KEF MUO" sur Google Play Store ou Apple App Store.

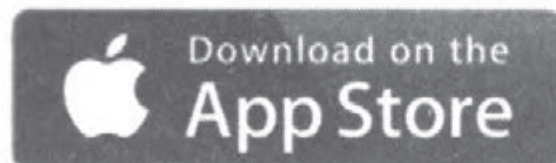
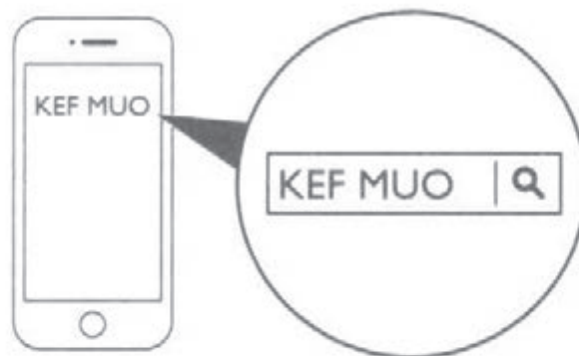
(SPA) Descargar la aplicación de "KEF MUO" en Tienda Google Play o Tienda App de Apple.

(JPN) "KEF MUO"のアプリをGoogle Play StoreやApple App Storeからご使用の機器に合わせてダウンロードしてください。

(CHI-T) 於Google Play Store或Apple App Store下載 "KEF MUO" app

(CHI-S) 在Google Play商店或者Apple应用商店下載 "KEF MUO" 应用

(KOR) "KEF MUO" 앱을 구글 플레이 스토어나 애플 앱 스토어에서 다운로드 하십시오.



Specifications

Model	MUO
Drive units	2 x 50mm (2.0in.) full range Uni-Q driver 1 x Auxiliary Bass Radiator (ABR)
Inputs	Bluetooth 4.0 with aptX® codec 3.5mm AUX Micro USB – charging and firmware update
Bluetooth range	10m
Bluetooth capacity	2 devices
Bluetooth memory	8 devices
Bluetooth frequency	2.402GHz - 2.48GHz
Bluetooth power	1mW for class 2
Amplifier output power	15W
Frequency range	60Hz – 20kHz
Battery type	Li-ion rechargeable battery
Battery charging time	3 hours to fully charge
Battery life	12 hours playback time
Dimension (H x W x D)	80 x 210 x 60 mm (3.1 x 8.3 x 2.3 in.)
Weight	0.8kg (1.8lbs.)
Power in	5V D.C. 2A
App	KEF MUO

For further information and troubleshooting, please visit KEF website: www.kef.com

KEF reserve the right, in line with continuous research and development, to amend or change specifications without prior notice. E. & O.E

www.kef.com

Issue 1: 06.2015
P/N: 3050-5871 +0

KEF SPEAKERS

IMPORTANT SAFETY
INFORMATION &
WARRANTY INFORMATION





Thank you for choosing KEF. KEF is dedicated to producing premium audio products with best-in-class sound quality to give you an engrossing and pleasurable listening experience that is true to the original performance.

Please read the important safety and warranty information below. For any other services, please contact your local authorised KEF distributor, whose details can be found at www.kef.com

IMPORTANT SAFETY INFORMATION

- Follow this manual carefully for the best results from your speakers
- Read and return the warranty card
- Clean with a dry lint free cloth
- Do not use spirit based cleaners
- Avoid damp
- Avoid temperature extremes
- Avoid direct sunlight
- SAFETY NOTICE! Trailing cables are dangerous, secure all cables

WARNING
TO REDUCE THE RISK OF FIRE OR ELECTRICAL SHOCK, DO NOT EXPOSE
THIS APPLIANCE TO RAIN OR MOISTURE

	CAUTION RISK OF ELECTRIC SHOCK DO NOT OPEN	
CAUTION: TO REDUCE THE RISK OF ELECTRIC SHOCK, DO NOT REMOVE COVER (OR BACK). NO USER-SERVICEABLE PARTS INSIDE. REFER SERVICING TO QUALIFIED SERVICE PERSONNEL.		

- A combined mains power input lead and country-specific mains plug is provided.
- Check before connecting to your local mains supply that the local supply voltage is the same as that marked on the rear panel. If it is not, check with your supplier before proceeding.

Explanation of Graphical Symbols



The lightning flash with arrowhead symbol, within an equilateral triangle, is intended to alert the user to the presence of uninsulated "dangerous voltage" within the product's enclosure that may be of a sufficient magnitude to constitute a risk of electrical shock to persons.



The exclamation mark within an equilateral triangle is intended to alert the user to the presence of important operating and maintenance (servicing) instructions in the literature accompanying the appliance.



Correct Disposal of This Product. This marking indicates that this product should not be disposed with other household wastes throughout the EU. To prevent possible harm to the environment or human health from uncontrolled waste disposal, recycle it responsibly to promote the sustainable reuse of material resources.

To return your used device, please use the return and collection systems or contact the retailer where the product was purchased. They can take this product for environmentally safe recycling.

The normal function of the product may be disturbed by Strong Electro Magnetic Interference. If so, simply reset the product to resume normal operation by following the instruction manual. In case the function could not resume, please use the product in other location.

FCC Compliance Information

This device complies with part 15 of the FCC Rules. Operation is subject to the following two conditions: (1) This device may not cause harmful interference, and (2) This device must accept any interference received, including interference that may cause undesired operation.

This equipment has been tested and found to comply with the limits for a Class B digital device, pursuant to Part 15 of the FCC Rules. These limits are designed to provide reasonable protection against harmful interference in a residential installation. This equipment generates, uses and can radiate radio frequency energy and, if not installed and used in accordance with the instructions, may cause harmful interference to radio communications. However, there is no guarantee that interference will not occur in a particular installation. If this equipment does cause harmful interference to radio or television reception, which can be determined by turning the equipment off and on, the user is encouraged to try to correct the interference by one or more of the following measures:

- Reorient or relocate the receiving antenna.
- Increase the separation between the equipment and receiver.

- Connect the equipment into an outlet on a circuit different from that to which the receiver is connected.
- Consult the dealer or an experienced radio/TV technician for help.

Changes or Modifications not expressly approved by the party responsible could void the user's authority to operate this device.



Use only the power supply adaptors listed in the user instructions.

Brand: DYS Model: APP52I-050200U

Input: 100-240Va.c. 50/60Hz 0.45A

Output: 5Vd.c. 2A

CAUTION

RISK OF EXPLOSION IF BATTERY IS REPLACED BY AN INCORRECT TYPE.
DISPOSE OF USED BATTERIES ACCORDING TO THE INSTRUCTIONS

Please take heed of the following before using the KEF Speaker. Note also that the word "appliance" shall refer to the KEF speaker, or any part of it.

1. **Read Instructions** – All the Safety and Operating Instructions should be read before operating the appliance.
2. **Retain Instructions** – The Safety and Operating Instructions should be retained for future reference.
3. **Heed Warnings** – All warnings on the appliance and in the Operating Instructions should be adhered to.
4. **Follow Instructions** – All Operating and Use Instructions should be followed. Only use attachments/accessories specified by the manufacturer.
5. **Important** – Do not defeat the safety purpose of the polarized or grounding type plug. The third prong is provided for your safety. If the provided plug does not fit into your outlet, consult an electrician for replacement of the obsolete outlet. Refer all servicing to a qualified service personnel. Servicing is required for any damaged parts such as power supply cord or plug.
6. **Water and Moisture** – The appliance should not be used in or near water, for example, near a bathtub, washbowl, kitchen sink, or laundry tub, in a wet basement, near a swimming pool, and the like. The appliance shall not be exposed to dripping or splashing. Care should be taken so that objects containing liquids are not placed upon or spilled into the enclosure through openings and that no objects filled with liquids, such as a vase, shall be placed on the appliance.
7. **Ventilation** – The appliance should be situated so that its location or position does not interfere with its proper ventilation. For example, the appliance should

not be situated on a bed, sofa, or similar surface that may block any ventilation openings.

8. **Heat** – The appliance should be situated away from heat sources such as radiators, heat registers, stoves or other appliances (including amplifiers) that produce heat.
9. **Power Sources** – The appliance should be connected to a power supply only of the type described in the Operating Instructions or as marked on the appliance and it shall remain readily operable. The mains plug is used as the disconnect device. To be completely disconnected from the power input, the mains plug of the appliance must be disconnected from the mains completely. The building installation shall be regarded as providing protection in accordance with the rating of wall socket outlet.
10. **Power Cord Protection** – Power supply cords should be routed so that they are not likely to be walked on or pinched by items placed upon or against them. Pay particular attention to cords at plugs, convenience receptacles and the point where they exit from the appliance. The mains plug should not be obstructed or should be easily accessed during intended use.
11. **Attachments and Accessories** – Use only attachments/accessories specified by the manufacturer.
12. **Handling** – The appliance should be transported with the cart, stand, tripod, bracket, or table specified by manufacturer, or sold with the apparatus. When a cart is used, pay caution when moving the cart/ appliance combination to avoid injury from tip-over.
13. **Non-use Periods** – Unplug the appliance during lightning storms or when unused for long periods of time.
14. **Damage Requiring Service** – The appliance should be serviced by qualified service personnel when:
 - a) The power supply cord or the plug has been damaged; or
 - b) Objects have fallen or liquid has been spilled into the appliance; or
 - c) The appliance has been exposed to rain; or
 - d) The appliance does not appear to operate normally or exhibits a marked change in performance; or
 - e) The appliance has been dropped or the enclosure is damaged.
15. **Servicing** – The user shall not attempt to service the appliance beyond that described in the Operating Instructions. All other servicing should be referred to qualified service personnel.

WARRANTY INFORMATION

(A) IMPORTANT

1. Warranty may vary according to the local legal requirements of the country concerned. Contact your local authorised KEF distributor ("Authorised Distributor/s") for details of specific warranty terms and relevant service procedures. For the list of authorised KEF distributors worldwide, please visit www.kef.com
2. This warranty is in addition to, and in no way detracts from, your statutory rights as a consumer under any applicable laws governing this warranty.
3. If any provision of this warranty is unlawful, void or unenforceable under the applicable laws governing this warranty, that provision shall be deemed severable and shall not affect the validity of any of the remaining provisions.

(B) WARNING

4. Purchase KEF products (including passive loudspeakers, active loudspeakers, powered subwoofers, motorised speakers, electronics and headphones ["KEF products"]) only from dealers ("Authorised Dealer/s") and distributors authorised by KEF in their respective jurisdiction to sell genuine KEF products. Do not entrust repair work to unauthorised persons. The components necessary to maintain the original performance of the KEF products are available only through Authorised Distributors. Warranty is provided only to KEF products purchased from an Authorised Dealer and accompanied by proof of purchase. No warranty is provided to any product and/or any components not purchased from an Authorised Dealer/Distributor. Keep and produce receipt or proof of purchase in the event that service of your product is required. Information such as the date of the original purchase, the name and model number of the product, and the details of the Authorised Dealer must be clearly stated on the relevant receipt or proof of purchase.
5. The terms and conditions of this warranty may be revised from time to time by KEF and you agree to be bound by the latest terms. Any updates to this warranty will be posted on the official website for KEF products, www.kef.com.

(C) WARRANTY PERIOD

6. All KEF Products are precision engineered and the Authorised Distributors provide warranty against FAULTY MATERIAL AND/OR WORKMANSHIP for the following products from the date of original purchase is as follows:- (Warranty may vary according to the local legal requirements of the country concerned.)
 - Passive loudspeakers: FIVE years
 - Active loudspeakers, powered subwoofers and motorised speakers: ONE year, or TWO years if purchased in the European Union
 - Electronics and headphones: ONE year, or TWO years if purchased in the European Union

This warranty will not be extended or renewed at the expiry of the above period.

(D) WARRANTY COVERAGE AND LIMITATIONS

7. This warranty is only valid in the country of purchase and only applies to the first purchaser of the KEF product(s) from an Authorised Dealer. This warranty does not extend to any other person or transferee, and terminates if you sell or otherwise transfer the KEF product(s) to another party/entity.
8. This warranty does not cover any of the following:-
 - (a) normal or fair wear and tear and/or any wear from environmental deterioration of the KEF product and/or its components
 - (b) mechanical damage or derangement of the KEF product in transit that is not attributable to the fault of the KEF and its Authorised Distributor
 - (c) deterioration of any consumable components of the KEF product which would become worn or depleted through use (e.g. batteries)
 - (d) any KEF product whose serial number label(s) is/are missing, made illegible, defaced, altered, removed, or damaged
 - (e) any KEF product and/or any of its components that is not purchased from an Authorised Dealer/Distributor, including any parallel imports or grey market products
 - (f) incorrect or unauthorised components which have been substituted and/or used for the KEF Product;
 - (g) any KEF Product and/or any of its components which have been installed, disassembled, repaired, converted, modified, tampered with or otherwise interfered with in any way by any person/entity other than an authorised representative of the KEF and its Authorised Distributors
 - (h) any defects, malfunction, loss and/or damages caused by or resulting from any of the following:-
 - o any of the circumstances set out in (a)-(g) above
 - o any accident or negligence not caused by the fault of KEF and its Authorised Distributors
 - o any improper installation or connection of the KEF product (including without limitation any improper connection of the KEF product to improper voltage or power source) not caused by the fault of any of the KEF and its Authorised Distributors
 - o any improper care, dropping, mishandling, misuse, abuse or unreasonable or improper use, operation or maintenance of the KEF Product
 - o any operation of the KEF product with any faulty, unsuitable or inappropriate apparatus and/or ancillary equipment
 - o any use of the KEF Product under abnormal or inappropriate voltage or power surges;

- o failure to use, operate or maintain the KEF product in accordance with the instructions set out in the users' manual
- o exposure of the KEF product to extreme temperature, heat, water or other liquids, insects, excessive moisture, sand, chemicals, battery leakage or any other contaminants
- o any force majeure events, including but not limited to any acts of God, fire, lightning, typhoon, storm, earthquake, hurricane, natural disaster, tsunami, flood, war, riot, public disturbance
- o any other causes beyond the reasonable control of either KEF and its Authorised Distributor.

(E) LIABILITY

9. Other than the warranty and services set out in this warranty, to the fullest extent permitted by law, KEF and its Authorised Distributors shall not be liable to you and/or any third party or entity whatsoever for:-
 - (a) any loss, damages and/or malfunction caused to any product(s) which is/are connected to any of the KEF products
 - (b) any damages, loss and liability (except for any personal injuries or death), whether direct, indirect, incidental, consequential special, punitive or otherwise, howsoever caused by, arising out of, or otherwise in relation to the installation, delivery, use, service, repair, replacement and/or maintenance of the KEF product; or
 - (c) any damages, loss and liability (except for any personal injuries or death) under this warranty in respect of any act, omission, or negligence of any of their technicians, employees, agents, representatives or independent contractors relating to the actual or purported performance of any of the obligations under this warranty.
10. Without limiting the above, the maximum liability of the KEF and its Authorised Distributors under this warranty shall not in any event or under any circumstances exceed the actual purchase price paid for the KEF product(s).

