



This PDF includes both the English and the French versions of this document.

Ce PDF inclut les versions anglaises et françaises de ce document.

The Bose® Free Space® 51 Speakers

Owner's Guide

For your records

Serial numbers are located on the bottom of each speaker.

Serial number: _____ and _____

Dealer name: _____

Dealer phone: _____ Purchase date: _____

We suggest you keep your sales slip and warranty card together with this owner's guide.

***Declaration
of Conformity***



We, the offerer:
Bose® Corporation, The Mountain
Framingham, MA 01701-9168 USA

acknowledge our sole responsibility, that the product:

Kind of equipment: **Outdoor Speakers**
Type designation: **Free Space® 51**

in accordance with EMC Directive 89/336/EEC and Article 10(1) of the Directive, is in compliance with the following norm(s) or document(s):

Technical regulations: **EN50081-1, EN50082-1**

Accredited by Bose Corporation

15 November 2002

Bose B.V., Nijverheidstraat 8
1135 GE Edam, The Netherlands

NiclMerks
Vice President Europe
Manufacturer's authorized EU
Representative

Where to find...


Setting Up	4
Before you begin	4
Unpacking the carton	4
Required tools	4
Optional tools	4
Decide if you need a professional installer	4
Selecting the location for your speakers	5
Choosing the speaker cord (not provided)	5
Making the connections	6
Preparing the speaker cord	6
Connecting the speaker cord to the speakers	6
Connecting the speaker cord to the receiver/amplifier	6
Checking the connections	7
Testing the connections	7
Reference	8
Troubleshooting	8
Customer service	8
Warranty period	8
Cleaning your speakers	8
Protecting the speaker cord	9
Technical Information	9

Before you begin

Thank you for purchasing your Bose® Free Space® 51 speakers. These high-performance outdoor speakers are engineered to provide sound quality far beyond that of most outdoor speakers. The speakers are also designed for permanent outdoor installation, and therefore can withstand nature's elements – so you can be confident they will perform for years to come (see “Environmental capabilities”, page 9).

Unpacking the carton

Carefully unpack your Free Space 51 speakers and save all packing materials for possible future use. Check that your system contains all parts identified in Figure 1. Do not attempt to use your speakers if any components are missing or appear damaged. Instead, notify Bose Corporation or your authorized Bose dealer immediately.

 **Note:** Now is a good time to record the serial numbers located on the bottom of each Free Space 51 speaker. Write both numbers on your warranty card and in the space provided on page 2 of this owner's guide.


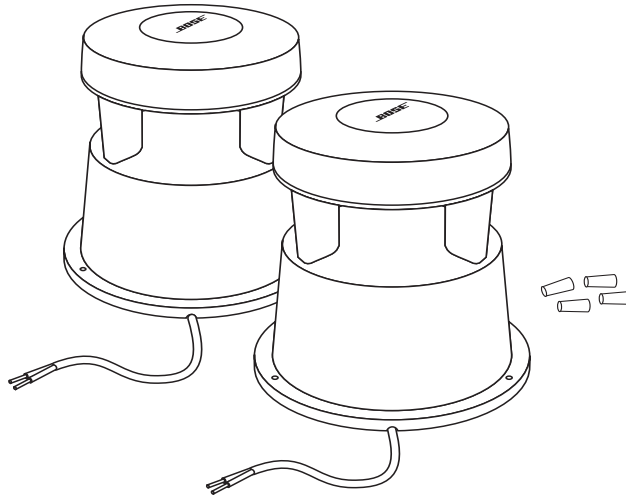
 **WARNING:** To avoid danger of suffocation, keep plastic bags out of the reach of children.

Figure 1

Package contents:

- 2 Free Space 51 speakers
- 4 wire nuts



Required tools

You need the following items to complete this installation:


- Speaker cord (see “Choosing the speaker cord” on page 5)
- wire strippers

Optional tools

- Shovel or spade
- Phillips-head screwdriver (#2)

Decide if you need a professional installer

If you have any doubts about using these tools, or handling or cutting cord, now is a good time to contact a professional installer. For customers who will install the speakers themselves, please follow the instructions provided in this owner's guide.

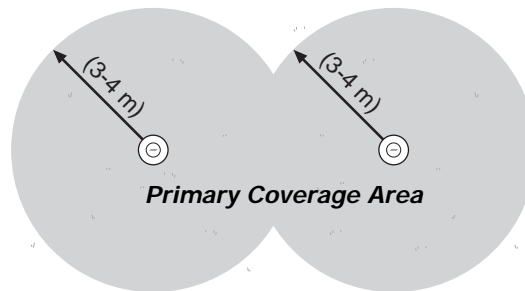
 **CAUTION:** Please read this owner's guide completely before beginning the installation. Failure to follow the instructions in this guide voids all warranties on your speakers. If you are unsure of your ability to complete this process, consult a professional installer.

Selecting the location for your speakers

Prior to installation, carefully select locations for your Free Space® 51 speakers. The speakers can be installed on almost any surface such as wood, concrete, or the ground. When choosing a location, please keep the following guidelines in mind:

Figure 2

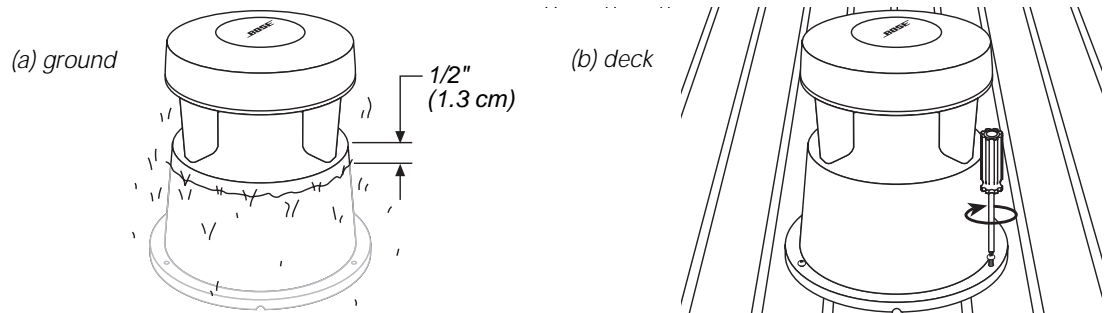
Speaker placement for optimal coverage



- Select a level surface for your speakers. This will prevent movement or vibration during use.
- Place your speakers where the speaker cord cannot be tripped over, pinched, or pulled.
- Do not place your speakers in an area where water tends to collect.
- Do not bury your Free Space 51 speakers deeper than 7 1/4 inches (18.4 cm) (Figure 3a).
- Use wood screws to fasten the speaker to a wood surface, such as a deck, if desired (Figure 3b).

Figure 3

Free Space 51 installation



Choosing the speaker cord (not provided)

WARNING: Before running speaker cord through a wall or under ground, check your local building code requirements, or contact an electrical installer.

- Use the proper gauge (thickness) of speaker cord. See "Cord recommendations" under "Technical Information" on page 9 for proper gauge, or check with your authorized Bose® dealer.
- If your installation requires the cord to be buried in the ground, use direct-burial rated cable or run the cord through a PVC piping channel. Always use moisture-resistant speaker cord.
- Place speakers and run cord before digging holes or burying cord.
- If you think your speaker cord may be exposed to salt water or water containing chemicals such as chlorine or fertilizers, you may use a silicone caulking material as added protection for the speaker connections.

Making the connections

WARNING: Before making any connections, turn off your receiver or amplifier and unplug it from the AC power (mains) outlet.

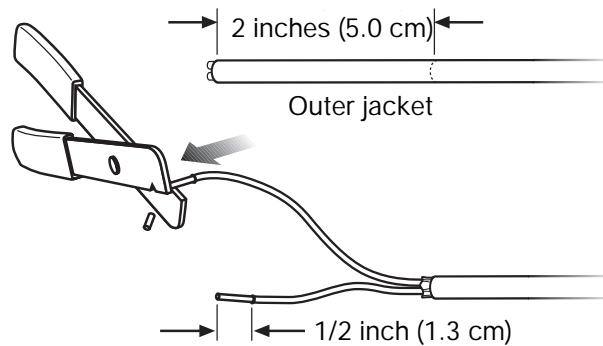
Preparing the speaker cord

Speaker cord consists of two insulated wires. Usually one is ribbed or red (+), and the other plain or black (-). Direct-burial cable has a protective outer jacket around the wires. Consider the following guidelines before cutting any cords:

- Measure the length of cord needed to connect each speaker to your receiver/amplifier
- Strip the outer jacket back 2". Strip the inner insulation on both wires back 1/2" (1.3 cm) (Figure 4).

Figure 4

Stripping the wires

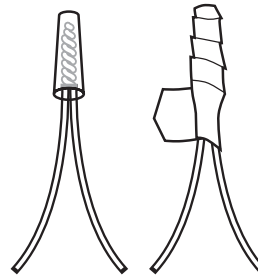


Connecting the speaker cord to the speakers

1. Connect the positive (ribbed or red) speaker wire to the positive (red) wire from the speaker cable. Twist the stripped wires together.
2. Secure the wire nuts with a twisting motion. If you prefer to reinforce the wire nuts, use electrical tape (Figure 5).

Figure 5

Reinforcing the wire nuts



3. Connect the negative (plain or black) wire to the negative (black) wire from the speaker cable, as in steps 1 and 2 above.

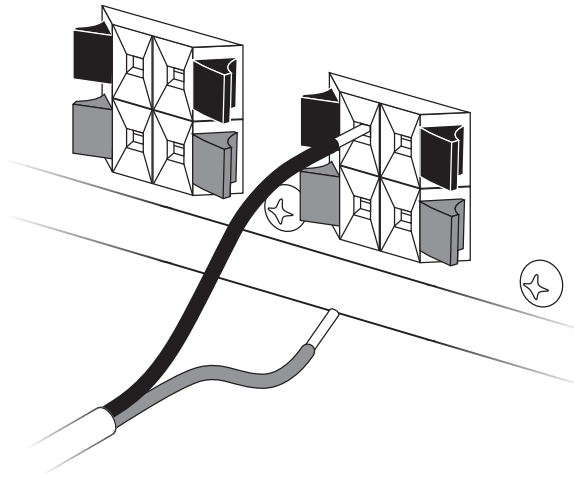
Connecting the speaker cord to the receiver/amplifier

1. Connect the speakers on the left side of the listening area to the left channel of your receiver/amplifier (Figure 6).
 - a. Attach the positive (ribbed) wire to the red (+) terminal.
 - b. Attach the negative (plain) wire to the black (-) terminal.
2. Connect the speaker on the right side of the listening area to the right channel of your receiver or amplifier, as above.

Note: If your Free Space® 51 speakers are being connected to your receiver/amplifier as a secondary set of speakers, be sure to make the appropriate connections to the "B" channel.

Figure 6

Connecting cord to receiver



Checking the connections

Check the speaker connections carefully. Make sure no loose strands of wire touch across terminals. This could create short circuits and damage an amplifier or receiver.

Tighten any loose connections before you plug in the receiver/amplifier.

Testing the connections

To make sure your speakers operate correctly, follow these steps:

1. Center the balance control on your receiver/amplifier.
2. Set the stereo/mono control to MONO.
3. Play some passages of music containing deep bass through the speakers.

The sound should seem to come from a point between the two speakers. The bass should be full and natural. If not, the connections may be reversed, causing the speakers to play out of phase. To correct the problem, make sure all the cords are connected positive to positive (+ to +) and negative to negative (- to -).

Troubleshooting

Problem	What to do
No sound	<ul style="list-style-type: none"> • Make sure the receiver is plugged in and turned on. • Check to be sure the AC power (mains) outlet is working. • Disconnect any headphones plugged into the headphone jack. • Make sure the receiver is not set to MUTE. • Refer to the owner's guide that came with your receiver. • Check connections to both the speakers and the receiver. Refer to "Making the connections" on page 6. Correct any connection errors. • If your Free Space® 51 speakers are connected as a second set of speakers to your receiver/amplifier, check that the connections have been made to the "B" terminals, and that the "B" speakers are selected to play.
No sound from one speaker	<ul style="list-style-type: none"> • Check that the balance control on your receiver/amplifier is centered. • Check the cord connecting the receiver/amplifier to the silent speaker. • Disconnect the working speaker from the receiver. Switch the cord of the silent speaker from its original receiver terminals to the other set of terminals (that the working speaker was originally attached to). If the speaker now works, the problem is in your receiver. If the speaker does not work, continue below: Remove the cord from the working speaker and connect it to the silent speaker and either set of receiver terminals. If the speaker now works, the problem is in the original speaker cord. If the speaker does not work, the problem is in the speaker.
One speaker sounds distorted	<ul style="list-style-type: none"> • Follow the same procedure for the problem of "No sound from one speaker," as outlined above.
Not enough bass or treble	<ul style="list-style-type: none"> • Check the tonal balance setting on your receiver/amplifier. • Adjust the bass and treble controls on the receiver. • Check the connections to make sure they are correctly in phase (+ to + and - to -). Refer to "Make the connections" on page 6.

Customer service

For additional help in solving problems, contact Bose® Customer Service. See the list of service centers and phone numbers enclosed in the shipping carton. Bose Corporation will make every effort to correct problems within the terms of your warranty.

Warranty period

Free Space 51 speakers are covered by a limited five-year transferable warranty. Details of coverage are on the warranty card that came with your speakers. Please fill out the information section, detach, and mail it to Bose.

Cleaning your speakers

Use a cloth dampened in mild detergent and water to remove dust or dirt from the outside of your Free Space 51 speakers. Or use a hose to rinse them thoroughly with fresh water. Do not use enough pressure to force water into the drivers or the acoustic ports.

Protecting the speaker cord

The bare ends of the speaker cord can be affected by exposure to the elements. This is especially true of salt water or water containing chemicals such as chlorine or fertilizer. You may use a silicone caulking material, such as RTV adhesive, to protect the connections. It is commonly available at hardware stores. If you do use caulking, apply it only after the cords are connected. Check the connections annually, and reapply as needed.

Technical Information

Protective features

- Environmentally resistant hardware

Driver complement

- One 4.5" (11.4 cm) environmental driver per speaker

Color

- Green

Dimensions

- 14½" (36.8 cm) diameter, 15" (38.1 cm) height

Weight

- 12 lb (5.4 kg) each

Compatibility

- Compatible with amplifiers or receivers rated 4 to 8 ohms
- 50W IEC continuous power-handling compatible with receivers and amplifiers rated 10-100W

Environmental capabilities

Designed to withstand:

- Salt fog, sun, high humidity (rain and snow)
- Temperature extremes (-40°F to 158°F; -40°C to 70°C)
- Permanent outdoor installation

Cord recommendations

Based on maximum frequency response deviation of ± 0.5 dB

Gauge	Length
18 (0.82 mm ²)	20 ft (6 m) maximum
16 (1.3 mm ²)	30 ft (9 m) maximum
14 (2.1 mm ²)	50 ft (15 m) maximum
12 (3.3 mm ²)	80 ft (24 m) maximum

Use direct-burial cable for outdoor installations.



BOSE[®]
Better sound through research[®]

©2004 Bose Corporation
The Mountain, Framingham, MA 01701-9168 USA
268612-ENGvo AM Rev.00

The Bose® Free Space® 51 Speakers

Notice d'utilisation

For your records

Serial numbers are located on the bottom of each speaker.

Serial number: _____ and _____

Dealer name: _____

Dealer phone: _____ Purchase date: _____

We suggest you keep your sales slip and warranty card together with this owner's guide.

***Declaration
of Conformity***



We, the offerer:
Bose® Corporation, The Mountain
Framingham, MA 01701-9168 USA

acknowledge our sole responsibility, that the product:

Kind of equipment: **Outdoor Speakers**
Type designation: **Free Space® 51**

in accordance with EMC Directive 89/336/EEC and Article 10(1) of the Directive, is in compliance with the following norm(s) or document(s):

Technical regulations: **EN50081-1, EN50082-1**

Accredited by Bose Corporation

15 November 2002

Bose B.V., Nijverheidstraat 8
1135 GE Edam, The Netherlands

NiclMerks
Vice President Europe
Manufacturer's authorized EU
Representative

Pour trouver...


Installation	4
Avant de commencer	4
Déballage du carton	4
Outils à utiliser	4
Outils optionnels	4
Faire appel à un installateur professionnel	4
Détermination de l'emplacement des enceintes	5
Sélection d'un câble d'enceinte (non fourni)	5
Branchements	6
Préparation du câble d'enceinte	6
Raccordement du câble sur les enceintes	6
Raccordement du câble d'enceinte sur l'amplificateur/ampli-tuner	6
Vérification des branchements	7
Test des branchements	7
Références	8
Dépannage	8
Service clients	8
Durée de la garantie	8
Entretien des enceintes	8
Protection du câble d'enceinte	9
Informations techniques	9

Avant de commencer

Nous vous remercions d'avoir acheté les enceintes Bose® Free Space® 51. Ces enceintes d'extérieur hautes performances sont conçues pour fournir une qualité de son nettement supérieure à celle de la plupart des enceintes d'extérieur. Elles sont également prévues pour une installation extérieure permanente et résistent donc aux différentes conditions climatiques. Vous pouvez ainsi être certain de leur bon fonctionnement pour les années à venir (reportez-vous à la section « Résistance aux conditions climatiques », page 9).

Déballage du carton

Déballiez soigneusement les enceintes Free Space 51 et conservez l'emballage pour une éventuelle utilisation ultérieure. Vérifiez que votre système comporte bien toutes les pièces répertoriées sur la figure 1. N'essayez pas d'utiliser les enceintes si certains composants sont manquants ou semblent endommagés. Dans ce cas, avertissez immédiatement Bose ou votre revendeur Bose agréé.

 **Remarque :** Notez dès à présent les numéros de série indiqués sous chaque enceinte Free Space 51. Inscrivez les deux numéros sur votre carte de garantie, ainsi qu'à l'emplacement prévu à cet effet à la page 2 de cette notice d'utilisation.


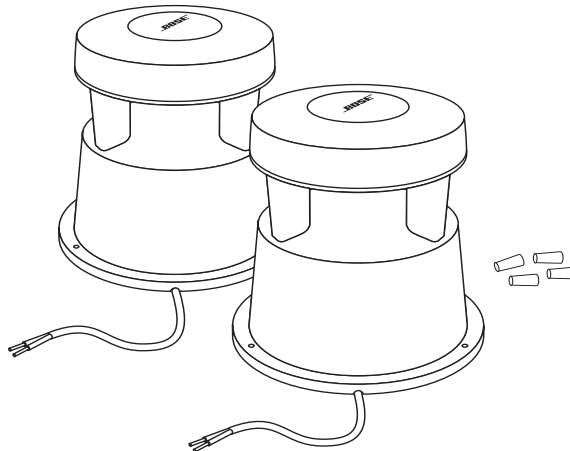
 **ATTENTION :** Afin d'éviter tout risque d'étouffement, gardez les sacs plastique hors de portée des enfants.

Figure 1

Contenu de l'emballage :

- 2 enceintes Free Space 51
- 4 éléments de câblage



Outils à utiliser

Vous avez besoin des éléments ci-dessous pour effectuer l'installation des enceintes :


- Câble d'enceinte (reportez-vous à la section « Sélection d'un câble d'enceinte », page 5)
- Pince à dénuder

Outils optionnels

- Pelle ou bêche
- Tournevis cruciforme Phillips (n° 2)

Faire appel à un installateur professionnel

Si vous avez des doutes sur l'utilisation de ces outils ou sur la façon de manipuler ou de couper le câble, c'est le moment de faire appel à un installateur professionnel. Si vous installez vous-même les enceintes, veuillez suivre les instructions figurant dans cette notice d'utilisation.

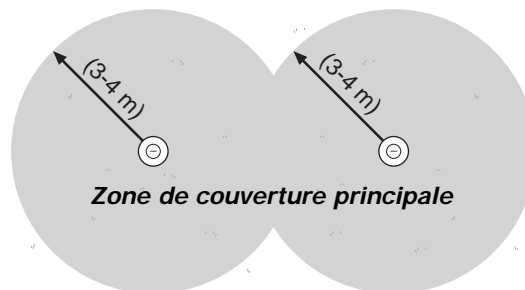
 **ATTENTION :** Veillez à lire l'intégralité de cette notice avant de commencer l'installation. En cas de non-respect des instructions, toutes les garanties relatives aux enceintes seront annulées. Si vous n'êtes pas certain de pouvoir procéder à l'ensemble de l'installation, contactez un installateur professionnel.

Détermination de l'emplacement des enceintes

Avant de commencer l'installation, choisissez avec soin l'emplacement des enceintes Free Space® 51. Celles-ci peuvent être installées sur pratiquement toutes les surfaces, telles que le bois, le béton ou la terre. Pour choisir un emplacement, tenez compte des recommandations suivantes :

Figure 2

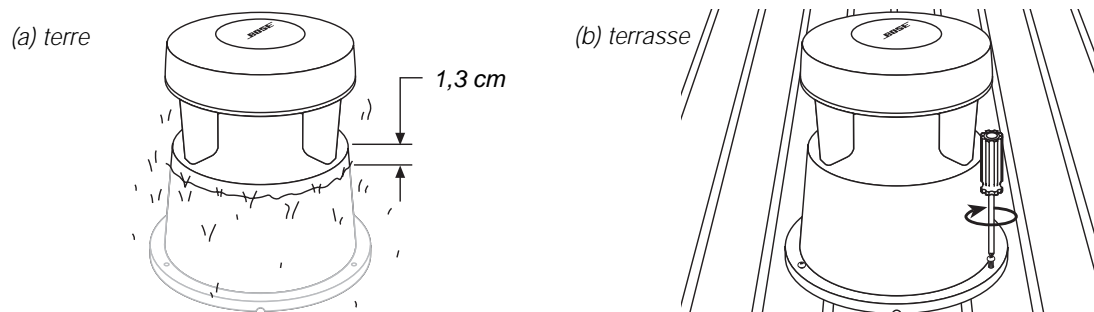
Positionnement des enceintes pour une couverture optimale



- Placez les enceintes sur une surface plane. Ceci permet d'éviter les déplacements ou les vibrations lors de leur utilisation.
- Positionnez les enceintes de façon à ce que leur câble ne puisse pas être tordu ou tiré et que personne ne se prenne les pieds dedans.
- Ne placez pas les enceintes dans une zone où l'eau est susceptible de s'accumuler.
- N'enterrez pas les enceintes Free Space 51 à une profondeur supérieure à 18,4 cm (Figure 3a).
- Utilisez des vis à bois pour fixer les enceintes sur une surface en bois, par exemple une terrasse (Figure 3b).

Figure 3

Installation des enceintes Free Space 51



Sélection d'un câble d'enceinte (non fourni)

ATTENTION : Avant de faire passer le câble d'enceinte dans un mur ou sous la terre, vérifiez les normes et règlements de construction applicables ou contactez un électricien.

- Utilisez un câble d'enceinte de section (diamètre) adéquate. Reportez-vous au paragraphe « Recommandations relatives au câble » dans les « Informations techniques », page 9, pour connaître la section adéquate ou vérifiez auprès de votre revendeur Bose® agréé.
- Si vous souhaitez enterrer le câble, utilisez un câble conçu pour une pose en pleine terre ou faites-le passer dans un tube en PVC. Utilisez toujours un câble d'enceinte résistant à l'humidité.
- Placez les enceintes et installez le câble avant de creuser les trous ou d'enterrer le câble.
- Si vous pensez que les enceintes risquent d'être exposées à de l'eau salée ou contenant des produits chimiques, tels que du chlore ou des engrais, vous pouvez en renforcer la protection des connexions d'enceintes à l'aide d'un calfeutrage en silicone.

Branchements

ATTENTION : Avant d'entreprendre tout branchement, éteignez votre amplificateur ou votre ampli-tuner et débranchez-le de la prise électrique secteur.

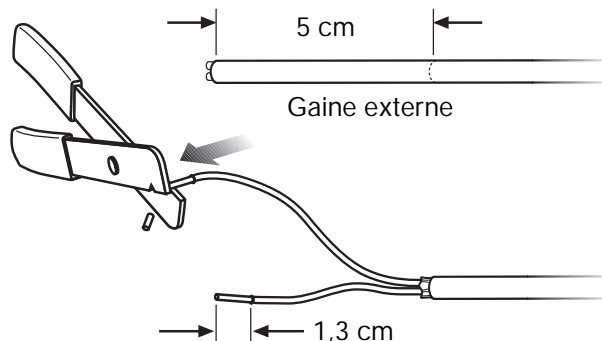
Préparation du câble d'enceinte

Le câble d'enceinte se compose de 2 fils isolés. Généralement, le premier est strié ou rouge (+) et l'autre uni ou noir (-). Les fils des câbles conçus pour une pose en pleine terre possèdent une gaine externe de protection. Avant de couper un fil, tenez compte des recommandations suivantes :

- Mesurez la longueur de câble requise pour brancher les enceintes à l'amplificateur/ ampli-tuner.
- Dénudez la gaine externe sur 5 cm. Dénudez l'isolant interne des deux fils sur 1,3 cm (Figure 4).

Figure 4

Dénudage des fils

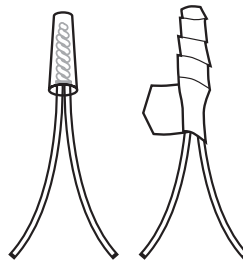


Raccordement du câble sur les enceintes

1. Connectez le fil d'enceinte positif (strié ou rouge) au fil du câble d'enceinte positif (rouge). Torsadez les fils dénudés ensemble.
2. Mettez en place l'élément de câblage en exerçant un mouvement de torsion. Si vous voulez renforcer les éléments de câblage, utilisez du ruban isolant électrique (Figure 5).

Figure 5

Renforcement des éléments de câblage



3. Connectez le fil d'enceinte négatif (uni ou noir) au fil du câble d'enceinte négatif (noir). Procédez comme indiqué dans les étapes 1 et 2 ci-dessus.

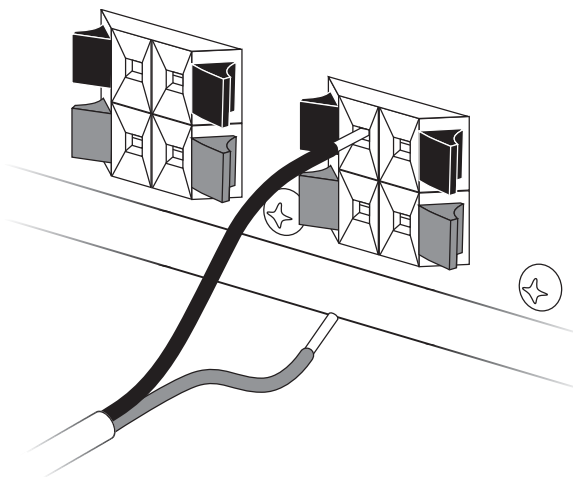
Raccordement du câble d'enceinte sur l'amplificateur/ampli-tuner

1. Connectez l'enceinte du côté gauche de la zone d'écoute sur le canal de gauche de l'amplificateur/ampli-tuner (Figure 6).
 - a. Connectez le fil positif (strié) à la borne rouge (+).
 - b. Connectez le fil négatif (uni) à la borne noire (-).
2. Connectez l'enceinte du côté droit de la zone d'écoute sur le canal de droite de l'amplificateur/ampli-tuner, comme indiqué ci-dessus.

Remarque : Si les enceintes Free Space® 51 constituent le deuxième jeu d'enceintes connecté à l'amplificateur/ampli-tuner, veillez à faire les raccordements nécessaires sur le canal « B ».

Figure 6

Branchement du câble à l'ampli-tuner



Vérification des branchements

Contrôlez soigneusement les branchements des enceintes. Veillez à ce qu'il n'y ait pas de brins de fil susceptibles de se toucher d'une borne à l'autre. Cela risquerait de provoquer des courts-circuits et d'endommager l'amplificateur ou l'ampli-tuner.

Resserrez toute connexion desserrée avant d'effectuer le branchement sur l'amplificateur/ampli-tuner.

Test des branchements

Pour être certain du bon fonctionnement des enceintes, procédez de la manière suivante :

1. Réglez la commande de balance au centre sur l'amplificateur/ampli-tuner.
2. Placez la commande stéréo/mono sur MONO (mono).
3. Diffusez quelques extraits de musique comportant des basses profondes sur les enceintes.

Le son doit sembler provenir d'un point situé entre les deux enceintes. Les graves doivent être amples et naturels. Dans le cas contraire, les branchements ont pu être inversés. Les enceintes fonctionnent alors hors phase. Pour corriger ce problème, assurez-vous que tous les câbles sont connectés de façon appropriée, les fils positifs entre eux (+ au +) et les fils négatifs entre eux (- au -).

Dépannage

Problème	Action à entreprendre
Absence de son	<ul style="list-style-type: none"> Assurez-vous que l'ampli-tuner est branché et sous tension. Vérifiez que la prise électrique secteur fonctionne. Débranchez le casque éventuellement raccordé à la prise de casque. Assurez-vous que l'ampli-tuner n'est pas en position MUTE (silence). Reportez-vous à la notice d'utilisation de l'ampli-tuner. Vérifiez les branchements au niveau des enceintes et au niveau de l'ampli-tuner. Reportez-vous à la section " Branchements ", page 6. Corrigez les éventuels problèmes. Si les enceintes Free Space® 51 constituent le deuxième jeu d'enceintes connecté à l'ampli-tuner/amplificateur, vérifiez que les branchements ont bien été effectués sur les bornes « B » et que les enceintes « B » sont sélectionnées.
Aucun son ne sort de l'une des enceintes	<ul style="list-style-type: none"> Vérifiez que la commande de balance de l'ampli-tuner/amplificateur est réglée au centre. Contrôlez le câble reliant l'ampli-tuner/amplificateur à l'enceinte n'émettant pas de son. Déconnectez l'enceinte qui fonctionne de l'ampli-tuner. Débranchez le câble de l'enceinte n'émettant pas de son des bornes de l'ampli-tuner et branchez-le sur l'autre jeu de bornes (celui sur lequel l'enceinte qui fonctionne était branchée). Si l'enceinte fonctionne, le problème vient de l'ampli-tuner. Si elle ne fonctionne toujours pas, continuez la procédure de dépannage. Retirez le câble de l'enceinte qui fonctionne (au niveau de l'enceinte) et branchez-le dans l'enceinte n'émettant pas de son, l'autre extrémité du câble étant reliée dans l'un des deux jeux de bornes de l'ampli-tuner. Si l'enceinte fonctionne, le problème réside dans le câble d'enceinte original. Si l'enceinte ne fonctionne toujours pas, le problème provient de l'enceinte.
Mauvaise qualité du son d'une enceinte	<ul style="list-style-type: none"> Suivez la procédure indiquée pour le problème « Aucun son ne sort de l'une des enceintes » ci-dessus.
Graves ou aigus faibles	<ul style="list-style-type: none"> Vérifiez le réglage des graves/aigus sur l'amplificateur/ampli-tuner. Réglez les commandes des graves et des aigus sur l'ampli-tuner. Vérifiez les branchements afin de vous assurer qu'ils sont bien en phase (+ au + et - au -). Reportez-vous à la section « Branchements », page 6.

Service clients

Pour obtenir de l'aide afin de résoudre vos éventuels problèmes, contactez le service clients de Bose®. Reportez-vous à la liste des centres techniques (numéros de téléphone fournis) incluse dans le carton d'emballage. Bose Corporation mettra tout en œuvre pour résoudre vos problèmes dans le respect de la garantie applicable.

Durée de la garantie

Les enceintes Free Space 51 sont couvertes par une garantie limitée transférable de cinq ans. Les conditions détaillées de cette garantie figurent sur la carte de garantie accompagnant les enceintes. Veuillez remplir la section « Informations » de la carte, puis la renvoyer par courrier à Bose.

Entretien des enceintes

Utilisez un chiffon humidifié avec un peu de détergent doux et d'eau pour retirer la poussière ou la saleté présente sur les parties extérieures des enceintes Free Space 51. Vous pouvez également utiliser un tuyau d'arrosage pour les nettoyer à fond avec de l'eau douce. Veillez à utiliser une pression limitée afin de ne pas faire entrer de l'eau dans les haut-parleurs ou les événements acoustiques.

Protection du câble d'enceinte

Les extrémités dénudées du câble d'enceinte sont sensibles aux conditions extérieures. Ceci est particulièrement vrai en ce qui concerne l'eau salée ou contenant des produits chimiques, tels que du chlore ou des engrais. Vous pouvez utiliser un calfeutrage en silicone, tel qu'un adhésif résistant aux variations de température (RTV), pour protéger les branchements. Vous trouverez ces adhésifs dans les quincailleries. Si vous procédez à un calfeutrage, effectuez-le uniquement une fois les câbles branchés. Contrôlez les branchements tous les ans et renouvelez le calfeutrage si nécessaire.

Informations techniques

Caractéristiques liées à la protection

- Matériau résistant aux conditions climatiques

Haut-parleurs

- Un haut-parleur résistant aux conditions climatiques de 11,4 cm par enceinte

Couleur

- Vert

Dimensions

- 36,8 cm de diamètre, 38,1 cm de hauteur

Poids

- 5,4 kg par enceinte

Compatibilité

- Compatibles avec les amplificateurs et ampli-tuners supportant une charge de 4 à 8 Ohms
- Puissance admissible 50 W IEC en continu, compatible avec des ampli-tuners et amplificateurs d'une puissance de 10-100 W

Résistance aux conditions climatiques

Conçu pour résister :

- au sel, au brouillard, au soleil et à une humidité élevée (pluie ou neige)
- à des températures extrêmes (-40°C à 70°C)
- à une installation extérieure permanente

Recommandations relatives au câble

Basées sur une variation maximale de la réponse en fréquence de $\pm 0,5$ dB

Section	Longueur
0,82 mm ²	6 m maximum
1,3 mm ²	9 m maximum
2,1 mm ²	15 m maximum
3,3 mm ²	24 m maximum

Pour les installations en extérieur, utilisez un câble conçu pour une pose en pleine terre.



BOSE[®]
Better sound through research[®]

©2004 Bose Corporation
The Mountain, Framingham, MA 01701-9168 USA
268612-FRAvo AM Rev.00