

OWNER'S MANUAL

**IPS LED
MONITOR**
(LED Monitor*)

* LG LED Monitor applies LCD screen with LED backlights.

Please read this manual carefully before operating your set and retain it for future reference.

34UC98

34UC88

TABLE OF CONTENTS

LICENSE ----- 3

ASSEMBLING AND PREPARING ----- 4

- Product Composition ----- 4
- Supported Drivers and Software ----- 5
- Product and Button Description ----- 6
 - How to Use the Joystick Button
 - Input Connector
- Moving and Lifting the Monitor ----- 8
- Installing the Monitor ----- 9
 - Assembling the Stand (34UC98)
 - Assembling the Stand (34UC88)
 - Installing on a Table
 - Adjusting the Stand Height
 - Adjusting the Angle
 - Tidying up Cables
 - Using the Kensington Lock
 - Detaching the Stand Body
 - Installing the Wall Mount Plate
 - Installing on the Wall

USING THE MONITOR ----- 18

- Connecting to a PC ----- 18
 - HDMI Connection
 - DisplayPort Connection
 - Thunderbolt Connection
- Connecting AV Devices ----- 20
 - HDMI Connection
- Connecting Peripherals ----- 20
 - USB Cable connection - PC
 - Connecting Headphones

USER SETTINGS ----- 22

- Activating the Main Menu ----- 22
 - Main Menu Features
- User Settings ----- 23
 - Menu Settings
 - Quick Settings
 - PBP
 - Picture
 - Sound
 - General
 - Reset

TROUBLESHOOTING ----- 33

PRODUCT SPECIFICATION ----- 35

- Factory Support Mode ----- 37
- HDMI Timing (Video) ----- 37
- Power LED ----- 37

LICENSE

Each model has different licenses. Visit www.lg.com for more information on the license.



The terms HDMI and HDMI High-Definition Multimedia Interface, and the HDMI logo are trademarks or registered trademarks of HDMI Licensing LLC in the United States and other countries.



VESA, VESA logo, DisplayPort compliance logo and DisplayPort compliance logo for dual-mode source devices are all registered trademarks of the Video Electronics Standards Association.



MaxxAudio and additional MAXX trademarks are trademarks and/or registered trademarks of Waves Audio Ltd.

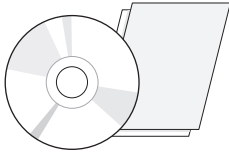


The SuperSpeed USB Trident logo is a registered trademark of USB Implementers Forum, Inc.

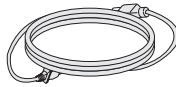
ASSEMBLING AND PREPARING

Product Composition

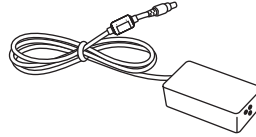
Please check whether all the components are included in the box before using the product. If there are any missing components, contact the retailer where you purchased the product. Note that the product and related components may look different from those shown here.



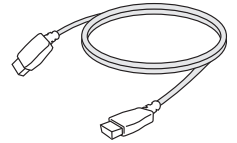
CD (Owner's Manual / Software / Guides) / Cards



Power cord



AC/DC Adapter



HDMI cable



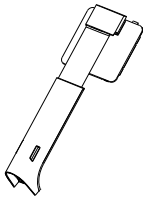
DisplayPort Cable



Stand Base

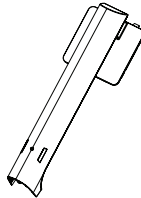


Cable Holder



34UC98

Stand Body



34UC88

Stand Body

CAUTION

- Always use genuine LG components to ensure safety and product performance.
- The product warranty will not cover damage or injury caused by the use of unauthorized components.
- It is recommend that use the supplied components.
- If you use generic cables not certified by LG, the screen may not display or there may be image noises.

NOTE

- The components may look different from those illustrated here.
- Without prior notice, all product information and specifications contained in this manual are subject to change to improve the performance of the product.
- To purchase optional accessories, visit an electronics store or an online shopping site, or contact the retailer from which you purchased the product.
- The power cord provided may differ depending upon the region.

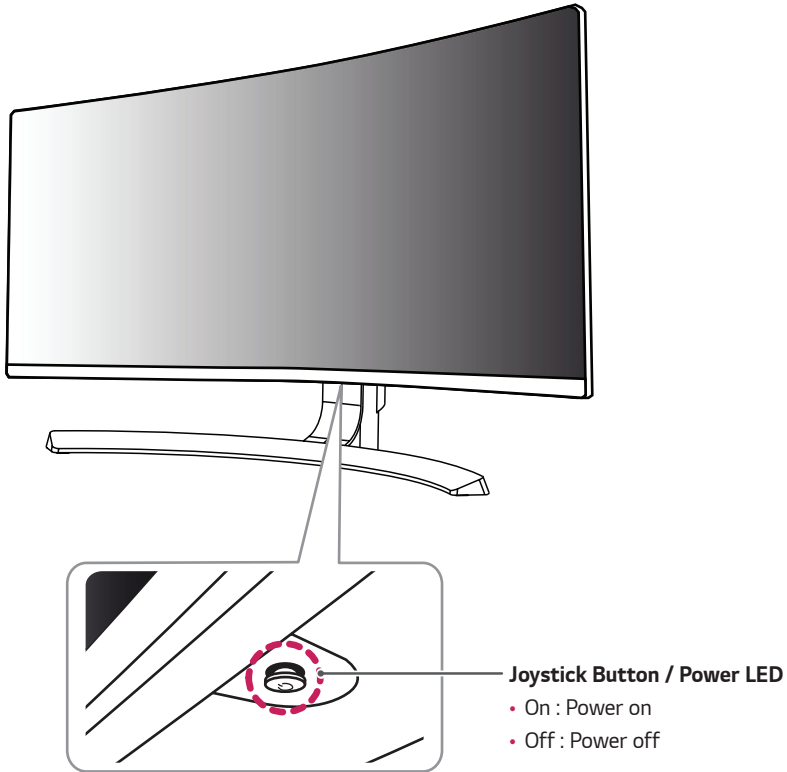
Supported Drivers and Software

Check the drivers and software supported by your product and refer to the manuals on the CD enclosed in the product package.

| Drivers and Software | Installation Priority | 34UC98 | 34UC88 |
|----------------------|-----------------------|--------|--------|
| Monitor Driver | Recommended | O | O |
| ASM Driver | Required | O | X |
| OnScreen Control | Recommended | O | O |
| Dual Controller | Optional | O | O |
| True Color Pro | Optional | X | X |

- Required and Recommended: You can download and install the latest version from the enclosed CD or from the LGE website (www.lg.com).
- Optional: You can download and install the latest version from the LGE website (www.lg.com).

Product and Button Description



How to Use the Joystick Button

You can easily control the functions of the monitor by pressing the joystick button or moving it left/right with your finger.

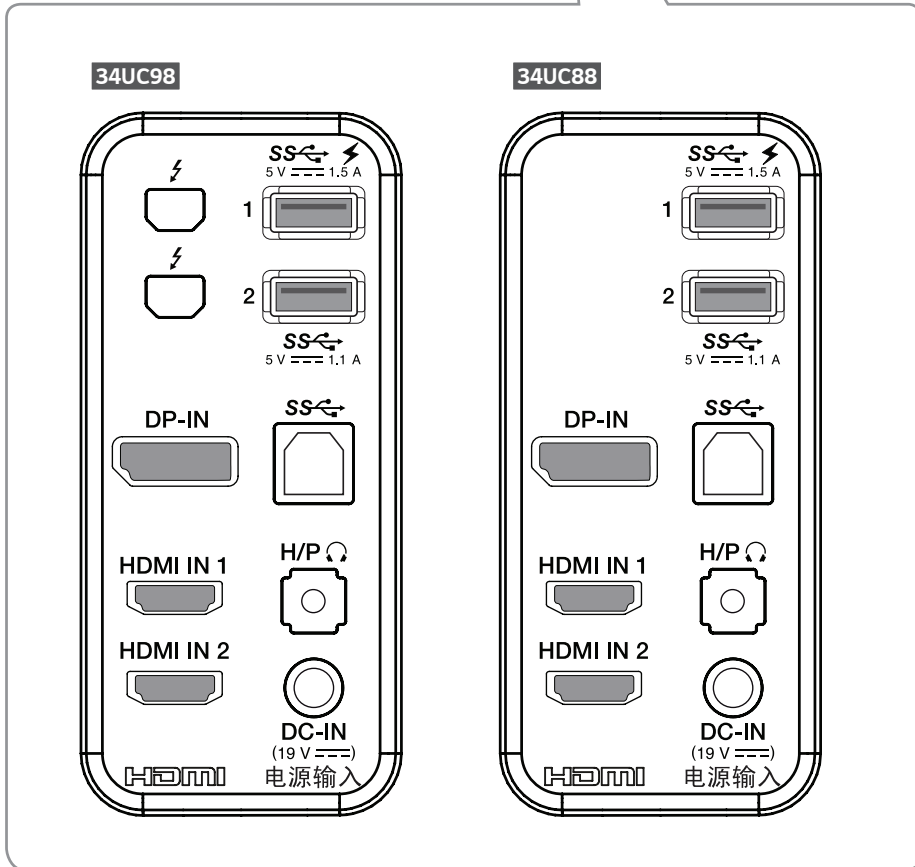
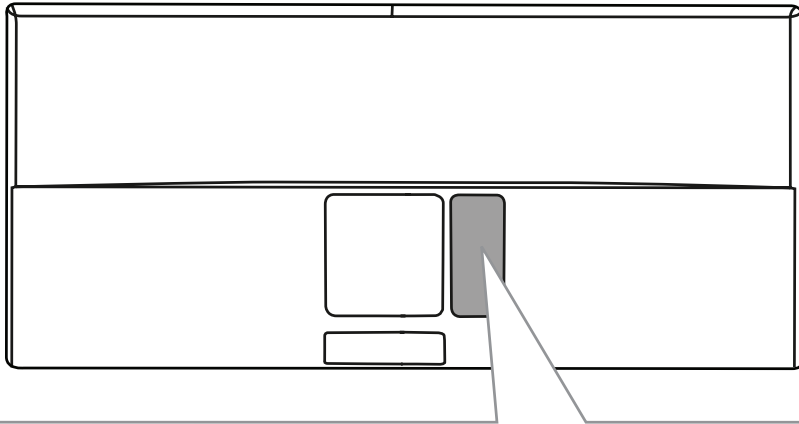
Basic Functions

| | | | |
|--|--|-----------------------|---|
| | | Power on | Press the joystick button once with your finger to turn on the monitor. |
| | | Power off | Press and hold the joystick button once with your finger to turn off the monitor. |
| | | Volume Control | You can control the volume by moving the joystick button left/right. |

NOTE

- The joystick button is located at the bottom of the monitor.

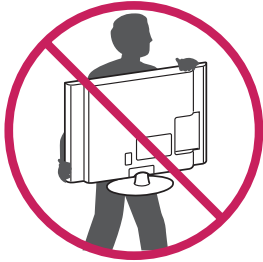
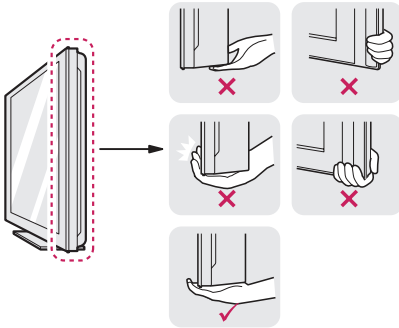
Input Connector



Moving and Lifting the Monitor

When moving or lifting the monitor, follow these instructions to prevent the monitor from being scratched or damaged and to ensure safe transportation, regardless of its shape or size.

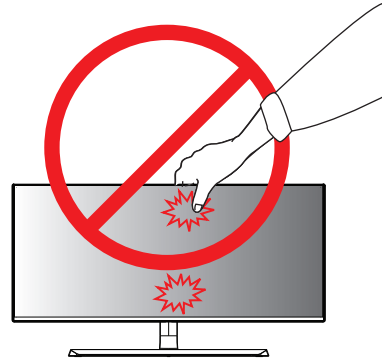
- Place the monitor in the original box or packing material before attempting to move it.
- Before moving or lifting the monitor, disconnect the power cord and all other cables.
- Hold the bottom and side of the monitor frame firmly. Do not hold the panel itself.



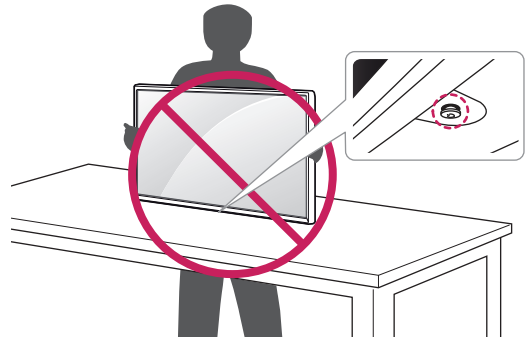
- When holding the monitor, the screen should face toward you to prevent it from being scratched.
- When transporting the monitor, do not expose the monitor to shock or excessive vibration.
- When moving the monitor, keep it upright and never turn the monitor on its side or tilt it sideways.

CAUTION

- Avoid touching the monitor screen as much as possible.
 - This may result in damage to the screen or some of the pixels used to create images.



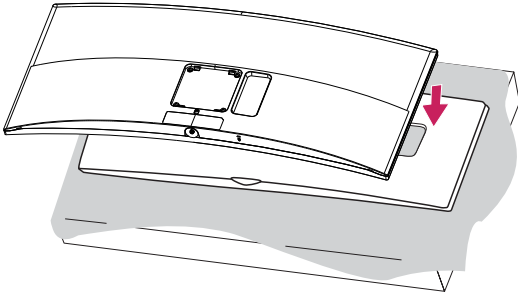
- If you use the monitor panel without the stand base, its joystick button may cause the monitor to become unstable and fall, resulting in damage to the monitor or human injury. In addition, this may cause the joystick button to malfunction.



Installing the Monitor

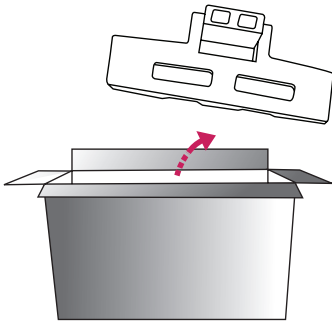
Assembling the Stand (34UC98)

1



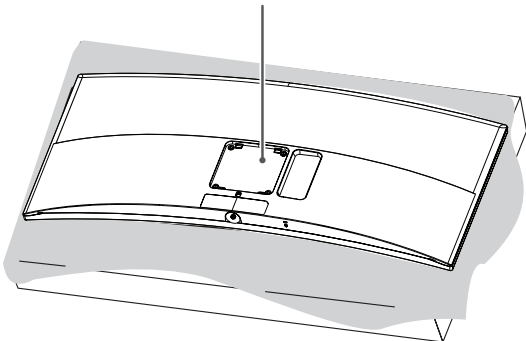
CAUTION

- To protect the screen, place the screen face down on the screen pad which is inside the box.

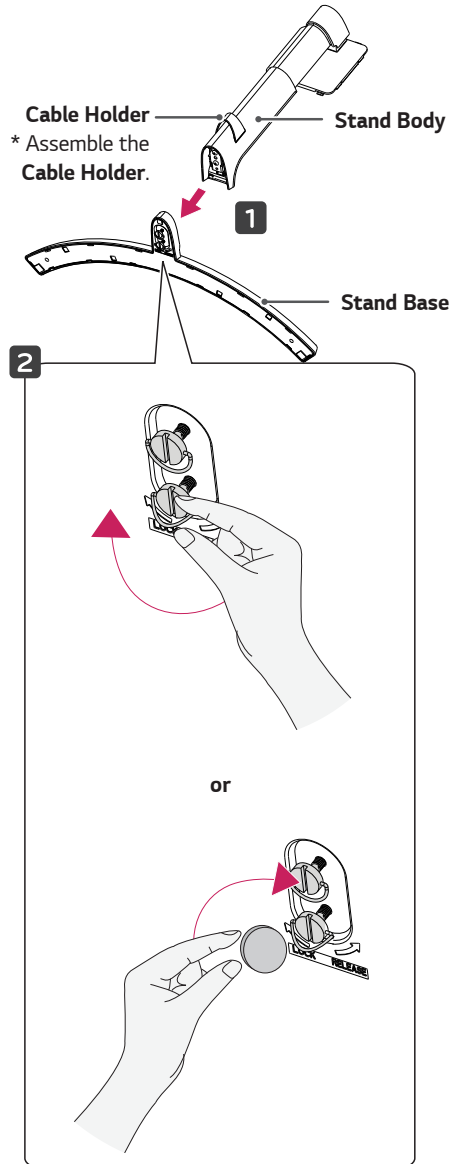


2

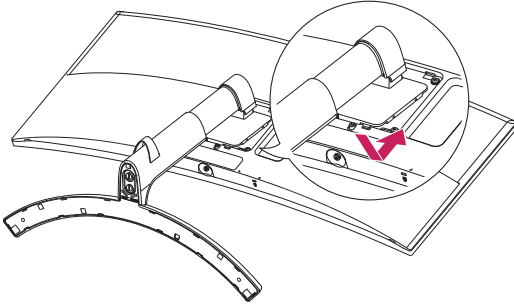
Stand Hinge



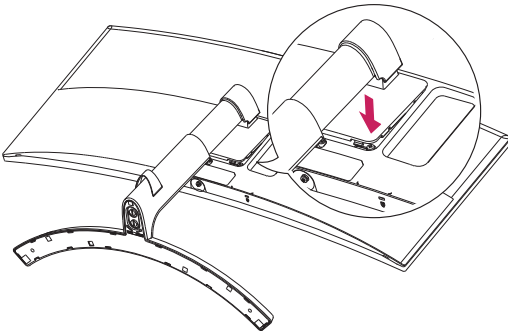
3



4

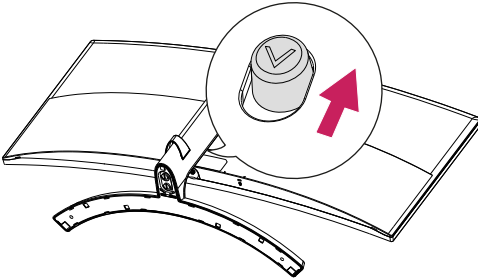


5



! **NOTE**

- Press the stand until the button reaches the top.

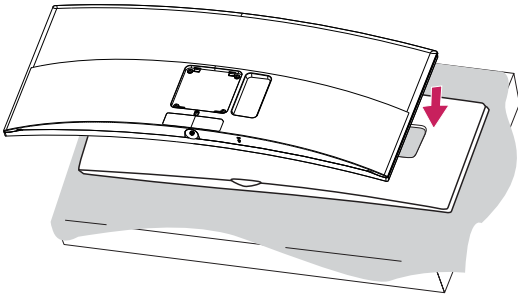


! **CAUTION**

- Illustrations in this document represent typical procedures, so they may look different from the actual product.
- Applying excessive force when tightening screws may cause damage to the monitor. Damage caused in this way will not be covered by the product warranty.
- Do not carry the monitor upside down by just holding the base. This may cause the monitor to fall off the stand and result in personal injury.
- When lifting or moving the monitor, do not touch the monitor screen. The force applied to the monitor screen may cause damage to it.

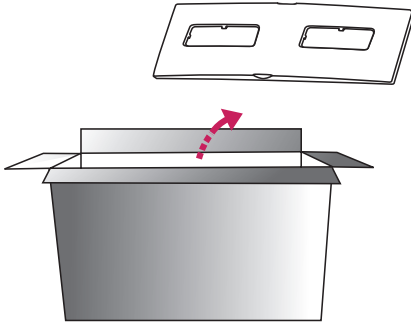
Assembling the Stand (34UC88)

1



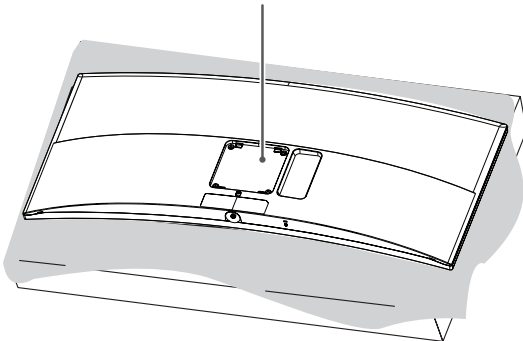
⚠ CAUTION

- To protect the screen, place the screen face down on the screen pad which is inside the box.

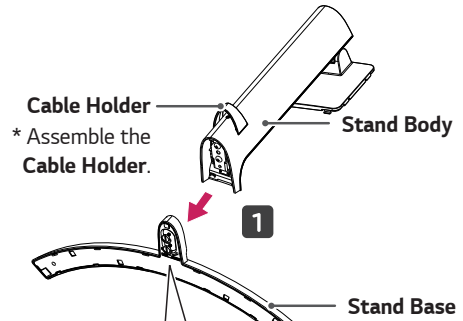


2

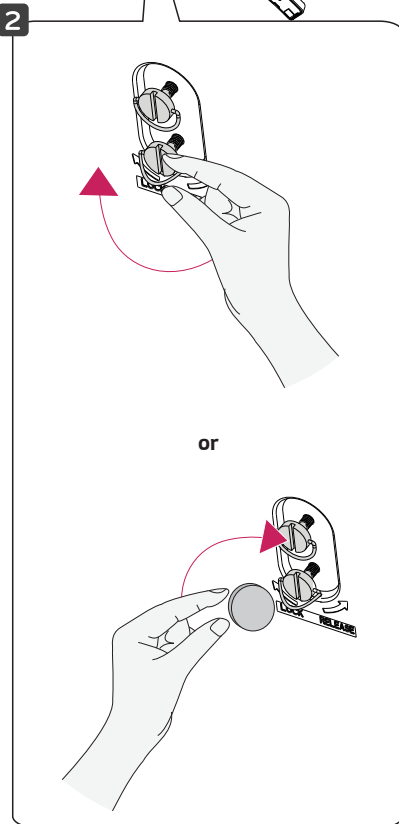
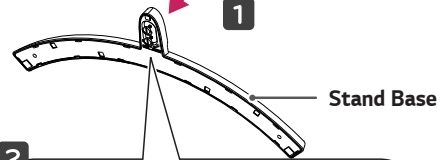
Stand Hinge



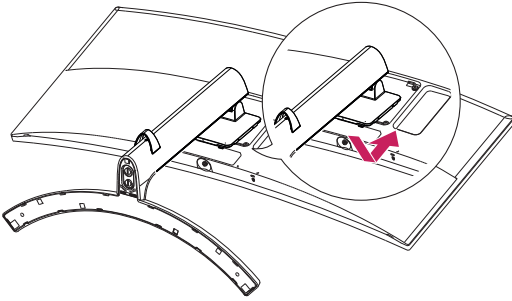
3



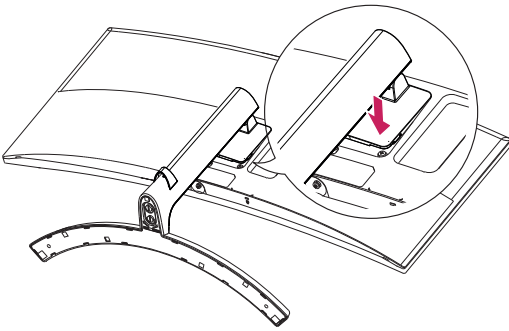
2



4

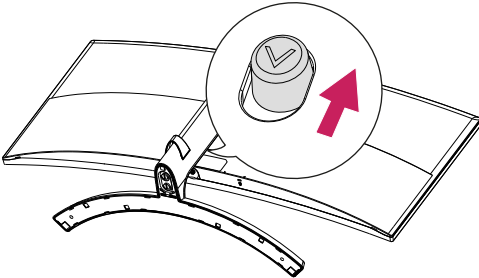


5



! **NOTE**

- Press the stand until the button reaches the top.

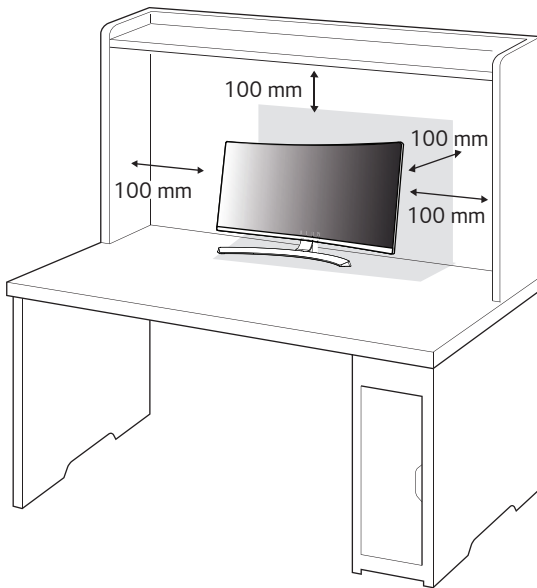


! **CAUTION**

- Illustrations in this document represent typical procedures, so they may look different from the actual product.
- Applying excessive force when tightening screws may cause damage to the monitor. Damage caused in this way will not be covered by the product warranty.
- Do not carry the monitor upside down by just holding the base. This may cause the monitor to fall off the stand and result in personal injury.
- When lifting or moving the monitor, do not touch the monitor screen. The force applied to the monitor screen may cause damage to it.

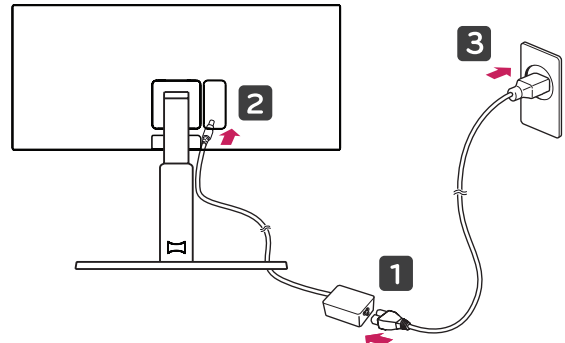
Installing on a Table

- 1 Lift the monitor and place it on the table in an upright position. Place the monitor at least 100 mm away from the wall to ensure sufficient ventilation.

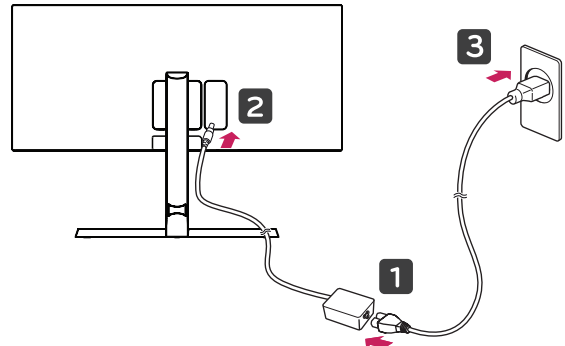


- 2 Connect the power adapter to the monitor and then plug the power cord into the wall outlet.

34UC98



34UC88

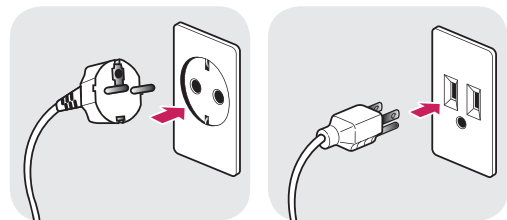


- 3 Press the joystick button on the bottom of the monitor to turn on the monitor.

⚠ CAUTION

- Unplug the power cord before moving or installing the monitor. There is risk of electric shock.

Cautions When Connecting Power Cord

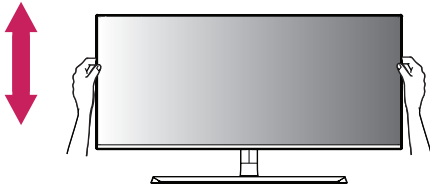


100-240 V ~

- Make sure to use the power cord that is provided in the product package and connect it to a grounded power outlet.
- If you need another power cord, please contact your local dealer or the nearest retail store.

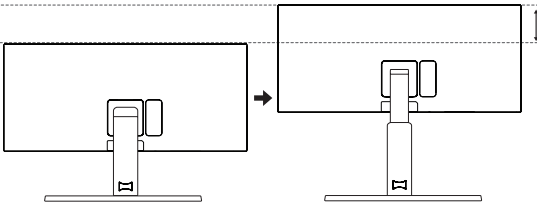
Adjusting the Stand Height

- 1 Place the monitor mounted on the stand base in an upright position.
- 2 Handle the monitor with both hands for safety.



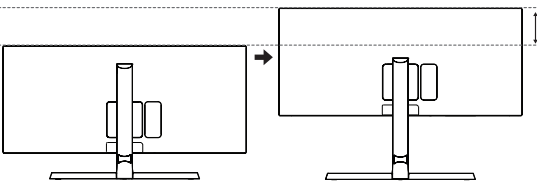
34UC98

Max 110.0 mm

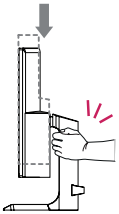


34UC88

Max 120.0 mm



WARNING



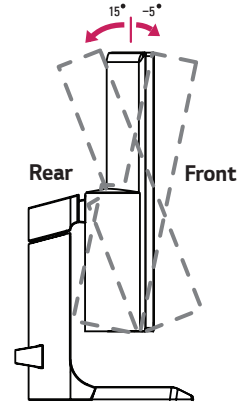
- When adjusting the screen height, do not place your hand on the stand body to avoid injury to your fingers.

Adjusting the Angle

- 1 Place the monitor mounted on the stand base in an upright position.
- 2 Adjust the angle of the screen.

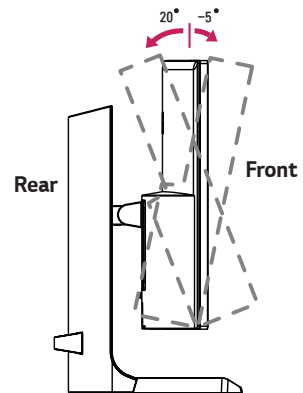
34UC98

The angle of the screen can be adjusted forward or backward from -5° to 15° for a comfortable viewing experience.



34UC88

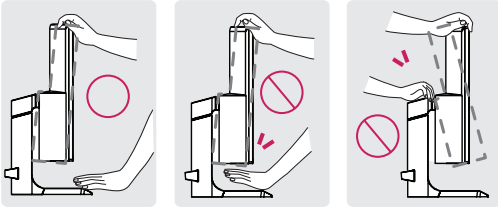
The angle of the screen can be adjusted forward or backward from -5° to 20° for a comfortable viewing experience.



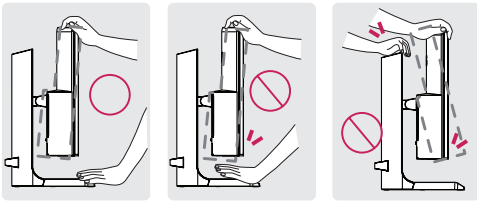
! WARNING

- To avoid injury to the fingers when adjusting the screen, do not hold the lower part of the monitor's frame as illustrated below.

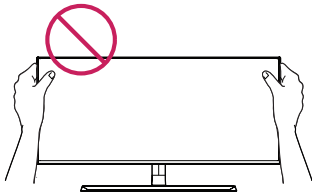
34UC98



34UC88



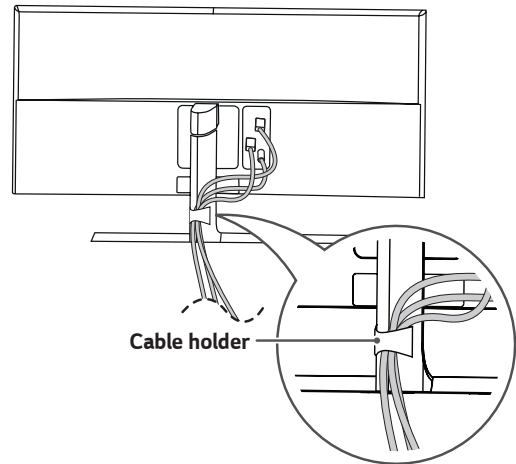
- Be careful not to touch or press the screen area when adjusting the angle of the monitor.



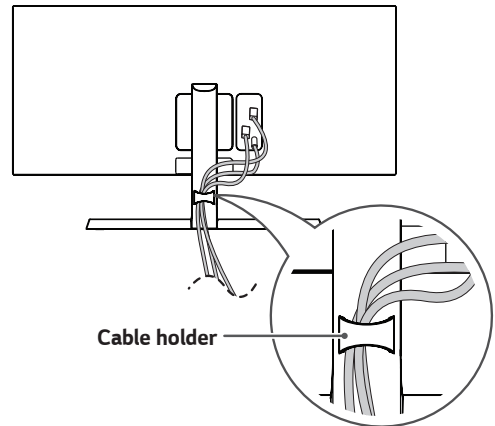
Tidying up Cables

Arrange the cables using the cable holder as shown in the illustration.

34UC98



34UC88

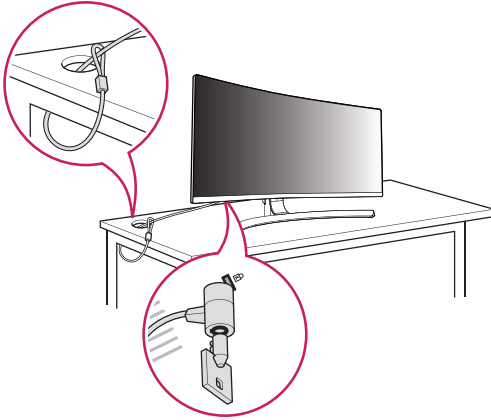


Using the Kensington Lock

The connector for the Kensington security system is located at the bottom of the monitor.

For more information on installation and usage, refer to the Kensington lock owner's manual or visit the website at <http://www.kensington.com>.

Connect the monitor to a table using the Kensington security system cable.

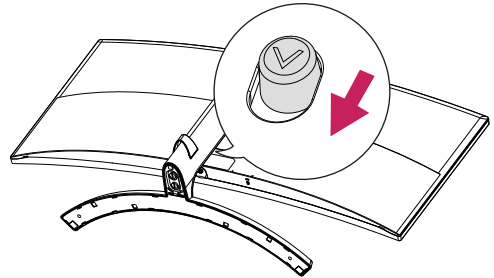


! NOTE

- The Kensington security system is optional. You can obtain optional accessories from most electronics stores.

Detaching the Stand Body

- 1 Place the monitor's screen face down. To protect the screen from scratches, cover the surface with a soft cloth.
- 2 Remove the stand from the monitor by pressing the button on the bottom center of the back of the monitor.



Installing the Wall Mount Plate

This monitor meets the specifications for the wall mount plate or other compatible devices.

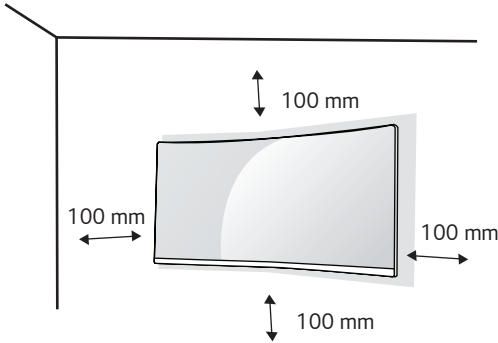
- 1 Place the screen face down. To protect the monitor panel (screen), cover the surface with a soft cloth or the monitor protection pad included in the product package.
- 2 Remove the four screws tightened on the back of the monitor.
- 3 Place the wall mount plate onto the monitor and align it with the screw holes.
- 4 Tighten the four screws using a screwdriver to fix the plate to the monitor.

! NOTE

- The wall mount plate is sold separately.
- For more information on installation, refer to the wall mount plate's installation guide.
- Be careful not to apply too much force while mounting the wall mount plate as it may cause damage to the screen.

Installing on the Wall

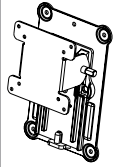
Install the monitor at least 100 mm away from the wall and leave about 100 mm of space at each side of the monitor to ensure sufficient ventilation. Detailed installation instructions can be obtained from your local retail store. Alternatively, please refer to the manual for how to install and set up a tilting wall mounting bracket.



To install the monitor to a wall, attach a wall mounting bracket (optional) to the back of the monitor.

Make sure that the wall mounting bracket is securely fixed to the monitor and to the wall.

- 1 If you use screws longer than the standard length, it may damage the inside of the product.
- 2 A non-VESA standard screw may damage the product and cause the monitor to fall. LG Electronics is not liable for any accidents relating to the use of non-standard screws.

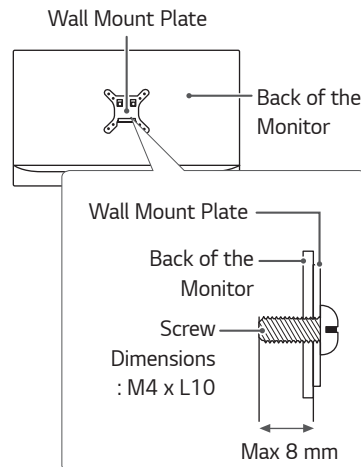
| | |
|------------------------------------|--|
| Wall Mount (mm) | 100 x 100 |
| Stand Screw | M4 x L10 |
| Required Screws | 4 |
| Wall Mount Plate (Optional) | RW120  |

NOTE

- Use the screws specified by VESA standards.
- The wall mount kit includes the installation guide and all necessary parts.
- The wall mounting bracket is optional. You can obtain optional accessories from your local dealer.
- The length of the screw may differ for each wall mounting bracket. Be sure to use the proper length.
- For more information, please refer to the user manual for the wall mounting bracket.

CAUTION

- Unplug the power cord before moving or installing the monitor to avoid electric shock.
- Installing the monitor on the ceiling or on a slanted wall may result in the monitor falling off, which could lead to injury. Use an authorized LG wall mount and contact the local dealer or qualified personnel.
- Applying excessive force when tightening screws may cause damage to the monitor. Damage caused in this way will not be covered by the product warranty.
- Use the wall mounting bracket and screws that conform to VESA standards. Damage caused by the use or misuse of inappropriate components will not be covered by the product warranty.
- When measured from the back of the monitor, the length of each installed screw must be 8 mm or less.



USING THE MONITOR

- The following instructions are based on the 34UC98 model. Illustrations in this manual may differ from the actual product.

Press the joystick button, go to **Menu** → **Quick Settings** → **Input**, and then select the input option.



CAUTION

- Do not press the screen for a prolonged time. This may cause image distortion.
- Do not display a still image on the screen for a prolonged time. This may cause image retention. Use a screensaver if possible.



NOTE

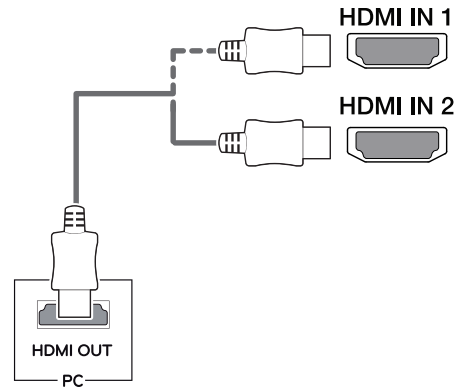
- When connecting the power cord to the outlet, use a grounded (3-hole) power strip or a grounded power outlet.
- The monitor may flicker when turned on in an area where the temperature is low. This is normal.
- Sometimes red, green, or blue spots may appear on the screen. This is normal.

Connecting to a PC

- This monitor supports the *Plug and Play feature.
- * Plug and Play: A feature that allows you to add a device to your computer without having to reconfigure anything or install any manual drivers.

HDMI Connection

Transmits digital video and audio signals from your PC to the monitor. Connect your PC to the monitor using the HDMI cable as shown in the illustration below.

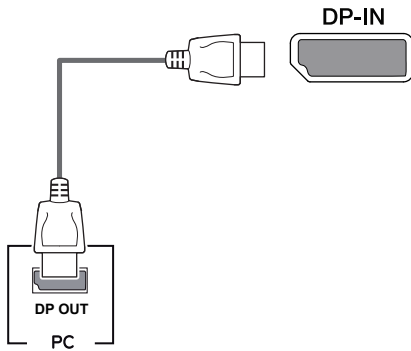


CAUTION

- Make sure to use the supplied HDMI cable of the product. Otherwise, this may cause the device to malfunction.
- Connecting your PC to the monitor using the HDMI cable may cause device compatibility issues.
- Using a DVI to HDMI / DP (DisplayPort) to HDMI cable may cause compatibility issues.
- Use a certified cable with the HDMI logo attached. If you do not use a certified HDMI cable, the screen may not display or a connection error may occur.
- Recommended HDMI cable types
 - High-Speed HDMI®/™ cable
 - High-Speed HDMI®/™ cable with Ethernet

DisplayPort Connection

Transmits digital video and audio signals from your PC to the monitor. Connect the monitor to your PC using the DisplayPort cable as shown in the illustration below.



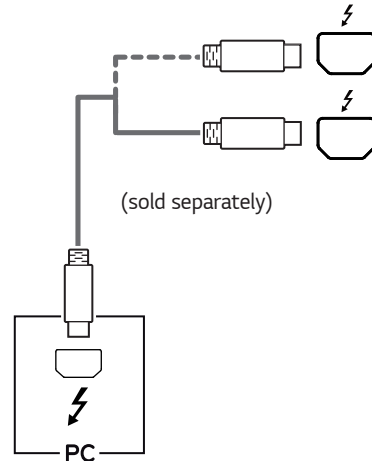
! NOTE

- There may be no video or audio output depending on the DP (DisplayPort) version of the PC.
- Make sure to use the supplied DisplayPort cable of the product. Otherwise, this may cause the device to malfunction.
- For using Mini DP to DP (Mini DisplayPort to DisplayPort) cable, it is recommended that you use DisplayPort 1.2 cable.

Thunderbolt Connection

34UC98

You can connect your high-resolution display or high-performance data device to the monitor via a Thunderbolt (⚡) port. Connect your external device to the monitor using the Thunderbolt cable as illustrated below.



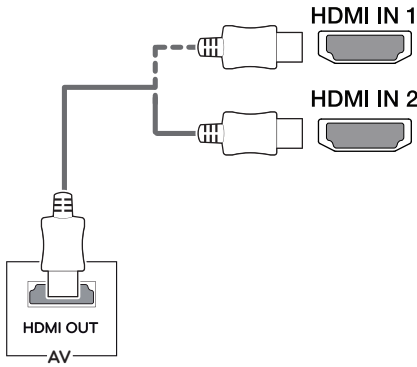
! NOTE

- The maximum data transmission rate of each port is 20 Gb/s.
- Make sure to use a Thunderbolt (⚡) certified cable. Otherwise, this may cause the device to malfunction.
- Thunderbolt (⚡) is supported in such environments as Windows 7, Windows 8.1, Windows 10, and Mac product.
- In accordance with Mac products may not support the recommended resolution or the some features.
- The ability to set up dual monitors using the Thunderbolt (⚡) and daisy-chaining technology depends on the performance of your video card.

Connecting AV Devices

HDMI Connection

HDMI transmits digital video and audio signals from your AV device to the monitor. Connect your AV device to the monitor using the HDMI cable as shown in the illustration below.



NOTE

- Make sure to use the supplied HDMI cable of the product. Otherwise, this may cause the device to malfunction.
- Using a DVI to HDMI / DP (DisplayPort) to HDMI cable may cause compatibility issues.
- Use a certified cable with the HDMI logo attached. If you do not use a certified HDMI cable, the screen may not display or a connection error may occur.
- Recommended HDMI cable types
 - High-Speed HDMI®/TM cable
 - High-Speed HDMI®/TM cable with Ethernet

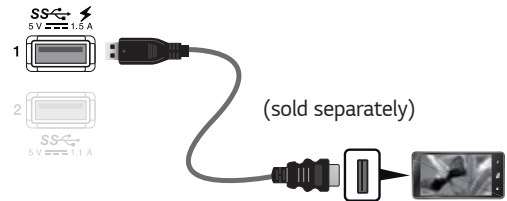
Connecting Peripherals

USB Cable connection - PC

The USB port on the product functions as a USB hub.

NOTE

- Make sure to install the most recent Windows OS service pack before using the product.
- Peripheral devices are sold separately.
- A keyboard, mouse, or USB device can be connected to the USB port.
- **Quick Charge** is only available through the USB1 port. When **Quick Charge** is set to **On**, data transmission through the USB1 port is not available (e.g. connecting your keyboard, mouse, or other USB storage devices to the monitor). (Go to **General** > **Quick Charge** to set **Quick Charge** to **On** or **Off**.)
- The charging speed may vary depending on the device.



CAUTION

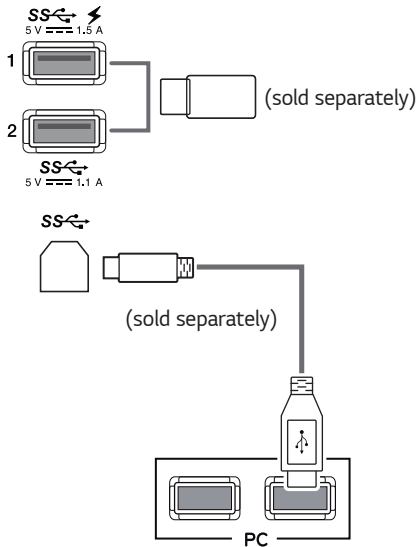
Cautions When Using a USB Device

- A USB device with an automatic recognition program installed, or that uses its own driver, may not be recognized.
- Some USB devices may not be supported or may not work properly.
- It is recommended to use a USB hub or hard disk drive with power supplied. (If the power supply is not adequate, the USB device may not be recognized properly.)

HDMI/DP (DisplayPort) connection

To use USB 3.0, connect the A-B type USB 3.0 cable of the product to the PC.

Peripheral devices connected to the USB IN port can be controlled from the PC.

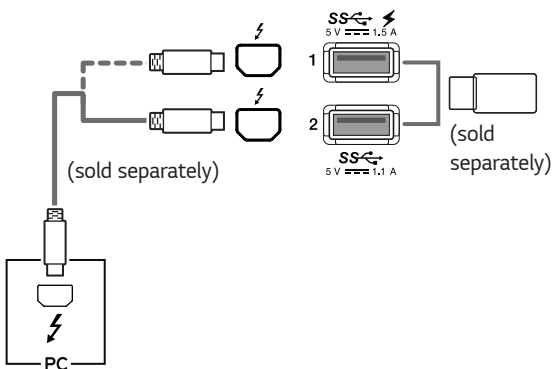


Thunderbolt connection

34UC98

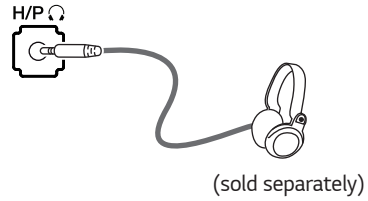
Peripheral devices connected to the USB IN port can be controlled from the PC.

If you change the input on the menu while a device is in connection via the Thunderbolt (⚡) port, then the device in connection via the USB port may not work properly.



Connecting Headphones

Connect peripherals to the monitor via the headphones port. Connect as illustrated.

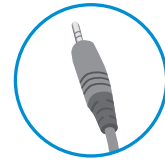


! NOTE

- Peripheral devices are sold separately.
- If you use angled earphones, it may cause a problem with connecting another external device to the monitor. Therefore, it is recommended to use straight earphones.



Angled



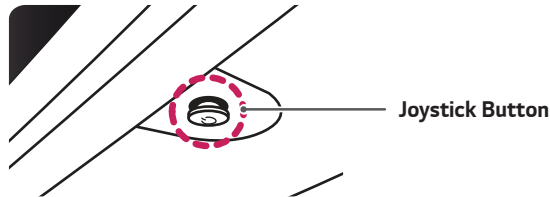
Straight

- Depending on the audio settings of the PC and external device, headphones and speaker functions may be limited.

USER SETTINGS

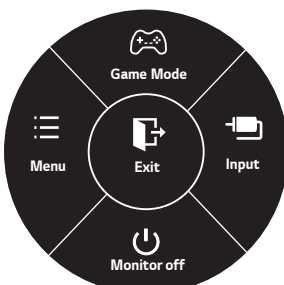
Activating the Main Menu

- 1 Press the joystick button on the bottom of the monitor.
- 2 Move the joystick up/down (▲ / ▼) and left/right (◀ / ▶) to set the options.
- 3 Press the joystick button once more to exit the main menu.



| Button | Menu Status | Description |
|--------|-----------------------------|---|
| | Main menu disabled | Enables the main menu. |
| | Main menu enabled | Exits the main menu. (Holding down the button to turn off the monitor. You can turn off the monitor this way at any time, including when the OSD is on.) |
| | ◀ Main menu disabled | Adjusts the monitor volume level. |
| | ◀ Main menu enabled | Enters the Menu features. |
| | ▶ Main menu disabled | Adjusts the monitor volume level. |
| | ▶ Main menu enabled | Enters the Input feature. |
| | ▲ Main menu disabled | Enables the main menu. |
| | ▲ Main menu enabled | Enters Game Mode . |
| | ▼ Main menu disabled | Enables the main menu. |
| | ▼ Main menu enabled | Turns off the monitor. |

Main Menu Features



Ⓞ Long Press: Monitor off

| Main Menu | Description |
|--------------------|-----------------------------------|
| Menu | Configures the screen settings. |
| Game Mode | Sets the picture mode for gaming. |
| Input | Sets input mode. |
| Monitor off | Turns off the monitor. |
| Exit | Exits the main menu. |

User Settings

Menu Settings

- 1 To view the OSD menu, press the joystick button at the bottom of the monitor and then enter the **Menu**.
 - 2 Configure the options by moving the joystick up/down/left/right.
 - 3 To return to the upper menu or set other menu items, move the joystick to ◀ or pressing (⊙ / Ok) it.
 - 4 If you want to exit the OSD menu, move the joystick to ◀ until you exit.
- When you enter the menu, instructions on how to use the button will appear in the bottom right corner of the screen.



Quick Settings



PBP



Picture



Sound




General



Reset

Each option is described below.

| Menu | | Description |
|----------------|----------------|---|
| Quick Settings | Brightness | Adjusts the color contrast and brightness of the screen. |
| | Contrast | |
| | Volume | Adjusts the volume level.  NOTE • You can adjust Mute / Unmute by moving the joystick button to ▼ in the Volume menu. |
| | Input | Selects the input mode. |
| | Ratio | Adjusts the aspect ratio of the screen. |
| PBP | PBP | Displays the screens of two input modes on one monitor. |
| Picture | Picture Mode | Changes the picture mode to the one optimized for a given feature. |
| | Picture Adjust | Adjusts the Sharpness , Black Level , and DFC . |
| | Game Adjust | Adjusts the Response Time , FreeSync , and Black Stabilizer . |
| | Color Adjust | Adjusts the Gamma , Color Temp , and Six Color . |
| Sound | | Adjusts the MaxxAudio , MaxxAudio Settings , and Midnight Mode . |
| General | | Sets Language , SMART ENERGY SAVING , Power LED , Automatic Standby , DisplayPort 1.2 , Quick Charge , Buzzer , and OSD Lock . |
| Reset | | Restores the default settings. |
| ◀ | Exit | Exits the OSD menu. |

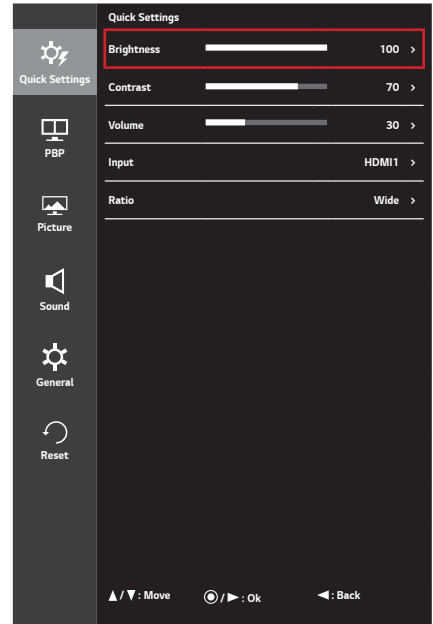


CAUTION

- Your monitor's OSD (On Screen Display) may differ slightly from that shown in this manual.

Quick Settings

- 1 To view the OSD menu, press the joystick button at the bottom of the monitor and then enter the **Menu**.
- 2 Go to **Quick Settings** by moving the joystick.
- 3 Configure the options following the instructions that appear in the bottom right corner.
- 4 To return to the upper menu or set other menu items, move the joystick to ◀ or pressing (⊙ / Ok) it.
- 5 If you want to exit the OSD menu, move the joystick to ◀ until you exit.



Each option is described below.

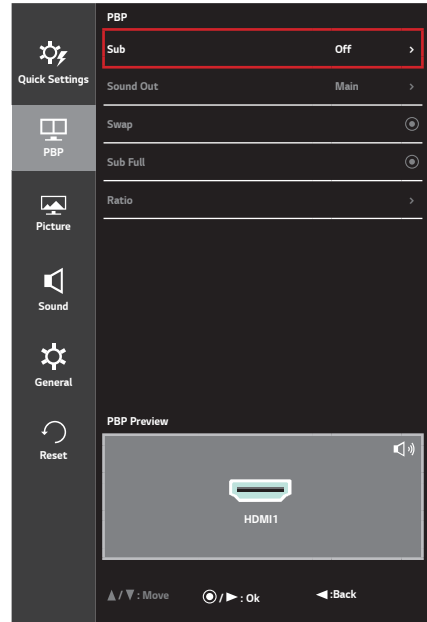
| Menu > Quick Settings | Description | |
|-----------------------|--|---|
| Brightness | Adjusts the color contrast and brightness of the screen. | |
| Contrast | | |
| Volume | Adjusts the volume level. | |
| | <p>! NOTE</p> <ul style="list-style-type: none"> You can adjust Mute / Unmute by moving the joystick button to ▼ in the Volume menu. | |
| Input | Selects the input mode. | |
| Ratio | Adjusts the aspect ratio of the screen. | |
| | Wide | Displays the video in widescreen, regardless of the video signal input. |
| | Original | Displays video according to the aspect ratio of the video signal input. |
| | Cinema1 | Enlarges the screen with an aspect ratio of 21:9. (at 1080p) |
| | Cinema2 | Enlarges the screen with an aspect ratio of 21:9, including the black box at the bottom for subtitles. (at 1080p) |
| 1:1 | The aspect ratio is not adjusted from the original. | |

! NOTE

- The display may look the same for **Wide**, **Original**, and **1:1** options at the recommended resolution (3440 x 1440).

PBP

- 1 To view the OSD menu, press the joystick button at the bottom of the monitor and then enter the **Menu**.
- 2 Go to **PBP** by moving the joystick.
- 3 Configure the options following the instructions that appear in the bottom right corner.
- 4 To return to the upper menu or set other menu items, move the joystick to ◀ or pressing (⊙ / Ok) it.
- 5 If you want to exit the OSD menu, move the joystick to ◀ until you exit.



Each option is described below.

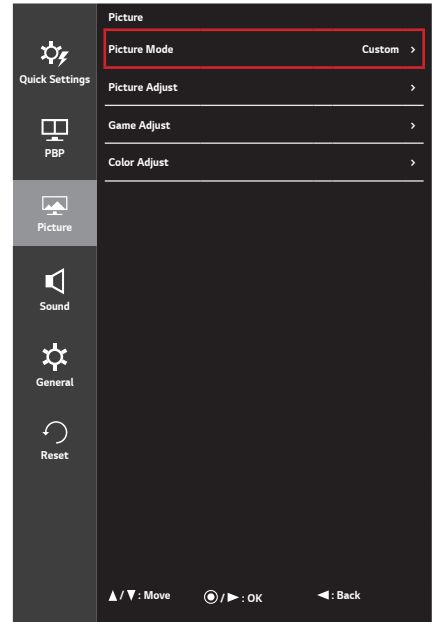
| Menu > PBP | Description | | | | | |
|--------------------|--|---|---|---------------|--------------------|--|
| Sub | Displays the screens of two input modes on one monitor. | | | | | |
| | PBP Connection | | Sub Screen (Right) | | | |
| | | | HDMI 1 | HDMI 2 | DisplayPort | Thunderbolt (⚡) (only 34UC98 model) |
| | Main Screen (Left) | HDMI 1 | - | X | O | O |
| | | HDMI 2 | X | - | O | O |
| DisplayPort | | O | O | - | X | |
| | Thunderbolt (⚡) (only 34UC98 model) | O | O | X | - | |
| Sound Out | Main | Selects the input for Main . | | | | |
| | Sub | Selects the input for Sub . | | | | |
| Swap | Toggles between the main screen and sub screen in PBP mode. | | | | | |
| Sub Full | Converts the sub screen in PBP mode to wide screen. | | | | | |
| Ratio | Adjusts the aspect ratio of the main screen or sub screen. | | | | | |
| | Main | Wide | Displays the video to fit the PBP screen, regardless of the video signal input. | | | |
| | | Original | Displays the video in the aspect ratio of the video signal input on the PBP screen. | | | |
| | Sub | Wide | Displays the video to fit the PBP screen, regardless of the video signal input. | | | |
| Original | | Displays the video in the aspect ratio of the video signal input on the PBP screen. | | | | |

! NOTE

- When the **Sub** mode is **Off**, **Sound Out**, **Swap**, **Sub Full**, and **Ratio** menus become disabled. The **Main / Sub** options for **Ratio** become disabled if there is no signal.


Picture

- 1 To view the OSD menu, press the joystick button at the bottom of the monitor and then enter the **Menu**.
- 2 Go to **Picture** by moving the joystick.
- 3 Configure the options following the instructions that appear in the bottom right corner.
- 4 To return to the upper menu or set other menu items, move the joystick to ◀ or pressing (○ / Ok) it.
- 5 If you want to exit the OSD menu, move the joystick to ◀ until you exit.



Each option is described below.

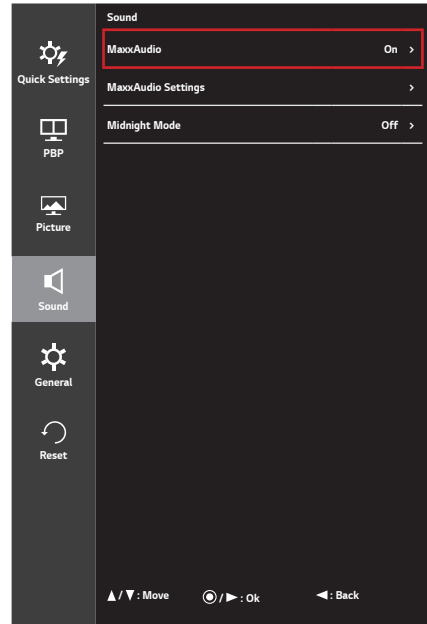
| Menu > Picture | Description | |
|----------------|---|---|
| Picture Mode | Custom | Allows the user to adjust each element. The color mode of the main menu can be adjusted. |
| | Reader | Optimizes the screen for viewing documents. You can brighten the screen in the OSD menu. |
| | Photo | Optimizes the screen for photos. |
| | Cinema | Optimizes the screen for video. |
| | Dark Room 1 | This mode adjusts the brightness to the optimal level for working in a dark environment. |
| | Dark Room 2 | This mode sets the brightness to a lower level than Dark Room 1 . |
| | Color Weakness | This mode is for users who cannot distinguish between red and green. It enables users with color weakness to easily distinguish between the two colors. |
| | FPS Game 1 | This mode is optimized for FPS games. |
| | FPS Game 2 | It has a higher Black Stabilizer value than FPS Game 1 . It is suitable for very dark FPS games. |
| | RTS Game | This mode is optimized for RTS Game. |
| | Custom (Game) | In this mode, users can customize various elements including game-related options. |
| | <p>! NOTE</p> <ul style="list-style-type: none"> If the Picture Mode is changed in the DP (DisplayPort) input, the screen may flicker or the resolution of your PC screen may be affected. | |

| Menu > Picture | Description | | |
|-----------------------|-------------------------|---|---|
| Picture Adjust | Sharpness | Adjusts the sharpness of the screen. | |
| | Black Level | Sets the offset level (for HDMI only). • Offset: as a reference for a video signal, this is the darkest color the monitor can display. | |
| | | High | Keeps the current contrast ratio of the screen. |
| | | Low | Lowers the black levels and raises the white levels from the current contrast ratio of the screen. |
| | DFC | On | Adjusts the brightness automatically according to the screen. |
| Off | | Disables the DFC feature. | |
| Game Adjust | Response Time | Sets a response time for displayed pictures based on the speed of the screen. For a normal environment, it is recommended that you use Middle . For a fast-moving picture, it is recommended that you use High . Setting to High may cause image sticking. | |
| | | High | Sets the response time to high. |
| | | Middle | Sets the response time to middle. |
| | | Low | Sets the response time to low. |
| | | Off | Does not use the response time improvement feature. |
| | FreeSync | Provides seamless and natural images by synchronizing the vertical frequency of the input signal with that of the output signal. | |
| | |  NOTE <ul style="list-style-type: none"> • To use the FreeSync feature, a graphic card that supports FreeSync is necessary. • Supported Interface: (Mini) DisplayPort. • For more information, refer to AMD website at http://www.amd.com/FreeSync. | |
| | | On | FreeSync function on. (Setting FreeSync to On disables the DisplayPort 1.2 option.) |
| | Off | FreeSync function off. | |
| | Black Stabilizer | You can control the black contrast to have better visibility in dark scenes. Increasing the Black Stabilizer value brightens the low gray level area on the screen. (You can easily distinguish objects on dark game screens.) Reducing the Black Stabilizer value darkens the low gray level area and increases the dynamic contrast on the screen. | |

| Menu > Picture | Description | | |
|---------------------|--|---|---|
| Color Adjust | Gamma | Custom gamma settings: Gamma 0, Gamma 1, Gamma 2, Off . The higher the gamma value, the darker the image becomes. Likewise, the lower the gamma value, the lighter the image becomes. If you do not need to adjust the gamma settings, select Off . | |
| | Color Temp | Custom | The user can adjust it to red, green, or blue by customization. |
| | | Warm | Sets the screen color to a reddish tone. |
| | | Medium | Sets the screen color to between a red and blue tone. |
| | | Cool | Sets the screen color to a bluish tone. |
| | Red | You can customize the picture color using Red, Green, and Blue colors. | |
| | Green | | |
| | Blue | | |
| | Six Color | Meets the user requirements for colors by adjusting the hue and saturation of the six colors (red, green, blue, cyan, magenta, and yellow) and then saving the settings. | |
| | | Hue | Adjusts the tone of the screen colors. |
| | | Saturation | Adjusts the saturation of the screen colors. The lower the value, the less saturated and brighter the colors become. The higher the value, the more saturated and darker the colors become. |
| Reset | Returns color to the default settings. | | |

Sound

- 1 To view the OSD menu, press the joystick button at the bottom of the monitor and then enter the **Menu**.
- 2 Go to **Sound** by moving the joystick.
- 3 Configure the options following the instructions that appear in the bottom right corner.
- 4 To return to the upper menu or set other menu items, move the joystick to ◀ or pressing (⊙ / Ok) it.
- 5 If you want to exit the OSD menu, move the joystick to ◀ until you exit.

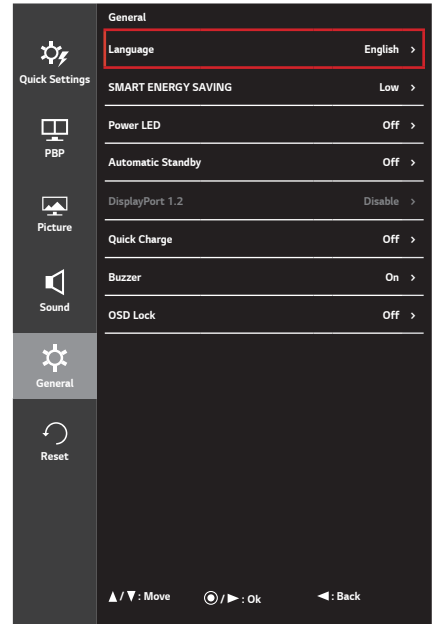


Each option is described below.


| Menu > Sound | Description | |
|---------------------------|--|---|
| MaxxAudio | On | MaxxAudio® by Waves, recipient of a Technical GRAMMY Award® is a suite of studio-quality sound tools for a superior listening experience. |
| | Off | Disables the MaxxAudio function. |
| MaxxAudio Settings | The user can set the sound quality manually. | |
| | MaxxBass | Bass Enhancement. |
| | MaxxTreble | Treble Enhancement. |
| | MaxxDialog | Dialog Enhancement. |
| | Maxx3D | Enhances the three dimensional effect of the sound. |
| | Reset | Returns the sound quality to the default settings. |
| Midnight Mode | On | Lets you enjoy rich and full sound at a low volume. |
| | Off | Disables Midnight Mode . |



General

- 1 To view the OSD menu, press the joystick button at the bottom of the monitor and then enter the **Menu**.
- 2 Go to **General** by moving the joystick.
- 3 Configure the options following the instructions that appear in the bottom right corner.
- 4 To return to the upper menu or set other menu items, move the joystick to ◀ or pressing (⊙ / Ok) it.
- 5 If you want to exit the OSD menu, move the joystick to ◀ until you exit.



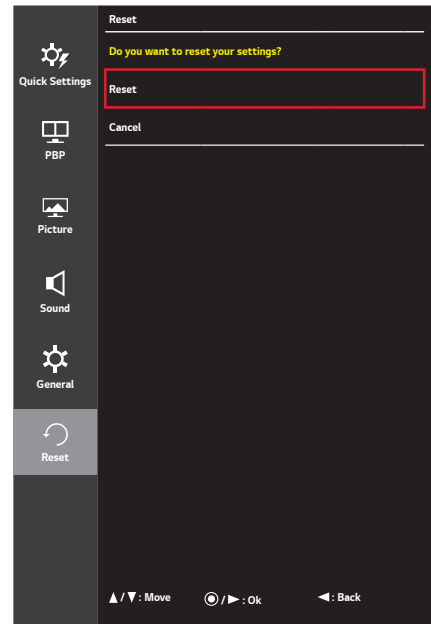
Each option is described below.

| Menu > General | Description | |
|----------------------------|--|--|
| Language | Sets the menu screen to the desired language. | |
| SMART ENERGY SAVING | High | Saves energy using the high-efficiency SMART ENERGY SAVING feature. |
| | Low | Saves energy using the low-efficiency SMART ENERGY SAVING feature. |
| | Off | Disables the SMART ENERGY SAVING feature. |
| Power LED | Turns the power LED on the front of the monitor On or Off . | |
| | On | The power LED turns on automatically. |
| Off | The power LED turns off. | |
| Automatic Standby | Feature that automatically turns off the monitor when there is no movement on the screen for a period of time. You can set a timer for the auto-off function. (Off , 4 H , 6 H , and 8 H) | |
| DisplayPort 1.2 | Enables or disables DisplayPort 1.2 . | |
| | <p> NOTE</p> <ul style="list-style-type: none"> • Be sure to configure this option according to the DisplayPort version supported by your graphics card. Set this option to Disable if your graphics card does not support DisplayPort 1.2. • When DisplayPort 1.2 is disabled, you cannot use the 10-bit output of your video card. | |

| Menu > General | Description | |
|---------------------|--|---|
| Quick Charge | Quick Charge is a feature that rapidly charges the device connected to the USB 3.0 port. | |
| | On | Enables Quick Charge . |
| | Off | Disables Quick Charge . |
| |  NOTE <ul style="list-style-type: none"> • Quick Charge is only available through the USB1 port. When Quick Charge is set to On, data transmission through the USB1 port is not available (e.g. connecting your keyboard, mouse, or other USB storage devices to the monitor). • The charging speed may vary depending on the device. | |
| Buzzer | This feature lets you set the sound generated from Buzzer when your monitor powers on to On or Off . | |
| | On | Enables your monitor's Buzzer . |
| | Off | Disables your monitor's Buzzer . |
| OSD Lock | This feature disables the configuration and adjustment of menus. | |
| | On | Enables OSD Lock . |
| | Off | Disables OSD Lock . |
| |  NOTE <ul style="list-style-type: none"> • All features are disabled except Brightness, Contrast, Volume, Input in Quick Settings, and OSD Lock in General. | |

Reset

- 1 To view the OSD menu, press the joystick button at the bottom of the monitor and then enter the **Menu**.
- 2 Go to **Reset** by moving the joystick.
- 3 Configure the options following the instructions that appear in the bottom right corner.
- 4 To return to the upper menu or set other menu items, move the joystick to ◀ or pressing (⊙ / Ok) it.
- 5 If you want to exit the OSD menu, move the joystick to ◀ until you exit.



Each option is described below.

| Menu > Reset | Description |
|--|--------------------------------|
| Do you want to reset your settings? | |
| Reset | Restores the default settings. |
| Cancel | Cancel the reset. |

TROUBLESHOOTING

| Nothing is displayed on the screen. | |
|---|--|
| Is the monitor's power cord plugged in? | <ul style="list-style-type: none"> • Check if the power cord is correctly plugged into the power outlet. |
| Is the power LED on? | <ul style="list-style-type: none"> • Check the power cable connection and press the power button. |
| Is the power on and the power LED displaying white? | <ul style="list-style-type: none"> • Check that the connected input is enabled (Menu > Quick Settings > Input). |
| Is the power LED blinking? | <ul style="list-style-type: none"> • If the monitor is in sleep mode, move the mouse, or press any key on the keyboard, to switch the display on. • Check if the computer is turned on. |
| Is the OUT OF RANGE message being displayed? | <ul style="list-style-type: none"> • This occurs when signals transferred from the PC (graphics card) are out of the horizontal or vertical frequency range of the monitor. Please see the Product Specification section of this manual to set the appropriate frequency. |
| Is the No Signal message being displayed? | <ul style="list-style-type: none"> • This is displayed when the signal cable between the PC and the monitor is missing or disconnected. Check the cable and reconnect it. |
| The screen may not be displayed properly when configuring DisplayPort 1.2 in a Mac product. | <ul style="list-style-type: none"> • DisplayPort 1.2 may not be supported depending upon the Mac product. Please contact the manufacturer. |

| The OSD Lock message is being displayed. | |
|--|--|
| Are some functions not available when you press the Menu button? | <ul style="list-style-type: none"> • The OSD is locked. Go to Menu > General and set OSD Lock to Off. |

| The screen retains an image. | |
|--|---|
| Does image sticking occur even when the monitor is turned off? | <ul style="list-style-type: none"> • Displaying a still image for a prolonged time may cause damage to the screen, resulting in the retention of the image. • To extend the lifetime of the monitor, use a screensaver. |

| Screen display is unstable and shaky. / Images displayed on the monitor leave shadow trails. | |
|---|---|
| Did you select the appropriate resolution? | <ul style="list-style-type: none"> • If the selected resolution is HDMI 1080i 60/50 Hz (interlaced), the screen may be flickering. Change the resolution to 1080p or the recommended resolution. |

NOTE

- **Vertical Frequency:** In order to display an image, the screen must be refreshed dozens of times per second, like a fluorescent lamp. The number of times the screen is refreshed per second is called vertical frequency, or refresh rate, and is represented by Hz.
- **Horizontal Frequency:** The time it takes to display one horizontal line is called the horizontal cycle. If 1 is divided by the horizontal interval, the result is the number of horizontal lines displayed per second. This is called horizontal frequency and is represented by kHz.

 **NOTE**

- Check if the graphics card's resolution or frequency is within the range allowed by the monitor and set it to the recommended (optimal) resolution **Control Panel > Display > Settings** in Windows. (The settings may differ depending on the operating system (OS) you use.)
- Not setting the graphics card to the recommended (optimal) resolution may result in blurred text, a dimmed screen, a truncated display area or misalignment of the display.
- The setting methods may be different depending on the computer or operating system, and some resolutions may not be available depending on the performance of the graphics card. If this is the case, contact the manufacturer of the computer or graphics card for assistance.
- Some graphics cards may not support 3440 x 1440 resolution. If the resolution cannot be displayed, contact the manufacturer of your graphics card.

| The display color is abnormal. | |
|---|---|
| Does the display appear discolored (16 colors)? | <ul style="list-style-type: none"> • Set the color to 24 bit (true color) or higher. In Windows, go to Control Panel > Display > Settings > Color Quality. (The settings may differ depending on the operating system (OS) you use.) |
| Does the display color appear unstable or monochrome? | <ul style="list-style-type: none"> • Check if the signal cable is connected properly. Reconnect the cable or reinsert the PC's graphics card. |
| Are there spots on the screen? | <ul style="list-style-type: none"> • When using the monitor, pixilated spots (red, green, blue, white, or black) may appear on the screen. This is normal for an LCD screen. It is not an error, nor is it related to the monitor's performance. |

| Do you see an "Unrecognized monitor, Plug and Play (VESA DDC) monitor found" message? | |
|--|---|
| Have you installed the display driver? | <ul style="list-style-type: none"> • Be sure to install the display driver from the display driver CD (or diskette) that comes with your display. Or, you can also download the driver from our web site: http://www.lg.com. • Make sure to check if the graphics card supports Plug and Play function. |

| No sound from the headphone port. | |
|--|--|
| Are images displayed using DP (DisplayPort) or HDMI input without sound? | <ul style="list-style-type: none"> • Make sure that the headphone port connections are made properly. • Try increasing the volume with the joystick. • Set the audio output of the PC to the monitor you are using. On Microsoft Windows, go to Control Panel > Hardware and Sound > Sound > set the Monitor as default device. (The settings may differ depending on the operating system (OS) you use.) |

PRODUCT SPECIFICATION

34UC98

| | | | |
|--------------------------|--|---|------------------------------------|
| LCD Screen | Type | TFT (Thin Film Transistor) LCD (Liquid Crystal Display) Screen | |
| | Color Depth | HDMI | 8-bit color is supported. |
| | | DP (DisplayPort) | 8-bit / 10-bit color is supported. |
| | | Thunderbolt (⚡) | |
| Pixel Pitch | 0.2325 mm x 0.2325 mm | | |
| Resolution | Max Resolution | 3440 x 1440 @ 60 Hz | |
| | Recommended Resolution | | |
| Video Signal | Horizontal Frequency | 30 kHz to 90 kHz | |
| | Vertical Frequency | 56 Hz to 61 Hz | |
| | Synchronization | Separate Sync. | |
| Input Connector | H/P OUT, HDMI IN 1, HDMI IN 2, DP (DisplayPort) IN, Thunderbolt (⚡) x 2, USB UP, USB (SS) 1, 2 | | |
| Power Sources | Power Rating | 19 V --- 5.6 A | |
| | Power Consumption (Typical) | Operating Mode: 70 W (Typical, USB excluded) (Outgoing condition) Sleep Mode ≤ 1.2 W Off Mode ≤ 0.3 W | |
| AC/DC Adapter | ADS-110CL-19-3-190110G type, manufactured by Honor Output: 19 V --- 5.79 A | | |
| Environmental Conditions | Operating Conditions | Temperature | 0 °C to 40 °C |
| | | Humidity | Less than 80 % |
| | Storing Conditions | Temperature | -20 °C to 60 °C |
| | | Humidity | Less than 85 % |

| | | |
|----------------------------|---------------------------------------|-----------------------|
| Dimensions | Monitor Size (Width x Height x Depth) | |
| | With Stand (mm) | 817.6 x 451.4 x 230.4 |
| | Without Stand (mm) | 817.6 x 360.8 x 88.7 |
| Weight (Without Packaging) | With Stand (kg) | 7.8 |
| | Without Stand (kg) | 6.2 |

Specifications are subject to change without notice.

34UC88

| | | | |
|--------------------------|---|---|------------------------------------|
| LCD Screen | Type | TFT (Thin Film Transistor) LCD (Liquid Crystal Display) Screen | |
| | Color Depth | HDMI | 8-bit color is supported. |
| | | DP (DisplayPort) | 8-bit / 10-bit color is supported. |
| | Pixel Pitch | 0.2325 mm x 0.2325 mm | |
| Resolution | Max Resolution | 3440 x 1440 @ 60 Hz | |
| | Recommended Resolution | | |
| Video Signal | Horizontal Frequency | 30 kHz to 90 kHz | |
| | Vertical Frequency | 56 Hz to 61 Hz | |
| | Synchronization | Separate Sync. | |
| Input Connector | H/P OUT, HDMI IN 1, HDMI IN 2, DP (DisplayPort) IN, USB UP, USB (SS) 1, 2 | | |
| Power Sources | Power Rating | 19 V --- 4.3 A | |
| | Power Consumption (Typical) | Operating Mode: 65 W (Typical, USB excluded) (Outgoing condition) Sleep Mode ≤ 1.2 W Off Mode ≤ 0.3 W | |
| AC/DC Adapter | ADS-110CL-19-3-190110G type, manufactured by Honor Output: 19 V --- 5.79 A | | |
| Environmental Conditions | Operating Conditions | Temperature | 0 °C to 40 °C |
| | | Humidity | Less than 80 % |
| | Storing Conditions | Temperature | -20 °C to 60 °C |
| | | Humidity | Less than 85 % |

| | | |
|----------------------------|---------------------------------------|-----------------------|
| Dimensions | Monitor Size (Width x Height x Depth) | |
| | With Stand (mm) | 817.6 x 447.8 x 252.4 |
| | Without Stand (mm) | 817.6 x 360.8 x 88.7 |
| Weight (Without Packaging) | With Stand (kg) | 8.3 |
| | Without Stand (kg) | 6.2 |

Specifications are subject to change without notice.

Factory Support Mode

34UC98

(Preset Mode, HDMI/ DisplayPort/ Thunderbolt PC)

34UC88

(Preset Mode, HDMI/ DisplayPort PC)

| Preset Mode | Horizontal Frequency (kHz) | Vertical Frequency (Hz) | Polarity (H/V) | Remarks |
|-------------|----------------------------|-------------------------|----------------|---------|
| 640 x 480 | 31.469 | 59.94 | -/- | |
| 800 x 600 | 37.879 | 60.317 | +/+ | |
| 1024 x 768 | 48.363 | 60.0 | -/- | |
| 1152 x 864 | 54.347 | 60.05 | +/+ | |
| 1280 x 720 | 45 | 60 | +/+ | |
| 1280 x 1024 | 63.981 | 60.02 | +/+ | |
| 1600 x 900 | 60.00 | 60.00 | +/+ | |
| 1680 x 1050 | 65.29 | 59.954 | -/+ | |
| 1920 x 1080 | 67.50 | 60 | +/- | |
| 2560 x 1080 | 66.7 | 60 | -/+ | |
| 3440 x 1440 | 43.82 | 29.99 | +/+ | |
| 3440 x 1440 | 73.68 | 49.99 | +/+ | |
| 3440 x 1440 | 88.82 | 59.97 | +/+ | |

HDMI Timing (Video)

| Preset Mode | Horizontal Frequency (kHz) | Vertical Frequency (Hz) | Remarks |
|-------------|----------------------------|-------------------------|--------------|
| 480p | 31.47 | 60 | |
| 576p | 31.25 | 50 | |
| 720p | 45 | 60 | |
| 720p | 37.5 | 50 | |
| 1080p | 67.5 | 60 | |
| 1080p | 56.25 | 50 | |
| 1080p | 56.25 | 60 | 2560 x 1080p |
| 1080p | 66 | 50 | 2560 x 1080p |

Power LED

| Mode | LED Color |
|------------|-------------------------|
| On Mode | White (Only 15 seconds) |
| Sleep Mode | Flashing White |
| Off Mode | Off |



To obtain the source code under GPL, LGPL, MPL, and other open source licenses, that is contained in this product, please visit <http://opensource.lge.com>.

In addition to the source code, all referred license terms, warranty disclaimers and copyright notices are available for download.

LG Electronics will also provide open source code to you on CD-ROM for a charge covering the cost of performing such distribution (such as the cost of media, shipping, and handling) upon email request to opensource@lge.com. This offer is valid for three (3) years from the date on which you purchased the product.

This device meets the EMC requirements for home appliances (Class B) and is intended for home usage. This device can be used in all regions. Read the owner's manual (CD) carefully and keep it at hand. Please note that the label attached to the product provides information for technical support.

Model _____

Serial No. _____



ENERGY STAR® is a set of power-saving guidelines issued by the U.S. Environmental Protection Agency (EPA).

As an ENERGY STAR® Partner LGE U. S. A., Inc. has determined that this product meets the ENERGY STAR® guidelines for energy efficiency.

Refer to ENERGYSTAR.gov for more information on the ENERGY STAR® program.