

QL2.1-SYSTEM

DE MONTAGEANLEITUNG:
 GB ASSEMBLY INSTRUCTIONS:
 FR INSTRUCTIONS DE MONTAGE:

IT ISTRUZIONI DI MONTAGGIO:
 NL MONTAGE HANDLEIDING:
 DK MONTERINGSVEJLEDNING:

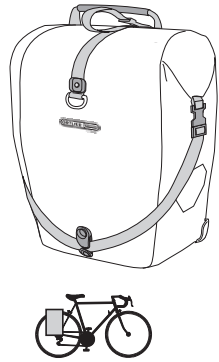
ES INSTRUCCIONES DE MONTAJE:
 SE MONTERINGS ANVISNING:
 NO MONTERINGS ANVISNING:

FI ASENNUSOHJEET:
 PL INSTRUKCJA MONTAZU:
 JP 換気の良い所に保管してください。

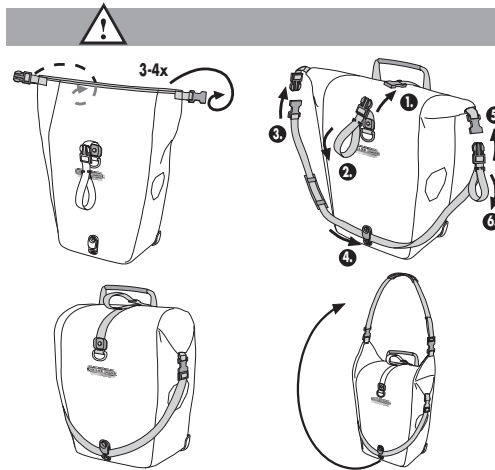


QL2.1 - MODELS

Back-Roller



Front-Roller / Sport-Roller incl.



ACCESSOIRES

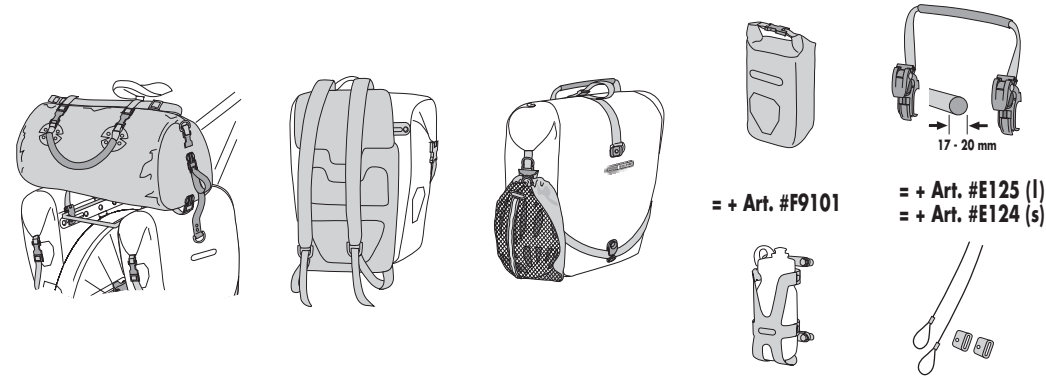
= + Rack-Pack, Size S+M

= + Art. #F34

= + Art. #F9121

= + Art. #F915

= + Art. #E193

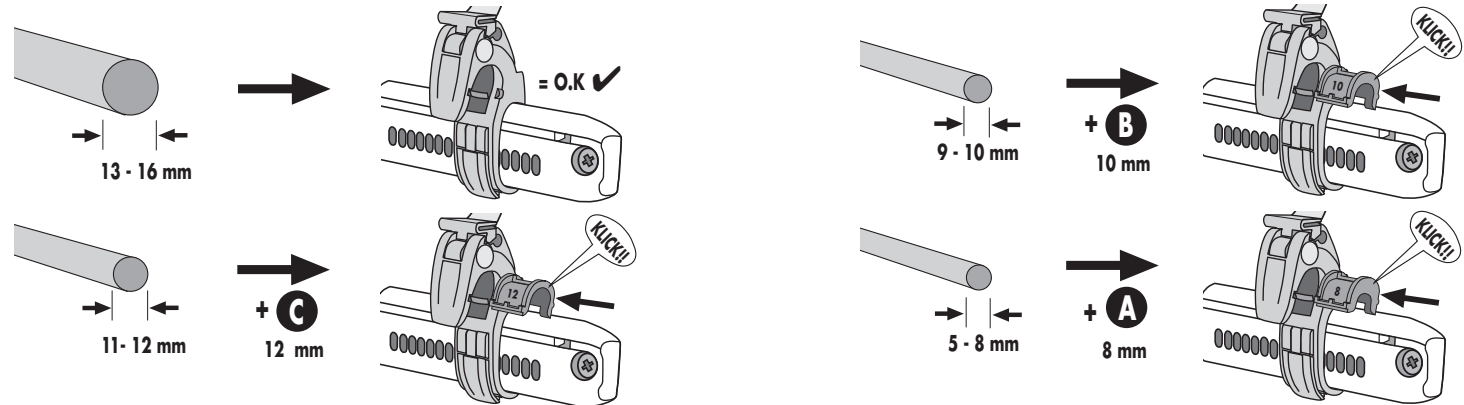
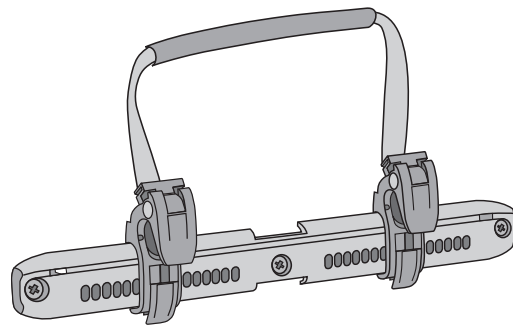


= + Art. #F9101

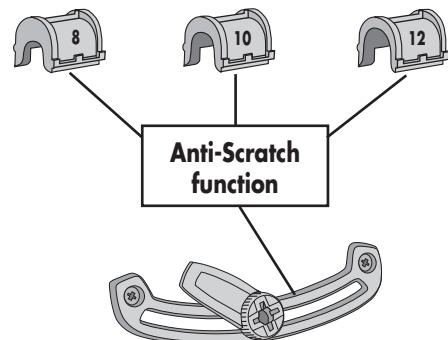
= + Art. #E125 (l)
 = + Art. #E124 (s)

QL2.1

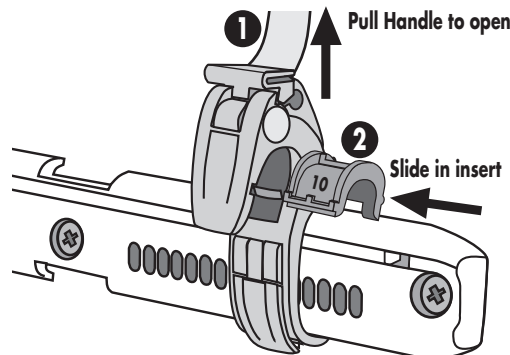
A



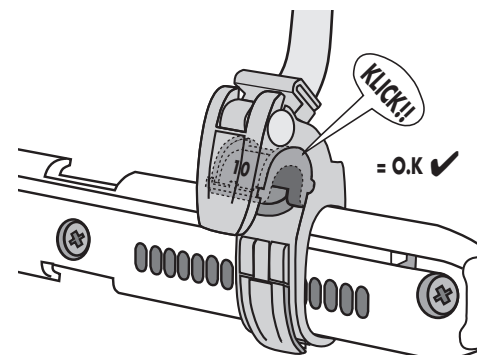
= **A** 8 mm = **B** 10 mm = **C** 12 mm



B



C



D

