

DAILY REFERENCE GUIDE



THANK YOU FOR PURCHASING A WHIRLPOOL PRODUCT

To receive more comprehensive help and support, please register your product at www.whirlpool.eu/register



You can download the Safety Instructions and the Use and Care Guide by visiting our website <http://docs.whirlpool.eu> and following the instructions on the back of this booklet.

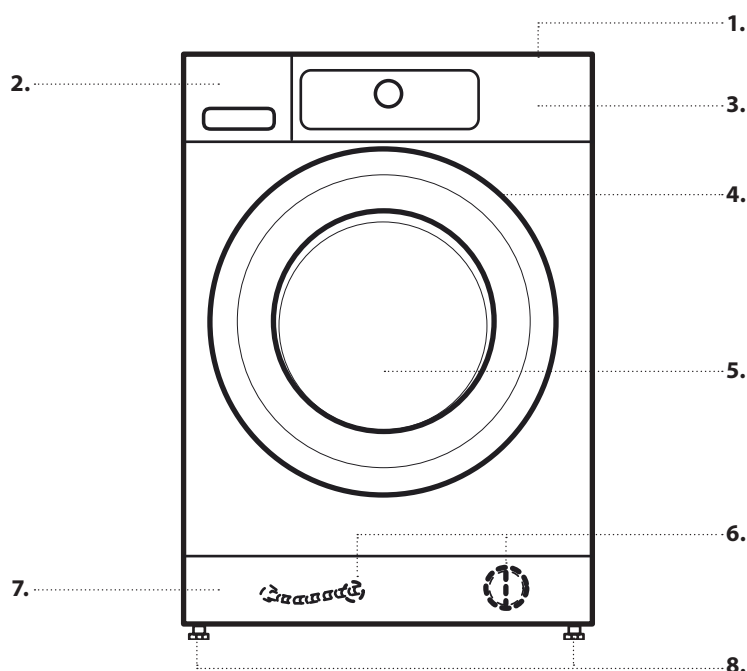
Before using the appliance carefully read the Health and Safety guide.



Before using the machine, it is imperative that the transport bolts are removed. For more detailed instructions on how to remove them, see the Installation Guide.

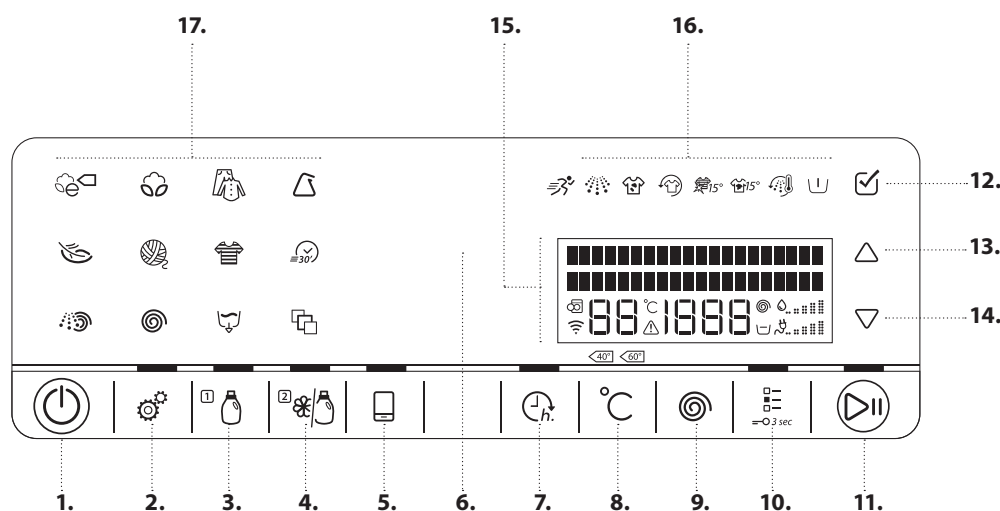
PRODUCT DESCRIPTION

APPLIANCE



1. Worktop
2. Detergent dispenser
3. Control panel
4. Door handle
5. Door
6. Water filter/emergency drain hose (if available) - behind plinth -
7. Plinth (removable)
8. Adjustable feet (4)

CONTROL PANEL



1. On/Off button (Reset/Drain if pressed and held down)
2. Settings button
3. Auto dosing / Tank 1
4. Auto dosing / Tank 2
5. Remote control button
6. Sensing indicator
7. Finish in button
8. Temperature button
9. Spin Speed button
10. Options button (Key lock if pressed and held down)
11. Start / Pause button
12. OK key (to confirm)
13. UP key
14. DOWN key
15. Display
16. Option indicators
17. Programme keys

DETERGENT DISPENSER

Handle the dispenser with care. Avoid pulling or pushing hard the dispenser during opening and closing.

AUTOMATIC DOSING:

IMPORTANT: Only use liquid detergent to fill the detergent tanks ("1" and "2"); never use powder detergent.

1. Tank 1

- Liquid generic detergent OR
- Liquid specific detergent (e.g. for colours, wool, sports garments etc.)

IMPORTANT: Never fill Fabric Softener in Tank 1.

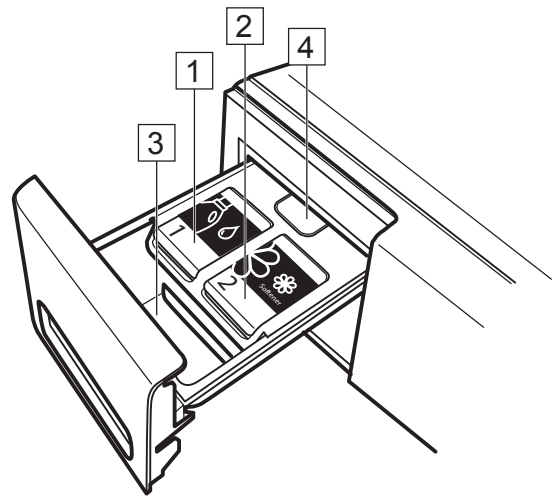
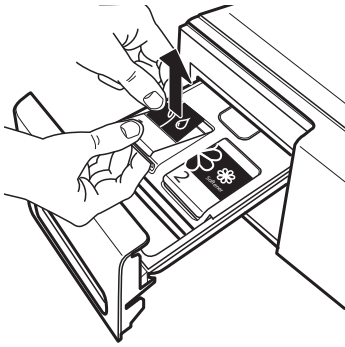
Maximum filling quantity: 600 ml

2. Tank 2

- Fabric softener OR
- Liquid detergent (generic or specific detergent such as colour, wool or sport detergent)

Maximum filling quantity: 400 ml.

Choose your preferred configuration among those mentioned in section AUTO DOSING - FIRST USE in the USE AND CARE GUIDE. The labels on the tank flaps can be turned or exchanged to remind you the chosen configuration.



MANUAL DOSING:

3. Detergent compartment for manual dosing

- Powder or liquid detergent
- Additives

If you use powder detergent, make sure to fill the compartment only up to the "max" mark.



4. Release button

Press down to remove the detergent dispenser for cleaning.

DETERGENT RECOMMENDATIONS FOR VARIOUS TYPES OF LAUNDRY

Type of laundry	Temperature range	Recommended type of detergent
White robust laundry	(cold-95°C)	Heavy duty detergents
White delicate laundry	(cold-40°C)	Mild detergents containing whitener and/or optical brighteners
Light/pastel colours	(cold-60°C)	Detergents containing whitener and/or optical brighteners
Intensive colours	(cold-60°C)	Colour detergents without whitener/optical brighteners
Black/dark colours	(cold-60°C)	Special detergents for black/dark laundry

6TH SENSE LIVE FEATURE

Find detailed information on how to use the 6th Sense Live feature in the 6th Sense Live app or in the Use & Care guide.

Thanks to the 6th Sense Live feature, your appliance can be connected to the Internet.

Using the 6th Sense Live app on your smartphone / tablet, you can:

- monitor the status of the appliance
- get informed on the programme status
- set and start a programme
- change, modify, or reset a running programme
- access additional contents

Technical requirements:

- A wireless router 2.4Ghz WiFi b/g/n connected to the Internet. Please note that the appliance has to be installed in a place well covered by your wireless network (good signal strength).
- For Android users: a smart phone running Android 4.3 (or higher) with a 1280x720 screen resolution (or higher).
- For iOS users: a smart phone or a tablet running iOS 8 (or higher).

To use the 6th Sense Live feature:

- Download the 6th Sense Live app from your App Store and install it on your smartphone / tablet. The app provides the Terms of Use (legal terms), which require your acceptance in order to use the 6th Sense Live feature.
- Register your washing machine using the application and connect it to your home wireless network.

FIRST TIME USE

See the section on DAILY USE for information on how to select and start a programme.

FIRST CYCLE

If you plug in the washing machine, it will switch on automatically. You will be asked to set the desired display language.

Press the UP or DOWN key to select the desired language, afterwards confirm by pressing the OK key. Afterwards adjust the washing machine to your local water hardness (select soft, medium or hard), and determine if you want to use softener or detergent for Tank 2 of the detergent dispenser (auto dosing system).

To remove any residues from the manufacturing process:

- Select the "Cotton" programme at a temperature of 95°C
- Add a small amount of heavy duty detergent to the manual dosing compartment of the detergent dispenser (maximum 1/3 of the quantity recommended by the detergent manufacturer for lightly soiled laundry) and press the Auto dosing buttons - the light of these buttons must be off.
- Start the programme **without adding any laundry**.



AUTO DOSING FUNCTION

The detergent dispenser of the washing machine is equipped with a two tanks system for the automatic dispensing of liquid detergent and softener.

Before using this function, follow the instructions in the USE AND CARE GUIDE/AUTO DOSING – FIRST USE to:

1. Set the correct water hardness level

2. Set tank 2 content. By default, Tank 1 is set for a detergent (your main detergent), and Tank 2 is set for fabric softener. If you do not use fabric softener, set Tank 2 for another detergent.

3. Check/adjust the preset dosing quantities.

By default, the system comes with the following dosing values:

- 80 ml detergent for Tank 1
- 30 ml softener for Tank 2

You need to adjust these preset dosing values to the dosing values reported on the detergent and softener package that you intend to use.

After the Auto Dosing function is set for use, fill the tanks with the appropriate content and install the labels on the tanks accordingly, as explained in the USE AND CARE GUIDE / AUTO DOSING – FIRST USE.

DAILY USE

See Use and Care Guide for more details on functions / see last page for information on how to obtain the Use and Care Guide

1. LOAD LAUNDRY

- Prepare your laundry according to the recommendations in section "HINTS AND TIPS".
- Make sure that fasteners are closed and ribbons tied together.
- Open the door and load the laundry. Observe the maximum load sizes given in the programme chart



2. CLOSE DOOR

- Make sure that no laundry gets stuck between door glass and rubber seal.
- Close the door so that you can hear it click shut.



3. OPEN THE WATER TAP

- Make sure that the washing machine is connected to the mains.
- Open the water tap



4. SWITCH ON WASHING MACHINE

- Press the On/Off button. An animation appears, and there is a sound. The programme which was used last lights up. Afterwards the washing machine is ready to be operated.



5. SET THE DESIRED PROGRAMME

• Select programme:

Press the programme symbol on the control panel. Programme name, default duration, temperature and spin speed as well as maximum laundry load appear on the display.

• Change temperature, if needed

Press the temperature button; the display indicates that the temperature can be set.

- Press the temperature button repeatedly OR
- press the UP or DOWN key until the needed temperature appears on the display.



• Change spin speed, if needed

Press the Spin button; the display indicates that the spin speed can be set.

- Press the Spin button repeatedly OR
- press the UP or DOWN key until the needed spin speed, or Rinse hold, appears on the display.



• Select options, if needed

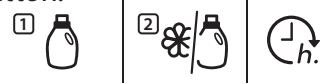
Press the options button. The options which are selectable for the programme appear on the display.



Press the UP or DOWN key to navigate through the list of options. Press the OK key to select an option; the option symbol lights up on the control panel. To deselect a selected option, press the OK key again.

Some options / functions can be selected by directly

pressing the button:



If such an option is not selectable for the programme, it switches off automatically when the button is pressed.

Refer to section OPTIONS, FUNCTIONS AND INDICATORS for more information.

6. ADD DETERGENT

- If you want to add the detergent **manually**, carefully pull out the detergent dispenser and add detergent (and additives) now, as indicated in section DETERGENT DISPENSER. **Do not pull hard when opening the dispenser.** Observe the dosing recommendations on the detergent pack. If you have selected PREWASH or FINISH IN, observe the instructions in section PROGRAMMES AND OPTIONS, and FUNCTIONS. Afterwards carefully close the detergent dispenser.
- If you want the washing machine to dose the detergent **automatically**, simply make sure the Auto Dosing function is activated (refer to section OPTIONS, FUNCTIONS AND INDICATORS / Auto dosing). The detergent is added by the auto dosing system after programme start.



7. START PROGRAMME

- Press and hold "Start/Pause" until the button lights up solidly; the programme starts.
- If you have selected Auto dosing, the display indicates dispensing of the detergent after programme start. Observe the instructions in section OPTIONS, FUNCTIONS AND INDICATORS / Auto dosing function.



8. CHANGE A RUNNING PROGRAMME, IF NEEDED

You can still change the settings while a programme is running. The changes will be applied, provided the respective programme phase has not finished yet.

- Press the relevant button (for example the "Spin speed" button to change the spin speed). The display indicates that the value can be set.
- Press the UP or DOWN key to adjust the value. For options selectable with the options button: press UP or DOWN key to select an option; afterwards press the OK key to confirm or deselect the option.

The programme will continue automatically.

To change the settings of a running programme, you can also

- Press "Start/Pause" to pause the running programme
- Change your settings
- Press "Start/Pause" again to continue the programme.


9. PAUSE A RUNNING PROGRAMME AND OPEN THE DOOR, IF NEEDED

- Press and hold "Start/Pause" to pause a running programme.
- Provided water level is not too high, or laundry is not too hot, the door indicator lights up. You can open the door, for example to add/remove laundry.




- Close the door again and press “Start/Pause” to proceed with the programme.

10. RESET A RUNNING PROGRAMME, IF NEEDED

- Press and hold the “On/Off” button until the display indicates that the programme is cancelled.  The water drains, the programme ends and the door unlocks.

11. SWITCH OFF THE WASHING MACHINE AFTER PROGRAMME END

- The display indicates that the cycle has ended, and the “Door open” indicator lights up – you can take out your laundry 
- Press “On/Off” to switch off the washing machine. If you do not switch it off, the washing machine will switch off automatically after about a quarter of an hour after programme end, to save energy.
- Leave the door ajar, so that the inside of the washing machine can dry.

SETTINGS



The following settings can be changed / selected: Display language / key tones / cycle end alert/ display contrast / water hardness / 6thSense Live feature / eco mode (automatic switch-off function after programme end) / auto dosing on or off (permanently enable or disable automatic detergent dosing) / calibration (adapt dosing amount of the Tanks to the recommendations of your detergent or softener) / Tank 2 content (= set Tank 2 to detergent or softener) / return to factory settings.

- Press the Settings button.
- Select the setting which you want to change by pressing the UP or DOWN key. Afterwards press the OK key.
- Press the UP or DOWN key to set the desired value or choose from the menu, afterwards confirm by pressing the OK key.
- To exit the Settings mode, either press UP or DOWN key until the display indicates that you can exit – then confirm by pressing the OK key. Or wait for a few seconds until the Settings mode will be ended automatically.

HINTS AND TIPS

SORT YOUR LAUNDRY ACCORDING TO






- Type of fabric / care label (cotton, mixed fibres, synthetics, wool, handwash items)
- Colour (separate coloured and white items, wash new coloured articles separately)
- Size (wash items of different sizes in the same wash load to improve washing efficiency and distribution in the drum)
- Delicates (wash small items – like nylon stockings – and items with hooks – like bras – in a cloth bag or pillow case with zip).

EMPTY ALL POCKETS

- Objects like coins or safety pins can damage your laundry as well as the drum.

WASH CARE LABELS


The temperature in the washtub symbol indicates the maximum possible temperature for washing the item.

-  Normal mechanical action
-  Reduced mechanical action
-  Much reduced mechanical action
-  Hand wash only
-  Do not wash

CLEAN THE WATER FILTER REGULARLY

- Helps to avoid that it can get clogged and that the drain water cannot be pumped out anymore. Refer to section CARE AND MAINTENANCE / "Cleaning the water filter" in the Use and Care guide.

SAVINGS AND ENVIRONMENT

- Achieve the best use of energy, water, detergent and time by using the recommended maximum load size for the programmes, as indicated in the programme chart.
- Do not exceed the detergent dosages indicated in the detergent manufacturer's instructions. Use the Auto dosing function.
- Save energy by using a 60 °C instead of a 95 °C wash programme or a 40 °C instead of a 60 °C wash programme. For cottons, the Eco Cotton  programme at 40 °C or 60 °C is recommended.
- Save energy and time by selecting a high spin speed to reduce the water content in the laundry before using a tumble dryer.
- Use the Remote Control mode to programme and start the washing machine while the energy costs are lower.

PROGRAMME CHART

Programme	Care labels	Temperature °C	Max load (Kg)	Selectable using the Options button								Selectable directly		Spin		Detergent and additives	
				Prewash	Hot Finish	Bio Stain 15	Fresh Care	Colours 15°	Heavy Soil	Intensive Rinse	Rapid	Auto dosing	Finish in	Max. spin speed (rpm)	Rinse hold	Detergent	Softener
ECO COTTON		Cold/60°C	max	—	—	—	✓	✓	—	✓	✓	✓	✓	max	✓	●	○
COTTON		Cold/95°C	max	✓	✓	✓	✓	✓	✓	✓	✓	✓	✓	max	✓	●	○
MIXED		Cold/60°C	7.0	—	✓	✓	✓	✓	—	✓	✓	✓	✓	max	✓	●	○
SYNTHETICS		Cold/60°C	4.0	✓	—	✓	✓	✓	✓	✓	✓	✓	✓	max	✓	●	○
DELICATES		Cold/40°C	3.0	✓	—	—	✓	✓	—	—	✓	✓	✓	1000	✓	●	○
WOOL		Cold/40°C	2.0	—	—	—	✓	✓	—	—	✓	✓	✓	1000	✓	●	○
COLOURS		Cold/60°C	7.0	✓	—	✓	✓	✓	✓	—	✓	✓	✓	1000	✓	●	○
RAPID 30'		Cold/30°C	3.0	—	—	—	✓	✓	—	—	—	✓	✓	max	✓	●	○
RINSE & SPIN		—	max	—	—	—	✓	—	—	✓	—	✓	✓	max	✓	—	○
SPIN		—	max	—	—	—	✓	—	—	—	—	—	✓	max	—	—	—
DRAIN		—	max	—	—	—	✓	—	—	—	—	—	✓	—	—	—	—
SHIRTS		Cold/40°C	3.0	✓	—	—	✓	✓	—	—	✓	✓	✓	1000	✓	●	○
DUVET		Cold/60°C	3.5	✓	✓	✓	✓	✓	—	✓	✓	✓	✓	1000	✓	●	○
BED LINEN		Cold/95°C	3.5	✓	✓	✓	✓	✓	—	✓	✓	✓	✓	max	✓	●	○
CASHMERE		Cold/40°C	2.0	—	—	—	✓	✓	—	—	✓	✓	✓	400	✓	●	○
SPORT		Cold/40°C	4.0	✓	—	✓	✓	✓	—	✓	✓	✓	✓	max	✓	●	—
JEANS		Cold/60°C	6.0	✓	✓	✓	✓	✓	✓	✓	✓	✓	✓	1000	✓	●	○
BABY ITEMS		Cold/60°C	6.0	✓	✓	✓	✓	✓	✓	✓	✓	✓	✓	1000	✓	●	○
MINI LOAD		Cold/40°C	1.0	—	—	—	✓	✓	—	✓	✓	✓	✓	max	✓	●	○

✓ Selectable/optional

— Not selectable/applicable

● Needed

○ Optional

PROGRAMMES

Observe the recommendations on the care labels of your laundry.

ECO COTTON

Normally soiled cotton laundry. At 40°C and 60°C standard cotton programme and most favourable programme in terms of combined water and energy consumption for washing cotton laundry.

The values on the Energy label are based on this programme



COTTON

Normally to heavily soiled and robust cotton and linen laundry, such as towels, underwear, table linen etc.



MIXED

Lightly to normally soiled robust laundry made of cotton, linen, artificial fibres and their blends. 1-hour programme.



SYNTHETICS

Normally soiled laundry made of artificial fibres (like polyester, polyacryle, viscose etc.) or their blends with cotton.



DELICATES

Fine laundry made of delicate fabrics, which needs gentle treatment.



WOOL

Woolens, labeled with the Woolmark and identified as machine washable, as well as textiles made of silk, linen, wool and viscose marked as handwashable.



RAPID 30'

Lightly soiled laundry made of cotton, synthetics and their blends. Refresh programme for laundry without stains.



COLOURS

Lightly to normally soiled laundry made of cotton, synthetics or their blends; also delicates. Helps preserving colours.



RINSE AND SPIN

Separate rinse and intensive spin programme. For robust laundry.



SPIN

Separate intensive spin programme. For robust laundry.



DRAIN

Separate programme to drain the water, without spinning.



SPECIAL PROGRAMMES

To set one of the following programmes, select the special programmes position. Press the DOWN and UP keys to select one of the programmes mentioned below. The selected programme is marked with ">".

Press the OK key to confirm the selected programme.



SHIRTS

Shirts, blouses and fine business clothes made of cotton, synthetics or their blends.

DUVET

Big items such as sleeping bags, washable blankets, bathmats, pillows and duvets filled with feathers or synthetic material.

BED LINEN

White or coloured bed linen made of cotton and synthetic fibers, or blends of both.

CASHMERE

High-quality cashmere garments identified as machine washable or hand washable.

SPORT

Normally soiled and sweaty sportswear made of cotton jersey or microfibers. Includes a prewash cycle – you can add detergent also to the prewash chamber. Do not use softener.

JEANS

Normally soiled cotton jeans-wear and garments made of robust jeans-like material, such as trousers and jackets.

BABY ITEMS

Normally soiled baby clothes made of cotton and/or linen.

The suds are rinsed out even more thoroughly, which helps to protect sensitive baby skin.

MINI LOAD

Cotton and/or synthetic laundry made of stable fabric types.

Ideal programme for washing a small laundry load in an economic way.

CONSUMPTION DATA

This data may differ in your home due to changing conditions in inlet water temperature, water pressure etc.

PROGRAMME	TEMPERATURE (°C)	LOAD (KG)	WATER (L)	ENERGY (KWH)	APPROXIMATE PROGRAMME DURATION (H:MIN)		APPROXIMATE REMAINING MOISTURE CONTENT (%)
					WITHOUT RAPID	WITH RAPID	
Mixed	40	7.0	67	0.50	01:00	00:55	55
Cotton	95	12.0 (max)	126	3.50	03:15	--	55
Cotton	60	12.0 (max)	120	2.00	02:35	01:55	55
Cotton	40	12.0 (max)	94	1.70	03:30	02:10	55
Synthetics	60	4.0	58	1.20	02:20	01:20	35
Synthetics	40	4.0	55	0.80	02:20	01:20	35
ECO COTTON ◁	60	12.0 (max)	63	0.51	06:00	04:00	53
ECO COTTON ◁	60	6.0	43	0.46	04:00	*	53
ECO COTTON ◁	40	6.0	43	0.43	04:00	*	53

Values measured in normal conditions in accordance with IEC/EN 60456. Water, energy and remaining moisture content values refer to the default setting of the programmes, without options.

max = maximum load capacity of the washing machine

Acoustic values on declaration label refer to appliance after complete installation, with adhesive pads fixed on bottom of washing machine according to separate instructions.

* Duration indicated after load sensing

Eco Cotton is the standard programme for washing normally soiled cottons, and it is the most efficient programme in terms of combined water and energy consumption. For reasons of energy saving, the real water temperature may deviate from the specified cycle temperature.

Power consumption in off-mode is 0.25 W/in left-on mode 0.25 W.

OPTIONS, FUNCTIONS AND INDICATORS

Refer to the Programme Chart to check if options are available for the selected programme

OPTIONS which are selectable by pressing the Options button



Prewash

Helps to clean heavily soiled laundry by adding a prewash phase to the wash programme selected. Extends the programme by about 20 minutes.



For adding detergent to the prewash phase

- **automatically:** make sure that the auto dosing system is activated (see FUNCTIONS / Auto Dosing)
- **manually:** add the detergent portion for the prewash phase directly to the drum in a detergent ball, before starting the programme.

Hot Finish

The programme ends with a warm rinse phase. This relaxes the fibres of your laundry, and the laundry feels comfortably warm when taking it out a short time after programme end.



Bio Stains 15°

Helps to remove all kinds of stains, except grease/oil.



The programme begins with a cold water wash phase. Extends the programme by about 10 minutes.

Pre-treatment recommended for stubborn stains. Not selectable for Cotton 95°C.

Colours 15°

Helps to preserve the colours of your laundry by washing it with cold water (15°C). Saves energy for water heating, while keeping a good wash result.



Suitable for lightly soiled coloured laundry without stains.

- Make sure that your detergent is suitable for cold wash temperatures (15 or 20°C).
- Not selectable for Cotton 95°.

Fresh Care

Helps to keep your laundry fresh if you cannot unload it soon after programme end.



The washing machine will start to tumble the laundry periodically a short time after programme end. This tumbling will last up to approximately 6 hours after end of your wash programme. You can stop it at any time by pressing any button; the door unlocks and you can take out your laundry.

Heavy Soil

Helps to clean heavily soiled, stained laundry by optimising the efficiency of additives for stain removal.



Add an appropriate amount of in-wash additive for stain removal (powder) to the manual detergent dosing compartment, together with your detergent (powder only). May extend the programme by up to 15 minutes. Appropriate for use with oxygen-based stain removers

and bleaching agents.

Chlorine or perborate bleaches must not be used!

Intensive Rinse

Helps to avoid detergent residues in the laundry by extending the rinse phase.

Particularly suitable for washing baby laundry, for people suffering from allergies and for areas with soft water.



Rapid

Enables quicker washing.

Recommendable for only lightly soiled laundry.

Not selectable for Cotton 95°C.

FUNCTIONS

Auto Dosing

Automatically dispenses **liquid detergents** and **fabric softener** (if needed) from the tanks of the detergent dispenser. To enable a correct dosage, this function needs to be set up as mentioned in section FIRST TIME USE/ Auto Dosing, and as described in detail in the USE AND CARE GUIDE/AUTO DOSING – FIRST USE.



Once you have completed the set-up, make sure that the tanks are filled with detergent/fabric softener according to the selected configuration:

• If you **use** fabric softener:

- » Tank 1: detergent
- » Tank 2: fabric softener

In this configuration, when setting up a programme, Tank 1 and Tank 2 buttons light up to indicate that the right amount of detergent and softener will be dispensed, once the programme is started. If in certain cases you do not want to dispense softener, simply disable Tank 2 by pressing the corresponding button.

• If you **do not use** fabric softener:

- » Tank 1: main detergent
- » Tank 2: secondary detergent

In this configuration, when setting up a programme, you can only select one tank. Make sure that the correct tank is selected, according to the detergent you want to use for the selected programme. The detergent will be dispensed only from the tank for which the related button lights up.

If occasionally you prefer to dose the detergent manually (for instance because you want to use another detergent), simply deactivate the tanks by pressing the buttons, and add the detergent in the compartment for manual dosing. The deactivation of the tanks will be valid only for one programme. The Auto Dosing function will automatically be active again for the next programme which you set up.

When the supply of detergent/fabric softener in one of the tanks runs low, the display shows a low level warning when the washing machine is switched on, and also at the end of the programme. In addition, the corresponding tank button light blinks a few times.

When this message appears for the first time, the supply in the indicated tank is usually sufficient for about two or three more programmes.

When the supply of detergent/fabric softener in one of the tanks has run out completely, the display shows an empty tank warning and informs that only manual dosing is possible. The button light of the empty tank

blinks a few times. You have to either refill the empty tank(s), or dose the detergent manually.

In case you want to permanently deactivate the Auto Dosing function (because you always prefer to dose manually), press the Settings button, select Auto Dosing and set the function to Off. To be able to use the function again later, it must be set to On.

IMPORTANT:

- Never fill the tanks with powder detergents; powder can only be used for manual dosing
- Softener cannot be dosed manually; it can only be used in Tank 2 of the auto dosing system.

6th Sense Live Remote Control

The 6th Sense Live feature allows to remotely monitor and control your washing machine using a smartphone or a tablet. To use this feature you have to successfully connect the machine to your home wireless network and to the Internet by following the set-up procedure described in the Use and Care Guide (6th Sense Live Feature / Setup Procedure section).



You can monitor the status of your washing machine at any time using the 6th Sense Live app. If you want to control the appliance remotely (for example: to set and start a programme), the Remote Control has to be enabled.

To enable Remote Control:

- Make sure the router is on and connected to the Internet.
- Switch on the washing machine.
- Load your laundry, close the door, add the detergent and make sure the water tap is open.
- Make sure the Connection Status indicator is solidly lit.
- Press the Remote Control button, the door locks and the buttons and keys on the control panel are disabled. The only controls still active are "Remote Control", "ON/OFF" and "Key Lock".
- The washing machine is now in Remote Control mode and is ready to be controlled via 6th Sense Live app.
- If you start a programme remotely, at the end of the programme the washing machine will automatically exit the Remote Control mode and will switch off.



To manually exit Remote Control:

- With the machine in Remote Control, press again the Remote Control button. You will regain local control over the control panel of the washing machine.

Rinse hold (selectable with Spin button)

Avoids automatic spinning of the laundry at the end of the programme. The laundry remains in the last rinse water, the display indicates the rinse hold and the programme does not continue.



Suitable for delicate laundry which is not appropriate for spinning, or which should be spun with a low spin speed. Not suitable for silk.

To select "Rinse hold":

- Press the spin button; select Rinse hold. The Rinse hold symbol on the display lights up.

The display indicates when the programme has reached the Rinse hold. Choose to:

- **drain the water, no spin:** press the Spin button, or the UP or DOWN key, to select spin speed "0". Or select programme Drain. Afterwards press Start/Pause: the water will be drained and the programme ended.
- **spin the laundry:** the default spin speed blinks - start the spin



cycle by pressing Start/Pause. Or select a different spin speed by pressing the Spin button and the UP or DOWN key, and press Start/Pause.

Finish in

Enables to have the laundry ready at a particular time by setting a delay until end of the programme.



Choose a delay up to 23:30 hours. Only if you add detergent manually: use powder - and not liquid - detergent with this function to fill the detergent compartment for manual dosing.

Select programme, temperature and options.

- Press the "Finish in" button – the button lights up.
- Press UP or DOWN key to select a delay up to 23:30 hours.
- Press "Start / Pause" - the countdown of the delay starts. The display indicates the Finish in period (= time until end of programme), as well as the default programme duration.
- The programme starts automatically, in time to be finished at the end of the delay period. On programme start, the delay on the display is replaced by the current programme status.

To cancel the delay

- either press Start/Pause to cancel the delay; to start the selected programme immediately, press Start/Pause again
- or press and hold On/Off to cancel the complete programme setting.

Key lock

To lock the buttons and keys of the control panel against unwanted operation.

To lock:

- The washing machine must be switched on.
- Press and hold the option button until the display indicates that the keys are locked. The buttons and keys are locked now; only On/Off works.



If you switch the washing machine off and on again, the key lock remains active until you unlock it.

To unlock: press and hold the option button again for at least 3 seconds, until the display indicates that the keys are unlocked.

INDICATORS

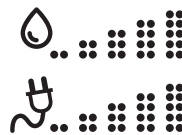
Door can be opened



Energy / Water monitor

Gives feedback about the energy and water consumption of your programme setting.

The less indicators light up, the more economic is your programme setting. Can still adapt after sensing phase of laundry load.



Failure: Observe the display message.

For any failures, refer to section Troubleshooting in the "Use and Care Guide".



Descaling

A display message will remind you regularly to descale the washing machine. Find descaler appropriate for the washing machine on www.whirlpool.eu.

To cancel the display reminder, press the OK key.

Connection status


If your washing machine has been already connected to the Internet (see 6thSense Live Remote Control / Setup Procedure section in the Use and Care Guide) this indicator provides a feedback about the status of the Internet connection through your WiFi router.

When you switch on the washing machine, the connection status indicator blinks: the washing machine is looking for a connection. When it becomes solidly lit, it means that the appliance is properly connected to the Internet.

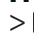
The strength of the wireless signal is shown by the indicator (when all the elements of the indicator are lit, the signal strength is strong).



PRODUCT FICHE

 [www](http://www.whirlpool.eu) The product fiche with energy data of this appliance can be downloaded from Whirlpool Website <http://docs.whirlpool.eu>

HOW TO OBTAIN THE USE AND CARE GUIDE

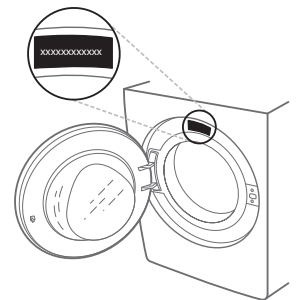
>  [www](http://www.whirlpool.eu) Download the Use and Care Guide from our website <http://docs.whirlpool.eu> (you can use this QR code), specifying the product's commercial code.

> Alternatively, contact our Client After-sales Service



CONTACTING OUR AFTER-SALES SERVICE

You can find our contact details in the warranty manual. When contacting our Client After-sales Service, please state the codes provided on your product's identification plate.



400010871399

Printed in Italy