

Nikon with **WARRANTY**

NIKKOR

NIKKOR Z 14-24mm f/2.8 S

- En** User's Manual (with Warranty)
- De** Benutzerhandbuch (inkl. Garantiebeleg)
- Fr** Manuel d'utilisation (avec garantie)
- Nl** Gebruikshandleiding (met garantie)

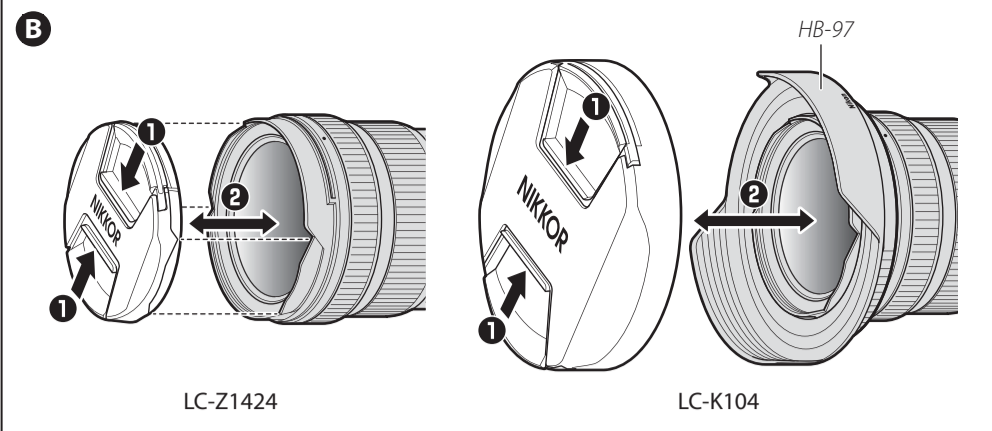
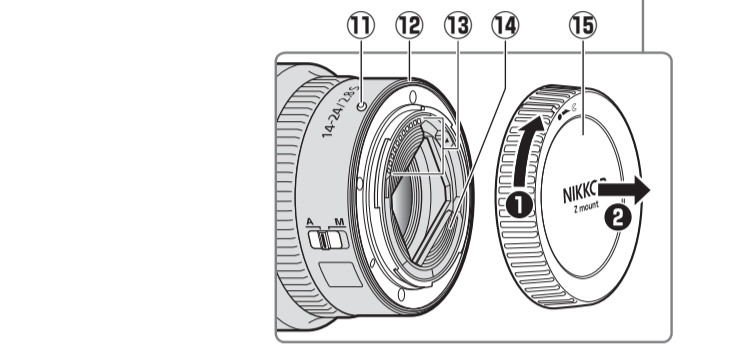
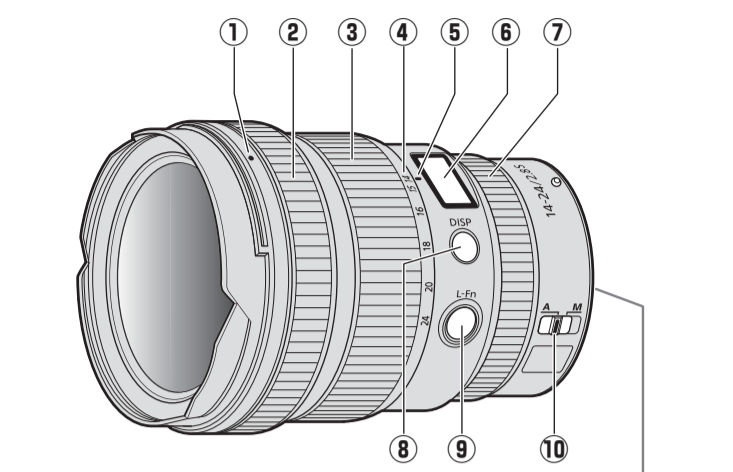
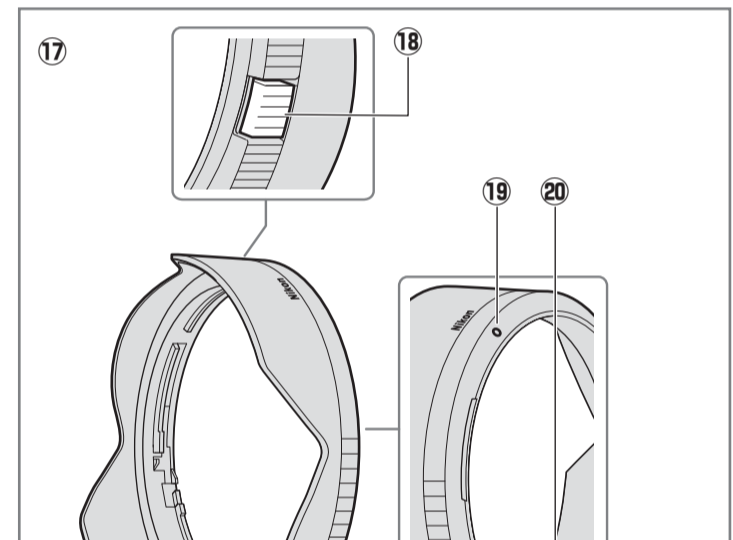
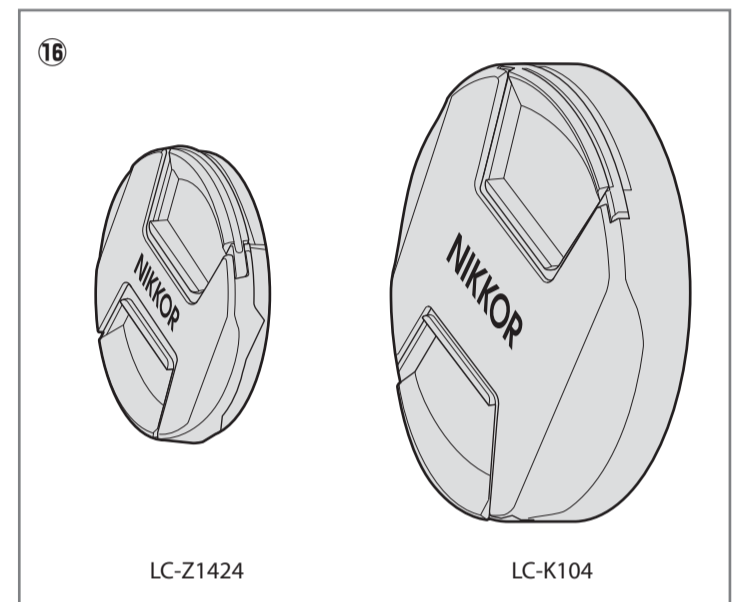


Figure 2/Abbildung 2



NIKKON CORPORATION

Printed in Thailand
7MM4A145-01



Nikon Worldwide Service Warranty Card

Model name/Produkt- /Modèle du modèle/Waardenaam
NIKKOR Z 14-24mm f/2.8 S

Serial No./Seriennummer/ /Número de serie/Serien.

Purchase date/Kaufdatum/ /Date d'achat/Waardenaam

Name and address of customer/Name und Adresse des Käufers/Nom et adresse du client/ /Name und Adresse des Verkäufers

Distributors/Vertrieb/Verkoop/Verkoop/Vertrieb

Nikon Europe B.V.
Trippolis 100, Burgerweeshuispad 101, 1076 ER Amsterdam, The Netherlands

Manufacturer/Hersteller/Fabrikant/Fabrikant

NIKKON CORPORATION
Shinagawa Intercity Tower C, 2-15-3 Konan, Minato-ku, Tokyo 108-6290 Japan

Warranty Terms - Nikon Worldwide Service Warranty

En Nikon Worldwide Service Warranty
Your Nikon equipment is guaranteed against any manufacturing defects for one full year from the date of purchase. During this period, repair or adjustments will be made free of charge only upon presentation of the Nikon Worldwide Service Warranty Card together with the sales slip or other evidence of purchase to any authorized Nikon service facility. Establishing the original purchase date should be made by the original consumer purchaser via the sales slip or other evidence. The warranty is not transferable nor will it be renewed. The warranty does not cover damage caused by accident, misuse or unauthorized repair damage caused by dropping, improper care or storage, or damage resulting from sand or water. It is only valid at authorized Nikon service facilities.

De Garantie mondiale des réparations Nikon
Votre matériel Nikon est garanti contre tout vice de fabrication pour une année entière à partir de la date de son achat. Pendant cette période, les réparations ou les réglages seront effectués gratuitement sur simple présentation de la carte de garantie mondiale des réparations Nikon et de la facture, du ticket de caisse ou de toute autre preuve d'achat à l'un des centres de réparation Nikon agréés. Établissement de la date d'achat originale doit être fait par l'acheteur initial au moyen d'un reçu ou de toute autre pièce probante. Cette garantie ne sera pas renouvelée et elle ne sera dérivée aucun droit. La garantie n'est valable qu'aux installations agréées de service Nikon. Elle est uniquement valable dans les centres de réparation Nikon agréés.

Nl Garantie mondiale des réparations Nikon
Uw apparaat wordt gegarandeerd tegen alle fabrieksfouten gedurende één jaar vanaf de datum van aankoop. Tijdens deze periode worden reparaties en aanpassingen gratis uitgevoerd, maar alleen bij een geautoriseerd Nikon servicecentrum op vertoon van de Nikon wereldwijde servicegarantiekarte, samen met de aankoopbewijs of een ander bewijs. Het aantonen van de originele aankoopdatum moet door de originele koper worden gedaan via de aankoopbewijs of ander bewijs. De garantie is niet overdraagbaar en mag niet opnieuw worden verlengd. De garantie dekt niet de schade veroorzaakt door een ongeval, ongebruikt gebruik of ongoedekeurige reparatie, schade veroorzaakt door vallen, onjuist opbergen of schade als gevolg van zand of water. De garantie is alleen geldig bij geautoriseerde Nikon servicecentra.

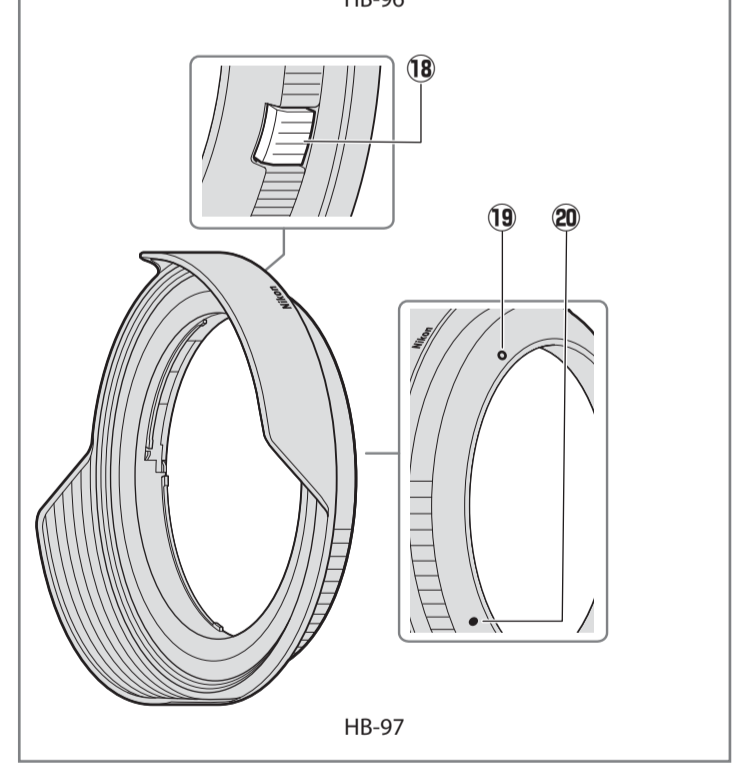


Figure 1/Abbildung 1

En User's Manual

Before using this product, please read these instructions carefully. You will also need to consult the camera manual.
• This lens is intended exclusively for use with mirrorless cameras featuring a Nikon Z mount.
• Update the camera firmware to the latest version. With earlier versions, the camera may fail to detect the lens correctly and some features may not be available. The latest version of the camera firmware can be downloaded from the Nikon Download Center at the URL below.
<https://downloadcenter.nikonimglib.com/>

For Your Safety

- To prevent damage to property or injury to yourself or to others, read "For Your Safety" in its entirety before using this product.
- WARNING:** Failure to observe the precautions marked with this icon could result in death or severe injury.
- CAUTION:** Failure to observe the precautions marked with this icon could result in injury or property damage.

- Do not disassemble or modify this product.**
Do not touch internal parts that become exposed as the result of a fall or other accident.
- Failure to observe these precautions could result in electric shock or other injury.
- You should not notice any abnormalities such as the product producing smoke, heat, or unusual odors, immediately disconnect the camera power source.**
Continued operation could result in fire, burns or other injury.
- Keep dry.**
Do not handle with wet hands.
Failure to observe these precautions could result in fire or electric shock.
- Do not use this product in the presence of flammable dust or gas such as propane, gasoline or aerosols.**
Failure to observe this precaution could result in explosion or fire.
- Do not directly view the sun or other bright light source through the lens.**
Failure to observe this precaution could result in visual impairment.
- Keep this product out of reach of children.**
Failure to observe this precaution could result in injury or product malfunction. In addition, note that small parts constitute a choking hazard. Should a child swallow any part of this product, seek immediate medical attention.
- Do not handle with bare hands in locations exposed to extremely high or low temperatures.**
Failure to observe this precaution could result in burns or frostbite.

- CAUTION**
Do not leave the lens pointed at the sun or other strong light sources.
Light focused by the lens could cause fire or damage to product's internal parts. When shooting backlit subjects, keep the sun well out of the frame. Sunlight focused into the camera when the sun is close to the frame could cause fire.
- Do not leave the product where it will be exposed to extremely high temperatures, for an extended period such as in an enclosed automobile or in direct sunlight.**
Failure to observe this precaution could result in fire or product malfunction.
- Do not transport cameras or lenses with tripods or similar accessories attached.**
Failure to observe this precaution could result in injury or product malfunction.

Notices for Customers in Europe

This symbol indicates that electrical and electronic equipment is to be collected separately.

The following apply only to users in European countries:
• This product is designated for separate collection at an appropriate collection point. Do not dispose of as household waste.
• Separate collection and recycling helps conserve natural resources and prevent negative consequences for human health and the environment that might result from incorrect disposal.
• For more information, contact the retailer or the local authorities in charge of waste management.

Using the Lens

Parts of the Lens: Names and Functions (Figure 1)

1	Lens hood mounting mark	Use when attaching the lens hood.	See E
2	Focus ring	Use for manual focusing. • When focusing using autofocus, you can adjust focus manually by rotating the ring while the shutter-release button is pressed halfway; after focusing, press the shutter-release button the rest of the way down to shoot.	
3	Zoom ring	Rotate to zoom in or out.	
4	Focal length scale	Determine the approximate focal length when zooming the lens in or out.	
5	Focal length mark	—	
6	Lens info panel	View focus distance, depth of field, and other information.	See C, D
7	Control ring	Rotate to adjust a setting such as [Aperture] or [Exposure compensation] assigned using the camera. For more information, see the description of [Custom control assignment], [Custom control], or [Custom controls (shooting)] in the camera manual.	
8	Display button	Save settings or choose the information shown in the lens info panel.	See C, D
9	Lfn button	Press to perform a function assigned using the camera. For more information, see the description of [Custom control assignment], [Custom controls], or [Custom controls (shooting)] in the camera manual. • A : Autofocus • M : Manual focus • Note that regardless of the setting chosen, focus must be adjusted manually when manual focus mode is selected using camera controls.	
10	Focus-mode switch	Choose a focus mode. • A : Autofocus • M : Manual focus • Note that regardless of the setting chosen, focus must be adjusted manually when manual focus mode is selected using camera controls.	
11	Lens mounting mark	Use when mounting the lens on the camera.	See A
12	Rubber lens-mount gasket	—	—
13	CPU contacts	Used to transfer data to and from the camera.	—
14	Filter slot	For use with trimmable third-party filter sheets.	See F
15	Lens cap (rear cap)	Use to protect the rear lens element.	—
16	Lens cap (front caps)	Use to protect the front lens element. • The LC-K104 is for use with the HB-97 lens hood.	See B

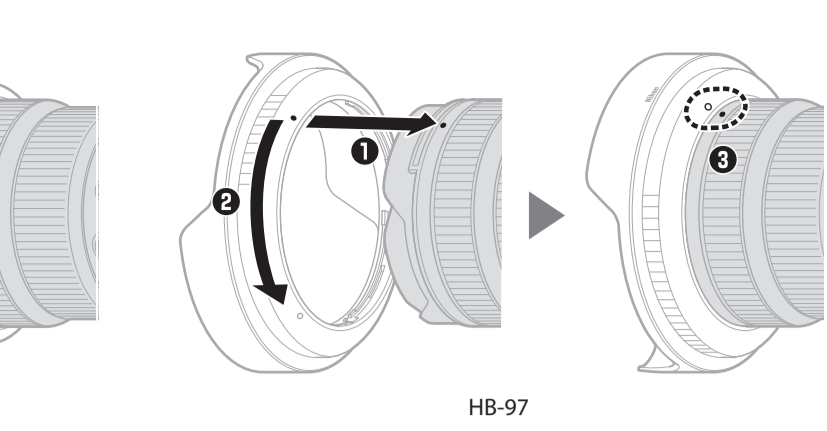


Figure 3/Abbildung 3

17	HB-96/HB-97 lens hood	Lens hood blocks stray light that would otherwise cause flare or ghosting. They also serve to protect the lens. • The HB-97 is for use with Nikon screw-on filters.	See E
18	Lens hood lock release button	Use when removing the lens hood.	
19	Lens hood lock mark	—	
20	Lens hood alignment mark	Use when attaching the lens hood.	

Attachment and Removal

- Attaching the Lens**
- Turn the camera off, remove the body cap, and detach the rear lens cap.
 - Position the lens on the camera body, keeping the mounting mark on the lens aligned with the mounting mark on the camera body, and then rotate the lens counterclockwise until it clicks into place.

- Removing the Lens**
- Turn the camera off.
 - Press and hold the lens release button while turning the lens clockwise.

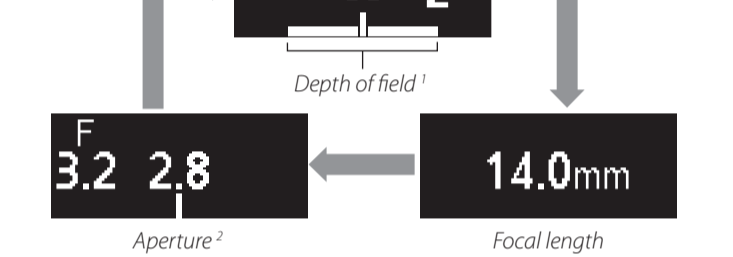
Attaching and Removing the Front Lens Cap (Figure 2)

Attaching the Front Lens Cap
Keeping the latches squeezed together (1) and the top of the cap aligned with the lens hood mounting mark, attach the caps in the orientations shown (2).

Removing the Front Lens Cap
Keeping the latches squeezed together (1), remove the lens caps as shown (2).

Keeping the Lens Info Panel

The lens info panel lights when the lens is attached to a camera and the camera is on.
• Press the lens display button to cycle the display as shown:



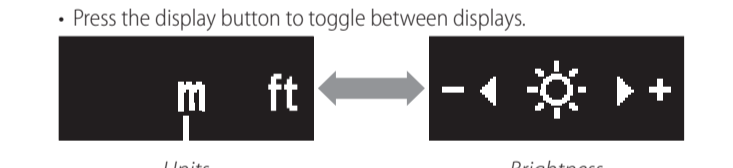
- Depth of field is displayed when the camera is in mode A or M.
- Aperture is displayed only when the camera is in mode A or M. The display for other modes is shown in the illustration.

• The focus mode (**AF** or **MF**) is briefly displayed when chosen using the focus-mode switch.
• The panel turns off automatically when the camera standby time expires or if no lens operations are performed for about 10 seconds. Press the display button to reactivate the display.

The Lens Info Panel

Follow the steps below to choose the units for focus distance from meters (m) or feet (ft) or adjust the brightness of the lens info panel.

- Press and hold the display button to view settings. The unit or brightness selection options will be displayed. The currently selected item will flash.
- Press the display button to toggle between displays.



Panel Options

- Press and hold the display button to view settings. The unit or brightness selection options will be displayed. The currently selected item will flash.
• Press the display button to toggle between displays.
- Choose a setting using the lens control ring.
Units
• Rotate the control ring to choose from meters (m) or feet (ft).
Brightness
• Rotate the control ring in the "+" (brighter) or "-" (darker) direction.
• Choose from 6 levels of brightness.
• To turn the lens info panel off, rotate the ring in the "-" direction until the icon changes to .

Attaching and Removing the Lens Hood

- Attaching the Lens Hood (Figure 3)**
- Align the lens hood mounting mark (1) with the lens hood alignment mark (1) and (2) rotate the lens hood in the direction shown until (1) the mounting mark (1) is aligned with the lens hood lock mark (2).
 - Gripping the front too tightly makes the lens hood difficult to attach or remove. When rotating the lens hood, hold it near the lens hood alignment mark (1) on its base.
• The lens hood can be reversed and mounted on the lens when not in use. Before reversing the HB-97, be sure to remove any Nikon screw-on filters that may be attached.

- Removing the Lens Hood (Figure 4)**
- Keeping the lens hood lock release button pressed (1), rotate the lens hood in the direction shown (2), and remove it from the lens (3).
 - The same procedure can be used when the lens hood is reversed.

Using Filters

Filters can be attached to the lens at the front and rear. Nikon 112 mm screw-on filters can be used at the front of the lens and third-party trimmable filter sheets at the rear. These can be attached as follows:

Nikon Screw-on Filters

Nikon screw-on filters can be attached to the HB-97 lens hood (Figure 5).
• Use only one Nikon screw-on filter at a time.

Trimmable Filter Sheets

The rear mount opening has a filter slot. Cut third-party trimmable filter sheets to the size shown in Figure 6 and insert them in the filter slot (Figure 7).

When the Lens is Attached

The focus position may change if you turn the camera off and then on again after focusing. If you have focused on a pre-selected location while waiting for your subject to appear, we recommend that you do not turn the camera off until the picture is taken.

Cameras with AF-Assist Illuminators

The lens or lens hood may block the light from the camera AF-assist illuminator.
• For the latest information on using the lens with cameras that have built-in AF-assist illuminators, visit the site below.
<https://downloadcenter.nikonimglib.com/>

Using the Lens on Cameras with a Built-in Flash

Shadows will be visible in photos where light from the built-in flash is obscured by the lens or lens hood. Remove the lens hood before shooting. Note, however, that depending on lens focal length and the distance to the subject, shadows may appear even when the lens hood is removed.
• Shadows will be visible in photos taken when this lens is mounted on a Z 50.
• For the latest information on focal lengths and subject distances at which shadows will not appear in photos taken with a built-in flash, visit the site below.
<https://downloadcenter.nikonimglib.com/>

Precautions for Use

- Do not pick up or hold the lens or camera using only the lens caps or lens hood.
- Keep the CPU contacts clean.
- Should the rubber lens-mount gasket be damaged, cease use immediately and take the lens to a Nikon-authorized service center for repair.
- Replace the lens caps when the lens is not in use.
- Do not leave the lens in humid locations or in locations in which it may be exposed to moisture. Rusting of the internal mechanism can cause irreparable damage.
- Do not leave the lens next to open flames or in other extremely hot locations. Exposure to heat may damage the reinforced plastic exterior.
- Rapid changes in temperature may cause damaging condensation inside and outside the lens. Before taking the lens on a warm to a cold environment or vice versa, place it in a bag or plastic case to slow the change in temperature.
- We recommend that you place the lens in its case to protect it from scratches during transport.

Lens Care

- Removing dust is normally sufficient to clean the glass surfaces of the lens.
- Be aware of the front lens element**, which is not flare-coated.
• Smudges, fingerprints, and other oily stains can be removed using a soft, clean cotton cloth or third-party lens cleaning tissue, wipe from the center outward using a circular motion.
• To remove stubborn stains, gently using a soft cotton cloth lightly dampened with a small amount of distilled water, ethanol, or lens cleaner.
• Any drop-shaped marks left from this process on the water- and oil-repellent surface can subsequently be removed with a dry cloth.
- When cleaning the rear lens element**, which is not flare-coated, remove smudges, fingerprints, and other oily stains using a soft, clean cotton cloth or third-party lens cleaning tissue lightly dampened with a small amount of ethanol or third-party lens cleaner. Wipe gently from the center outward in a circular motion, taking care not to leave smears or touch the lens with your fingers.
- Never use organic solvents such as paint thinner or benzene to clean the lens.
- Nikon Neutral Color (NC) filters and the like can be used to protect the front lens element.
- Do not store with napkins or camphor moth balls or in direct sunlight. If the lens will not be used for an extended period, store it in a cool, dry location to prevent mold and rust.

Accessories

- Supplied Accessories**
- LC-Z1424 Lens Cap (front cap)
 - LC-K104 Lens Cap (front cap)
 - LF-N1 Lens Cap (rear cap)
 - HB-96 Lens Hood
 - HB-97 Lens Hood
 - LC-C2 Lens Case

- Using the Lens Case**
- The case is intended to protect the lens from scratches, not from falls or other physical shocks.
 - The case is not water resistant.
 - The material used in the case may fade, bleed, stretch, shrink, or change color when rubbed or wet.
 - Remove dust with a soft brush.
 - Water and stains can be removed from the surface with a soft, dry cloth. Do not use alcohol, benzene, thinner, or other volatile materials.
 - Do not store in locations exposed to direct sunlight or high temperatures or humidity.
 - Do not use the case to clean the monitor or lens elements.
 - Be careful that the lens does not fall from the case during transport.

Material: Polyester

Compatible Accessories

- Nikon 112 mm screw-on filters (must be attached to the HB-97 lens hood)
- Trimmable filter sheets

Mount	Nikon Z mount
Focal length	14 – 24 mm
Maximum aperture	f/2.8
Lens construction	16 elements in 11 groups (including 4 ED elements, 3 aspherical elements, elements with lens crystal and ARNEO coating, and a fluorite-coated front lens element)
Angle of view	• FX format: 11.4°–84° • DX format: 90°–61°
Focal length scale	Graduated in millimeters (14, 15, 16, 18, 20, 24)
Internal focusing system	Internal focusing system
Minimum focus distance	0.28 m (0.92 ft) from focal plane at all zoom positions
Maximum reproduction ratio	0.13× (24 mm focal length)
Diaphragm blades	9 (rounded diaphragm opening)
Aperture range	f/2.8 – 22
Filter slot	Located at rear of lens
Dimensions	Approx. 88.5 mm/3.5 in. maximum diameter x 124.5 mm/5 in. (distance to end of lens from camera lens mount flange)
Weight	Approx. 650 g (1 lb 7 oz)

Nikon reserves the right to change the appearance, specifications, and performance of this product at any time and without prior notice.

De Benutzerhandbuch

Bitte lesen Sie sorgfältig diese Anleitung, bevor Sie dieses Produkt verwenden. Ziehen Sie außerdem das Kamerahandbuch zu Rate.
• Dieses Objektiv ist ausschließlich für den Gebrauch an Spiegellosen Kameras mit Nikon-Z-Bajonett vorgesehen.
• Stellen Sie sicher, dass auf der Kamera die neueste Firmware-Version installiert ist. Mit älteren Versionen erkennen die Kamera möglicherweise das Objektiv nicht korrekt und manche Funktionen stehen eventuell nicht zur Verfügung. Die neueste Version der Kamera-Firmware kann im Nikon Download-Center unter der folgenden Internetadresse heruntergeladen werden.
<https://downloadcenter.nikonimglib.com/>

Sicherheitshinweise

Lesen Sie die Sicherheitshinweise vor der Inbetriebnahme dieses Produkts vollständig durch, um Sach- oder Personenschäden zu verhindern.
Bewahren Sie diese Hinweise griffbereit für alle Personen auf, die das Produkt benutzen.
WARNING: Das Missachten der Warnhinweise, die so gekennzeichnet sind, könnte zu schweren Verletzungen oder zum Tod führen.
VOISICHT: Das Missachten der Warnhinweise, die so gekennzeichnet sind, könnte zu Sach- oder Personenschäden führen.

Warnung

- Das Produkt nicht auseinandernehmen oder modifizieren.**
Berühren Sie keine Teile aus dem Geräterinnen, die infolge eines Sturzes oder eines anderen Unfalls ereignisses freiliegen.
- Das Missachten dieser Vorsichtsmaßnahmen kann einen Stromschlag oder andere Verletzungen verursachen.
- Sollte das Produkt qualmen, sich überhitzen oder ungewöhnliche Geräusche absondern, trennen Sie sofort die Kamera- Stromversorgung.**
Die fortgesetzte Verwendung kann Brandgefahr, Verbrennungen oder andere Verletzungen zur Folge haben.
- Vor Nässe schützen.**
Nicht mit nassen Händen anfassen.
Das Missachten dieser Vorsichtsmaßnahmen kann einen Brand oder Stromschlag verursachen.
- Verwenden Sie dieses Produkt nicht in der Gegenwart von entflammarem Staub oder Gas (wie z. B. Propanag, Benzin oder Aerosole).**
Das Missachten dieser Vorsichtsmaßnahmen kann eine Explosion oder einen Brand verursachen.
- Blicken Sie nicht durch das Objektiv direkt in die Sonne oder eine andere sehr helle Lichtquelle.**
Das Missachten dieser Vorsichtsmaßnahmen kann bleibende Schäden am Auge verursachen.
- Das Produkt von Kindern fernhalten.**
Das Missachten dieser Vorsichtsmaßnahmen kann zu Verletzungen oder zur Beschädigung des Produkts führen. Beachten Sie außerdem, das kleinste ein Erstickungsrisiko darstellen. Sollte ein Kind ingendfalls mit diesem Produkt verschlucken, konsultieren Sie sofort einen Arzt.
- An Orten mit extrem hohen oder niedrigen Temperaturen nicht mit bloßen Händen handhaben.**
Das Missachten dieser Vorsichtsmaßnahmen kann zu Verbrennungen oder Erfrierungen führen.

- Das Objektiv nicht auf die Sonne oder andere sehr helle Lichtquellen richten.**
Das vom Objektiv gebündelte Licht kann einen Brand verursachen oder die inneren Teile des Produkts beschädigen. Halten Sie die Sonne aus dem Bildfeld, wenn Sie Motive im Gegenlicht fotografieren. Wenn sich die Sonne in unmittelbarer Nähe des Bildausschnitts befindet, können die gebündelten Lichtstrahlen im Kameragehäuse einen Brand auslösen verursachen.
- Bewahren Sie das Produkt nicht längere Zeit an Orten auf, an denen es extrem hohen Temperaturen ausgesetzt ist, wie in einem geschlossenen Auto direkt in der Sonne.**
Das Missachten dieser Vorsichtsmaßnahmen kann einen Brand oder Produktschäden verursachen.
- Tragen Sie Kameras oder Objektive nicht mit montierten Stativen oder ähnlichem Zubehör umher.**
Das Missachten dieser Vorsichtsmaßnahmen kann zu Verletzungen oder zur Beschädigung des Produkts führen.

- Hinweise für Kunden in Europa**
Durch dieses Symbol wird angezeigt, dass elektrische bzw. elektronische Geräte getrennt entsorgt werden müssen.
- Folgendes gilt für Verbraucher in europäischen Ländern:
• Dieses Produkt muss an einer geeigneten Sammelstelle separat entsorgt werden. Eine Entsorgung über den Hausmüll ist unzulässig.
• Durch getrennte Entsorgung und Recycling können natürliche Rohstoffe bewahrt und die durch falsche Entsorgung verursachten, schädlichen Folgen für die menschliche Gesundheit und Umwelt verhindert werden.
• Weitere Informationen erhalten Sie bei Ihrem Fachhändler oder bei den für die Abfallentsorgung zuständigen Behörden bzw. Unternehmen.

Benutzen des Objektivs

Objektiveite: Namen und Funktionen (Abbildung 1)

Die Objektiveite sind links auf diesem Blatt abgebildet.

1	Markierung für das Ansetzen der Gegenlichtblende	Hilft beim Ansetzen der Gegenlichtblende.	See E
2	Fokussierung	Für die manuelle Fokussierung • Wenn Sie mit dem Autofokus scharfstellen, können Sie die Scharfstellentfernung durch Drehen des Fokussierings manuell verändern, während der Auslöser bis zum ersten Druckpunkt gedrückt wird; drücken Sie nach dem Fokussieren den Auslöser für die Aufnahme vollständig herunter.	
3	Zoomring	Drehen, um ein- oder auszuzoomen (Breitenwärtverstellung).	
4	Breitenwänskala	Gibt beim Zoomen die ungefähre Breitenweite an.	
5	Markierung für Gegenlichtblende	Zeigt die Entfernungseinstellung, den Tiefenschärfbereich ¹ und weitere Informationen an. Drehen, um eine mittels Kamera zugeordnete Einstellung wie [Blende] oder [Belichtungszeitpunkt] vorzunehmen. Nähere Angaben dazu finden Sie im Kamerahandbuch bei der Beschreibung von [Benutzerdef. Bedienelemente (Aufn.)].	See C, D
6	Objektivinfo-Display	Zeigt die Entfernungseinstellung, den Tiefenschärfbereich ¹ und weitere Informationen an. Drehen, um eine mittels Kamera zugeordnete Einstellung wie [Blende] oder [Belichtungszeitpunkt] vorzunehmen. Nähere Angaben dazu finden Sie im Kamerahandbuch bei der Beschreibung von [Benutzerdef. Bedienelemente (Aufn.)].	See C, D
7	Einstellung	Drücken, um eine mittels Kamera zugeordnete Funktion auszuwählen. Nähere Angaben dazu finden Sie im Kamerahandbuch bei der Beschreibung von [Benutzerdef. Bedienelemente (Aufn.)].	See C, D
8	Display-Taste	Einstellungen speichern oder die vom Objektivinfo-Display angezeigten Informationen auswählen.	See C, D
9	Funktionstaste (L-Fn)	Drücken, um eine mittels Kamera zugeordnete Funktion auszuwählen. Nähere Angaben dazu finden Sie im Kamerahandbuch bei der Beschreibung von [Benutzerdef. Bedienelemente (Aufn.)].	See C, D
10	Fokussierungsdurchschalter	Wahl des Fokussiermodus. • A : Autofokus • M : Manuelle Fokussierung Beachten Sie, dass die Schärfe ungeachtet der gewählten Einstellung von Hand eingestellt werden muss, wenn an der Kamera der Modus für manuelle Fokussierung gewählt wurde.	
11	Markierung für die Ausrichtung des Objektivs	Hilft beim Ansetzen des Objektivs an die Kamera.	See A
12	Dichtungsmanschette	—	—
13	CPU-Kontakte	Für die Datenübertragung zwischen Objektiv und Kamera.	—
14	Filtereinschub	Für das Verwenden von zuschneidbaren Filterfolien von Zubehöranbietern.	See F

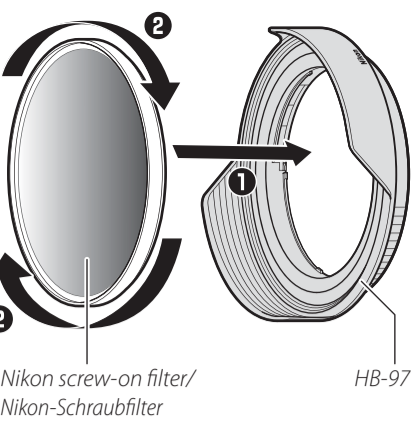


Figure 5/Abbildung 5

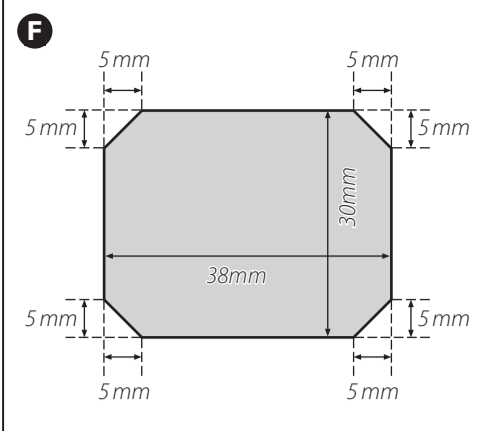


Figure 6/Abbildung 6

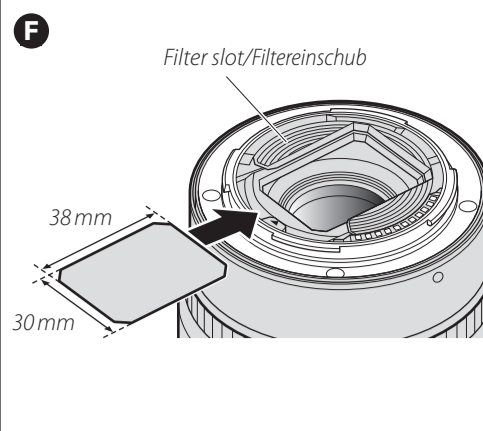


Figure 7/Abbildung 7

15	Objektivdeckel (hintere Deckel)	Für den Schutz der Hinterlinse.	—
16	Objektivdeckel (vordere Deckel)	Für den Schutz der Frontlinse. • Die LC-K104 ist für die Verwendung mit der Gegenlichtblende HB-97 vorgesehen.	See E
17	Gegenlichtblende HB-96/HB-97	Die Gegenlichtblende hält Streulicht ab, das ansonsten zu Streulicht oder Geisterbildern führen kann. Sie dient zudem dem Schutz des Objektivs. • Die HB-97 ist für die Verwendung mit Nikon-Schraubfiltern vorgesehen.	
18	Entfernungseinstellung der Gegenlichtblende	Beim Abnehmen der Gegenlichtblende betätigen.	See E
19	Markierung für die Arierierung der Gegenlichtblende	Hilft beim Ansetzen der Gegenlichtblende.	
20	Ausrichtung der Gegenlichtblende	—	

Ansetzen und Abnehmen

- Ansetzen des Objektivs**
- Schalten Sie die Kamera aus, entfernen Sie den Gehäusedeckel und nehmen Sie den hinteren Objektivdeckel ab.
 - Bringen Sie die Ausrichtungsmarkierungen an Objektiv und Kameragehäuse in Übereinstimmung, setzen Sie das Objektiv in das Kamerabajonett ein und drehen Sie das Objektiv entgegen dem Uhrzeigersinn, bis es einrastet.

- Abnehmen des Objektivs**
- Schalten Sie die Kamera aus

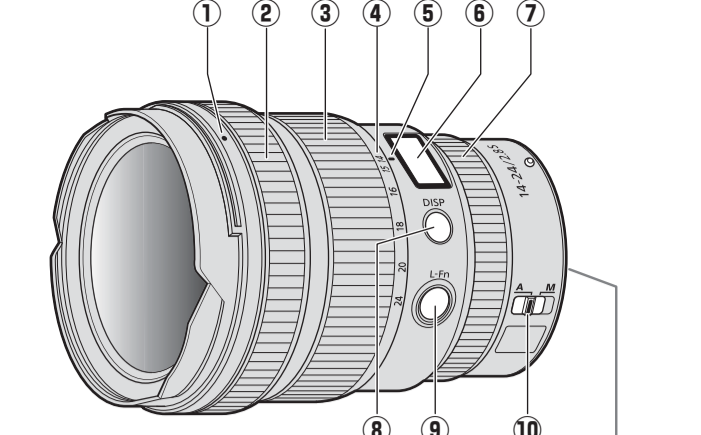
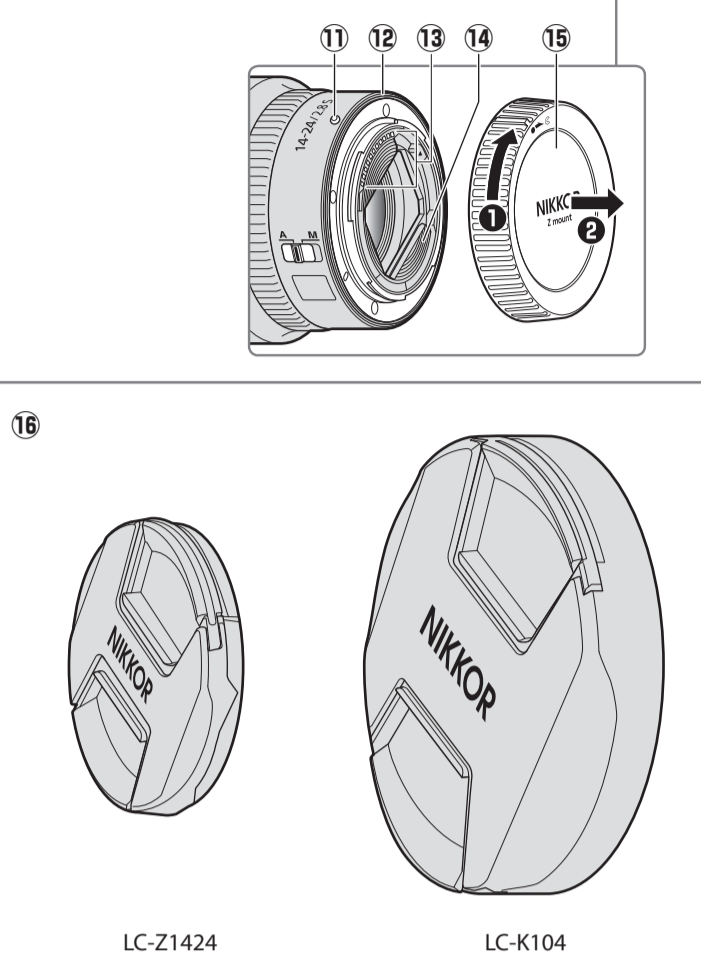
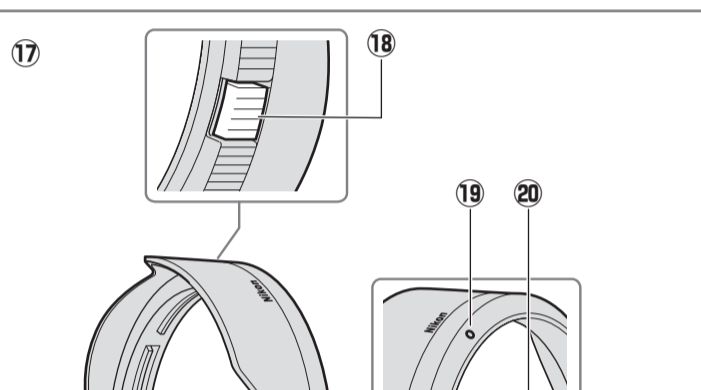


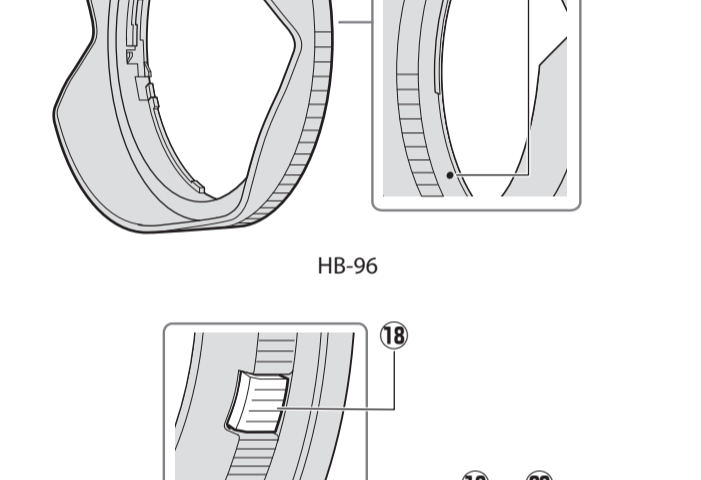
Figure 1/ Afbeelding 1



LC-Z1424 LC-K104



HB-96



HB-97

Figure 1/ Afbeelding 1

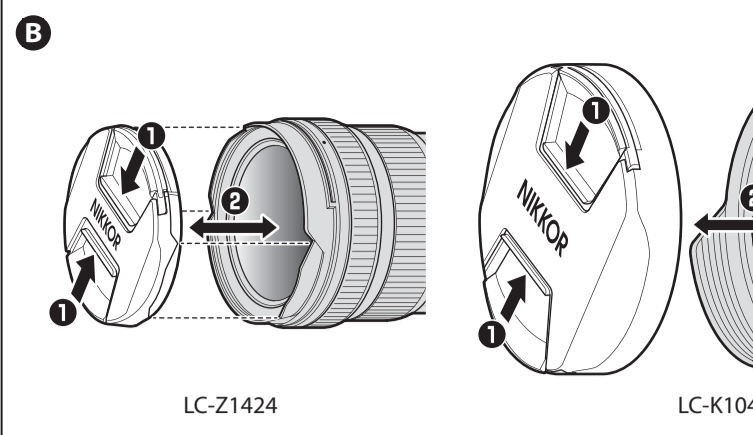


Figure 2/ Afbeelding 2

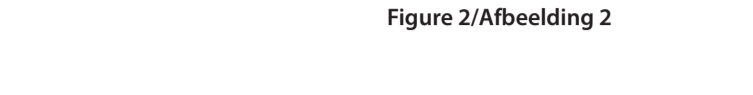


Figure 3/ Afbeelding 3



Figure 4/ Afbeelding 4



Figure 5/ Afbeelding 5

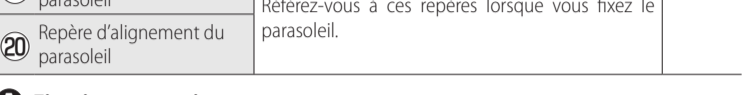


Figure 6/ Afbeelding 6



Figure 7/ Afbeelding 7

Fr Manuel d'utilisation

Avant d'utiliser ce produit, veuillez lire ces instructions attentivement. Vous devez également consulter le manuel de l'appareil photo.

- Cet objectif est destiné exclusivement aux appareils photo hybrides dotés d'une monture Nikon Z.
- Mettez à jour le firmware de l'appareil photo vers la dernière version. Avec les versions antérieures, l'appareil photo risque de ne pas pouvoir détecter correctement l'objectif et certaines fonctionnalités peuvent être indisponibles. La dernière version du firmware de l'appareil photo peut être téléchargée depuis le Centre de téléchargement Nikon via l'URL ci-dessous. <https://downloadcenter.nikonimglib.com/>

Pour votre sécurité

Afin d'éviter de provoquer des dommages matériels ou de vous blesser ou de blesser un tiers, lisez intégralement « Pour votre sécurité » avant d'utiliser ce produit.

Consultez ces consignes de sécurité dans un endroit facilement accessible à tous ceux qui pourraient se servir de ce produit.

- AVERTISSEMENT** - le non-respect des consignes indiquées par cette icône peut vous exposer à un danger de mort ou à de graves blessures.
- ATTENTION** - le non-respect des consignes indiquées par cette icône peut vous exposer à des blessures ou provoquer des dommages matériels.

AVERTISSEMENT

- Ne démontez pas ou ne modifiez pas ce produit. Ne touchez pas les composants internes qui sont exposés suite à une chute ou à un autre accident.
- Le non-respect de ces consignes peut provoquer un choc électrique ou d'autres blessures.

- Si vous observez des anomalies provenant du produit comme de la fumée, de la chaleur ou des odeurs inhabituelles, débranchez immédiatement la source d'alimentation de l'appareil photo. Continuez d'utiliser le matériel risque de provoquer un incendie, des brûlures ou d'autres blessures.

- Gardez votre matériel au sec. Ne le manipulez pas avec les mains mouillées.
- Le non-respect de ces consignes de sécurité peut provoquer un incendie ou un choc électrique.

- Utilisez pas ce produit en présence de poussières ou de gaz inflammables comme du propane, de l'essence ou des aérosols.
- Le non-respect de cette consigne peut provoquer une explosion ou un incendie.

- N'observez pas directement le soleil ou toute autre source lumineuse puissante à travers l'objectif.
- Le non-respect de cette consigne peut provoquer des troubles visuels.

- Conservez ce produit hors de portée des enfants.
- Le non-respect de cette consigne peut provoquer des blessures ou le dysfonctionnement du produit. En outre, notez que les petites pièces présentent un risque d'étouffement. Si jamais un enfant avalait une pièce de ce produit, consultez immédiatement un médecin.

- Ne manipulez pas le matériel à mains nues dans des lieux exposés à des températures extrêmement basses ou élevées.
- Le non-respect de cette consigne peut provoquer des brûlures ou des engelures.

ATTENTION

- Ne pointez pas l'objectif en direction du soleil ou d'autres sources très lumineuses. La lumière focalisée par l'objectif peut provoquer un incendie ou endommager les composants internes du produit, lorsque vous photographiez un sujet à contre-jour, veillez à garder toujours le séal à l'intérieur du cadre. Lorsque le séal se trouve près du cadre, sa lumière risque de se concentrer dans l'appareil photo et de provoquer un incendie.

- Ne laissez pas le produit exposé à des températures excessivement chaudes pendant une période prolongée, comme dans une voiture fermée ou en plein soleil.
- Le non-respect de cette consigne peut provoquer un incendie ou le dysfonctionnement du produit.

- Ne transportez pas les appareils photo ou les objectifs si des trépieds ou accessoires similaires sont fixés.
- Le non-respect de cette consigne peut provoquer des blessures ou le dysfonctionnement du produit.

- Les mentions suivantes s'appliquent uniquement aux utilisateurs situés dans les pays européens.

- Ce produit doit être jeté dans un point de collecte approprié. Il ne doit pas être jeté avec les déchets ménagers.

- Le tri sélectif et le recyclage permettent de préserver les ressources naturelles et d'éviter les conséquences négatives pour la santé humaine et l'environnement, qui peuvent être provoquées par une élimination incorrecte.

- Pour plus d'informations, contactez votre revendeur ou les autorités locales chargées de la gestion des déchets.

- AVIS POUR LES CLIENTS EN FRANCE

LE PRODUIT ET SON EMBALLAGE RELEVENT D'UNE CONSIGNE DE TRI



Les mentions suivantes s'appliquent uniquement aux utilisateurs situés dans les pays européens.

- Ce produit doit être jeté dans un point de collecte approprié. Il ne doit pas être jeté avec les déchets ménagers.

- Le tri sélectif et le recyclage permettent de préserver les ressources naturelles et d'éviter les conséquences négatives pour la santé humaine et l'environnement, qui peuvent être provoquées par une élimination incorrecte.

- Pour plus d'informations, contactez votre revendeur ou les autorités locales chargées de la gestion des déchets.

- AVIS POUR LES CLIENTS EN FRANCE

LE PRODUIT ET SON EMBALLAGE RELEVENT D'UNE CONSIGNE DE TRI



Les mentions suivantes s'appliquent uniquement aux utilisateurs situés dans les pays européens.

- Ce produit doit être jeté dans un point de collecte approprié. Il ne doit pas être jeté avec les déchets ménagers.

- Le tri sélectif et le recyclage permettent de préserver les ressources naturelles et d'éviter les conséquences négatives pour la santé humaine et l'environnement, qui peuvent être provoquées par une élimination incorrecte.

- Pour plus d'informations, contactez votre revendeur ou les autorités locales chargées de la gestion des déchets.

- AVIS POUR LES CLIENTS EN FRANCE

LE PRODUIT ET SON EMBALLAGE RELEVENT D'UNE CONSIGNE DE TRI



Les mentions suivantes s'appliquent uniquement aux utilisateurs situés dans les pays européens.

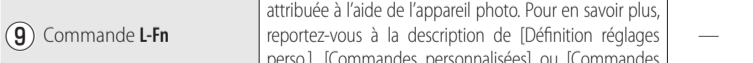
- Ce produit doit être jeté dans un point de collecte approprié. Il ne doit pas être jeté avec les déchets ménagers.

- Le tri sélectif et le recyclage permettent de préserver les ressources naturelles et d'éviter les conséquences négatives pour la santé humaine et l'environnement, qui peuvent être provoquées par une élimination incorrecte.

- Pour plus d'informations, contactez votre revendeur ou les autorités locales chargées de la gestion des déchets.

- AVIS POUR LES CLIENTS EN FRANCE

LE PRODUIT ET SON EMBALLAGE RELEVENT D'UNE CONSIGNE DE TRI



Les mentions suivantes s'appliquent uniquement aux utilisateurs situés dans les pays européens.

- Ce produit doit être jeté dans un point de collecte approprié. Il ne doit pas être jeté avec les déchets ménagers.

- Le tri sélectif et le recyclage permettent de préserver les ressources naturelles et d'éviter les conséquences négatives pour la santé humaine et l'environnement, qui peuvent être provoquées par une élimination incorrecte.

- Pour plus d'informations, contactez votre revendeur ou les autorités locales chargées de la gestion des déchets.

- AVIS POUR LES CLIENTS EN FRANCE

LE PRODUIT ET SON EMBALLAGE RELEVENT D'UNE CONSIGNE DE TRI



Les mentions suivantes s'appliquent uniquement aux utilisateurs situés dans les pays européens.

- Ce produit doit être jeté dans un point de collecte approprié. Il ne doit pas être jeté avec les déchets ménagers.

- Le tri sélectif et le recyclage permettent de préserver les ressources naturelles et d'éviter les conséquences négatives pour la santé humaine et l'environnement, qui peuvent être provoquées par une élimination incorrecte.

- Pour plus d'informations, contactez votre revendeur ou les autorités locales chargées de la gestion des déchets.

- Le parasol bloque la lumière diffuse pouvant provoquer de la lumière parasite ou une image fantôme. Il permet aussi de protéger l'objectif.
- Le HB-97 est conçu pour les filtres à vis Nikon.

- Utilisez ce bouton pour retirer le parasol.

- Référez-vous à ces repères lorsque vous fixez le parasol.

- Référez-vous à ces repères lorsque vous fixez le parasol.

- Référez-vous à ces repères lorsque vous fixez le parasol.

- Référez-vous à ces repères lorsque vous fixez le parasol.

- Référez-vous à ces repères lorsque vous fixez le parasol.

- Référez-vous à ces repères lorsque vous fixez le parasol.

- Référez-vous à ces repères lorsque vous fixez le parasol.

- Référez-vous à ces repères lorsque vous fixez le parasol.

- Référez-vous à ces repères lorsque vous fixez le parasol.

- Référez-vous à ces repères lorsque vous fixez le parasol.

- Référez-vous à ces repères lorsque vous fixez le parasol.

- Référez-vous à ces repères lorsque vous fixez le parasol.

- Référez-vous à ces repères lorsque vous fixez le parasol.

- Référez-vous à ces repères lorsque vous fixez le parasol.

- Référez-vous à ces repères lorsque vous fixez le parasol.

- Référez-vous à ces repères lorsque vous fixez le parasol.

- Référez-vous à ces repères lorsque vous fixez le parasol.

- Référez-vous à ces repères lorsque vous fixez le parasol.

- Référez-vous à ces repères lorsque vous fixez le parasol.

- Référez-vous à ces repères lorsque vous fixez le parasol.

- Référez-vous à ces repères lorsque vous fixez le parasol.

- Référez-vous à ces repères lorsque vous fixez le parasol.

- Référez-vous à ces repères lorsque vous fixez le parasol.

- Référez-vous à ces repères lorsque vous fixez le parasol.

- Référez-vous à ces repères lorsque vous fixez le parasol.

- Référez-vous à ces repères lorsque vous fixez le parasol.

- Référez-vous à ces repères lorsque vous fixez le parasol.

- Référez-vous à ces repères lorsque vous fixez le parasol.

- Référez-vous à ces repères lorsque vous fixez le parasol.

- Référez-vous à ces repères lorsque vous fixez le parasol.

- Référez-vous à ces repères lorsque vous fixez le parasol.

- Référez-vous à ces repères lorsque vous fixez le parasol.

- Référez-vous à ces repères lorsque vous fixez le parasol.

- Référez-vous à ces repères lorsque vous fixez le parasol.

- Référez-vous à ces repères lorsque vous fixez le parasol.

- Référez-vous à ces repères lorsque vous fixez le parasol.

- Référez-vous à ces repères lorsque vous fixez le parasol.

- Référez-vous à ces repères lorsque vous fixez le parasol.

- Référez-vous à ces repères lorsque vous fixez le parasol.

- Référez-vous à ces repères lorsque vous fixez le parasol.

- Référez-vous à ces repères lorsque vous fixez le parasol.

- Référez-vous à ces repères lorsque vous fixez le parasol.

- Référez-vous à ces repères lorsque vous fixez le parasol.

- Référez-vous à ces repères lorsque vous fixez le parasol.

- Référez-vous à ces repères lorsque vous fixez le parasol.

- Référez-vous à ces repères lorsque vous fixez le parasol.

- Référez-vous à ces repères lorsque vous fixez le parasol.

- Référez-vous à ces repères lorsque vous fixez le parasol.

- Référez-vous à ces repères lorsque vous fixez le parasol.

- Référez-vous à ces repères lorsque vous fixez le parasol.

- Référez-vous à ces repères lorsque vous fixez le parasol.

- Référez-vous à ces repères lorsque vous fixez le parasol.

- Référez-vous à ces repères lorsque vous fixez le parasol.

- Référez-vous à ces repères lorsque vous fixez le parasol.

- Référez-vous à ces repères lorsque vous fixez le parasol.

- Référez-vous à ces repères lorsque vous fixez le parasol.

- Référez-vous à ces repères lorsque vous fixez le parasol.

- Référez-vous à ces repères lorsque vous fixez le parasol.

- Le parasol bloque la lumière diffuse pouvant provoquer de la lumière parasite ou une image fantôme. Il permet aussi de protéger l'objectif.
- Le HB-97 est conçu pour les filtres à vis Nikon.

- Utilisez ce bouton pour retirer le parasol.

- Référez-vous à ces repères lorsque vous fixez le parasol.

- Référez-vous à ces repères lorsque vous fixez le parasol.

- Référez-vous à ces repères lorsque vous fixez le parasol.

- Référez-vous à ces repères lorsque vous fixez le parasol.

- Référez-vous à ces repères lorsque vous fixez le parasol.

- Référez-vous à ces repères lorsque vous fixez le parasol.

- Référez-vous à ces repères lorsque vous fixez le parasol.

- Référez-vous à ces repères lorsque vous fixez le parasol.

- Référez-vous à ces repères lorsque vous fixez le parasol.

- Référez-vous à ces repères lorsque vous fixez le parasol.

- Référez-vous à ces repères lorsque vous fixez le parasol.

- Référez-vous à ces repères lorsque vous fixez le parasol.

- Référez-vous à ces repères lorsque vous fixez le parasol.

- Référez-vous à ces repères lorsque vous fixez le parasol.

- Référez-vous à ces repères lorsque vous fixez le parasol.

- Référez-vous à ces repères lorsque vous fixez le parasol.

- Référez-vous à ces repères lorsque vous fixez le parasol.

- Référez-vous à ces repères lorsque vous fixez le parasol.

- Référez-vous à ces repères lorsque vous fixez le parasol.

- Référez-vous à ces repères lorsque vous fixez le parasol.

- Référez-vous à ces repères lorsque vous fixez le parasol.

- Référez-vous à ces repères lorsque vous fixez le parasol.

- Référez-vous à ces repères lorsque vous fixez le parasol.

- Référez-vous à ces repères lorsque vous fixez le parasol.

- Référez-vous à ces repères lorsque vous fixez le parasol.

- Référez-vous à ces repères lorsque vous fixez le parasol.

- Référez-vous à ces repères lorsque vous fixez le parasol.

- Référez-vous à ces repères lorsque vous fixez le parasol.

- Référez-vous à ces repères lorsque vous fixez le parasol.

- Référez-vous à ces repères lorsque vous fixez le parasol.

- Référez-vous à ces repères lorsque vous fixez le parasol.

- Référez-vous à ces repères lorsque vous fixez le parasol.

- Référez-vous à ces repères lorsque vous fixez le parasol.

- Référez-vous à ces repères lorsque vous fixez le parasol.

- Référez-vous à ces repères lorsque vous fixez le parasol.

- Référez-vous à ces repères lorsque vous fixez le parasol.

- Référez-vous à ces repères lorsque vous fixez le parasol.

- Référez-vous à ces repères lorsque vous fixez le parasol.

- Référez-vous à ces repères lorsque vous fixez le parasol.

- Référez-vous à ces repères lorsque vous fixez le parasol.

- Référez-vous à ces repères lorsque vous fixez le parasol.

- Référez-vous à ces repères lorsque vous fixez le parasol.

- Référez-vous à ces repères lorsque vous fixez le parasol.

- Référez-vous à ces repères lorsque vous fixez le parasol.

- Référez-vous à ces repères lorsque vous fixez le parasol.

- Référez-vous à ces repères lorsque vous fixez le parasol.

- Référez-vous à ces repères lorsque vous fixez le parasol.

- Référez-vous à ces repères lorsque vous fixez le parasol.

- Référez-vous à ces repères lorsque vous fixez le parasol.

- Référez-vous à ces repères lorsque vous fixez le parasol.

- Référez-vous à ces repères lorsque vous fixez le parasol.

- Référez-vous à ces repères lorsque vous fixez le parasol.

- Référez-vous à ces repères lorsque vous fixez le parasol.

- Référez-vous à ces repères lorsque vous fixez le parasol.

- Référez-vous à ces repères lorsque vous fixez le parasol.

- Référez-vous à ces repères lorsque vous fixez le parasol.

- Référez-vous à ces repères lorsque vous fixez le parasol.

- Référez-vous à ces repères lorsque vous fixez le parasol.

Nl Gebruikshandleiding

Lees deze instructies aandachtig door, voor gebruik van dit product. U moet ook de handleiding van de camera raadplegen.

- Dit objectief is uitsluitend bedoeld voor gebruik met systeemcamera's die over een Nikon Z-vastzet beschikken.

- Werk de camerafirmware bij naar de nieuwste versie. Met oudere versies is het mogelijk dat de camera het objectief niet goed detecteert en zijn sommige functies mogelijk niet beschikbaar. De nieuwste versie van de camerafirmware kan worden gedownload via het Nikon Download Center op de onderstaande URL. <https://downloadcenter.nikonimglib.com/>

- Filter te vis Nikon

- De parasol blokkeert de lichtstralen die de camera binnenkomen, wat kan leiden tot een lichtvlek of een beeldvervalsing.

- De HB-97 is ontworpen voor filters met een draadmaat van 49,5 mm.

- De parasol blokkeert de lichtstralen die de camera binnenkomen, wat kan leiden tot een lichtvlek of een beeldvervalsing.

- De HB-97 is ontworpen voor filters met een draadmaat van 49,5 mm.

- De parasol blokkeert de lichtstralen die de camera binnenkomen, wat kan leiden tot een lichtvlek of een beeldvervalsing.

- De parasol blokkeert de lichtstralen die de camera binnenkomen, wat kan leiden tot een lichtvlek of een beeldvervalsing.