

Europe, Middle East

ENGLISH

FRANÇAIS

DEUTSCH

NEDERLANDS

ITALIANO

ESPAÑOL

PORTUGUÊS

РУССКИЙ

ČESTINA

TÜRKÇE

POLSKI

SVENSKA

SUOMI

SLOVENCINA

MAGYAR

עברית

العربية

North America/

Norteamérica

ENGLISH

FRANÇAIS

ESPAÑOL

Latin America/

América Latina

ENGLISH

ESPAÑOL

PORTUGUÊS

Asia Pacific

日本語

简体中文

繁體中文

한국어

ENGLISH

THRUSTMASTER®

T98

Ferrari 296 GTB



THRUSTMASTER®



**For PlayStation®5 consoles,
PlayStation®4 consoles and PC***

User Manual



Carefully read the instructions provided in this manual **before** installing the product, **before** any use of the product and **before** any maintenance. Be sure to follow the safety instructions. Failure to follow these instructions may result in accidents and/or damage. Keep this manual so that you can refer to the instructions in the future.

**PC compatibility (Windows® 10/11) not tested or endorsed by Sony Interactive Entertainment.*

TABLE OF CONTENTS

1. BOX CONTENTS	5
2. FEATURES	6
3. INFORMATION REGARDING USE OF THE RACING WHEEL	8
4. INSTALLING THE RACING WHEEL ON A TABLE OR DESK	12
5. INSTALLING THE PEDAL SET ON A SUPPORT OR IN A COCKPIT	15
6. INSTALLATION	16
<i>On a PlayStation®4 console</i>	<i>16</i>
<i>On a PlayStation®5 console</i>	<i>18</i>
<i>On PC*</i>	<i>20</i>
<i>Calibration of the racing wheel and pedals .</i>	<i>23</i>
<i>Angle of rotation</i>	<i>25</i>
7. MAPPING FOR PLAYSTATION®4 CONSOLES OR PLAYSTATION®5 CONSOLES	26

8. MAPPING FOR PC	27
9. COMPATIBILITY MODE.....	28
10.DRIVING SUPPORT PROFILES (<i>DRIVE</i> <i>PROFILES</i>)	31
11.COMPATIBLE GAMES.....	33
12.AUTOMATIC EMULATION OF THE RACING WHEEL ON PLAYSTATION®4 CONSOLES OR PLAYSTATION®5 CONSOLES	34
13.FAQ AND TECHNICAL SUPPORT	35



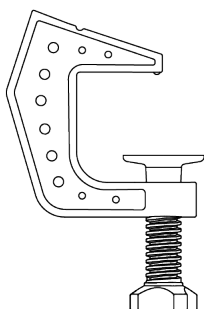
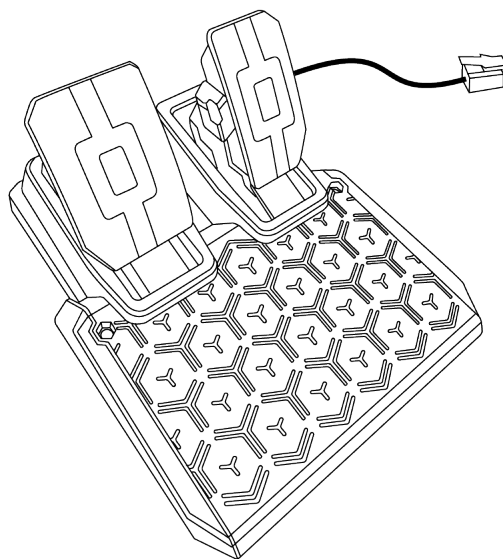
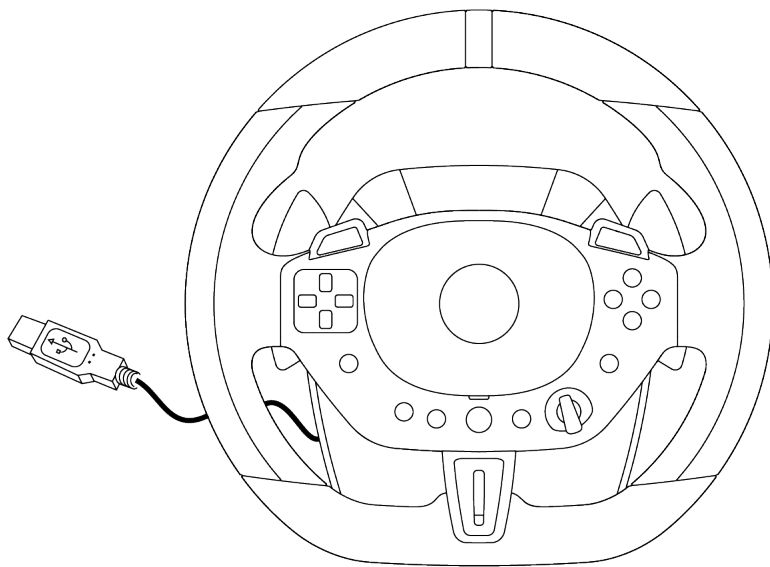
T98, Ferrari 296 GTB

With the T98 Ferrari 296 GTB and its manettino dial offering three levels of driving support, you have a racing wheel that's perfect for all gamer profiles and all types of games.

This manual will help you install and use your T98 Ferrari 296 GTB under the best conditions. Before getting started racing, carefully read the instructions and the warnings: they will help you get the most enjoyment out of your product.

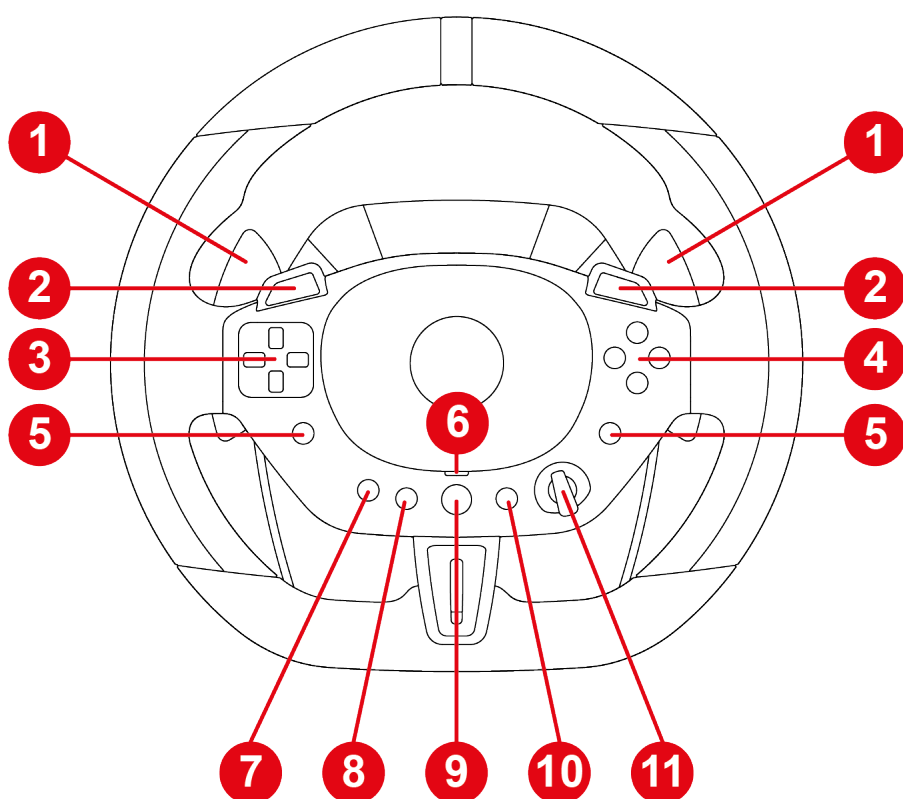


1. Box contents

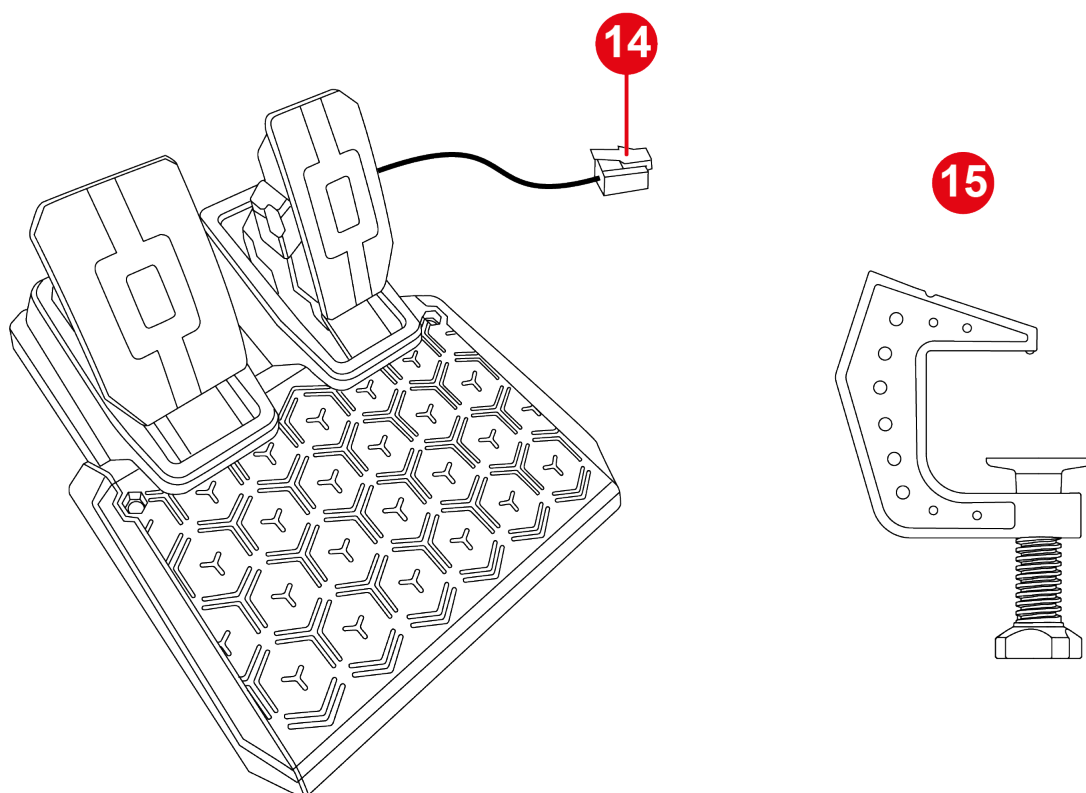
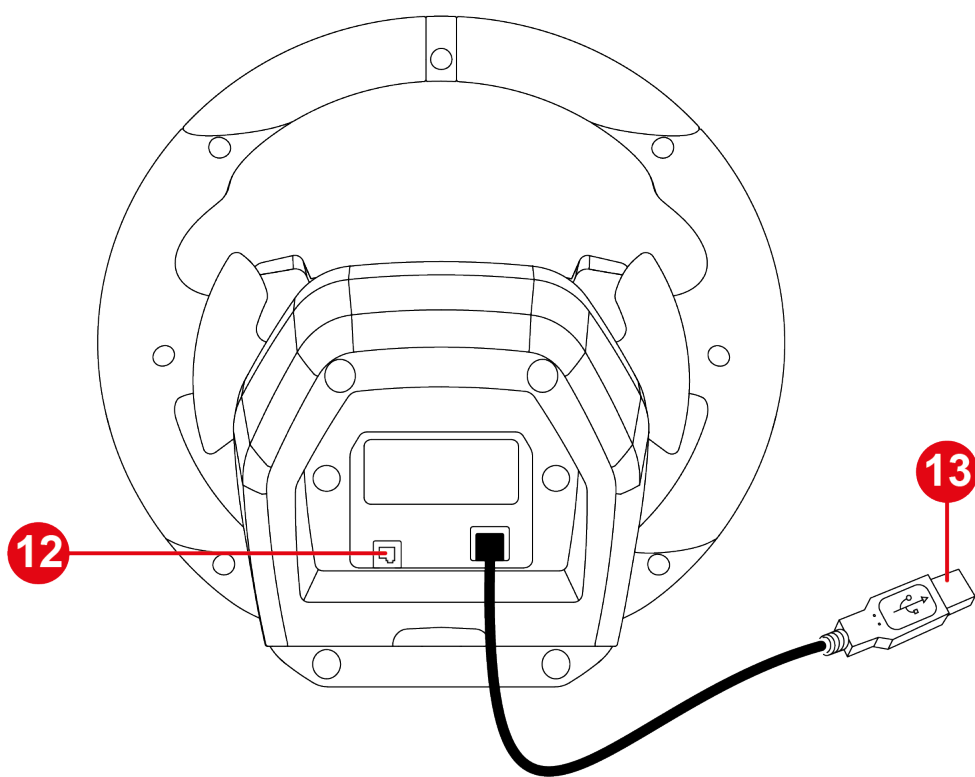




2. Features



- ① Paddle shifters (– and +)
- ② L2 and R2 buttons
- ③ Directional buttons
- ④ Action buttons
- ⑤ L3 and R3 buttons
- ⑥ Compatibility mode LED (blue, red or green)
- ⑦ MODE button
- ⑧ SHARE button on PS4[®] consoles / CREATE button on PS5[®] consoles
- ⑨ PS button
- ⑩ OPTIONS button on PS4[®] consoles and PS5[®] consoles
- ⑪ 3-position manettino dial (driving support profiles)



- ⑫ RJ12 port for pedal set
- ⑬ Racing wheel's USB connector
- ⑭ Pedal set's RJ12 connector
- ⑮ Mounting bracket



3. Information regarding use of the racing wheel



Documentation

Before using this product, carefully read this documentation again and keep it for future reference.



Mechanical movements

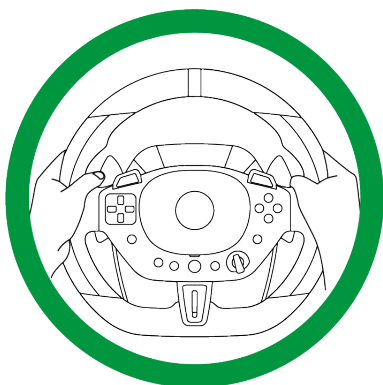
You may notice small mechanical movements between the wheel rim and the base. This is perfectly normal. These movements ensure smooth wheel rim recentering, enhance your driving experience and extend the product's lifespan.



- Keep the product in a dry location and do not expose it to dust or sunlight.
- Use the product in an environment with a temperature between 15°C and 30°C.
- Do not twist or pull on the connectors and cables.



- Do not spill any liquid on the product or its connectors.
- Do not short-circuit the product.
- Never dismantle the product; do not throw it onto a fire and do not expose it to high temperatures.
- Do not open up the racing wheel: there are no user-serviceable parts inside. Any repairs must be carried out by the manufacturer, its authorized representative or a qualified technician.
- If you won't be using the racing wheel for an extended period of time, or if you'll be away from it, disconnect the USB cable.



When using the product, always leave both hands correctly positioned on the wheel without ever completely letting go.



Product to be handled only by persons **14 years of age or older**, or under adult supervision for younger persons.



Securing the gaming area

- Do not place any object in the gaming area which may disrupt the practice of the user, or which may provoke an inappropriate movement or an interruption by another person (coffee cup, telephone, keys, for example).
- Do not place any cables where people will be walking.



Pedal set compatibility

To avoid any malfunctions, we recommend that you only use the pedal set included with the T98 Ferrari 296 GTB racing wheel.



Pedal set pinch hazard when playing

- Keep the pedal set out of children's reach.
- During gaming sessions, never place your fingers (or other parts of your body) on or near the pedal arms.



For safety reasons, never use the pedal set with bare feet or while wearing only socks on your feet. Thrustmaster® disclaims all responsibility in the event of injury resulting from use of the pedal set without shoes.



4. Installing the racing wheel on a table or desk



Before each use, verify that the base is still properly attached to the support, as per this manual's instructions.

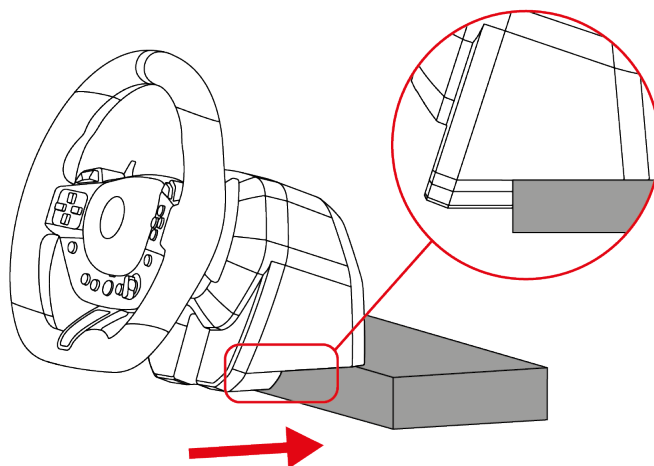


Pinch hazard

Never leave your finger between the mounting bracket and the table or desk when tightening the clamping screw.

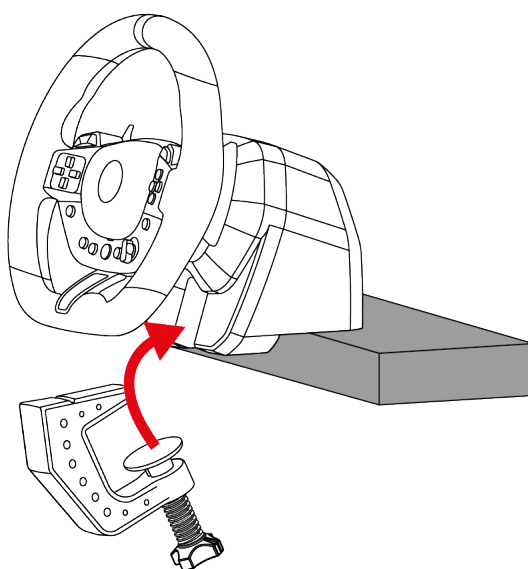


1. Place the racing wheel on a table or desk.



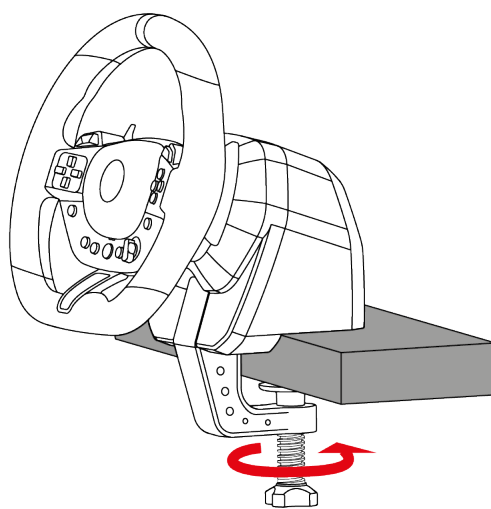
When you are placing the racing wheel on a table or desk, be sure to hold it to prevent it from tipping forward.

2. Insert the mounting bracket into the slot on the inside of the base. Make sure that the notch on the bracket is properly positioned inside the base.





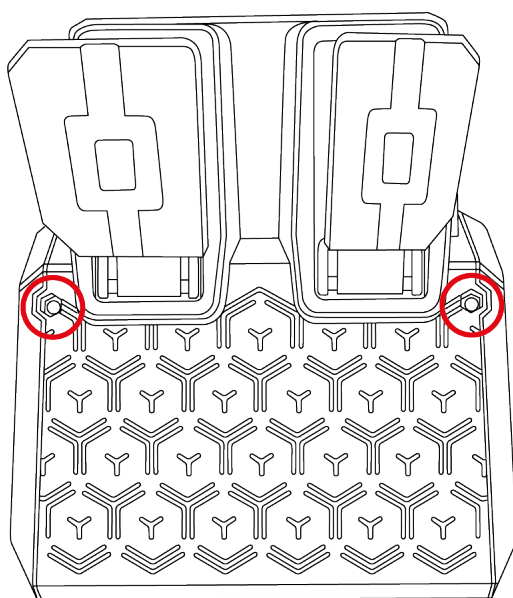
3. Tighten the clamping screw until the racing wheel is perfectly stable.





5. Installing the pedal set on a support or in a cockpit

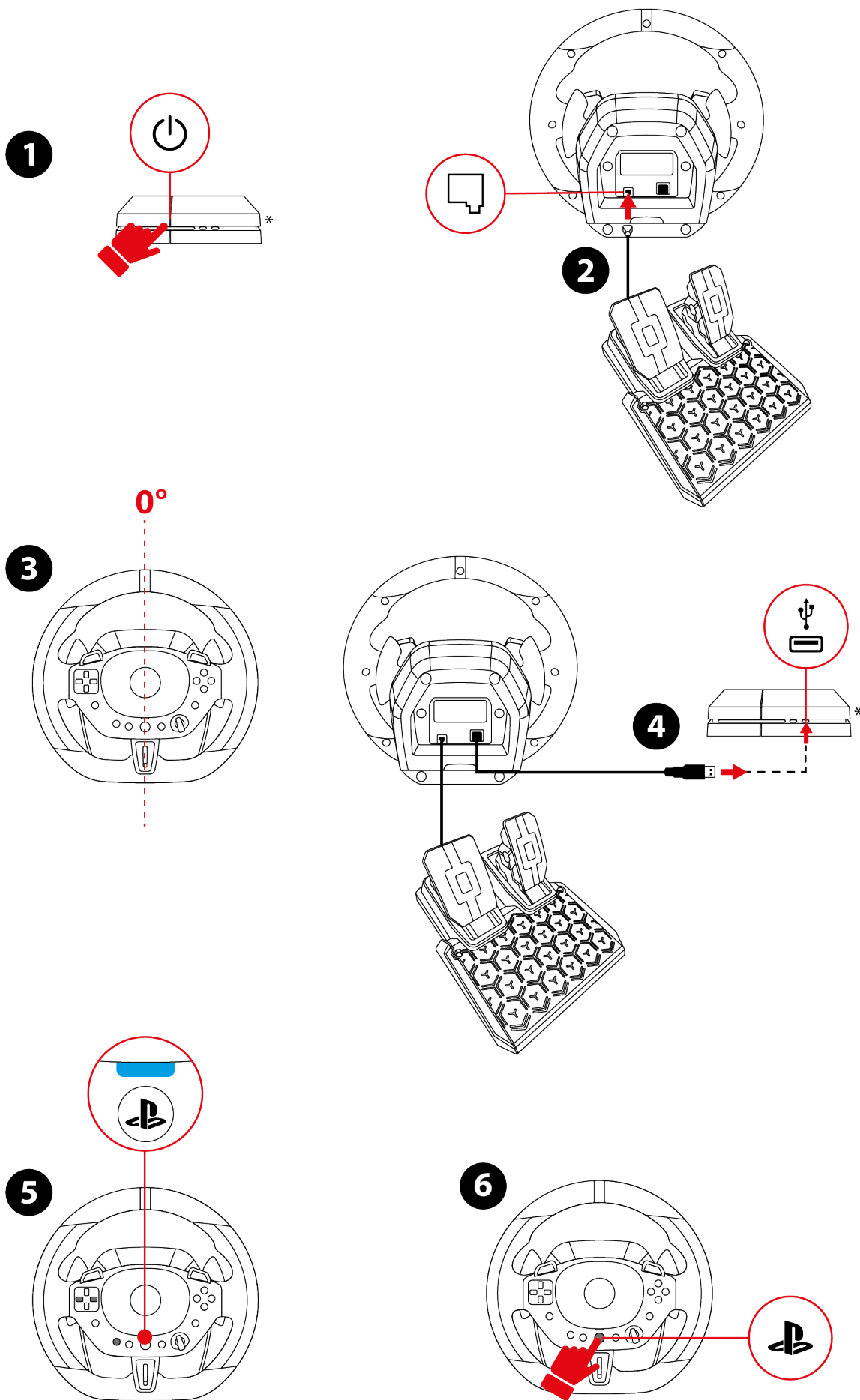
You can install the pedal set on different types of supports (sold separately) thanks to the two mounting holes — one located on each side of the pedal set.





6. Installation

On a PlayStation®4 console




**Not included*



1. Power on your PlayStation®4 console.
2. Connect the pedal set to the RJ12 port on the racing wheel.
3. Physically center the wheel rim.
4. Connect the USB-A connector to a USB-A port on the PlayStation®4 console.
5. If necessary, change the compatibility mode by following the procedure set out [here](#).

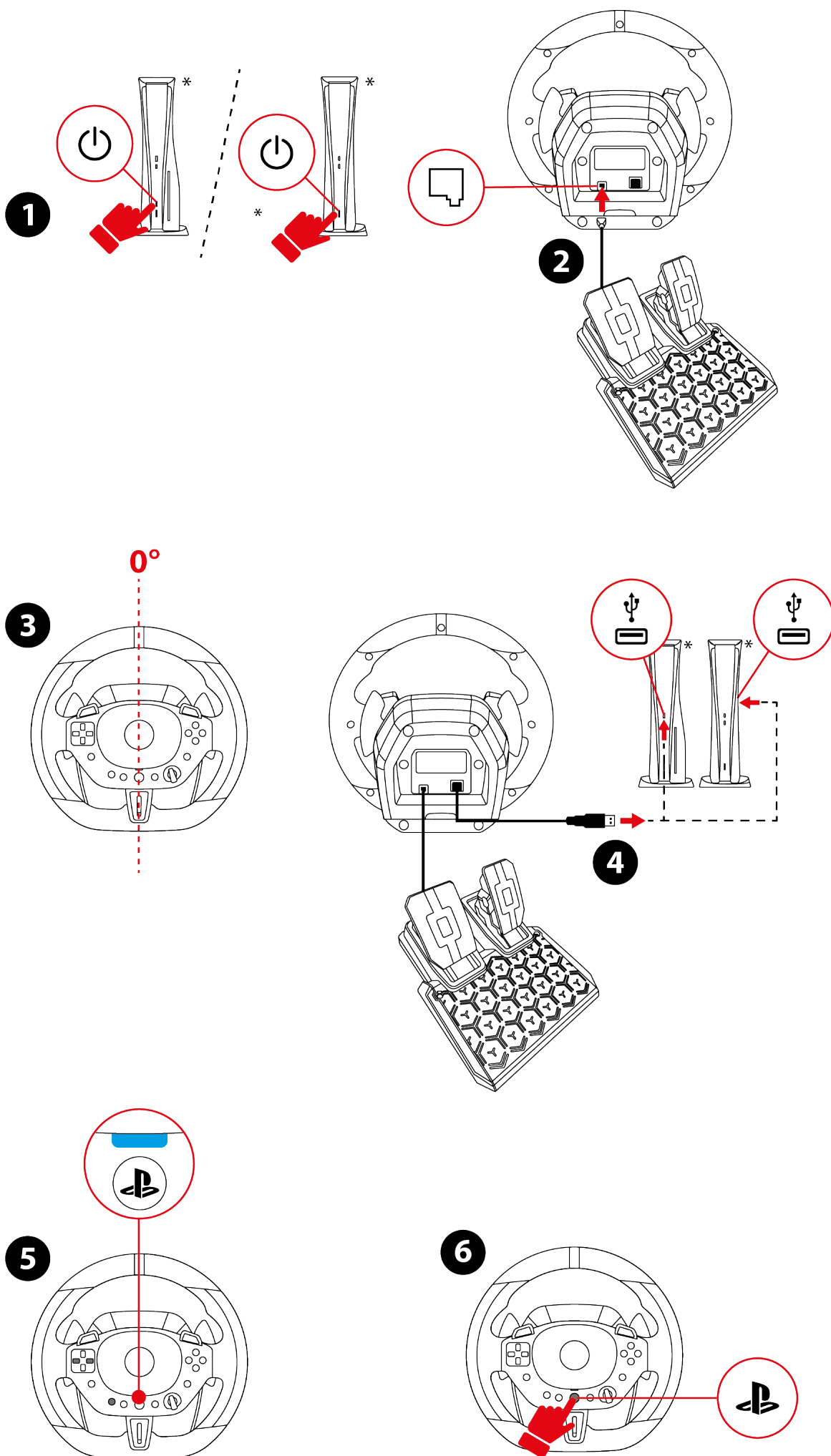
The LED should be blue.

6. Press the  button to connect the racing wheel to your profile.

You are now ready to play!



On a PlayStation®5 console




**Not included*



1. Power on your PlayStation®5 console.
2. Connect the pedal set to the RJ12 port on the racing wheel.
3. Physically center the wheel rim.
4. Connect the USB-A connector to a USB-A port on the PlayStation®5 console.
5. If necessary, change the compatibility mode by following the procedure set out [here](#).

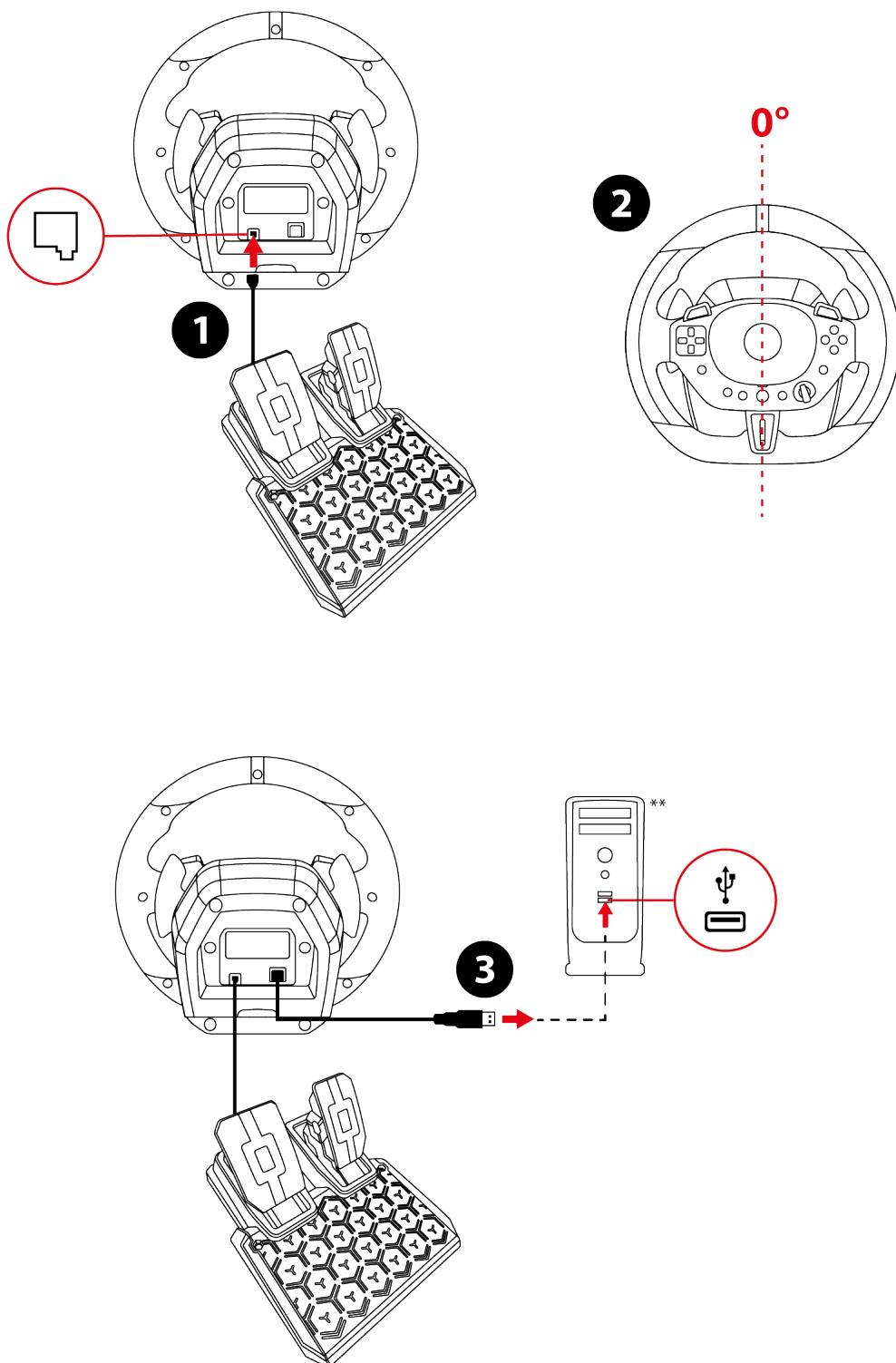
The LED should be blue.

6. Press the  button to connect the racing wheel to your profile.

You are now ready to play!




On PC*

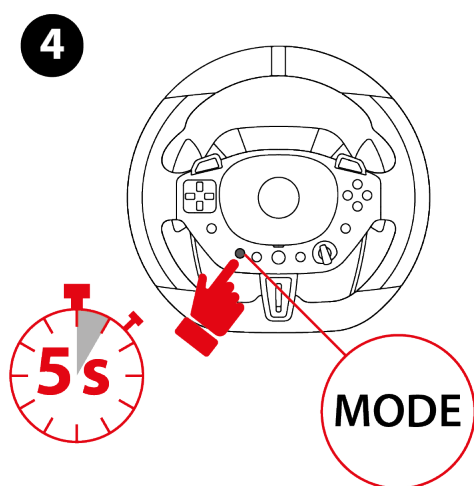



**PC compatibility (Windows® 10/11) not tested or endorsed by Sony Interactive Entertainment.*

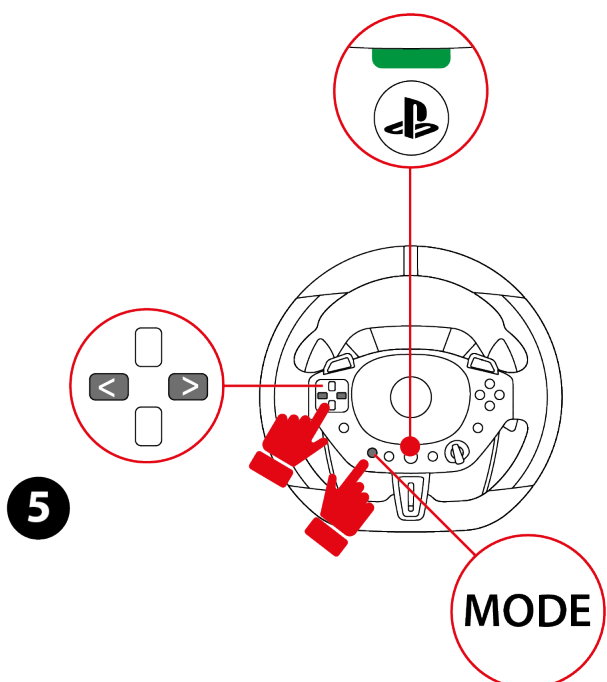
***Not included*



1. Connect the pedal set to the RJ12 port on the racing wheel.
2. Physically center the wheel rim.
3. Connect the USB-A connector to a USB-A port on the PC.
4. Press and hold the MODE button for 5 seconds, until the LED located above the  button starts flashing.



5. Without releasing the MODE button, use the  directional buttons to select the PC compatibility mode (green LED).





6. Once the compatibility mode has been selected, release the buttons. Your selection is saved in the racing wheel's internal memory.

You are now ready to play!



Calibration of the racing wheel and pedals



You must physically center the wheel rim before connecting the USB-A connector to a USB-A port on the PlayStation®4 console, PlayStation®5 console or PC.



Never disconnect the pedal set from the racing wheel or connect it to the racing wheel when the PlayStation®4 console, PlayStation®5 console or PC is powered on. This could result in improper calibration.



Always connect the pedal set before connecting the racing wheel to the PlayStation®4 console, PlayStation®5 console or PC.

Once the game has been started, the pedals are automatically calibrated after a few presses.



Never press the pedals when powering on your PlayStation®4 console, PlayStation®5 console or your PC, starting a game, or changing the compatibility mode. This could result in improper calibration.

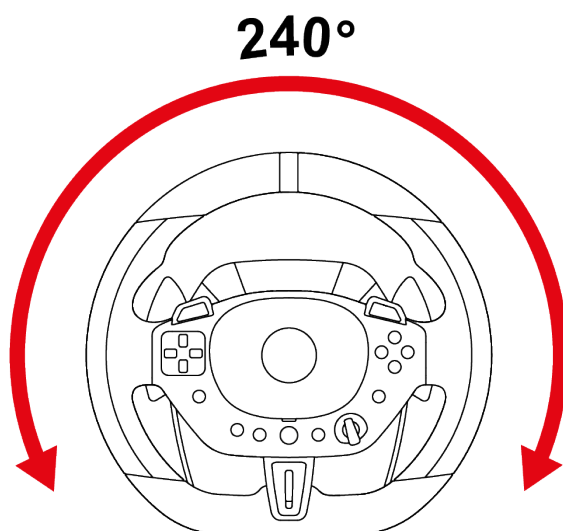


If your racing wheel and/or pedal set do not function correctly, or if they seem to be improperly calibrated: power off your console or PC and completely disconnect the racing wheel. Then reconnect all cables, and restart your PlayStation®4 console, PlayStation®5 console or PC and your game.



Angle of rotation

The wheel rim's angle of rotation is 240°.



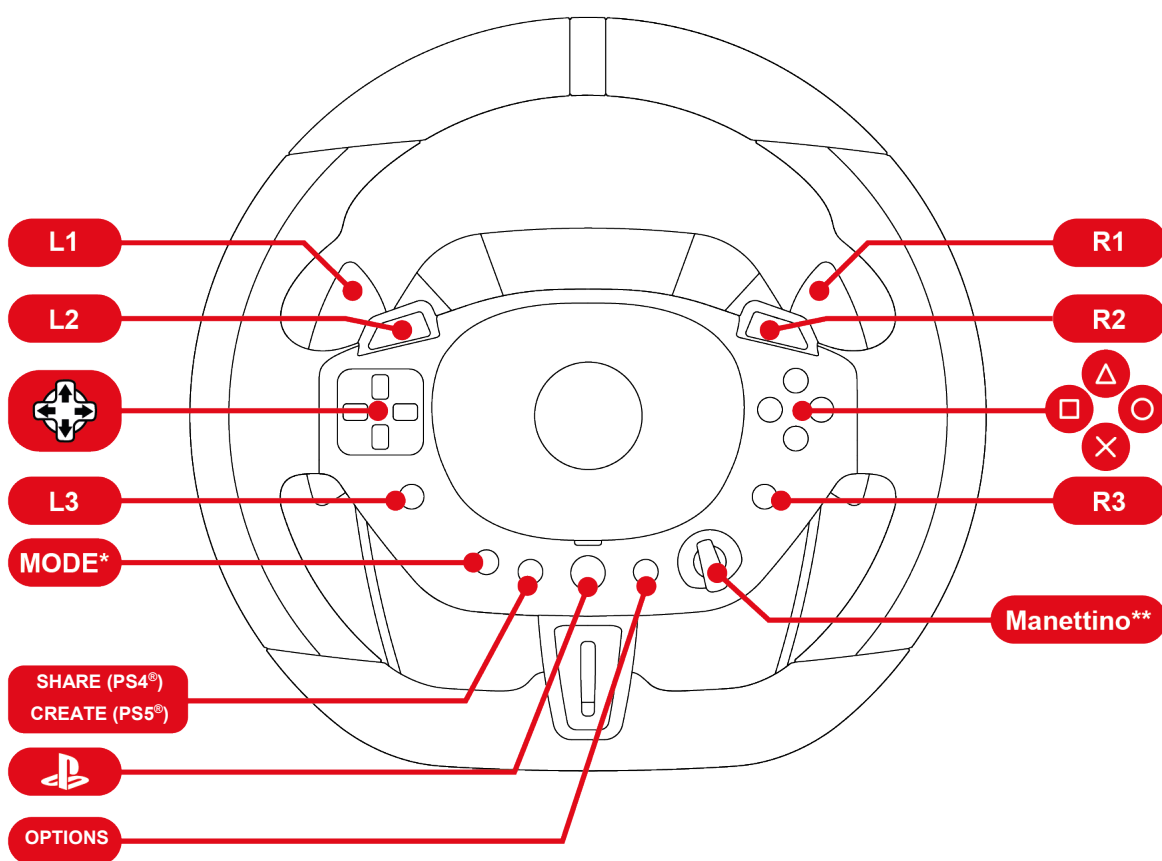
In games where the angle of rotation can be changed manually, please keep the default value if it is greater than or equal to 240°, or select the highest possible value for better playability.

To change the angle of rotation, go to:

- **OPTIONS / CONTROLS / STEER LOCK**; or
- **Settings / Controls / T98 Ferrari 296 GTB** or **Thrustmaster T80** or **Thrustmaster Steering Wheel / Maximum Wheel Or Steering Rotation**.



7. Mapping for PlayStation®4 consoles or PlayStation®5 consoles



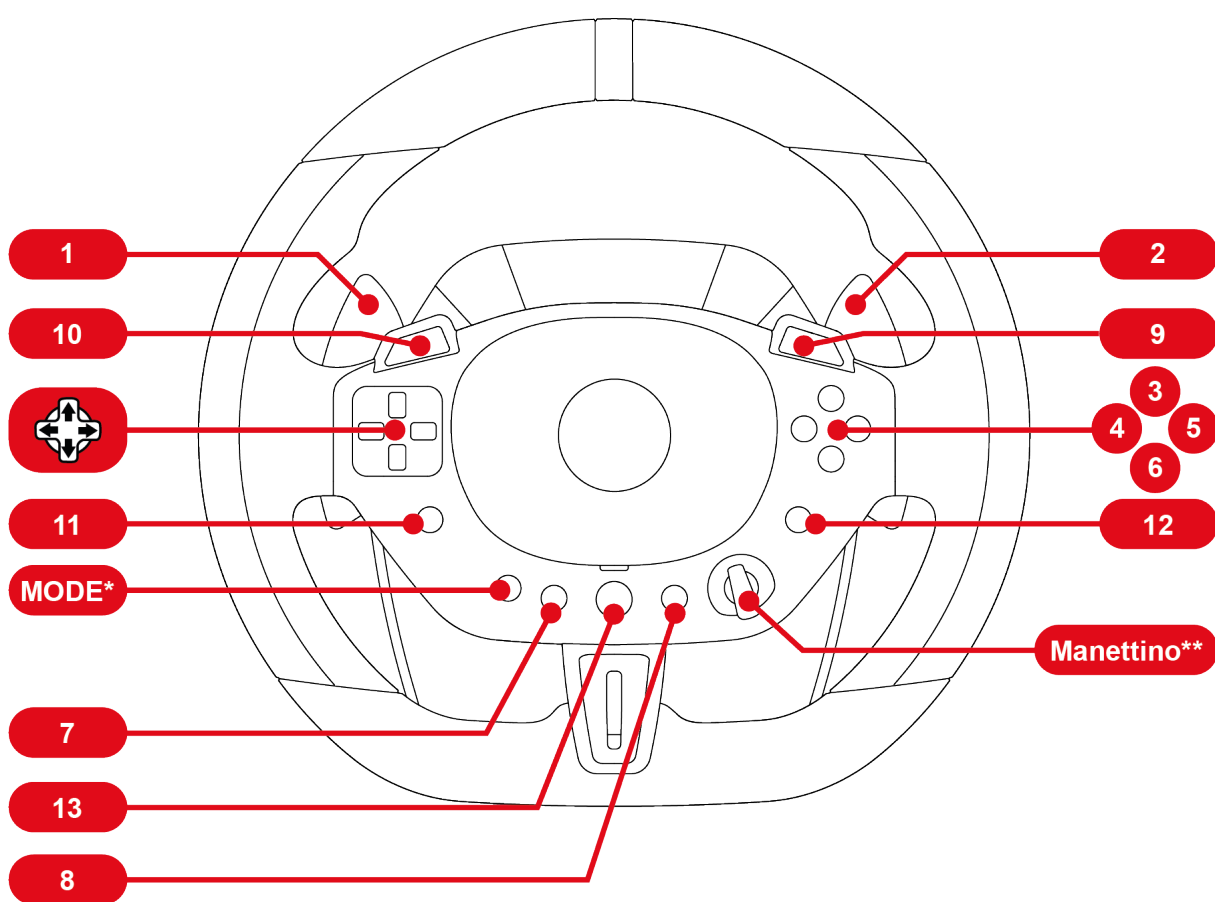
On PlayStation®4 consoles or PlayStation®5 consoles, the racing wheel is recognized with the following name in games: **Thrustmaster T80 RACING WHEEL.**

MODE*: please refer to the **Compatibility mode section.

***Manettino*: please refer to the **Driving support profiles** section.



8. Mapping for PC



On PC, the racing wheel is recognized with the following name in games: **T98 Ferrari 296 GTB** or **Thrustmaster T80**.

MODE: please refer to the **Compatibility mode section.*


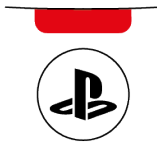

***Manettino: please refer to the **Driving support profiles** section.*



9. Compatibility mode

The racing wheel has three compatibility modes:

- On PlayStation®4 consoles and PlayStation®5 consoles, select PlayStation mode (blue LED).
- On PC, select PC mode (green LED).
- The red LED corresponds to an inactive mode. It will be available in the future.


LED color	Mode
	PLAYSTATION® Standard compatibility (default mode)
	Future compatibility (inactive mode)
	PC

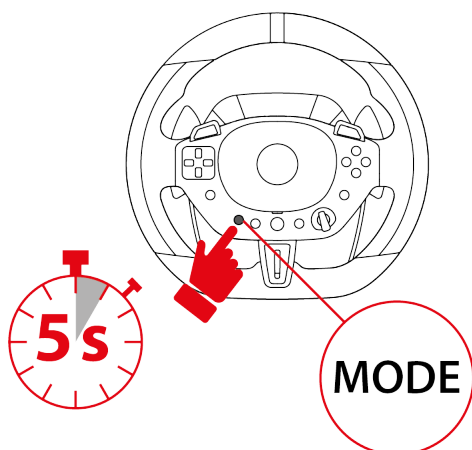



- Do not select the red LED.
- You must change the compatibility mode before starting your game.

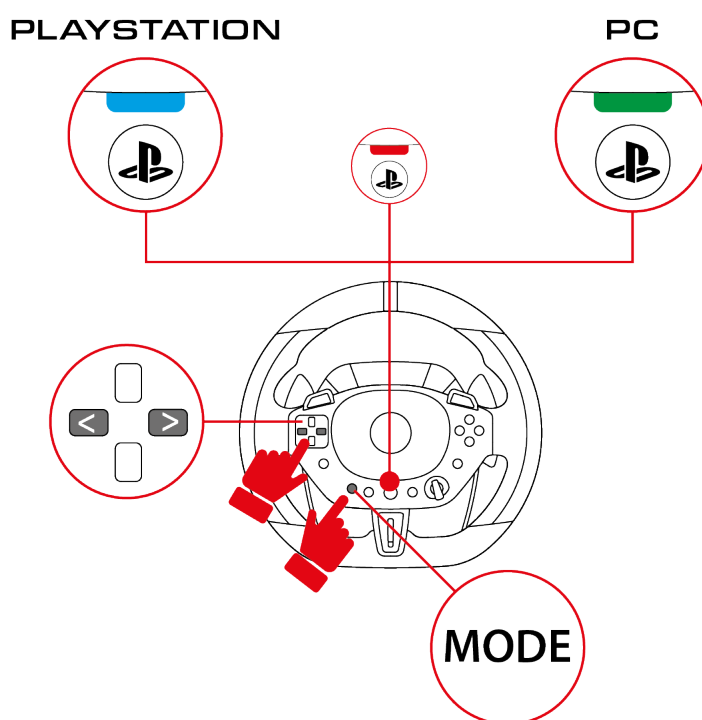


To change the compatibility mode:

1. Press and hold the MODE button for 5 seconds, until the LED located above the  button starts flashing.




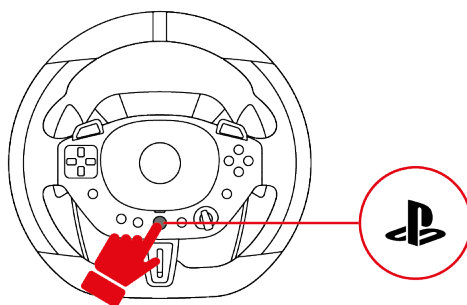
2. Without releasing the MODE button, use the  directional buttons to select the compatibility mode of your choice.



3. Once the compatibility mode has been selected, release the buttons. Your selection is saved in the racing wheel's internal memory.



4. On PlayStation®4 consoles and PlayStation®5 consoles, press the  button to connect the racing wheel to your profile.





10. Driving support profiles (*drive profiles*)

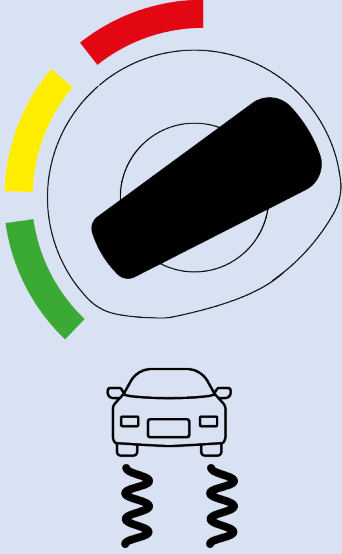
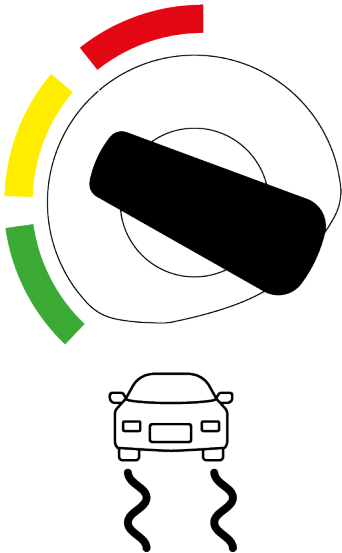
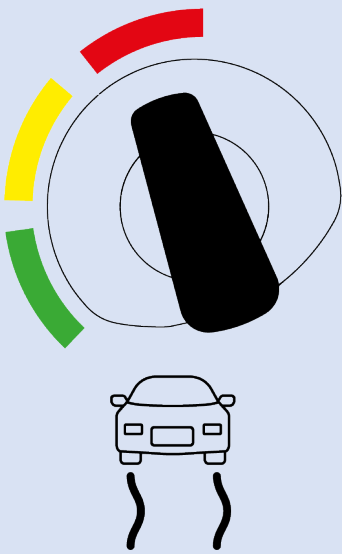
The racing wheel features three driving support profiles, also called *drive profiles*. Each profile offers a greater or lesser level of support.

Use the manettino dial to select the driving support profile that suits you best.



You can even change the driving support profile while you're playing a game.



Profile	Driving support level
	<p>None</p> <p>Good mastery of the racing wheel required.</p> <p>The racing wheel is very sensitive: all movements are reflected in the game.</p>
	<p>Medium (default mode)</p> <p>Driving suitable for intermediate-level gamers.</p> <p>At the beginning of the wheel rim's rotation, the wheel is quite sensitive: almost all movements are reflected in the game.</p>
	<p>High</p> <p>Driving suitable for all gamers.</p> <p>At the beginning of the wheel rim's rotation, the wheel is not very sensitive: some movements are not reflected in the game.</p>



11. Compatible games

The list of compatible games for PlayStation®4 consoles and PlayStation®5 consoles is available here:

<https://support.thrustmaster.com/product/T98-ferrari-296-gtb>

In the **Games settings** section, select PlayStation® Games list. This list is regularly updated.



12. Automatic emulation of the racing wheel on PlayStation®4 consoles or PlayStation®5 consoles

In games for PlayStation®4 consoles and PlayStation®5 consoles, T98 Ferrari 296 GTB is recognized as a real racing wheel rather than a gamepad, for better responsiveness and enhanced precision.



In some games, to avoid interference between the racing wheel and the gamepad, use the racing wheel's buttons to navigate through the interface of the game and of the console.

To change the mapping, go to the game's options menu and then select WHEEL SETTINGS.

To change the sensitivity of the wheel's steering, choose a different **driving support profile** using the manettino dial.



13. FAQ and technical support


Do you have questions regarding the T98 Ferrari 296 GTB racing wheel, or are you experiencing technical problems? If so, visit the Thrustmaster technical support website:

<https://support.thrustmaster.com/product/T98-ferrari-296-gtb>





1. My wheel is not functioning correctly or seems improperly calibrated

- Press the racing wheel's  button and sign in to your PlayStation™Network account, in order to be able to use the wheel.
- Power off your console or your PC, completely disconnect your racing wheel, reconnect all of the cables, restart your PlayStation®4 console, your PlayStation®5 console or your PC, and start up your game again.
- Never move the wheel rim or press on the pedals when connecting your racing wheel, in order to avoid any calibration problems.
- Never move the wheel rim or press on the pedals when the game is starting up, in order to avoid any calibration problems.



2. *I can't configure my wheel*

- Go to your game's menu and select **Options > Controller > Wheels**. Then, select the most appropriate configuration.
- Refer to your game's user manual or online help for more information.