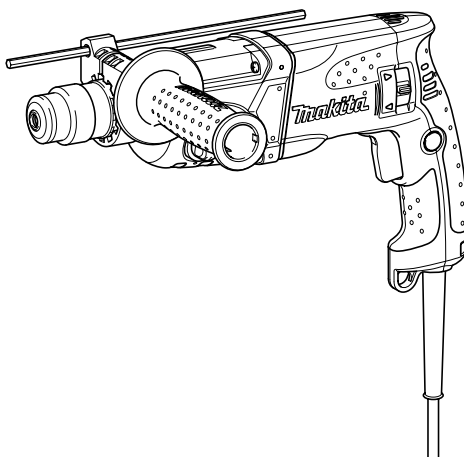
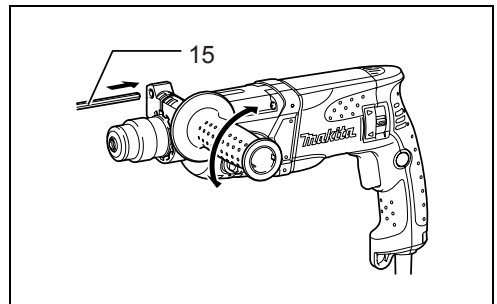
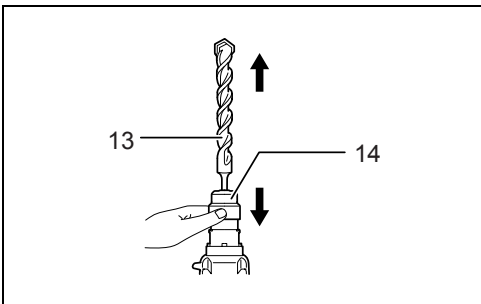
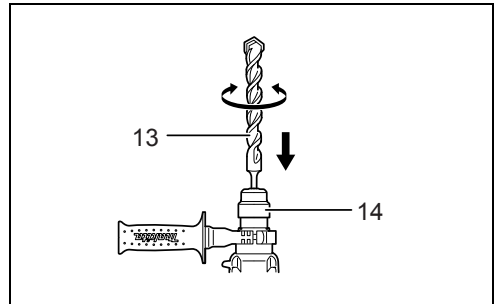
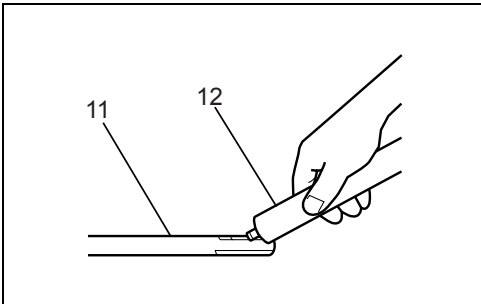
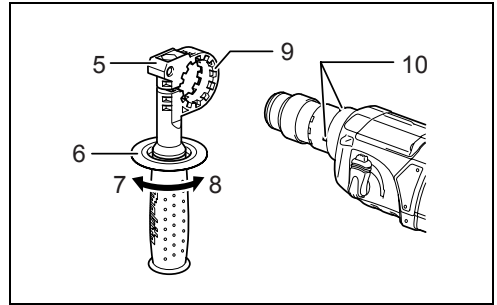
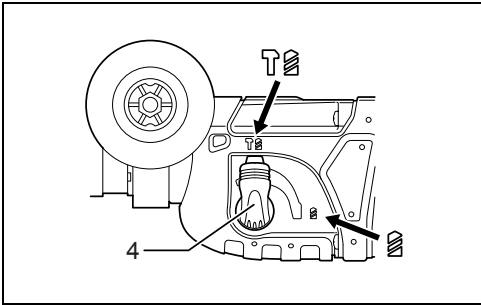
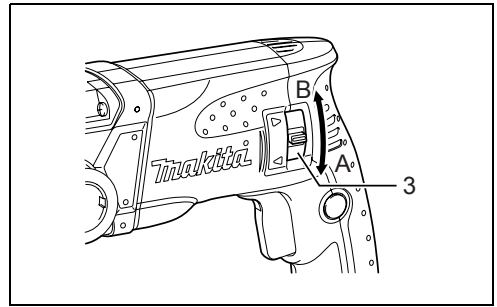
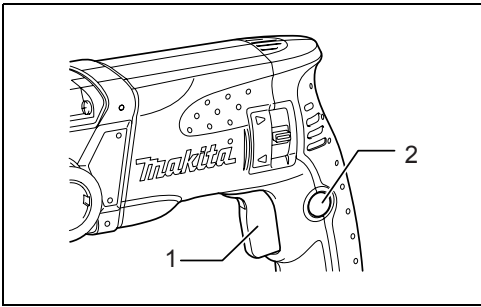


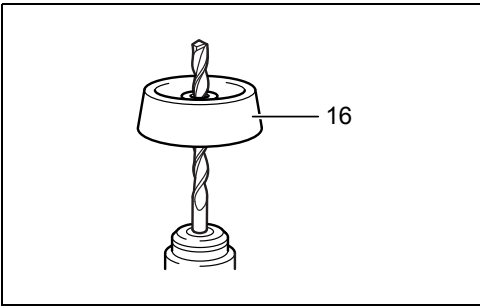


GB Rotary Hammer	Instruction manual
F Perforateur	Manuel d'instructions
D Bohrhammer	Betriebsanleitung
I Martello rotativo	Istruzioni per l'uso
NL Boorhamer	Gebruiksaanwijzing
E Martillo rotativo	Manual de instrucciones
P Martelo misto	Manual de instruções
DK Borehammer	Brugsanvisning
GR Περιστροφικό σφυρί	Οδηγίες χρήσης

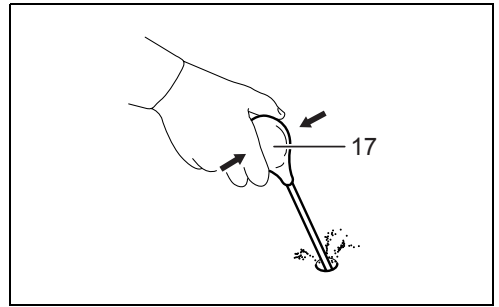
HR2230



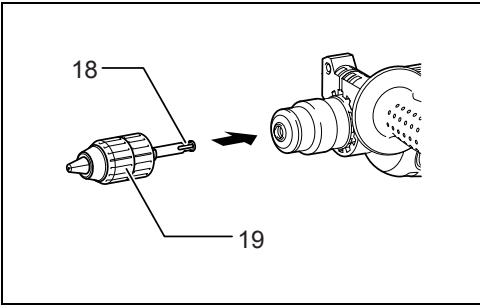




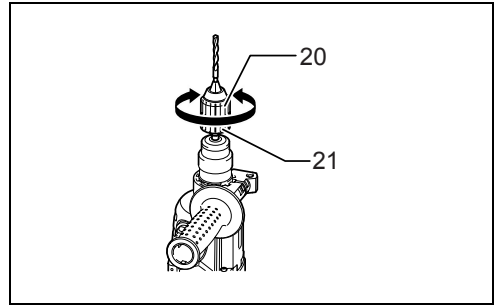
9



10



11




12

ENGLISH (Original instructions)

Explanation of general view

- | | | |
|------------------------------|-----------------|-------------------------|
| 1. Switch trigger | 8. Tighten | 15. Depth gauge |
| 2. Lock button | 9. Teeth | 16. Dust cup |
| 3. Reversing switch lever | 10. Protrusion | 17. Blow-out bulb |
| 4. Action mode changing knob | 11. Bit shank | 18. Chuck adapter |
| 5. Grip base | 12. Bit grease | 19. Keyless drill chuck |
| 6. Side grip | 13. Bit | 20. Sleeve |
| 7. Loosen | 14. Chuck cover | 21. Ring |

SPECIFICATIONS

Model	HR2230	
Capacities	Concrete	22 mm
	Core bit	54 mm
	Diamond core bit (dry type)	65 mm
	Steel	13 mm
	Wood	32 mm
No load speed (min ⁻¹)	0 -1,050	
Blows per minute	0 - 4,050	
Overall length	357 mm	
Net weight	2.6 kg	
Safety class	 /II	

- Due to our continuing program of research and development, the specifications herein are subject to change without notice.
- Specifications may differ from country to country.
- Weight according to EPTA-Procedure 01/2003

Intended use

ENE042-1

The tool is intended for hammer drilling and drilling in brick, concrete and stone.

It is also suitable for drilling without impact in wood, metal, ceramic and plastic.


Power supply

ENF002-1

The tool should be connected only to a power supply of the same voltage as indicated on the nameplate, and can only be operated on single-phase AC supply. They are double-insulated in accordance with European Standard and can, therefore, also be used from sockets without earth wire.

General Power Tool Safety Warnings

GEA010-1

 **WARNING** Read all safety warnings and all instructions. Failure to follow the warnings and instructions may result in electric shock, fire and/or serious injury.

Save all warnings and instructions for future reference.

ROTARY HAMMER SAFETY WARNINGS

GEB007-6

DO NOT let comfort or familiarity with product (gained from repeated use) replace strict adherence to safety

rules for the subject product. If you use this tool unsafely or incorrectly, you can suffer serious personal injury.

1. **Wear ear protectors.** Exposure to noise can cause hearing loss.
2. **Use auxiliary handle(s), if supplied with the tool.** Loss of control can cause personal injury.
3. **Hold power tool by insulated gripping surfaces, when performing an operation where the cutting accessory may contact hidden wiring or its own cord.** Cutting accessory contacting a "live" wire may make exposed metal parts of the power tool "live" and could give the operator an electric shock.
4. **Wear a hard hat (safety helmet), safety glasses and/or face shield. Ordinary eye or sun glasses are NOT safety glasses. It is also highly recommended that you wear a dust mask and thickly padded gloves.**
5. **Be sure the bit is secured in place before operation.**
6. **Under normal operation, the tool is designed to produce vibration. The screws can come loose easily, causing a breakdown or accident. Check tightness of screws carefully before operation.**
7. **In cold weather or when the tool has not been used for a long time, let the tool warm up for a while by operating it under no load. This will loosen up the lubrication. Without proper warm-up, hammering operation is difficult.**

8. **Always be sure you have a firm footing. Be sure no one is below when using the tool in high locations.**
9. **Hold the tool firmly with both hands.**
10. **Keep hands away from moving parts.**
11. **Do not leave the tool running. Operate the tool only when hand-held.**
12. **Do not point the tool at any one in the area when operating. The bit could fly out and injure someone seriously.**
13. **Do not touch the bit or parts close to the bit immediately after operation; they may be extremely hot and could burn your skin.**
14. **Some material contains chemicals which may be toxic. Take caution to prevent dust inhalation and skin contact. Follow material supplier safety data.**

SAVE THESE INSTRUCTIONS.

WARNING:

MISUSE or failure to follow the safety rules stated in this instruction manual may cause serious personal injury.

FUNCTIONAL DESCRIPTION

CAUTION:

- Always be sure that the tool is switched off and unplugged before adjusting or checking function on the tool.

Switch action (Fig. 1)

CAUTION:

- Before plugging in the tool, always check to see that the switch trigger actuates properly and returns to the "OFF" position when released.

To start the tool, simply pull the switch trigger. Tool speed is increased by increasing pressure on the switch trigger. Release the switch trigger to stop. For continuous operation, pull the switch trigger and then push in the lock button. To stop the tool from the locked position, pull the switch trigger fully, then release it.

Reversing switch action (Fig. 2)


CAUTION:


- Always check the direction of rotation before operation.
- Use the reversing switch only after the tool comes to a complete stop. Changing the direction of rotation before the tool stops may damage the tool.
- If the switch trigger can not be depressed, check to see that the reversing switch is fully set to position ◁ (A side) or ▷ (B side).

This tool has a reversing switch to change the direction of rotation. Move the reversing switch lever to the position ◁ (A side) for clockwise rotation or the position ▷ (B side) for counterclockwise rotation.

Selecting the action mode (Fig. 3)

This tool employs an action mode changing knob. Select one of the two modes suitable for your work needs by using this knob.

For rotation only, turn the knob so that the arrow on the knob points toward the  symbol on the tool body.

For rotation with hammering, turn the knob so that the arrow on the knob points toward the  symbol on the tool body.

CAUTION:

- Always set the knob fully to your desired mode symbol. If you operate the tool with the knob positioned halfway between the mode symbols, the tool may be damaged.
- Use the knob after the tool comes to a complete stop.

Torque limiter

The torque limiter will actuate when a certain torque level is reached. The motor will disengage from the output shaft. When this happens, the bit will stop turning.

CAUTION:

- As soon as the torque limiter actuates, switch off the tool immediately. This will help prevent premature wear of the tool.
- Bits such as hole saw, which tend to pinch or catch easily in the hole, are not appropriate for this tool. This is because they will cause the torque limiter to actuate too frequently.

ASSEMBLY

CAUTION:

- Always be sure that the tool is switched off and unplugged before carrying out any work on the tool.

Side grip (auxiliary handle) (Fig. 4)

CAUTION:

- Always use the side grip to ensure operating safety. Install the side grip so that the teeth on the grip fit in between the protrusions on the tool barrel. Then tighten the grip by turning clockwise at the desired position. It may be swung 360° so as to be secured at any position.

Bit grease

Coat the bit shank head beforehand with a small amount of bit grease (about 0.5 - 1 g).

This chuck lubrication assures smooth action and longer service life.

Installing or removing the bit (Fig. 5)

Clean the bit shank and apply bit grease before installing the bit. (Fig. 6)

Insert the bit into the tool. Turn the bit and push it in until it engages.

After installing, always make sure that the bit is securely held in place by trying to pull it out.

To remove the bit, pull the chuck cover down all the way and pull the bit out. (Fig. 7)

Depth gauge (Fig. 8)

The depth gauge is convenient for drilling holes of uniform depth. Loosen the side grip and insert the depth gauge into the hole in the side grip. Adjust the depth gauge to the desired depth and tighten the side grip.

NOTE:

- The depth gauge cannot be used at the position where the depth gauge strikes against the gear housing.

Dust cup (Fig. 9)

Use the dust cup to prevent dust from falling over the tool and on yourself when performing overhead drilling operations. Attach the dust cup to the bit as shown in the figure. The size of bits which the dust cup can be attached to is as follows.

	Bit diameter
Dust cup 5	6 mm - 14.5 mm
Dust cup 9	12 mm - 16 mm

OPERATION

Hammer drilling operation

Position the bit at the desired location for the hole, then pull the switch trigger. Do not force the tool. Light pressure gives best results. Keep the tool in position and prevent it from slipping away from the hole.

Do not apply more pressure when the hole becomes clogged with chips or particles. Instead, run the tool at an idle, then remove the bit partially from the hole. By repeating this several times, the hole will be cleaned out and normal drilling may be resumed.

CAUTION:

- There is a tremendous and sudden twisting force exerted on the tool/bit at the time of hole breakthrough, when the hole becomes clogged with chips and particles, or when striking reinforcing rods embedded in the concrete. Always use the side grip (auxiliary handle) and firmly hold the tool by both side grip and switch handle during operations. Failure to do so may result in the loss of control of the tool and potentially severe injury.

NOTE:

Eccentricity in the bit rotation may occur while operating the tool with no load. The tool automatically centers itself during operation. This does not affect the drilling precision.

Blow-out bulb (optional accessory)

(Fig. 10)

After drilling the hole, use the blow-out bulb to clean the dust out of the hole.

Drilling in wood or metal (Fig. 11 & 12)

Use the optional drill chuck assembly. When installing it, refer to "Installing or removing drill bit" described on the previous page.

Hold the ring and turn the sleeve counterclockwise to open the chuck jaws. Place the bit in the chuck as far as it will go. Hold the ring firmly and turn the sleeve clockwise to tighten the chuck.


To remove the bit, hold the ring and turn the sleeve counterclockwise. Set the action mode changing knob to "rotation only".

You can drill up to 13 mm diameter in metal and up to 32 mm diameter in wood.

CAUTION:

- Never use "rotation with hammering" when the drill chuck assembly is installed on the tool. The drill chuck assembly may be damaged.

Also, the drill chuck will come off when reversing the tool.

- Pressing excessively on the tool will not speed up the drilling. In fact, this excessive pressure will only serve to damage the tip of your bit, decrease the tool performance and shorten the service life of the tool.
- There is a tremendous twisting force exerted on the tool/bit at the time of hole breakthrough. Hold the tool firmly and exert care when the bit begins to break through the workpiece.
- A stuck bit can be removed simply by setting the reversing switch to reverse rotation in order to back out. However, the tool may back out abruptly if you do not hold it firmly.
- Always secure small workpieces in a vise or similar hold-down device.
- When performing diamond core drilling operations, always set the change lever to the  position to use "rotation only" action. If performing diamond core drilling operations using "rotation with hammering" action, the diamond core bit may be damaged.

MAINTENANCE

CAUTION:

- Always be sure that the tool is switched off and unplugged before attempting to perform inspection or maintenance.

To maintain product SAFETY and RELIABILITY, repairs, carbon brush inspection and replacement, any other maintenance or adjustment should be performed by Makita Authorized Service Centers, always using Makita replacement parts.

ACCESSORIES

CAUTION:

- These accessories or attachments are recommended for use with your Makita tool specified in this manual. The use of any other accessories or attachments might present a risk of injury to persons. Only use accessory or attachment for its stated purpose.

If you need any assistance for more details regarding these accessories, ask your local Makita Service Center.

- SDS-Plus Carbide-tipped bits
- Core bit
- Diamond core bit
- Drill chuck assembly
- Drill chuck S13
- Chuck adapter
- Chuck key S13
- Bit grease
- Side grip
- Depth gauge
- Blow-out bulb
- Dust cup
- Dust extractor attachment
- Safety goggles
- Plastic carrying case
- Keyless drill chuck

Noise

ENG102-3

The typical A-weighted noise level determined according to EN60745:

Sound pressure level (L_{pA}): 89 dB (A)

Sound power level (L_{WA}): 100 dB (A)

Uncertainty (K): 3 dB (A)

Wear ear protection.

Vibration

ENG217-2

The vibration total value (tri-axial vector sum) determined according to EN60745:

Work mode: hammer drilling into concrete

Vibration emission ($a_{h,HD}$): 15.0 m/s²

Uncertainty (K): 1.5 m/s²

ENG302-2

Work mode: drilling into metal

Vibration emission ($a_{h,D}$): 2.5 m/s² or less

Uncertainty (K): 1.5 m/s²

ENG901-1

- The declared vibration emission value has been measured in accordance with the standard test method and may be used for comparing one tool with another.
- The declared vibration emission value may also be used in a preliminary assessment of exposure.

⚠ WARNING:

- The vibration emission during actual use of the power tool can differ from the declared emission value depending on the ways in which the tool is used.
- Be sure to identify safety measures to protect the operator that are based on an estimation of exposure in the actual conditions of use (taking account of all parts of the operating cycle such as the times when the tool is switched off and when it is running idle in addition to the trigger time).

For European countries only**EC Declaration of Conformity**

ENH101-13

We Makita Corporation as the responsible manufacturer declare that the following Makita machine(s):

Designation of Machine: Rotary Hammer

Model No./ Type: HR2230

are of series production and

Conforms to the following European Directives:

98/37/EC until 28th December 2009 and then with

2006/42/EC from 29th December 2009

And are manufactured in accordance with the following standards or standardised documents:

EN60745

The technical documentation is kept by our authorised representative in Europe who is:

Makita International Europe Ltd.,

Michigan, Drive, Tongwell,

Milton Keynes, MK15 8JD, England

30th January 2009



Tomoyasu Kato
Director


Makita Corporation
3-11-8, Sumiyoshi-cho,
Anjo, Aichi, JAPAN

FRANÇAIS (Instructions d'origine)

Descriptif

- | | | |
|---------------------------------|--------------------------|------------------------------|
| 1. Gâchette | 8. Serrer | 15. Jauge de profondeur |
| 2. Bouton de verrouillage | 9. Dents | 16. Collecteur de poussières |
| 3. Levier de l'inverseur | 10. Partie saillante | 17. Poire soufflante |
| 4. Bouton de changement de mode | 11. Arbre du foret | 18. Adaptateur de mandrin |
| 5. Base de la poignée | 12. Graisse à foret | 19. Mandrin autoserrant |
| 6. Poignée latérale | 13. Foret | 20. Manchon |
| 7. Desserrer | 14. Couvercle du mandrin | 21. Bague |

CARACTERISTIQUES

Modèle		HR2230
Capacités	Béton	22 mm
	Trépan carottier	54 mm
	Trépan diamanté (type sec)	65 mm
	Acier	13 mm
	Bois	32 mm
Vitesse à vide (min ⁻¹)		0 - 1 050
Frappes par minute		0 - 4 050
Longueur totale		357 mm
Poids net		2,6 kg
Niveau de sécurité		 /II

- Étant donné l'évolution constante de notre programme de recherche et de développement, les caractéristiques contenues dans ce manuel sont sujettes à modification sans préavis.
- Les spécifications peuvent varier d'un pays à l'autre.
- Poids conforme à la procédure EPTA 01/2003

Utilisations

ENE042-1

L'outil est conçu pour le perçage avec impacts et le perçage dans la brique, le béton et la pierre.

Il convient également au perçage sans impacts dans le bois, le métal, la céramique et le plastique.


Alimentation

ENF002-1

L'outil ne doit être raccordé qu'à une alimentation de la même tension que celle qui figure sur la plaque signalétique, et il ne peut fonctionner que sur un courant secteur monophasé. Réalisé avec une double isolation, il est conforme à la réglementation européenne et peut de ce fait être alimenté sans mise à la terre.

Consignes de sécurité générales des outils électriques

GEA010-1

 **AVERTISSEMENT** Veuillez lire toutes les consignes de sécurité et les instructions. Il y a un risque de choc électrique, d'incendie et/ou de blessure grave si les consignes et les instructions ne sont pas toutes respectées.

Conservez toutes les consignes et instructions pour référence ultérieure.

CONSIGNES DE SÉCURITÉ DU MARTEAU ROTATIF

GEB007-6

NE vous laissez PAS tromper (au fil d'une utilisation répétée) par un sentiment d'aisance et de familiarité avec le produit, en négligeant le respect rigoureux des consignes de sécurité qui accompagnent l'outil. En utilisant cet outil dans des conditions dangereuses ou incorrectes, vous vous exposez à un risque de blessures graves.

1. **Portez des protections auditives.** L'exposition au bruit peut entraîner la surdité.
2. **Utilisez la/les poignée(s) auxiliaire(s) de l'outil.** La perte de maîtrise comporte un risque de blessures.
3. **Tenez l'outil à l'aide des surfaces de prise isolées lorsque vous exécutez une opération susceptible de mettre en contact l'accessoire de coupe et les fils cachés ou le propre cordon de l'outil.** Il est possible que le contact avec un fil sous tension mette les parties métalliques exposées de l'outil sous tension, risquant ainsi de provoquer un choc électrique chez l'utilisateur.
4. **Portez un casque de protection (casque de sécurité), des lunettes de sécurité et/ou un écran facial.** Les lunettes ordinaires et les lunettes de soleil ne sont PAS des lunettes de sécurité. Nous vous recommandons également de porter un masque anti-poussière et des gants très épais.
5. **Assurez-vous que le foret est bien serré avant d'utiliser l'outil.**

6. **Même en conditions normales d'utilisation, l'outil produit des vibrations. Les vis peuvent ainsi se relâcher facilement, ce qui risque d'entraîner une rupture de pièce ou un accident. Avant l'utilisation, vérifiez avec soin que les vis sont bien serrées.**
7. **À basse température ou lorsque l'outil est resté inutilisé pendant une période prolongée, laissez-le réchauffer un instant en le faisant fonctionner à vide. Cela permettra au lubrifiant de réchauffer. Le martèlement sera difficile si l'outil n'est pas bien réchauffé.**
8. **Veillez à toujours avoir une bonne position d'équilibre. Assurez-vous que personne ne se trouve sous l'outil lorsque vous l'utilisez en position élevée.**
9. **Tenez l'outil fermement à deux mains.**
10. **Gardez les mains éloignées des pièces en mouvement.**
11. **N'abandonnez pas l'outil alors qu'il tourne. Ne faites fonctionner l'outil qu'une fois que vous l'avez bien en main.**
12. **Pendant l'utilisation de l'outil, ne le pointez vers personne dans la zone de travail. Vous risqueriez de blesser gravement quelqu'un en cas d'éjection du foret.**
13. **Ne touchez ni le foret ni les pièces adjacentes immédiatement après l'utilisation de l'outil. Ils risquent d'être extrêmement chauds et de vous brûler gravement la peau.**
14. **Certains matériaux contiennent des produits chimiques qui peuvent être toxiques. Veillez à éviter toute inhalation de poussière et tout contact avec la peau. Respectez les instructions de sécurité du fournisseur du matériel.**

CONSERVEZ CES INSTRUCTIONS.

AVERTISSEMENT :

Une UTILISATION INCORRECTE de l'outil ou un non-respect des consignes de sécurité indiquées dans ce manuel d'instructions peuvent entraîner des blessures graves.

DESCRIPTION DU FONCTIONNEMENT

ATTENTION :

- Assurez-vous toujours que l'outil est éteint et débranché avant de l'ajuster ou de vérifier son fonctionnement.

Interrupteur (Fig. 1)

ATTENTION :

- Avant de brancher l'outil, vérifiez toujours que la gâchette fonctionne correctement et revient en position d'arrêt (« OFF ») lorsqu'elle est relâchée.

Pour mettre l'outil en marche, appuyez simplement sur la gâchette. La vitesse de l'outil augmente à mesure que l'on accroît la pression exercée sur la gâchette. Pour l'arrêter, relâchez la gâchette. Pour un fonctionnement continu, appuyez sur la gâchette puis enfoncez le bouton de

verrouillage. Pour arrêter l'outil alors qu'il est en position verrouillée, appuyez à fond sur la gâchette puis relâchez-la.

Marche arrière (Fig. 2)


ATTENTION :


- Vérifiez toujours le sens de rotation avant de mettre l'outil en marche.
- N'actionnez l'inverseur qu'une fois l'outil complètement arrêté. Si vous changez le sens de rotation de l'outil avant l'arrêt de l'outil, vous risquez de l'endommager.
- Si la gâchette ne peut pas être relâchée, vérifiez si l'inverseur est bien bloqué en position ◁ (A) ou ▷ (B).

L'outil possède un inverseur qui permet de changer le sens de rotation. Placez l'inverseur en position A ◁ pour une rotation vers la droite, ou en position B ▷ pour une rotation vers la gauche.

Sélection du mode de fonctionnement (Fig. 3)

Cet outil est doté d'un bouton de changement de mode. Utilisez-le pour sélectionner, parmi les deux modes disponibles, celui qui convient au travail à exécuter.

Pour la rotation uniquement, tournez le bouton de sorte que sa flèche pointe vers le symbole  sur le corps de l'outil.

Pour la rotation avec impacts, tournez le bouton de sorte que sa flèche pointe vers le symbole  sur le corps de l'outil.

ATTENTION :

- Placez toujours le bouton avec précision sur l'indication du mode désiré. Si vous utilisez l'outil alors que le bouton se trouve à mi-course entre deux symboles de mode, l'outil risque de subir des dommages.
- N'actionnez le bouton qu'une fois l'outil complètement arrêté.

Limiteur de couple

Le limiteur de couple s'active lorsqu'un niveau de couple donné est atteint. Le moteur débrayera alors de l'arbre de sortie. Lorsque cela se produit, le foret cesse de tourner.

ATTENTION :

- Éteignez l'outil immédiatement lorsque le limiteur de couple s'active. Cela aidera à prévenir l'usure trop rapide de l'outil.
- Les mèches comme la scie à trous qui se bloquent ou se coincent fréquemment dans le trou ne sont pas indiquées pour cet outil. En effet, l'actionnement du limiteur de moment de torsion serait trop fréquent.

ASSEMBLAGE

ATTENTION :

- Avant d'effectuer toute intervention sur l'outil, assurez-vous toujours qu'il est éteint et débranché.

Poignée latérale (poignée auxiliaire) (Fig. 4)

ATTENTION :

- Pour une utilisation sûre, utilisez toujours la poignée latérale.

Installez la poignée latérale de sorte que les dents de la poignée pénètrent entre les saillies du barillet de l'outil. Serrez ensuite la poignée en la tournant dans le sens des aiguilles d'une montre jusqu'à la position désirée. Elle peut être fixée sur n'importe quelle position puisqu'elle pivote sur 360°.

Graisse à foret

Enduisez à l'avance la tête de l'arbre du foret d'une petite quantité de graisse à foret (environ 0,5 à 1 g).

Cette lubrification du mandrin assure un fonctionnement fluide et une durée de vie plus longue.

Installation ou retrait de la fraise (Fig. 5)

Nettoyez l'arbre du foret et appliquez de la graisse à foret avant d'installer le foret. (Fig. 6)

Insérez le foret dans l'outil. Tournez le foret et enfoncez-le jusqu'à ce qu'il s'engage.

Après l'installation, tirez toujours sur le foret pour vous assurer qu'il demeure fermement en place.

Pour retirer le foret, tirez le couvercle du mandrin complètement vers le bas puis tirez sur le foret. (Fig. 7)

Jauge de profondeur (Fig. 8)

La tige de profondeur est pratique pour percer des trous de même profondeur. Desserrez la poignée latérale et insérez la jauge de profondeur dans l'orifice de la poignée latérale. Réglez la jauge de profondeur sur la profondeur désirée et serrez la poignée latérale.

REMARQUE :

- Il n'est pas possible d'utiliser la jauge de profondeur sur la position où elle frappe contre le carter d'engrenages.

Collecteur de poussières (Fig. 9)

Utilisez le collecteur de poussières pour éviter que les poussières ne tombent de l'outil et sur vous lors des travaux de perçage au-dessus de la tête. Fixez le collecteur de poussières au foret de la façon indiquée sur la figure. Les tailles de foret qui permettent de fixer le collecteur de poussières sont les suivantes.

	Diamètre du foret
Collecteur de poussières 5	6 mm à 14,5 mm
Collecteur de poussières 9	12 mm à 16 mm

UTILISATION

Perçage à percussion

Placez le foret au point où vous désirez percer le trou, puis appuyez sur la gâchette. Ne forcez pas l'outil. Vous obtiendrez de meilleurs résultats avec une légère pression. Gardez l'outil dans cette position et évitez qu'il ne glisse à l'extérieur du trou.

N'appliquez pas plus de pression lorsque le trou se bouche de copeaux ou particules. Faites plutôt tourner l'outil au ralenti, puis retirez partiellement le foret du trou. Vous pourrez poursuivre le perçage de façon normale après avoir répété quelques fois cette opération.

ATTENTION :

- Une force de torsion énorme et soudaine s'exerce sur l'outil et le foret lors du perçage du trou, lorsque ce

dernier est bouché par des copeaux et particules ou lorsque le foret frappe contre les armatures d'une structure en béton armé. Utilisez toujours la poignée latérale (poignée auxiliaire) et tenez fermement l'outil par la poignée latérale et la poignée de la gâchette pendant l'utilisation. Autrement vous risquez de perdre la maîtrise de l'outil et vous courez un risque de blessure grave.

REMARQUE :

Il se peut que le foret tourne de manière excentrique lorsque l'outil fonctionne à vide. L'outil se recentre de lui-même pendant l'opération. Cela n'affecte pas la précision du perçage.

Poire soufflante (accessoire en option) (Fig. 10)

Une fois le trou percé, utilisez la poire soufflante pour retirer la poussière du trou.


Perçage dans le bois ou le métal (Fig. 11 et 12)

Utilisez l'ensemble mandrin en option. Pour l'installer, reportez-vous à la procédure « Installation ou retrait du foret », décrite à la page précédente.

Tenez la bague et tournez le manchon vers la gauche pour ouvrir les mâchoires du mandrin. Insérez le foret à fond dans le mandrin. Tenez la bague fermement et tournez le manchon vers la droite pour serrer le mandrin. Pour retirer le foret, tenez la bague et tournez le manchon vers la gauche. Réglez le bouton de changement de mode sur le symbole « rotation uniquement ».

Vous pouvez percer avec un diamètre maximal de 13 mm dans le métal et de 32 mm dans le bois.

ATTENTION :

- N'utilisez jamais le mode « rotation avec impacts » lorsque l'ensemble mandrin est installé sur l'outil. Vous risqueriez d'endommager l'ensemble mandrin. De plus, le mandrin se détachera si vous retournez l'outil.
- Une pression excessive sur l'outil n'accélère pas le perçage. En fait, une pression excessive endommagera le bout du foret, réduira l'efficacité de l'outil et raccourcira sa durée de vie.
- Une force énorme s'exerce sur l'outil et le foret lorsque ce dernier sort par la face opposée de la pièce. Tenez l'outil fermement et faites bien attention lorsque le foret se met à sortir par la face opposée de la pièce.
- Un foret coincé peut être retiré en réglant simplement l'inverseur sur la rotation inverse pour faire marche arrière. L'outil peut toutefois faire brusquement marche arrière si vous ne le tenez pas fermement.
- Immobilisez toujours les petites pièces à travailler dans un étau ou un dispositif de fixation similaire.
- Lors du perçage avec un trépan diamanté, positionnez toujours le levier de réglage sur  la fonction « rotation uniquement ». En cas d'utilisation de la fonction « rotation avec impacts » pendant le perçage avec un trépan diamanté, ce dernier risque d'être endommagé.

ENTRETIEN

ATTENTION :

- Assurez-vous toujours que l'outil est éteint et débranché avant d'effectuer tout travail d'inspection ou d'entretien.

Pour maintenir la SÉCURITÉ et la FIABILITÉ du produit, les réparations, l'inspection et le remplacement des charbons, et tout autre travail d'entretien ou de réglage doivent être effectués dans un centre de service après-vente Makita agréé, exclusivement avec des pièces de rechange Makita.

ACCESSOIRES

ATTENTION :

- Ces accessoires ou pièces complémentaires sont recommandés pour l'utilisation avec l'outil Makita spécifié dans ce manuel. L'utilisation de tout autre accessoire ou pièce complémentaire comporte un risque de blessures. Utilisez uniquement l'accessoire ou la pièce complémentaire dans le but spécifié.

Pour obtenir plus de détails sur ces accessoires, contactez un Centre de service après-vente local Makita.

- Forets à pointe de carbure SDS-Plus
- Trépan carottier
- Trépan diamanté
- Ensemble mandrin
- Mandrin S13
- Adaptateur de mandrin
- Clé de mandrin S13
- Graisse à forêt
- Poignée latérale
- Jauge de profondeur
- Poire soufflante
- Collecteur de poussières
- Fixation d'extracteur de poussières
- Lunettes de sécurité
- Étui en plastique
- Mandrin autoserrant

Bruit

ENG102-3

Les niveaux de bruit pondéré A typiques ont été mesurés selon la norme EN60745 :

Niveau de pression sonore (L_{pA}) : 89 dB (A)

Niveau de puissance sonore (L_{WA}) : 100 dB (A)

Incertitude (K) : 3 dB (A)

Portez des protections auditives.

Vibration

ENG217-2

La valeur totale de vibration (somme du vecteur triaxial) déterminée selon la norme EN60745 :

Mode de fonctionnement : perçage à percussion dans le béton

Émission de vibrations ($a_{h,HD}$) : 15,0 m/s²

Incertitude (K) : 1,5 m/s²

ENG302-2

Mode de fonctionnement : perçage du métal

Emission de vibrations ($a_{h,D}$) : 2,5 m/s² ou moins

Incertitude (K) : 1,5 m/s²

ENG901-1

- La valeur de l'émission des vibrations déclarée a été mesurée conformément à la méthode de test standard

et peut être utilisée afin de comparer des outils entre eux.

- La valeur de l'émission des vibrations déclarée peut également être utilisée lors d'une évaluation préliminaire de l'exposition.

⚠ AVERTISSEMENT :

- Selon la manière dont l'outil est utilisé, il est possible que l'émission des vibrations pendant l'utilisation réelle de l'outil électrique diffère de la valeur de l'émission déclarée.
- Veillez à identifier les mesures de sécurité destinées à protéger l'opérateur et établies en fonction de l'estimation de l'exposition dans les conditions réelles d'utilisation (en prenant en compte toutes les étapes du cycle de fonctionnement, telles que les périodes de mise hors tension de l'outil, les périodes de fonctionnement au ralenti et les périodes de mise en route).

Pour les pays européens uniquement

Déclaration de conformité CE ENH101-13

Nous, Makita Corporation, en tant que fabricant responsable, déclarons que les machines Makita suivantes :

Nom de la machine : Perforateur

N° de modèle/Type : HR2230

sont fabriquées en série et

sont conformes aux directives européennes suivantes :

98/37/CE jusqu'au 28 décembre 2009 puis, à partir du 29 décembre 2009, à la 2006/42/CE

et sont produites conformément aux normes ou documents de normalisation suivants :

EN60745

La documentation technique est disponible auprès de notre représentant en Europe qui est :

Makita International Europe Ltd.,
Michigan, Drive, Tongwell,
Milton Keynes, MK15 8JD, Angleterre

30 janvier 2009



Tomoyasu Kato
Directeur

Makita Corporation
3-11-8, Sumiyoshi-cho,
Anjo, Aichi, JAPAN

DEUTSCH (Originalanweisungen)

Erklärung der Gesamtdarstellung

- | | | |
|---|--------------------------|-------------------------------|
| 1. Ein/Aus-Schalter | 8. Festziehen | 16. Staubschutzkappe |
| 2. Arretiertaste | 9. Zähne | 17. Ausblasvorrichtung |
| 3. Umschalthebel | 10. Vorsprung | 18. Bohrfutteradapter |
| 4. Drehknopf zum Wechsel der Aktionsbetriebsart | 11. Aufnahmeschaft | 19. Schlüsselloses Bohrfutter |
| 5. Grifffläche | 12. Bohrer-/Meißelfett | 20. Kranz |
| 6. Seitengriff | 13. Einsatz | 21. Ring |
| 7. Lösen | 14. Werkzeugverriegelung | |
| | 15. Tiefenanschlag | |

TECHNISCHE ANGABEN

Modell		HR2230
Max. Bohrdurchmesser	Beton	22 mm
	Bohrkrone	54 mm
	Diamantbohrkrone (Trockentyp)	65 mm
	Stahl	13 mm
	Holz	32 mm
Leerlaufgeschwindigkeit (min ⁻¹)		0 -1.050
Schläge pro Minute		0 - 4.050
Gesamtlänge		357 mm
Nettogewicht		2,6 kg
Sicherheitsklasse		 /II

- Aufgrund unserer fortschreitenden Forschungen und Entwicklungen sind Änderungen an den hier wiedergegebenen Angaben ohne Vorankündigung vorbehalten.
- Technische Daten können in den einzelnen Ländern unterschiedlich sein.
- Gewicht entsprechend EPTA-Verfahren 01/2003

Verwendungszweck ENE042-1


Das Werkzeug ist zum Schlagbohren und Bohren in Ziegelstein, Beton und Stein vorgesehen.

Es eignet sich auch für normales Bohren in Holz, Metall, Keramik und Kunststoff.

Stromversorgung ENF002-1

Das Werkzeug darf nur an Stromquellen mit der auf dem Typenschild angegebenen Spannung und einphasigem Wechselstrom angeschlossen werden. Aufgrund der Doppelisolierung nach europäischem Standard kann das Werkzeug auch an Steckdosen ohne Erdungsleiter betrieben werden.

Allgemeine Sicherheitshinweise für Elektrowerkzeuge GEA010-1

 **WARNUNG** Lesen Sie alle Sicherheitshinweise und Anweisungen sorgfältig durch. Wenn die Hinweise und Anweisungen nicht beachtet werden, besteht die Gefahr eines Stromschlags, Brands und/oder das Risiko von ernsthaften Verletzungen.

Bewahren Sie alle Hinweise und Anweisungen zur späteren Referenz gut auf.

SICHERHEITSGESETZ FÜR BOHRHAMMER

GEB007-6

Lassen Sie sich NIE durch Bequemlichkeit oder (aus fortwährendem Gebrauch gewonnener) Vertrautheit mit dem Werkzeug dazu verleiten, die Sicherheitsregeln für das Werkzeug zu missachten. Wenn Sie dieses Werkzeug fahrlässig oder nicht ordnungsgemäß verwenden, können Sie sich schwer verletzen.

1. **Tragen Sie Gehörschutz.** Lärm ausgesetzt zu sein, kann zu Hörverlust führen.
2. **Verwenden Sie die mit dem Werkzeug gelieferten Zusatzgriffe.** Ein Verlust der Kontrolle über das Werkzeug kann zu Verletzungen führen.
3. **Halten Sie das Elektrowerkzeug an den isolierten Griffflächen, wenn Sie unter Bedingungen arbeiten, bei denen das Schneidwerkzeug verborgene Verkabelung oder das eigene Kabel berühren kann.** Bei Kontakt des Trennwerkzeugs mit einem Strom führenden Kabel wird der Strom an die Metallteile des Elektrowerkzeugs und dadurch an den Bediener weitergeleitet, und der Bediener erleidet einen Stromschlag.
4. **Tragen Sie einen Sicherheitshelm, eine Sicherheitsschutzbrille und/oder Gesichtsschutz. Gewöhnliche Brillen und Sonnenbrillen sind KEINE Sicherheitsbrillen oder Arbeitsschutzbrillen. Auch das Tragen dick**

gefütterter Handschuhe und einer Staubmaske wird empfohlen.

- Überprüfen Sie vor der Inbetriebnahme, ob der Bohrmeißel gesichert ist.
- Unter normalen Betriebsbedingungen erzeugt das Werkzeug Vibrationen. Hierdurch können sich Schrauben lösen, was zu Aus- und Unfällen führen kann. Überprüfen Sie vor der Arbeit sorgsam den festen Sitz der Schrauben.
- Lassen Sie das Gerät bei kaltem Wetter oder wenn das Werkzeug längere Zeit nicht benutzt wurde, eine Zeit lang ohne Last warm laufen. Hierdurch wird die Schmierung gelockert. Ohne ordentliches Aufwärmen ist der Betrieb des Hammers schwierig.
- Achten Sie jederzeit auf sicheren und festen Stand. Achten Sie darauf, dass sich niemand unter dem Standort des Bedieners befindet, wenn das Werkzeug an erhöhten Orten verwendet wird.
- Halten Sie das Werkzeug mit beiden Händen fest.
- Halten Sie Ihre Hände von den beweglichen Teilen fern.
- Lassen Sie das Werkzeug nicht unbeaufsichtigt eingeschaltet. Das Werkzeug darf nur dann eingeschaltet werden, wenn es festgehalten wird.
- Zeigen Sie mit dem Werkzeug während des Betriebs nicht auf Personen in Ihrer Umgebung. Der Bohrmeißel könnte sich lösen und zu schweren Verletzungen führen.
- Berühren Sie kurz nach dem Betrieb den Bohrmeißel oder ihm nahe liegende Teile nicht. Diese können extrem heiß sein und Verbrennungen verursachen.
- Manche Materialien enthalten möglicherweise giftige Chemikalien. Vermeiden Sie das Einatmen von Staub und den Hautkontakt mit diesen Materialien. Befolgen Sie die Sicherheitshinweise des Materialherstellers.

BEWAHREN SIE DIESE ANLEITUNG SORGFÄLTIG AUF.

WARNUNG:

MISSBRAUCH oder Missachtung der in diesem Handbuch enthaltenen Sicherheitshinweise können zu schweren Personenschäden führen.

FUNKTIONSBESCHREIBUNG

ACHTUNG:

- Schalten Sie das Werkzeug stets aus und ziehen Sie den Stecker, bevor Sie Einstellungen oder eine Funktionsprüfung des Werkzeugs vornehmen.

Bedienung des Schalters (Abb. 1)

ACHTUNG:

- Achten Sie vor dem Einstecken des Werkzeug-Netzsteckers darauf, dass sich der Ein/Aus-Schalter korrekt bedienen lässt und beim Loslassen in die Position „OFF“ (AUS) zurückkehrt.

Betätigen Sie zum Starten des Werkzeugs einfach den Ein/Aus-Schalter. Die Geschwindigkeit des Werkzeugs wird durch erhöhten Druck auf den Ein/Aus-Schalter gesteigert. Lassen Sie den Ein/Aus-Schalter los, um das

Werkzeug auszuschalten. Betätigen Sie für einen Dauerbetrieb den Ein/Aus-Schalter und drücken Sie dann die Arretiertaste hinein. Zur Aufhebung der Arretierung müssen Sie den Ein/Aus-Schalter bis zum Anschlag betätigen und anschließend loslassen.

Bedienung des Umschalters (Abb. 2)


ACHTUNG:

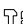
- Überprüfen Sie vor jedem Betrieb immer die Drehrichtung.
- Der Umschalter darf nur betätigt werden, wenn das Werkzeug ganz angehalten wurde. Wenn Sie die Drehrichtung ändern, solange das Werkzeug noch läuft, kann es beschädigt werden.
- Lässt sich der Ein/Aus-Schalter nicht drücken, überprüfen Sie, dass der Umschalter korrekt auf die Stellung ◁ (Seite A) beziehungsweise ▷ (Seite B) eingestellt ist.

Dieses Werkzeug verfügt über einen Umschalter, mit dem die Drehrichtung geändert werden kann. Stellen Sie für eine Drehbewegung im Uhrzeigersinn den Umschalthebel in die Stellung ◁ (Seite A) und für eine Drehbewegung gegen den Uhrzeigersinn in die Stellung ▷ (Seite B).

Auswahl der Aktionsbetriebsart (Abb. 3)

Dieses Werkzeug verfügt über einen Drehknopf zum Wechsel der Aktionsbetriebsart. Mit Hilfe dieses Drehknopfes können Sie die Betriebsart auswählen, die sich für Ihre Arbeitsanforderungen am besten eignet. Es stehen zwei Betriebsarten zur Auswahl.

Für eine reine Drehbewegung müssen Sie den Drehknopf so drehen, dass der Pfeil auf dem Drehknopf auf das Symbol  am Werkzeugkörper zeigt.

Zum Schlagbohren müssen Sie den Drehknopf so drehen, dass der Pfeil auf dem Drehknopf auf das Symbol  am Werkzeugkörper zeigt.

ACHTUNG:

- Stellen Sie den Drehknopf immer richtig auf das Symbol für die gewünschte Betriebsart ein. Wenn Sie das Werkzeug betreiben und sich der Drehknopf zwischen den einzelnen Betriebsartensymbolen befindet, kann das Werkzeug beschädigt werden.
- Betätigen Sie den Drehknopf erst, wenn das Werkzeug ganz angehalten wurde.

Drehmomentbegrenzung

Die Drehmomentbegrenzung schaltet sich ein, wenn eine bestimmte Drehmomentstufe erreicht ist. Der Motor wird von der Antriebswelle ausgekuppelt. In diesem Fall kommt der Einsatz zum Stillstand.

ACHTUNG:

- Wenn sich die Drehmomentbegrenzung einschaltet, muss das Werkzeug sofort ausgeschaltet werden. Auf diese Weise wird ein vorzeitiger Verschleiß des Werkzeugs vermieden.
- Einsätze, wie z. B. eine Lochsäge, die zum Klemmen oder Hängenbleiben in der Bohrung neigen, sind für diese Maschine nicht geeignet, weil sie eine zu häufige Aktivierung des Drehmomentbegrenzers verursachen.

MONTAGE

ACHTUNG:

- Schalten Sie das Werkzeug stets aus und ziehen Sie den Stecker, bevor Sie irgendwelche Arbeiten am Werkzeug durchführen.

Seitengriff (Zusatzgriff) (Abb. 4)

ACHTUNG:

- Verwenden Sie stets den Seitengriff, um die Betriebssicherheit zu gewährleisten.
- Montieren Sie den Seitengriff so, dass die Zähne an der Grifffläche zwischen die Vorsprünge an der Werkzeugtrommel passen. Ziehen Sie anschließend den Griff an, indem Sie ihn an der gewünschten Position im Uhrzeigersinn drehen. Da er um 360° gedreht werden kann, kann er an jeder beliebigen Stelle befestigt werden.

Bohrer-/Meißelfett

Schmieren Sie den Aufnahmeschaftkopf im Vorfeld mit etwas Bohrerfett (ca. 0,5 - 1 g).

Diese Schmierung des Bohrfutters garantiert einen reibungslosen Betrieb und eine längere Lebensdauer.

Montage und Demontage des Einsatzes (Abb. 5)

Reinigen Sie den Aufnahmeschaft und schmieren Sie ihn vor der Montage des Einsatzes mit ein wenig Fett. (Abb. 6)

Montieren Sie den Einsatz am Werkzeug. Drehen Sie den Einsatz und drücken Sie ihn hinein, bis er einrastet.

Überprüfen Sie nach der Montage stets, ob der Einsatz einwandfrei sitzt, indem Sie versuchen, ihn herausziehen. Ziehen Sie die Werkzeugverriegelung zum Entfernen des Einsatzes ganz nach unten und ziehen Sie den Einsatz heraus. (Abb. 7)

Tiefenanschlag (Abb. 8)

Der Tiefenanschlag ist beim Bohren von Löchern mit einer einheitlichen Bohrtiefe hilfreich. Lockern Sie den Seitengriff und setzen Sie den Tiefenanschlag in die Öffnung am Seitengriff. Stellen Sie den Tiefenanschlag auf die gewünschte Tiefe ein und ziehen Sie den Seitengriff an.

HINWEIS:

- Der Tiefenanschlag kann nicht an der Stelle verwendet werden, an der er gegen das Getriebegehäuse schlägt.

Staubschutzkappe (Abb. 9)

Verwenden Sie bei Überkopfbohrarbeiten die Staubschutzkappe, damit kein Staub auf das Werkzeug oder Sie selbst fällt. Befestigen Sie die Staubschutzkappe wie in der Abbildung dargestellt auf dem Einsatz. Die Staubschutzkappe kann für folgende Bohreinsatzgrößen verwendet werden.

	Einsatzdurchmesser
Staubschutzkappe 5	6 mm - 14,5 mm
Staubschutzkappe 9	12 mm - 16 mm

BETRIEB

Schlagbohrbetrieb

Setzen Sie den Einsatz auf die gewünschte Position für die Bohrung, und ziehen Sie dann den Ein/Aus-Schalter. Üben Sie keinen übermäßigen Druck auf das Werkzeug aus. Wenn Sie nur leichten Druck ausüben, erzielen Sie die besten Ergebnisse. Halten Sie das Werkzeug in Position und achten Sie darauf, dass es nicht von der Bohrung abrutscht.

Verstärken Sie den Druck nicht, wenn die Bohrung durch Holzspäne oder -partikel verstopft ist. Führen Sie stattdessen das Werkzeug im Leerlauf aus und entfernen Sie dann den Einsatz teilweise aus der Bohrung. Wenn Sie diesen Vorgang mehrmals wiederholen, wird die Bohrung gesäubert und Sie können den normalen Bohrvorgang fortsetzen.

ACHTUNG:

- Beim Lochdurchschlag, wenn die Bohrung durch Holzspäne und -partikel verstopft ist oder wenn das Werkzeug auf Verstärkungsstangen im Beton trifft, wirken enorme und abrupte Drehkräfte auf das Werkzeug bzw. den Einsatz. Verwenden Sie stets den Seitengriff (Zusatzgriff) und halten Sie während der Arbeit das Werkzeug am Seitengriff und am Schaltergriff fest. Ansonsten kann es sein, dass Sie die Kontrolle über das Werkzeug verlieren und sich schwer verletzen.

HINWEIS:

Es kann zu einer Rundlaufabweichung in der Bohrerdrehung kommen, wenn das Werkzeug mit Nulllast betrieben wird. Während des Betriebs zentriert sich das Werkzeug automatisch. Dies hat keinen Einfluss auf die Bohrgenauigkeit.

Ausblasvorrichtung (optionales Zubehör) (Abb. 10)

Wenn Sie das Loch gebohrt haben, entfernen Sie mit Hilfe der Ausblasvorrichtung den Staub aus der Bohrung.

Bohren in Holz oder Metall (Abb. 11 und 12)


Verwenden Sie den optionalen Bohrfuttersatz. Lesen Sie zu dessen Montage den Abschnitt „Montage und Demontage des Einsatzes“ auf der vorherigen Seite.

Halten Sie den Ring fest und drehen Sie den Kranz gegen den Uhrzeigersinn, um die Spannfutterbacken zu öffnen. Schieben Sie den Einsatz so weit wie möglich in das Spannfutter. Halten Sie den Ring fest und drehen Sie den Kranz im Uhrzeigersinn, um das Spannfutter anzuziehen. Wenn Sie den Einsatz entfernen möchten, müssen Sie den Ring festhalten und den Kranz gegen den Uhrzeigersinn drehen. Stellen Sie den Drehknopf zum Wechsel der Aktionsbetriebsart auf „nur Drehbewegung“. Der maximale Bohrdurchmesser beträgt 13 mm bei Metall und 32 mm bei Holz.

ACHTUNG:

- Wenn der Bohrfuttersatz am Werkzeug montiert ist, darf auf keinen Fall die Betriebsart „Schlagbohren“ verwendet werden. Andernfalls kann der Bohrfuttersatz beschädigt werden.

Darüber hinaus kann sich das Bohrfutter bei Linkslauf des Werkzeugs lösen.

- Der Bohrvorgang kann durch übermäßigen Druck auf das Werkzeug nicht beschleunigt werden. Dieser übermäßige Druck beschädigt im Gegenteil die Spitze Ihres Bohrers, vermindert die Leistung des Werkzeugs und verkürzt dessen Lebensdauer.
- Beim Lochdurchschlag wirken enorme Drehkräfte auf das Werkzeug/den Einsatz. Halten Sie das Werkzeug fest und seien Sie vorsichtig, wenn der Bohrer das Werkstück durchbricht.
- Ein festsitzender Einsatz kann einfach wieder herausgezogen werden, indem die Drehrichtung mit dem Umschalter geändert wird. Es kann jedoch zu einem abrupten Rückschlag des Werkzeugs kommen, wenn Sie es nicht ganz fest halten.
- Befestigen Sie kleine Werkstücke immer in einem Schraubstock oder einer ähnlichen Haltevorrichtung.
- Stellen Sie den Umschalthebel beim Diamantkernbohren immer auf die Position  ein, um die Betriebsart mit „reiner Drehbewegung“ zu verwenden. Ist beim Diamantkernbohren hingegen die Betriebsart „Schlagbohren“ eingestellt, kann die Diamantbohrkrone gegebenenfalls beschädigt werden.

WARTUNG

ACHTUNG:

- Schalten Sie das Werkzeug stets aus und ziehen Sie den Stecker, bevor Sie Prüfungen oder Wartungsarbeiten am Werkzeug durchführen.

Um die SICHERHEIT und ZUVERLÄSSIGKEIT des Produkts zu gewährleisten, dürfen Reparaturen, Prüfung und Ersatz von Kohlebürsten sowie alle anderen Wartungsarbeiten und Einstellungen nur durch von Makita autorisierte Servicecenter und ausschließlich mit originalen Makita-Ersatzteilen durchgeführt werden.

ZUBEHÖR

ACHTUNG:

- Die folgenden Zubehör- und Zusatzteile werden für das in diesem Handbuch beschriebene Makita-Werkzeug empfohlen. Die Verwendung anderer Zubehör- und Zusatzteile kann zu Personenschäden führen. Verwenden Sie Zubehör- und Zusatzteile nur für den vorgesehenen Zweck.

Informationen zu diesem Zubehör erhalten Sie bei einem Makita-Servicecenter in Ihrer Nähe.

- SDS-Plus-Hartmetallspitzen
- Bohrkronen
- Diamantbohrkrone
- Bohrfuttersatz
- Bohrfutter S13
- Bohrfutteradapter
- Spannfutterschlüssel S13
- Bohrer-/Meißelfett
- Seitengriff
- Tiefenanschlag
- Ausblasvorrichtung
- Staubschutzkappe
- Staubabzugsvorrichtung
- Schutzbrille
- Plastiktragekoffer
- Schlüsselloses Bohrfutter

Geräusche

ENG102-3

Typischer A-bewerteter Lärmpegel nach EN60745:

Schalldruckpegel (L_{pA}): 89 dB (A)

Schalleistungspegel (L_{WA}): 100 dB (A)

Abweichung (K): 3 dB (A)

Tragen Sie Gehörschutz.

Vibrationen

ENG217-2

Vibrationsgesamt看wert (Vektorsumme dreier Achsen) nach EN60745:

Arbeitsmodus: Schlagbohren in Beton

Vibrationsbelastung ($a_{h,HD}$): 15,0 m/s²

Abweichung (K): 1,5 m/s²

ENG302-2

Arbeitsmodus: Bohren in Metall

Vibrationsbelastung ($a_{h,D}$): 2,5 m/s² oder weniger

Abweichung (K): 1,5 m/s²

ENG901-1

- Der hier angegebene Wert für die erzeugten Schwingungen wurde gemäß dem genormten Testverfahren ermittelt und kann als Vergleich zu anderen Werkzeugen herangezogen werden.
- Der angegebene Wert für die erzeugten Schwingungen ist außerdem für eine vorbeugende Bewertung der Belastung zu verwenden.

WARNUNG:

- Die Schwingungsbelastung kann bei tatsächlichem Gebrauch des Elektrowerkzeugs in Abhängigkeit von der Handhabung des Elektrowerkzeugs von dem hier aufgeführten Wert abweichen.
- Stellen Sie sicher, dass Schutzmaßnahmen für den Bediener getroffen werden, die auf den unter den tatsächlichen Arbeitsbedingungen zu erwartenden Belastungen beruhen (beziehen Sie alle Bestandteile des Arbeitsablaufs ein, also zusätzlich zu den Arbeitszeiten auch Zeiten, in denen das Werkzeug ausgeschaltet ist oder ohne Last läuft).

Nur für europäische Länder

EU-Konformitätserklärung
Wir, Makita Corporation als verantwortlicher

ENH101-13

Hersteller, erklären, dass die folgenden Geräte der Marke Makita:

Bezeichnung des Geräts: Bohrhammer

Nummer / Typ des Modells: HR2230

in Serienfertigung hergestellt werden und

den folgenden Richtlinien der Europäischen Union genügen:

98/37/EC bis 28. Dezember 2009 und 2006/42/EC ab dem 29. Dezember 2009

Außerdem werden die Geräte gemäß den folgenden Standards oder Normen gefertigt:

EN60745

Die technische Dokumentation erfolgt durch unseren
Bevollmächtigten in Europa:

Makita International Europe Ltd.,
Michigan, Drive, Tongwell,
Milton Keynes, MK15 8JD, England

30. Januar 2009



Tomoyasu Kato
Direktor
Makita Corporation
3-11-8, Sumiyoshi-cho,
Anjo, Aichi, JAPAN

ITALIANO (Istruzioni originali)

Spiegazione della vista generale

- | | | |
|--|----------------------------|-----------------------------------|
| 1. Interruttore | 8. Serrare | 16. Scodellino per la polvere |
| 2. Pulsante di blocco | 9. Denti | 17. Soffietto a peretta |
| 3. Leva di inversione della rotazione | 10. Sporgenza | 18. Adattatore per mandrino |
| 4. Manopola per la modifica della modalità di azione | 11. Gambo della punta | 19. Mandrino trapano senza chiave |
| 5. Base dell'impugnatura | 12. Grasso per punte | 20. Manicotto |
| 6. Impugnatura laterale | 13. Punta | 21. Anello |
| 7. Allentare | 14. Coperchio del mandrino | |
| | 15. Calibro di profondità | |

CARATTERISTICHE TECNICHE

Modello		HR2230
Capacità di foratura	Cemento	22 mm
	Punta centrale	54 mm
	Punta centrale diamantata (tipo a secco)	65 mm
	Acciaio	13 mm
	Legno	32 mm
Velocità a vuoto (min ⁻¹)		0 - 1.050
Colpi al minuto		0 - 4.050
Lunghezza totale		357 mm
Peso netto		2,6 kg
Classe di sicurezza		II/II

- Le caratteristiche tecniche riportate di seguito sono soggette a modifiche senza preavviso in virtù del nostro programma continuo di ricerca e sviluppo.
- Le caratteristiche tecniche possono differire da paese a paese.
- Peso determinato in conformità con la EPTA-Procedure 01/2003

Uso previsto

ENE042-1

L'utensile è progettato per la foratura con martellamento e per la foratura di mattoni, cemento e pietre.

Esso è utilizzabile anche per la foratura senza impatto del legno, del metallo, della ceramica e della plastica.

Alimentazione

ENF002-1

L'utensile deve essere collegato a una presa di corrente con la stessa tensione di quella indicata sulla targhetta e può funzionare soltanto con corrente alternata monofase. L'utensile è dotato di doppio isolamento in osservanza alle norme europee, pertanto può essere usato anche con prese di corrente sprovviste della messa a terra.

Avvertenze generali di sicurezza per l'uso dell'utensile

GEA010-1

⚠ AVVERTENZA Leggere attentamente tutte le avvertenze di sicurezza e le istruzioni. La mancata osservanza delle istruzioni e delle avvertenze riportate di seguito potrebbe provocare scosse elettriche, incendi e/o lesioni gravi.

Conservare le avvertenze e le istruzioni per riferimenti futuri.

AVVERTENZE DI SICUREZZA PER IL MARTELLO ROTATIVO

GEB007-6

NON lasciare che la familiarità acquisita con il prodotto (dovuta all'uso ripetuto) provochi l'inosservanza delle regole di sicurezza per il presente utensile. Se questo utensile viene utilizzato in modo improprio o errato, è possibile subire lesioni personali gravi.

- Indossare protezioni acustiche.** L'esposizione al rumore può causare la perdita della capacità uditiva.
- Utilizzare le maniglie ausiliarie, se fornite con l'utensile.** La perdita di controllo può provocare lesioni personali.
- Se vengono eseguite operazioni in cui l'accessorio di taglio può toccare fili nascosti o il cavo di alimentazione dell'utensile, impugnare l'utensile utilizzando i punti di presa isolati.** Se l'accessorio da taglio entra a contatto con un filo percorso da corrente, le parti metalliche esposte dell'utensile si troveranno anch'esse sotto tensione e potrebbero provocare scosse elettriche all'operatore.
- Indossare un elmetto (casco di sicurezza), occhiali di sicurezza e/o visiere protettive.** I comuni occhiali da vista o da sole **NON** sono occhiali di sicurezza. Si consiglia anche di indossare una maschera antipolvere e guanti imbottiti.
- Prima di azionare l'utensile, verificare che la punta sia fissata nella posizione corretta.**

6. In condizioni d'uso normali, l'utensile è progettato per produrre vibrazioni. Le viti possono svitarsi facilmente, causando una rottura o un incidente. Prima di azionare l'utensile, controllare che le viti siano serrate.
7. In caso di temperature fredde oppure se l'utensile non è stato utilizzato a lungo, lasciare riscaldare l'utensile per qualche istante azionandolo senza alcun carico. In tal modo il lubrificante sarà meno viscoso e più efficace. Le operazioni di martellatura risultano più difficoltose senza un preriscaldamento adeguato.
8. Accertarsi sempre di avere un equilibrio stabile. Controllare che nessuno si trovi sotto all'utensile quando lo si utilizza in posizioni elevate.
9. Tenere saldamente l'utensile con entrambe le mani.
10. Mantenere le mani lontano dalle parti in movimento.
11. Non lasciare l'utensile acceso. Azionare l'utensile solo dopo averlo impugnato.
12. Non puntare l'utensile verso persone presenti nell'area di lavoro. Un'eventuale fuoriuscita della punta potrebbe provocare lesioni gravi.
13. Non toccare la punta o le parti vicino alla punta subito dopo aver utilizzato l'utensile in quanto possono raggiungere temperature elevate e provocare ustioni.
14. Alcuni materiali contengono prodotti chimici che possono essere tossici. Evitare l'inalazione della polvere e il contatto con la pelle. Attenersi alle istruzioni per la sicurezza del fornitore dei materiali.

CONSERVARE QUESTE ISTRUZIONI.

AVVERTENZA:

L'USO IMPROPRIO o la mancata osservanza delle norme di sicurezza contenute in questo manuale può provocare lesioni personali gravi.

DESCRIZIONE FUNZIONALE

ATTENZIONE:

- Prima di regolare o controllare le funzioni dell'utensile, verificare sempre di averlo spento e scollegato dall'alimentazione.

Azionamento dell'interruttore (Fig. 1)

ATTENZIONE:

- Prima di collegare l'utensile, controllare se l'interruttore funziona correttamente e ritorna alla posizione "OFF" una volta rilasciato.

Per accendere l'utensile è sufficiente tirare l'interruttore. Per aumentare la velocità dell'utensile, aumentare la pressione sull'interruttore. Per spegnere l'utensile, rilasciare l'interruttore. Per il funzionamento continuo, premere l'interruttore e, successivamente, il pulsante di blocco. Per arrestare l'utensile in funzionamento continuo premere a fondo l'interruttore e, quindi, rilasciarlo.

Azionamento della leva di inversione della rotazione (Fig. 2)


ATTENZIONE:


- Prima di azionare l'utensile, controllare sempre la direzione di rotazione impostata.
- Utilizzare la leva di inversione solo quando l'utensile è completamente fermo. Modificare la direzione di rotazione prima dell'arresto può danneggiare l'utensile.
- Se non è possibile abbassare l'interruttore di accensione, controllare che la leva di inversione sia nella posizione corretta ◁ (lato A) o ▷ (lato B).

Questo utensile è dotato di una leva di inversione che consente di modificare la direzione di rotazione. Portare la leva di inversione nella posizione ◁ (lato A) se si desidera una rotazione in senso orario o nella posizione ▷ (lato B) se si desidera una rotazione in senso antiorario.

Selezione della modalità operativa (Fig. 3)

Questo utensile dispone di una manopola che consente di modificare la modalità operativa. Selezionare con la manopola la modalità operativa più appropriata per il lavoro da eseguire.

Per selezionare la foratura semplice, ruotare la manopola fino a quando la freccia posta su di essa indica il simbolo  sul corpo dell'utensile.

Per selezionare la foratura con percussione, ruotare la manopola fino a quando la freccia posta su di essa indica il simbolo  sul corpo dell'utensile.

ATTENZIONE:

- Impostare sempre la manopola in corrispondenza del simbolo di modalità desiderata. Se si aziona l'utensile mentre la manopola si trova in una posizione intermedia tra due modalità, l'utensile potrebbe essere danneggiato.
- Utilizzare la manopola solo quando l'utensile è completamente fermo.

Limitatore di coppia

Il limitatore di coppia si attiva quando viene raggiunto un certo livello di coppia. Il motore si disinnesta dall'albero motore. In tal caso, la punta smette di girare.

ATTENZIONE:

- Non appena il limitatore di coppia si attiva, spegnere immediatamente l'utensile. Ciò ne previene l'usura prematura.
- Punte come quelle delle seghe frontali a corona, che tendono a contrarsi o a penetrare facilmente nel foro, non sono adatte per questo utensile. Queste punte infatti provocherebbero la frequente attivazione del limitatore di coppia.

MONTAGGIO

ATTENZIONE:

- Accertarsi sempre che l'utensile sia spento e scollegato dalla presa di corrente prima di iniziare qualsiasi operazione su di esso.

Impugnatura laterale (maniglia ausiliaria) (Fig. 4)

ATTENZIONE:

- Utilizzare sempre l'impugnatura laterale per operare in sicurezza.

Installare l'impugnatura laterale in modo che i denti sull'impugnatura si inseriscano tra le sporgenze sui portautensili. Quindi serrare l'impugnatura ruotandola in senso orario fino alla posizione desiderata. Può ruotare a 360° per essere fissata in qualsiasi posizione.

Grasso per punte

Spalmare una piccola quantità di grasso (0,5 – 1 g circa) sulla testa del gambo della punta prima di cominciare il lavoro.

Questa lubrificazione del mandrino ne assicura il movimento scorrevole e la lunga durata di servizio.

Installazione o rimozione della punta (Fig. 5)

Pulire il gambo della punta e applicare il grasso prima di installare la punta. (Fig. 6)

Inserire la punta nell'utensile. Ruotare la punta e spingere fino ad agganciarla.

Dopo l'installazione, verificare sempre che la punta rimanga saldamente in posizione provando ad estrarla.

Per rimuovere la punta, abbassare completamente il coperchio del mandrino ed estrarre la punta. (Fig. 7)

Calibro di profondità (Fig. 8)

Il calibro di profondità è utile per praticare fori della stessa profondità. Allentare l'impugnatura laterale e inserire il calibro di profondità nel foro dell'impugnatura stessa. Regolare il calibro di profondità in base alla profondità desiderata e serrare l'impugnatura laterale.

NOTA:

- Non è possibile utilizzare il calibro di profondità quando tocca l'alloggiamento degli ingranaggi.

Scodellino per la polvere (Fig. 9)

Utilizzare lo scodellino per la polvere per evitare che la polvere cada sull'utensile o sull'operatore quando si effettuano forature in posizioni elevate, al di sopra della testa. Attaccare lo scodellino per la polvere alla punta come mostrato nella figura. Le dimensioni delle punte a cui si possono attaccare gli scodellini per la polvere sono indicate di seguito.

	Diametro punta
Scodellino per la polvere 5	6 mm - 14,5 mm
Scodellino per la polvere 9	12 mm - 16 mm

FUNZIONAMENTO

Foratura con percussione

Collocare la punta nella posizione desiderata per il foro, quindi premere l'interruttore. Non forzare l'utensile. Una pressione lieve produce i risultati migliori. Mantenere l'utensile in posizione e impedire che la punta fuoriesca dal foro.

Non aumentare la pressione quando il foro è ostruito da frammenti o schegge. Al contrario, azionare l'utensile alla velocità minima, quindi rimuovere parzialmente la punta dal foro. Ripetere l'operazione più volte fino a quando il foro risulta sgombro ed è possibile riprendere la foratura.

ATTENZIONE:

- Quando la foratura è al termine, quando il foro è ostruito da frammenti e schegge o quando la punta colpisce i tondini di metallo incorporati nel cemento, la punta e lo strumento sono soggetti a una forza di torsione di notevole intensità. Durante il funzionamento, tenere sempre l'utensile utilizzando sia l'impugnatura con l'interruttore sia la maniglia ausiliaria laterale. In caso contrario è possibile perdere il controllo dell'utensile e incorrere nel rischio di gravi lesioni personali.

NOTA:

Durante il funzionamento senza carico dell'utensile, si potrebbe verificare l'eccentricità nella rotazione della punta. L'utensile si centra automaticamente durante il funzionamento. Ciò non ha alcun effetto sulla precisione della foratura.

Soffietto a peretta (accessorio opzionale) (Fig. 10)

Al termine della foratura, utilizzare il soffietto a peretta per ripulire il foro dalla polvere.

Foratura del legno o del metallo (Fig. 11 e 12)

Utilizzare il gruppo mandrino trapano opzionale. Per eseguire l'installazione, fare riferimento a "Installazione o rimozione della punta del trapano" descritta nella pagina precedente.


Tenere fermo l'anello e ruotare il manicotto in senso antiorario per aprire le griffe del mandrino. Inserire completamente la punta nel mandrino. Tenere saldamente l'anello e ruotare il manicotto in senso orario per serrare il mandrino.

Per rimuovere la punta, tenere fermo l'anello e ruotare il manicotto in senso antiorario. Impostare la manopola per la modifica della modalità di azione su "solo rotazione".

È possibile effettuare fori fino a 13 mm di diametro nel metallo e fino a 32 mm di diametro nel legno.

ATTENZIONE:

- Non utilizzare mai la "foratura con percussione" quando il gruppo del mandrino di perforazione è installato sull'utensile, poiché lo si può danneggiare. Inoltre, quando si inverte la rotazione dell'utensile, il mandrino di perforazione può staccarsi.
- Se si applica una pressione eccessiva sull'utensile non si accelera la foratura. Al contrario, una pressione eccessiva può danneggiare l'estremità della punta, diminuire l'efficacia dell'utensile e abbreviare la durata operativa.
- Quando avviene lo sfondamento, l'utensile e la punta sono soggetti a una forza rotatoria molto intensa. Impugnare saldamente l'utensile e prestare particolare attenzione quando il foro è quasi completato.
- Per rimuovere una punta inceppata è sufficiente invertire il senso di rotazione dell'utensile ed azionarlo

- brevemente. Tuttavia, se non si impugnava saldamente l'utensile, questo potrebbe arretrare improvvisamente.
- Fissare sempre i pezzi in lavorazione di piccole dimensioni utilizzando una morsa o un dispositivo simile.
 - Quando si effettuano forature con punte diamantate, impostare sempre la leva di modifica nella posizione  per utilizzare la modalità "solo rotazione". Se si effettuano forature con la punta diamantata utilizzando la modalità "foratura con percussione", la punta centrale diamantata potrebbe danneggiarsi.

Modalità di lavoro: foratura con martellamento del cemento

Emissione di vibrazioni ($a_{h,HD}$): 15,0 m/s²
 Variazione (K): 1,5 m/s²

ENG302-2

Modalità di lavoro: foratura metallo

Emissione di vibrazioni ($a_{h,D}$): 2,5 m/s² o inferiore
 Variazione (K): 1,5 m/s²

ENG901-1

- Il valore di emissione delle vibrazioni dichiarato è stato misurato in conformità con il metodo di test standard e può essere utilizzato per confrontare tra loro diversi utensili.
- Il valore dell'emissione delle vibrazioni dichiarato può anche essere usato per stime preliminari dell'esposizione.

AVVERTENZA:

- L'emissione delle vibrazioni durante l'uso effettivo dell'utensile elettrico può risultare diversa rispetto al valore dichiarato, in base alla modalità d'uso dell'utensile.
- Assicurarsi di individuare le necessarie misure di sicurezza per proteggere l'operatore in base a una stima dell'esposizione nelle condizioni reali di utilizzo (prendendo in considerazione tutte le fasi del ciclo operativo, come quante volte l'utensile viene spento e i periodi in cui rimane inattivo, oltre al tempo di avviamento).

Solo per i paesi europei

Dichiarazione di conformità CE

ENH101-13

Makita Corporation, in qualità di produttore responsabile, dichiara che gli utensili Makita indicati di seguito:

Denominazione dell'utensile: Martello rotativo
 N. modello /Tipo: HR2230

appartengono a una produzione in serie e

sono conformi alle seguenti direttive europee:

98/37/CE fino al 28 dicembre 2009 e 2006/42/CE a partire dal 29 dicembre 2009

Sono inoltre prodotti in conformità con gli standard o i documenti standardizzati riportati di seguito:

EN60745

La documentazione tecnica viene conservata dal rappresentante autorizzato Makita in Europa, ovvero:

Makita International Europe Ltd.,
 Michigan, Drive, Tongwell,
 Milton Keynes, MK15 8JD, Inghilterra

30 gennaio 2009



Tomoyasu Kato
 Direttore

Makita Corporation
 3-11-8, Sumiyoshi-cho,
 Anjo, Aichi, JAPAN

MANUTENZIONE

ATTENZIONE:

- Prima di effettuare controlli e operazioni di manutenzione, verificare sempre che l'utensile sia spento e scollegato.

Per mantenere la SICUREZZA e l'AFFIDABILITÀ del prodotto, le riparazioni, il controllo della spazzola di carbone, le sostituzioni e qualsiasi altra operazione di manutenzione o regolazione devono essere eseguite da un centro di assistenza Makita autorizzato usando sempre ricambi Makita.

ACCESSORI

ATTENZIONE:

- L'utensile Makita descritto in questo manuale può essere utilizzato con tali accessori. L'uso di qualsiasi altro accessorio potrebbe provocare lesioni personali. Utilizzare gli accessori esclusivamente per l'uso dichiarato.

Per l'assistenza e ulteriori informazioni su tali accessori, rivolgersi al centro di assistenza Makita locale.

- Punta SDS Plus con estremità al carburo di tungsteno
- Punta centrale
- Punta centrale diamantata
- Gruppo mandrino trapano
- Mandrino trapano S13
- Adattatore per mandrino
- Chiave per mandrino S13
- Grasso per punte
- Impugnatura laterale
- Calibro di profondità
- Soffietto a peretta
- Scodellino per la polvere
- Accessorio estrattore polvere
- Occhiali di protezione
- Valigetta di trasporto di plastica
- Mandrino trapano senza chiave

Rumore

ENG102-3

Il tipico livello di rumore ponderato "A" è determinato in conformità con la norma EN60745:

Livello di pressione sonora (L_{pA}): 89 dB (A)

Livello di potenza sonora (L_{WA}): 100 dB (A)

Variazione (K): 3 dB (A)

Indossare una protezione acustica.

Vibrazione

ENG217-2

Il valore totale della vibrazione (somma vettoriale triassiale) viene determinato in conformità con la norma EN60745:

NEDERLANDS (Originele instructies)

Verklaring van het onderdelenoverzicht

1. Aan/uit-schakelaar	8. Vastzetten	15. Diepteaanslag
2. Vastzetknop	9. Tandem	16. Stofvanger
3. Omkeerschakelaarknop	10. Uitsteeksel	17. Blaasbalgje
4. Omschakelknop	11. Boorschacht	18. Boorkop-adapter
5. Basis van de zijhandgreep	12. Boorvet	19. Sleutellose boorkop
6. Zijhandgreep	13. Boor	20. Bus
7. Losdraaien	14. Boorkopdeksel	21. Ring

TECHNISCHE GEGEVENS

Model		HR2230
Vermogen	Beton	22 mm
	Kroonboor	54 mm
	Diamantkroonboortje (droog type)	65 mm
	Staal	13 mm
	Hout	32 mm
Nullasttoerental (min ⁻¹)		0 - 1.050
Aantal slagen/minuut		0 - 4.050
Totale lengte		357 mm
Netto gewicht		2,6 kg
Veiligheidsklasse		II/III

- Als gevolg van ons doorlopende onderzoeks- en ontwikkelingsprogramma, zijn de technische gegevens van dit gereedschap onderhevig aan veranderingen zonder voorafgaande kennisgeving.
- De technische gegevens kunnen van land tot land verschillen.
- Gewicht volgens EPTA-procedure 01/2003

Gebruiksdoelinden

ENE042-1

Het gereedschap is bedoeld voor hamerboren en boren in baksteen, beton en steen.

Het is ook geschikt voor boren zonder slag in hout, metaal, keramisch materiaal en kunststof.


Voeding

ENF002-1

Het gereedschap mag uitsluitend worden aangesloten op een voeding met dezelfde spanning als aangegeven op het identificatieplaatje en werkt alleen op enkele-fase wisselstroom. Het gereedschap is dubbel geïsoleerd volgens de Europese norm en mag derhalve ook op een niet-geaard stopcontact worden aangesloten.

Algemene veiligheidswaarschuwingen voor elektrisch gereedschap

GEA010-1

 **WAARSCHUWING** Lees alle veiligheidswaarschuwingen en alle instructies. Het niet volgen van de waarschuwingen en instructies kan leiden tot elektrische schokken, brand en/of ernstig letsel.

Bewaar alle waarschuwingen en instructies om in de toekomst te kunnen raadplegen.

VEILIGHEIDSWAARSCHUWINGEN VOOR BOORHAMER

GEB007-6

Laat u NIET misleiden door een vals gevoel van comfort en bekendheid met het gereedschap (na veelvuldig gebruik) en neem alle veiligheidsvoorschriften van het betreffende product altijd strikt in acht. Bij onveilig of verkeerd gebruik van het gereedschap, bestaat de kans op ernstig persoonlijk letsel.

1. **Draag gehoorbescherming.** Blootstelling aan harde geluiden kan leiden tot gehoorbeschadiging.
2. **Gebruik de hulphandgrepen, als deze bij het gereedschap werden geleverd.** Als u de controle over het gereedschap verliest, kan dit leiden tot persoonlijk letsel.
3. **Houd elektrisch gereedschap vast aan het geïsoleerde oppervlak van de handgrepen wanneer u werkt op plaatsen waar het bitaccessoire met verborgen bedrading of zijn eigen snoer in aanraking kan komen.** Wanneer het bitaccessoire in aanraking komen met onder spanning staande draden, zullen de niet-geïsoleerde metalen delen van het gereedschap onder spanning komen te staan zodat de gebruiker een elektrische schok kan krijgen.
4. **Draag een veiligheidshelm, veiligheidsbril en/of gezichtsbescherming. Een gewone bril of een zonnebril is GEEN veiligheidsbril. Het wordt**

- tevens sterk aanbevolen een stofmasker en dik gevoerde handschoenen te dragen.
5. Controleer of het bit stevig op zijn plaats zit voordat u het gereedschap gebruikt.
 6. Bij normale bediening behoort het gereedschap te trillen. De schroeven kunnen gemakkelijk losraken, waardoor een defect of ongeluk kan ontstaan. Controleer of de schroeven goed zijn aangedraaid, alvorens het gereedschap te gebruiken.
 7. In koude weersomstandigheden of wanneer het gereedschap gedurende een lange tijd niet is gebruikt, laat u het gereedschap eerst opwarmen door het onbelast te laten werken. Hierdoor zal de smering worden verbeterd. Zonder degelijk opwarmen, zal de hamerwerking moeilijk zijn.
 8. Zorg er altijd voor dat u stevig staat. Zorg ervoor dat er niemand zich onder u bevindt wanneer u het gereedschap op een hoge plaats gebruikt.
 9. Houd het gereedschap met beide handen stevig vast.
 10. Houd uw handen uit de buurt van bewegende delen.
 11. Laat het gereedschap niet ingeschakeld liggen. Bedien het gereedschap alleen wanneer u het vasthoudt.
 12. Richt het gereedschap niet op iemand in de buurt terwijl het is ingeschakeld. Het bit zou eruit kunnen vliegen en iemand ernstig verwonden.
 13. Raak het bit en onderdelen in de buurt van het bit niet onmiddellijk na gebruik aan. Zij kunnen bijzonder heet zijn en brandwonden op uw huid veroorzaken.
 14. Sommige materialen bevatten chemische stoffen die giftig kunnen zijn. Neem voorzorgsmaatregelen tegen het inademen van stof en contact met de huid. Volg de veiligheidsinstructies van de leverancier van het materiaal op.

BEWAAR DEZE INSTRUCTIES.

WAARSCHUWING:

VERKEERD GEBRUIK of het niet volgen van de veiligheidsinstructies in deze gebruiksaanwijzing kan leiden tot ernstig persoonlijk letsel.

BESCHRIJVING VAN DE FUNCTIES

LET OP:

- Controleer altijd of het gereedschap is uitgeschakeld en de stekker uit het stopcontact is getrokken alvorens de functies van het gereedschap te controleren of af te stellen.

Aan/uit-schakelaar (zie afb. 1)

LET OP:

- Controleer altijd, voordat u de stekker in het stopcontact steekt, of de aan/uit-schakelaar op de juiste manier schakelt en weer terugkeert naar de uitstand nadat deze is losgelaten.

Om het gereedschap in te schakelen, knijpt u gewoon de aan/uit-schakelaar in. De draaisnelheid van het

gereedschap neemt toe naarmate u meer druk uitoefent op de aan/uit-schakelaar. Laat de aan/uit-schakelaar los om het gereedschap te stoppen. Om het gereedschap continu te laten werken, knijpt u de aan/uit-schakelaar in en drukt u vervolgens op de vergrendelknop. Om vanuit de vergrendelde werking het gereedschap te stoppen, knijpt u de aan/uit-schakelaar helemaal in en laat u deze vervolgens weer los.

Werking van de omkeerschakelaar (zie afb. 2)


LET OP:


- Controleer altijd de draairichting alvorens het gereedschap te gebruiken.
- Gebruik de omkeerschakelaar alleen nadat het gereedschap volledig tot stilstand is gekomen. Als u de draairichting verandert voordat het gereedschap volledig stilstaat, kan het gereedschap worden beschadigd.
- Als u de aan/uit-schakelaar niet kunt indrukken, controleer dan of de omkeerschakelaar volledig in stand ◁ (kant A) of ▷ (kant B) staat.

Dit gereedschap is uitgerust met een omkeerschakelaar waarmee u de draairichting kunt omkeren. Duw de omkeerschakelaar naar de stand ◁ (kant A) voor de draairichting rechtsom, of naar de stand ▷ (kant B) voor de draairichting linksom.

De werkwingsfunctie kiezen (zie afb. 3)

Dit gereedschap is uitgerust met een werkwingsfunctie-keuzeknop. Kies met deze keuzeknop van de twee beschikbare werkwingsfuncties de functie die het meest geschikt is voor uw klus.

Voor alleen ronddraaien, draait u de keuzeknop zodat de pijlpunt op het gereedschap op het symbool  op de ring staat.

Voor ronddraaien met de hamerboorfunctie draait u de keuzeknop zodat de pijlpunt op het gereedschap op het symbool  op de ring staat.

LET OP:

- Stel de keuzeknop altijd volledig in op het symbool van de juiste stand van uw keuze. Als u het gereedschap bedient met de instelknop ingesteld tussen de twee werkwingsfunctiesymbolen in, kan het gereedschap beschadigd raken.
- Gebruik de knop alleen nadat het gereedschap volledig tot stilstand is gekomen.

Koppelbegrenzer

De koppelbegrenzer treedt in werking wanneer de motor een bepaald koppel bereikt. De motor wordt dan ontkoppeld van de uitgangsas. Wanneer dit gebeurt, zal de boor ophouden met draaien.

LET OP:

- Schakel het gereedschap onmiddellijk uit wanneer de koppelbegrenzer in werking treedt. Hiermee helpt u vroegtijdige slijtage van het gereedschap voorkomen.
- Onderdelen zoals een gatzaag, die de neiging hebben te knellen of gemakkelijk vastraken in het gat, zijn niet geschikt voor dit gereedschap. Dit is te wijten aan het feit dat de draaimomentbegrenzer te vaak wordt geactiveerd.

ONDERDELEN AANBRENGEN/ VERWIJDEREN

LET OP:

- Controleer altijd of het gereedschap is uitgeschakeld en de stekker uit het stopcontact is getrokken alvorens werkzaamheden aan het gereedschap uit te voeren.

Zijhandgreep (hulphandgreep) (zie afb. 4)

LET OP:

- Gebruik altijd de zijhandgreep zodat u veilig kunt werken.

Plaats de zijhandgreep zodanig over de kop van het gereedschap dat de tanden van de zijhandgreep in de uitsteeksel van het gereedschap passen. Draai daarna de zijhandgreep vast door deze in de gewenste stand rechtsom te draaien. De zijhandgreep kan 360° rond het gereedschap gedraaid worden en in iedere gewenste stand worden vastgezet.

Boorvet

Voordat u de boor aanbrengt, smeert u een beetje vet (ca. 0,5 tot 1 gram) op de kop van de boorschacht.

Met een ingevette boorkop zal het gereedschap beter werken en langer meegaan.

Het bit aanbrengen en verwijderen (zie afb. 5)

Reinig de boorschacht en smeer er boorvet op alvorens de boor te installeren (zie afb. 6).

Steek de boor in het gereedschap. Draai de boor en duw deze naar binnen tot zij vergrendelt.

Controleer na het aanbrengen altijd of het bit stevig in het gereedschap is bevestigd door te proberen het eruit te trekken.

Om het bit te verwijderen trekt u de verwisseling helemaal omlaag en trekt u vervolgens het bit eruit. (zie afb. 7)

Diepteaanslag (zie afb. 8)

De diepteaanslag is handig voor het boren van gaten van gelijke diepte. Maak de zijhandgreep los en steek de diepteaanslag in het gat in de zijhandgreep. Stel de diepteaanslag af op de gewenste diepte en zet de zijhandgreep vast.

OPMERKING:

- De diepteaanslag kan niet worden gebruikt in de positie waarbij deze tegen het tandwielhuis aanstoot.

Stofvanger (zie afb. 9)

Gebruik de stofvanger om te voorkomen dat stof op het gereedschap en op uzelf terecht komt wanneer u boven uw hoofd boort. Bevestig de stofvanger aan de boor zoals aangegeven in de afbeelding. De diameter van de boren waaraan de stofvanger kan worden bevestigd is als volgt.

	Boordiameter
Stofvanger 5	6 mm t/m 14,5 mm
Stofvanger 9	12 mm t/m 16 mm

BEDIENING

Gebruik als boorhamer

Plaats de punt van de boor op de gewenste plaats waar geboord moet worden en trek vervolgens de schakelaar in. Forceer het gereedschap niet. Een lichte druk geeft de beste resultaten. Houd het gereedschap stevig vast en zorg dat het niet uitglijdt.

Oefen geen grotere druk uit wanneer het boorgat verstopt raakt met schilfertjes of metaaldeeltjes. Laat in zo'n geval het gereedschap langzaam lopen en verwijder de boor gedeeltelijk uit het boorgat. Wanneer dit verschillende keren wordt herhaald, zal het boorgat schoon worden en kunt u normaal verder boren.

LET OP:

- Op het moment dat het boorgat doorbreekt, het boorgat verstopt raakt met schilfertjes of metaaldeeltjes, of de boorhamer de bewapening in het beton raakt, wordt een enorme kracht uitgeoefend op het gereedschap/de boor. Gebruik altijd de zijhandgreep (hulphandgreep) en houd het gereedschap tijdens gebruik stevig vast aan zowel de zijhandgreep als de hoofdhandgreep. Als u dit niet doet, kan u de controle over het gereedschap verliezen en mogelijk ernstig letsel veroorzaken.

OPMERKING:

Terwijl het gereedschap onbelast wordt gebruikt, kan de boor excentrisch draaien. Het gereedschap centreert zichzelf automatisch tijdens het gebruik. Dit heeft geen nadelige invloed op de nauwkeurigheid van het boren.

Luchtblazer (los verkrijgbaar) (zie afb. 10)

Gebruik na het boren het blaasbalgje om het stof uit het boorgat te blazen.

Boren in hout of metaal (zie afb. 11 en 12)

Gebruik de los verkrijgbare boorkopmontage. Om deze te installeren, zie "Aanbrengen en verwijderen van de boor" op de vorige pagina.

Houd de ring op zijn plaats en draai de mof linksom om de klauwen in de spankop te openen. Steek het bit zo ver mogelijk in de spankop. Houd de ring stevig op zijn plaats en draai de mof rechtsom om de klauwen in de spankop te sluiten.


Om het bit te verwijderen, houdt u de ring op zijn plaats en draait u de mof linksom. Draai de omschakelknop naar "alleen ronddraaien".

U kunt gaten tot een diameter van 13 mm in metaal en tot een diameter van 32 mm in hout boren.

LET OP:

- Gebruik nooit "Roteren met hameren" wanneer de boorkopmontage op het gereedschap is gemonteerd. De boorkopmontage kan hierdoor beschadigd raken. Bovendien zal de boorkop loskomen wanneer de draairichting van het gereedschap wordt omgekeerd.
- Het boren zal niet sneller verlopen als u hard op het gereedschap drukt. In feite zal dergelijk duwen alleen maar leiden tot beschadiging van de boor, verlagen van de prestaties van het gereedschap, en verkorten van de levensduur van het gereedschap.
- Op het moment dat het boorgat doorbreekt wordt een enorme draaikracht uitgeoefend op het gereedschap/

de boor. Houd het gereedschap stevig vast en let goed op wanneer het bit door het werkstuk breekt.

- Een vastgelopen boor kan eenvoudigweg worden verwijderd door de omkeerschakelknop in de stand voor achteruitdraaien te zetten om de boor te verwijderen. Het gereedschap kan echter plotseling achteruit komen als u het niet stevig vasthoudt.
- Zet kleine werkstukken altijd vast in een bankschroef of soortgelijk bevestigingsmiddel.
- Wanneer u werkzaamheden met diamantkroonboren uitvoert, moet u de keuzeknop altijd in de stand  voor "alleen ronddraaien" zetten. Als u werkzaamheden met diamantkroonboren uitvoert in de stand "ronddraaien met hamerboorfunctie" kan de diamantkroonboor beschadigd raken.

ONDERHOUD

LET OP:

- Zorg er altijd voor dat de machine is uitgeschakeld en de stekker uit het stopcontact is getrokken, voordat u een inspectie of onderhoud uitvoert.

Om de VEILIGHEID en BETROUWBAARHEID van het gereedschap te handhaven, dienen alle reparaties, controle en vervanging van de koolborstels, onderhoud en afstellingen te worden uitgevoerd door een erkend Makita-servicecentrum, en altijd met gebruikmaking van originele Makita-vervangingsonderdelen.

ACCESSOIRES

LET OP:

- Deze accessoires of hulpstukken worden aanbevolen voor gebruik met het Makita-gereedschap dat in deze gebruiksaanwijzing wordt beschreven. Het gebruik van andere accessoires of hulpstukken kan gevaar voor persoonlijk letsel opleveren. Gebruik de accessoires of hulpstukken uitsluitend voor de aangegeven gebruiksdoeleinden.

Mocht u meer informatie willen hebben over deze accessoires, dan kunt u contact opnemen met uw plaatselijke Makita-servicecentrum.

- SDS-Plus boren met een hardmetalen punt
- Kroonboor
- Diamantkroonboortje
- Boorkopmontage
- Boorkop S13
- Boorkop-adapter
- Boorkopsleutel S13
- Boorvet
- Zijhandgreep
- Diepteaanslag
- Blaasbalgje
- Stofvanger
- Hulpstuk voor stofafscheiding
- Veiligheidsbril
- Kunststoffen draagdoos
- Sleutellose boorkop

Geluid

ENG102-3

Het standaard A-gewogen geluidsniveau zoals vastgesteld conform EN60745:

Geluidsdrukniveau (L_{pA}): 89 dB (A)

Geluidsvermogeniveau (L_{WA}): 100 dB (A)

Onzekerheid (K): 3 dB (A)

Draag gehoorbescherming.

Trilling

ENG217-2

De totale trilwaarde (triaxiale vectorsom) zoals vastgesteld volgens EN60745:

Gebruikstoepassing: hamerboren in beton

Trillingsemisatie ($a_{h, HD}$): 15,0 m/s²

Onzekerheid (K): 1,5 m/s²

ENG302-2

Gebruikstoepassing: boren in metaal

Trillingsemisatie ($a_{h, D}$): 2,5 m/s² of minder

Onzekerheid (K): 1,5 m/s²

ENG901-1

- De opgegeven trillingsemisatie waarde is gemeten volgens de standaardtestmethode en kan worden gebruikt om dit gereedschap te vergelijken met andere gereedschappen.
- De opgegeven trillingsemisatie waarde kan ook worden gebruikt voor een beoordeling vooraf van de blootstelling.

⚠ WAARSCHUWING:

- De trillingsemisatie tijdens het gebruik van het elektrisch gereedschap in de praktijk kan verschillen van de opgegeven trillingsemisatie waarde afhankelijk van de manier waarop het gereedschap wordt gebruikt.
- Zorg ervoor dat veiligheidsmaatregelen worden getroffen ter bescherming van de operator die zijn gebaseerd op een schatting van de blootstelling onder praktijkomstandigheden (rekening houdend met alle fasen van de bedrijfsfscyclus, zoals de tijdsduur gedurende welke het gereedschap is uitgeschakeld en stationair draait, naast de ingeschakelde tijdsduur).

Alleen voor Europese landen

EU-verklaring van conformiteit

ENH101-13

Wij, Makita Corporation, als de verantwoordelijke fabrikant, verklaren dat de volgende Makita-machine(s):

Aanduiding van de machine: Boorhamer

Modelnr./Type: HR2230

in serie zijn geproduceerd en

Voldoen aan de volgende Europese richtlijnen:

98/37/EC tot en met 28 december 2009 en daarna

aan 2006/42/EC vanaf 29 december 2009

En zijn gefabriceerd in overeenstemming met de volgende normen of genormaliseerde documenten:

EN60745

De technische documentatie wordt bewaard door onze erkende vertegenwoordiger in Europa, te weten:

Makita International Europe Ltd.,

Michigan Drive, Tongwell,

Milton Keynes, MK15 8JD, Engeland

30 januari 2009



Tomoyasu Kato

Directeur

Makita Corporation

3-11-8, Sumiyoshi-cho,

Anjo, Aichi, JAPAN

ESPAÑOL (Instrucciones originales)

Explicación de los dibujos

- | | | |
|---|--------------------------|----------------------------|
| 1. Interruptor disparador | 7. Aflojar | 15. Calibre de profundidad |
| 2. Botón de bloqueo | 8. Apretar | 16. Tapa contra el polvo |
| 3. Palanca del interruptor de inversión | 9. Dientes | 17. Bulbo de extracción |
| 4. Pomo de cambio de modo de acción | 10. Saliente | 18. Adaptador de mandril |
| 5. Base de la empuñadura | 11. Espiga de la broca | 19. Mandril automático |
| 6. Empuñadura lateral | 12. Grasa para brocas | 20. Camisa |
| | 13. Broca | 21. Anillo |
| | 14. Cubierta del mandril | |

ESPECIFICACIONES

Modelo		HR2230
Capacidades	Hormigón	22 mm
	Broca	54 mm
	Broca de punta de diamante (tipo seco)	65 mm
	Acero	13 mm
	Madera	32 mm
Velocidad en vacío (mín^{-1})		0 - 1.050
Golpes por minuto		0 - 4.050
Longitud total		357 mm
Peso neto		2,6 kg
Clase de seguridad		II/II

- Debido a nuestro programa continuo de investigación y desarrollo, las especificaciones aquí descritas están sujetas a cambios sin previo aviso.
- Las especificaciones pueden ser diferentes de un país a otro.
- Peso de acuerdo con el procedimiento EPTA 01/2003

Uso previsto

ENE042-1

La herramienta se ha diseñado para perforar con percusión y para perforar ladrillo, hormigón y piedra.

También es apropiada para taladrar sin impactos en madera, metal, cerámica y plástico.

Alimentación

ENF002-1

La herramienta debe conectarse solamente a una fuente de alimentación de la misma tensión que la indicada en la placa de características, y sólo puede funcionar con corriente alterna monofásica. El sistema de doble aislamiento de la herramienta cumple con las normas europeas y puede, por lo tanto, usarse también en tomacorrientes sin conductor de tierra.

Advertencias de seguridad generales para herramientas eléctricas

GEA010-1

⚠ ADVERTENCIA Lea todas las advertencias de seguridad y todas las instrucciones. La no observancia de las advertencias y las instrucciones puede provocar descargas eléctricas, incendios y/o lesiones graves.

Guarde todas las advertencias e instrucciones para futuras consultas.

ADVERTENCIAS DE SEGURIDAD DEL MARTILLO ROTATIVO

GEB007-6

No deje que la comodidad o la familiaridad con el producto (a base de utilizarlo repetidamente) sustituya la estricta observancia de las normas de seguridad del producto en cuestión. Si utiliza esta herramienta de forma no segura o incorrecta, puede sufrir graves daños corporales.

- Utilice protectores para los oídos.** La exposición al ruido puede producir pérdida auditiva.
- Utilice las empuñaduras auxiliares proporcionadas con la herramienta.** La pérdida de control puede ocasionar daños corporales.
- Sujete la herramienta eléctrica por las superficies de agarre aisladas al realizar una operación en que el accesorio de corte pueda entrar en contacto con cables ocultos o con su propio cable.** Si entra en contacto con un cable con corriente, puede que las piezas metálicas expuestas de la herramienta eléctrica se carguen también de corriente y que el operario reciba una descarga.
- Póngase un casco de seguridad, gafas de seguridad y/o una careta protectora.** Las gafas normales o de sol NO son gafas de seguridad. También se recomienda encarecidamente que utilice una mascarilla antipolvo y guantes gruesos acolchados.

5. **Asegúrese de que la broca esté firmemente sujeta en su lugar antes del uso.**
6. **En condiciones normales de funcionamiento, la herramienta está diseñada para producir vibraciones. Los tornillos pueden aflojarse fácilmente, con lo cual se puede averiar la herramienta o puede producirse un accidente. Compruebe que los tornillos estén bien apretados antes del uso.**
7. **Si hace frío o la herramienta no se ha utilizado durante un periodo prolongado, deje que se caliente la herramienta poniéndola en marcha en vacío. De este modo se facilitará la lubricación. Si no se calienta adecuadamente, se dificultará el martilleo.**
8. **Colóquese siempre en una posición bien equilibrada. Si utiliza la herramienta en una ubicación elevada, asegúrese de que nadie se encuentre debajo.**
9. **Sujete firmemente la herramienta con ambas manos.**
10. **Mantenga las manos alejadas de las piezas móviles.**
11. **No deje la herramienta encendida. Póngala en marcha solamente cuando la tenga en las manos.**
12. **No apunte la herramienta hacia ninguna persona que se encuentre en la zona durante su uso. La broca podría salir disparada y herir gravemente a alguien.**
13. **No toque la broca ni las piezas cercanas a ésta inmediatamente después de que hayan estado en funcionamiento; pueden estar extremadamente calientes y producir quemaduras en la piel.**
14. **Algunos materiales contienen sustancias químicas que pueden ser tóxicas. Procure evitar la inhalación de polvo y el contacto con la piel. Siga los datos de seguridad del proveedor del material.**

GUARDE ESTAS INSTRUCCIONES.

ADVERTENCIA:

El MAL USO o la no observancia de las normas de seguridad expuestas en este manual de instrucciones pueden ocasionar graves daños corporales.

DESCRIPCIÓN DEL FUNCIONAMIENTO

PRECAUCIÓN:

- Asegúrese siempre de que la herramienta esté apagada y desenchufada antes de intentar realizar cualquier tipo de ajuste o comprobación en ella.

Funcionamiento del interruptor (Fig. 1)

PRECAUCIÓN:

- Antes de enchufar la herramienta, asegúrese siempre de que el interruptor disparador funcione como es debido y de que vuelva a la posición "OFF" (apagado) al soltarlo.

Para poner en marcha la herramienta, simplemente accione el interruptor disparador. La velocidad de la herramienta aumenta al incrementar la presión sobre el

interruptor disparador. Suelte el interruptor disparador para detener la herramienta. Para un uso continuo, tire del interruptor disparador y después pulse el botón de bloqueo. Para detener la herramienta desde la posición de bloqueo, tire totalmente del interruptor disparador y suéltelo.

Funcionamiento del interruptor de inversión (Fig. 2)


PRECAUCIÓN:


- Antes de trabajar, compruebe siempre la dirección del giro.
- Utilice el interruptor de inversión sólo cuando la herramienta se haya detenido por completo, ya que, de lo contrario, la herramienta podría averiarse.
- Si no puede pulsar el interruptor disparados, asegúrese de que el interruptor de inversión está completamente colocado en la posición ◁ (lado A) o ▷ (lado B).

Esta herramienta está provista de un interruptor de inversión para cambiar la dirección de giro. Desplace la palanca del interruptor de inversión hacia la posición ◁ (lado A) para girar a la derecha o hacia la posición ▷ (lado B) para girar a la izquierda.

Selección del modo de acción (Fig. 3)

Esta herramienta utiliza un pomo para cambiar el modo de acción. Con la ayuda de este pomo, seleccione uno de los dos modos disponibles según sus necesidades.

Para girar solamente, mueva el pomo de manera que la flecha del pomo apunte hacia el símbolo  situado en el cuerpo de la herramienta.

Para girar con percusión, mueva el pomo de manera que la flecha del pomo apunte hacia el símbolo  situado en el cuerpo de la herramienta.

PRECAUCIÓN:

- Mueva siempre el pomo completamente hacia el símbolo del modo que desee. Si utiliza la herramienta con el pomo situado en una posición entre alguno de los símbolos de modo, la herramienta podría averiarse.
- Utilice el pomo cuando la herramienta se haya detenido por completo,

Limitador de par de apriete

El limitador de par de apriete entra en acción cuando se alcanza un cierto nivel de par. El motor se desacoplará del eje de salida. Cuando esto suceda, la broca dejará de girar.

PRECAUCIÓN:

- Desconecte la herramienta tan pronto como actúe el limitador de par de apriete. Ello evitará que la herramienta se desgaste prematuramente.
- Algunas brocas, como por ejemplo las sierras de orificio, tienden a engancharse o atascarse con facilidad en el orificio y no pueden ser utilizadas con esta herramienta, ya que provocarán que el limitador de torsión se active con demasiada frecuencia.

MONTAJE

PRECAUCIÓN:

- Asegúrese siempre de que la herramienta esté apagada y desenchufada antes de intentar realizar cualquier trabajo en ella.

Empuñadura lateral (empuñadura auxiliar) (Fig. 4)

PRECAUCIÓN:

- Utilice siempre la empuñadura lateral para garantizar un uso seguro.
- Instale la empuñadura lateral de forma que los dientes de la base de la empuñadura encajen entre los salientes del portaherramientas. A continuación, apriete la empuñadura girándola hacia la derecha hasta la posición requerida. Se puede girar 360° y se puede fijar en cualquier posición.

Grasa para brocas

En primer lugar, aplique una pequeña cantidad de grasa para brocas (aprox. 0,5 - 1 g) a la cabeza de la espiga de la broca.

De este modo se lubrica el mandril, hecho que alarga su vida útil y suaviza su operación.

Instalación o extracción de la broca (Fig. 5)

Limpie la espiga de la broca y engrásela antes de montarla. (Fig. 6)

Introduzca la broca en la herramienta. Girela y empújela hasta que se enclave.

Después de la instalación, asegúrese siempre de que la broca esté bien sujeta en su lugar; para ello, intente sacarla.

Para extraer la broca, desplace la cubierta del mandril lo máximo hacia abajo y tire de la broca hacia fuera. (Fig. 7)

Calibre de profundidad (Fig. 8)

El calibre de profundidad es muy útil para realizar agujeros de profundidad uniforme. Afloje la empuñadura lateral e introduzca el calibre de profundidad en el agujero de la empuñadura. Ajuste el calibre a la profundidad deseada y apriete la empuñadura lateral.

NOTA:

- No se puede usar el calibre de profundidad en la posición en la que golpea contra el alojamiento del engranaje.

Tapa contra el polvo (Fig. 9)

Cuando realice operaciones de perforación a una altura por encima de la cabeza, utilice la tapa contra el polvo para impedir que el polvo le caiga encima. Sujete la tapa contra el polvo a la broca tal como indica la figura. Las distintas tapas contra el polvo pueden fijarse a brocas del siguiente tamaño.

	Diámetro de la broca
Tapa contra el polvo 5	6 mm - 14,5 mm
Tapa contra el polvo 9	12 mm - 16 mm

MANEJO

Función de perforación con percusión

Coloque la broca en el lugar donde desee practicar el orificio y, a continuación, presione el interruptor disparador. No fuerce la herramienta. Los mejores resultados se obtienen cuando se ejerce una presión suave. Mantenga la herramienta en posición y evite que se desplace fuera del orificio.

No ejerza más presión cuando el orificio se obstruya con restos o partículas de materiales. Pare la herramienta y, a continuación, extraiga la broca parcialmente del orificio. Repita esta operación varias veces hasta que el orificio se limpie y pueda reanudar la perforación.

PRECAUCIÓN:

- En determinadas situaciones, como, por ejemplo, al practicar un agujero, cuando el orificio se tapona con restos y partículas de materiales o cuando se golpean las varas de refuerzo dentro del hormigón, se ejerce una enorme y súbita fuerza de torsión sobre la herramienta y la broca. Utilice siempre la empuñadura lateral (mango auxiliar) y sujete firmemente la herramienta por la empuñadura lateral y por el mango del interruptor durante el funcionamiento. De lo contrario, puede perder el control de la herramienta y sufrir heridas graves.

NOTA:

Al utilizar la herramienta en vacío, la broca puede girar de forma descentrada. La herramienta se centra automáticamente durante la operación. Ello no afecta a la precisión de la perforación.

Bulbo de extracción (accesorio opcional) (Fig. 10)

Tras perforar el orificio, utilice el bulbo de extracción para quitar el polvo y los restos de materiales del orificio.

Perforación en madera o metal (Fig. 11 y 12)

Utilice el conjunto de mandril opcional. Cuando lo instale, consulte "Instalación o extracción de la broca", descrito en la página anterior.


Sujete la anilla y gire la camisa a la izquierda para abrir las mordazas del mandril. Inserte completamente la broca o la punta del destornillador en el mandril. Sujete la anilla con fuerza y gire la camisa a la derecha para sujetar el mandril.

Para extraer la broca o la punta del destornillador, sujete la anilla y gire la camisa a la izquierda. Coloque el pomo de cambio de modo de acción en la posición de "sólo giro".

Puede perforar un diámetro máximo de 13 mm en metal y de 32 mm en madera.

PRECAUCIÓN:

- No utilice el "giro con percusión" si el conjunto de mandril está montado en la herramienta. El conjunto de mandril podría resultar dañado. Además, el mandril podría caerse al invertir la herramienta.
- Apretar la herramienta en exceso no acelerará la perforación. De hecho, esta presión excesiva sólo

- servirá para dañar la punta de la broca, reducir el rendimiento de la herramienta y acortar su vida útil.
- En el momento de realizar el orificio, se ejerce una presión de giro enorme sobre la herramienta y la broca. Sujete firmemente la herramienta y tenga mucho cuidado cuando la broca empieza a perforar el material.
 - Para sacar una broca atascada, sólo tiene que ajustar el interruptor de inversión en el giro inverso. Sin embargo, la herramienta puede retroceder bruscamente si no la sujeta con fuerza.
 - Sujete siempre las piezas de trabajo pequeñas en una prensa de tornillo o un dispositivo de sujeción similar.
 - Cuando realice operaciones de perforación con brocas de punta de diamante, coloque siempre la palanca de cambio en la posición  para girar solamente. Si realiza operaciones de perforación con una broca de punta de diamante utilizando el "giro con percusión", la broca de punta de diamante puede resultar dañada.

MANTENIMIENTO

PRECAUCIÓN:

- Asegúrese siempre de que la herramienta esté apagada y desenchufada antes de intentar realizar cualquier trabajo de inspección o mantenimiento en ella.

Para conservar la SEGURIDAD y la FIABILIDAD del producto, los trabajos de reparación, la inspección y el reemplazo de las escobillas de carbón, y otros trabajos de mantenimiento y ajuste deberán ser realizados en centros de servicio autorizados de Makita, utilizando siempre repuestos Makita.

ACCESORIOS

PRECAUCIÓN:

- Se recomienda el uso de estos accesorios o complementos con la herramienta Makita especificada en este manual. El uso de otros accesorios o complementos puede conllevar el riesgo de ocasionar daños corporales. Utilice los accesorios o complementos solamente para su fin establecido.

Si necesita cualquier ayuda para obtener más información relativa a estos accesorios, pregunte al centro de servicio Makita local.

- Brocas con punta de carburo SDS-Plus
- Broca
- Broca de diamante
- Conjunto de mandril
- Mandril S13
- Adaptador de mandril
- Llave del mandril S13
- Grasa para brocas
- Empuñadura lateral
- Calibre de profundidad
- Bulbo de extracción
- Tapa contra el polvo
- Accesorio para extractor de polvo
- Gafas de seguridad
- Maletín de plástico para el transporte
- Mandril automático

Ruido

ENG102-3

Nivel de ruido típico de ponderación A establecido según EN60745:

- Nivel de presión de sonido (L_{pA}): 89 dB (A)
- Nivel de potencia de sonido (L_{WA}): 100 dB (A)
- Incertidumbre (K): 3 dB (A)

Utilice protección para los oídos.

Vibración

ENG217-2

Valor total de vibración (suma de vectores triaxiales) establecido según EN60745:

- Modo de trabajo: taladrado de percusión en hormigón
- Emisión de vibraciones ($a_{h,HD}$): 15,0 m/s²
- Incertidumbre (K): 1,5 m/s²

ENG302-2

- Modo de trabajo: taladrado en metal
- Emisión de vibraciones ($a_{h,D}$): 2,5 m/s² o menos
- Incertidumbre (K): 1,5 m/s²

ENG901-1

- El valor de emisión de vibraciones se ha medido de acuerdo con el método de prueba estándar y se puede utilizar para comparar herramientas.
- El valor de emisión de vibraciones declarado también se puede usar en una evaluación preliminar de la exposición.

ADVERTENCIA:

- La emisión de vibraciones durante el uso de la herramienta eléctrica puede diferir del valor de emisiones declarado, dependiendo de las formas en que se utiliza la herramienta.
- Asegúrese de identificar las mediciones correctas para proteger al operario, que se basan en una estimación de la exposición en condiciones de uso reales (teniendo en cuenta todas las partes del ciclo de operaciones, como los momentos en los que la herramienta está apagada y cuando funciona al ralentí además del tiempo en que está activado el interruptor).

Sólo para los países europeos

Declaración de conformidad de la CE

ENH101-13

Nosotros, Makita Corporation, en calidad de fabricante responsable, declaramos que las siguientes máquinas Makita:

Designación de la máquina: Martillo rotativo

Nº de modelo/ Tipo: HR2230

son de producción serie y

Cumplen con las siguientes Directivas europeas:

98/37/EC hasta el 28 de diciembre de 2009 y después con 2006/42/EC desde el 29 de diciembre de 2009

Y se han fabricado de acuerdo con los siguientes estándares o documentos estandarizados:

EN60745

La documentación técnica la conserva nuestro representante autorizado en Europa, que es:

Makita International Europe Ltd.,
Michigan, Drive, Tongwell,
Milton Keynes, MK15 8JD, Inglaterra

30 de enero de 2009



Tomoyasu Kato
Director
Makita Corporation
3-11-8, Sumiyoshi-cho,
Anjo, Aichi, JAPAN

PORTUGUÊS (Instruções de origem)

Descrição geral

- | | | |
|---|-----------------------------|--------------------------------|
| 1. Gatilho | 8. Apertar | 16. Recipiente de pó |
| 2. Botão de bloqueio | 9. Dentes | 17. Fole |
| 3. Manipulo de mudança de rotação | 10. Saliência | 18. Adaptador do mandril |
| 4. Manipulo de mudança de modo de funcionamento | 11. Haste da broca | 19. Mandril da broca sem chave |
| 5. Base do apoio | 12. Lubrificador da broca | 20. Manga |
| 6. Apoio lateral | 13. Broca | 21. Anel |
| 7. Desapertar | 14. Tampa do mandril | |
| | 15. Medidor de profundidade | |

ESPECIFICAÇÕES

Modelo		HR2230
Capacidades	Betão	22 mm
	Broca de coroa	54 mm
	Broca de coroa de diamante (tipo seco)	65 mm
	Aço	13 mm
	Madeira	32 mm
Sem velocidade de rotação em carga (mín. ⁻¹)		0 -1.050
Sopros por minuto		0 - 4.050
Comprimento total		357 mm
Peso líquido		2,6 kg
Classe de segurança		II/II

- Devido à pesquisa e desenvolvimento constantes, estas especificações estão sujeitas a alteração sem aviso prévio.
- Estas especificações podem diferir de país para país.
- Peso de acordo com procedimento EPTA de 01/2003

Utilização prevista ENE042-1

A ferramenta destina-se a perfuração por impacto em tijolos, cimento e pedra.

É também adequada para perfurar sem impacto em madeira, metal, cerâmica e plástico.

Fonte de alimentação ENF002-1

A ferramenta apenas deve ser ligada a uma fonte de alimentação da mesma tensão que a indicada na chapa de especificações, e apenas pode funcionar com uma alimentação CA monofásica. Estão blindadas duplamente, de acordo com a Norma Europeia e podem, assim, ser igualmente ligadas a tomadas sem fio terra.

Avisos gerais de segurança para ferramentas eléctricas GEA010-1

⚠ AVISO Leia todos os avisos de segurança e todas as instruções. O não cumprimento dos avisos e instruções pode resultar na ocorrência de choques eléctricos, incêndios e/ou ferimentos graves.

Guarde todos os avisos e instruções para referência futura.

AVISOS DE SEGURANÇA DO MARTELO PERFURADOR GEB007-6

NÃO deixe que o progressivo à vontade com o produto (resultante de uma utilização frequente) o faça esquecer o estrito cumprimento das regras de segurança de utilização do produto. Se utilizar a ferramenta incorrectamente ou não respeitar as regras de segurança, poderá ferir-se gravemente.

1. **Use protecção para os ouvidos.** A exposição ao ruído pode provocar a perda de audição.
2. **Utilize a(s) pega(s) auxiliar(es) fornecida(s) com a ferramenta.** A perda de controlo pode provocar ferimentos pessoais.
3. **Quando executar operações em que acessórios de corte possam entrar em contacto com fios eléctricos ocultos ou com próprio cabo eléctrico da ferramenta, tenha o cuidado de tocar apenas nas superfícies isoladas desses acessórios.** O acessório de corte em contacto com um fio eléctrico ligado à corrente pode electrificar as peças de metal da ferramenta e provocar um choque.
4. **Use um capacete de segurança, óculos de protecção e/ou visor de protecção.** Os óculos normais ou óculos de sol **NÃO** são óculos de segurança. É igualmente recomendável que use uma máscara de pó e luvas forradas grossas.
5. **Certifique-se que a broca fixa no lugar antes de a utilizar.**

6. Em funcionamento normal, a ferramenta está concebida para produzir vibrações. Os parafusos podem soltar-se facilmente, podendo provocar danos ou um acidente. Verifique se os parafusos estão bem apertados antes de utilizar o aparelho.
7. Em tempo frio ou quando a ferramenta não for usada durante muito tempo, deixe-a arrefecer durante um bocado antes de a utilizar sem carga. Isto melhora a lubrificação. Sem um arrefecimento correcto, o processo de martelagem pode tornar-se difícil.
8. Procure uma posição em pé estável e firme. Se utilizar a ferramenta em locais altos, verifique se não há ninguém por baixo.
9. Segure a ferramenta com firmeza, com as duas mãos.
10. Afaste as mãos das peças em movimento.
11. Não abandone a ferramenta a funcionar. Ponha-a a funcionar apenas quando estiver a segurá-la.
12. Não aponte a ferramenta a ninguém quando a estiver a utilizar. A broca pode soltar-se e ferir alguém seriamente.
13. Não toque numa broca nem nos seus componentes logo após a operação porque podem estar demasiado quentes.
14. Alguns materiais contêm químicos que podem ser tóxicos. Tenha cuidado para evitar a inalação e o contacto da pele com o pó produzido. Obedeça às instruções de segurança do fornecedor do material.

GUARDE ESTAS INSTRUÇÕES.

AVISO:

Uma **UTILIZAÇÃO INCORRECTA** ou o não cumprimento das regras de segurança indicadas neste manual de instruções poderão causar ferimentos graves.

DESCRIÇÃO DO FUNCIONAMENTO

PRECAUÇÃO:

- Certifique-se sempre de que a ferramenta está desligada no interruptor e da tomada antes de proceder a ajustes ou testes à mesma.

O gatilho/interruptor (Fig. 1)

PRECAUÇÃO:

- Antes de inserir a ficha da ferramenta na tomada, verifique se o gatilho está a funcionar correctamente e se volta à posição "OFF" quando o solta.

Para colocar a ferramenta em funcionamento prima o gatilho. A velocidade da ferramenta aumenta com a pressão exercida no gatilho. Para parar a ferramenta, solte o gatilho. Para um funcionamento contínuo, puxe o gatilho e pressione o botão de bloqueio. Para parar a ferramenta da posição de bloqueada, puxe totalmente o gatilho e solte-o.

Inverter a direcção da rotação (Fig. 2)


PRECAUÇÃO:


- Verifique sempre a direcção da rotação antes da operação.
- Este interruptor deve ser utilizado apenas quando a ferramenta estiver completamente parada. Se alterar a direcção da rotação antes da ferramenta ter parado pode avariá-la.
- Se o gatilho não puder ser premido, verifique se o interruptor se encontra totalmente colocado na posição ◀ (lado A) ou ▶ (lado B).

Esta ferramenta tem um interruptor que permite inverter a direcção da rotação. Mova o manípulo de mudança de rotação para a posição ◀ (lado A) para rotação no sentido dos ponteiros do relógio, ou para a posição ▶ (lado B) para rotação no sentido contrário ao dos ponteiros do relógio.

Seleção do modo de funcionamento (Fig. 3)

Esta ferramenta possui um manípulo que permite seleccionar o modo de funcionamento. Selecciono, dos dois modos disponíveis, o mais apropriado a cada trabalho que for efectuar.

Para uma rotação simples, rode o manípulo até que a seta que se encontra no manípulo aponte para o símbolo  no corpo da ferramenta.

Para uma rotação com acção de martelo, rode o manípulo até que a seta que se encontra no manípulo aponte para o símbolo  no corpo da ferramenta.

PRECAUÇÃO:

- O manípulo deve ficar sempre bem posicionado no símbolo pretendido. Se puser a ferramenta a funcionar com o manípulo numa posição indefinida entre os dois símbolos, a ferramenta pode avariar-se.
- Utilize o manípulo apenas quando a ferramenta estiver completamente parada.

Limitador de binário

O limitador de binário actua quando um denominado nível de binário é atingido. O motor desengata do veio de saída. Quando isto acontecer, a broca pára de girar.

PRECAUÇÃO:

- Assim que o limitador de binário actuar, desligue a ferramenta imediatamente. Isto ajuda a evitar uma deterioração prematura da ferramenta.
- Algumas brocas, como as brocas cranianas, que tendem a prender facilmente no buraco, não são apropriadas para esta ferramenta. Estas brocas fazem com que o limitador de binário actue com demasiada frequência.

MONTAGEM

PRECAUÇÃO:

- Certifique-se sempre de que a ferramenta está desligada no interruptor e da tomada antes de efectuar qualquer trabalho na mesma.

Apoio lateral (pega auxiliar) (Fig. 4)

PRECAUÇÃO:

- Utilize sempre o apoio lateral para garantir a segurança de funcionamento.

Instale o apoio lateral de forma a que os dentes no apoio entrem nas saliências no cano da ferramenta. Apertam girando no sentido do ponteiro dos relógios na posição desejada. Rodam 360° de forma a ficarem seguras em qualquer posição.

Lubrificante para brocas

Revista previamente a cabeça da haste da broca com uma pequena dose de lubrificante (cerca de 0,5 - 1 g).

A lubrificação do mandril assegura um funcionamento suave e uma maior duração.

Instalar ou retirar a broca (Fig. 5)

Limpe a haste da broca e aplique lubrificante na broca antes de a instalar. (Fig. 6)

Introduza a broca na ferramenta. Gire a broca e empurre-a até encaixar.

Após instalar, certifique-se sempre de que a broca está bem fixa, tentando puxá-la para fora.

Para retirar a broca, puxe a tampa do mandril para baixo completamente e retire a broca. (Fig. 7)

Medidor de profundidade (Fig. 8)

O medidor de profundidade é conveniente para perfurar buracos de profundidade uniforme. Liberte o apoio lateral e introduza o medidor de profundidade no buraco no apoio lateral. Ajuste o medidor de profundidade para a profundidade desejada e aperte o apoio lateral.

NOTA:

- O medidor de profundidade não pode ser usado na posição em que o medidor de profundidade fique contra o compartimento de velocidade.

Recipiente de pó (Fig. 9)

Use o recipiente de pó para impedir que entre pó na ferramenta ou em si próprio ao efectuar perfurações por cima da cabeça. Encaixe o recipiente de pó na broca como demonstra a figura. O tamanho das brocas em que o recipiente de pó pode ser encaixado é apresentado a seguir.

	Diâmetro da broca
Recipiente de pó 5	6 mm - 14,5 mm
Recipiente de pó 9	12 mm - 16 mm

FUNCIONAMENTO

Função de perfuração com percussão

Posicione a broca no ponto onde deseja efectuar a perfuração e prima o gatilho. Não force a ferramenta. Se aplicar uma leve pressão obterá melhores resultados. Concentre-se em manter a ferramenta na posição correcta e não deixar que a broca saia do orifício.

Não aplique mais pressão quando o orifício começar a ficar entupido com partículas do material perfurado. Em vez disso, coloque a ferramenta em compasso de espera e retire parcialmente a broca do orifício. Repetindo este

processo várias vezes, manterá o orifício limpo e uma perfuração normal.

PRECAUÇÃO:

- No início da perfuração, quando o orifício começa a ficar entupido com partículas do material que está a ser perfurado ou quando a perfuração encontra reforços no interior do betão, é exercida uma força enorme que pode causar movimentos inesperados na broca. Utilize sempre o apoio lateral (pega auxiliar) e segure bem na ferramenta pelo apoio lateral e pega do interruptor enquanto trabalha. Se não o fizer poderá perder o controlo da ferramenta e sofrer potenciais ferimentos graves.

NOTA:

Pode ocorrer excentricidade na rotação da broca enquanto trabalhar na ferramenta sem carga. A ferramenta centra-se automaticamente durante o funcionamento. Isto não afecta a precisão de perfuração.

Fole (acessório opcional) (Fig. 10)

Depois de perfurado o orifício, utilize o fole para retirar o entulho e partículas.

Perfurar em madeira ou metal (Fig. 11 e 12)

Utilize o mandril da broca opcional. Quando o montar, consulte a secção "Instalar ou retirar a broca" descrita na página anterior.


Segure no anel e rode a manga no sentido contrário ao dos ponteiros do relógio para abrir as garras. Introduza a broca no mandril, até ao fundo. Segure bem no anel e rode a manga no sentido dos ponteiros do relógio para apertar o mandril.

Para remover a broca, segure no anel e rode a manga no sentido contrário ao dos ponteiros do relógio. Coloque o manípulo de mudança do modo de funcionamento na posição "rotação simples".

Pode perfurar até 13 mm de diâmetro em metal e até 32 mm de diâmetro em madeira.

PRECAUÇÃO:

- Nunca utilize "rotação com acção de martelo" quando a broca de mandril estiver montada na ferramenta. A broca de mandril pode ficar danificada. Além disso, a broca de mandril sairá quando inverter a ferramenta.
- Se exercer demasiada força sobre a ferramenta, a velocidade de perfuração não aumentará. Na verdade, o excesso de força acabará apenas por danificar a ponta da broca, diminuir o desempenho da ferramenta e diminuir o seu tempo de vida funcional.
- No início da perfuração já é exercida uma enorme força de torção na broca e na própria ferramenta. Mantenha a ferramenta firme e concentre-se no posicionamento da broca no início da perfuração.
- Uma broca encravada pode ser removida com facilidade invertendo o sentido da rotação na ferramenta. No entanto, deve ter cuidado porque a ferramenta pode exercer uma força súbita para trás, se não estiver bem segura.
- Quando trabalhar em peças pequenas fixe-as num torno ou num dispositivo similar.

- Quando executar perfurações com coroa de diamante, coloque sempre o manípulo de mudança de modo na posição  para usar a função de “rotação simples”. Se fizer perfurações com coroa de diamante utilizando a função de “rotação com acção de martelo”, a broca de coroa de diamante pode ficar danificada.

Modo de trabalho: perfuração em metal

Emissão de vibração ($a_{h,D}$): 2,5 m/s² ou menos

Imprecisão (K): 1,5 m/s²

MANUTENÇÃO

PRECAUÇÃO:

- Certifique-se sempre de que a ferramenta está desligada no interruptor e da tomada antes de inspeccionar ou fazer a manutenção da ferramenta.
- Para manter os níveis de SEGURANÇA e FIABILIDADE, as reparações, inspeção e substituição das escovas de carvão e outras operações de manutenção ou ajuste devem ser executadas por centros de assistência Makita autorizados e, no caso de substituição de peças, estas devem ser igualmente Makita.

ACESSÓRIOS

PRECAUÇÃO:

- Os seguintes acessórios ou extensões são os recomendados para utilizar com a ferramenta Makita especificada neste manual. A utilização de outros acessórios ou extensões podem provocar ferimentos. Utilize cada acessório ou extensão apenas para o fim indicado.

Se precisar de informações adicionais relativas aos acessórios, contacte o centro local de assistência Makita.

- Brocas com ponta de carboneto SDS-Plus
- Broca de coroa
- Broca de coroa de diamante
- Mandril de broca
- Mandril de broca S13
- Adaptador do mandril
- Chave de mandril S13
- Lubrificante para brocas
- Apoio lateral
- Medidor de profundidade
- Fole
- Recipiente de pó
- Acessório do extractor de pó
- Óculos protectores
- Saco de transporte de plástico
- Mandril da broca sem chave

Ruído

ENG102-3

Os níveis acústicos ponderados A típicos foram determinados segundo a EN60745:

Nível de pressão sonora (L_{pA}): 89 dB (A)

Nível de potência sonora (L_{WA}): 100 dB (A)

Imprecisão (K): 3 dB (A)

Use protecção para os ouvidos.

Vibração

ENG217-2

O valor total da vibração (soma vectorial triaxial) é determinado segundo a EN60745:

Modo de trabalho: martelagem de percussão em cimento

Emissão de vibrações ($a_{h,HD}$): 15,0 m/s²

Imprecisão (K): 1,5 m/s²

- O valor da emissão de vibração declarado foi medido de acordo com o método de teste padrão e pode ser utilizado para comparar uma ferramenta com outra.
- O valor da emissão de vibração declarado pode também ser utilizado numa avaliação preliminar de exposição.

⚠ AVISO:

- A emissão de vibração durante a utilização real da ferramenta eléctrica pode ser diferente do valor de emissão declarado, dependendo da forma como a ferramenta é utilizada.
- Certifique-se de que identifica medidas de segurança, para proteger o operador, que são baseadas numa estimativa de exposição nas condições reais de utilização (tendo em conta todas as partes do ciclo de funcionamento, como as vezes que a ferramenta é desligada e quando está a trabalhar ao ralenti, além do tempo de utilização).

Apenas para os países europeus

Declaração de conformidade EC

ENH101-13

A Makita Corporation, na qualidade do fabricante responsável, declara que a(s) máquina(s) Makita seguinte(s):

Designação da máquina: Martelo misto

N.º de modelo/Tipo: HR2230

são produzidas em série e

estão em conformidade com as Directivas Europeias seguintes:

98/37/EC até 28 de Dezembro de 2009 e, de seguida, com a 2006/42/EC a partir de 29 de Dezembro de 2009

E são fabricadas de acordo com as normas ou os documentos padronizados seguintes:

EN60745

A documentação técnica é mantida pelo nosso representante autorizado na Europa, que é:

Makita International Europe Ltd.,
Michigan, Drive, Tongwell,
Milton Keynes, MK15 8JD, Inglaterra

30 de Janeiro de 2009



Tomoyasu Kato
Director

Makita Corporation
3-11-8, Sumiyoshi-cho,
Anjo, Aichi, JAPAN

DANSK (Originalvejledning)

Forklaring til generel oversigt

1. Kontaktgreb	8. Stram	15. Dybdemåler
2. Låseknop	9. Tænder	16. Støvopsamler
3. Skiftekontakthåndtag	10. Fremspring	17. Udblæsningskolbe
4. Funktionsknop	11. Værktøjsskæftet	18. Borepatronadapter
5. Håndtagsbase	12. Smørelse til spids	19. Nøgleløs borepatron
6. Sidehåndtag	13. Spids	20. Muffe
7. Løsn	14. Værktøjsholder	21. Ring

SPECIFIKATIONER

Model	HR2230	
Kapaciteter	Beton	22 mm
	Kernebor	54 mm
	Diamantkernebor (tør type)	65 mm
	Stål	13 mm
	Træ	32 mm
Hastighed uden belastning (min ⁻¹)	0 - 1.050	
Slag pr. minut	0 - 4.050	
Længde i alt	357 mm	
Nettovægt	2,6 kg	
Sikkerhedsklasse	II/II	

- På grund af vores løbende forsknings- og udviklingsprogram kan specifikationerne heri ændres uden forudgående varsel.
- Specifikationerne kan variere fra land til land.
- Vægt i henhold til EPTA-Procedure 01/2003

Tilsigtet brug ENE042-1

Dette værktøj er beregnet til slagboring og boring i mursten, beton og sten.

Det er også velegnet til boring uden slag i træ, metal, keramik og plastik.

Strømforsyning ENF002-1

Værktøjet bør kun sluttes til en strømforsyning med den spænding, der er angivet på navnepladen, og det kan kun benyttes med enkeltfasnet vekselstrøm. Det er dobbelt isoleret i overensstemmelse med europæisk standard og kan derfor også sluttes til stikkontakter uden jordforbindelse.

Generelle sikkerhedsadvarsler for maskiner GEA010-1

⚠ ADVARSEL Læs alle sikkerhedsadvarsler og alle instruktioner. Hvis De ikke følger alle advarsler og instruktioner, kan det medføre elektrisk stød, brand og/eller alvorlig personskade.

Gem alle advarsler og instruktioner til senere reference.

SIKKERHEDSADVARSLER FOR BRUG AF BOREHAMMER GEB007-6

LAD IKKE tryghed eller kendskab til produktet (fra gentagen brug) føre til, at du ikke strengt overholder

sikkerhedsreglerne for det gældende produkt. Hvis værktøjet anvendes på usikker eller forkert vis, kan du komme alvorligt til skade.

1. **Bær høreværn.** Udsættelse for støj kan medføre høreskader.
2. **Benyt de ekstra håndtag, der eventuelt leveres med værktøjet.** Hvis du mister kontrollen, kan du komme til skade.
3. **Hold maskinen på de isolerede gribeplader, når du udfører arbejde, hvor det skærende tilbehør kan komme i kontakt med skjulte ledninger eller maskinens egen ledning.** Hvis det skærende tilbehør kommer i kontakt med en strømførende ledning, kan udsatte metaldele på maskinen blive strømførende, hvorved operatøren kan få elektrisk stød.
4. **Bær hård hovedbeklædning (sikkerhedshjelm), beskyttelsesbriller og/eller ansigtsmaske. Almindelige briller eller solbriller er IKKE beskyttelsesbriller. Det anbefales desuden kraftigt at bære støvmaske og kraftigt polstrede handsker.**
5. **Kontroller, at bitten sidder godt fast før brug.**
6. **Værktøjet er designet til at forårsage vibration ved normal brug. Skruer kan nemt løsne sig og medføre et nedbrud eller en ulykke. Kontroller før brug, at skruerne sidder stramt.**
7. **Under kolde forhold, eller når værktøjet ikke har været anvendt i længere tid, skal du lade værktøjet varme op et stykke tid ved at lade det køre i tomgang. Derved løsnes smøremidlet. Uden**

korrekt opvarmning kan betjening af hammeren være vanskelig.

8. Sørg altid for at have et solidt fodfæste. Sørg for, at der ikke er nogen under dig, når du benytter værktøjet på højtliggende steder.
9. Hold godt fast i værktøjet med begge hænder.
10. Hold hænderne på afstand af bevægelige dele.
11. Gå ikke fra værktøjet, mens det kører. Lad kun værktøjet køre, mens du holder det i hænderne.
12. Ret ikke værktøjet mod personer i nærheden, mens det kører. Bitten kan flyve ud og forårsage alvorlig personskade.
13. Berør ikke bitten eller dele i nærheden af bitten umiddelbart efter brugen. De kan være meget varme og kan forårsage forbrændinger af huden.
14. Nogle materialer indeholder kemikalier, som kan være giftige. Sørg for, at forhindre indånding af støv og kontakt med huden. Følg materialeleverandørens sikkerhedsdata.

GEM DISSE INSTRUKTIONER.

ADVARSEL:

FEJLAGTIGT BRUG eller manglende overholdelse af de sikkerhedsregler, der gives i denne brugervejledning, kan forårsage alvorlig personskade.

FUNKTIONSBESKRIVELSE

FORSIGTIG:

- Sørg altid for, at værktøjet er slukket, og at stikket er taget ud af stikkontakten, før De justerer værktøjet eller kontrollerer dets funktion.

Betjening af kontakt (Fig. 1)

FORSIGTIG:

- Før værktøjet tilsluttes, skal De altid kontrollere, at kontaktgrebet reagerer korrekt og vender tilbage til "OFF"-stillingen, når De slipper det.

For at starte værktøjet skal De blot trykke på kontaktgrebet. Værktøjets hastighed forøges ved at trykke hårdere på kontaktgrebet. Slip kontaktgrebet for at stoppe. Hvis værktøjet skal bruges i længere tid ad gangen, skal De trykke på kontaktgrebet og derefter trykke låseknappen ind. Når De vil stoppe værktøjet fra den låste position, skal De trykke kontaktgrebet helt ind og derefter slippe det.

Betjening af skiftekontakten (Fig. 2)

FORSIGTIG:

- Kontroller altid rotationsretningen før anvendelsen.
- Betjen ikke skiftekontakten, før værktøjet er helt stoppet. Hvis rotationsretningen ændres, når værktøjet ikke er helt stoppet, kan det beskadige værktøjet.
- Hvis kontaktgrebet ikke kan trykkes ind, skal De kontrollere, om skiftekontakten er stillet helt i position ◁ (A-siden) eller ▷ (B-siden).

Værktøjet har en skiftekontakt til at ændre rotationsretningen. Flyt skiftekontakten til position ◁ (A-siden) for rotation med uret eller til position ▷ (B-siden) for rotation mod uret.

Valg af funktionstilstand (Fig. 3)

Værktøjet har en knap til skift af funktionstilstand. Brug knappen til at vælge den af de to tilstande, der passer til Deres arbejde.

For kun at vælge rotation drejes knappen, så pilen på værktøjet peger mod ⚙-symbolet på værktøjet.

For at vælge rotation med slag drejes knappen, så pilen på værktøjet peger mod ⚙⚡-symbolet på værktøjet.

FORSIGTIG:

- Indstil altid knappen helt hen til symbolet for den ønskede tilstand. Hvis værktøjet betjenes med knappen placeret midt mellem tilstandssymbolerne, kan værktøjet blive beskadiget.
- Betjen ikke knappen, før værktøjet er helt stoppet.

Skridkoblingen

Skridkoblingen vil udløses, når et vist momentniveau nås. Motoren vil koble fra drivakslen. Når dette sker, holder spidsen op med at dreje rundt.

FORSIGTIG:

- Så snart skridkoblingen udløses, skal værktøjet slukkes med det samme. Dette vil hjælpe med til at forhindre, at værktøjet nedslides for tidligt.
- Spidsen som f.eks. stiksav, der nemt kommer i klemme eller sætter sig fast i hullet, bør ikke benyttes sammen med dette værktøj. Dette skyldes, at skridkoblingen vil blive udløst for tit.

MONTERING

FORSIGTIG:

- Sørg altid for, at værktøjet er slukket og taget ud af stikkontakten, før De udfører nogen form for arbejde på værktøjet.

Sidehåndtag (ekstra håndtag) (Fig. 4)

FORSIGTIG:

- Anvend altid sidehåndtaget af hensyn til betjeningssikkerheden.

Indsæt sidehåndtaget, så tænderne på håndtaget passer ind mellem fremspringene på værktøjscylinerens. Stram derefter håndtaget ved at dreje til ønsket position med uret. Det kan svinges 360°, så det kan fastgøres i en hvilken som helst position.

Smørelse til spids

Indsmør halsen på boret med en lille smule fedtstof (cirka 0,5 - 1 g).

Denne smøring af patronen sikrer en jævn betjening og længere holdbarhed.

Montering og afmontering af spidsen (Fig. 5)

Rengør værktøjsskafet, og smør fedtstof på det, før spidsen monteres. (Fig. 6)

Sæt spidsen i værktøjet. Drej spidsen, og tryk den ind, indtil den går i indgreb.

Efter montering skal De altid sikre Dem, at spidsen sidder godt fast, ved at forsøge at trække den ud.

For at udtage spidsen skal patrondækslet trækkes helt ned, hvorefter spidsen fjernes. (Fig. 7)

Dybdemåler (Fig. 8)

Dybdemåleren kan bruges til at bore huller, som har samme dybde. Løsn sidehåndtaget, og isæt dybdemåleren i hullet i sidehåndtaget. Juster dybdemåleren, så den har den ønskede dybde, og stram sidehåndtaget til.

BEMÆRK:

- Dybdemåleren kan ikke bruges i den position, hvor dybdemåleren rammer gearhuset.

Støvopsamler (Fig. 9)

Brug støvopsamleren til at undgå, at støv falder ned over værktøjet og på Dem selv, når der bores over hovedet. Fastgør støvopsamleren til spidsen, sådan som det er vist i figuren. Størrelsen på spidserne, som støvopsamleren kan monteres på, er som følger.

	Borediameter
Støvopsamler 5	6 mm - 14,5 mm
Støvopsamler 9	12 - 16 mm

BETJENING

Betjening ved slagboring

Placer spidsen på det sted, hvor hullet skal bores, og træk i kontakthåndtaget. Brug ikke magt på værktøjet. Et let tryk giver det bedste resultat. Hold værktøjet på positionen, og undgå, at det glider væk fra hullet.

Anvend ikke mere tryk, når hullet bliver tilstoppet med spåner eller partikler. Lad i stedet værktøjet køre i tomgang, og tag spidsen delvist ud af hullet. Når De gentager denne fremgangsmåde flere gange, tømmes hullet, og De kan fortsætte med at bore.

FORSIGTIG:

- Værktøjet og spidsen udsættes for en voldsom og pludselig kraft på det tidspunkt, hvor spidsen bryder igennem, når hullet tilstoppes med spåner og partikler, eller når værktøjet rammer armeringsjern i beton. Anvend altid sidehåndtaget (ekstra håndtag) og hold godt fast i værktøjet i både sidehåndtaget og kontakthåndtaget under betjening. Hvis De ikke gør dette, kan De miste kontrollen med maskinen, hvilket kan forårsage alvorlig personskade.

BEMÆRK:

Excentricitet i spidsrotationen kan forekomme, når værktøjet betjenes uden belastning. Værktøjet centrerer sig selv under betjening. Dette indvirker ikke på præcisionen under boring.

Udblæsningskolbe (fås som tilbehør)

(Fig. 10)

Når hullet er boret, kan De bruge udblæsningskolben til at fjerne støv fra hullet.

Boring i træ eller metal (Fig. 11 og 12)


Brug borepatronsættet, som fås som ekstraudstyr. Se "Montering og afmontering af borespidsen" på forrige side, når den skal monteres.

Hold i ringen, og drej muffen mod uret for at åbne patronkæberne. Sæt spidsen i patronen, til den ikke kan komme længere ind. Hold godt fast i ringen, og drej muffen med uret for at stramme patronen.

Hold fast i ringen, og drej muffen mod uret for at tage spidsen ud. Indstil funktionsknappen til "kun rotation".

De kan bore med en diameter på op til 13 mm i metal og op til 32 mm i træ.

FORSIGTIG:

- Brug aldrig "rotation med slag", når borepatronsættet er monteret på værktøjet. Borepatronsættet kan blive beskadiget. Desuden vil borepatronen blive frigiort, når værktøjets retning vendes.
- Boringen går ikke hurtigere, hvis De trykker hårdt på værktøjet. Det ekstra tryk vil blot beskadige spidsen, så værktøjets ydelse forringes, og dets levetid forkortes.
- Værktøjet og spidsen er under påvirkning af stærke vridningskræfter på det tidspunkt, hvor spidsen bryder igennem. Hold godt fast i værktøjet, og vær opmærksom, når spidsen begynder at bryde igennem arbejdsområdet.
- Hvis spidsen sidder fast, kan den tages ud ved blot at indstille skiftekontakten til baglæns rotation for at bakke den ud. Vær imidlertid opmærksom på, at værktøjet kan bakke ud pludseligt, hvis De ikke holder godt fast i det.
- Fastgør altid små arbejdsområder i en skruestik eller lignende udstyr til fastgørelse.
- Når der bores med diamantkernebor, skal De altid sætte skiftehåndtaget i -positionen for at benytte indstillingen "kun rotation". Hvis der bores med diamantkernebor i indstillingen "rotation med slag", kan diamantborespidsen blive beskadiget.

VEDLIGEHOVELSE

FORSIGTIG:

- Sørg altid for, at værktøjet er slukket, og at stikket er taget ud, før De forsøger at udføre inspektion eller vedligeholdelse.
- For at holde produktet SIKKERT og PÅLIDELIGT skal reparationer, kontrol og udskiftning af kulbørsterne samt al anden vedligeholdelse eller justering udføres af autoriserede Makita-servicecentre, og der skal altid benyttes Makita-reservedele.

TILBEHØR

FORSIGTIG:

- Dette tilbehør eller ekstraudstyr anbefales til brug med det Makita-værktøj, som er beskrevet i denne brugsanvisning. Brug af andet tilbehør eller ekstraudstyr kan forårsage personskade. Brug kun tilbehør eller ekstraudstyr til det formål, det er beregnet til.

Henvend Dem til Deres lokale Makita-servicecenter, hvis De har brug for hjælp eller yderligere oplysninger vedrørende tilbehøret.

- SDS-Plus karbidforstærkede spidser
- Kernebor
- Diamantkernebor
- Borepatronsæt
- Borepatron S13
- Patronadapter
- Patronnøgle S13
- Smørelse til spids

- Sidegreb
- Dybdemåler
- Udblæsningskolbe
- Støvsopsamler
- Sugesaet til støv, ekstraudstyr
- Sikkerhedsbriller
- Plastikbæretaske
- Nøgleløs borepatron

Den tekniske dokumentation findes hos vores autoriserede repræsentant i Europa:
Makita International Europe Ltd.,
Michigan, Drive, Tongwell,
Milton Keynes, MK15 8JD, England

30. januar 2009



Tomoyasu Kato
Direktør
Makita Corporation
3-11-8, Sumiyoshi-cho,
Anjo, Aichi, JAPAN

Støj ENG102-3

Det typiske A-vægtede lydtrykniveau bestemt i overensstemmelse med EN60745:

Lydtrykniveau (L_{pA}): 89 dB (A)
Lydkræftniveau (L_{WA}): 100 dB (A)
Usikkerhed (K): 3 dB (A)

Bær høreværn.

Vibration ENG217-2

Den samlede vibrationsværdi (treaksiel vektorsum) bestemt i overensstemmelse med EN60745:

Arbejdstilstand: hammerboring i beton
Vibrationsemission ($a_{h,HD}$): 15,0 m/s²
Usikkerhed (K): 1,5 m/s²

ENG302-2

Arbejdstilstand: boring i metal
Vibrationsemission ($a_{h,D}$): 2,5 m/s² eller mindre
Usikkerhed (K): 1,5 m/s²

ENG901-1

- Den opgivne vibrationsemissionsværdi er målt i overensstemmelse med standardtestmetoden og kan bruges til at sammenligne et værktøj med et andet.
- Den opgivne vibrationsemissionsværdi kan muligvis også bruges til en indledende eksponeringsvurdering.

⚠ ADVARSEL:

- Vibrationsemissionen under den faktiske brug af maskinen kan afvige fra den opgivne emissionsværdi afhængigt af den måde, maskinen anvendes på.
- Sørg for at bestemme sikkerhedsforanstaltninger for beskyttelse af operatøren, som er baseret på en eksponeringsvurdering for brug under faktiske forhold (hvor alle anvendelsescyklussens dele inddrages, som f.eks. antal gange maskinen slukkes, og når den kører i tomgang ud over triggertiden).

Kun for lande i Europa

EC-erklæring vedrørende overholdelse af standarder

ENH101-13

Vi, Makita Corporation, erklærer som ansvarlig producent at følgende Makita-maskine(r):

Maskinens betegnelse: Borehammer
Modelnummer/ type: HR22230
er en produktionsserie og

Overholder følgende europæiske direktiver:

98/37/EC indtil den 28. december 2009 og derefter
2006/42/EC fra den 29. december 2009

Og er produceret i overensstemmelse med følgende standarder eller standardiserede dokumenter:

EN60745

ΕΛΛΗΝΙΚΑ (Πρωτογενείς οδηγίες)

Περιγραφή γενικής όψης

- | | | |
|-------------------------------|---------------------|----------------------------------|
| 1. Σκανδάλη-διακόπτης | 8. Σφιξίμο | 15. Μετρητής βάθους |
| 2. Κουμπί κλειδώματος | 9. Δόντια | 16. Κύπελλο σκόνης |
| 3. Αναστροφικό | 10. Προεξοχή | 17. Φυσητήρι |
| 4. Λαβή αλλαγής τρόπου δράσης | 11. Κολάρο μύτης | 18. Προσαρμογέας κεφαλής |
| 5. Βάση λαβής | 12. Γράσο για μύτες | 19. Κεφαλή δράπανου χωρίς κλειδί |
| 6. Πλαϊνή λαβή | 13. Μύτη | 20. Περιβλημά |
| 7. Ξεσφιζτε | 14. Κάλυμμα κεφαλής | 21. Δασκτύλιος |

ΠΡΟΔΙΑΓΡΑΦΕΣ

Μοντέλο		HR2230
Χωρητικότητες	Τσιμέντο	22 mm
	Πυρηνοληπτική μύτη	54 mm
	Πυρηνοληπτική μύτη διαμαντιού (ξηρού τύπου)	65 mm
	Ατσάλι	13 mm
	Ξύλο	32 mm
Ταχύτητα χωρίς φορτίο (min ⁻¹)		0 -1.050
Κρούσεις το λεπτό		0 - 4.050
Ολικό μήκος		357 mm
Καθαρό βάρος		2,6 κιλά
Τάξη ασφάλειας		II/II

- Λόγω του συνεχόμενου προγράμματος που εφαρμόζουμε για έρευνα και ανάπτυξη, τα τεχνικά χαρακτηριστικά στο παρόν έντυπο υπόκεινται σε αλλαγή χωρίς προειδοποίηση.
- Τα τεχνικά χαρακτηριστικά μπορεί να διαφέρουν ανάλογα με τη χώρα.
- Βάρος σύμφωνα με την διαδικασία ΕΡΤΑ 01/2003

Προοριζόμενη χρήση ENE042-1

Το εργαλείο προορίζεται για κρουστικό τρυπάνισμα και τρυπάνισμα σε τούβλα, τσιμέντο και πέτρα.

Είναι επίσης κατάλληλο για τρυπάνισμα χωρίς κρούση σε ξύλο, μέταλλο, κεραμικό και πλαστικό.

Ηλεκτρική παροχή ENF002-1

Το εργαλείο πρέπει να συνδέεται μόνο σε ηλεκτρική παροχή της ίδιας τάσης με αυτήν που αναγράφεται στην πινακίδα ονομαστικών τιμών και μπορεί να λειτουργήσει μόνο με εναλλασσόμενο μονοφασικό ρεύμα. Τα εργαλεία αυτά διαθέτουν διπλή μόνωση που συμμορφώνεται με τα ευρωπαϊκά πρότυπα και συνεπώς μπορούν να συνδεθούν με πρίζες χωρίς γείωση.

Γενικές Προειδοποιήσεις Ασφαλείας Του Ηλεκτρικού Εργαλείου

GEA010-1

⚠ ΠΡΟΕΙΔΟΠΟΙΗΣΗ Διαβάστε όλες τις προειδοποιήσεις ασφαλείας και όλες τις οδηγίες. Αν δεν ακολουθήσετε όλες τις προειδοποιήσεις και τις οδηγίες, υπάρχει κίνδυνος ηλεκτροπληξίας, πυρκαγιάς ή/και σοβαρού τραυματισμού.

Φυλάξτε όλες τις προειδοποιήσεις και τις οδηγίες για μελλοντική αναφορά.

ΠΡΟΕΙΔΟΠΟΙΗΣΕΙΣ ΑΣΦΑΛΕΙΑΣ ΠΕΡΙΣΤΡΟΦΙΚΟΥ ΔΡΑΠΑΝΟΥ

GEB007-6

ΜΗΝ επιτρέψετε στη βολικότητα ή στην εξοικειώσή σας με το προϊόν (που αποκτήθηκε από επαγγελματική χρήση) να αντικαταστήσει την αυστηρή προσήλωση στους κανόνες ασφαλείας του εν λόγω προϊόντος. Εάν χρησιμοποιήσετε αυτό το εργαλείο με ανασφαλές ή λανθασμένο τρόπο, ενδέχεται να υποστείτε σοβαρό τραυματισμό.

1. **Να φοράτε ωτοασπίδες.** Η έκθεση σε θόρυβο μπορεί να προκαλέσει απώλεια ακοής.
2. **Να χρησιμοποιείτε τη βοηθητική λαβή(ες), εάν παρέχονται με το εργαλείο.** Η απώλεια του ελέγχου μπορεί να προκαλέσει προσωπικό τραυματισμό.
3. **Να κρατάτε το ηλεκτρικό εργαλείο από τις μονωμένες λαβές όταν εκτελείτε εργασίες κατά τις οποίες το κοπτικό εξάρτημα μπορεί να έρθει σε επαφή με μη ορατά καλώδια ή με το δικό του καλώδιο τροφοδοσίας.** Αν το κοπτικό εξάρτημα έρθει σε επαφή με κάποιο ηλεκτροφόρο καλώδιο, τα εκτεθειμένα μεταλλικά μέρη του ηλεκτρικού εργαλείου θα γίνουν κι αυτά ηλεκτροφόρα και μπορεί να προκληθεί ηλεκτροπληξία στο χειριστή.
4. **Να φοράτε ένα σκληρό καπέλο (κράνος ασφαλείας), γυαλιά ασφαλείας ή/και προσωπίδα.** Τα συνηθισμένα γυαλιά ή τα γυαλιά ηλίου ΔΕΝ αποτελούν γυαλιά ασφαλείας. Συνιστάται επίσης

ένθερμα να φοράτε προσωπίδα κατά της σκόνης και γάντια με παχιά επένδυση.

5. Πριν θέσετε το εργαλείο σε λειτουργία, βεβαιωθείτε ότι η μύτη είναι ασφαλισμένη στη θέση της.
6. Σε κανονικές συνθήκες λειτουργίας, το εργαλείο είναι σχεδιασμένο να παράγει κραδασμούς. Οι βίβες μπορούν εύκολα να ξεβιδωθούν και να προκληθεί βλάβη του εργαλείου ή ατύχημα. Πριν θέσετε το εργαλείο σε λειτουργία, ελέγξτε αν οι βίβες είναι σφιγμένες.
7. Όταν έχει κρύο καιρό ή όταν δεν έχετε χρησιμοποιήσει το εργαλείο για μεγάλη χρονική περίοδο, αφήστε το εργαλείο να λειτουργήσει για λίγη ώρα χωρίς φόρτο. Με αυτό το τρόπο θα κυκλοφορήσει το λιπαντικό. Αν δεν γίνει σωστό ζέσταμα, θα υπάρχει δυσκολία στη λειτουργία σφυρηλάτησης.
8. Να βεβαιώνετε πάντοτε ότι στέκεστε σταθερά. Όταν χρησιμοποιείτε το εργαλείο σε υψηλές τοποθεσίες, να βεβαιώνετε ότι δεν βρίσκεται κανένας από κάτω.
9. Να κρατάτε το εργαλείο γερά και με τα δύο χέρια.
10. Μην πλησιάζετε τα χέρια σας σε κινούμενα μέρη.
11. Μην αφήνετε το εργαλείο σε λειτουργία. Το εργαλείο πρέπει να βρίσκεται σε λειτουργία μόνο όταν το κρατάτε.
12. Όταν το εργαλείο βρίσκεται σε λειτουργία, μην το στρέψετε προς την κατεύθυνση κανενός ατόμου που βρίσκεται στην περιοχή. Η μύτη μπορεί να εκτοξευτεί και να προκληθεί σοβαρός τραυματισμός σε άλλο άτομο.
13. Μην αγγίζετε τη μύτη ή τα μέρη που βρίσκονται κοντά στη μύτη αμέσως μετά τη λειτουργία του εργαλείου. Μπορεί να είναι εξαιρετικά θερμά και να προκληθεί έγκαυμα στο δέρμα σας.
14. Μερικά υλικά περιέχουν χημικές ουσίες που μπορεί να είναι τοξικές. Να προσέχετε ώστε να αποφεύγετε την εισπνοή της σκόνης και την επαφή με το δέρμα. Ακολουθείτε τα δεδομένα ασφαλείας υλικού που παρέχονται από τον προμηθευτή.

ΦΥΛΑΞΤΕ ΑΥΤΕΣ ΤΙΣ ΟΔΗΓΙΕΣ.

ΠΡΟΕΙΔΟΠΟΙΗΣΗ:

Η ΛΑΝΘΑΣΜΕΝΗ ΧΡΗΣΗ ή η αμέλεια να ακολουθήσετε τους κανόνες ασφαλείας που διατυπώνονται στο παρόν εγχειρίδιο οδηγίων μπορεί να προκαλέσει σοβαρό προσωπικό τραυματισμό.

ΠΕΡΙΓΡΑΦΗ ΛΕΙΤΟΥΡΓΙΑΣ

ΠΡΟΣΟΧΗ:

- Να βεβαιώνετε πάντοτε ότι το εργαλείο είναι σβηστό και αποσυνδεδεμένο από το ηλεκτρικό ρεύμα πριν ρυθμίζετε ή ελέγχετε κάποια λειτουργία του.

Δράση διακόπτη (Εικ. 1)

ΠΡΟΣΟΧΗ:

- Πριν συνδέετε το εργαλείο, πάντοτε να ελέγχετε ότι η σκανδάλη-διακόπτης ενεργοποιείται κανονικά και επιστρέφει στη θέση OFF όταν την αφήνετε.

Για να ξεκινήσετε το εργαλείο, απλά πιέστε τη σκανδάλη-διακόπτη. Αν αυξήσετε την πίεση στη σκανδάλη-διακόπτη, αυξάνεται η ταχύτητα του εργαλείου. Για να σταματήσετε, αφήστε τη σκανδάλη-διακόπτη. Για συνεχόμενη λειτουργία, πατήστε τη σκανδάλη-διακόπτη και κατόπιν πατήστε το κουμπί κλειδώματος. Για να βγάλετε το εργαλείο από την κλειδωμένη θέση, πιέστε πλήρως τη σκανδάλη-διακόπτη και κατόπιν αφήστε την.

Δράση αναστροφικού (Εικ. 2)

ΠΡΟΣΟΧΗ:

- Πριν από τη λειτουργία, να ελέγχετε πάντοτε την κατεύθυνση περιστροφής.
- Να χρησιμοποιείτε το αναστροφικό μόνο όταν το εργαλείο είναι εντελώς ακινητοποιημένο. Αν αλλάξετε την κατεύθυνση περιστροφής πριν ακινητοποιηθεί το εργαλείο, μπορεί να προκληθεί βλάβη στο εργαλείο.
- Αν δεν μπορεί να πατηθεί η σκανδάλη του διακόπτη, ελέγξτε πως ο διακόπτης αναστροφικού έχει ρυθμιστεί τελειώς στη θέση ◁ (πλευρά Α) ή ▷ (πλευρά Β). Το εργαλείο αυτό διαθέτει αναστροφικό για να αλλάξετε την κατεύθυνση περιστροφής. Μετακινήστε το αναστροφικό στη θέση ◁ (πλευρά Α) για δεξιόστροφη περιστροφή ή στη θέση ▷ (πλευρά Β) για αριστερόστροφη περιστροφή.

Επιλογή του τρόπου δράσης (Εικ. 3)

Το εργαλείο αυτό χρησιμοποιεί ένα κουμπί αλλαγής τρόπου δράσης. Επιλέξτε με το κουμπί αυτό έναν από τους δύο τρόπους, ο οποίος είναι κατάλληλος για την εργασία σας.

Για περιστροφή μόνο, στρέψτε το κουμπί ώστε το βέλος στο κύριο σώμα του κουμπιού να δείχνει στο σύμβολο ☯ στο σώμα του εργαλείου.

Για περιστροφή με κρουστική δράση, στρέψτε το κουμπί ώστε το βέλος στο κύριο σώμα του κουμπιού να δείχνει στο σύμβολο ☰ στο σώμα του εργαλείου.

ΠΡΟΣΟΧΗ:

- Να ρυθμίζετε πάντοτε τελειώς το κουμπί στο σύμβολο για τον τρόπο δράσης που θέλετε. Εάν θέσετε το εργαλείο σε λειτουργία με το κουμπί τοποθετημένο μεταξύ των ενδείξεων τρόπου δράσης, μπορεί να προκληθεί βλάβη στο εργαλείο.
- Χρησιμοποιείτε το κουμπί μετά που το εργαλείο είναι εντελώς ακινητοποιημένο.

Περιοριστής ροπής

Ο περιοριστής ροπής θα ενεργοποιηθεί όταν επιτευχθεί ένα ορισμένο επίπεδο ροπής. Το μοτέρ θα αποδεσμευτεί από τον άξονα εξόδου. Όταν συμβεί αυτό, η μύτη θα σταματήσει να περιστρέφεται.

ΠΡΟΣΟΧΗ:

- Μόλις ενεργοποιηθεί ο περιοριστής ροπής, απενεργοποιήστε αμέσως το εργαλείο. Έτσι, θα προληφθεί η πρόωρη φθορά του εργαλείου.
- Μύτες όπως πριονιών για οπές, οι οποίες τείνουν να εγκλωβίζονται ή να σφηνώνουν εύκολα στην οπή, δεν είναι κατάλληλες για αυτό το εργαλείο. Αυτό συμβαίνει γιατί θα προκαλέσουν τη συχνή ενεργοποίηση του περιοριστή ροπής.

ΣΥΝΑΡΜΟΛΟΓΗΣΗ

ΠΡΟΣΟΧΗ:

- Να βεβαιώνετε πάντοτε ότι το εργαλείο είναι σβηστό και αποσυνδεδεμένο από το ηλεκτρικό ρεύμα πριν εκτελέσετε οποιαδήποτε εργασία σε αυτό.

Πλαϊνή λαβή (βοηθητική λαβή) (Εικ. 4)

ΠΡΟΣΟΧΗ:

- Να χρησιμοποιείτε πάντα την πλαϊνή λαβή για να εξασφαλίσετε την ασφάλεια κατά τη λειτουργία. Τοποθετήστε την πλαϊνή λαβή έτσι ώστε τα δόντια στη λαβή να προσαρμόζονται ανάμεσα στα προεξοχές στο κύριο τμήμα του εργαλείου. Κατόπιν, περιστρέψτε δεξιόστροφα τη λαβή στην επιθυμητή θέση για να τη σφίξετε. Μπορείτε να την περιστρέψετε κατά 360° ώστε να ασφαλίσει σε οποιαδήποτε θέση.

Γράσο για μύτες

Επικαλύψτε εκ των προτέρων την κεφαλή του κολάρου μύτες με μια μικρή ποσότητα γράσου (περίπου 0,5 έως 1 γρ.).

Αυτή η λίπανση της κεφαλής εξασφαλίζει την ομαλή δρόση και τη μακρύτερη διάρκεια λειτουργίας.

Τοποθέτηση ή αφαίρεση φρέζας (Εικ. 5)

Καθαρίστε το κολάρο μύτες και τοποθετήστε γράσο για μύτες πριν τοποθετήσετε τη μύτη. (Εικ. 6)

Τοποθετήστε τη μύτη στο εργαλείο. Περιστρέψτε τη μύτη και στρώστε τη προς τα μέσα έως ότου ασφαλίσει.

Μετά την τοποθέτηση, να προσπαθείτε πάντοτε να τραβήξετε τη μύτη για να βεβαιωθείτε ότι αυτή είναι ασφαλισμένη στη θέση της.

Για να αφαιρέσετε τη μύτη, τραβήξτε προς τα κάτω το κάλυμμα κεφαλής έως το τέρμα και τραβήξτε τη μύτη προς τα έξω. (Εικ. 7)

Μετρητής βάθους (Εικ. 8)

Ο μετρητής βάθους είναι χρήσιμος για το τρυπάνισμα οπών με ομοιόμορφο βάθος. Ξεσφίξτε την πλαϊνή λαβή και τοποθετήστε τον μετρητή βάθους στην οπή στην πλαϊνή λαβή. Ρυθμίστε το μετρητή βάθους στο επιθυμητό βάθος και σφίξτε την πλαϊνή λαβή.

ΠΑΡΑΤΗΡΗΣΗ:

- Ο μετρητής βάθους δεν μπορεί να χρησιμοποιηθεί στη θέση όπου ο μετρητής βάθους χτυπάει επάνω στο περίβλημα γραναζιού.

Κύπελλο σκόνης (Εικ. 9)

Χρησιμοποιήστε το κύπελλο σκόνης για να εμποδίζει την πτώση της σκόνης επάνω στο εργαλείο και στον εαυτό σας όταν εκτελείτε εργασίες τρυπανίσματος σε ύψος επάνω από το κεφάλι σας. Προσδέστε το κύπελλο σκόνης στη μύτη όπως απεικονίζεται στην εικόνα. Το μέγεθος των μυτιών στις οποίες μπορείτε να προσδέσετε το κύπελλο σκόνης είναι ως εξής:

	Διάμετρος μύτες
Κύπελλο σκόνης 5	6 έως 14,5 χλστ
Κύπελλο σκόνης 9	12 έως 16 χλστ

ΛΕΙΤΟΥΡΓΙΑ

Λειτουργία κρουστικού τρυπανίσματος

Τοποθετήστε τη μύτη στη θέση που επιθυμείτε να τρυπανίσετε και κατόπιν τραβήξτε τη σκανδάλη-διακόπτη. Μην ασκείτε δύναμη στο εργαλείο. Θα έχετε καλύτερα αποτελέσματα με ελαφριά πίεση. Να διατηρείτε το εργαλείο στη θέση του και να αποφεύγετε την ολίσθησή του από την οπή.

Μην ασκείτε περισσότερη πίεση σε περίπτωση που η οπή φράξει με θραύσματα ή σωματίδια. Αντ' αυτού, σταματήστε αργά τη λειτουργία του εργαλείου και κατόπιν βγάλτε τη μύτη μερικώς από την οπή. Αν επαναλάβετε τη διαδικασία αυτή μερικές φορές, η οπή θα καθαρίσει και θα μπορείτε να συνεχίσετε κανονικά το τρυπάνισμα.

ΠΡΟΣΟΧΗ:

- Ασκείται μια τεράστια και ξαφνική δύναμη στρέψης στο εργαλείο/μύτη τη στιγμή που διαπερνάει η οπή, όταν η οπή φράσσει με θραύσματα και σωματίδια ή όταν το εργαλείο/μύτη χτυπάει ράβδους ενίσχυσης που είναι ενσωματωμένες στο τσιμέντο. Να χρησιμοποιείτε πάντα την πλαϊνή λαβή (βοηθητική λαβή) και, κατά τη λειτουργία, να κρατάτε το εργαλείο καλά και από την πλαϊνή λαβή και από τη λαβή του διακόπτη. Αν δεν το κάνετε αυτό, μπορεί να έχει ως αποτέλεσμα απώλεια ελέγχου του εργαλείου και πιθανώς σοβαρό τραυματισμό.

ΠΑΡΑΤΗΡΗΣΗ:

Ενδεχομένως να προκύψει εκκεντρότητα στην περιστροφή της μύτες όταν θέτετε το εργαλείο σε λειτουργία χωρίς φορτίο. Το εργαλείο κεντράρεται αυτόματα κατά τη λειτουργία. Αυτό δεν επηρεάζει την ακρίβεια του τρυπανίσματος.

Φυσητήρι (προαιρετικό αξεσουάρ)

(Εικ. 10)

Μετά από το τρυπάνισμα της οπής, χρησιμοποιήστε το φυσητήρι για να καθαρίσετε τη σκόνη από την οπή.

Τρυπάνισμα σε ξύλο ή μέταλλο (Εικ. 11 και 12)

Χρησιμοποιήστε την προαιρετική διάταξη κεφαλής δράπανου. Όταν την τοποθετείτε, ανατρέξτε στην παράγραφο «Τοποθέτηση ή αφαίρεση της μύτες τρυπανιού» στην προηγούμενη σελίδα.


Κρατήστε το δακτύλιο και στρέψτε το περίβλημα αριστερόστροφα για να ανοίξετε τις σιαγόνες κεφαλής. Τοποθετήστε τη μύτη στην κεφαλή έως το τέρμα. Κρατήστε καλά το δακτύλιο και στρέψτε το περίβλημα δεξιόστροφα για να σφίξετε την κεφαλή.

Για να βγάλετε τη μύτη, κρατήστε το δακτύλιο και στρέψτε το περίβλημα αριστερόστροφα. Θέστε το κουμπί αλλαγής τρόπου δράσης σε "περιστροφά μόνο".

Μπορείτε να τρυπήσετε διάμετρο έως 13 χλστ σε μέταλλο και έως 32 χλστ σε ξύλο.

ΠΡΟΣΟΧΗ:

- Μη χρησιμοποιείτε ποτέ «περιστροφή με κρούση» όταν είναι τοποθετημένη στο εργαλείο η διάταξη κεφαλής δράπανου. Μπορεί να προκληθεί βλάβη στη διάταξη κεφαλής δράπανου. Επίσης, η κεφαλή δράπανου θα αποσυνδεθεί και θα πέσει κατά την αναστροφή της κίνησης του εργαλείου.

- Δεν θα επιταχυνθεί το τρυπάνισμα αν πιέζετε υπερβολικά το εργαλείο. Στην πραγματικότητα, αυτή η υπερβολική πίεση απλώς θα προκαλέσει βλάβη στο άκρο της μύτες, θα μειώσει την απόδοση του εργαλείου και θα συντομεύσει την ωφέλιμη διάρκεια ζωής του εργαλείου.
- Ασκείται τεράστια δύναμη στρέψης στο εργαλείο/μύτη τη στιγμή που διαπερνάει η οπή. Κρατήστε το εργαλείο σταθερά και προσέχετε όταν η μύτη ξεκινήσει να διαπερνάει το τεμάχιο εργασίας.
- Μπορείτε να βγάλετε μια μύτη που έχει εμπλακεί ρυθμίζοντας απλώς το αναστροφικό σε αντίστροφη κατεύθυνση περιστροφής ώστε να αποσυρθεί το εργαλείο. Όμως, το εργαλείο μπορεί να αποσυρθεί απότομα αν δεν το κρατάτε σταθερά.
- Να στερεώνετε πάντοτε τα μικρά τεμάχια εργασίας σε μέγκεν ή παρόμοια συσκευή.
- Όταν πραγματοποιείτε εργασίες τρυπάνισματος με diamond core, να ρυθμίζετε πάντα το μοχλό αλλαγής δράσης στη θέση  για να χρησιμοποιείτε τη δράση "περιστροφή μόνο". Αν πραγματοποιείτε εργασίες τρυπάνισματος diamond core χρησιμοποιώντας δράση "περιστροφής με κρούση", μπορεί να καταστραφεί η πυρηνοληπτική μύτη διαμαντιού.

ΣΥΝΤΗΡΗΣΗ

ΠΡΟΣΟΧΗ:

- Να βεβαιώνετε πάντοτε ότι το εργαλείο είναι σβηστό και αποσυνδεδεμένο από το ηλεκτρικό ρεύμα πριν εκτελέσετε οποιαδήποτε εργασία ελέγχου ή συντήρησης σε αυτό.

Για να διατηρείται η ΑΣΦΑΛΕΙΑ και η ΑΞΙΟΠΙΣΤΙΑ του προϊόντος, οι εργασίες επισκευής, ο έλεγχος και η αλλαγή των καρβουνακίων, καθώς και οποιαδήποτε άλλη εργασία συντήρησης και ρύθμισης, θα πρέπει να εκτελούνται σε εξουσιοδοτημένα κέντρα εξυπηρέτησης της Makita, και πάντοτε με τη χρήση ανταλλακτικών της Makita.

ΑΞΕΣΟΥΑΡ

ΠΡΟΣΟΧΗ:

- Συνιστάται η χρήση των παρακάτω αξεσουάρ και εξαρτημάτων με το εργαλείο της Makita μόνο όπως καθορίζεται στο παρόν εγχειρίδιο. Αν χρησιμοποιήσετε άλλα αξεσουάρ ή εξαρτήματα μπορεί να παρουσιαστεί κίνδυνος για πρόκληση ατομικού τραυματισμού. Να χρησιμοποιείτε τα αξεσουάρ και τα εξαρτήματα μόνο για το σκοπό για τον οποίο προορίζονται.

Αν χρειάζεστε κάποια βοήθεια ή περισσότερες πληροφορίες σχετικά με τα αξεσουάρ αυτά, απευθυνθείτε στο πλησιέστερο κέντρο εξυπηρέτησης της Makita.

- Μύτες με άκρο SDS-Plus καρβιδίου
- Πυρηνοληπτική μύτη
- Πυρηνοληπτική μύτη διαμαντιού
- Διάταξη κεφαλής δράπανου
- Κεφαλή δράπανου S13
- Προσαρμογέας κεφαλής
- Κλειδί κεφαλής S13
- Γράσο για μύτες
- Πλαϊνή λαβή
- Μετρητής βάθους
- Φουσητήρι
- Κύπελλο σκόνης

- Εξάρτημα εξαγωγής σκόνης
- Γυαλιά προστασίας
- Πλαστική θήκη μεταφοράς
- Κεφαλή δράπανου χωρίς κλειδί

Θορύβος

ENG102-3

Το σύνθετος σταθμισμένο επίπεδο θορύβου που έχει καθοριστεί σύμφωνα με την EN60745:

Επίπεδο ηχητικής πίεσης (L_{pA}): 89 dB (A)
Επίπεδο ηχητικής ισχύος (L_{WA}): 100 dB (A)
Αβεβαιότητα (K): 3 dB (A)

Να φοράτε ωτοασπίδες.

Δόνηση

ENG217-2

Η συνολική τιμή δόνησης (διανυσματικό άθροισμα τριών αξόνων) που έχει καθοριστεί σύμφωνα με την EN60745:

Κατάσταση λειτουργίας: κρουστική διάτρηση σε τσιμέντο
Εκπομπή δόνησης ($a_{n,HD}$): 15,0 m/s²
Αβεβαιότητα (K): 1,5 m/s²

ENG302-2

Κατάσταση λειτουργίας: διάτρηση σε μέταλλο
Εκπομπή δόνησης ($a_{n,D}$): 2,5 m/s² ή λιγότερο
Αβεβαιότητα (K): 1,5 m/s²

ENG901-1

- Η δηλωθείσα τιμή των παραγομένων κραδασμών έχει καταμετρηθεί σύμφωνα με την τυποποιημένη μέθοδο δοκιμίας και μπορεί να χρησιμοποιηθεί για την σύγκριση ενός εργαλείου με ένα άλλο.
- Η δηλωθείσα τιμή των παραγομένων κραδασμών μπορεί επίσης να χρησιμοποιηθεί για μια προκαταρκτική αξιολόγηση της έκθεσης στους κραδασμούς.

⚠ ΠΡΟΕΙΔΟΠΟΙΗΣΗ:

- Η εκπομπή κραδασμών κατά τη διάρκεια της πραγματικής χρήσης του ηλεκτρικού εργαλείου μπορεί να διαφέρει από τη δηλωθείσα τιμή των εκπομπών, ανάλογα με τον τρόπο με τον οποίο χρησιμοποιείται το εργαλείο.
- Φροντίστε να λάβετε τα μέτρα ασφαλείας που απαιτούνται για την προστασία του χρήστη που βασίζονται σε μια εκτίμηση της έκθεσης σε πραγματικές συνθήκες χρήσης (λαμβάνοντας υπόψη όλα τα μέρη του κύκλου λειτουργίας, όπως είναι οι περιπτώσεις κατά τις οποίες το εργαλείο είναι απενεργοποιημένο και όταν λειτουργεί στο ρελαντί επιπρόσθετως του χρόνου κατά τον οποίο το εργαλείο βρίσκεται σε χρήση).

Για τις ευρωπαϊκές χώρες μόνο

EC Δήλωση Συμμόρφωσης

ENH101-13

Η Εταιρία Makita ως υπεύθυνος κατασκευαστής, δηλώνει ότι το παρακάτω μηχάνημα ή μηχανήματα της Makita:

Όνομασία Μηχανήματος: Περιστροφικό σφυρί
Αρ. Μοντέλου/ Τύπος: HR2230

αποτελούν παραγωγή σε σειρά και

Συμμορφώνονται με τις ακόλουθες Ευρωπαϊκές

Οδηγίες:

98/37/EK έως την 28η Δεκεμβρίου 2009 και επακόλουθα με την 2006/42/EK από την 29η Δεκεμβρίου 2009

Και κατασκευάζονται σύμφωνα με τα παρακάτω πρότυπα
ή τυποποιημένα έγγραφα:

EN60745

Ο εξουσιοδοτημένος μας αντιπρόσωπος στην Ευρώπη
διατηρεί τα τεχνικά έγγραφα, ο οποίος είναι:

Makita International Europe Ltd.,
Michigan, Drive, Tongwell,
Milton Keynes, MK15 8JD, England

30η Ιανουαρίου 2009



Tomoyasu Kato
Διευθυντής
Makita Corporation
3-11-8, Sumiyoshi-cho,
Anjo, Aichi, JAPAN

Makita Corporation
Anjo, Aichi, Japan

www.makita.com

884703C999

ALA