



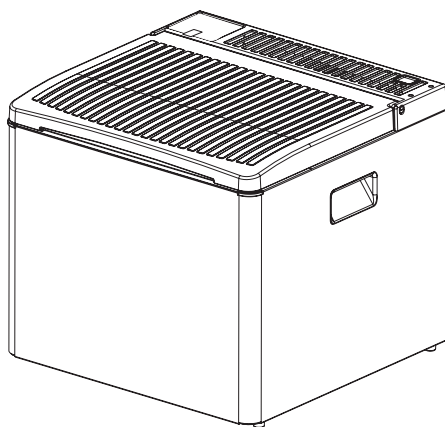
RC 1200 EGP

RC 1600 EGP

RC 1700 EGP

RC 2200 EGP

Type: JCB-1



Operating Instructions
Notice d' utilisation
Istruzioni per l'uso
Gebruiksaanwijzing
Manual de Instrucciones





Please read these operating instructions carefully before putting the refrigeration unit into operation. If you later sell or dispose of it, please ensure that the new owner receives these operating instructions.

Thank you for choosing our appliance. We are sure it will provide you with trouble-free use.

In the following, we would like to familiarise you with some symbols, which we bring to your attention to ensure the safe and efficient operation of the appliance:



source of danger, in event of improper operation



suggested useful tips to read



information concerning environmental protection

The cooling box you have purchased is designed for operation from electrical mains, from a vehicle battery or from bottled (LP) gas.



Attention!

- Your portable Refrigerator - **in gas operation** - must only be used in a well-ventilated place, above ground, where it is protected from rain or water splashes.
- **In electrical operation**, the appliance can be used in an enclosed area. However the appliance must still be protected from moisture.
- The unit **must not be used with gas operation in motor vehicles and boats** whilst the vehicle or boat is in motion!
- Operation using liquid gas in enclosed spaces is not permitted!

THIS COOLING UNIT MAY ONLY BE USED WITH GAS OUT OF DOORS!

Outdoor use includes tents (awnings) which are well ventilated throughout unit operation and flat garden terraces.

- In this appliance the storage of any toxic or explosive substance is forbidden!
- Only operate this appliance on one energy source at a time.
- This appliance is not intended for use by persons (including children) with reduced physical, sensory or mental capabilities, or lack of experience and knowledge, unless they have been given supervision or instruction concerning use of the appliance by a person responsible for their safety.
Children should be supervised to ensure that they do not play with the appliance.
- It is important in the interests of efficiency, to give the back of the unit as much ventilation as possible to allow the heat to escape. The hottest spot is in the vicinity of the burner, and **particularly when operating on gas**, it is essential that this place be kept clear of any obstruction or flammable materials.

CONTENTS

1. Unpacking
2. View of the appliance
3. Cleaning
4. Positioning the appliance
5. Using the appliance
 - 5.1. From electrical mains
 - 5.2. From vehicle battery
 - 5.3. From bottled gas
6. Ice-making
7. Useful suggestions
8. Defrosting, cleaning and maintenance
9. Customer service
10. Putting into operation, technical data
 - 10.1. Connecting to electrical mains
 - 10.2. Connecting to vehicle battery
 - 10.3. Connecting to as cylinder
 - 10.4. Connection of gas supply
11. Environmental protection information
12. Recycling



ATTENTION!

Warranty arrangements are in accordance with EC Directive 44/19999/CE and the normal conditions applicable in the country concerned.

For warranty or other servicing, such as spare-parts, please contact our Dometic Service Network.

The warranty does not cover any damage due to improper use.

The warranty does not cover any modifications to the appliance or the use of non-original Dometic spareparts.

The warranty does not apply if the installing and operating instructions are not adhered to.

When contacting Dometic Service Network, please state the model, product number and serial number.

You will find this information on the data plate on the rear cover of the refrigerator.

1. Unpacking

After removal from the cardboard packaging, make sure the appliance is not damaged. If you find damage to the appliance resulting from transport, report it immediately to the transportation firm.

2. View of the appliance

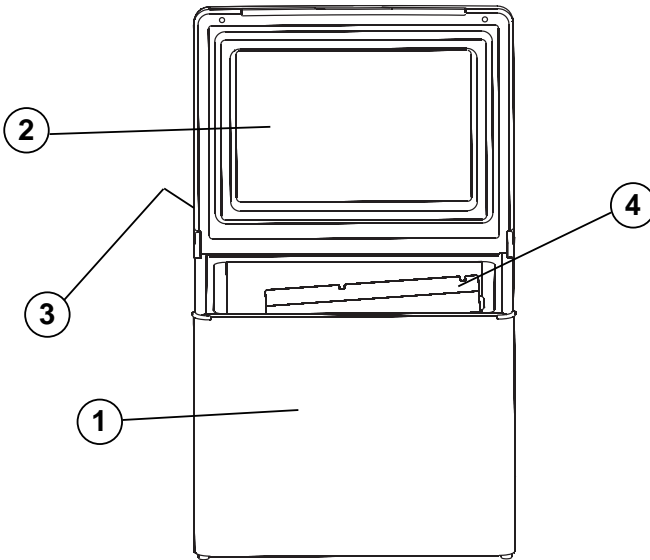


Figure 1.

1. insulated casing

2. insulated lid

3. control panel

4. evaporator panel

3. Cleaning

i Clean both the inside and outside of the appliance before putting it into use.

- To do so, use a soft towel, lukewarm water and a non-abrasive detergent. Ensure water does not enter the rear cover grille or the control elements.
- Afterwards, wipe the appliance with a clean towel and cleanwater, and then wipe it dry.
- To avoid damage, do not use soap, soda or abrasive cleaners.

4. Positioning the appliance

i During the refrigeration process, the appliance gives off heat from the condenser (under the upper part of the rear cover) into the surrounding air. The more ventilated the condenser is, the more effective the refrigeration will be.

- The other condition for satisfactory operation is that the appliance stands on a flat surface. This is best seen by placing a glass of water on top of the appliance.
- It is important that the appliance is not directly exposed to radiated heat (sunlight, radiator, near an oven, etc.).
- In gas operation following clearances should be kept from the walls or other materials: from the back side of the appliance minimum 10cms, from both sidewalls 4cms each, from the top of the appliance minimum 30 cms, from the bottom minimum 5 cms.
- In the immediate vicinity of the appliance within the specified distances no inflammable matters (paper, wood, grass, textile etc.) should be met with.

5. Using the appliance

The cable for mains connection, the 12V connecting cable and the connector for the gas hook-up are located on the rear cover of the cooling box. (Figure 2).

5.1. Operating from electrical mains

Make sure the voltage shown on the data plate of the appliance matches that of the mains voltage to which you wish to connect the appliance. Pull out the mains connecting cable and connect it to a receptacle earthed socket for connection.

When connecting the appliance for the first time, set the thermostat (Figure 4. A), to maximum; then, after about five hours, set it back towards minimum according to your need of cooling.

NB: Plug is provided according to specific regulations in each country and may be different to that shown.

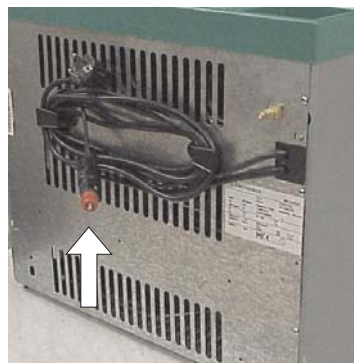


Figure 2.

5.2. Operating from vehicle battery

Make sure the voltage shown on the data plate of the appliance matches the voltage of the vehicle battery (12V or 24V).

12V DC voltage appliances are equipped with connectors that can be plugged into cigarette lighters (Figure 3.). For some types of vehicles, you may need to remove the red plastic ring located on the end of the connector. To do so, turn the plastic ring anti-clockwise and pull it off. The appliance can then be connected to the cigarette lighter. In 12V operation, the appliance runs uninterrupted without temperature control.

24V DC voltage appliances are shipped with bare wire ends. The wire ends must be connected to a terminal block, which is connected to the vehicle battery via a 5A fuse and 5A switch.

i Whenever the engine is not running, the appliance connector must be removed from the cigarette lighter (12V appliance) or the switch turned off (24V appliance). Otherwise, the appliance will discharge the vehicle battery rapidly.

5.3. Operating from bottled gas

Connection to the gas cylinder is described in sections 9.3. and 9.4.

After opening the valve of the gas cylinder and checking for gas leaks turn thermostat to maximum position (Figure 4. B), press down the gas safety valve hold it down for about 10 seconds and then, press the piezo-ignition button (marked with a star Figure 4. C) several times in quick succession. If the flame does not ignite, repeat the process. (Air in the appliance gas line prior to connection to the gas cylinder must be purged. Only then can the gas be lit.).

The control knob has 4 positions:

- ☺ : high flame (MAX) = gas supply maximum (high ambient temperature ~32 °C);
- ☺ : medium flame (MID)= gas supply medium (normal ambient temperature ~ 25°C);
- ☺ : low flame (MIN) = gas supply minimum (low ambient temperature ~ 16°C);
- : off-position = gas supply to burner is shut off.

Ignition of the flame can be verified through the flameview opening (Figure 5). After you have the flame alight keep the safety gas valve pressed down for a further 20 seconds.

To stop the gas operation the valve of the gas cylinder (or the pressure regulator) is to close.



Figure 3.

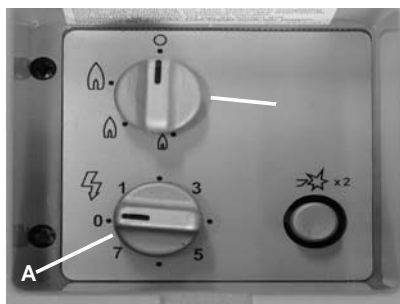


Figure 4.

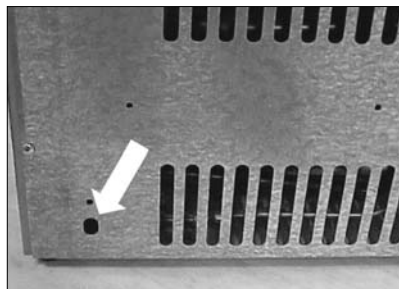


Figure 5.

6. Ice-making

Fill the ice-tray with drinking water to within 4/5 from the top and cover with lid. Wipe off any drops of water which may be on the tray and lid to prevent freezing together and place in the cooler on the refrigerating unit. Ice will be made more quickly when the thermostat knob (for electric operation) or regulating knob (for liquid gas operation) is set to MAX for a short time. (When ice has formed, do not forget to return the knob to its normal setting.)

To remove the ice, allow the ice-tray to defrost slightly for a while or run it under tap water at normal temperature before removing the lid from the tray. The ice cubes can now be removed easily from the tray.

7. Useful suggestions

- When setting out on a trip, run the appliance on 230 V (in thermostat setting between "min" and "max") for 24 hours prior to departure. Place food in a precooled condition into the appliance.
- Frost forms on the evaporator panel when in operation. When opening the lid or putting in food, some of this frost melts and collects in the form of water on the bottom of the appliance. Wipe the water off occasionally using a sponge.
- Avoid putting foods with fragile packaging (such as glass) into the cooling box. Movements and shaking of the unit may cause these items to break.
- Once the cooling box is in its permanent position, make sure foods do not come into contact with the evaporator panel, as this can cause freezer-burn to the foods.

8. Defrosting, cleaning and maintenance

For defrosting, always unplug the appliance from an electrical power source to avoid the risk of shock.

Make sure no other power source is connected (gas or 12V/24V). Remove food from the refrigeration unit and leave the lid open. Depending on the temperature, frost melts in a short time from the evaporator panel, with water collecting at the bottom of the appliance.

Wipe it off using a towel. Afterwards, clean the appliance by following the instructions in section 3.

Leave the lid ajar to prevent any odours from forming.

The appliance does not require any further maintenance.

9. Customer service

Before notifying customer service, please check the following:

- Are location and ventilation satisfactory?
- Is the appliance level?
- Is there a current in the wall socket and is the connection suitable for the appliance?
- Is the mains power cable damaged?
- For mains operation, is the electric thermostat switched on?
- For gas operation, was the safety valve knob pressed down long enough?
- Is the thermostat knob set towards the maximum position?
- Is the gas cylinder or the pressure regulator valve open?
- Is there any gas in the cylinder? (If by shaking, no liquid movement can be detected, then the cylinder is empty.)
- Are by any chance two different power sources connected (such as gas or electricity)?
- Was warm food placed in the unit?
- Was a large quantity of food put in at one time?


If after checking the above, the appliance still does not operate properly, contact customer service.

When reporting the problem, state the type of problem, the type of appliance, and the product number and serial number from the data plate.

We assume the warranty in accordance with our warranty assumptions for the appliance.

www.dometic.com

10. Putting into operation

 You must, in all instances, operate the appliance from a single energy source only. Connecting several energy sources at the same time will cause failure of the appliance.

Technical data:

Model	RC 1200 EGP RC 1700 EGP RC 2200 EGP	RC 1600 EGP
Type	JCB - 1	JCB - 1
Gross volume	41 litre	33 litre
Mains operation	220 - 240V (AC)	220 - 240V (AC)
Input	85W	75W
Energy consumption	1.38 kWh/24h	1.35 kWh/24h
Battery operation	12V (DC)	12V (DC) 24V (DC)
Input	85W	75W 65W
Energy consumption	170Ah/24h	150Ah/24h 65Ah/24h
Gas pressure (p)	28-30/37 mbar	28-30/37 mbar
Gas classification	I ₃₊	I ₃₊
Jet size	2	2
Rated thermal loading: butane (propane)	134W - 9,8 g/h (118W - 8,4g/h)	134W - 9,8 g/h (118W - 8,4g/h)
Min.thermal loading: butane (propane)	106W - 7,7g/h (86W - 6,1g/h)	106W - 7,7g/h (86W - 6,1g/h)
Climate class	N	N
Refrigerant	143g H ₂ O + 67g NH ₃	143g H ₂ O + 67g NH ₃

10.1. Connecting to electrical mains

Make sure no other energy source is connected (gas, 12V).



The appliance may only be operated from nominal voltage mains as shown on the data plate. The appliance mains plug may be connected to a mains socket earthed in accordance with regulations.

Any electrical work required to install this appliance should be carried out by a qualified electrician or competent person.

The manufacturer declines any liability should these safety measures not be observed.

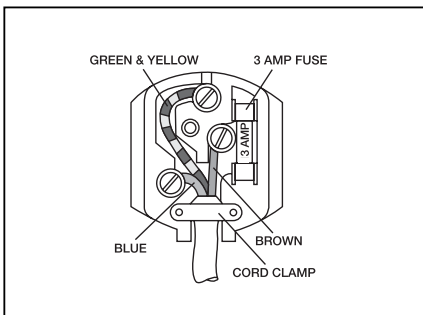
Electrical Requirements

Before switching on, make sure the electricity supply voltage is the same as that indicated on the appliance data plate.

Only for UK:

The appliance is supplied with a 3 amp plug fitted. In the event of having to change the fuse in the plug supplied, a 3 amp ASTA approved (BS 1362) fuse must be used. Should the plug need to be replaced for any reason, the wires in the mains lead are coloured in accordance with the following code:

Green and Yellow:	Earth
Blue:	Neutral
Brown:	Live



The wire coloured green and yellow must be connected to the terminal marked with the letter „E“ or by the earth symbol (⊕) or coloured green and yellow.

The wire coloured blue must be connected to the terminal „N“ or coloured black.

The wire coloured brown must be connected to the terminal marked „L“ or coloured red.

Upon completion there must be no cut, or stray strands of wire present and the cord clamp must be secure over the outer sheath.

10.2. Connecting to vehicle power source

Make sure no other energy source is connected (gas, 230V).

A safety fuse must be installed in the electricity supply between battery and the cooling box in a duct.

12V appliances must be connected to a vehicle cigarette lighter, which is protected with a 10A fuse.

24V appliances must be connected by inserting a terminal block and switch and protected with a 5A fuse. The switch must be suitable for switching a 5A current.

It is not necessary to consider the polarity when connecting the unit.

In case you need a longer cable, please refer to the table below:

Cable cross section	max. cable lengths	
	12 V	24 V
2.5 mm ² until	2.5 m	5 m
4.0 mm ² until	4.0 m	8 m
6.0 mm ² until	6.0 m	12 m

Do not connect a cable thicker than 2.5 mm² into the cigarette lighter plug! Please build a terminal block connection.

10.3. Connecting to gas cylinder

Make sure no other energy source is connected (230V, 12V).

The unit must not be connected to town or natural gas pipelines. It is only suitable for use with propane/butane gas (e.g. Calor Gas, Camping Gaz, Caravangas, etc.).

The cooling box is equipped for a specific gas-pressure, corresponding to the standard pressure of the country in which it is sold. The data plate states the pressure that is correct. It is important that a non-adjustable pressure-regulator must be used to reduce the pressure in the gas cylinder to the operating pressure specified on the data plate. No other pressure may be used.

Needle valve-operated gas valves are NOT suitable for use with this appliance and must not be used as a substitute for a pressure regulator.

10.4. Connection of gas supply

(The following instructions refer in the main to coolers manufactured in the United Kingdom. For other countries please refer to your supplier.)

Always connect in the following sequence:

GAS BOTTLE → PRESSURE-REGULATOR → APPLIANCE.

To connect the appliance to the pressure-regulator an APPROVED FLEIBLE GAS TUBE must be used. This must not be longer than 1,5 m - and should have an inside dimension of 8 mm and be marked BS3212/2/8. The flexible gas tube must not be twisted! It must be regularly changed if it is determined in the standard of your country.

The pressure-regulator must be compatible for Butane 11 in (28 mbar) or for Propane 14 in (37 mbar).

To connect the pressure-regulator to the gas bottle, the valve of the gas bottle must be closed. After connecting the pressure regulator to the bottle by screwing, connect the two ends of the tubing to the nipples and secure them with the two hose clips. (Figure 6).

When fitting the connection to the gas inlet of the appliance (Figure 6 D), hold the counterpart to avoid straining and possibly damaging.

The gas bottle (Butane, blue bottle) may only be used in an upright position and particular care must be taken every time the appliance is connected to the gas bottle to ensure that there are no leaks, that the tubing (rubber hose) is not under tension or kinked, and that it is not in contact with hot surfaces.

The tubing and the gas bottle should always be located in positions where they will not be tripped over or otherwise inadvertently disturbed.

Before attempting to light the burner, every time after connection, turn on the gas at the bottle and check the gas connections for leaks by applying a soap and water solution over them and watching for bubbles, which would indicate a leak.

After testing dry off traces of detergent.

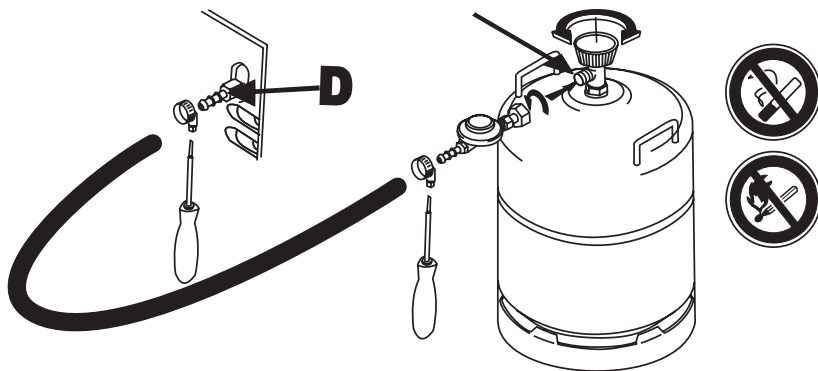


Figure 6.

**For your safety:**

Do not check for leaks with a naked flame! Do not smoke while checking for leaks!

11. Environmental protection information

The appliance does not contain any CFCs/HCFCs.

Ammonia (natural hydrogen and nitrogen compound) is used as refrigerant agent in the cooling unit.

The ozone-friendly cyclopentane is used as a blowing agent for the PU foam insulation.

Sodium chromate is used for corrosion protection (less than 2 weight % of the coolant).

12. Recycling

After unpacking the appliance, the packing materials should be delivered to a local collection site. At the end of its useful lifetime, the appliance should be delivered to a specialised recycling firm, which reclaims the usable materials. The rest is properly destroyed.



Appliances bearing this symbol must be deposited at the designated local reception point for the disposal of electrical and electronic equipment.

It is not permitted that this product be disposed of by way of the normal household refuse collection system.

Domestic refrigerators bear this symbol on the specifications plate (data plate) to be found on the rear cover of the unit.

This appliance complies with the following EEC directives:

LVD-Directive	2006/95/EC
EMC-Directive	2004/108/EC
Gas-Directive	90/396/EEC
CE-Directive	93/68/EEC
RoHS-Directive	2002/95/EC
WEEE-Directive	2002/96/EC.



Veillez lire attentivement le mode d'emploi avant de mettre le réfrigérateur en service. Si vous deviez vendre ou céder l'appareil ultérieurement, veuillez vous assurer que le mode d'emploi sera transmis au nouveau propriétaire.

Merci d'avoir choisi notre appareil. Nous espérons qu'il vous donnera entière satisfaction.

Nous vous invitons maintenant à vous familiariser avec les symboles suivants qui vous permettront d'identifier les consignes importantes permettant une utilisation efficace et sûre de votre appareil.



Source de danger en cas d'opération incorrecte



Conseils utiles



Informations se rapportant à la protection de l'environnement

Le réfrigérateur que vous venez d'acheter est équipé pour fonctionner sur secteur, sur une batterie de véhicule ou au gaz en bouteilles (LP).



Achtung!

- Votre réfrigérateur portable ne peut être utilisé, **alimenté au gaz**, que dans une pièce bien ventilée, en surface et à l'abri de la pluie ou des éclaboussures d'eau.
- Cet appareil ne peut en aucun cas être utilisé, **alimenté au gaz, à bord de véhicules ou de bateaux** en mouvement!
- Le fonctionnement au gaz liquéfié est interdit dans les locaux clos!

CET APPAREIL NE POURRA FONCTIONNER AU GAZ QU'EN PLEIN AIR!

Utilisation en plein air signifie que l'appareil pourra aussi être installé dans une tente (sous l'auvent) suffisamment ventilée ainsi que sur des terrasses de jardin planes.

- Dans le cas d'un **fonctionnement à l'électricité**, l'appareil peut également être utilisé dans des lieux fermés. Dans ce cas, il convient de l'installer dans un endroit à l'abri de l'humidité.
- Il est interdit de stocker des matières dangereuses ou explosives dans cet appareil!
- Ne mettez l'appareil en service que branché à une seule source d'énergie.
- Cet appareil n'est pas destiné à être utilisé par des personnes (y compris des enfants) présentant des troubles physiques, sensoriels ou mentaux, ou ne possédant pas une expérience ou une connaissance de l'appareil suffisante, à moins que ces personnes aient été formées à l'utilisation de cet appareil ou soient supervisées par une personne responsable de leur sécurité.

Les enfants doivent être surveillés pour éviter qu'ils jouent avec cet appareil.

- Il est important, pour que votre réfrigérateur fonctionne correctement, d'assurer une circulation d'air suffisante à l'arrière de l'appareil, afin de permettre à la chaleur de s'évacuer. L'élément le plus chaud est le brûleur, et **particulièrement si l'appareil fonctionne au gaz**, il est essentiel d'assurer que l'emplacement ne soit obstrué d'une quelconque façon et qu'aucun matériau inflammable ne se trouve à proximité (par exemple du gazon ou un revêtement de sol plastique susceptibles de prendre feu).

Table des matières

1. Déballage
2. Vue de l'appareil
3. Nettoyage
4. Positionnement de l'appareil
5. Utilisation de l'appareil
 - 5.1 Alimentation sur secteur
 - 5.2 Alimentation sur batterie auto
 - 5.3 Fonctionnement au gaz
6. Fabrication de glaçons
7. Conseils utiles
8. Dégivrage, nettoyage et entretien
9. Service après-vente
10. Mise en service, caractéristiques techniques
 - 10.1 Raccordement au secteur
 - 10.2 Raccordement sur batterie auto
 - 10.3 Raccordement d'une bouteille de gaz
 - 10.4 Accessoires nécessaires au raccordement du réfrigérateur et de la bouteille de gaz
 - 10.4.1 Raccordement d'une bouteille de gaz à robinet intégré
 - 10.4.2 Raccordement d'une bouteille de gaz à clapet anti-retour intégré
11. Informations relatives à la protection de l'environnement
12. Recyclage

**Attention!**

Les conditions de garantie sont conformes à la Décision du Comité mixte de l'EEE n° 44/1999 du 26 mars 1999 modifiant l'annexe (environnement) de l'accord EEE, et également conformes aux lois applicables dans les divers pays. Si vous avez des questions concernant la garantie, le service après-vente ou les pièces de rechange, veuillez bien vous adresser à notre réseau de services Dometic.

Les dommages résultant d'un usage inapproprié de l'appareil ne sont pas couverts par la garantie.

Les modifications apportées à l'appareil ou l'utilisation de pièces de rechange qui ne sont pas d'origine Dometic, ne sont pas couvertes par la garantie.

Le non-respect des instructions d'installation ou du mode d'emploi, entraîne l'extinction totale de cette garantie.

Veuillez bien préciser le modèle d'appareil, la référence du produit et le numéro de série si vous voulez contacter le réseau de services Dometic. Vous trouverez ces informations sur la plaque signalétique, située à l'arrière du réfrigérateur.

1. Déballage

A la réception, s'assurer après avoir déballé l'appareil que celui-ci n'a pas été endommagé pendant le transport. En cas de dégâts, il convient d'en aviser immédiatement le transporteur.

2. Vue de l'appareil

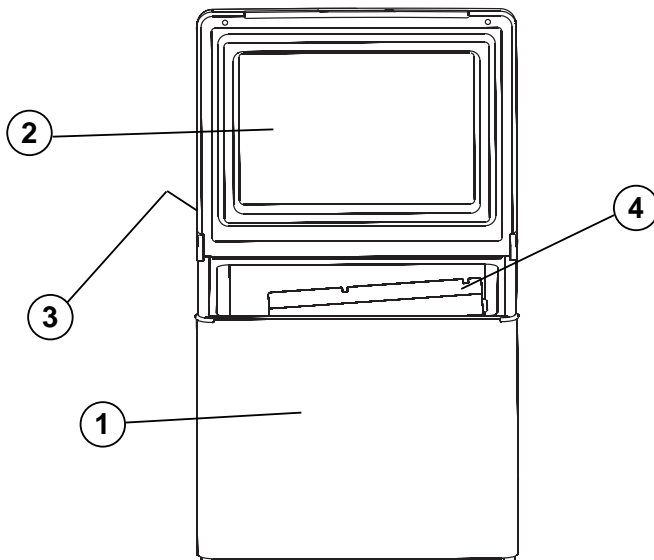


Figure 1.

- | | |
|----------------------------------|---------------|
| 1. Châssis isolé thermiquement | 3. Commandes |
| 2. Couvercle isolé thermiquement | 4. Évaporator |

3. Nettoyage

i Avant de procéder à la mise en service, il convient de nettoyer l'intérieur et l'extérieur de l'appareil.

- Utiliser à cet effet un chiffon doux et de l'eau tiède additionnée d'un détergent doux. S'assurer que l'eau ne pénètre pas dans la grille du panneau arrière ou dans les commandes.
- Ensuite rincer l'appareil à l'aide d'un chiffon propre et d'eau claire, et le sécher.
- Pour éviter d'endommager votre appareil, ne pas utiliser de savon, de soude ménagère ou de détergents abrasifs.

4. Positionnement de l'appareil

i Au cours du processus de réfrigération, l'appareil transmet la chaleur à l'air ambiant à travers le condensateur situé sous la partie supérieure du panneau arrière. Plus le condensateur est ventilé, plus le réfrigérateur sera efficace.

- L'autre condition nécessaire au bon fonctionnement est que l'appareil soit posé sur une surface plane. Le meilleur moyen de vérifier que cette condition est remplie est de poser un verre d'eau sur le dessus de l'appareil.
- Il est important de veiller à ce que l'appareil ne soit pas exposé à un rayonnement ou à une source de chaleur direct(e) (soleil, radiateur, à proximité d'un foyer, etc.)
- En cas d'alimentation au gaz, il faut prévoir les espaces de sécurité suivants : au minimum 10 cm à l'arrière de l'appareil, au minimum 4 cm de part et d'autre de l'appareil, au minimum 30 cm au-dessus de l'appareil et au minimum 5 cm entre le sol et l'appareil.
- Toute matière inflammable (papier, bois, herbe, textile, etc.) à proximité immédiate de l'appareil doit être maintenue aux distances indiquées ci-dessus.

5. Utilisation de l'appareil

Le cordon de raccordement au secteur, le câble de branchement 12 V et le connecteur de raccordement au gaz sont situés du panneau arrière du réfrigérateur (figure 2).

5.1 Alimentation sur secteur

S'assurer que le voltage indiqué sur la plaque signalétique de l'appareil correspond à la tension de la prise électrique où vous souhaitez brancher votre appareil. Déroulez le câble de branchement au secteur et connectez-le à une prise de terre pour la mise en marche de l'appareil.

Lorsque vous branchez l'appareil pour la première fois, réglez le thermostat (figure 4. A) sur maximum durant 5 heures, puis ramenez-le à une position inférieure selon vos besoins en réfrigération.

Remarque : La fiche d'alimentation électrique se conformant aux normes correspondantes des divers pays, pourra différer de celle ici illustrée.



Figure 2

5.2 Alimentation sur batterie auto

S'assurer que le voltage indiqué sur la plaque signalétique de l'appareil correspond à la tension de la batterie du véhicule (12 ou 24 V).

Les appareils 12 V CC (courant continu) sont équipés de connecteurs pouvant être branchés dans les prises allume-cigares des véhicules (figure 3). Sur certains types de véhicule, il se peut que vous soyez amené à enlever la bague en plastique rouge située à l'extrémité du connecteur.

Pour ce faire tourner la bague dans le sens inverse des aiguilles d'une montre et l'enlever. L'appareil peut alors être branché sur la prise allume-cigares. En fonctionnement 12 V, l'appareil fonctionne en continu et sans contrôle de température.

Les appareils 24 V CC sont livrés avec des extrémités de fils dénudées. Ces extrémités doivent être branchées dans un boîtier terminal relié à la batterie du véhicule par l'intermédiaire d'un fusible 5A et d'un interrupteur 5 A.

i Si le moteur du véhicule est arrêté, débranchez toujours la fiche d'alimentation de la prise allume-cigares (12 V) ou arrêtez l'appareil en passant par l'interrupteur (24 V). Si vous oubliez de le faire, la batterie de véhicule se déchargerait rapidement.

5.3 Fonctionnement au gaz

Effectuez le raccordement à la bouteille de gaz conformément aux instructions des paragraphes 9.3. et 9.4.

Après avoir ouvert la vanne de la bouteille de gaz et vérifié l'absence de fuites de gaz, mettez le thermostat en position maximum (figure 4. B), appuyez sur la soupape de sécurité du gaz, maintenez-la enfoncée pendant 10 secondes, puis appuyez de manière répétitive et rapide sur le bouton de l'allumeur piézo-électrique (repéré par une étoile, figure 4. C). Si la flamme n'apparaît pas, répétez le processus (l'air présent dans le tuyau avant branchement à la bouteille de gaz doit d'abord être évacué. Ce n'est qu'à ce moment que le gaz peut être allumé).

L'allumage de la flamme peut être vérifié au niveau de l'ouverture de contrôle de la flamme (figure 5). Lorsque la flamme est allumée, maintenez la soupape de sécurité du gaz enfoncée pendant 20 secondes supplémentaires.

Le bouton régulateur a 4 positions:

- ☹ : grosse flamme (MAX) = quantité maximum de gaz (haute température ambiante ~ 32 °C);
- ☹ : flamme moyenne (MID) = quantité moyenne de gaz (température ambiante moyenne ~ 25 °C);
- ☹ : petite flamme (MIN) = quantité minimum de gaz (température ambiante basse ~ 16 °C);
- : position arrêt = le brûleur ne reçoit pas de gaz.

Pour débrancher un appareil fonctionnant au gaz

Fermer la bouteille de gaz et le régulateur de pression et tourner le bouton **B** vers la droite sur la position d'arrêt.

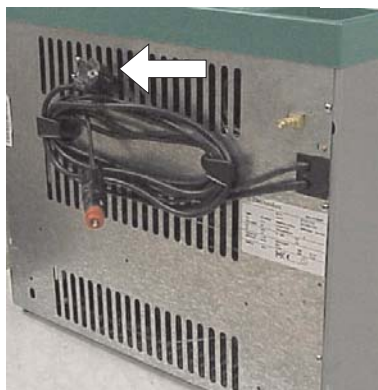


Figure 3

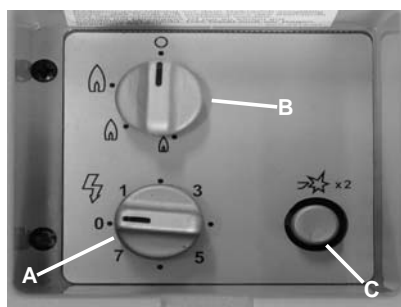


Figure 4

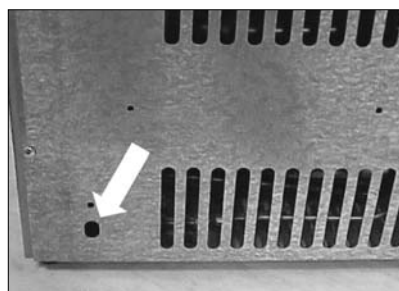


Figure 5

6. Fabrication de glaçons

Remplissez le bac à glaçons aux 4/5 avec de l'eau potable froide et fermez le couvercle. Placez ensuite le bac à glaçons sur l'étagère prévue à cet effet. Epongez tout épanchement d'eau afin d'éviter que le bac à glaçons ne reste fixé au diffuseur.

Pour accélérer la production de glaçons, vous pouvez régler temporairement sur la position "MAX" le bouton du thermostat si l'appareil fonctionne à l'électricité ou le bouton de réglage si l'appareil fonctionne au gaz. N'oubliez cependant pas de le ramener ensuite à sa position initiale.

Pour faciliter le détachement des glaçons, maintenez le bac sous un robinet d'eau froide et retirez ensuite le couvercle avec les glaçons. Les glaçons s'extraient alors facilement de leurs logements.

7. Conseils utiles

- Avant de partir en voyage, faites fonctionner l'appareil sur le secteur 230 V (thermostat en position intermédiaire entre min. et max., 24 heures avant votre départ. Placer de la nourriture préalablement réfrigérée dans l'appareil.
- Il y a formation de givre au niveau du panneau de l'évaporateur lorsque l'appareil est en marche. Lorsqu'on ouvre le couvercle ou que l'on met des aliments dans l'appareil, une partie de ce givre peut fondre et être collecté sous forme d'eau au fond du réfrigérateur. Essuyer l'eau de temps à autre à l'aide d'une éponge.
- Éviter de placer des aliments conservés dans des emballages fragiles (comme le verre) dans le réfrigérateur lorsque vous souhaitez le déplacer sur ses roues. Les mouvements et les chocs pourraient les casser.
- Une fois que le réfrigérateur est dans sa position définitive, s'assurer que les aliments n'entrent pas en contact avec le panneau de l'évaporateur, étant donné que cela pourrait les avarier.

8. Dégivrage, nettoyage et entretien

Pour le dégivrage, toujours débrancher l'appareil de toute source d'énergie électrique afin d'éviter tout risque de décharge. S'assurer que l'appareil n'est branché sur aucune autre source d'énergie (gaz ou 12V/24V). Sortir les aliments du réfrigérateur et laisser le couvercle ouvert. Suivant la température, le givre fond rapidement sur le panneau de l'évaporateur, l'eau étant collectée sur le fond du réfrigérateur. L'essuyer à

l'aide d'un chiffon. Puis nettoyer l'appareil conformément aux instructions du paragraphe 3. Laisser le couvercle entrouvert afin d'éviter toute formation de mauvaises odeurs. L'appareil ne nécessite aucun autre entretien.

9. Service après-vente

Avant de vous adresser au service après-vente, veuillez vérifier les points suivants :


- L'emplacement et la ventilation sont-ils satisfaisants ?
- L'appareil est-il de niveau ?
- Y a-t-il du courant dans la prise murale et cette connexion est-elle compatible avec l'appareil ?
- Le câble d'alimentation secteur est-il endommagé ?
- En mode de fonctionnement électrique, le thermostat est-il en position ON ?
- Dans le cas d'un fonctionnement au gaz, le bouton de la soupape de sécurité a-t-il été maintenu enfoncé suffisamment longtemps ?
- Le bouton du thermostat est-il réglé sur position max. ?
- La bouteille de gaz ou le détendeur sont-ils ouverts ?
- Y a-t-il du gaz dans la bouteille ? Si aucun mouvement de liquide ne peut être détecté en secouant la bouteille, c'est qu'elle est vide).
- L'appareil serait-il par hasard connecté simultanément à deux sources d'alimentation distinctes (par exemple le gaz et l'électricité) ?
- Des denrées alimentaires chaudes ont-elles été mises dans l'appareil ?
- Une quantité importante d'aliments a-t-elle été placée dans l'appareil ?

Si l'appareil ne fonctionne toujours pas de manière satisfaisante après vérification des points ci-dessus, contacter le service après-vente. En signalant le problème, décrire le type de problème, préciser le type d'appareil, la référence du produit et le numéro de série figurant sur la plaque signalétique.

Nous assumons la garantie conformément à nos conditions de garantie applicables pour l'appareil.

www.dometic.com

10. Mise en service

 Vous ne devez faire fonctionner l'appareil que sur une seule source d'énergie. Le branchement simultané à plusieurs sources d'énergie différentes entraînerait un dysfonctionnement de l'appareil.

Caractéristiques techniques

Modèle	RC1200EGP RC1700EGP RC2200EGP	RC1600EGP
Type	JCB - 1	JCB - 1
Contenance	41 litres	33 litres
Alimentation secteur	220-240V (CA)	220-240V (CA)
Entrée	85 W	75 W
Consommation d'énergie	1,38 kWh/24h	1,35 kWh/24h
Batterie	12V (CC)	12V (CC) 24V (CC)
Entrée	85 W	75 W 65 W
Consommation d'énergie	170Ah/24h	150Ah/24h 65Ah/24h
Pression de gaz	28-30/37 mbar	28-30/37 mbar
Type de gaz	I3+	I3+
Injecteur n°	2	2
Consommation nominale de chaleur: butane (propane)	134W - 9,8 g/h (118W - 8,4g/h)	134W - 9,8 g/h (118W - 8,4g/h)
Consommation minimale de chaleur: butane (propane)	106W - 7,7g/h (86W - 6,1g/h)	106W - 7,7g/h (86W - 6,1g/h)
Catégorie climatique	N	N
Réfrigérant	143g H ₂ O+67g NH ₃	143g H ₂ O+67g NH ₃

10.1 Raccordement au secteur

S'assurer que l'appareil n'est raccordé à aucune autre source d'énergie (12 V, gaz).

L'appareil ne peut fonctionner qu'à la tension nominale mentionnée sur la plaque signalétique. L'appareil peut être branché à une prise de terre conforme à la réglementation en vigueur (dans les pays étrangers, l'utilisation d'un adaptateur peut s'avérer nécessaire, les prises de courant n'étant pas les mêmes).

Tout travail électrique exigé pour installer cet appareil doit être effectué par un électricien qualifié ou une autre personne compétente.

Le fabricant décline toute responsabilité en cas de non-respect de ces mesures de sécurité.

Exigences en matière d'électricité

Assurez-vous que la tension d'alimentation correspond à la tension indiquée sur la plaque signalétique avant de mettre l'appareil en service.

10.2 Raccordement sur batterie auto

S'assurer que l'appareil n'est raccordé à aucune autre source d'énergie (230 V, gaz).

Un fusible de sécurité doit être installé au niveau de la ligne d'alimentation entre la batterie et le réfrigérateur.

Les appareils 12 V doivent être branchés sur la prise allume-cigares (protégée par un fusible 10 A) du véhicule.

Les appareils 24 V doivent être branchés en insérant un bloc adaptateur avec interrupteur protégé par un fusible de 5 A. L'interrupteur doit pouvoir supporter une intensité de 5 A.

Il n'est pas nécessaire de vérifier la polarité lors de la mise en marche de l'appareil.

Longueur de câble max.

Section de câble	12 V	24 V
2.5 mm ²	jusqu'à 2.5 m	5 m
4.0 mm ²	jusqu'à 4.0 m	8 m
6.0 mm ²	jusqu'à 6.0 m	12 m

10.3 Raccordement d'une bouteille de gaz

S'assurer que l'appareil n'est raccordé à aucune autre source d'énergie (230 V, 12 V).

L'appareil ne fonctionne qu'avec du propane/butane ; il ne peut être branché sur le gaz de ville ou le gaz naturel.

La plaque signalétique (voir au dos de l'appareil) renseigne sur la pression d'alimentation du gaz en mbars (norme en France, Belgique et au Luxembourg : 28 millibars pour le butane, 37 millibars pour le propane).

L'APPAREIL NE PEUT FONCTIONNER SOUS UNE PRESSION AUTRE QUE CELLE INDIQUEE SUR LA PLAQUE SIGNALÉTIQUE.

10.4 Accessoires nécessaires au raccordement du réfrigérateur et de la bouteille de gaz

- Bouteille de gaz
On utilise généralement :
 - a) Bouteille de gaz propane de camping à robinet incorporé, contenance 5 kg ou 11 kg, couleur grise. Les bouteilles d'une autre couleur jusqu'à une contenance de 14 kg seront raccordées selon le même système.
 - b) Bouteille de gaz à clapet anti-retour intégré jusqu'à une contenance de 3 kg.
- Détendeur agréé à réglage fixe adapté au type de bouteille utilisé (voir le raccordement de la bouteille de gaz).
- Flexible agréé de longueur suffisante permettant de réaliser un montage sans pliage.
- Clé plate de 17 mm et une autre clé de taille adaptée au détendeur.
- Produit de détection de fuite (spray ou mousse).

10.4.1. Raccordement d'une bouteille de gaz à robinet intégré (Figure 6)

- Vérifier qu'un joint intact se trouve dans l'embout du robinet de la bouteille. N'utiliser aucun joint supplémentaire. Le robinet doit rester fermé jusqu'à l'achèvement de l'installation.
- Visser fermement sans outil, c'est-à-dire à la main, en tournant vers la gauche l'écrou de serrage du détendeur sur le manchon de raccordement du robinet.
- Utiliser ensuite une clé plate de 17 pour réaliser un serrage ferme et étanche. Pour ne pas transmettre de force inappropriée au manchon du détendeur, utiliser une seconde clé plate pour maintenir celui-ci. La taille de cette clé est fonction du détendeur.
- Relier l'extrémité du flexible au manchon du réfrigérateur et la fixer au moyen d'un collier de serrage.
- Ouvrir le robinet de la bouteille et contrôler l'étanchéité de l'ensemble au moyen du spray. Le montage est étanche s'il ne se forme aucune bulle aux points de raccordement.

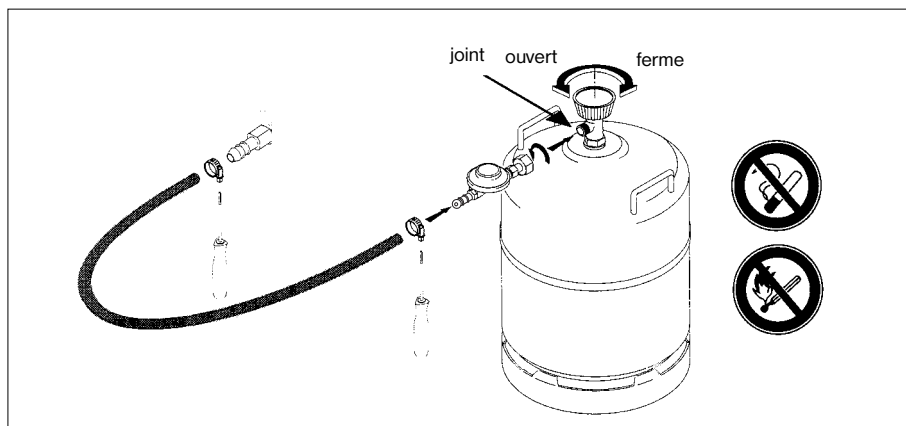


Figure 6



Toute recherche de fuite à la flamme est interdite !
NE PAS FUMER ! DANGER D'EXPLOSION ET DE BRULURE !

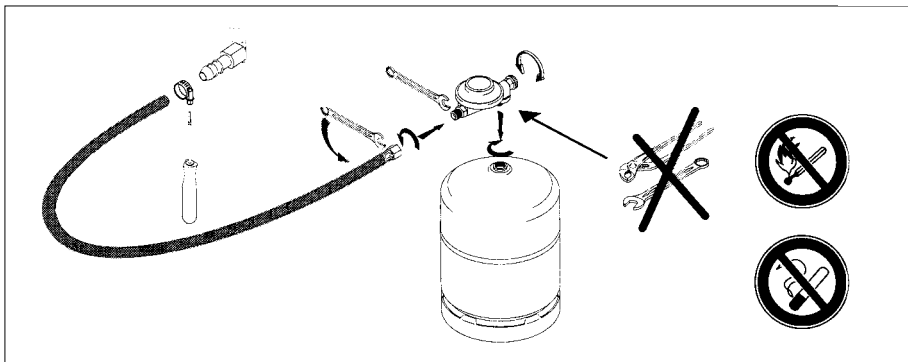



Figure 7



Toute recherche de fuite à la flamme est interdite !
NE PAS FUMER ! DANGER D'EXPLOSION ET DE BRULURE !

10.4.2. Raccordement d'une bouteille de gaz à clapet anti-retour intégré (Figure 7)

- Vérifier qu'un joint intact se trouve dans l'embout du robinet de la bouteille. N'utiliser aucun joint supplémentaire.
- Fermer le robinet de la bouteille et laisser celui-ci fermé jusqu'à l'achèvement de l'installation.
- Visser à la main, c'est-à-dire sans utiliser d'outil, le détendeur en tournant vers la droite sur le vissage de la bouteille.
- Utiliser ensuite une clé plate de 17 pour réaliser un serrage ferme et étanche. Pour ne pas transmettre de force inappropriée au manchon du détendeur, utiliser une seconde clé plate pour maintenir celui-ci. La taille de cette clé est fonction du détendeur.
- Relier l'extrémité du flexible au manchon du réfrigérateur et la fixer au moyen d'un collier de serrage.
- Ouvrir le robinet de la bouteille et contrôler l'étanchéité de l'ensemble au moyen du spray. Le montage est étanche s'il ne se forme aucune bulle aux points de raccordement.

 Fermer systématiquement le robinet de la bouteille ou le détendeur avant tout remplacement de bouteille et/ou démontage du flexible. Echanger tout flexible poreux ou endommagé.

11. Informations relatives à la protection de l'environnement

L'appareil ne contient pas de CFC/HCFC.

L'ammoniaque (hydrogène naturel et composé d'azote) est utilisée comme réfrigérant dans cet appareil.

Le cyclopentane, qui ne présente aucun risque pour la couche d'ozone, est un agent actif de la mousse de polyuréthane utilisée comme isolant thermique.

Le chromate de sodium est un agent anti-corrosion (dosé à moins de 2% du poids du liquide de refroidissement).

12. Recyclage

Après avoir déballé l'appareil, les matériaux d'emballage devraient être acheminés vers un site local de collecte de déchets. En fin de vie, il est recommandé de confier l'appareil à une entreprise spécialisée de collecte et de recyclage qui pourra assurer la récupération des matériaux recyclables et un recyclage écologique de l'appareil.



Les appareils portant ce symbole doivent être obligatoirement remis à un point de collecte local pour la mise au rebut d'appareils électriques et électroniques.



Il est interdit de jeter ce produit dans les ordures ménagères.

Sur les réfrigérateurs Dometic, le symbole figure sur la plaque des caractéristiques (plaque signalétique) apposée à l'arrière de l'appareil.

L'appareil est conforme aux directives CEE suivantes :

Directive LVD	2006/95/CE
Directive EMC	2004/108/CE
Directive relative au gaz	90/396/CEE
Directive CE	93/68/CEE
Directive RoHS	2002/95/CE
Directive WEEE	2002/96/CE



Si raccomanda di leggere attentamente le presenti istruzioni per l'uso prima di mettere in funzione l'unità di refrigerazione. Se in futuro venderete o presterete l'apparecchio, accertatevi che anche il nuovo proprietario riceva le istruzioni.

Grazie per aver scelto il nostro prodotto. Ci auguriamo che vi garantisca la massima semplicità d'uso.

Qui di seguito viene spiegato il significato di alcuni simboli, che vi segnaliamo al fine di assicurare un impiego sicuro ed efficace dell'apparecchio:



pericolo in caso di utilizzo improprio



suggerimenti utili



informazioni relative alla tutela ambientale

Il frigorifero che avete acquistato può essere alimentato con corrente elettrica di rete oppure mediante la batteria di un autoveicolo o una bombola di gas (a bassa pressione).



Attenzione!

- Il vostro Frigorifero portatile - **nel funzionamento a gas** - deve essere utilizzato solo in luogo ben ventilato, al di sopra del livello del terreno, dove sia protetto da pioggia o spruzzi d'acqua.
- L'apparecchiatura non **deve essere utilizzata in funzionamento a gas nei veicoli a motore e barche** mentre il veicolo o la barca sono in movimento.
- È vietato il funzionamento con gas liquido in ambienti chiusi!

QUESTO FRIGORIFERO PUÒ FUNZIONARE A GAS SOLO IN AMBIENTI APERTI!

Per funzionamento all'aperto s'intende: in tenda (veranda), che sia ben areggiata durante il funzionamento dell'apparecchio, così come sulle terrazze o in giardino.

- Nel caso di funzionamento elettrico, l'apparecchio può essere impiegato anche in un ambiente chiuso. In tal caso, occorre tenerlo al riparo anche dall'umidità.
- Non conservare assolutamente sostanze tossiche o esplosive nell'apparecchio!
- L'apparecchio può essere utilizzato collegandolo solamente a una fonte di energia alla volta.
- Questa apparecchiatura non è intesa per l'uso da parte di persone (compresi i bambini) con ridotte capacità fisiche, sensoriali o mentali, o la mancanza di esperienza e conoscenza, a meno che non siano state istruite e siano sotto la supervisione di personale responsabile per la loro sicurezza.

I bambini devono essere sorvegliati per garantire che essi non possano giocare con l'apparecchiatura.

- Per un corretto funzionamento è importante posizionare la parte posteriore dell'apparecchio in una zona aerata per permettere la fuoriuscita del calore. Il punto più caldo si trova in prossimità del bruciatore: **in particolare in caso di funzionamento a gas** è fondamentale tenere lontana questa parte da qualunque ostruzione o da materiali infiammabili (ad es. erba o superfici in plastica che possono prendere fuoco).

SOMMARIO

1. Disimballaggio
2. Schema dell'apparecchio
3. Pulizia
4. Posizionamento dell'apparecchio
5. Impiego dell'apparecchio
 - 5.1. Funzionamento elettrico
 - 5.2. Funzionamento mediante batteria veicolare
 - 5.3. Funzionamento mediante bombola di gas
6. Preparazione dei cubetti di ghiaccio
7. Suggerimenti utili
8. Sbrinamento, pulizia e manutenzione
9. Assistenza clienti
10. Messa in funzione, caratteristiche tecniche
 - 10.1. Allacciamento alla rete elettrica
 - 10.2. Allacciamento all'alimentatore veicolare
 - 10.3. Allacciamento alla bombola di gas
 - 10.4. Articoli necessari all'allacciamento del frigo/bombola del gas
 - 10.4.1 Allacciamento di una bombola con valvola fissa
 - 10.4.2 Allacciamento di una bombola con valvola di ritegno interna a sfera
11. Informazioni sulla tutela ambientale
12. Riciclaggio



Attenzione!

Le condizioni di garanzia sono conformi alla direttiva CE 44/1999/CE nonché alle disposizioni specifiche vigenti nel paese interessato.

Per questioni di garanzia o altre esigenze di assistenza tecnica (come p.es. i ricambi) contattare la Dometic Service Network.

La garanzia non include i danni causati dall'uso improprio dell'apparecchio.

La garanzia decade in caso di qualsiasi modifica apportata all'apparecchio o qualora non fossero utilizzati ricambi originali Dometic.

La garanzia decade in caso di inosservanza delle istruzioni di installazione e uso.

Al momento di contattare il Dometic Service Network occorre segnalare il modello, il codice prodotto e il numero di serie. Queste informazioni sono riportate sulla targhetta identificativa applicata sul pannello posteriore del frigorifero.

1. Disimballaggio

Dopo aver estratto l'apparecchio dall'imballaggio di cartone, accertarsi che non sia danneggiato. Qualora vengano riscontrati danneggiamenti dovuti al trasporto, occorre segnalarli subito alla ditta incaricata.

2. Schema dell'apparecchio

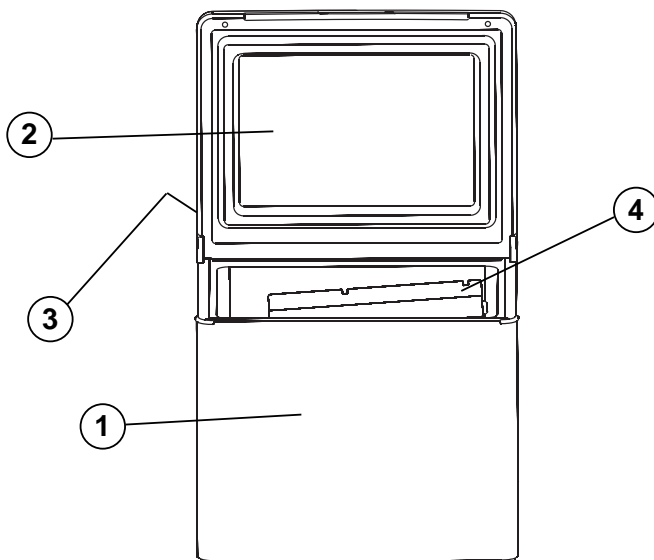


Figura 1.

1. telaio termoisolato
2. coperchio termoisolato

3. comandi
4. pannello evaporatore

3. Pulizia

i Prima di mettere in funzione l'apparecchio, si consiglia di pulirne sia l'interno sia l'esterno.

- Procedere alla pulizia mediante un panno morbido, acqua tiepida e detersivo non abrasivo. Accertarsi che l'acqua non penetri nei comandi o nella griglia della calotta posteriore.
- Lavare quindi l'apparecchio con panno e acqua puliti. Procedere poi all'asciugatura.
- Per evitare che l'apparecchio venga danneggiato, è vietato l'uso di sapone, carbonato di sodio o detersivi abrasivi.

4. Posizionamento dell'apparecchio

i Durante il processo di refrigerazione, l'apparecchio trasmette calore all'aria circostante attraverso il condensatore collocato sotto la parte superiore della calotta posteriore. Maggiore è l'areazione del condensatore, più efficace sarà la refrigerazione.

- L'altra condizione per un funzionamento ottimale è il posizionamento su una superficie piana. Per verificare ciò basta posizionare un bicchiere d'acqua sopra l'apparecchio.
- È importante che l'apparecchio non venga esposto a fonti di calore dirette (sole, radiatori, accanto a un forno ecc.).
- In caso di alimentazione a gas vanno rispettate le seguenti distanze: almeno 10 cm dalla parte posteriore dell'apparecchio, almeno 4 cm su entrambi i lati, almeno 30 cm dalla parte superiore, almeno 5 cm dal fondo.
- Tutti i materiali infiammabili (carta, legno, erba, tessuti, ecc.) che si trovassero nelle immediate vicinanze dell'apparecchio devono essere mantenuti alle distanze sopra specificate.

5. Impiego dell'apparecchio

Il cavo per l'allacciamento alla rete, il cavo di collegamento da 12 V e il connettore per l'allacciamento al gas si trovano dietro calotta posteriore. (Fig.2)

5.1 Funzionamento elettrico

Accertarsi che la tensione indicata sulla targhetta corrisponda alla tensione di rete cui desiderate collegare l'apparecchio. Per il collegamento alla rete, estrarre il cavo di connessione ed inserirlo in una presa di terra.

Quando collegate l'apparecchio per la prima volta regolate il termostato sul massimo (Fig. 4. A) poi, dopo circa cinque ore, riportatelo al minimo, a seconda delle vostre necessità di refrigerazione.

N.B.: La spina elettrica viene fornita in base alle disposizioni specifiche di ogni paese e può non corrispondere a quella raffigurata.

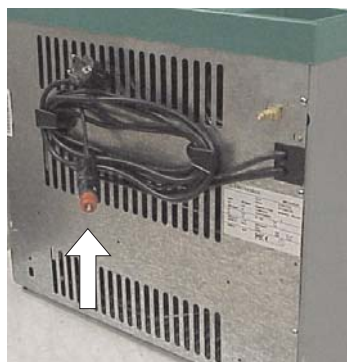


Figura 2

5.2 Funzionamento mediante batteria veicolare

Accertarsi che la tensione indicata sulla targhetta dell'apparecchio corrisponda a quella della batteria veicolare (12 o 24V).

Gli apparecchi da 12V DC sono dotati di connettori che possono essere inseriti nell'accendisigaro in dotazione al veicolo (figura 3). In alcuni tipi di veicoli, sarà necessario rimuovere l'anello rosso di plastica situato all'estremità del connettore. Sarà sufficiente ruotarlo in senso antiorario e sfilarlo. A questo punto, è possibile collegare l'apparecchio all'accendisigaro. Nel caso del funzionamento a 12V, l'unità funziona ininterrottamente senza controllo della temperatura.

Gli apparecchi da 24V DC vengono forniti con cavi dalle estremità nude. Queste ultime devono essere collegate a una morsettiere, la quale, a sua volta, è collegata alla batteria veicolare mediante un fusibile da 5A e un interruttore da 5A.

i A motore fermo l'apparecchio deve essere staccato scollegandolo dall'accendisigari (versione a 12V) o tramite l'apposito interruttore (versione a 24V). Altrimenti la batteria del veicolo si scaricherà in breve tempo.




5.3 Funzionamento mediante bombola di gas

L'allacciamento alla bombola di gas verrà descritto nei paragrafi 9.3. e 9.4.

Dopo aver aperto la valvola della bombola ed aver controllato se vi sono perdite di gas, impostare il termostato sul massimo (figura 4. B), abbassare la valvola di sicurezza e tenerla abbassata per circa 10 secondi, quindi premere il pulsante di accensione piezoelettrica (segnalato da una stella, figura 4. C) diverse volte in rapida successione. Se la fiamma non si accende, ripetere l'operazione (Prima del collegamento alla bombola, occorre far uscire l'aria contenuta nel condotto del gas della bombola stessa; solo allora il gas si potrà accendere.)

È possibile verificare se la fiamma è accesa guardando attraverso l'apposita apertura (figura 5). Una volta che la fiamma è accesa, tenere abbassata la valvola di sicurezza per altri 20 secondi.

Il pulsante regolatore ha 4 posizioni:

-  : fiamma grande (MAX) = quantità massima di gas (temperatura ambientale alta ~32 °C);
-  : fiamma media (MID)= quantità media di gas (temperatura ambientale media ~ 25°C);
-  : fiamma piccola (MIN) = quantità minima di gas (temperatura ambientale bassa ~ 16°C);
- : posizione off = l'impianto non riceve gas.

Spegnimento del gas

- Chiudere la bombola del gas o la valvola di regolazione della pressione.
- Girare la manopola **B** verso destra, nella posizione di chiusura.



Figura 3

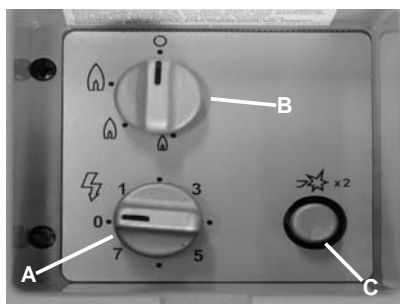


Figura 4.

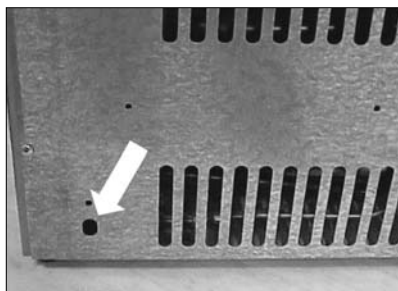


Figura 5.

6. Preparazione dei cubetti di ghiaccio

Riempire la vaschetta di ghiaccio per 4/5 di acqua potabile e chiuderla con il coperchio. Asciugare eventuali gocce d'acqua dalla vaschetta e dal coperchio per evitare che si congeli sulla base del refrigeratore. Porre la vaschetta del ghiaccio nel refrigeratore.

Per accelerare la formazione di cubetti di ghiaccio, girare eventualmente brevemente sulla posizione MAX la manopola **A** in caso di funzionamento elettrico, la manopola **B** in caso di funzionamento a gas. (Non dimenticare di riposizionarla sulla temperatura originaria a formazione di ghiaccio avvenuta!).

Per prelevare i cubetti di ghiaccio prelevare la vaschetta e lasciarla qualche minuto a temperatura ambiente o passarla brevemente sotto acqua corrente, togliere quindi il coperchio.

I cubetti di ghiaccio possono essere prelevati a questo punto dalla vaschetta o dagli incavi del coperchio.

7. Suggerimenti utili

- Prima di mettersi in viaggio, far funzionare l'apparecchio a 230 V (con il termostato regolato in posizione intermedia tra "min" e "max") per 24 ore prima della partenza. Inserirvi alimenti preraffreddati.
- Durante il funzionamento si formerà del ghiaccio sul pannello dell'evaporatore. Quando si apre la calotta o si introducono alimenti, parte del ghiaccio si scioglie e si raccoglie sul fondo dell'apparecchio sotto forma di acqua. Asciugare quest'ultima di tanto in tanto servendosi di una spugna.
- Se desiderate trainare l'unità di refrigerazione sulle ruote, evitate di collocare all'interno alimenti con imballaggi fragili (per esempio vetro). Il movimento e le scosse subite dall'unità potrebbero infatti causarne la rottura.
- Una volta collocata l'unità di refrigerazione in una posizione stabile, accertarsi che gli alimenti non vengano a contatto con il pannello dell'evaporatore, poiché ciò potrebbe causare la comparsa di macchie sui cibi dovute al gelo.

8. Sbrinamento, pulizia e manutenzione

Prima dello sbrinamento scollegare l'apparecchio dall'alimentazione elettrica per evitare il rischio di scosse. Accertarsi che non sia collegata nessun'altra fonte di energia (gas o 12/24V). Togliere le vivande dall'unità di refrigerazione e lasciare aperto il coperchio. A seconda della temperatura, il ghiaccio sul pannello dell'evaporatore si scioglie in

un tempo più o meno breve e l'acqua si raccoglie sul fondo dell'unità. Asciugarla con un panno. Pulire quindi l'apparecchio seguendo le istruzioni della sezione 3. Lasciare aperto il coperchio per impedire la formazione di cattivi odori. L'apparecchio non richiede ulteriori operazioni di manutenzione.

9. Assistenza clienti

Prima di rivolgersi al servizio di assistenza clienti, verificare quanto segue:


- il posizionamento e l'areazione sono adeguati?
- l'apparecchio si trova su una superficie piana?
- nella presa a muro passa la corrente? L'allacciamento è adatto all'apparecchio?
- il cavo di collegamento alla rete è danneggiato?
- nel caso del funzionamento mediante la rete, il termostato elettrico è acceso?
- nel caso del funzionamento a gas, la manopola della valvola di sicurezza è stata abbassata per un tempo sufficiente?
- La manopola del termostato c regolata sul massimo?
- la bombola del gas e la valvola del regolatore di pressione sono aperte?
- c'è gas nella bombola? (se, scuotendola, non si avverte la presenza di liquido, significa che la bombola è vuota)
- sono forse collegate due diverse fonti di energia, per esempio gas ed elettricità?
- all'interno dell'unità sono stati collocati alimenti caldi?
- all'interno dell'unità è stata collocata in un'unica volta un'eccessiva quantità di vivande?

Se, dopo aver verificato quanto sopra, l'apparecchio continua a non funzionare, contattare il servizio di assistenza clienti. Indicare il tipo di problema, il tipo di apparecchio nonché il numero di prodotto e il numero di serie riportati sulla targhetta dei dati.

La garanzia è valida solo nel caso in cui vengano osservate le condizioni imposte dall'uso all'apparecchio.

www.domestic.com

10. Messa in funzione

 È sempre necessario far funzionare l'apparecchio mediante un'unica fonte di energia. Il collegamento simultaneo a più fonti di energia determinerà infatti un guasto.

Caratteristiche tecniche

Modello	RC 1200 EGP RC 1700 EGP RC 2200 EGP	RC 1600 EGP	
Typo	JCB - 1	JCB - 1	
Volume lordo	41 litre	33 litre	
Funzionamento mediante la rete	220 - 240V (AC)	220 - 240V (AC)	
Alimentazione	85W	75W	
Consumo di energia	1.38 kWh/24h	1.35 kWh/24h	
Funzionamento a batteria	12V (DC)	12V (DC)	24V (DC)
Alimentazione	85W	75W	65W
Consumo di energia	170Ah/24h	150Ah/24h	65Ah/24h
Pressione del gas (p)	28-30/37 mbar	28-30/37 mbar	
Classificazione gas	I _s	I _s	
Dimensioni del getto	2	2	
Tarico termico nominale butano (propano)	134W - 9,8 g/h (118W - 8,4g/h)	134W - 9,8 g/h (118W - 8,4g/h)	
Tarico termico minimo butano (propano)	106W - 7,7g/h (86W - 6,1g/h)	106W - 7,7g/h (86W - 6,1g/h)	
Classe climatica	N	N	
Refrigerante	143g H ₂ O + 67g NH ₃	143g H ₂ O + 67g NH ₃	

10.1 Collegamento alla rete elettrica

Assicurarsi che tutte le altre fonti di energia (gas, 12V) siano scollegate.

L'apparecchio può essere impiegato solo mediante una rete con la tensione nominale indicata sulla targhetta dei dati. La spina di rete dell'apparecchio può essere inserita in una presa messa a terra in conformità alle disposizioni vigenti (all'estero può risultare necessario l'impiego di un adattatore per via delle prese differenti).

Qualsiasi operazione d'installazione dell'apparecchio va effettuata da parte di personale esperto o da una persona competente.

L'azienda produttrice declina ogni responsabilità in caso di inosservanza delle presenti misure di sicurezza.

Requisiti elettrici

Prima di accendere, assicurarsi che la tensione di rete corrisponda alla tensione indicata sulla targhetta dell'apparecchio.

10.2 Collegamento alla batteria veicolare

Assicurarsi che tutte le altre fonti di energia (gas, 230V) siano scollegate.

Nella linea di alimentazione elettrica tra la batteria ed il frigorifero si trova un dispositivo di protezione.

Gli apparecchi da 12V devono essere collegati a un accendino veicolare protetto da un fusibile da 10A.

Gli apparecchi da 24V devono essere collegati inserendo una morsettiera e un interruttore e devono essere protetti mediante un fusibile da 5A. L'interruttore deve essere adatto alla commutazione di una corrente da 5A.

Non è necessario osservare la polarità nell'allacciamento dell'apparecchio.

lunghezza massima cavo

Sezione di cavo	bei 12 V	24 V
2.5 mm ²	fino a 2.5 m	5 m
4.0 mm ²	fino a 4.0 m	8 m
6.0 mm ²	fino a 6.0 m	12 m

10.3 Collegamento alla bombola di gas

Assicurarsi che tutte le altre fonti di energia (230V, 12V) siano scollegate.

Il frigorifero è equipaggiato per una determinata pressione di gas che corrisponde alla pressione standard del paese nel quale l'apparecchio viene venduto. La targhetta indica la giusta pressione.

L'apparecchio non deve essere allacciato né al gas di città né al gas naturale. Esso è adatto esclusivamente all'allacciamento a gas propano/butano.

Il frigorifero è equipaggiato per una **determinata** pressione di gas che corrisponde alla pressione standard del paese nel quale l'apparecchio viene venduto. La targhetta indica la giusta pressione.

I rubinetti del gas che funzionano con valvole ad ago NON sono adatti al funzionamento con questo apparecchio e non devono essere usati in sostituzione di un regolatore di pressione.

10.4 Articoli necessari all'allacciamento del frigo/bombola del gas

- Bombola del gas

Vengono solitamente usate:

- a) Bombe al propano da campeggio con valvola fissa, contenuto 5 o 11 kg, colore grigio. Bombe di altro colore fino ad un contenuto di 14 kg vengono allacciate con lo stesso sistema.
 - b) Bombe con valvole di ritegno a sfera interna fino ad un contenuto di 3 kg.
- Regolatore di pressione fisso omologato adatto alla bombola del gas utilizzata (si veda allacciamento della bombola).
 - Tubo flessibile omologato di lunghezza sufficiente e che possa essere montato senza essere piegato.
 - Chiave a bocca con apertura di chiave 17 ed una più larga che si adatti alla larghezza del regolatore di pressione.
 - Rivelatore di fughe (spray rivelatore di fughe o apposito rivelatore a schiuma).

- Avvitare a mano, evitando di utilizzare attrezzi, il dado a risvolto del regolatore di pressione ruotando verso sinistra, al tubo di raccordo della valvola della bombola.
- Avvitare il dado di risvolto del tubo flessibile ruotandolo verso sinistra al tubo di raccordo del regolatore di pressione. Per stringere bene ed ermeticamente il dado di risvolto, utilizzare una chiave della larghezza di 17 mm. Perché venga evitata una trasmissione di forza al tubo di raccordo del regolatore di pressione, occorre fare pressione con una seconda chiave a bocca sul regolatore di pressione stesso. La larghezza di questa chiave dipende dal modello del regolatore di pressione.
- Inserire l'altra parte terminale del tubo flessibile nel tubo di raccordo del box e assicurarsi che non vi siano fuoriuscite servendovi di una fascetta per tubi flessibili.
- Aprire la valvola della bombola e controllare l'ermeticità di tutti i collegamenti con uno spray rivelatore di fughe. C'è ermeticità se ai punti di allacciamento non si formano bollicine.

10.4.1 Allacciamento di una bombola con valvola fissa (Figura 8.)

- Controllare che la guarnizione del tubo di raccordo della valvola della bombola sia intatta. Non utilizzare guarnizioni supplementari. La valvola della bombola deve rimanere chiusa fino ad installazione avvenuta.

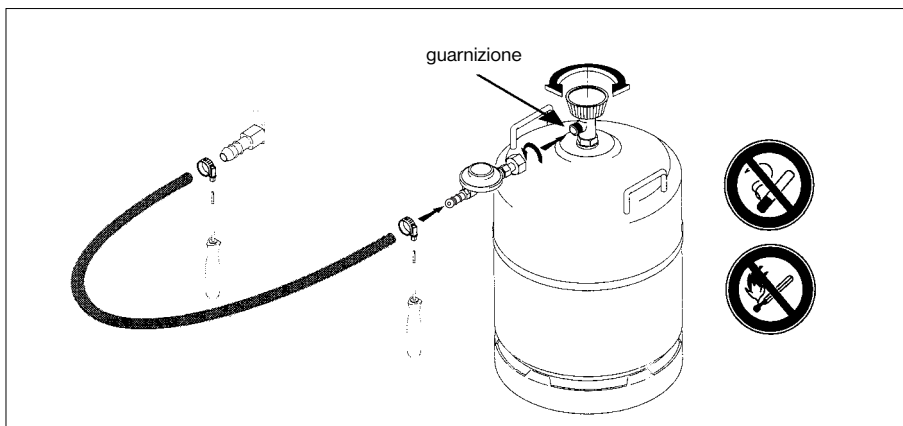


Figura 8.



**È VIETATO UN CONTROLLO DI ERMETICITÀ A VIVA FIAMMA!
NON FUMARE! PERICOLO DI INCENDIO E DI ESPLOSIONE!**

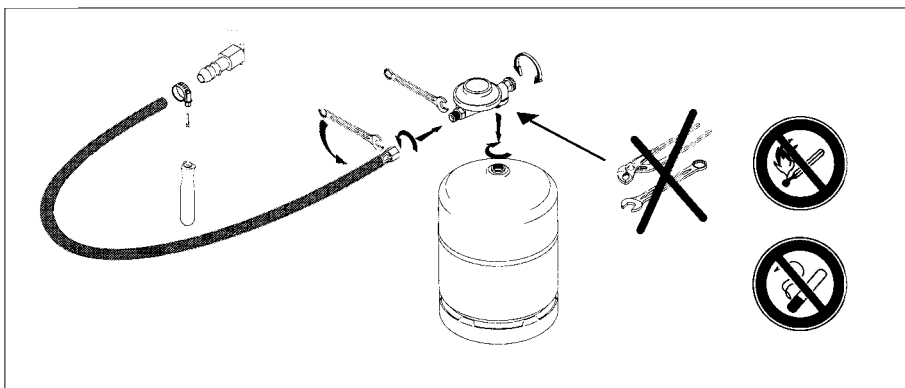



Figura 9.



**È VIETATO UN CONTROLLO DI ERMETICITÀ A VIVA FIAMMA!
NON FUMARE! PERICOLO DI INCENDIO E DI ESPLOSIONE!**

10.4.2. Allacciamento di una bombola con valvola di ritegno interna a sfera (Figura 9)

- Controllare che la guarnizione del tubo di raccordo della valvola della bombola sia intatta. Non utilizzare guarnizioni supplementari. Chiudere il regolatore di pressione e tenerlo chiuso fino a istallazione avvenuta.
- Avvitare il regolatore di pressione a mano, senza l'uso di attrezzi, ruotando verso sinistra sulla filettatura della bombola.
- Avvitare il dado di risvolto del tubo flessibile ruotandolo verso sinistra al tubo di raccordo del regolatore di pressione. Per stringere bene ed ermeticamente il dado di risvolto, utilizzare una chiave della larghezza di 17 mm. Perché venga evitata una trasmissione di forza al tubo di raccordo del regolatore di pressione, occorre fare pressione con una seconda chiave a bocca sul regolatore di pressione stesso. La larghezza di questa chiave dipende dal modello del regolatore di pressione.
- Inserire l'altra parte terminale del tubo flessibile nel tubo di raccordo del box e assicurarsi che non vi siano fuoriuscite servendovi di una fascetta per tubi flessibili.
- Aprire il regolatore di pressione e controllare con lo spray rivelatore di fughe l'ermeticità. C'è ermeticità se ai punti di collegamento non si formano bollicine.

 In caso di sostituzione della bombola e/o smontaggio del tubo flessibile è indispensabile chiudere la valvola del gas o quella del regolatore di pressione. Provvedere alla sostituzione di tubi flessibili porosi o danneggiati.

11. Informazioni sulla tutela ambientale

L'apparecchio non contiene CFC/HCFC:

Come refrigerante per l'unità di refrigerazione viene utilizzata ammoniaca (composto naturale di idrogeno e azoto).

Il ciclopentano, sostanza non nociva all'ozono, viene attivato come agente motore per l'isolamento mediante poliuretano espanso.

Il sodio cromato viene utilizzato per proteggere dalla corrosione (il suo peso equivale a meno del 2% del peso del refrigerante).

12. Riciclaggio

Dopo aver disballato l'apparecchio, occorre consegnare il materiale di imballaggio a un centro locale di raccolta. Al termine della vita utile, è necessario portare l'apparecchio a una ditta specializzata nella raccolta e nella rilavorazione, la quale recupererà i materiali riutilizzabili. Il resto verrà distrutto.



Gli apparecchi che sono contrassegnati con questo simbolo devono essere consegnati al posto di raccolta locale per lo smaltimento e il trattamento di apparecchi elettrici ed elettronici.

Questo prodotto non deve essere smaltito con i normali rifiuti domestici.

Il simbolo si trova sulla targhetta dei dati tecnici dei frigoriferi Dometic (targhetta del modello) sul pannello posteriore dell'apparecchio.

L'apparecchio è conforme alle seguenti direttive CEE:

direttiva sui dispositivi a bassa tensione	2006/95/CE
direttiva sulla compatibilità elettromagnetica	2004/108/CE
direttiva sul gas	90/396/CEE
direttiva sul CE	93/68/CEE
direttiva sul RoHS	2002/95/CE
direttiva sul WEEE	2002/96/CE



Lees deze gebruiksaanwijzing aandachtig voor u het apparaat in werking stelt. Indien u het apparaat later verkoopt of weggeeft, zorg er dan voor dat de nieuwe eigenaar de gebruiksaanwijzing ontvangt.

Wij danken u dat u ons apparaat heeft gekozen. Wij hopen dat u er lang plezier aan zult beleven.

Hieronder willen wij u vertrouwd maken met enkele symbolen om een veilig en efficiënt gebruik van het apparaat te verzekeren:



bron van gevaar bij onjuist gebruik



nuttige tips



informatie omtrent milieubescherming

De koelbox die u gekocht heeft, is zó ontworpen dat het kan worden aangesloten op het elektriciteitsnet, de accu van een auto of op een gasfles.



Let op!

- Bij gebruik op gas moet uw draagbare koelbox of vriesbox alleen worden gebruikt in een goed geventileerde ruimte, boven de grond, waar het beschermd is tegen water.
- Het toestel mag niet op gas worden gebruikt in motorvoertuigen en boten terwijl het voertuig of de boot in beweging is.
- Toepassing met vloeibaar gas in gesloten ruimten is niet toegestaan!
DIT KOELAPPARAAT MAG ALLEEN BUITEN MET GAS WORDEN GEBRUIKT
Het gebruik in de openlucht betekent : ook tenten (voortenten), die tijdens het bedrijf van het apparaat goed geventileerd zijn, alsmede terrassen op de begane grond.
- Bij aansluiting op het elektriciteitsnet kan het apparaat ook binnenshuis gebruikt worden. Ook dan moet het apparaat beschermd worden tegen vocht.
- Het is verboden om giftige of explosieve substanties in dit toestel op te slaan!
- Het toestel altijd maar met één energiebron gebruiken.
- Dit apparaat is niet bedoeld voor gebruik door personen (inclusief kinderen) met verminderde lichamelijke, zintuiglijke of geestelijke vermogen of gebrek aan ervaring en kennis, tenzij aan hen toezicht of instructie is gegeven, over het gebruik van het apparaat, door een persoon die verantwoordelijk is voor hun veiligheid.
Er moet worden opgelet dat kinderen niet spelen met het apparaat.
- Voor een efficiënte werking is het belangrijk dat het toestel aan de achterzijde zoveel mogelijk ventilatieruimte heeft zodat de hitte kan ontsnappen. Het heetst is het in de omgeving van de brander, en het is dus van groot belang **-vooral wanneer het toestel op gas loopt** - dat deze plaats niet wordt afgedekt of in contact komt met ontvlambare materialen (bijv. gras of brandbare kunststofbodembeden).

INHOUD

1. Uitpakken
2. Afbeelding van het apparaat
3. Schoonmaken
4. Plaatsing van het apparaat
5. Het apparaat gebruiken
 - 5.1. Via aansluiting op het elektriciteitsnet
 - 5.2. Via aansluiting op de accu van een auto
 - 5.3. Via aansluiting op een gasfles
6. Bereiden van ijsblokjes
7. Nuttige tips
8. Ontdooien, schoonmaken en onderhouden
9. Klantenservice
10. Inwerkingstelling
 - 10.1. Aansluiting op het elektriciteitsnet
 - 10.2. Aansluiting op de accu van een voertuig
 - 10.3. Aansluiting op een gasfles
 - 10.4. Aansluiting van een gasfles met
 - 10.4. 1. Aansluiting van een gasfles met een vast ingebouwde gasklep
 - 10.4. 2. Aansluiting van een gasfles met binnenliggende kogel terugslagklep
11. Recycling
12. Serviceadressen

**Let op!**

De garantiebepalingen voldoen aan de EU-richtlijn 44/1999/CE en de wettelijke bepalingen van het betreffende land.

Vragen over garantie, klantenservice en onderdelen kunt u richten aan de Dometic servicedienst.

Niet onder de garantie valt schade veroorzaakt door verkeerd gebruik.

Niet onder de garantie valt schade die het gevolg is van veranderingen aan het toestel of als gevolg van onderdelen niet afkomstig van Dometic.

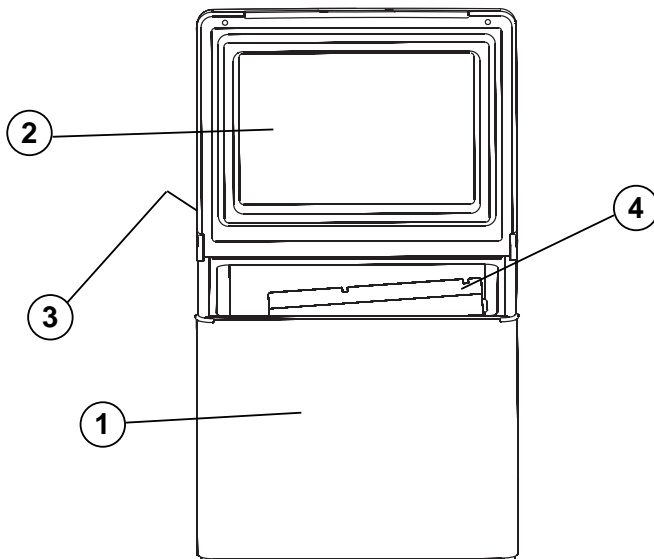
De garantie vervalt indien het toestel niet volgens voorschrift geïnstalleerd en gebruikt wordt.

Gelieve het model product- en serienummer van het toestel aan te geven, indien u contact met de Dometic servicedienst opneemt. Deze gegevens vindt u op het typeplaatje aan de achterkant van de koelbox.

1. Uitpakken

Controleer na het verwijderen van de kartonnen verpakking of het apparaat niet beschadigd is. Indien het apparaat beschadigd werd tijdens het vervoer, moet u dit meteen melden aan uw leverancier.

2. Afbeelding van het apparaat



Afbeelding 1.

- 1. Gedsoleerde mantel
- 2. Gedsoleerde deksel

- 3. Bedieningselementen
- 4. Verdamperpaneel

3. Schoonmaken

i Maak het apparaat zowel aan de binnen- als de buitenkant schoon voor u het in gebruik neemt.

- Gebruik hiervoor een zachte doek, lauw water en een niet bijtend reinigingsmiddel. Zorg ervoor dat er geen water in het rooster van de achterplaat en de bedieningselementen loopt.
- Veeg daarna het apparaat af met een schone doek en helder water en wrijf het droog.
- Gebruik, om schade te voorkomen, geen zeep, schurende of bijtende reinigingsmiddelen.

4. Plaatsing van het apparaat

i Tijdens het vries / koelproces geeft het apparaat via de condensor (onder het bovenste deel van de achterplaat) de onttrokken warmte af aan de omgeving. Hoe beter de ventilatie van de condensor, hoe efficiënter de koeling zal verlopen.

- De andere voorwaarde voor een efficiënt gebruik: het apparaat moet op een vlak oppervlak staan. Dit kunt u het best controleren door een glas water op het apparaat te plaatsen.
- Het is belangrijk dat het apparaat niet blootgesteld wordt aan directe warmtestraling (zonlicht, radiator, dicht bij een oven, enz.)
- Bij het werken op gas moeten de volgende vrije afstanden in acht worden genomen: minimaal 10 cm van de achterkant van het toestel, minimaal 4 cm van beide kanten, minimaal 30 cm van de bovenkant van het toestel, minimaal 5 cm van de bodem.
- Alle brandbare voorwerpen (papier, hout, gras, textiel enz.) in de onmiddellijke nabijheid van het toestel dienen op de bovenvermelde afstanden te worden gehouden.

5. Het apparaat gebruiken

De kabel voor aansluiting op het elektriciteitsnet, de 12V-verbindingkabel en het verbindingstuk voor de gasaansluiting bevinden zich aan de achterzijde van het apparaat (Afbeelding 2).

5.1 Via aansluiting op het elektriciteitsnet

Controleer of de elektrische spanning, vermeld op het typeplaatje van het apparaat, overeenstemt met de spanning van het elektriciteitsnet waarop u het apparaat wenst aan te sluiten. Wikkel de elektriciteitskabel af en steek de stekker in een geaard stopcontact.

Zet de thermostaat (Afbeelding 4. A) op maximum wanneer u het apparaat voor het eerst gebruikt. Zet de thermostaat vervolgens na ongeveer vijf uur op een lagere stand, afhankelijk van de koeling die u nodig heeft.

Aanwijzing: De stekker voldoet aan de normen van het betreffende land van bestemming en kan er anders uitzien als op de afbeelding.



Afbeelding 2

5.2 Via aansluiting op de accu van een auto

Controleer of de elektrische spanning, zoals vermeld op het typeplaatje van het apparaat, overeenstemt met de spanning van de accu (12V of 24V).

Gelijkstroomapparaten op 12V zijn voorzien van connectoren die aangesloten kunnen worden op de sigarettenaansteker (Afbeelding 3). Voor bepaalde voertuigmodellen kan het nodig zijn de rode plastic ring aan het uiteinde van de connector te verwijderen. Draai hiervoor de plastic ring tegen de wijzers van de klok in en trek eraan. Het apparaat kan nu aangesloten worden op de sigarettenaansteker. Bij aansluiting met 12V werkt het apparaat ononderbroken zonder temperatuurcontrole.

Gelijkstroomapparaten op 24V worden geleverd met draden met onbeklede uiteinden. De uiteinden moeten verbonden worden met een klemmenstrook, die op zijn beurt via een zekering (5A) en een stroomschakelaar (5A) verbonden wordt met de accu. Bij aansluiting met 24V is het apparaat via de thermostaat te regelen.

i Als de motor niet draait, dient u de connector uit de aansteker te trekken (apparaat met 12V) of de stroomschakelaar af te zetten (apparaat met 24V). Indien dit niet gebeurt, zal het werkende apparaat de accu leegmaken.

5.3. Via aansluiting op een gasfles

De aansluiting op de gasfles wordt beschreven in de paragrafen 9.3. en 9.4.

Open de klep van de gasfles, controleer of er geen gaslekken zijn, zet de thermostaat op maximum (Afbeelding 4. B) en duw vervolgens de veiligheidsknop naar beneden. Houd deze ongeveer 10 seconden ingedrukt en duw enkele malen snel achter elkaar op de piëzo-ontstekingsknop (aangeduid met een ster, Afbeelding 4. C). Indien u geen vlam krijgt, herhaal dan de procedure. (De lucht die zich nog in de gasleiding van het apparaat bevond voor het werd aangesloten op de gasfles moet eerst verwijderd worden. Pas dan kan het gas ontstoken worden).

De ontsteking kan worden gecontroleerd via het vlammenkijkgaatje (Figuur 5). Wanneer de vlam brandt, moet u de veiligheidsknop nog 20 seconden ingedrukt houden.

De regulatorknop heeft 4 standen:

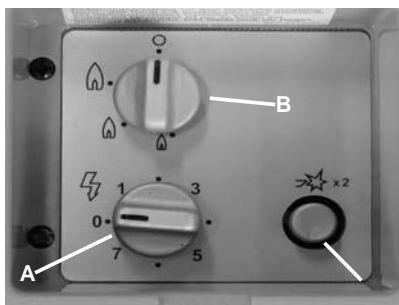
- ☹ : grote vlam (MAX) = maximum gasvoorziening (hoge omgevingstemperatuur ~32 °C);
- ☹☹ : middelgrote vlam (MID)= middelmatige gasvoorziening (normale omgevingstemperatuur ~ 25°C);
- ☹☹☹ : kleine vlam (MIN) = minimale gasvoorziening (lage omgevingstemperatuur ~ 16°C);
- : uitgeschakelde toestand = de brander wordt niet van gas voorzien.

Gasbetrieb abstellen

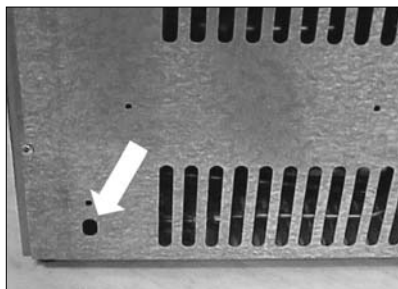
- Gasflaschen- bzw. Druckreglerventil schließen.
- Knopf B rechts herum in Aus-Stellung drehen.



Figure 3



Afbeelding 4.



Afbeelding 5.

6. Bereiden van ijsblokjes

De ijsbak voor 4/5 vullen met drinkwater en met het deksel afsluiten. Eventueel aanwezige waterdruppels van schaal en deksel afwrijven om het vastvriezen te voorkomen. Ijsblokjeschaal in het apparaat op de koeleenheid plaatsen.

Om de vorming van ijsblokjes te versnellen dient u, bij toepassing met stroom, de thermostaatknop of, bij toepassing met vloeibaar gas, de regelaarsknop eventueel gedurende korte tijd op de MAX-stand te regelen. (Vergeet niet de knop weer terug te zetten nadat u de ijsblokjes heeft aangemaakt!)

Om de ijsblokjes eruit te nemen dient u de complete ijsbak kortstondig te laten dooien of een ogenblik onder gewoon leidingwater te houden en vervolgens het deksel van de bak te nemen. De ijsblokjes kunnen nu gemakkelijk uit de bak resp. uit de vakjes in het deksel worden genomen.

7. Nuttige tips

- Voor u op reis vertrekt laat u het apparaat best gedurende 24 uur ingeschakeld op 230 V (zet de thermostaat tussen 'min' en 'max').
- Wanneer het apparaat in werking is, wordt op het verdamperpaneel ijs gevormd. Wanneer u het deksel opent of wanneer voedsel in het apparaat wordt geplaatst, smelt dit ijs gedeeltelijk en vormt zich water op de bodem van het apparaat. Veeg het water af en toe weg met een spons.
- Als u het apparaat als koelbox gebruikt: Plaats liever geen voedsel met een breekbare verpakking (zoals glas) in het apparaat, wanneer wilt verplaatsen. Door de beweging en het schudden van het apparaat kan deze verpakking breken.
- Als u het apparaat als vriesbox gebruikt: Plaats geen voedsel in het apparaat in een verpakking welke niet tegen bevroren kan (zoals glas).
- Zorg ervoor dat, zodra het apparaat zich op een vaste plaats bevindt, het voedsel niet in contact komt met het verdamperpaneel, aangezien dit vriesbrand kan veroorzaken.

8. Ontdooien, schoonmaken en onderhouden

Trek vóór het ontdooien de stekker van het apparaat steeds uit het stopcontact om elektrische schokken te voorkomen. Zorg ervoor dat er geen andere energiebron is aangesloten (gas of 12V/24V). Maak het koelapparaat leeg en laat het deksel openstaan. Afhankelijk van de temperatuur, smelt het ijs van het verdamperpaneel in korte tijd en vormt zich water op

de bodem van het koelapparaat. Veeg dit weg met behulp van een spons. Maak daarna het apparaat schoon volgens de instructies in paragraaf 3. Laat het deksel open zodat er geen nare luchtjes ontstaan. Het apparaat behoeft geen verder onderhoud.

9. Klantenservice

Gelieve het volgende te controleren alvorens contact op te nemen met de Electrolux Servicedienst:


- Zijn de standplaats en ventilatie optimaal ?
- Staat het apparaat waterpas ?
- Staat er spanning op het stopcontact en is de aansluiting geschikt voor het apparaat ?
- Is de elektriciteitskabel beschadigd ?
- Voor werking op elektriciteit, is de elektrische thermostaat ingeschakeld?
- Voor werking op gas, werd de veiligheidsknop lang genoeg ingedrukt ?
- Staat de thermostaat op maximum?
- Staat de gasfles of het drukreducerendventiel open?
- Is de gasfles gevuld ? (De fles is leeg als u bij schudden geen bewegende vloeistof waarneemt).
- Zijn er per toeval twee verschillende energiebronnen aangesloten ? (bijvoorbeeld gas en elektriciteit)
- Werd er warm voedsel in het apparaat gezet ?
- Werden grote hoeveelheden voedsel in een keer in het apparaat gezet ?

Als het apparaat na deze controle nog steeds niet of niet goed functioneert, neem dan contact op met de Electrolux Servicedienst. Wanneer u melding maakt van het probleem, vermeld dan ook de aard van het probleem, het type apparaat, en het product- en serienummer op het typeplaatje.

Wij komen de garantievoorzaken voor het apparaat na.

www.dometic.com

10. Inwerkingstelling

 U mag het apparaat slechts op één energiebron aansluiten. Wanneer u het opverschiedene energiebronnen tegelijk aansluit zal het apparaat niet werken.

Technische gegevens:

Model	RC1200EGP RC1700EGP RC2200EGP	RC1600EGP
Type	JCB- 1	JCB-1
Bruto inhoud	41 liter	33 liter
Spanning	220 - 240V (wisselstroom)	220 - 240V (wisselstroom)
Vermogen	85W	75W
Energieverbruik	1.38kWh/24h	1.35kWh/24h
Accu	12V (gelijkstroom)	12V/24V (gelijkstroom)
Vermogen	85W	75W/65W
Energieverbruik	170Ah/24h	150Ah/24h /65Ah/24h
Gasdruk	28-30 mbar	28-30 mbar
Gasclassificatie	I3 B/P	I3 B/P
Straalomvang	2	2
Nominale warmtebelasting butaan (propan)	134W - 9,8g/h (108W - 7,7g/h)	134W - 9,8g/h (108W - 7,7g/h)
Minimale warmtebelasting butaan (propan)	106W - 7,7g/h (70W - 5g/h)	106W - 7,7g/h (70W - 5g/h)
Klimaatklasse	N	N
Koelmiddel	143g H ₂ O + 67g NH ₃	143g H ₂ O + 67g NH ₃

10.1 Aansluiting op het elektriciteitsnet

Zorg ervoor dat er geen andere energiebron is aangesloten (gas, 12V).

Het apparaat kan slechts werken met nominale netspanning zoals aangegeven op het typeplaatje. De stekker van het apparaat kan aangesloten worden op een volgens de wettelijke voorschriften geaard stopcontact. (In het buitenland kan omwille van andere soorten stopcontacten, een adapter noodzakelijk zijn.

Als er voor de installatie van dit toestel elektrische werken nodig zijn, dan dient een erkende elektricien of een bevoegd persoon deze uit te voeren.

De fabrikant wijst elke verantwoordelijkheid bij niet-naleving van deze veiligheidsmaatregelen.

Elektrische vereisten

Voor u de koelkast aanzet, dient u na te gaan of het voltage hetzelfde is als dat vermeld op het gegevensplaatje van het toestel.

10.2 Aansluiting op de accu van een voertuig

Zorg ervoor dat er geen andere energiebron is aangesloten (gas, 230V).

In de stroomvoedingskabel tussen batterij en koelbox is of moet een zekering in een kabel worden ingebouwd.

Apparaten op 12V moeten op een aansteker aangesloten worden die uitgerust is met een zekering van 10A.


Apparaten op 24V moeten aangesloten worden via een klemmenstrook en een stroomschakelaar en moeten beveiligd zijn met een zekering van 5A. De stroomschakelaar moet geschikt zijn voor het omzetten van een stroom van 5A.

Bij aansluiten van de apparaten hoeft met de aansluitpolen geen rekening te worden gehouden.

Kabeldiameters	max. kabellengte	
	bei 12 V	24 V
2.5 mm ²	tot 2.5 m	5 m
4.0 mm ²	tot 4.0 m	8 m
6.0 mm ²	tot 6.0 m	12 m

10.3 Aansluiting op een gasfles

Zorg ervoor dat er geen andere energiebron is aangesloten (230V, 12V).

 Het apparaat mag niet op stads- of aardgas worden aangesloten. Het is uitsluitend geschikt voor propaan-/butaangas-toepassing.

Op het typeplaatje (zie achterwand van het apparaat) is de voorgeschreven gasaansluitdruk in mbar vermeld. Er dient een dienovereenkomstige drukregelaar te worden gebruikt.

HET APPARAAT MAG MET GEEN ANDERE DAN DE OP HET TYPEPLAATJE VERMELDE DRUK WORDEN GEBRUIKT.

10.4 Artikelen die nodig zijn voor de aansluiting van de koelbox/gasfles

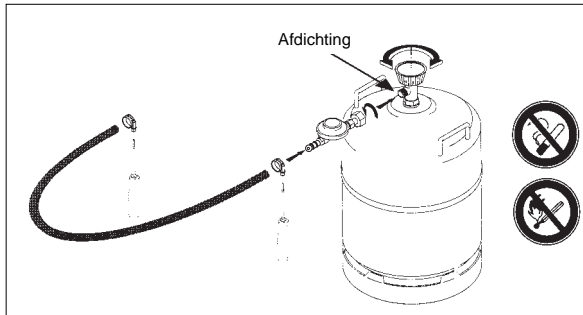
- Gasfles
 - a) Camping-propaangasfles met vast ingebouwde gasklep, inhoud 5 kg of 11 kg. Kleur: grijs. Flessen met een andere kleur tot 14 kg inhoud moeten volgens hetzelfde systeem worden aangesloten.
 - b) Gasflessen met een binnenliggende kogel terugslagklep tot 3 kg inhoud.
- Vast ingestelde, goedgekeurde drukregelaar, geschikt voor de gebruikte gasfles (zie aansluiting van de gasfles).
- Goedgekeurde slangleiding van de juiste lengte, die geschikt is voor een knikvrije montage.
- Beksleutel met bekwijsde 17 en een sleutel met de juiste wijsde voor de drukregelaar.
- Lekzoekmiddel (lekzoekspray of een schuimvormend middel).

10.4.1. Aansluiting van een gasfles met een vast ingebouwde gasklep (Zie afbeelding 9)

- Controleer of de dichting aan het verbindingstuk van de gasflesklep aanwezig en onbeschadigd is. Gebruik geen extra dichtingen. De gasklep van de fles moet tijdens de gehele installatie gesloten blijven.
- Laat een kleine hoeveelheid gas ontsnappen om eventueel aanwezig vuil uit de gasflesklep te verwijderen.
- Schroef de kartelmoer van de drukregelaar zonder gereedschap handmatig linksom vast en sluitend op het aansluitstuk van de gasflesklep.
- Schroef de kartelmoer van de slangleiding linksom op het afvoerstuk van de drukregelaar. Voor het sluitend vastdraaien van de kartelmoer moet u een beksleutel met 17 mm bekwijfde gebruiken. Om te voorkomen dat er een niet toegestane krachtoverbrenging op het aansluitstuk van de fles ontstaat, moet met een tweede beksleutel de drukregelaar worden tegengehouden. Deze sleutelwijdte is afhankelijk van de uitvoering van de drukregelaar.
- Sluit het tweede uiteinde van de slangleiding aan op het aansluitstuk van de box en borg de slangleiding met een slangklem (afbeelding 8).
- Open de gasklep en controleer de dichtheid van alle verbindingen met een lekzoekspray. Wanneer op de verbindingpunten geen blaasjes ontstaan, zijn deze goed dicht.



Afbeelding 8.



Afbeelding 9.



**EEN DICHTHEIDSCONTROLE MET OPEN VLAM IS NIET TOEGESTAAN!
NIET ROKEN! EXPLOESIE- EN VERBRANDINGSGEVAAR!**

10.4.2. Aansluiting van een gasfles met binnenliggende kogelrugslagklep

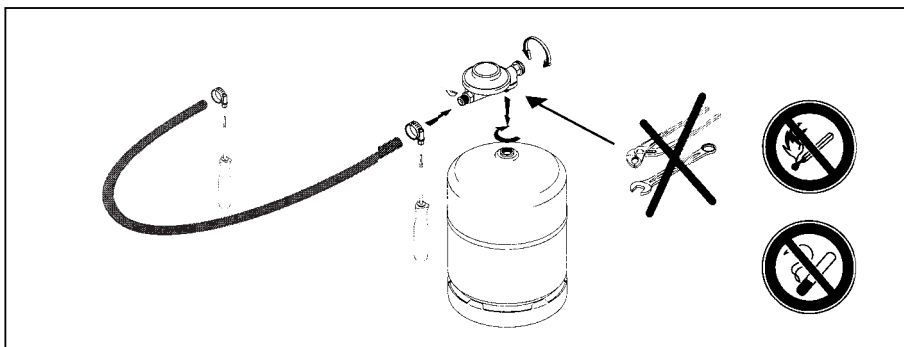
(Zie afbeelding 10)

- Controleer of in de gasflesaanluiting en in het schroefstuk van de drukregelaar de dichtingen aanwezig en onbeschadigd zijn. Gebruik geen extra dichtingen.
- Sluit de klep van de drukregelaar en houd deze gedurende de gehele installatie gesloten.
- Schroef zonder gereedschap handmatig de drukregelaar vast en sluitend rechtsonder in de schroefdraad van de fles.
- Schroef de kartelmoer van de slangleiding linksom op het afvoerstuk van de drukregelaar. Voor het sluitend vastdraaien van de kartelmoer moet u een beksleutel met 17 mm bekwijde gebruiken. Om te voorkomen dat er een niet toegestane

krachtoverbrenging op het aansluitstuk van de fles ontstaat, moet met een tweede beksleutel de drukregelaar worden tegengehouden. Deze sleutelwijdte is afhankelijk van de uitvoering van de drukregelaar.

- Sluit het tweede uiteinde van de slangleiding aan op het aansluitstuk van de box en borg de slangleiding met een slangklem (Afbeelding 8).
- Open de gasklep en controleer de dichtheid van alle verbindingen met een lekzoekspray. Wanneer op de verbindingpunten geen blaasjes ontstaan, zijn deze goed dicht.

⚠ Vóór de vervanging van een gasfles en/of demontage van een slangleiding moet altijd eerst de klep van de gasfles of van de drukregelaar worden gesloten. Vervang poreuze of beschadigde slangleidingen door nieuwe.



Afbeelding 10.



**EEN DICHTHEIDSCONTROLE MET OPEN VLAM IS NIET TOEGESTAAN!
NIET ROKEN! EXPLOSIE- EN VERBRANDINGSGEVAAR!**

11. Informatie omtrent milieubescherming

Het apparaat bevat geen CFK's/HCFK's.

Ammoniakgas (natuurlijke waterstof en stikstofverbinding) wordt gebruikt als koelmiddel in het koelapparaat.

Het ozonvriendelijke cyclopentaan dient als agens voor de polyurethaan schuimisolatie.

Der anvendes natriumchromat til korrosjonsbeskyttelse (i en koncentration på mindre end 2% i kølervæsken).

12. Recycling

Nadat u het apparaat heeft uitgepakt, brengt u het verpakkingsmateriaal bij voorkeur naar een plaatselijk inzamelpunt. Na de nuttige levensduur, moet het apparaat afgeleverd worden bij een gemeentelijk inzameldepot of bij een gespecialiseerd inzamel- en recyclingbedrijf, dat de nog bruikbare materialen terugwint. De rest wordt volledig vernietigd.



Apparaten, die met dit symbool zijn voorzien, moeten bij het gemeentelijk verzamelpunt voor afgedankte elektrische en electronische apparatuur worden afgegeven.

Ze mogen niet via het gewone huisafval worden weggegooid.

Bij koelkasten van Dometic staat het symbool op het typeplaatje aan de achterkant van het apparaat.

Dit apparaat voldoet aan de volgende EEG-richtlijnen:

LVD-Richtlijn	2006/95/EG
EMC-Richtlijn	2004/108/EG
Gas-Richtlijn	90/396/EEG
CE-Richtlijn	93/68/EEG
RoHS-Richtlijn	2002/95/EG
WEEE-Richtlijn	2002/96/EG



Lea atentamente el Manual de Instrucciones antes de poner la unidad refrigeradora en marcha. Si más tarde Ud. la vende o se deshace de ella, asegúrese entonces de que el nuevo propietario reciba también el Manual de Instrucciones.

Muchas gracias por haber adquirido nuestro equipo. Esperamos que le proporcione un uso sin problemas.

A continuación intentaremos familiarizarle con algunos símbolos, cuyo objetivo es llamar su atención para garantizar un servicio seguro y eficiente:



Fuente de peligro en caso de manejo indebido



Sugerencias útiles a tener en cuenta



Información relativa a la protección del medio ambiente

El refrigerador que acaba de adquirir está diseñado para que funcione mediante corriente eléctrica, batería del coche o botellas de gas (a baja presión).



Atención!

- Su refrigerador portátil - **en operación de gas** - solo puede utilizarse en un lugar bien ventilado, por encima del suelo, donde esté protegido de la lluvia y salpicaduras de agua.
- El aparato no debe de ser utilizado **en operación de gas con vehículos de motor** mientras el vehículo o embarcación esté en movimiento.
- ¡Queda terminantemente prohibido el uso de gas líquido en habitaciones cerradas!

¡ESTE REFRIGERADOR SÓLO DEBE UTILIZARSE CON FUNCIONAMIENTO A GAS AL AIRE LIBRE!

Usar al aire libre significa también tiendas de campaña (entoldado) que estén bien ventiladas durante el funcionamiento del aparato, así como patios al nivel del suelo.

- En servicio eléctrico puede ser también utilizado en un recinto cerrado. En este caso, debe estar protegido de la humedad.
- Está prohibido el almacenamiento de sustancias tóxicas o explosivas en este aparato.
- Ponga este aparato a funcionar alimentándolo siempre con una sola fuente de energía.
- Para que pueda funcionar con eficacia es importante que la parte trasera de la unidad reciba tanta ventilación como sea posible para permitir que el calor salga. El punto más caliente se encuentra en las cercanías del quemador y **especialmente cuando se está utilizando con gas**, es esencial que este lugar se mantenga libre de cualquier obstrucción o material inflamable (por ejemplo, hierba o plásticos para el suelo que puedan arder).
- Este electrodoméstico no debe ser utilizado por personas (incluidos niños) con capacidades físicas, sensoriales o mentales reducidas, o con falta de experiencia o sin los conocimientos necesarios, a no ser que sean supervisados o instruidos por personas que se responsabilicen de su seguridad.

Los niños deben ser supervisados para asegurar que no jueguen con el aparato.

INDICE

1. Desembalaje
2. Descripción del aparato
3. Limpieza
4. Colocación del aparato
5. Servicio del aparato
 - 5.1 Con electricidad de la red
 - 5.2 Con batería de vehículo
 - 5.3 Con botella de gas
6. Preparación de cubitos de hielo
7. Sugerencias útiles
8. Descongelación, limpieza y mantenimiento
9. Servicio al cliente
10. Puesta en marcha, características técnicas
 - 10.1 Conexión a alimentación eléctrica
 - 10.2 Conexión a batería de vehículo
 - 10.3 Conexión a botella de gas
 - 10.4 Artículos necesarios para conexión refrigerador/botella de gas
 - 10.5 Conexión de una botella de gas con válvula de toma fila
 - 10.6 Conexión de una botella de gas con válvula de seguridad interior
11. Protección del medio ambiente, Información
12. Reciclaje



Atención!

Las condiciones de la garantía corresponden a la Directiva 44/1999/CE de la Unión Europea y las respectivas leyes vigentes del país donde se utilice este aparato.

Si usted tiene alguna pregunta sobre la garantía y el servicio al cliente o si necesita piezas de recambio, diríjase por favor a la red de servicio de Dometic.

La garantía no cubre daños causados por el uso indebido de este aparato.

La garantía no cubre las modificaciones al aparato ni tampoco el empleo de piezas de recambio que no sean piezas originales de Dometic.

La garantía queda anulada si este aparato se instala o se utiliza de forma contraria a la estipulada en las instrucciones.

Indique por favor el nombre del modelo así como el número del producto y su número de serie al comunicarse con la red de servicio de Dometic. Hallará estos datos en la placa de características técnicas situada en la parte posterior del aparato.

1. Desembalaje

Después de quitar la caja de embalaje, controle si el aparato presenta algún daño. Si halla Ud. alguna avería debida al transporte, informe entonces inmediatamente a la empresa de transporte.

2. Descripción del aparato

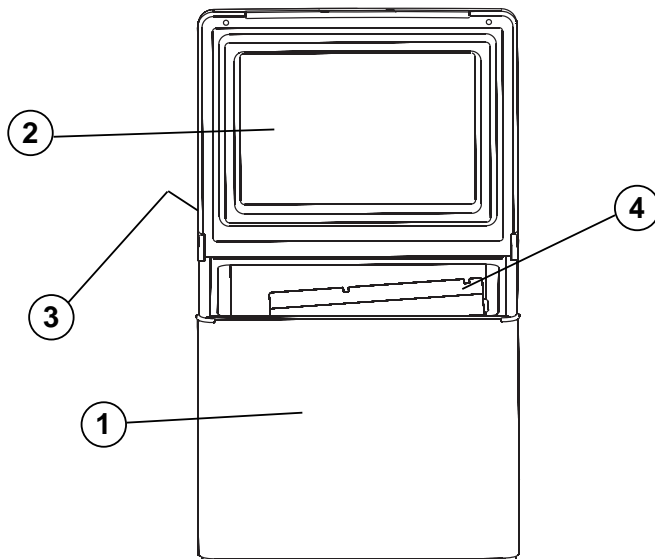


Figure 1.

1. Chasis aislante de calor

2. Tapa aislante de calor

3. Elementos de control

4. Panel de evaporación

3. Limpieza

i Limpiar el aparato por dentro y por fuera antes de ponerlo en servicio.

- Utilice, para ello, un paño suave, agua templada y un detergente no abrasivo. Procurar que no penetre agua en la rejilla posterior o en los elementos de control.
- Limpiar después el aparato con un paño limpio y agua limpios y secarlo.
- A fin de evitar averías, no utilice jabón, sosa o limpiadores abrasivos.

4. Colocación del aparato

i Durante el proceso de refrigeración, el aparato envía aire caliente a través del condensador (debajo de la parte superior de la cubierta posterior) hacia el aire circundante. Cuanto más ventilado esté el condensador, tanto más efectiva será la refrigeración.

- La segunda condición para un funcionamiento satisfactorio es que el aparato esté asentado sobre una superficie plana. Esto puede apreciarse colocando un vaso de agua sobre el aparato.
- Es importante que el aparato no esté expuesto a la radiación directa de calor (luz solar, radiador, cerca de un horno, etc.).
- En caso de utilización con gas, deje los siguientes espacios libres: 10 cm como mínimo desde la parte posterior del aparato, 4 cm como mínimo a ambos lados, 30 cm como mínimo desde la parte superior del aparato y 5 cm como mínimo desde la parte inferior.
- Todas las materias inflamables (papel, madera, hierba, tejidos, etc.) que se encuentren cerca del aparato deben mantenerse a la distancia indicada anteriormente.

5. Servicio del aparato

El cable de conexión a la red, la conexión a 12V y conectador de enganche para el gas van localizados en la parte derecha de la cubierta posterior del refrigerador, detrás de la puerta (Fig. 2).

5.1 Servicio con electricidad de la red

Observar que el voltaje indicado en la placa de características del aparato coincide con el de la red a la cual se desea conectar. Para ponerlo en funcionamiento, tire del cable de alimentación a la red eléctrica y conéctelo a un enchufe con toma de tierra.

Al conectar el aparato por primera vez graduar el termostato al máximo (Fig. 4. A.) y después de aproximadamente 5 horas, reducirlo a la posición media, de acuerdo a sus necesidades.

Nota: en cada caso, el enchufe corresponderá a las normas del país en que se use este aparato y puede, por tanto, ser diferente al que se muestra en la figura.

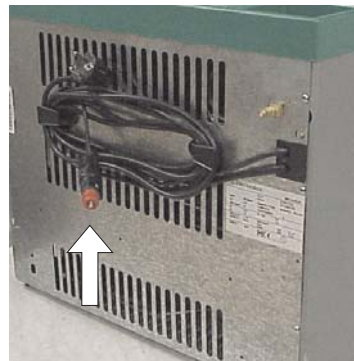


Figure 2

5.2 Servicio con batería de vehículo

Observar que el voltaje indicado en la placa de características del aparato coincide con el de la batería del vehículo (12V o 24V).

Los aparatos para 12V DC van equipados con enchufes para el encendedor de cigarrillos (Fig. 3). En algunos tipos de vehículos es necesario quitar el anillo rojo de plástico del extremo del enchufe. Para ello, girar el anillo de plástico en sentido inverso a las agujas del reloj y extraerlo. El aparato puede ser ya conectado en el encendedor. En servicio de 12V, el aparato funciona ininterrumpidamente sin control de temperatura.

Los aparatos para 24V DC van equipados con cables de extremo desnudo. Estos tienen que ser conectados a un bloque terminal conectado a su vez a la batería del vehículo a través de un fusible de 5A y un interruptor de 5A.

i Si el motor del vehículo no está en marcha, debe desconectarse del encendedor de cigarrillos el enchufe del aparato (aparato con alimentación de 12V) o se debe apagar el interruptor (aparato con alimentación de 24V). De lo contrario, el aparato en servicio descargaría la batería del vehículo en muy poco tiempo.

5.3 Servicio con botella de gas

La conexión a las botellas de gas se describe en las secciones 9.3. y 9.4.

Después de abrir la válvula de la botella de gas y controlar si existen fugas, girar el termostato a la posición máxima (Fig. 4 B.), voltear hacia abajo la válvula de seguridad, mantenerla así durante aproximadamente 10 segundos y presionar después varias veces seguidas el botón piezo-eléctrico (marcado con una estrella, Fig. 4 C.) en secuencia rápida. Si no se enciende la llama, repetir la operación. (Es necesario evacuar el aire alojado en la tubería del aparato antes de conectarlo a la botella de gas. Solo así puede circular el gas libremente).

Puede observarse el encendido de la llama a través de la mirilla (Fig. 5). Después de encendida la llama mantener oprimida la válvula de seguridad durante otros 20 segundos.

El botón de regulación tiene 4 posiciones:

- ⤴ : llama grande (MAX) = cantidad máxima de gas (temperatura ambiental alta ~32 °C);
- ⤴ : llama mediana (MID) = cantidad mediana de gas (temperatura ambiental normal ~ 25°C);
- ⤴ : llama pequeña (MIN) = cantidad mínima de gas (temperatura ambiental baja ~ 16°C);
- : posición apagada = el quemador no recibe gas

Desconexión del funcionamiento a gas

- Cierre la válvula de la botella de gas o la válvula reductora de presión.
- Gire el mando **B** hacia la derecha a la posición de apagado.



Figure 3

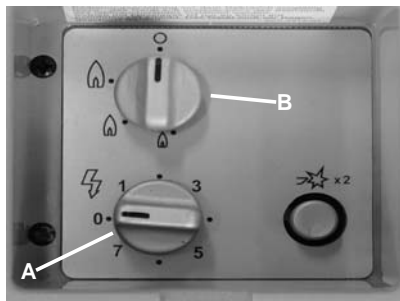


Figure 4.

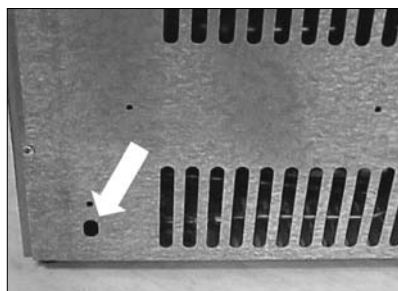


Figure 5.

6. Preparación de cubitos de hielo

Llene la bandeja de hielo hasta sus 4/5 partes con agua potable y ciérrela con la tapadera. Si hay gotas de agua en la bandeja o en la tapadera séquelas para evitar que se congelen. Coloque la bandeja para hielo en el reflector de frío.

Para acelerar la formación de cubitos de hielo y si es necesario gire, en caso de conexión eléctrica, el termostato y, en caso de funcionamiento a gas líquido, el mando regulador a la posición máxima «MAX», por un corto espacio de tiempo. (¡No se olvide de volver a girarlo a una posición inferior una vez finalizado el proceso para la formación de cubitos de hielo!). Para sacar los cubitos de hielo de la bandeja debe dejar que se descongele durante un corto espacio de tiempo o ponerla bajo un chorro de agua a temperatura normal. Qúitele la tapadera. Ahora podrá sacar fácilmente los cubitos de hielo de la bandeja o la tapadera.

7. Sugerencias útiles

- Para preparar un viaje, poner el aparato en funcionamiento en 230 V (ajuste del termostato entre "min" y "max" 24 horas antes de emprender el viaje. Colocar los productos en el aparato previamente enfriados.
- Se forma hielo en el panel evaporador durante el servicio. Al abrir la tapa o colocar alimentos, parte de ese hielo se derrite y va a parar en forma de agua al fondo del aparato. Eliminar ocasionalmente el agua con un paño absorbente.
- Evitar colocar alimentos con envases frágiles (como vidrio) en la unidad refrigeradora. Los movimientos y sacudidas pueden ser causa de rotura de esos envases.
- Una vez que la unidad refrigeradora esté en su posición definitiva, procure que los alimentos no tengan contacto con el panel evaporador, ya que éste puede causar quemaduras por congelación en los alimentos.

8. Descongelación, limpieza y mantenimiento

Para descongelar desenchufar siempre al aparato de la alimentación eléctrica, para evitar el peligro de choques eléctricos. Asegúrese de que ninguna otra fuente de energía esté conectada (gas o 12V / 24V). Quite los alimentos de la unidad refrigeradora y deje la tapa abierta. De acuerdo a la temperatura, el hielo se derrite rápidamente en el panel evaporador y el agua es recogida en el fondo de la unidad refrigeradora.

Eliminarla con un paño absorbente. A continuación, limpiar el aparato siguiendo las instrucciones indicadas en la sección 3. Dejar la tapa ligeramente abierta para evitar malos olores. El aparato no requiere ningún otro tipo de mantenimiento.

9. Servicio al cliente

Antes de avisar al Servicio al Cliente compruebe lo siguiente:


- Son satisfactorias la ubicación y la ventilación?
- Está nivelado el aparato?
- Existe corriente en el enchufe de la pared y es apto el enchufe para el aparato?
- Está deteriorado el cable de alimentación de la red?
- Está conectado el termostato eléctrico para alimentación de la red?
- Para el funcionamiento con gas fue oprimido el botón de la válvula de seguridad durante el tiempo suficiente?
- Está graduado el termostato hacia la posición máxima?
- Está abierta la botella de gas o la válvula reguladora de presión?
- Tiene gas la botella? (si agitando la botella no se oye ruido de líquido, es que la botella está vacía)
- Hay, acaso, dos fuentes diferentes de energía conectadas (como gas y electricidad)?
- Han sido colocados alimentos calientes en el aparato?

Si, después de controlar estos puntos, el aparato no funciona correctamente, avise entonces al Servicio al Cliente. Al comunicar el problema, especifique el tipo de problema, el número del aparato y el número de serie de la placa de características técnicas.

Asumimos la garantía en base a las condiciones de garantía para el aparato.

www.dometic.com

10. Puesta en marcha

 Debe emplearse siempre una sola fuente de energía. La conexión de varias fuentes de energía al mismo tiempo puede causar averías en el aparato.

Características técnicas

Modelo	RC 1200 EGP RC 1700 EGP RC 2200 EGP	RC 1600 EGP	
Tipo	JCB - 1	JCB - 1	
Volumen bruto	41 litro	33 litro	
Alimentación de red	220 - 240V (AC)	220 - 240V (AC)	
Entrada	85W	75W	
Consumo de energía	1.38 kWh/24h		
Servicio con batería	12V (DC)	12V (DC)	24V (DC)
Entrada	85W	75W	65W
Consumo de energía	170Ah/24h	150Ah/24h	65Ah/24h
Presión de gas (p)	28-30/37 mbar		
Clasificación de gas	I ₃₊	I ₃₊	
Diámetro conductor	2		
Capacidad calorífica nominal butane (propane)	134W - 9,8 g/h (118W - 8,4g/h)	134W - 9,8 g/h (118W - 8,4g/h)	
Capacidad calorífica mínima butane (propane)	106W - 7,7g/h (86W - 6,1g/h)	106W - 7,7g/h (86W - 6,1g/h)	
Clase de clima	N		
Refrigerante	143g H ₂ O + 67g NH ₃	143g H ₂ O + 67g NH ₃	

10.1 Conexión a alimentación eléctrica

Asegúrese de que no está conectada ninguna otra fuente de energía (gas, 12V).

Solo debe manejarse el aparato con el voltaje nominal de la red indicado en la placa de características. El aparato debe enchufarse a un enchufe de la red con toma de tierra, conforme a las disposiciones vigentes. (A causa de los diferentes tipos de corriente, en algunos países puede ser necesario un adaptador).

Cualquier trabajo eléctrico que se precise para la instalación de esta unidad, deberá ser realizado por personal eléctrico cualificado o por alguna persona competente.

El fabricante no asumirá ninguna responsabilidad, si no se observan estas medidas de seguridad.

Requisitos eléctricos

Antes de conectarlo, asegúrese de que el voltaje del suministro eléctrico es el mismo que el indicado en la placa de datos de la unidad.

10.2 Conexión a batería de vehículos

Asegúrese de que no está conectada ninguna otra fuente de energía (gas, 230V).

Para hacer posible el funcionamiento con batería debe de introducirse o estar ya introducido un fusible en el conductor de corriente entre la batería y el refrigerador móvil refrigerador.

Los aparatos de 12V deben ser conectados al encendedor de cigarrillos de un vehículo, el cual debe estar protegido con un fusible de 10A.

Los aparatos de 24V deben ser conectados a un bloque terminal con un interruptor interpuesto y un fusible de protección de 5A. El interruptor deberá ser el adecuado para corriente 5A.

No es necesario tener en cuenta la polaridad al conectar el aparato.

Sección del cable	Longitud máxima del cable	
	bei 12 V	24 V
2.5 mm ²	de 2.5 m	5 m
4.0 mm ²	de 4.0 m	8 m
6.0 mm ²	de 6.0 m	12 m

10.3 Conexión a botella de gas

Asegúrese de que no está conectada ninguna otra fuente de energía (230V, 12V).

No debe usarse nunca el aparato con gas natural o gas ciudad. Únicamente es apropiado para el funcionamiento con gas propano o butano.

El refrigerador está equipado para la presión de gas que corresponde al estándar del país en el que se vende el aparato. En la placa de características va indicada la presión correcta. Es importante utilizar una válvula reductora de presión que no sea regulable para disminuir la presión en el cilindro de la toma de gas de acuerdo con la presión de funcionamiento indicada en la placa de características; no debe usarse ningún otro tipo de presión.

Los mandos de control de válvulas de aguja a gas no son adecuados para este aparato y no deben ser utilizados como sustitutos de un regulador de presión.

10.4 Artículos necesarios para conexión refrigerador/botella de gas

- Botella de gas

Se utilizan normalmente

- a) Botellas de gas propano para camping con válvula de toma fija, de 5 kg u 11 kg de cabida, color gris. Las botellas de otro color, de hasta 14 kg, de cabida, se conectan también por el mismo sistema.
 - b) Botellas de gas con válvula de seguridad interior de hasta 3 kg de cabida.
- Manóstató de ajuste fijo, autorizado y apropiado para la botella de gas utilizada (ver conexión de botella de gas).
 - Manguera autorizada y de una longitud que permita un montaje sin pandeo.
 - Llave bifurcada con ancho de boca 17 y otra con un ancho de boca apropiado para el manóstató.
 - Producto para detectar fugas (spray u otro producto que forme espuma).

10.5 Conexión de una botella de gas con válvula de toma fila

- Asegúrese de que la junta del racor de conexión de la válvula de la botella no esté dañada. No utilizar juntas adicionales. La válvula de la botella

tiene que permanecer cerrada hasta que la instalación esté completa.

- Enroscar la tuerca de racor del manóstató al racor de conexión de la válvula de la botella y apretarla bien a mano (sin herramienta) girándola a la izquierda.
- Enroscar la tuerca de racor de la manguera al racor de salida del manóstató y apretarla bien, girándola a la izquierda, con una llave bifurcada de un ancho de boca de 17 mm. Para evitar que sea ejercida una fuerza inadmisiblesobre el racor de conexión del manóstató a la botella, hay que sujetar el manóstató con una segunda llave bifurcada. El ancho de boca depende del tipo de manóstató.
- Introducir el otro extremo de la manguera en el racor de conexión del refrigerador y asegurarlo bien con una abrazadera para mangueras.
- Abrir la válvula de la botella y comprobar la hermeticidad de todas las conexiones con un spray detector de fugas. Habrá hermeticidad siempre que no se forme ninguna burbuja en los puntos de conexión.

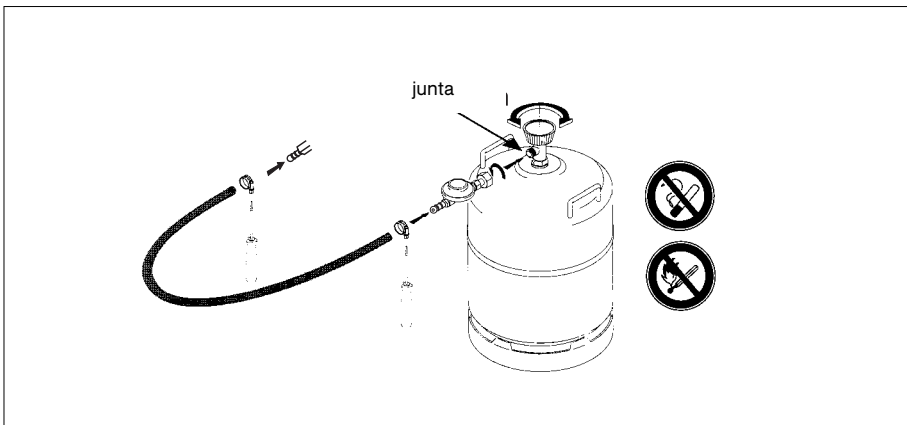


Figure 8.



¡No está permitido comprobar la hermeticidad con llama viva!
¡NO FUMAR! ¡PELIGRO DE EXPLOSION Y QUEMADURAS!

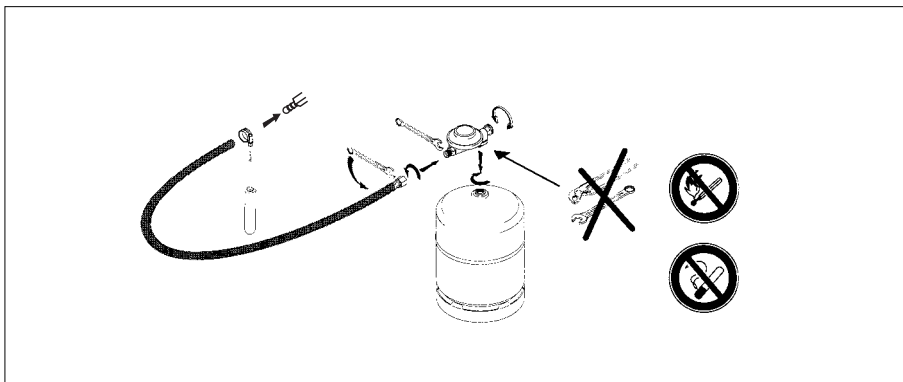



Figure 9.



**¡No está permitido comprobar la hermeticidad con llama viva!
¡NO FUMAR! ¡PELIGRO DE EXPLOSION Y QUEMADURAS!**

10.6 Conexión de una botella de gas con válvula de seguridad interior

- Asegúrese de que la junta de conexión de la botella y la del racor de enroscar del manóstató no estén dañadas. No utilizar juntas adicionales.
- Cerrar la válvula del manóstató y mantenerla cerrada hasta que esté completa la instalación.
- Enroscar el manóstató en la rosca de la botella y apretarlo bien a mano (sin herramienta) girándolo a la derecha.
- Enroscar la tuerca de racor de la manguera al racor de salida del manóstató y apretarla bien girándola a la izquierda, con una llave bifurcada de un ancho de boca d 17 mm. Para evitar que sea ejercida una fuerza inadmisiblesobre el racor de conexión del manóstató a la botella, hay que sujetar el manóstató con una segunda llave bifurcada. El ancho de boca depende del tipo de manóstató.
- Introducir el otro extremo de la manguera en el racor de conexión del refrigerador y asegurarlo bien con una abrazadera para mangueras.
- Abrir la válvula de la botella y comprobar la hermeticidad de todas las conexiones con un spray detector de fugas. Habrá hermeticidad siempre que no se forme ninguna burbuja en los puntos de conexión.

 Al cambiar la botella de gas y/o desmontar la manguera, es imprescindible cerrar antes la válvula de la botella de gas o la del manóstató. Debe ser sustituida inmediatamente toda manguera porosa o dañada.

11. Protección del medio ambiente Información

El aparato no contiene CFC/HCFC.

Como agente refrigerante del aparato se emplea amoníaco (compuesto de nitrógeno e hidrógeno natural).

El ciclopentano, compatible con el medio ambiente, está activado como agente motor para el aislamiento de espuma de PU.

El cromato sódico se utiliza para la protección contra la corrosión (menos del 2% del peso del refrigerante)

12. Reciclaje

Después de desempacar el aparato, los materiales de embalaje deben ser enviados a un centro local de recogida. Al final de su vida útil, el aparato deberá ser enviado a un centro de especializado de recogida y reprocesamiento, para que se recuperen los materiales aprovechables. El resto deberá ser destruido adecuadamente.



Los aparatos que lleven este símbolo deberán depositarse en los lugares locales de recogida de aparatos eléctricos y electrónicos. Este producto no debe desecharse en la basura doméstica convencional. Los refrigeradores de Dometic llevan el símbolo en la placa de datos (placa indicadora) situada en la parte posterior del aparato.

Este parato se ajusta a las siguientes directivas de la CEE:

Directiva LVD	2006/95/CE
Directiva EMC	2004/108/CE
Directiva sobre gas	90/396/CEE
Directiva CE	93/68/CEE
Directiva RoHS	2002/95/CE
Directiva WEEE	2002/99/CE

