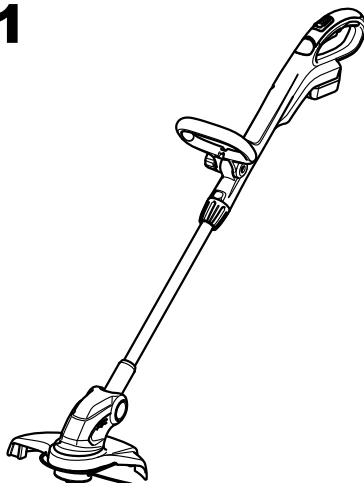




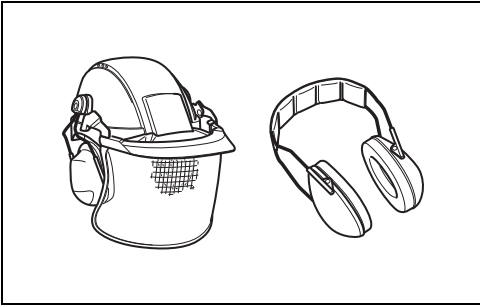
| | | |
|-----------|---|--------------------------------|
| GB | Cordless String Trimmer | Instruction manual |
| F | Coupe herbe sans-fil | Manuel d'instructions |
| D | Akku-Rasentrimmer | Betriebsanleitung |
| I | Tagliabordi a batteria | Istruzioni per l'uso |
| NL | Accugraskantmaaier | Gebruiksaanwijzing |
| E | Desbrozadora Inalámbrica | Manual de instrucciones |
| P | Aparador de Grama a Bateria | Manual de instruções |
| DK | Batteridrevet græstrimmer | Brugsanvisning |
| GR | Χλοκοπτικό μπαταρίας με μεσινέζα | Οδηγίες χρήσης |
| TR | Akülü Misinalı Yan Tırpan | Kullanım kılavuzu |

DUR141
DUR181



012390





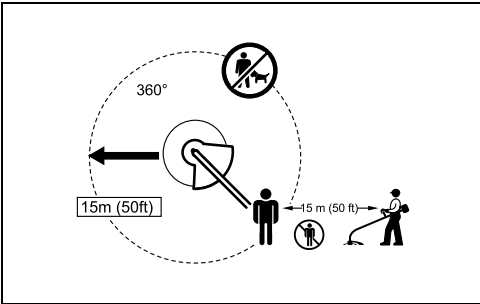
1

010820



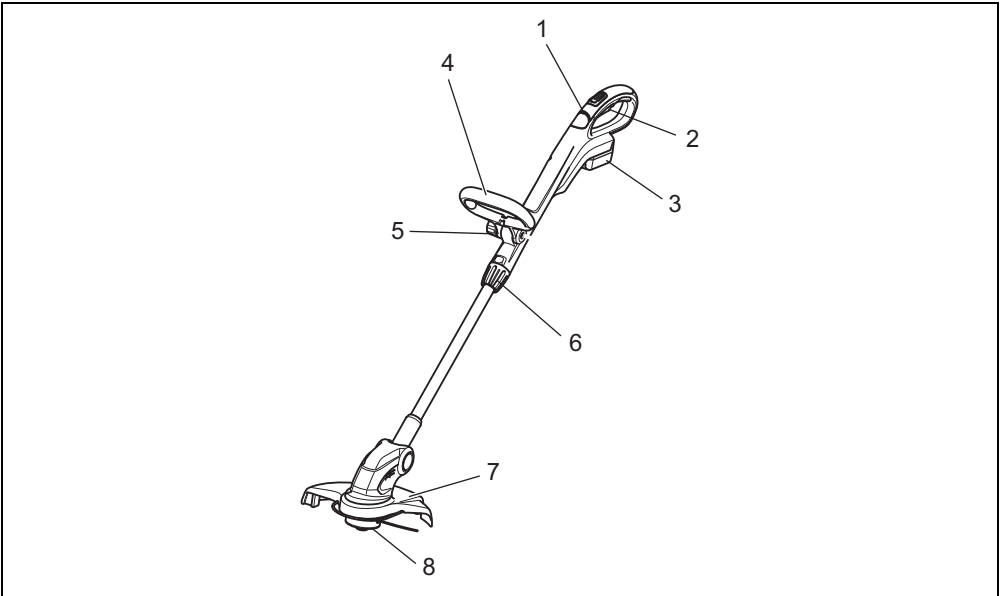
2

010821



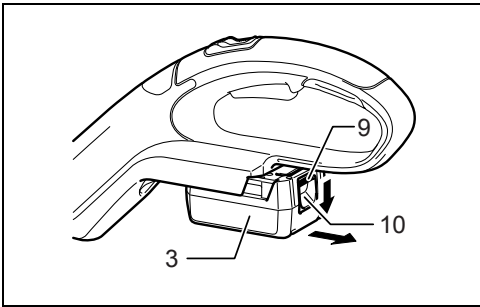
3

012858



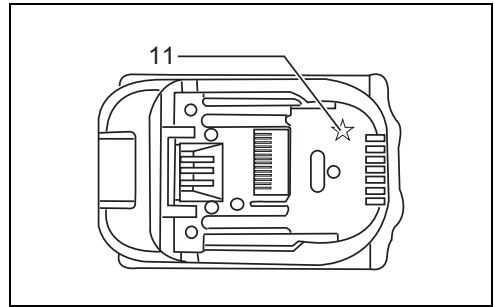
4

013641



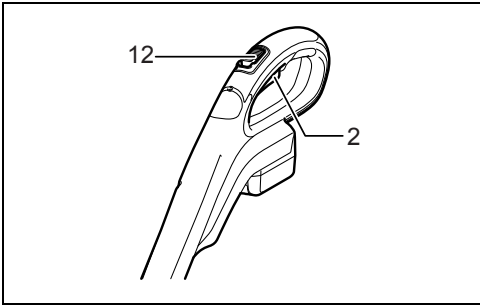
5

012391



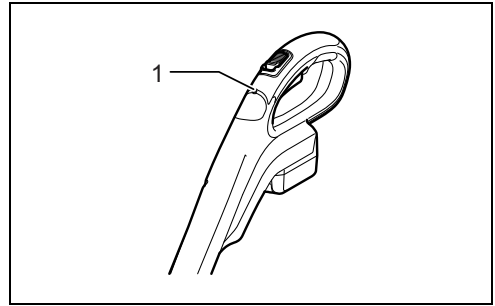
6

012128



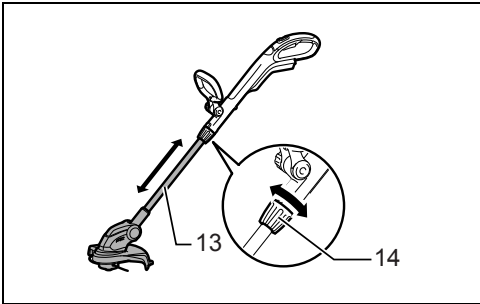
7

012397



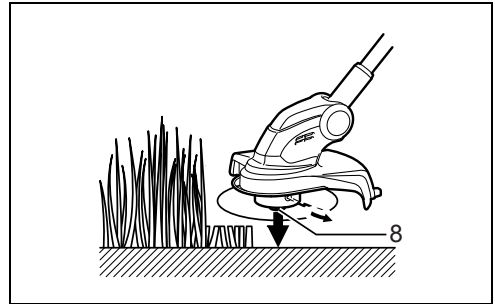
8

012441



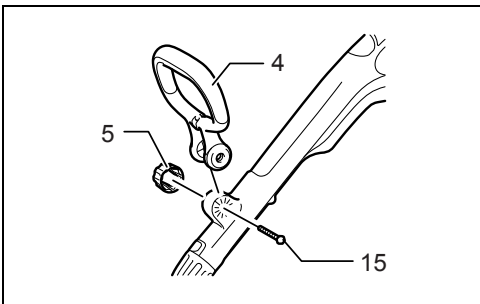
9

012396



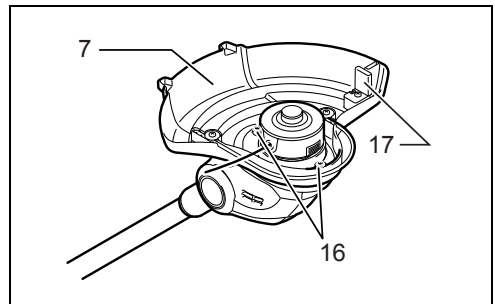
10

012404



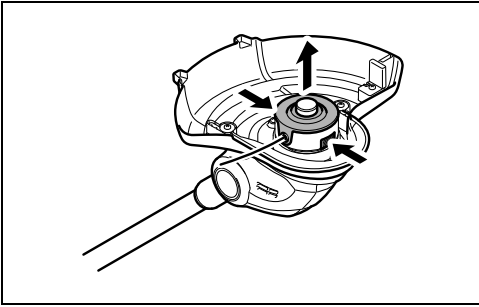
11

012394



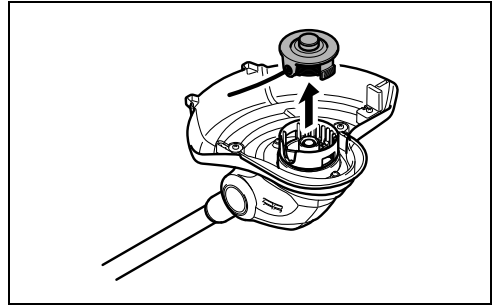
12

012393



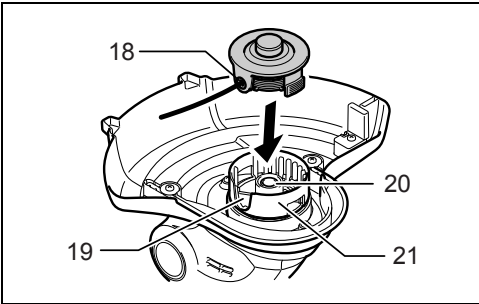
13

012408



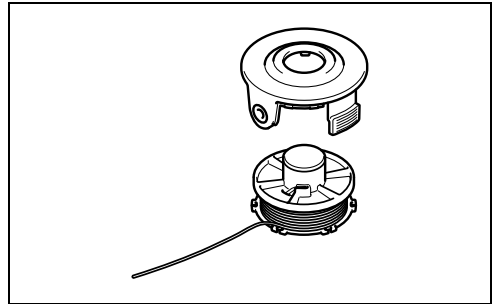
14

012409



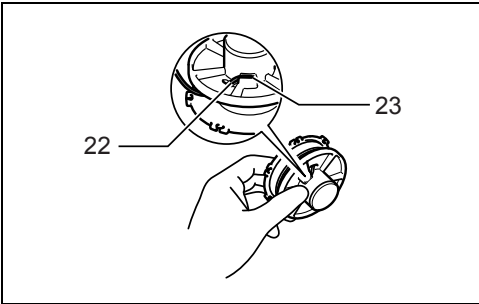
15

012440



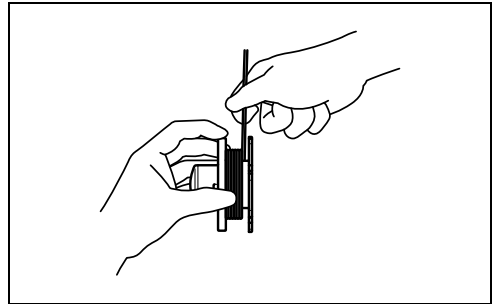
16

012412



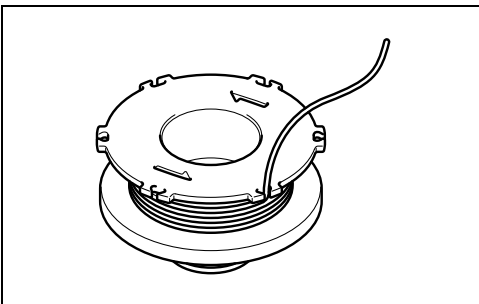
17

012413



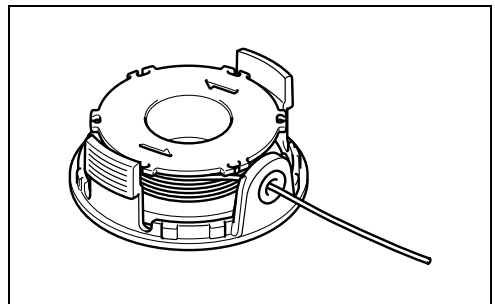
18

012414



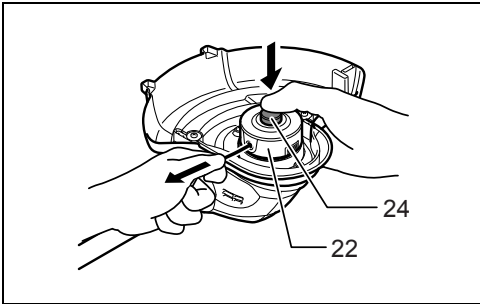
19

012415



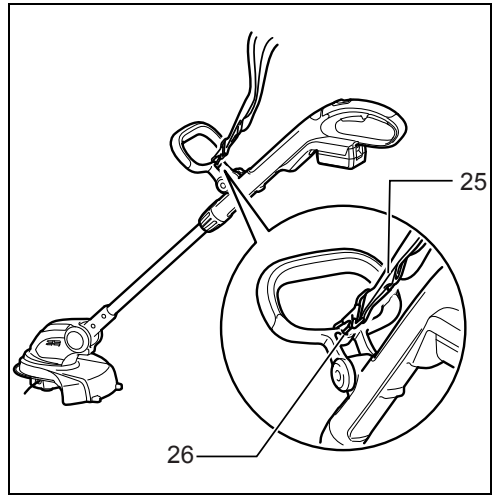
20

012416



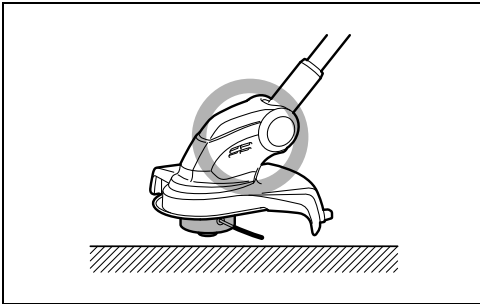
21

012417



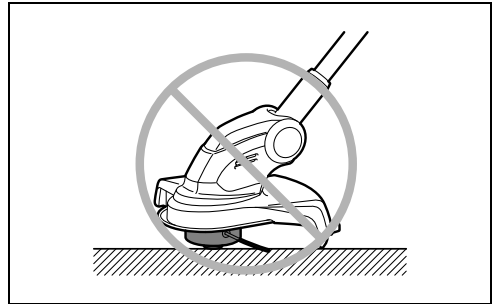
22

012395



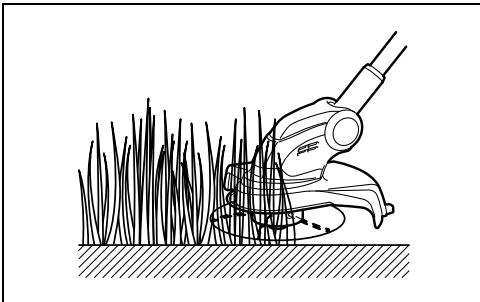
23

012399



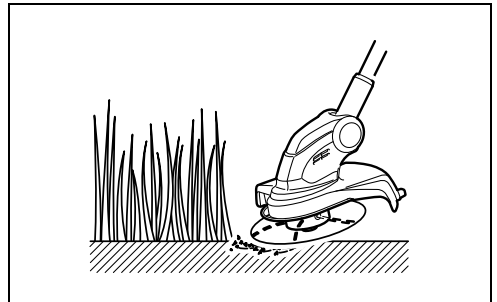
24

012400



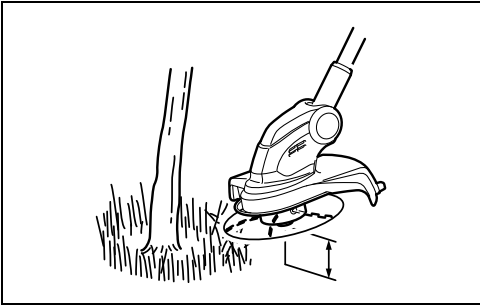
25

012401



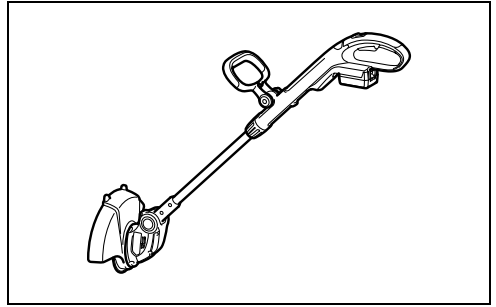
26

012402



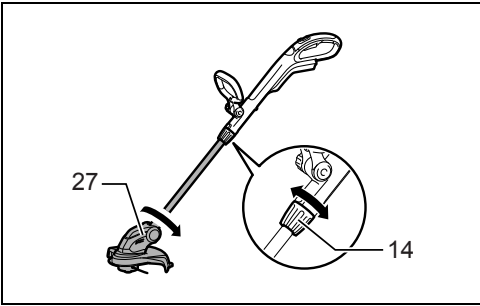
27

012403



28

012406



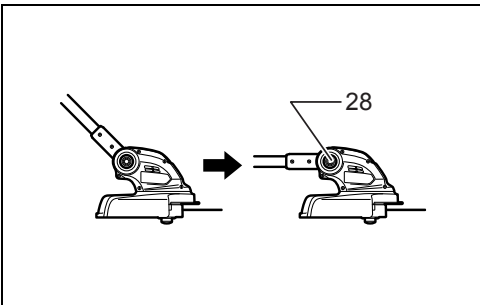
29

012405



30

012407



31

012398

ENGLISH (Original instructions)

Explanation of general view

- | | | |
|-----------------------|---|---------------------------------|
| 1. Indication lamp | 11. Star marking | 20. Spring |
| 2. Switch trigger | 12. Lock-off button | 21. Spool holder |
| 3. Battery cartridge | 13. Shaft | 22. Nylon cord |
| 4. Front grip | 14. Grip | 23. Retainer for nylon cord end |
| 5. Clamping nut | 15. Hex bolt | 24. Spool |
| 6. Lock grip | 16. Screws | 25. Shoulder strap |
| 7. Guard | 17. Cutter cover | 26. Hook |
| 8. Nylon cutting head | 18. Nylon cord eyehole | 27. Motor housing |
| 9. Red indicator | 19. Notch of the nylon cutting head installation port | 28. Lock button |
| 10. Button | | |

SPECIFICATIONS

| Model | DUR141 | | DUR181 | |
|--|-------------------------|-------------------|-------------------------------|-------------------|
| No load speed | 6,000 min ⁻¹ | | 7,800 min ⁻¹ | |
| Overall length | 1,229 mm - 1,433 mm | | 1,229 mm - 1,433 mm | |
| Cutting diameter with nylon cutting head | 260 mm | | 260 mm | |
| Net weight | 2.9 kg | 3.0 kg | 2.9 kg | 3.1 kg |
| Rated voltage | D.C. 14.4 V | | D.C. 18 V | |
| Standard battery cartridge(s) ⚠ Warning: Use only the battery cartridge(s) described. | BL1415 | BL1430/ BL1440 | BL1815/ BL1815N/ BL1820 | BL1830/ BL1840 |

- Due to our continuing program of research and development, the specifications herein are subject to change without notice.
- Specifications and battery cartridge may differ from country to country.
- Weight, with battery cartridge, according to EPTA-Procedure 01/2003

Symbols

END017-3

The following show the symbols used for the equipment. Be sure that you understand their meaning before use.

-  Take particular care and attention.
-  Read instruction manual.
-  Danger; be aware of thrown objects.
-  The distance between the tool and bystanders must be at least 15 m.
-  Keep bystanders away.
-  Keep distance at least 15 m.
-  Avoid kickback.
-  Wear a helmet, goggles and ear protection.
-  Wear protective gloves.



..... Wear sturdy boots with nonslip soles. Steeltoed safety boots are recommended.

..... Do not expose to moisture.

..... Top permissible tool speed.

..... Only for EU countries
Do not dispose of electric equipment or battery pack together with household waste material!

In observance of European Directive 2012/19/EU on waste electric and electronic equipment, 2006/66/EC on batteries and accumulators and waste batteries and accumulators and their implementation in accordance with national laws, electric equipment and battery pack that have reached the end of their life must be collected separately and returned to an environmentally compatible recycling facility.

IMPORTANT SAFETY INSTRUCTIONS

GEB092-4

 **WARNING! Read all safety warnings and all instructions.** Failure to follow the warnings and

instructions may result in electric shock, fire and/or serious injury.

Save all warnings and instructions for future reference.

1. Be familiar with the controls and proper use of the equipment.
2. Cutting elements continue to rotate after the motor is switched off.
3. Never allow children or people unfamiliar with the instructions to use the machine.
4. Stop using the machine while people, especially children, or pets are nearby.
5. Only use the machine in daylight or good artificial light.
6. Before using the machine and after any impact, check for signs of wear or damage and repair as necessary.
7. Take care against injury from any device fitted for trimming the filament line length. After extending new cutter line always return the machine to its normal operating position before switching on.
8. Never fit metal cutting elements.
9. This appliance is not intended for use by persons (including children) with reduced physical, sensory or mental capabilities, or lack of experience and knowledge, unless they have been given supervision or instruction concerning use of the appliance by a person responsible for their safety. Children should be supervised to ensure that they do not play with the appliance.
10. Use the tool with the utmost care and attention.
11. Operate the tool only if you are in good physical condition. Perform all work calmly and carefully. Use common sense and keep in mind that the operator or user is responsible for accidents or hazards occurring to other people or their property.
12. Never operate the tool when tired, feeling ill or under the influence of alcohol or drugs.
13. The tool should be switched off immediately if it shows any signs of unusual operation.

Intended use of the tool

1. Use right tool. The cordless string trimmer is only intended for cutting grass, light weeds. It should not be used for any other purpose such as hedge cutting as this may cause injury.

Personal protective equipment (Fig. 1 & 2)

1. Dress Properly. The clothing worn should be functional and appropriate, i.e. it should be tight-fitting but not cause hindrance. Do not wear either jewelry or clothing which could become entangled with high grass. Wear protective hair covering to contain long hair.
2. When using the tool, always wear sturdy shoes with a non-slip sole. This protects against injuries and ensures a good footing.
3. Wear protective glasses or goggles.

Electrical and battery safety

1. Avoid dangerous environment. Don't use the tool in damp or wet locations or expose it to rain.

Water entering the tool will increase the risk of electric shock.

2. Recharge only with the charger specified by the manufacturer. A charger that is suitable for one type of battery pack may create a risk of fire when used with another battery pack.
3. Use power tools only with specifically designated battery packs. Use of any other battery packs may create a risk of injury and fire.
4. Do not dispose of the battery(ies) in a fire. The cell may explode. Check with local codes for possible special disposal instructions.
5. Do not open or mutilate the battery(ies). Released electrolyte is corrosive and may cause damage to the eyes or skin. It may be toxic if swallowed.

Starting up the tool (Fig. 3)

1. Make sure that there are no children or other people within a working range of 15 meters (50 ft), also pay attention to any animals in the working vicinity. Otherwise stop using the tool.
2. Before use always check that the tool is safe for operation. Check the security of the cutting tool and the guard and the switch trigger/lever for easy and proper action. Check for clean and dry handles and test the on/off function of the switch.
3. Check damaged parts before further use of the tool. A guard or other part that is damaged should be carefully checked to determine that it will operate properly and perform its intended function. Check for alignment of moving parts, binding of moving parts, breakage of parts, mounting, and any other condition that may affect its operation. A guard or other part that is damaged should be properly repaired or replaced by our authorized service center unless indicated elsewhere in this manual.
4. Switch on the motor only when hands and feet are away from the cutting tool.
5. Before starting make sure that the cutting tool has no contact with hard objects such as branches, stones etc. as the cutting tool will revolve when starting.

Method of operation

1. Never operate the machine with damaged guards or without the guards in place.
2. Only use the tool in good light and visibility. During the winter season beware of slippery or wet areas, ice and snow (risk of slipping). Always ensure a safe footing.
3. Take care against injury to feet and hands from the cutting tool.
4. Keep hands and feet away from the cutting means at all times and especially when switching on the motor.
5. Never cut above waist height.
6. Never stand on a ladder and run the tool.
7. Never work on unstable surfaces.
8. Don't overreach. Keep proper footing and balance at all times.
9. Remove sand, stones, nails etc. found within the working range. Foreign particles may damage the cutting tool and can cause to be thrown away, resulting in a serious injury.

10. Should the cutting tool hit stones or other hard objects, immediately switch off the motor and inspect the cutting tool.
11. Before commencing cutting, the cutting tool must have reached full working speed.
12. During operation always hold the tool with both hands. Never hold the tool with one hand during use. Always ensure a safe footing.
13. All protective equipment such as guards supplied with the tool must be used during operation.
14. Except in case of emergency, never drop or cast the tool to the ground or this may severely damage the tool.
15. Never drag the tool on the ground when moving from place to place, the tool may become damaged if moved in this manner.
16. Always remove the battery cartridge from the tool:
 - whenever leaving the tool unattended;
 - before clearing a blockage;
 - before checking, cleaning or working on the tool;
 - before making any adjustments, changing accessories or storing;
 - whenever the tool starts vibrating unusually;
 - whenever transporting the tool.
17. Don't force the tool. It will do the job better and with less likelihood of a risk of injury at the rate for which it was designed.

Maintenance instructions

1. The condition of the cutting tool, protective devices must be checked before commencing work.
2. Turn off the motor and remove the battery cartridge before carrying out maintenance, replacing the cutting tool and cleaning the tool.
3. After use, disconnect the battery cartridge from the tool and check for damage.
4. Check for loose fasteners and damaged parts such as nearly halfway cut-off state in the cutting tool.
5. When not in use store the equipment in a dry location that is locked up or out of children's reach.
6. Use only the manufacturer's recommended replacement parts and accessories.
7. Always ensure that ventilation openings are kept clear of debris.
8. Inspect and maintain the tool regularly, especially before/after use. Have the tool repaired only by our authorized service center.
9. Keep handles dry, clean and free from oil and grease.

SAVE THESE INSTRUCTIONS.

WARNING:

DO NOT let comfort or familiarity with product (gained from repeated use) replace strict adherence to safety rules for the subject product. MISUSE or failure to follow the safety rules stated in this instruction manual may cause serious personal injury.

IMPORTANT SAFETY INSTRUCTIONS

ENC007-7

FOR BATTERY CARTRIDGE

1. Before using battery cartridge, read all instructions and cautionary markings on (1) battery charger, (2) battery, and (3) product using battery.
2. Do not disassemble battery cartridge.
3. If operating time has become excessively shorter, stop operating immediately. It may result in a risk of overheating, possible burns and even an explosion.
4. If electrolyte gets into your eyes, rinse them out with clear water and seek medical attention right away. It may result in loss of your eyesight.
5. Do not short the battery cartridge:
 - (1) Do not touch the terminals with any conductive material.
 - (2) Avoid storing battery cartridge in a container with other metal objects such as nails, coins, etc.
 - (3) Do not expose battery cartridge to water or rain.

A battery short can cause a large current flow, overheating, possible burns and even a breakdown.

6. Do not store the tool and battery cartridge in locations where the temperature may reach or exceed 50°C (122°F).
7. Do not incinerate the battery cartridge even if it is severely damaged or is completely worn out. The battery cartridge can explode in a fire.
8. Be careful not to drop or strike battery.
9. Do not use a damaged battery.

SAVE THESE INSTRUCTIONS.

Tips for maintaining maximum battery life

1. Charge the battery cartridge before completely discharged.
 - Always stop tool operation and charge the battery cartridge when you notice less tool power.
2. Never recharge a fully charged battery cartridge. Overcharging shortens the battery service life.
3. Charge the battery cartridge with room temperature at 10°C - 40°C (50°F - 104°F). Let a hot battery cartridge cool down before charging it.
4. Charge the battery cartridge once in every six months if you do not use it for a long period of time.

PARTS DESCRIPTION (Fig. 4)

FUNCTIONAL DESCRIPTION

WARNING:

- Always be sure that the tool is switched off and battery cartridge is removed before adjusting or checking function on the tool. Failure to switch off and remove the battery cartridge may result in serious personal injury from accidental start-up.

Installing or removing battery cartridge (Fig. 5)

CAUTION:

- Always switch off the tool before installing or removing of the battery cartridge.
- **Hold the tool and the battery cartridge firmly when installing or removing battery cartridge.** Failure to hold the tool and the battery cartridge firmly may cause them to slip off your hands and result in damage to the tool and battery cartridge and a personal injury.

To remove the battery cartridge, slide it from the tool while sliding the button on the front of the cartridge.

To install the battery cartridge, align the tongue on the battery cartridge with the groove in the housing and slip it into place. Insert it all the way until it locks in place with a little click. If you can see the red indicator on the upper side of the button, it is not locked completely.

CAUTION:

- Always install the battery cartridge fully until the red indicator cannot be seen. If not, it may accidentally fall out of the tool, causing injury to you or someone around you.
- Do not install the battery cartridge forcibly. If the cartridge does not slide in easily, it is not being inserted correctly.

Battery protection system (Lithium-ion battery with star marking) (Fig. 6)

Lithium-ion batteries with a star marking are equipped with a protection system. This system automatically cuts off power to the tool to extend battery life.

The tool will automatically stop during operation if the tool and/or battery are placed under one of the following conditions:

| Indication lamp | Status | Action to be taken |
|-------------------------------------|--|---|
| The lamp blinks in red. | This indicates the appropriate time to replace the battery cartridge when the battery power becomes low. | Recharge the battery cartridge as soon as possible. |
| The lamp lights up in red. (Note 1) | This function works when the battery power is almost used up. At this time, tool stops immediately. | Recharge the battery cartridge. |
| The lamp lights up in red. (Note 1) | Autostop due to overload. | Turn off the tool. |

Note 1: The time at which the indication lamp lights up varies by the temperature around the work area and the battery cartridge conditions.

012443

Adjusting the shaft length

WARNING:

- Before adjusting the shaft length, release the switch trigger and remove the battery cartridge from the string trimmer. Failure to release the trigger and removing the battery cartridge may cause a personal injury.

To adjust the length of the shaft, turn the grip counterclockwise until the shaft is unlocked and pull out or push in to the desired length. (Fig. 9)

- Overloaded:

The tool is operated in a manner that causes it to draw an abnormally high current.

In this situation, release the switch trigger on the tool and stop the application that caused the tool to become overloaded. Then pull the switch trigger again to restart.

If the tool does not start, the battery is overheated. In this situation, let the battery cool before pulling the switch trigger again.

- Low battery voltage:

The remaining battery capacity is too low and the tool will not operate. In this situation, remove and recharge the battery.

Power switch action

WARNING:

- **Before inserting the battery cartridge in the tool, always check to see that the switch trigger actuates properly and returns to the "OFF" position when released. Do not pull the switch trigger hard without pressing in the lock-off button. This can cause switch breakage.** Operating a tool with a switch that does not actuate properly can lead to loss of control and serious personal injury.

To prevent the switch trigger from being accidentally pulled, a lock-off button is provided.

To start the tool, move the lock-off button forward and pull the switch trigger. Release the switch trigger to stop.

(Fig. 7)

Indication lamp (Fig. 8)

Running the tool allows the indication lamp to show the battery cartridge capacity status.

When the tool is also overloaded and has stopped during operation, the lamp lights up in red.

Refer to the following table for the status and action to be taken for the indication lamp.

Nylon cutting head

NOTICE:

- The bump feed will not operate properly if the nylon cutting head is not rotating.

The nylon cutting head is a single string trimmer head provided with a bump & feed mechanism.

To cause the nylon cord to feed out, the cutting head should be bumped against the ground while the tool is running. As the nylon cord is feeding out it will

automatically be cut to the proper length by the cutter on the guard. (Fig. 10)

NOTE:

- If the nylon cord does not feed out while bumping the head, rewind/replace the nylon cord by following the procedures described under "Installing or removing the nylon cutting head" and "Winding a new nylon cord on the spool."
- Do not bump the tool to the concrete or asphalt surface. Bumping to this kind of objects may cause the tool damage.

ASSEMBLY

WARNING:

- **Always be sure that the tool is switched off and battery cartridge is removed before carrying out any work on the tool.** Failure to switch off and remove the battery cartridge may result in serious personal injury from accidental start-up.
- **Never start the tool unless it is completely assembled.** Operation of the tool in a partially assembled state may result in serious personal injury from accidental start-up.

Installing the front grip (Fig. 11)

Put the front grip on the front grip holder and secure it with a hex bolt and the clamping nut provided with the string trimmer as shown in the figure. At this time, the hex bolt needs to be installed from the side in which the hex bolt lock port is located and the clamping nut needs to be installed from the opposite side.

NOTE:

- The front grip has a edge-to-edge cut slit in its mounting area. Using this slit allows you to easily install the front grip on the front grip holder.

The front grip angle is adjustable. To adjust the front grip angle, loosen the clamping nut, set the front grip at an proper angle according to your work and then tighten the nut clockwise firmly.

Installing the guard

CAUTION:

- **While installing the guard, be careful not to contact the nylon cord cutter provided on the guard.**

Contact with the cutter could result in personal injury. Mount the guard by fitting it on to the motor housing so that the nylon cord is not pinched between the guard and the motor housing, and then secure it with two screws. Before starting the trimmer, take away the cutter cover from the cord cutter. (Fig. 12)

Installing or removing the nylon cutting head

WARNING:

- **Before installing or removing the nylon cutting head (both spool cover and spool, and hereafter called this way), make sure that the tool is switched off and the battery cartridge is removed from the tool.** Failure to switch off the tool and remove the battery cartridge may cause a personal injury.

CAUTION:

- **While installing or removing the nylon cutting head, be careful not to contact the nylon cord cutter provided on the guard.** Contact with the cutter could result in personal injury.

To remove the nylon cutting head (spool and spool cover) from the string trimmer, press in the latches forcefully on both sides of the spool cover and raise it. (Fig. 13 & 14)

NOTICE:

- Make sure that the spring is installed inside the spool holder.

To install a cord-newly-wound nylon cutting head (spool and spool cover) on the string trimmer, align the nylon cord eyehole with the notch of the nylon cutting head installation port on the trimmer and then press in it until a click is heard. (Fig. 15)

Winding a new nylon cord on the spool

Remove the spool from the spool cover and take off the remaining used nylon cord from the spool. (Fig. 16) Insert a nylon cord to the retainer shown in the figure. (Fig. 17)

Wind it tightly flat around the spool in the direction of arrow on the spool so that the wound nylon cord surface appears uniform over the winding area. (Fig. 18)

Temporarily fix a nylon cord at the notch shown in the figure. (Fig. 19)

Bring the nylon cord through the nylon cord eyehole in the spool cover. (Fig. 20)

After installing the nylon cutting head, make sure that the nylon cord comes out by pressing the spool and pulling the nylon cord. (Fig. 21)

OPERATION

Attachment of shoulder strap (Fig. 22)

Hook the shoulder strap in a hole in the front grip.

Operation

CAUTION:

- **Do not cut high grass at a time.** Cutting high grass at a time near the root may cause the trimmer motor spindle to be entangled by grass which leads to the motor under overload, resulting in damage to the trimmer.

CAUTION:

- **Use the trimmer without getting the spool into a contact with the ground surface.** Using the spool contacting the ground surface may cause the motor under overload resulting in damage to the trimmer. (Fig. 23 & 24)

CAUTION:

- Do not force the trimmer in densely growing grass. (Fig. 25)

CAUTION:

- Do not use the trimmer as if you dig out the ground with it. (Fig. 26)

Cutting the grass near a tree, concrete block, brick or garden stone (Fig. 27)

Hold the trimmer tilting at a level so that it does not contact the ground surface and cut the grass using the nylon cord tip like knocking the ground. In this work, smooth feeding out is needed because the nylon cord wears more quickly than usual.

NOTE:

- Getting the trimmer too close to a tree, concrete block, brick or garden stone or the like during performing the edging work or such similar cutting work may cause the nylon cord to be cut off halfway inside the spool cover. At this time, take the spool out of the spool cover and then set the nylon cord again properly by referring to the section titled "Installing or removing the nylon cutting head" and "Winding a new nylon cord on the spool". Using the tip of the nylon cord during operation brings the best result of operation and therefore it is recommended to keep the tool more than 5 cm away from the tree, concrete block, brick or garden stone or the like.

Start the trimmer before getting close to the grass to be cut.

Cut the grass using the nylon cord tip by moving the trimmer from right to left and proceed slowly, keeping the trimmer tilted at the angle of about 30° in relation to the ground surface.

When cutting high grass, cut in layers always beginning from the top with each cut length short.

Using the tool as an edger

Using the tool as an edger allows the operator to cut along the edge of the concrete block, brick and the like. (Fig. 28) For using the tool as an edger, hold the shaft of the trimmer with one hand and turn the grip counter clockwise to loosen the shaft. Rotate the shaft with the motor housing 180° and tighten the grip clockwise until it locks. (Fig. 29)

NOTE:

- Before rotating the shaft, it needs to be fully shortened or extended.
- After changing to the edger position, make sure that the motor housing and shaft are locked.

To obtain a good result of finish cutting, move parallel to the edge you are going to perform an edging work. (Fig. 30)

Cutting the grass in a tight place or on a slope

⚠ WARNING:

- When cutting the grass on a slope, be careful of stones, grass and other foreign objects thrown from the cutting head area.
- When cutting the grass on a slope, make sure that you always keep a good and stable footing.

To ease the work in a tight place which restricts the height, such as cutting the grass under an outdoor wood deck and similars, push the lock button and then bend down the cutting head so that the shaft is parallel to the ground surface. Adjusting the cutting head angle properly in this way helps you cut the grass on a slope. (Fig. 31)

MAINTENANCE

⚠ WARNING:

- Always be sure that the tool is switched off and battery cartridge is removed before attempting to perform inspection or maintenance on the tool. Failure to switch off and remove the battery cartridge may result in serious personal injury from accidental start-up.

NOTICE:

Never use gasoline, benzene, thinner, alcohol or the like. Discoloration, deformation or cracks may result. To maintain product SAFETY and RELIABILITY, repairs, any other maintenance or adjustment should be performed by Makita Authorized Service Centers, always using Makita replacement parts.

OPTIONAL ACCESSORIES

⚠ CAUTION:

- These accessories or attachments are recommended for use with your Makita tool specified in this manual. The use of any other accessories or attachments might present a risk of injury to persons. Only use accessory or attachment for its stated purpose.

If you need any assistance for more details regarding these accessories, ask your local Makita Service Center.

- Nylon cutting head
- Nylon cords
- Shoulder strap
- Goggles
- Various type of Makita genuine batteries and chargers

NOTE:

- Some items in the list may be included in the tool package as standard accessories. They may differ from country to country.

Noise

ENG905-1

The typical A-weighted noise level determined according to EN786:

Model DUR141

Sound pressure level (L_{pA}): 75 dB (A)

Sound power level (L_{WA}): 83.7 dB (A)

Uncertainty (K): 2.5 dB (A)

Model DUR181

Sound pressure level (L_{pA}): 82 dB (A)

Sound power level (L_{WA}): 88.5 dB (A)

Uncertainty (K): 2.5 dB (A)

Wear ear protection.

Vibration

ENG904-2

The vibration total value determined according to EN786:

Vibration emission (a_{hv}): 2.5 m/s² or less

Uncertainty (K): 1.5 m/s²

ENG901-1

- The declared vibration emission value has been measured in accordance with the standard test method and may be used for comparing one tool with another.
- The declared vibration emission value may also be used in a preliminary assessment of exposure.

⚠ WARNING:

- The vibration emission during actual use of the power tool can differ from the declared emission value depending on the ways in which the tool is used.
- Be sure to identify safety measures to protect the operator that are based on an estimation of exposure in the actual conditions of use (taking account of all parts of the operating cycle such as the times when the tool is switched off and when it is running idle in addition to the trigger time).

For European countries only

ENH219-2

EC Declaration of Conformity

We Makita Corporation as the responsible manufacturer declare that the following Makita machine(s):

Designation of Machine:

Cordless String Trimmer

Model No./ Type: DUR141, DUR181

Specifications: see "SPECIFICATIONS" table.

are of series production and

Conforms to the following European Directives:

2000/14/EC, 2006/42/EC

And are manufactured in accordance with the following standards or standardised documents:

EN60745, EN60335

The technical documentation is kept by:

Makita International Europe Ltd.

Technical Department,

Michigan Drive, Tongwell,

Milton Keynes, Bucks MK15 8JD, England

The conformity assessment procedure required by Directive 2000/14/EC was in Accordance with annex VI.

Notified Body:

TÜV Rheinland LGA Products GmbH

Tillystraße 2

90431 Nürnberg, Germany

Identification number 0197

Model DUR141

Measured Sound Power Level: 83.7 dB (A)

Guaranteed Sound Power Level: 85 dB (A)

Model DUR181

Measured Sound Power Level: 88.5 dB (A)

Guaranteed Sound Power Level: 91 dB (A)

23.9.2011



Tomoyasu Kato

Director

Makita Corporation

3-11-8, Sumiyoshi-cho,

Anjo, Aichi, 446-8502, JAPAN

NEDERLANDS (Originele instructies)

Verklaring van het onderdelenoverzicht

- | | | |
|-----------------------|--|------------------------|
| 1. Bedrijfslampje | 11. Ster-merkteken | 20. Veer |
| 2. Aan/uit-schakelaar | 12. Uit-vergrendelknop | 21. Spoelhouder |
| 3. Accu | 13. Schacht | 22. Nyldraad |
| 4. Voorhandgreep | 14. Vergrendelring | 23. Klem voor nyldraad |
| 5. Klemmoer | 15. Zeskantbout | 24. Draadspoel |
| 6. Vergrendelring | 16. Schroeven | 25. Schouderriem |
| 7. Beschermkap | 17. Meskapje | 26. Haak |
| 8. Nyldraad-snijkop | 18. Nyldraadopening | 27. Motorhuis |
| 9. Rode deel | 19. Uitsparing voor het uitsteeksel op de nyldraad-snijkop | 28. Vergrendelknop |
| 10. Knop | | |

TECHNISCHE GEGEVENS

| Model | DUR141 | | DUR181 | |
|---|-------------------------|-------------------|-------------------------------|-------------------|
| Onbelast toerental | 6.000 min ⁻¹ | | 7.800 min ⁻¹ | |
| Totale lengte | 1.229 mm - 1.433 mm | | 1.229 mm - 1.433 mm | |
| Maaidiameter met nyldraad-snijkop | 260 mm | | 260 mm | |
| Nettogewicht | 2,9 kg | 3,0 kg | 2,9 kg | 3,1 kg |
| Nominale spanning | 14,4 volt gelijkstroom | | 18 volt gelijkstroom | |
| Standaardaccu(s) ⚠ Waarschuwing: Gebruik uitsluitend de aangegeven accu('s). | BL1415 | BL1430/ BL1440 | BL1815/ BL1815N/ BL1820 | BL1830/ BL1840 |

- Als gevolg van ons doorlopende onderzoeks- en ontwikkelingsprogramma, zijn de technische gegevens van dit gereedschap onderhevig aan veranderingen zonder voorafgaande kennisgeving.
- Specificaties en accu's kunnen van land tot land verschillen.
- Gewicht, inclusief de accu, volgens de EPTA-procedure 01/2003

Symbolen

END017-3

Hieronder staan de symbolen die voor het gereedschap worden gebruikt. Zorg ervoor dat u weet wat ze betekenen alvorens de accu te gebruiken.



..... Draag stevige schoenen met antislipzolen. Veiligheidsschoenen met stalen neuzen worden aanbevolen.



..... Stel het gereedschap niet bloot aan vocht.



..... Toegestaan maximumtoerental.



..... Alleen voor EU-landen
Geef elektrisch gereedschap en accu's niet met het huisvuil mee!
Volgens de Europese richtlijn 2012/19/ EU inzake oude elektrische en elektronische apparaten, 2006/66/EC inzake batterijen en accu's en de toepassing daarvan binnen de nationale wetgeving, dienen gebruikt elektrisch gereedschap en accu's gescheiden te worden ingezameld en te worden afgevoerd naar een recyclebedrijf dat voldoet aan de geldende milieu-eisen.



..... Besteed bijzondere zorg en aandacht!



..... Lees de gebruiksaanwijzing.



..... Gevaar: wees bedacht op opgeworpen voorwerpen.



..... De afstand tussen het gereedschap en omstanders moet minstens 15 meter te zijn.



..... Houd omstanders uit de buurt.



..... Blijf minstens 15 meter uit de buurt.



..... Voorkom terugslag.



..... Draag een veiligheidshelm, veiligheidsbril en gehoorbescherming.



..... Draag veiligheidshandschoenen.

BELANGRIJKE VEILIGHEIDSINSTRUCTIES

GEB092-4

⚠ WAARSCHUWING! Lees alle veiligheids waarschuwingen en alle instructies. Het

niet volgen van de waarschuwingen en instructies kan leiden tot elektrische schokken, brand en/of ernstig letsel.

Bewaar alle waarschuwingen en instructies om in de toekomst te kunnen raadplegen.

1. Zorg dat u vertrouwd bent met de bedieningselementen en het juiste gebruik van het gereedschap.
2. Na het uitschakelen van de motor blijft het snijgarnituur nog even ronddraaien.
3. Laat in geen geval het gereedschap gebruiken door kinderen of personen die niet bekend zijn met de instructies.
4. Onderbreek het gebruik van het gereedschap wanneer andere personen, met name kinderen, of huisdieren in de buurt komen.
5. Gebruik het gereedschap alleen bij daglicht of voldoende kunstlicht.
6. Vóór gebruik van het gereedschap en na iedere botsing, controleert u op tekenen van slijtage of beschadiging, en repareert u het gereedschap zo nodig.
7. Wees voorzichtig dat u geen letsel oploopt door het mesje voor het op lengte afsnijden van de nylondraad. Nadat u de nylondraad hebt uitgetrokken, zet u het gereedschap altijd eerst terug rechtop voordat u hem inschakelt.
8. Monteer nooit een metalen snijgarnituur.
9. Dit gereedschap is niet geschikt voor gebruik door personen (waaronder kinderen) met een verminderd lichamelijk, zintuiglijk of geestelijk vermogen, of gebrek aan kennis en ervaring, behalve indien zij instructies hebben gehad en onder toezicht staan van een persoon die verantwoordelijk is voor hun veiligheid. Kinderen dienen onder toezicht te staan om ervoor te zorgen dat zij niet met het gereedschap spelen.
10. Gebruik het gereedschap met de hoogstmogelijke zorg en aandacht.
11. Gebruik het gereedschap alleen als u in goede lichamelijke conditie bent. Werk altijd rustig en voorzichtig. Gebruik uw gezond verstand en denk eraan dat de gebruiker van het gereedschap verantwoordelijk is voor ongelukken en gevaren die personen of hun eigendommen kunnen overkomen.
12. Bedien het gereedschap nooit wanneer u vermoeid bent, zich ziek voelt, of onder invloed bent van alcohol of drugs.
13. Het gereedschap moet onmiddellijk uitgeschakeld worden als tekenen van een ongebruikelijke werking merkbaar zijn.

Bedoeld gebruik van het gereedschap

1. Gebruik het juiste gereedschap. De accugraskantmaaier is uitsluitend bedoeld voor het maaien van gras en kleine onkruiden. Het mag niet worden gebruikt voor enig ander doel, zoals heggen snoeien, aangezien dit tot letsel kan leiden.

Persoonlijke-veiligheidsuitrusting (zie afb. 1 en 2)

1. Draag geschikte kleding. De te dragen kleding dient functioneel en geschikt te zijn, d.w.z. nauwsluitend zonder te hinderen. Draag geen juwelen of kleding die verstrikt kunnen raken in hoog gras. Draag een haarbedekking om lang haar uit de weg te houden.
2. Draag altijd stevige schoenen met een antislipzool wanneer u het gereedschap gebruikt. Dit beschermt u tegen letsel en garandeert dat u stevig staat.
3. Draag een veiligheidsbril of een spatscherm.

Elektrische veiligheid en accu

1. Vermijd gevaarlijke omgevingen. Gebruik het gereedschap niet op vochtige of natte plaatsen en stel het niet bloot aan regen. Als water binnendringt in het gereedschap, wordt de kans op een elektrische schok groter.
2. Laad alleen op met de acculader aanbevolen door de fabrikant. Een acculader die geschikt is voor een bepaald type accu, kan brandgevaar opleveren indien gebruikt met een ander type accu.
3. Gebruik het gereedschap uitsluitend met de daarvoor bestemde accu. Als u een andere accu erin gebruikt, kan dit leiden tot persoonlijk letsel of brand.
4. Werp de accu niet in een vuur. De accu kan exploderen. Raadpleeg de lokale regelgeving voor mogelijke speciale verwerkingsvereisten.
5. Open of vervorm de accu niet. Het elektrolyt is agressief en kan letsel toebrengen aan de ogen en huid. Het kan giftig zijn bij inslikken.

Het gereedschap inschakelen (zie afb. 3)

1. Controleer of er geen kinderen of andere mensen aanwezig zijn binnen een werkbereik van 15 meter en let ook op of er geen dieren in de werkomgeving zijn. Als dat het geval is, stopt u met het gebruik van het gereedschap.
2. Controleer voor gebruik altijd of het gereedschap veilig is om te gebruiken. Controleer de veiligheid van het snijgarnituur en de beschermkap, en controleer of de aan/uit-schakelaar goed werkt en gemakkelijk kan worden bediend. Controleer of de handgrepen schoon en droog zijn en test de werking van de aan/uit-schakelaar.
3. Controleer op beschadigde onderdelen voordat u het gereedschap verder gebruikt. Een beschermkap of ander onderdeel day beschadigd is, moet nauwkeurig worden onderzocht om te beoordelen of het goed werkt en zijn beoogde functie kan uitvoeren. Controleer of bewegende delen goed uitgelijnd zijn en niet vastgelopen zijn, of onderdelen niet kapot zijn en stevig gemonteerd zijn, en enige andere situatie die van invloed kan zijn op de werking van het gereedschap. Een beschermkap of ander onderdeel dat beschadigd is, dient vakkundig te worden gerepareerd of vervangen door een erkend servicecentrum, behalve indien anders aangegeven in deze gebruiksaanwijzing.

4. Schakel de motor alleen in wanneer de handen en voeten uit de buurt van het snijgarnituur zijn.
5. Controleer vóór het starten of het snijgarnituur geen contact maakt met harde voorwerpen, zoals takken, stenen, enz., omdat tijdens het starten het snijgarnituur zal rondraaien.

Gebbruiksmethode

1. Gebruik het gereedschap nooit met beschadigde beschermkappen of zonder aangebrachte beschermkappen.
2. Gebruik het gereedschap alleen bij goed licht en zicht. Wees in de winter bedacht op gladde of natte plaatsen, ijs en sneeuw (gevaar voor uitglijden). Zorg er altijd voor dat u stevig staat.
3. Wees voorzichtig uw handen en voeten niet te verwonden aan het snijgarnituur.
4. Houd altijd handen en voeten uit de buurt van het snijgarnituur, met name bij het inschakelen van de motor.
5. Maai nooit boven heuphoogte.
6. Sta nooit op een ladder met draaiend gereedschap.
7. Werk nooit op onstabiele oppervlakken.
8. Reik niet te ver. Zorg altijd voor een stevige stand en goede lichaamsbalans.
9. Verwijder zand, stenen, nagels, enz. die u binnen uw werkbereik vindt. Vreemde voorwerpen kunnen het snijgarnituur beschadigen en opgeworpen worden waardoor ernstig persoonlijk letsel kan worden veroorzaakt.
10. Als het snijgarnituur stenen of andere harde voorwerpen raakt, moet u de motor onmiddellijk uitschakelen en het snijgarnituur controleren.
11. Voordat u begint te maaien, moet het snijgarnituur op maximaal toerental draaien.
12. Houd tijdens gebruik het gereedschap altijd met twee handen vast. Houd het gereedschap tijdens het gebruik nooit met slechts één hand vast. Zorg er altijd voor dat u stevig staat.
13. De volledige veiligheidsuitrusting, zoals een beschermkap die bij het gereedschap wordt geleverd, moeten tijdens het werk worden gebruikt.
14. Behalve in noodgevallen mag u het gereedschap nooit op de grond laten vallen of weggoien omdat hierdoor het gereedschap zwaar beschadigd kan raken.
15. Sleep het gereedschap nooit over de grond wanneer u het wilt verplaatsen omdat hierdoor het gereedschap kan worden beschadigd.
16. Verwijder altijd de accu uit het gereedschap:
 - iedere keer als u het gereedschap onbeheerd achterlaat;
 - voordat u een verstopping opheft;
 - voordat u het gereedschap controleert, reinigt of er werkzaamheden aan gaat verrichten;
 - voordat u enige afstelling maakt, een accessoire vervangt of het gereedschap opbergt;
 - als het gereedschap op ongebruikelijke manier begint te trillen;
 - wanneer u het gereedschap gaat vervoeren.

17. Forceer het gereedschap niet. Het gereedschap werkt beter en met een kleinere kans op letsel op de manier waarvoor het is ontworpen.

Onderhoudsinstructies

1. De toestand van het snijgarnituur, de veiligheidsuitrusting moet worden gecontroleerd voor aanvang van de werkzaamheden.
2. Schakel de motor uit en verwijder de accu voordat u onderhoudswerkzaamheden uitvoert, het snijgarnituur vervangt, of het gereedschap schoonmaakt.
3. Verwijder na gebruik de accu van het gereedschap en controleer op beschadigingen.
4. Controleer op loszittende bevestigingen en beschadigde onderdelen, zoals bijna half-doorgescheurd in het snijgarnituur.
5. Wanneer het gereedschap niet wordt gebruikt, bergt u het op een droge plaats die op slot kan of buiten bereik van kinderen ligt.
6. Gebruik uitsluitend de door de fabrikant aanbevolen vervangingsonderdelen en accessoires.
7. Zorg ervoor dat de ventilatieopeningen altijd vrij zijn van vuil.
8. Inspecteer en onderhoud het gereedschap regelmatig, met name vóór en na gebruik. Laat het gereedschap alleen repareren door een erkend servicecentrum.
9. Houd de handgrepen droog, schoon en vrij van olie en vetten.

BEWAAR DEZE INSTRUCTIES.



WAARSCHUWING:

Laat u NIET misleiden door een vals gevoel van comfort en bekendheid met het gereedschap (na veelvuldig gebruik) en neem alle veiligheidsvoorschriften van het betreffende product altijd strikt in acht. VERKEERD GEBRUIK of het niet volgen van de veiligheidsinstructies in deze gebruiksaanwijzing kan leiden tot ernstig persoonlijk letsel.

BELANGRIJKE VEILIGHEIDSINSTRUCTIES ENC007-7

VOOR ACCU'S

1. Alvorens de accu in gebruik te nemen, leest u eerst alle instructies en waarschuwingsopdrachten op (1) de acculader, (2) de accu en (3) het apparaat waarin de accu wordt aangebracht.
2. Haal de accu niet uit elkaar.
3. Als de gebruikstijd aanzienlijk korter is geworden, stopt u onmiddellijk met het gebruik. Anders kan dit leiden tot kans op oververhitting, mogelijke brandwonden en zelfs een explosie.
4. Als de elektrolyt in uw ogen komt, wast u deze uit met schoon water en raadpleegt u onmiddellijk een arts. Dit kan leiden tot verlies van gezichtsvermogen.
5. Sluit de accu niet kort:

- (1) Raak de accupolen niet aan met enig geleidend materiaal.
 - (2) Bewaar de accu niet op een plaats waar deze in aanraking kan komen met andere metalen voorwerpen, zoals spijkers, munten, enz.
 - (3) Stel de accu niet bloot aan water of regen. Kortsluiting van de accu kan leiden tot een hoge stroomsterkte, oververhitting, mogelijke brandwonden en zelfs een defect.
6. Bewaar het gereedschap en de accu niet op plaatsen waar de temperatuur kan oplopen tot 50 °C of hoger.
 7. Werp de accu niet in een vuur, zelfs niet als deze al ernstig beschadigd of helemaal versleten is. De accu kan in een vuur exploderen.
 8. Wees voorzichtig dat u de accu niet laat vallen of ergens tegenaan stoot.
 9. Gebruik nooit een beschadigde accu.

BEWAAR DEZE INSTRUCTIES.

Tips voor een lange levensduur van de accu

1. Laad de accu op voordat deze volledig leeg is. Wanneer u merkt dat het gereedschap minder vermogen heeft, stopt u met het gebruik ervan en laadt u eerst de accu op.
2. Laad nooit een volledig opgeladen accu op. Te lang opladen verkort de levensduur van de accu.
3. Laad de accu op bij een omgevingstemperatuur van 10 °C tot 40 °C. Laat een warme accu eerst afkoelen voordat u deze oplaadt.
4. Laad de accu ieder half jaar op als u deze gedurende een lange tijd niet gebruikt.

BESCHRIJVING VAN DE ONDERDELEN (zie afb. 4)

BESCHRIJVING VAN DE FUNCTIES

⚠ WAARSCHUWING:

- Zorg ervoor dat het gereedschap is uitgeschakeld en dat de accu is verwijderd voordat u de werking van het gereedschap aanpast of controleert. Als het gereedschap niet wordt uitgeschakeld en de accu niet uit het gereedschap wordt verwijderd, kan dat na per ongeluk inschakelen leiden tot ernstig persoonlijk letsel.

De accu aanbrengen en verwijderen (zie afb. 5)

⚠ LET OP:

- Schakel het gereedschap altijd uit voordat u de accu aanbrengt of verwijderd.
- Houd het gereedschap en de accu stevig vast tijdens het aanbrengen of verwijderen van de accu. Als u het gereedschap en de accu niet stevig vasthoudt, kunnen deze uit uw handen glijpen en beschadigd raken, of kan persoonlijk letsel worden veroorzaakt.

Om de accu te verwijderen verschuift u de knop aan de voorkant van de accu en schuift u tegelijkertijd de accu van het gereedschap af.

Om de accu aan te brengen, lijnt u de lip op de accu uit met de groef in de behuizing en duwt u de accu op zijn plaats. Steek de accu zo ver mogelijk erin tot u een klinkgeluid hoort. Als u het rode deel aan de bovenkant van de knop kunt zien, is de accu niet goed aangebracht.

⚠ LET OP:

- Breng de accu altijd helemaal aan totdat het rode deel niet meer zichtbaar is. Als u dit niet doet, kan de accu per ongeluk uit het gereedschap vallen en u of anderen in uw omgeving verwonden.
- Breng de accu niet met kracht aan. Als de accu niet gemakkelijk erin kan worden geschoven, wordt deze niet goed aangebracht.

Accubeveiligingssysteem (lithiumionaccu met een ster-merkteken) (zie afb. 6)

Lithiumionaccu's met een ster-merkteken zijn uitgerust met een beveiligingssysteem. Dit systeem schakelt automatisch de voeding naar het gereedschap uit om de levensduur van de accu te verlengen.

Het gereedschap zal tijdens gebruik automatisch stoppen wanneer het gereedschap en/of de accu zich in een van de volgende omstandigheden bevinden:

- Overbelasting:

Het gereedschap wordt gebruikt op een manier die ertoe leidt dat een abnormaal hoge stroomsterkte uit de accu wordt getrokken.

Laat in die situatie de aan/uit-schakelaar van het gereedschap los en stop het gebruik dat ertoe leidde dat het gereedschap overbelast werd. Knijp daarna opnieuw de aan/uit-schakelaar in om het gereedschap weer in te schakelen.

Als het gereedschap niet wordt ingeschakeld, is de accu oververhit. In die situatie laat u de accu eerst afkoelen voordat u opnieuw de aan/uit-schakelaar inknijpt.

- Lage accuspanning:

De resterende acculading is te laag en het gereedschap wordt niet ingeschakeld. Verwijder in die situatie de accu en laad hem op.

In- en uitschakelen

⚠ WAARSCHUWING:

- Controleer altijd, voordat u de accu in het gereedschap steekt, of de aan/uit-schakelaar op de juiste manier schakelt en weer terugkeert naar de uit-stand nadat deze is losgelaten. Knijp de aan/uit-schakelaar niet hard in zonder de uit-vergrendelknop te bedienen. Hierdoor kan de aan/uit-schakelaar stuk gaan. Het gebruik van gereedschap met een schakelaar die niet goed werkt, kan leiden tot verlies van controle en ernstige verwondingen.

Om te voorkomen dat de aan/uit-schakelaar per ongeluk wordt bediend, is een uit-vergrendelknop aangebracht.

Om het gereedschap te starten, schuift u de uit-vergrendelknop naar voren en knijpt u de aan/uit-schakelaar in. Laat de aan/uit-schakelaar los om het gereedschap te stoppen (zie afb. 7).

Bedrijfslampje (zie afb. 8)

Tijdens gebruik van het gereedschap geeft het bedrijfslampje de toestand van de acculading aan. In het geval het gereedschap overbelast is en tijdens gebruik is gestopt, brandt het bedrijfslampje rood.

Raadpleeg onderstaande tabel voor de toestand van de accu en het gereedschap, alsmede de te nemen maatregelen voor iedere status van het bedrijfslampje.

| Bedrijfslampje | Toestand van accu/gereedschap | Te nemen maatregelen |
|---|---|--------------------------------------|
| Het bedrijfslampje knippert rood. | Dit geeft het juiste tijdstip aan om de accu te vervangen wanneer de accu bijna leeg is. | Laad de accu zo spoedig mogelijk op. |
| Het bedrijfslampje brandt rood. (Opmerking 1) | Deze functie treedt in werking wanneer de acculading bijna opgebruikt is. Op dat moment stopt het gereedschap onmiddellijk. | Laad de accu op. |
| Het bedrijfslampje brandt rood. (Opmerking 1) | Het gereedschap stopt automatisch als gevolg van overbelasting. | Schakel het gereedschap uit. |

Opmerking 1: Het moment waarop het bedrijfslampje gaat branden varieert met de temperatuur in het werkgebied en de toestand van de accu.

012443

De schachtlengte afstellen

WAARSCHUWING:

- Laat voordat u de schachtlengte afstelt eerst de aan/uit-schakelaar los en verwijder de accu vanaf de graskantmaaier. Als u de aan/uit-schakelaar niet loslaat en de accu niet verwijdert, kan persoonlijk letsel worden veroorzaakt.

Om de lengte van de schacht af te stellen, draait u de vergrendeling linksom tot de as is ontgrendeld en trekt u de schacht uit of duwt u hem in tot de gewenste lengte (zie afb. 9).

Nylondraad-snijkop

KENNISGEVING:

- Het aanvoeren van nylondraad zal niet goed werken wanneer de nylondraad-snijkop niet draait.

De nylondraad-snijkop is een enkele-draadkop uitgerust met een stoot-aanvoermecanisme.

Om ervoor te zorgen dat de nylondraad aangevoerd wordt, moet de snijkop op de grond gestoten worden terwijl het gereedschap is ingeschakeld. Terwijl de nylondraad uit de snijkop komt wordt hij automatisch afgesneden op de juiste lengte door de mesjes in de beschermkap (zie afb. 10).

OPMERKING:

- Als de nylondraad niet automatisch wordt aangevoerd wanneer de snijkop op de grond wordt gestoten, volgt u de procedures die zijn beschreven onder "De nylondraad-snijkop aanbrengen of verwijderen" en "Een nieuwe nylondraad op de spoel wikkelen" om de nylondraad opnieuw op te wikkelen of te vervangen.
- Stoot het gereedschap niet tegen een betonnen of asfalt ondergrond. Als u tegen dergelijke ondergronden stoot, kan het gereedschap worden beschadigd.

DE ONDERDELEN MONTEREN

WAARSCHUWING:

- **Controleer altijd of het gereedschap is uitgeschakeld en de accu is verwijderd alvorens enige werkzaamheden aan het gereedschap te**

verrichten. Als het gereedschap niet wordt uitgeschakeld en de accu niet uit het gereedschap wordt verwijderd, kan dat na per ongeluk inschakelen leiden tot ernstig persoonlijk letsel.

- **Start het gereedschap nooit voordat het op de juiste wijze is gemonteerd.** Door het gereedschap in een gedeeltelijk gemonteerde toestand te laten werken, kan dat na per ongeluk inschakelen leiden tot ernstig persoonlijk letsel.

De voorhandgreep aanbrengen (zie afb. 11)

Plaats de voorhandgreep op de voorhandgreephouder en zet hem vast met een zeskantbout en de klemmoer die bij de graskantmaaier werden geleverd, zoals aangegeven in de afbeelding. Op dit moment moet de zeskantbout worden aangebracht vanaf de zijkant waar zich het boutkopvergrendelhuis bevindt, en moet de klemmoer worden aangebracht vanaf de tegenoverliggende zijkant.

OPMERKING:

- In het montagegebied van de voorhandgreep zit een sleuf van rand tot rand. Door deze sleuf kunt u gemakkelijk de voorhandgreep aanbrengen op de voorhandgreephouder.

De hoek van de voorhandgreep is verstelbaar. Om de hoek van de voorhandgreep te verstellen, draait u de klemmoer linksom los, plaatst u de voorhandgreep onder de gewenste hoek overeenkomstig uw werkzaamheden en draait u de klemmoer weer rechtsom vast.

De beschermkap aanbrengen

LET OP:

- **Wees tijdens het aanbrengen van de beschermkap voorzichtig het mesje voor het afsnijden van de nylondraad aan de binnenkant van de beschermkap niet aan te raken.** Aanraking van het mesje kan leiden tot persoonlijk letsel.

Breng de beschermkap aan door hem zodanig op het motorhuis te plaatsen dat de nylondraad niet bekneld zit tussen de beschermkap en het motorhuis, en zet hem vervolgens vast met behulp van de twee schroeven. Voordat u de graskantmaaier start, haalt u het meskapje van het mesje af (zie afb. 12).

De nylondraad-snijkop aanbrengen of verwijderen

⚠ WAARSCHUWING:

- Voordat u de nylondraad-snijkop (d.w.z. het spoeldekseel en de spoel) aanbrengt of verwijdt, controleert u of het gereedschap is uitgeschakeld en de accu van het gereedschap is verwijderd. Als het gereedschap niet wordt uitgeschakeld en de accu niet uit het gereedschap wordt verwijderd, kan dat leiden tot persoonlijk letsel.

⚠ LET OP:

- Bij het aanbrengen of verwijderen van de nylondraad-snijkop, let u erop niet het mesje in de beschermkap aan te raken. Aanraking van het mesje kan leiden tot persoonlijk letsel.

Om de nylondraad-snijkop (de spoel en het spoeldekseel) vanaf de graskantmaaier te verwijderen, duwt u met kracht de vergrendelknoppen aan beide zijanten van het spoeldekseel naar binnen en tilt u het spoeldekseel eraf (zie afb. 13 en 14).

KENNISGEVING:

- Zorg ervoor dat de veer is aangebracht in het spoelhouder.

Om een nylondraad-snijkop (de spoel en het spoeldekseel) met een nieuw gewikkelde nylondraad aan te brengen op de graskantmaaier, lijnt u de nylondraadopening uit met de uitsparing voor het uitsteeksel op de nylondraad-snijkop en drukt u hem erin tot een klik wordt gehoord (zie afb. 15).

Een nieuwe nylondraad op de spoel wikkelen

Verwijder de spoel vanaf het spoeldekseel en haal de resterende nylondraad van de spoel af (zie afb. 16). Steek een nylondraad in de klem, zoals aangegeven in de afbeelding (zie afb. 17).

Wikkel hem strak en vlak rond de spoel in de richting van de pijl op de spoel, zodat het oppervlak van de gewikkelde nylondraad uniform is over het hele wikkelloppervlak (zie afb. 18).

Zet de nylondraad tijdelijk vast in de inkeping aangegeven in de afbeelding (zie afb. 19).

Steek het uiteinde van de nylondraad door de nylondraadopening in het spoeldekseel (zie afb. 20).

Nadat de nylondraad-snijkop weer is aangebracht op de graskantmaaier, controleert u of de nylondraad wordt aangevoerd door op de spoel te duwen en aan de nylondraad te trekken (zie afb. 21).

BEDRIJF

De schouderriem bevestigen (zie afb. 22)

Haak de schouderriem in een gat in de voorhandgreep.

Bediening

⚠ LET OP:

- **Maai lang gras niet in één keer.** Als u lang gras in één keer vlak boven de wortels maait, kan het lange gras zich rond de as van de motor van de graskantmaaier wikkelen waardoor de motor

overbelast wordt en de graskantmaaier wordt beschadigd.

⚠ LET OP:

- **Zorg ervoor dat tijdens gebruik de spoel van de graskantmaaier niet de grond raakt.** Als de spoel de grond raakt, kan de motor overbelast worden en de graskantmaaier worden beschadigd (zie afb. 23 en 24).

⚠ LET OP:

- Duw de graskantmaaier niet het dichtbegroeide gras in (zie afb. 25).

⚠ LET OP:

- Zorg ervoor dat de graskantmaaier niet de grond in maait (zie afb. 26).

Gras maaien naast een boom, betonblok, tuinmuur, siersteen of dergelijke (zie afb. 27)

Houd de graskantmaaier schuin zonder dat hij de grond raakt en maai het gras met de punt van de nylondraad die de grond raakt. Bij deze werkzaamheden is een soepele aanvoer van de nylondraad belangrijk omdat de nylondraad sneller slijt dan gebruikelijk.

OPMERKING:

- Als de graskantmaaier te dicht bij een boom, betonblok, tuinmuur, siersteen of dergelijke komt tijdens het maaien van grasranden of soortgelijke werkzaamheden, kan de nylondraad halverwege binnenin het spoeldekseel worden afgesneden. Als dat gebeurt verwijdt u de spoel uit het spoeldekseel en plaatst u de nylondraad opnieuw volgens de beschrijvingen onder "De nylondraad-snijkop aanbrengen of verwijderen" en "Een nieuwe nylondraad op de spoel wikkelen". Als u tijdens gebruik met de punt van de nylondraad maait, krijgt u de beste resultaten en daarom wordt het aangeraden om het gereedschap meer dan 5 cm verwijderd te houden van een boom, betonblok, tuinmuur, siersteen en dergelijke.

Schakel de graskantmaaier in voordat deze het te maaien gras raakt.

Maai het gras met de punt van de nylondraad door de graskantmaaier van rechts naar links te bewegen en langzaam vooruit te gaan, waarbij u de graskantmaaier onder een hoek van 30° ten opzichte van de grond houdt. Maai hoog gras in lagen en begin altijd bovenaan en werk stapsgewijs omlaag.

Het gereedschap gebruiken als een grasschaar

Door het gereedschap als een grasschaar te gebruiken kunt u langs de randen van een betonblok, stenen en dergelijke maaien (zie afb. 28).

Om het gereedschap als een grasschaar te gebruiken, houdt u de schacht van de graskantmaaier met één hand vast en draait u de vergrendeling linksom om de schacht te ontgrendelen. Draai de schacht met het motorhuis 180° en draai daarna de vergrendeling rechtsom vast tot hij de schacht vergrendelt (zie afb. 29).

OPMERKING:

- Voordat u de schacht draait moet u hem helemaal inschuiven of uitschuiven.
- Nadat u het gereedschap in de grasschaar-stand hebt gezet, let u erop dat de schacht met het motorhuis goed zijn vergrendeld.

Voor een goed afwerkresultaat beweegt u de snijkop parallel aan de rand waarlangs u wilt maaien (zie afb. 30).

Gras maaien in een krappe ruimte of op een helling

WAARSCHUWING:

- Let bij het maaien van gras op een helling goed op stenen, gras en andere vreemde voorwerpen die door de snijkop worden opgeworpen.
- Zorg ervoor dat u bij het maaien van gras op een helling altijd stevig en stabiel staat.

Om gemakkelijker te kunnen werken in een krappe ruimte met een beperkte hoogte, zoals bij het maaien van gras onder het dek van een veranda of iets dergelijks, drukt u de vergrendelknop in en kantelt u de snijkop omlaag zodat de schacht parallel aan de grond is. Door de hoek van de snijkop op deze manier goed af te stellen, kunt u gemakkelijker het gras op een helling maaien (zie afb. 31).

ONDERHOUD

WAARSCHUWING:

- **Zorg er altijd voor dat het gereedschap is uitgeschakeld en de accu is verwijderd, voordat u een inspectie of onderhoud aan het gereedschap uitvoert.** Als het gereedschap niet wordt uitgeschakeld en de accu niet uit het gereedschap wordt verwijderd, kan dat na per ongeluk inschakelen leiden tot ernstig persoonlijk letsel.

KENNISGEVING:

Gebruik nooit benzine, wasbenzine, thinner, alcohol, enz. Dit kan leiden tot verkleuren, vervormen of barsten.

Om de VEILIGHEID en BETROUWBAARHEID van het gereedschap te handhaven, dienen alle reparaties, onderhoud en afstellingen te worden uitgevoerd door een erkend Makita-servicecentrum, en altijd met gebruikmaking van originele Makita-ervangingsonderdelen.

VERKRIJGBARE ACCESSOIRES

LET OP:

- Deze accessoires of hulpstukken worden aanbevolen voor gebruik met het Makita-gereedschap dat in deze gebruiksaanwijzing wordt beschreven. Het gebruik van andere accessoires of hulpstukken kan gevaar voor persoonlijk letsel opleveren. Gebruik de accessoires of hulpstukken uitsluitend voor de aangegeven gebruiksdoeleinden.

Mocht u meer informatie willen hebben over deze accessoires, dan kunt u contact opnemen met uw plaatselijke Makita-servicecentrum.

- Nylondraad-snikkop
- Nylondraad
- Schouderriem

- Veiligheidsbril
- Diverse types originele Makita-accu's en -acculaders

OPMERKING:

- Sommige items op de lijst kunnen zijn inbegrepen in de doos van het gereedschap als standaard toebehoren. Zij kunnen van land tot land verschillen.

Geluid

ENG905-1

De typische, A-gewogen geluidsniveaus zijn gemeten volgens EN786:

Modellen DUR141

Geluidsdrukniveau (L_{pA}): 75 dB (A)

Geluidsvermogeniveau (L_{WA}): 83,7 dB (A)

Onzekeerheid (K): 2,5 dB (A)

Modellen DUR181

Geluidsdrukniveau (L_{pA}): 82 dB (A)

Geluidsvermogeniveau (L_{WA}): 88,5 dB (A)

Onzekeerheid (K): 2,5 dB (A)

Draag gehoorbescherming.

Trilling

ENG904-2

De trillingstotaalwaarde is bepaald volgens EN786:

Trillingsemisatie (a_h): 2,5 m/s² of minder

Onzekeerheid (K): 1,5 m/s²

ENG901-1

- De opgegeven trillingsemisatie waarde is gemeten volgens de standaardtestmethode en kan worden gebruikt om dit gereedschap te vergelijken met andere gereedschappen.
- De opgegeven trillingsemisatie waarde kan ook worden gebruikt voor een beoordeling vooraf van de blootstelling.

WAARSCHUWING:

- De trillingsemisatie tijdens het gebruik van het elektrische gereedschap in de praktijk kan verschillen van de opgegeven trillingsemisatie waarde afhankelijk van de manier waarop het gereedschap wordt gebruikt.
- Zorg ervoor dat veiligheidsmaatregelen worden getroffen ter bescherming van de operator die zijn gebaseerd op een schatting van de blootstelling onder praktijkomstandigheden (rekening houdend met alle fasen van de bedrijfscyclus, zoals de tijdsduur gedurende welke het gereedschap is uitgeschakeld en stationair draait, naast de ingeschakelde tijdsduur).

Alleen voor Europese landen

ENH219-2

EU-verklaring van conformiteit

Wij, Makita Corporation, als de verantwoordelijke fabrikant, verklaren dat de volgende Makita-machine(s):

Aanduiding van de machine:

Accugraskantmaaier

Modelnr./Type: DUR141 en DUR181

Technische gegevens: zie de tabel "TECHNISCHE GEGEVENS".

in serie zijn geproduceerd en

Voldoen aan de volgende Europese richtlijnen:

2000/14/EC en 2006/42/EC

En zijn gefabriceerd in overeenstemming met de

volgende normen of genormaliseerde documenten:

EN60745, EN60335

De technische documentatie wordt bewaard door:

Makita International Europe Ltd.

Technical Department,

Michigan Drive, Tongwell,

Milton Keynes, Bucks MK15 8JD, Engeland

De conformiteitsbeoordelingsprocedure vereist door

Richtlijn 2000/14/EC was is Overeenstemming met annex VI.

Officiële instantie:

TÜV Rheinland LGA Products GmbH

Tillystraße 2

90431 Nürnberg, Duitsland

Identificatienummer 0197

Modellen DUR141

Gemeten geluidsvermogeniveau: 83,7 dB (A)

Gegarandeerd geluidsvermogeniveau: 85 dB (A)

Modellen DUR181

Gemeten geluidsvermogeniveau: 88,5 dB (A)

Gegarandeerd geluidsvermogeniveau: 91 dB (A)

23.9.2011



Tomoyasu Kato

Directeur

Makita Corporation

3-11-8, Sumiyoshi-cho,

Anjo, Aichi, 446-8502, JAPAN

Makita Corporation
Anjo, Aichi, Japan

www.makita.com

885314A993

ALA