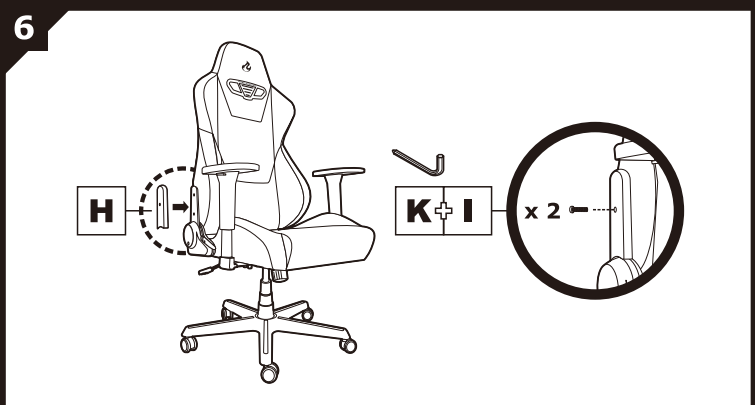
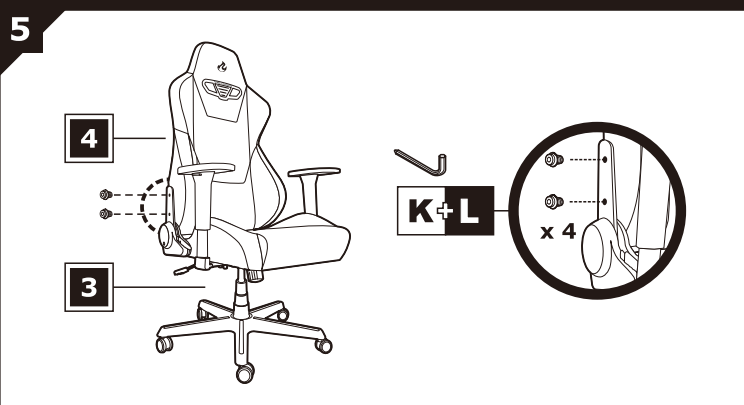
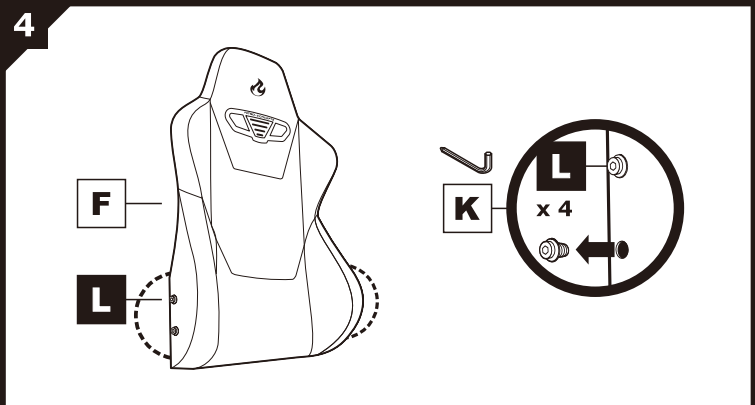
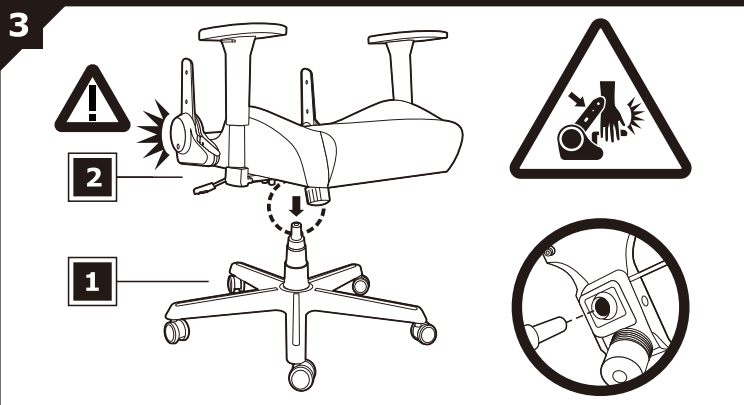
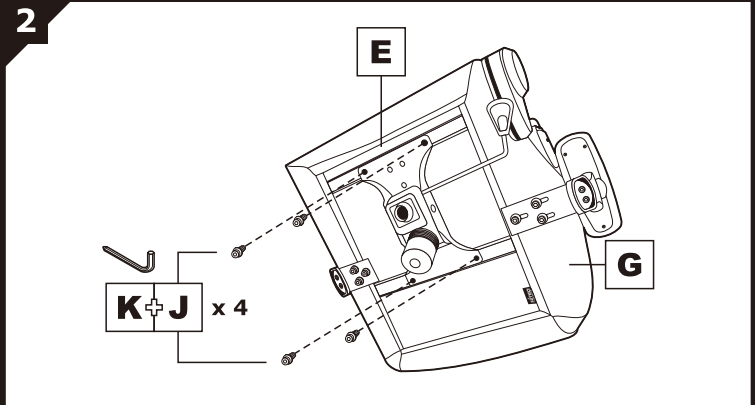
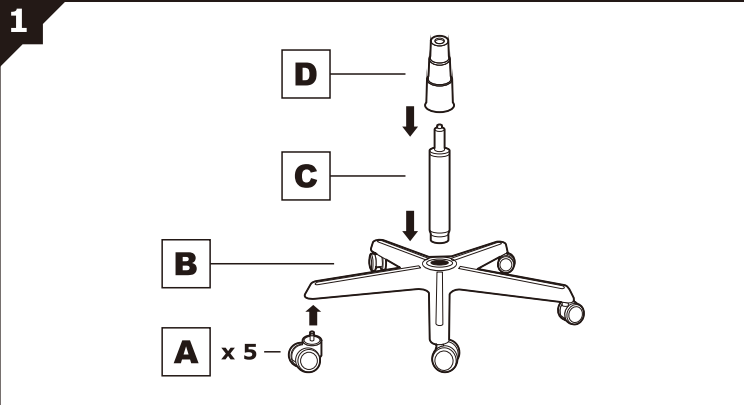


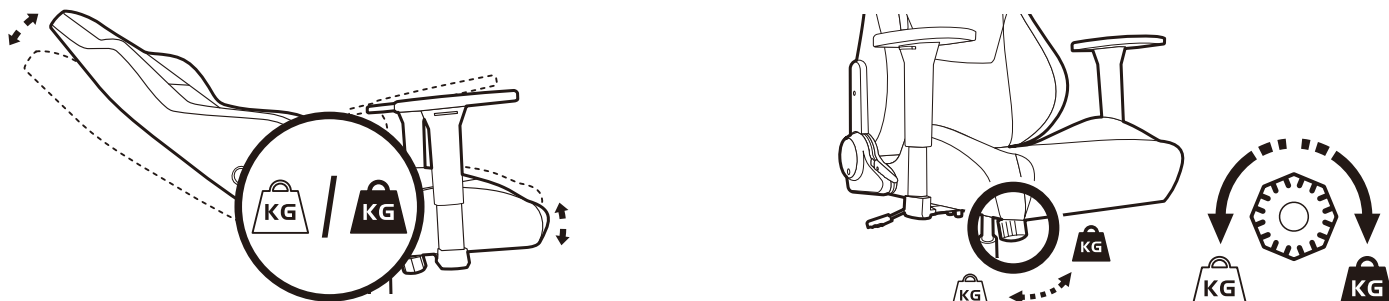
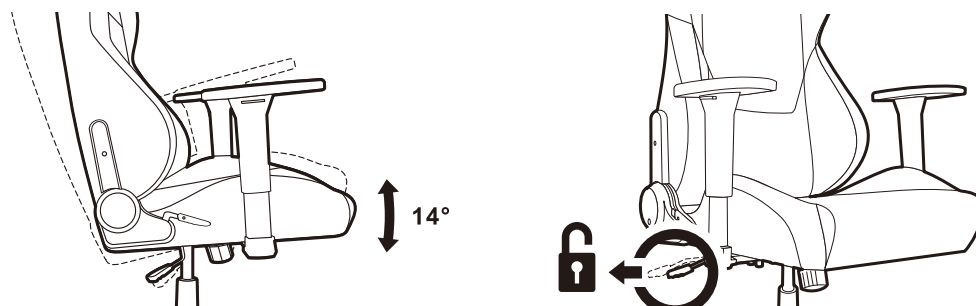
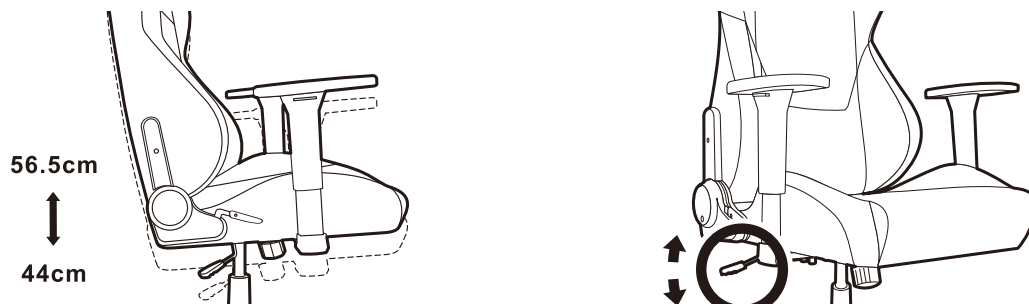
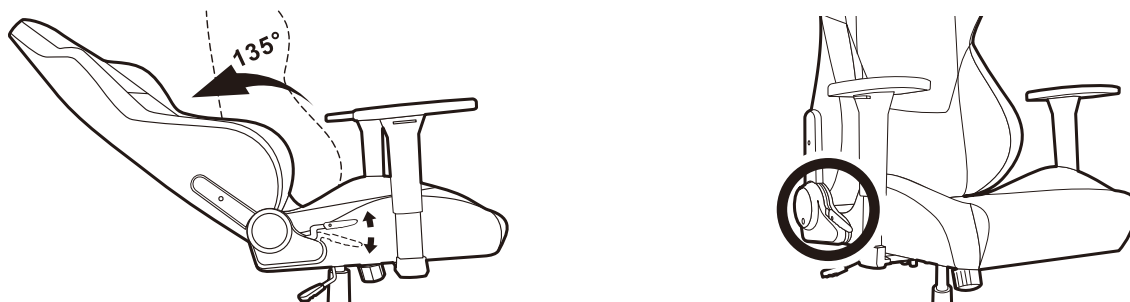
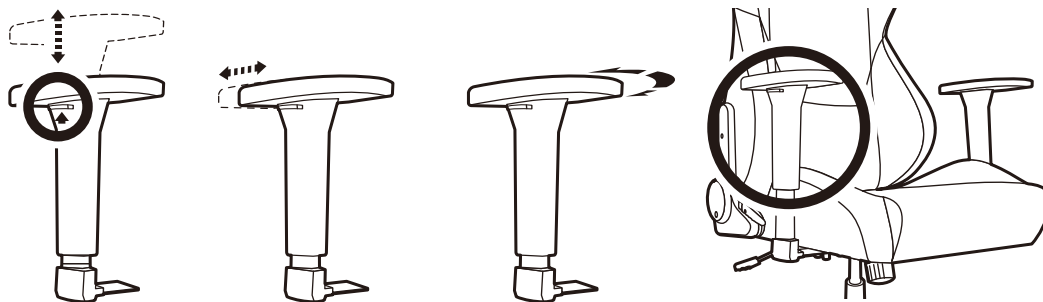


**Nitro**  
**S300 GAMING CHAIR**

<b>A</b>	x 5	<b>F</b>	
<b>B</b>		<b>G</b>	
<b>C</b>		<b>H</b>	x 2
<b>D</b>		<b>I</b>	x 2
<b>E</b>		<b>J</b>	Washer Spring Washer x 4
		<b>K</b>	



# Usage Information / Nutzungsinformationen / Gebruiks informatie



info@nitro-concepts.com



www.nitro-concepts.com