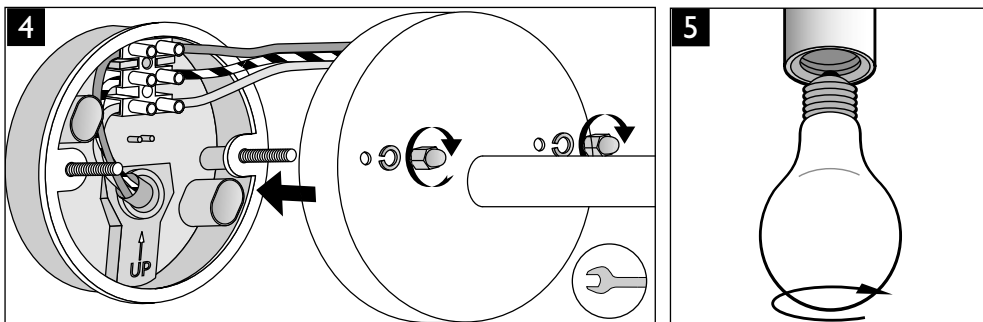
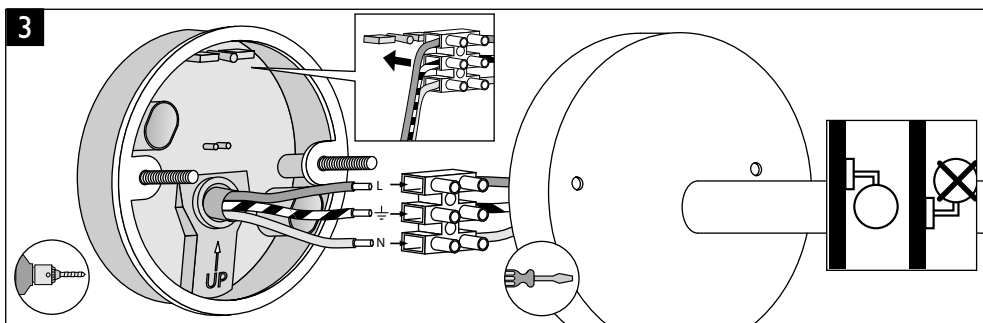
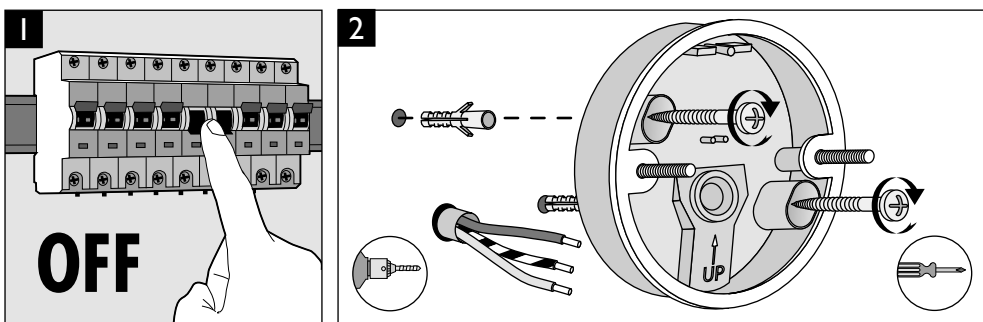




PHILIPS

Philips Lighting Contact Centre
Int. Business Reply Service
I.B.R.S. / C.C.R.I. Numéro 10461
5600 VB Eindhoven
Pays-Bas / The Netherlands
440402904441

| | | | | | |
|----------|--|------------------------------|---------------|------------|--|
| IPX4 | | | | 8mm | |
| | | E27 Ø55mm Max. 60W | CFL-I E27 | → B | |



PHILIPS

