

PHILIPS

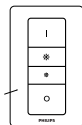
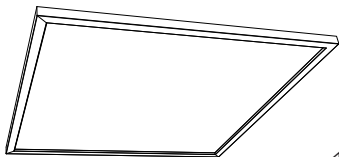
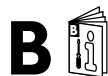
hue personal
wireless
lighting

32162/**/**



Gebruiksaanwijzing
Notice d'emploi
Benutzerhandbuch
User manual
Manual de usuario

Incl.



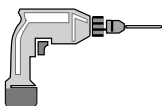
+



1x CR2450



Excl.

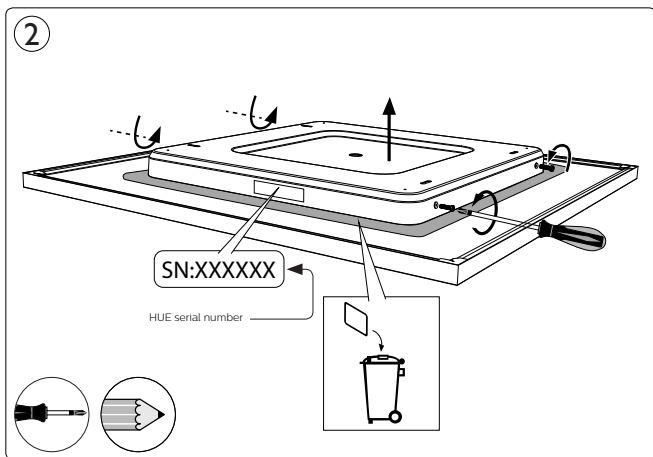
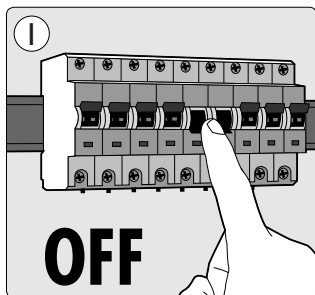


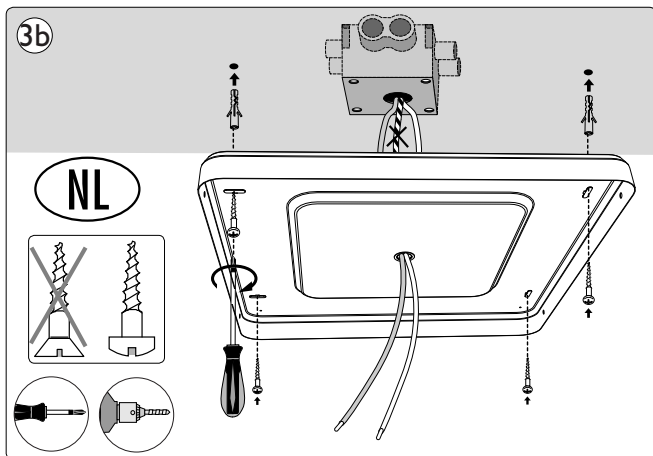
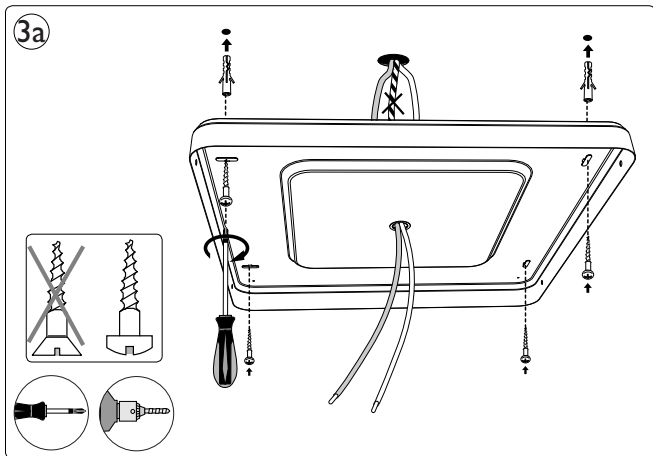
+

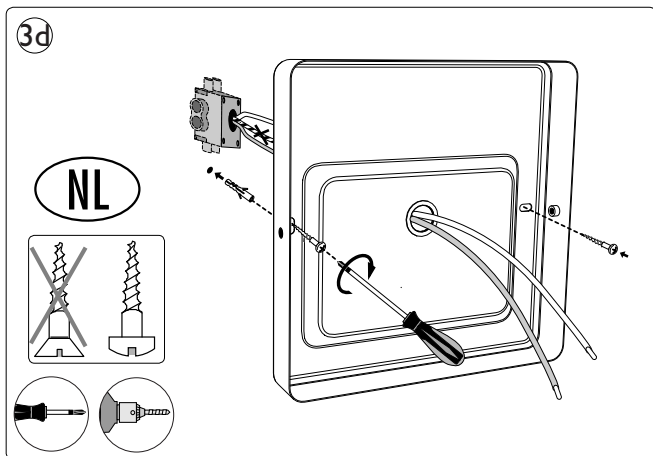
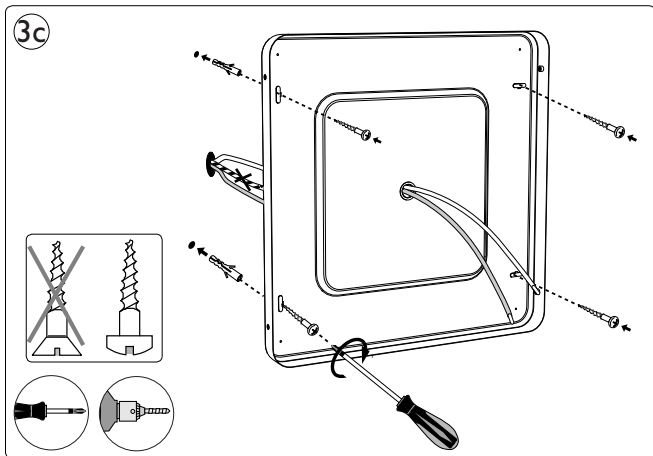


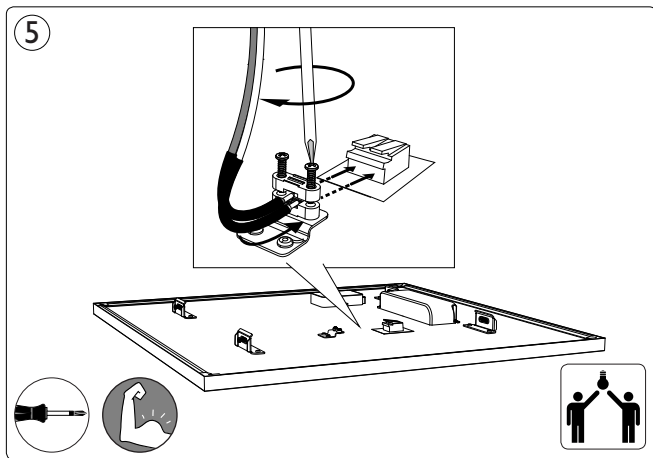
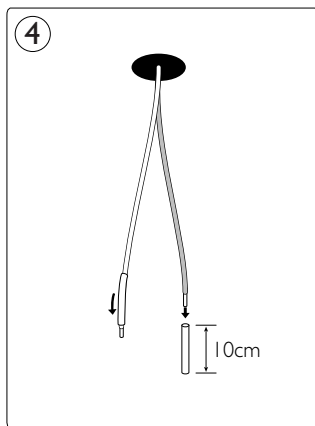
www.meethue.com/getstarted

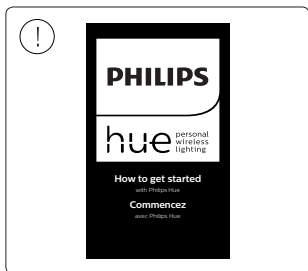
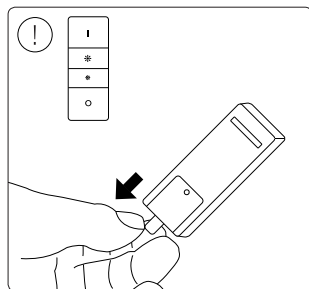
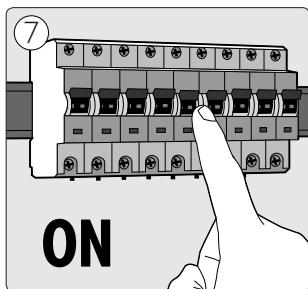
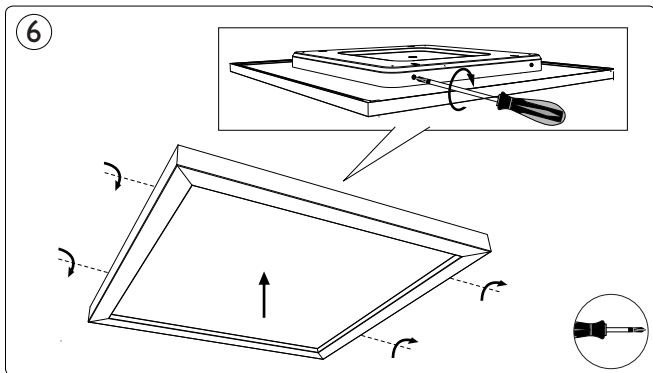














Signify
I.B.R.S. / C.C.R.I. Numéro 10461
5600 VB Eindhoven,
the Netherlands
☎00800-74454775

© 2019 Signify Holding
All rights reserved.

www.meethue.com

4404 029 09693
Last update: 16/08/19