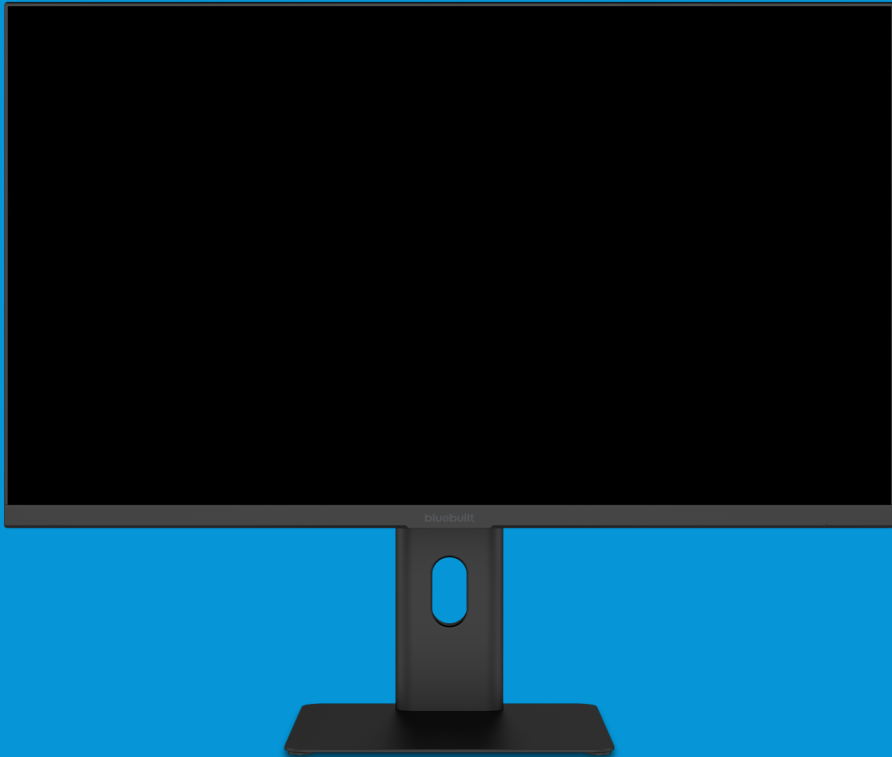


FLYING START.

Plane and simple.



27" Ultra HD 4K 60Hz Monitor

27" Ultra HD 4K 60Hz Monitor

Moniteur Ultra HD 4K 27 Pouces 60Hz

Ultra HD 4K 27-Zoll-Monitor mit 60 Hz

971038 - BBUHM2760H

A  brand

The 'cool blue brand' logo consists of the words 'cool' and 'blue' stacked vertically in a white, lowercase, sans-serif font, enclosed within a white circle with a thick orange border.

V1.0

Screen diagonal	27"
Backlight	E-LED
Resolution	3840×2160 (pixels) UHD (2160p)
Aspect ratio	Standard (16:9)
Panel type	IPS
Brightness	250 cd/m2 (min.) 300 cd/m2 (typ.)
Contrast ratio	1000:1 (typ.)
Response time	14 ms (typ.) 5ms (with OD)
Pixel spacing	0.1554mm(H)×0.1554mm(V)
Viewing angle	178°(H)/178°(V)
Lifetime	30,000 hours (min.)
Colour range (X% NTSC)	85% (typ.)
Viewing area (mm)	596.736(H)×335.664(V)mm
Colour rendering	1.07B colours (8bit + FRC)
Power	DC 12V/4A
Energy consumption	≤48W
Standby power consumption	≤0.5W
HDMI IN 2.1	×2 (3840×2160@60Hz)
DisplayPort IN 1.4	×1 (3840×2160@60Hz)
Headphones	Level: 110 ± 40 mVrms Interface: 03.5 mm mini-interface
Dimensions (w × d × h)	616 × 46.0 × 364.3 mm (without stand) 616 × 200 × 509.3 mm (with stand)
Packaging dimensions (w × d × h)	720 × 165 × 520 mm
Weight	8 kg
VESA	4-M4 100 mm × 100 mm
Ambient temperature	Storage humidity: 10% - 90% RH, non-condensing Operating humidity: 20% - 85% RH, non-condensing Storage temperature: -10°C - +60°C Operating temperature: 0 - + 40°C Operating altitude: ≤5000m Longest service time: 18 hours × 7 days

TABLE OF CONTENTS

FOREWORD	4
1. SAFETY INSTRUCTIONS	5
2. PRODUCT FEATURES	6
3. PREPARATION	7
3.1 Unpacking the monitor.	7
3.2 Main components.	7
3.3 Choose mounting arrangement.	8
3.4 Attach the stand to the monitor	9
3.5 Dismantling.	10
3.6 Attach the monitor arm or wall bracket.	10
4. CONNECTIONS	11
5. SETTING	12
5.1 Rotate or tilt the monitor.	12
5.2 The control panel.	13
5.3 Settings menu.	14
6. MAINTENANCE AND CLEANING	16
7. TROUBLESHOOTING	17
8. GUARANTEE	18
9. TAKING OUT OF SERVICE	18
10. COMPLIANCE	18
11. SAFE DISPOSAL	18

FOREWORD

ABOUT THIS DOCUMENT

- This manual contains all information for the correct, efficient and safe use of the monitor.
- Fully read and understand the instructions in this manual before installing or using your product.
- Keep this document for future use as long as you use and/or own the product. Pass on the instructions to the next user of the docking station.
- BlueBuilt cannot in any way be held liable for immaterial damage to you or to others, or material damage to the appliance, your property or property of others caused by not following or not correctly following the instructions in this manual.
- The latest version of this manual can be found at www.coolblue.nl or coolblue.be/en if you search by the article number (see cover page).

ORIGINAL INSTRUCTIONS

This manual was originally written in Dutch. All other languages are translated documents. In the case of translation errors, the Dutch version takes precedence.

COPYRIGHT

The data depicted in this manual, including texts, photographs, graphic drawings, trademarks, (trade) names and logos, are the property of BlueBuilt and are protected by copyright, trademark law and/or any other intellectual property right, unless these data belong to a third party. You are never allowed to reproduce, transfer, distribute, store or make the contents of the manual available to third parties, in whole or in part, without the prior written consent of BlueBuilt and/or the third party to whom the data belong.

CONTACT DETAILS

BlueBuilt is a registered trademark of Wisepick Productions B.V.
Customer service can be reached at: www.coolblue.nl/en/customer-service.

Wisepick Productions B.V.
Weena 664
3012 CN Rotterdam
The Netherlands
www.coolblue.nl/en

1. SAFETY INSTRUCTIONS



WARNING!

- Do not use the monitor in a humid or wet environment.
- Do not touch the monitor or power cable with wet hands.
- Use only the original power cable supplied with the monitor.
- The product may only be powered with the voltage corresponding to the marking on the product.
- Do not use the monitor if the power cable or the monitor is damaged. Replace a damaged or defective appliance or power cable immediately.
- Do not make any repairs to the monitor or power cable that are not described in this manual. The monitor may only be repaired by an authorised service technician.
- Do not use accessories that are not supplied with the monitor.
- Do not place the monitor near heat sources.
- Never let children play with the packaging material. Keep the packaging material out of reach of children.
- Unplug the appliance if you hear strange noises, smell an odour or see smoke.
- Never insert objects into the air vents.



CAUTION!

- Do not twist or kink the power cable or roll the cable up. Do not clamp the power cable between the surface and the monitor. This can damage the cable's insulation.
- Keep the power cable free of dust and dirt.
- Move the parts of the monitor to be adjusted with due caution to avoid entrapment of hands and/or fingers.



ATTENTION!

- Do not unplug the power cable when the monitor is in use.
- Do not pull the power cable to unplug it. Always pull the plug.
- Do not drop the monitor and avoid impacts. Dropping or bumping the monitor may damage the monitor and affect its correct operation. Do not use the monitor if it has been dropped.
- Avoid discolouration of the housing and do not expose the monitor to direct sunlight.
- Always place the monitor on a flat and stable surface or mount it on a sturdy monitor arm or wall bracket.
- Place the monitor near an easily accessible power outlet.
- Make sure the vents are never blocked.
- Do not place the monitor in locations with strong mechanical vibrations.

- Do not place the monitor directly opposite an air conditioner to avoid condensation and possible damage.
- Always disconnect all cables from the monitor before moving the monitor.
- Never pull the power cable to carry or move the appliance or to disconnect the plug from the socket.
- Do not climb, sit or stand on the monitor.
- Do not expose the monitor to strong electromagnetic fields to avoid interference or damage.
- Remove the power cable from the socket before cleaning the monitor.
- Do not use cleaning products. Always use a soft, damp cloth. Preferably use a special screen cleaner to remove stubborn stains.
- Do not apply the cleaning agent directly to the screen, but to the microfibre cloth.
- Do not press the monitor screen with your hands or other objects.

2. PRODUCT FEATURES

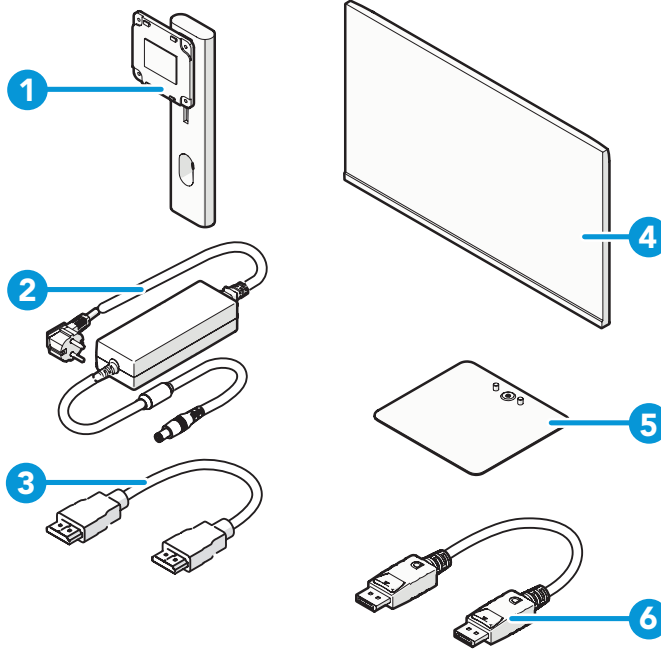
This product is a 27-inch LCD monitor intended for displaying images from a connected source appliance. The monitor supports signal inputs via HDMI and DisplayPort and delivers an optimal resolution of 3840×2160 at 60 Hz. It is powered via an external 12V adapter and has a low power consumption. In addition, the monitor has a headphone audio output for audio playback via the connected appliance.

3. PREPARATION

3.1 UNPACKING THE MONITOR

1. Remove all packaging material and any transport attachments present (e.g. tape, tie-wraps, cable ties and protective film).
2. Check that all parts are present and that there is no damage to the monitor or accessories.

3.2 MAIN COMPONENTS



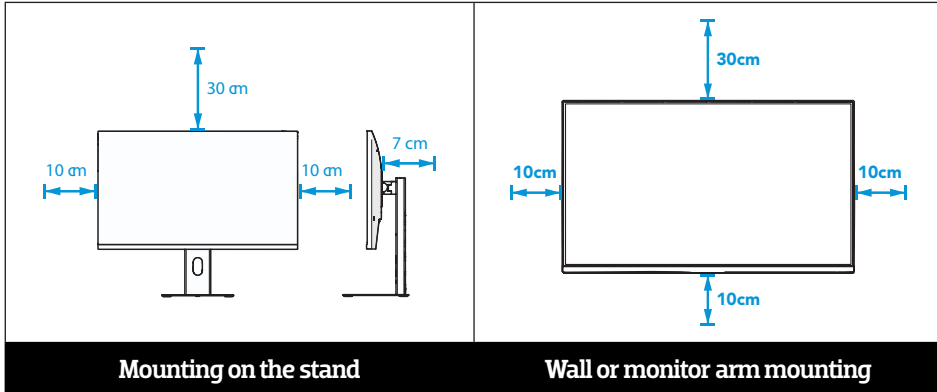
1. Stand
2. Power cable
3. DisplayPort cable (1.5 metres)

4. Display
5. Base
6. HDMI cable (1.5 metres)

3.3 CHOOSE MOUNTING ARRANGEMENT

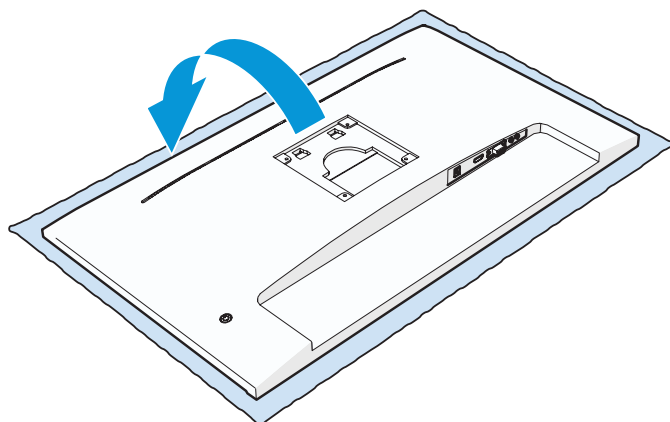
Mount the monitor on the stand supplied or choose another mounting method; mounting on a monitor arm or wall bracket. These are not supplied as standard and you purchase them yourself.

Choose the desired mounting method based on your preference and the available space around the monitor.

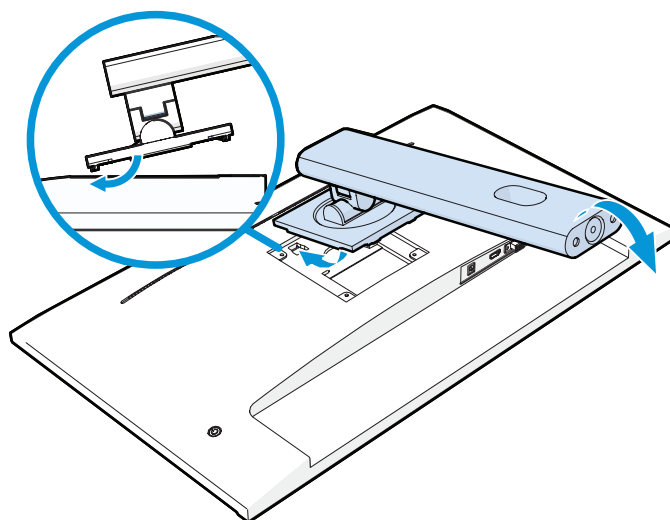


i You are not supplied with any accessories with which to mount the monitor to the wall. Want to mount the monitor on the wall? Then buy a wall bracket separately. Choose a wall bracket with the VESA size 100 × 100 millimetres

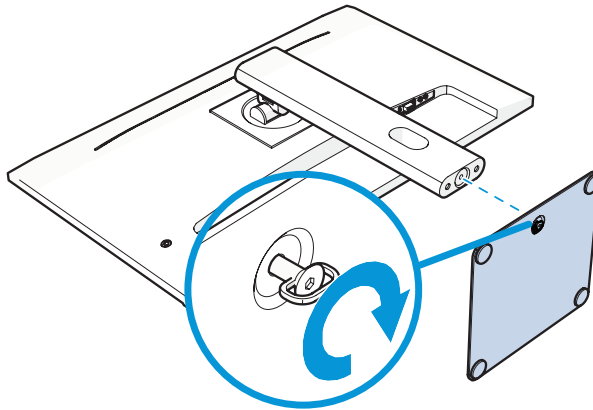
3.4 ATTACH THE STAND TO THE MONITOR



1. Lay a soft cloth on a flat surface.
2. Carefully place the monitor face down on the soft cloth.

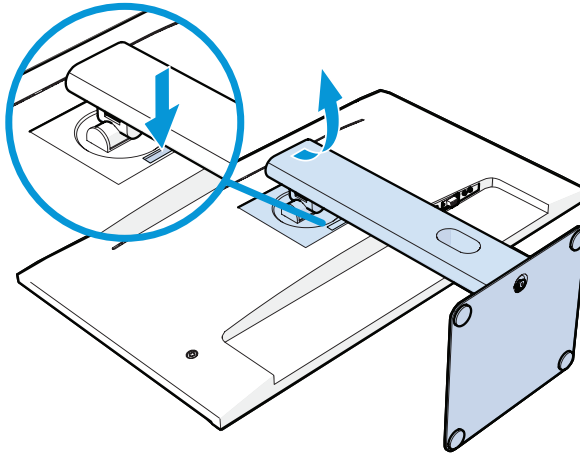


3. Attach the stand to the monitor.



4. Align the stand with the swivel at the bottom of the base.
5. Attach the base to the stand and screw it on.
6. Carefully place the monitor upright on a flat and stable surface.

3.5 DISMANTLING



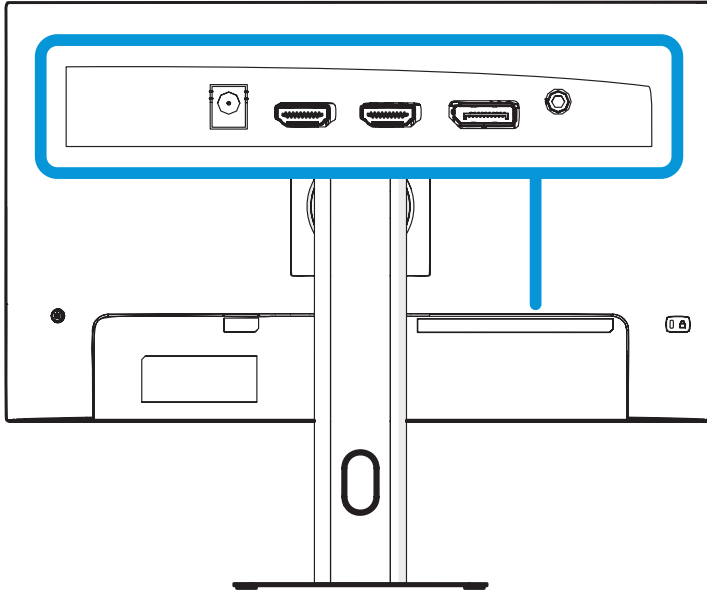
1. Press and keep down the button on the bottom side of the VESA plate.
2. Take the stand carefully off the monitor.

3.6 ATTACH THE MONITOR ARM OR WALL BRACKET

Check the manual of the product (monitor arm or wall bracket) you bought for proper installation.

4. CONNECTIONS

The following connections are located on the monitor (from left to right):

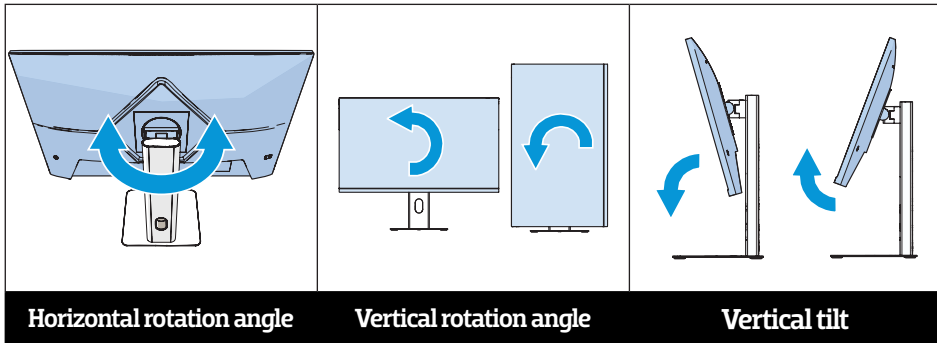


Connection	Description
DC	To connect the monitor to a power source via the power cable.
HDMI	To connect the monitor to a source via the HDMI cable.
Display Port	To connect the monitor to a source via a DP cable.
Headphones	To connect an audio output appliance to the monitor.

5. SETTING

5.1 ROTATE OR TILT THE MONITOR

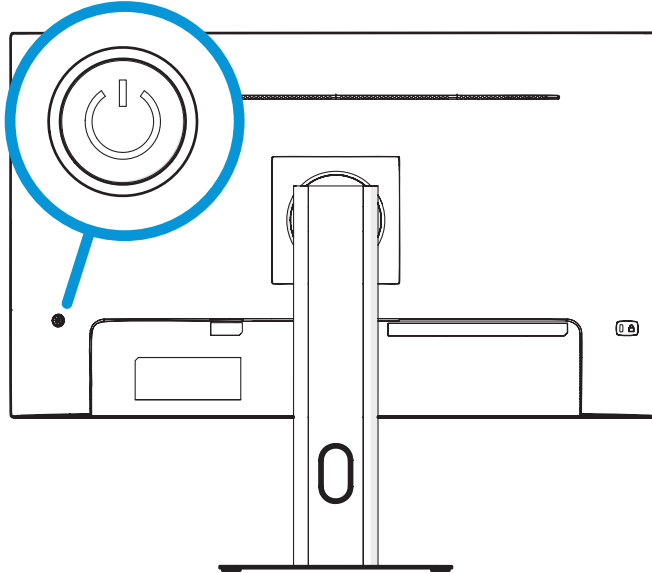
The monitor can be rotated/tilted in three directions:



ⓘ The horizontal rotation angle is limited when the monitor is mounted on the wall.

5.2 THE CONTROL PANEL

Set the monitor using the button on the back of the monitor.



1. Press the on/off button to turn the monitor on.
2. Press the on/off button down or up and select a category in the menu.
3. Press the on/off button to the right and select a setting in the selected category.
4. Press the on/off button down or up and select a setting in the menu.
5. Press the on/off button to the right and select the setting.
6. Press the on/off button to the left or right and adjust the setting.
7. Press the on/off button down and confirm your choice.
8. Press the on/off button to the left and exit the menu.

5.3 SETTINGS MENU

Category	Setting	Description
Picture mode		
Standard	Brightness	Adjust the screen brightness.
RTS	Contrast	Adjust the difference between bright and dark areas of the screen.
FPS	Black Equalizer	Increase detail in dark scenes for better visibility.
MOBA	Sharpness	Increase or decrease edge and detail sharpness.
Movie	Overdrive	Adjust pixel response time for smoother motion.
Photo		
Text		
sRGB		
Display HDR		
HDR Game		
HDR Cinema		
	Gamma	Set the display's gamma curve.
	Color temp.	Adjust the color temperature (Warm/Normal/Cool/Manual).
	Blue Light Filter	Reduce blue light for more comfortable viewing.
	Recall	Restore picture settings to factory defaults.
Color		
6-axis Color	Hue	Adjust the hue per color channel (R/G/B/C/M/Y).
	Saturation	Adjust saturation per channel (R/G/B/C/M/Y).
Color Space	Native	Choose different color spaces
	sRGB	
	Adobe RGB	
	DCI P3	
Color Range	Auto	Adjusting the color range of display colors.
	Full Range	
	Limited Range	

Category	Setting	Description
Color Domain	Auto	Adjusting the color domain of displaying colors.
	RGB Mode	
	YUV Mode	
Color Weakness	Red Filter	Optimize color rendering for red or green color vision deficiency (filters).
	Green Filter	
Gaming setup		
Adaptive-Sync	Off/On	Prevent tearing and stuttering during gaming.
Crosshair	Mode	Display a crosshair and choose style, color, and position.
	H. Position	
	V. Position	
	Color	
FPS Notice	Off/On	Display frame rate in the upper left corner of the screen when turned on.
Timer	Off/15:00/30:00 /45:00/60:00/90:00	Set a countdown timer to display on screen.
Audio setup		
Volume		Adjust the built in speaker volume.
Mute	Off/On	Turn the sound off.
Input select		
HDMI1		Adjusting the input interface type
HDMI2		
DP1		
System		
Language		Set the on screen menu language.
OSD Setup	H. Position	Adjust the vertical position of the OSD menu.
	V. Position	Adjust the vertical position of the OSD menu.
	OSD Rotation	Rotate the OSD menu (0°/90°/270°).
	OSD Timeout	Set the time before the OSD menu closes automatically.
	Transparency	Adjusting the transparency of the OSD menu.

Category	Setting	Description
Aspect ratio	Native	Adjusting the aspect ratio.
	04:03:00	
	Full Screen	
LED indicator	Off/On	Turn the status LED on or off.
Resolution notice	Off/On	Show a warning when the resolution is not optimal.
DDC/CI	Off/On	Turn external software control via DDC/CI on or off.
Memory recall	Confirm/Cancel	Restore all settings to factory defaults.
Information		
Current Resolution		Display the current information of the device.
Optimum Resolution		
H. Frequency		
Pixel Clock		
Firmware Ver.		

6. MAINTENANCE AND CLEANING

Clean the monitor often.

1. Press the on/off button on the back of the monitor and turn the monitor off.
2. Wipe visible dust off the monitor with a dry microfibre cloth.
3. Dampen the microfibre cloth with water and a cleaning agent without ammonia or acetone. Preferably use a special screen cleaner to remove stubborn stains.

ⓘ Do not apply the cleaning agent directly to the screen, but to the microfibre cloth.

4. Dry the monitor with a dry microfibre cloth.
5. Press the button on the back of the monitor and turn the monitor on.

7. TROUBLESHOOTING

Problem	Possible cause	Possible solution
The indicator LED is switched off.	The power cable is not connected.	Connect the power cable to the DC port and a power source.
	Standby mode is enabled. The PC to which the monitor is connected is switched off.	Switch on the PC to which the monitor is connected. The monitor automatically exits standby mode.
The image is not sharp. The image is too small or too large. The image flickers.	The image settings are set incorrectly.	Adjust the image settings in the on-screen "Image Setting" menu. Select "Auto Image Adjust" to
The monitor is overheating.	There is not enough space around the vents.	Make sure there is enough space around the vents. See the "Choose mounting arrangement" chapter for the dimensions.
The monitor is switched off. The indicator LED flashes.	Power-saving mode is enabled.	Press any key on the keyboard or move the mouse to turn on the monitor.
The display keeps switching on and off.	The DP/VGA/HDMI cable is not properly connected to the monitor and/or to the PC.	Check the DP/HDMI cable connection between the monitor and the PC. Make sure the connectors make full contact.
The screen is too dark.	Brightness and contrast are set incorrectly.	Adjust the brightness and contrast in the on-screen "Brightness and Contrast" menu.
The screen is too bright.		
Speakers do not make sound	The playback appliance on the PC is set incorrectly	Set the monitor as playback appliance on the PC
A sound is heard when the monitor is switched off.	This is normal and does not impede the normal functioning of the monitor.	
Dark or light spots on the image during the first 20 minutes of use.	This is normal and does not impede the normal functioning of the monitor.	

8. GUARANTEE

This appliance comes with a guarantee period of five years after purchase. To make a warranty claim, you need the purchase receipt with purchase and/or delivery date. For more information about the warranty conditions, please visit www.coolblue.nl/en/customer-service.

9. TAKING OUT OF SERVICE

1. Clean the appliance. Follow the instructions in the "Maintenance and cleaning" chapter.
2. Remove the power cable from the (earthed) socket.
3. Carefully remove the appliance from its place.
4. Store the appliance in its original packaging in a dry and ventilated space.

10. COMPLIANCE

Wisepick Productions B.V. hereby declares that the appliance complies with Regulation (EU) [2019/2021]. The full text of the EU declaration of conformity can be accessed at: www.coolblue.nl if you search for the article number.

11. SAFE DISPOSAL



This symbol indicates that the appliance must not be disposed of with other household waste within the EU. By properly disposing of the appliance, you help prevent potential hazards to the environment and public health. Recycling materials contributes to the conservation of our natural resources. Therefore, do not dispose of discarded electronic appliances along with household waste. When disposing of the appliance, follow national and local regulations regarding the environmentally friendly disposal of electronic appliances.

BlueBuilt is a registered trademark of Wisepick Productions B.V.
Customer service can be reached at: www.coolblue.nl/en/customer-service.

Wisepick Productions B.V.
Weena 664
3012 CN Rotterdam
The Netherlands

INHOUDSOPGAVE

VOORWOORD	20
1. VEILIGHEIDSVOORSCHRIFTEN	21
2. PRODUCTEIGENSCHAPPEN	22
3. VOORBEREIDING	23
3.1 De monitor uit de verpakking halen	23
3.2 Hoofdonderdelen	23
3.3 Montage opstelling kiezen	24
3.4 Bevestig de standaard aan het beeldscherm.	25
3.5 Demonteren	26
3.6 Bevestig de monitorarm of muurbeugel	26
4. AANSLUITINGEN	27
5. INSTELLEN	28
5.1 Draai of kantel de monitor	28
5.2 Het bedieningspaneel.	29
5.3 Instellingen menu.	30
6. ONDERHOUD EN REINIGING	33
7. PROBLEEMOPLOSSING	34
8. GARANTIE	35
9. BUITEN GEBRUIK STELLEN	35
10. CONFORMITEIT	35
11. VEILIG AFVOEREN	35

NL

VOORWOORD

OVER DIT DOCUMENT

- Deze handleiding bevat alle informatie voor correct, efficiënt en veilig gebruik van de monitor.
- Lees en begrijp de instructies in deze handleiding volledig voordat je jouw product installeert of gebruikt.
- Bewaar dit document voor toekomstig gebruik zolang je het product gebruikt en/of in bezit hebt. Geef de instructies door aan de volgende gebruiker van het docking station.
- BlueBUILT kan op geen enkele wijze aansprakelijk worden gesteld voor immateriële schade aan jou of aan anderen, of materiële schade aan het apparaat, eigendommen of eigendommen van anderen ontstaan door het niet of niet juist opvolgen van de instructies in deze handleiding.
- De laatste versie van deze handleiding vind je op www.coolblue.nl of coolblue.be als je op het artikelnummer (zie voorblad) zoekt.

OORSPRONKELIJKE INSTRUCTIES

Deze handleiding is oorspronkelijk geschreven in het Nederlands. Alle andere talen zijn vertaalde documenten. In geval van vertaalfouten, is de Nederlandse versie leidend.

AUTEURSRECHT

De in deze handleiding afgebeelde gegevens, waaronder begrepen teksten, foto's, grafische tekeningen, beeldmerken, (handels)namen en logo's, zijn eigendom van BlueBUILT en worden beschermd door het auteursrecht, merkenrecht en/of enig ander intellectueel eigendomsrecht, tenzij deze gegevens toebehoren aan een derde. Het is niet toegestaan de inhoud van de handleiding geheel of gedeeltelijk te reproduceren, over te dragen, te verspreiden, te bewaren of tegen vergoeding beschikbaar te stellen aan derden, zonder de voorafgaande schriftelijke toestemming van BlueBUILT en/of de derde waar de gegevens aan toebehoren.

CONTACTGEGEVENS

BlueBUILT is een geregistreerd merk van Wisepick Productions B.V.
De klantenservice kunt u bereiken via: www.coolblue.nl/klantenservice.

Coolblue B.V.
Weena 664
3012 CN Rotterdam
Nederland
www.coolblue.nl

1. VEILIGHEIDSVOORSCHRIFTEN



WAARSCHUWING!

- Gebruik de monitor niet in een vochtige of natte omgeving.
- Raak de monitor en de voedingskabel niet aan met natte handen.
- Gebruik alleen de originele voedingskabel die wordt meegeleverd met de monitor.
- Het product mag alleen worden gevoed met de spanning die overeenkomt met de markering op het product.
- Gebruik de monitor niet als de voedingskabel of de monitor beschadigd is. Vervang een beschadigd of defect apparaat of voedingskabel direct.
- Voer geen reparaties uit aan de monitor en de voedingskabel die niet omschreven zijn in deze handleiding. De monitor mag alleen worden gerepareerd door een bevoegde servicemonteur.
- Gebruik geen accessoires die niet meegeleverd worden.
- Plaats de monitor niet in de buurt van warmtebronnen.
- Laat kinderen nooit met het verpakkingsmateriaal spelen. Houd het verpakkingsmateriaal buiten bereik van kinderen.
- Haal de voedingskabel uit het stopcontact wanneer je vreemde geluiden hoort, een vreemde geur ruikt of bij rookontwikkeling.
- Steek nooit voorwerpen in de ventilatieopeningen.



VOORZICHTIG!

- Draai of knik de voedingskabel niet en rol de voedingskabel niet op. Klem de voedingskabel niet tussen het oppervlak en de monitor in. De isolatielaag van de voedingskabel kan beschadigd raken.
- Houd de voedingskabel vrij van stof en vuil.
- Beweeg de te verstellen onderdelen van de monitor met gepaste voorzichtigheid om beknelling van handen en/of vingers te voorkomen.



LET OP!

- Haal de voedingskabel niet uit het stopcontact wanneer de monitor in gebruik is.
- Trek niet aan de voedingskabel om de stekker uit het stopcontact te halen. Trek altijd aan de stekker.
- Laat de monitor niet vallen en vermijd stoten. Het laten vallen of stoten van de monitor kan de monitor beschadigen en de correcte werking beïnvloeden. Gebruik de monitor niet als de monitor is gevallen.
- Voorkom verkleuring aan de behuizing en stel de monitor niet bloot aan direct zonlicht.

- Plaats de monitor altijd op een vlakke en stabiele ondergrond of monteer deze aan een stevige monitorarm of muurbeugel.
- Plaats de monitor in de buurt van een gemakkelijk bereikbaar stopcontact.
- Zorg dat de ventilatieopeningen nooit geblokkeerd zijn.
- Plaats de monitor niet op locaties met sterke mechanische trillingen.
- Plaats de monitor niet direct tegenover een airconditioner, om condensvorming en mogelijke schade te voorkomen.
- Ontkoppel altijd eerst alle kabels van de monitor voordat je de monitor verplaatst.
- Trek nooit aan de voedingskabel om de monitor te dragen, te verplaatsen of om de stekker uit het stopcontact te nemen.
- Klim, zit of sta niet op de monitor.
- Stel de monitor niet bloot aan sterke elektromagnetische velden om storingen of beschadiging te voorkomen.
- Haal de voedingskabel uit het stopcontact voordat je de monitor reinigt.
- Gebruik geen schoonmaakmiddelen. Gebruik altijd een zachte, vochtige doek. Gebruik bij voorkeur een speciale beeldschermreiniger voor het verwijderen van hardnekkige vlekken.
- Breng het schoonmaakmiddel niet direct op het beeldscherm aan, maar op de microvezeldoek.
- Druk niet op het beeldscherm van de monitor met je handen of andere objecten.

2. PRODUCTEIGENSCHAPPEN

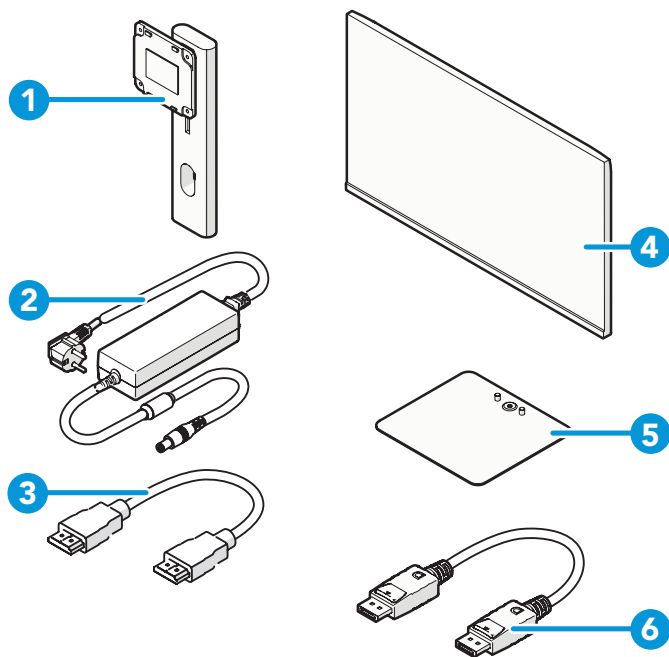
Dit product is een 27-inch LCD-monitor bedoeld voor het weergeven van beeld van een aangesloten bronapparaat. De monitor ondersteunt signaal ingangen via HDMI en DisplayPort en levert een optimale resolutie van 3840×2160 bij 60 Hz. Het apparaat wordt gevoed via een externe 12V-adapter en heeft een laag energieverbruik. Daarnaast beschikt de monitor over een hoofdtelefoon-audio-uitgang voor geluidswaergave via het aangesloten apparaat.

3. VOORBEREIDING

3.1 DE MONITOR UIT DE VERPAKKING HALEN

1. Verwijder al het verpakkingsmateriaal en mogelijk aanwezige transport bevestigingen (bijvoorbeeld tape, tie-wraps, kabelbinders en beschermfolie).
2. Controleer of alle onderdelen aanwezig zijn en of de monitor en de accessoires geen beschadigingen hebben.

3.2 HOOFDONDERDELEN



1. Standaard
2. Voedingskabel
3. DisplayPort kabel (1,5 meter)

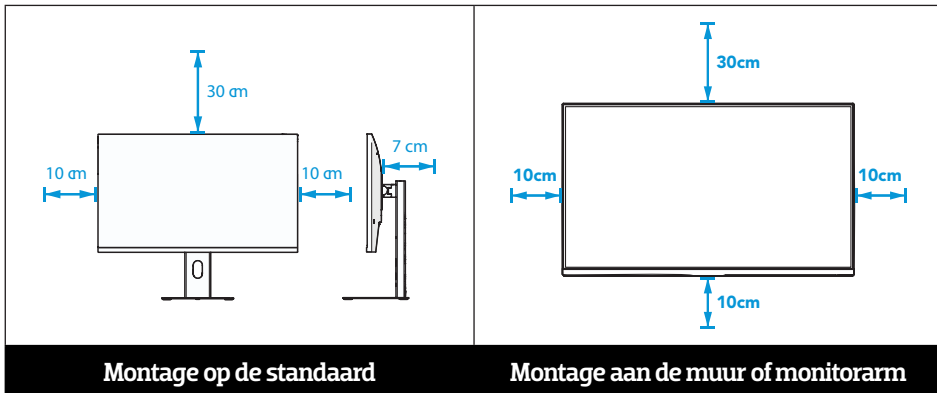
4. Beeldscherm
5. Voet
6. HDMI-kabel (1,5 meter)

3.3 MONTAGE OPSTELLING KIEZEN

Monteer de monitor op de meegeleverde standaard of kies voor een andere montage methode; montage op een monitorarm of muurbeugel. Deze worden niet standaard meegeleverd en schaf je zelf aan.

NL

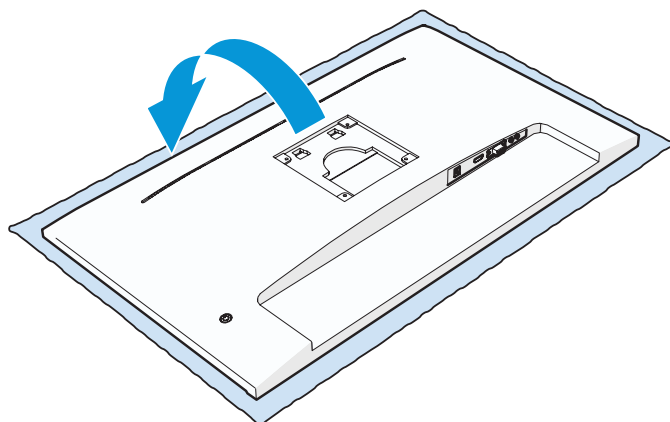
Kies de gewenste montage methode op basis van jouw voorkeur en de beschikbare ruimte om de monitor heen.



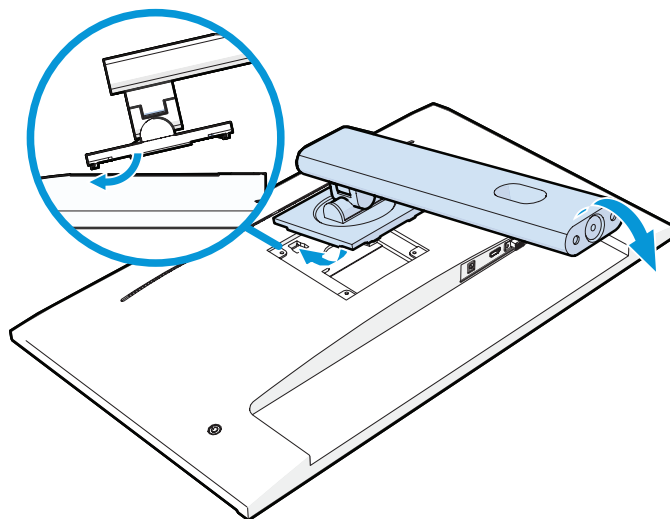
ⓘ Je krijgt geen accessoires meegeleverd waarmee je de monitor aan de muur monteert. Wil je de monitor aan de muur monteren? Dan schaf je een muurbeugel los aan. Kies voor een muurbeugel met de VESA maat 100 × 100 millimeter.

3.4 BEVESTIG DE STANDAARD AAN HET BEELDSCHERM

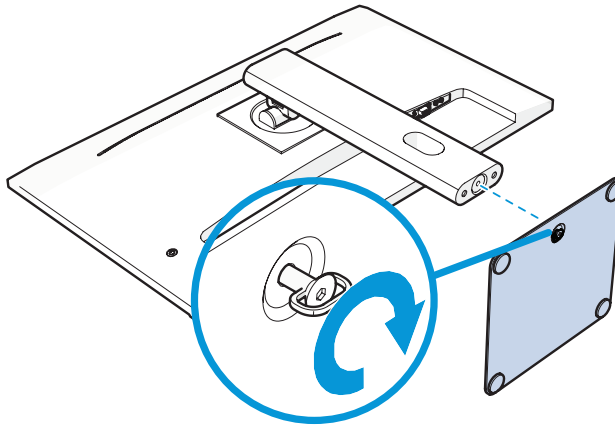
NL



1. Leg een zacht doek op een vlakke ondergrond.
2. Plaats het beeldscherm voorzichtig met het scherm naar beneden op het zachte doek.

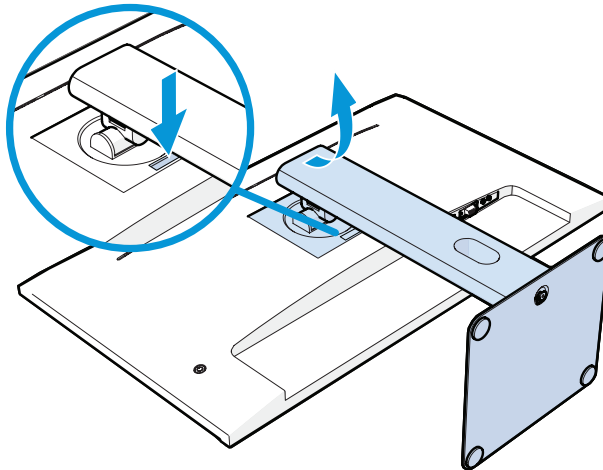


3. Klik de standaard in de monitor.



4. Lijn de standaard uit met de draaischroef aan de onderkant van de voet.
5. Bevestig de voet aan de standaard en draai hem vast.
6. Plaats de monitor voorzichtig rechtop op een vlakke en stabiele ondergrond.

3.5 DEMONTEREN



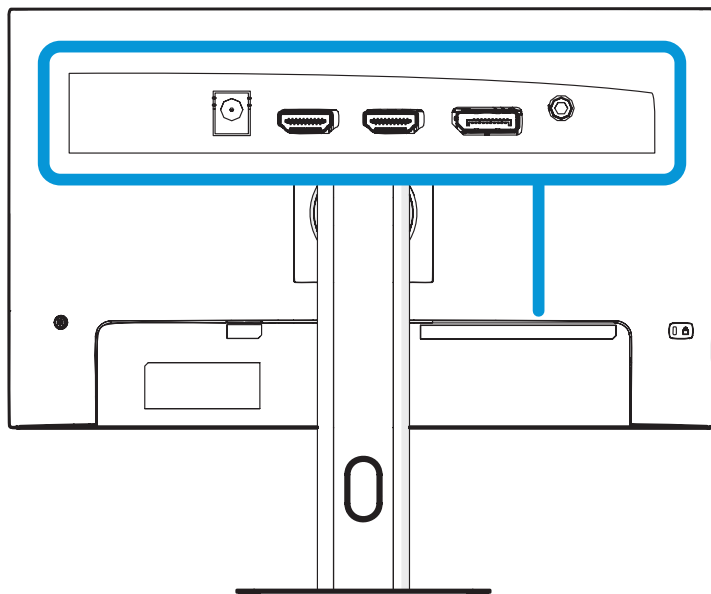
1. Houd de knop aan de onderzijde van de VESA plaat ingedrukt.
2. Haal de standaard voorzichtig van de monitor af.

3.6 BEVESTIG DE MONITORARM OF MUURBEUGEL

Bekijk de handleiding van het product (monitorarm of muurbeugel) dat je hebt gekocht voor een juiste installatie.

4. AANSLUITINGEN

De volgende aansluitingen zijn aanwezig op de monitor (van links naar rechts):



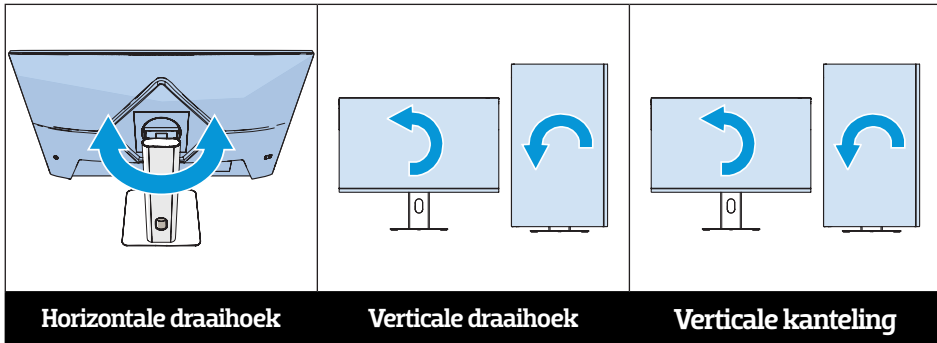
Aansluiting	Beschrijving
DC	Om de monitor via de voedingskabel aan te sluiten op een stroombron.
HDMI	Om de monitor via de HDMI-kabel aan te sluiten op een bron.
DisplayPort	Om de monitor via een DP-kabel aan te sluiten op een bron.
Hoofdtelefoon	Om een audio-uitvoerapparaat aan te sluiten op de monitor.

5. INSTELLEN

5.1 DRAAI OF KANTEL DE MONITOR

NL

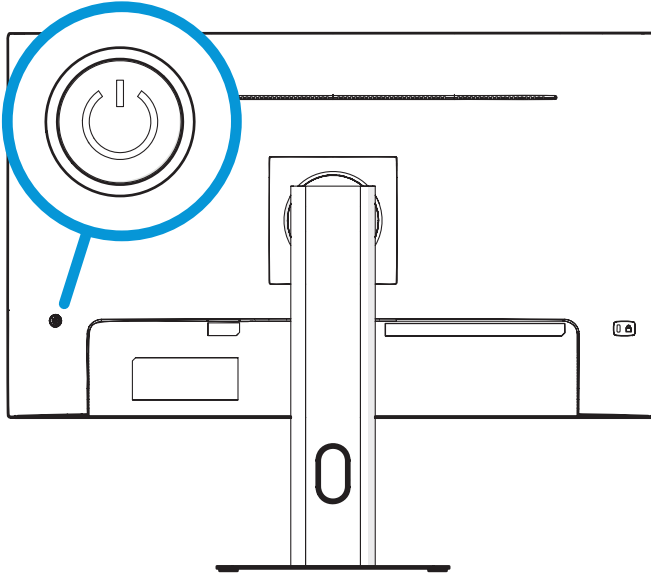
De monitor kan drie kanten op worden gedraaid/gekanteld:



ⓘ De horizontale draaihoek is beperkt mogelijk wanneer de monitor aan de muur is gemonteerd.

5.2 HET BEDIENINGSPANEEL

Stel de monitor in met de knop aan de achterkant van het beeldscherm.



1. Druk op de aan-/uitknop om de monitor aan te zetten.
2. Druk de aan-/uitknop naar beneden of naar boven en selecteer een categorie in het menu.
3. Druk de aan-/uitknop naar rechts en selecteer een instelling in de gekozen categorie.
4. Druk de aan-/uitknop naar beneden of naar boven en selecteer een instelling in het menu.
5. Druk de aan-/uitknop naar rechts en selecteer de instelling.
6. Druk de aan-/uitknop naar links of rechts en pas de instelling aan.
7. Druk de aan-/uitknop naar beneden en bevestig je keuze.
8. Druk de aan-/uitknop naar links en ga uit het menu.

5.3 INSTELLINGEN MENU

TL

Categorie	Instelling	Beschrijving
Beeldweergave		
Standaard	Helderheid	Pas de helderheid van het scherm aan.
RTS	Contrast	Pas het verschil aan tussen heldere en donkere delen van het scherm.
FPS	Equalizer Zwart	Verhoog de details in donkere scènes voor een betere zichtbaarheid.
MOBA	Scherpte	Verhoog of verlaag de scherpte van randen en details.
Film	Overdrive	Pas de reactietijd van de pixels aan voor vloeiendere bewegingen.
Foto		
Tekst		
sRGB		
HDR Beeldscherm		
HDR-Game		
HDR-Bioscoop		
	DCR	Optimaliseer automatisch het dynamisch contrast voor een betere beeldkwaliteit.
	Gamma	Stel de gammacurve van het scherm in.
	Kleurtemp.	Pas de kleurtemperatuur aan (Warm/Normaal/Koel/Manueel).
	Blauwlichtfilter	Verminder blauw licht voor comfortabeler kijken.
	Fabrieksinstellingen terugzetten	Zet de beeldinstellingen terug naar de fabrieksinstellingen.
Kleur		
Kleur 6-assig	Tint	Pas de tint per kleurkanaal aan (R/G/B/C/M/Y).
	Verzadiging	Pas de verzadiging per kanaal aan (R/G/B/C/M/Y).
Kleurruimte	Native	Kies verschillende kleurruimtes.
	sRGB	
	Adobe RGB	
	DCI P3	

Categorie	Instelling	Beschrijving
Kleurbereik	Auto	Pas het kleurbereik van de weergegeven kleuren aan.
	Volledig bereik	
	Beperkt bereik	
Kleurdomein	Auto	Pas het kleurdomein van de weergegeven kleuren aan.
	RGB-modus	
	YUV-modus	
Kleurenblindheid	Rood filter	Optimaliseer de kleurweergave voor mensen met rood-groenkleurenblindheid (filters).
	Groen Filter	
Instellingen voor gamen		
Adaptieve synchronisatie	Uit/Aan	Voorkom overlap en haperen tijdens het gamen.
Richtpunt	Modus	Geef een richtpunt weer en kies de stijl, kleur en positie.
	H. Positie	
	V. Positie	
	Kleur	
FPS-melding	Uit/Aan	Geef de frames per seconde weer op het scherm.
Timer	Uit/15:00/30:00 /45:00/60:00/90:00	Stel een afteltimer in die op het scherm wordt weergegeven.
Audio-instellingen		
Volume		Pas het volume van de ingebouwde luidspreker aan.
Dempen	Uit/Aan	Zet het geluid uit.
Inputselectie		
HDMI1		Pas het type inputinterface aan.
HDMI2		
DP1		
Systeem		
Taal		Stel de taal van het menu op het scherm in.

Categorie	Instelling	Beschrijving
OSD-instellingen	H. Positie	Pas de verticale positie van het OSD-menu aan.
	V. Positie	Pas de verticale positie van het OSD-menu aan.
	OSD-rotatie	Draai het OSD-menu (0°/90°/270°).
	OSD-time-out	Stel de tijd in voordat het OSD-menu automatisch wordt gesloten.
	Transparantie	Pas de transparantie van het OSD-menu aan.
Beeldverhouding	Native	Pas de beeldverhouding aan.
	04:03:00	
	Volledig scherm	
LED-indicator	Uit/Aan	Zet de status-LED aan of uit.
Resolutie-melding	Uit/Aan	Geef een waarschuwing weer als de resolutie niet optimaal is.
DDC/CI	Uit/Aan	Schakel externe softwarecontrole via DDC/CI in of uit.
Fabrieksinstellingen terugzetten	Bevestig/ Annuleer	Zet alle instellingen terug naar de fabrieksinstellingen.
Informatie		
Huidige resolutie		Geef de huidige informatie van het apparaat weer.
Optimale resolutie		
H. Frequentie		
Pixelklok		
Firmwareversie		

6. ONDERHOUD EN REINIGING

Maak de monitor vaak schoon.

1. Druk op de aan-/uitknop aan de achterkant van het beeldscherm en schakel de monitor uit.
2. Neem de zichtbare stof van de monitor af met een droge microvezeldoek.
3. Maak de microvezel doek vochtig met water en een schoonmaakmiddel zonder ammoniak of aceton. Gebruik bij voorkeur een speciale beeldschermreiniger voor het verwijderen van hardnekkige vlekken.

i Breng het schoonmaakmiddel niet direct op het beeldscherm aan, maar op de microvezeldoek.

4. Maak de monitor droog met een droge microvezeldoek.
5. Druk op de aan-/uitknop aan de achterkant van het beeldscherm en schakel de monitor in.

7. PROBLEEMOPLOSSING

Probleem	Mogelijke oorzaak	Mogelijke oplossing
De indicatie LED is uitgeschakeld.	De voedingskabel is niet aangesloten.	Sluit de voedingskabel aan op de DC-poort en een stroombron.
	De stand-by modus is ingeschakeld. De pc waarop de monitor is aangesloten is uitgeschakeld.	Schakel de pc waarop de monitor is aangesloten in. De monitor gaat automatisch uit de stand-by modus.
Het beeld is niet scherp. Het beeld is te klein of te groot. Het beeld flinkt.	De beeldinstellingen zijn verkeerd ingesteld.	Pas de beeldinstellingen aan in het on-screen menu "Image Setting". Selecteer "Auto Image Adjust" om
De monitor is aan het oververhitten.	Er is niet genoeg ruimte rondom de ventilatieopeningen.	Zorg dat er genoeg ruimte is rondom de ventilatieopeningen. Kijk in het hoofdstuk 'Montage opstelling kiezen' voor de afmetingen.
De monitor is uitgeschakeld. De indicatie LED knippert.	De energiebesparingsmodus is ingeschakeld.	Druk op een willekeurige toets op het toetsenbord of beweeg de muis om de monitor in te schakelen.
Het beeldscherm blijft in- en uitschakelen.	De DP/VGA/HDMI-kabel is niet goed aangesloten op de monitor en/of op de pc.	Controleer de DP/HDMI-kabelverbinding tussen de monitor en de pc. Zorg dat de connectoren volledig contact maken.
Het beeldscherm is te donker.	De helderheid en contrast zijn verkeerd ingesteld.	Pas de helderheid en het contrast aan in het on-screen menu "Brightness and Contrast".
Het beeldscherm is te helder.		
De luidsprekers geven geen geluid	Het afspeelapparaat op de pc is verkeerd ingesteld	Stel de monitor als afspeelapparaat in op de pc
Er klinkt geluid bij het uitschakelen van de monitor.	Dit is normaal en hindert het normaal functioneren van de monitor niet.	
Donkere of lichte vlekken in beeld gedurende de eerste 20 minuten gebruik.	Dit is normaal en hindert het normaal functioneren van de monitor niet.	

8. GARANTIE

Het apparaat wordt geleverd met een garantieperiode van 5 jaar na aankoop. Om aanspraak te kunnen maken op de garantie, heb je de aankoopbon met koop- en /of leverdatum. Ga voor meer informatie over de garantievoorwaarden naar: www.coolblue.nl/klantenservice.

9. BUITEN GEBRUIK STELLEN

1. Maak het apparaat schoon. Volg de instructies uit het hoofdstuk 'Onderhoud en reiniging'.
2. Haal de voedingskabel uit het (geaarde) stopcontact.
3. Haal het apparaat voorzichtig van zijn plek.
4. Bewaar het apparaat in de originele verpakking in een droge en afgesloten ruimte.

FR

10. CONFORMITEIT

Hierbij verklaart Wisepick Productions B.V. dat het apparaat conform is met de Verordening (EU) [2019/2021]. De volledige tekst van de EU-conformiteitsverklaring kan worden geraadpleegd op: www.coolblue.nl als u zoekt op het artikelnummer.

11. VEILIG AFVOEREN



Dit symbool geeft aan dat het apparaat niet met ander huishoudelijk afval weggegooid mag worden binnen de EU. Door het apparaat op de juiste wijze af te voeren, help je mogelijke gevaren voor het milieu en de volksgezondheid te voorkomen. Het recyclen van materialen draagt bij tot het behoud van natuurlijke hulpbronnen. Gooi afgedankte elektronische apparaten daarom niet weg met het huishoudelijk afval. Volg bij het afvoeren van het apparaat de nationale en lokale regelgeving met betrekking tot het milieuvriendelijk afvoeren van elektronische apparatuur.

BlueBuilt is een geregistreerd merk van Wisepick Productions B.V.
De klantenservice kunt u bereiken via: www.coolblue.nl/klantenservice.
Wisepick Productions B.V.
Weena 664
3012 CN Rotterdam
Nederland

TABLE DES MATIÈRES

TABLE DES MATIÈRES	37
AVANT-PROPOS	38
1. CONSIGNES DE SÉCURITÉ	39
2. PROPRIÉTÉS DU PRODUIT	40
3. PRÉPARATION	41
3.1 Déballage du moniteur	41
3.2 Composants principaux	41
3.3 Choix de la configuration de montage	42
3.4 Fixation du support au moniteur	43
3.5 Démontage	44
3.6 Fixation du bras de moniteur ou de la console murale	44
4. CONNECTEURS	45
5. RÉGLAGES	46
5.1 Rotation ou inclinaison du moniteur	46
5.2 Panneau de commande	47
5.3 Menu Réglages	48
6. ENTRETIEN ET NETTOYAGE	51
7. DÉPANNAGE	52
8. GARANTIE	53
9. MISE HORS SERVICE	53
10. CONFORMITÉ	53
11. MISE AU REBUT SÉCURISÉE	53

FR

AVANT-PROPOS

À PROPOS DE CE DOCUMENT

- Ce manuel contient toutes les informations nécessaires pour une utilisation correcte, efficace et sans danger du moniteur.
- Prenez le temps de lire et de comprendre l'ensemble des instructions de ce manuel avant d'installer ou d'utiliser votre produit.
- Conservez ce document pour référence future tant que vous utilisez et/ou possédez le produit. Transmettez les instructions au prochain utilisateur de la station d'accueil.
- BlueBUILT ne peut en aucun cas être tenue responsable des dommages immatériels causés à vous-même ou à autrui, ou des dommages matériels causés à l'appareil, à vos biens ou à ceux d'autrui, suite au non-respect des instructions contenues dans ce manuel.
- La dernière version de ce manuel peut être consultée à l'adresse www.coolblue.nl ou www.coolblue.be en effectuant une recherche sur la référence (indiquée en page de garde).

INSTRUCTIONS D'ORIGINE

Ce manuel a été écrit à l'origine en néerlandais. Toutes les autres langues sont des documents traduits. En cas d'erreurs de traduction, la version néerlandaise prévaudra.

DROIT D'AUTEUR

Les données représentées dans ce manuel, y compris les textes, photos, dessins graphiques, marques figuratives, noms (commerciaux) et logos, sont la propriété de BlueBUILT et sont protégées par le droit d'auteur, le droit des marques et/ou tout autre droit de propriété intellectuelle, sauf si ces données appartiennent à un tiers. Vous n'êtes en aucun cas autorisé(e) à reproduire, transférer, distribuer, conserver ou mettre à la disposition de tiers contre rémunération la totalité ou une partie du contenu du manuel sans l'autorisation écrite préalable de BlueBUILT et/ou du tiers auquel les données appartiennent.

COORDONNÉES

BlueBUILT est une marque déposée de Wisepick Productions B.V.

Le service client est joignable via : <https://www.coolblue.be/fr/service-client>.

Wisepick Productions B.V.

Weena 664

3012 CN Rotterdam

Pays-Bas

www.coolblue.be

1. CONSIGNES DE SÉCURITÉ



AVERTISSEMENT !

- N'utilisez pas le moniteur dans un environnement humide ou mouillé.
- Ne touchez pas le moniteur et le câble d'alimentation avec des mains mouillées.
- Utilisez uniquement le câble d'alimentation d'origine fourni avec le moniteur.
- Le produit ne doit être alimenté qu'avec la tension qui correspond au marquage apposé sur celui-ci.
- N'utilisez pas le moniteur si le câble d'alimentation ou le moniteur est endommagé. Remplacez immédiatement tout appareil ou câble d'alimentation endommagé ou défectueux.
- N'effectuez pas de réparations sur le moniteur et le câble d'alimentation qui ne sont pas décrites dans le présent manuel. Le moniteur ne peut être réparé que par un technicien qualifié.
- N'utilisez pas d'accessoires non fournis.
- Ne placez pas le moniteur à proximité de sources de chaleur.
- Ne laissez jamais les enfants jouer avec l'emballage. Tenez l'emballage hors de portée des enfants.
- Débranchez l'appareil si vous entendez des bruits étranges, si vous sentez une odeur bizarre ou si vous observez un dégagement de fumée.
- N'introduisez jamais d'objets dans les orifices de ventilation.



PRUDENCE !

- Ne tordez ou ne pliez pas le câble d'alimentation, et ne l'enroulez pas. Ne coincez pas le câble d'alimentation entre la surface d'utilisation et le moniteur. Cela pourrait endommager la gaine isolante du câble d'alimentation.
- Veillez à ce que le câble d'alimentation soit exempt de poussière et de saleté.
- Déplacez les éléments de réglage du moniteur avec la prudence nécessaire pour éviter de vous coincer les mains et/ou les doigts.



ATTENTION!

- Ne débranchez pas le câble d'alimentation lorsque le moniteur est en cours d'utilisation.
- Ne tirez pas sur le câble d'alimentation pour le débrancher. Songez toujours à débrancher un appareil en saisissant la fiche électrique.
- Ne laissez pas tomber le moniteur et évitez les chocs. Toute chute du moniteur ou tout autre choc peut endommager l'appareil et nuire à son bon fonctionnement. N'utilisez pas le moniteur s'il est tombé.
- Évitez toute décoloration du boîtier et n'exposez pas le moniteur à la lumière directe du soleil.

- Placez toujours le moniteur sur une surface plane et stable ou montez-le sur un bras de moniteur ou une console murale solide.
- Placez le moniteur près d'une prise de courant facilement accessible.
- Veillez à ce que les ouvertures de ventilation ne soient jamais obstruées.
- Ne placez pas le moniteur dans des endroits soumis à de fortes vibrations mécaniques.
- Ne placez pas l'écran directement en face d'un climatiseur afin d'éviter la condensation et d'éventuels dommages.
- Débranchez toujours tous les câbles du moniteur avant de le déplacer.
- Ne tirez jamais sur le câble d'alimentation pour transporter, déplacer ou débrancher le moniteur.
- Ne montez pas sur le moniteur et ne vous placez pas assis ou debout sur l'appareil.
- N'exposez pas le moniteur à des champs électromagnétiques puissants afin d'éviter les interférences ou les dommages.
- Débranchez le câble d'alimentation avant de nettoyer le moniteur.
- N'utilisez pas de détergents. Utilisez toujours un chiffon doux et humide. Utilisez de préférence un nettoyeur spécial pour écrans afin d'éliminer les taches tenaces.
- N'appliquez pas le produit de nettoyage directement sur l'écran, mais sur le chiffon en microfibres.
- N'appuyez pas sur l'écran du moniteur avec vos mains ou d'autres objets.

2. PROPRIÉTÉS DU PRODUIT

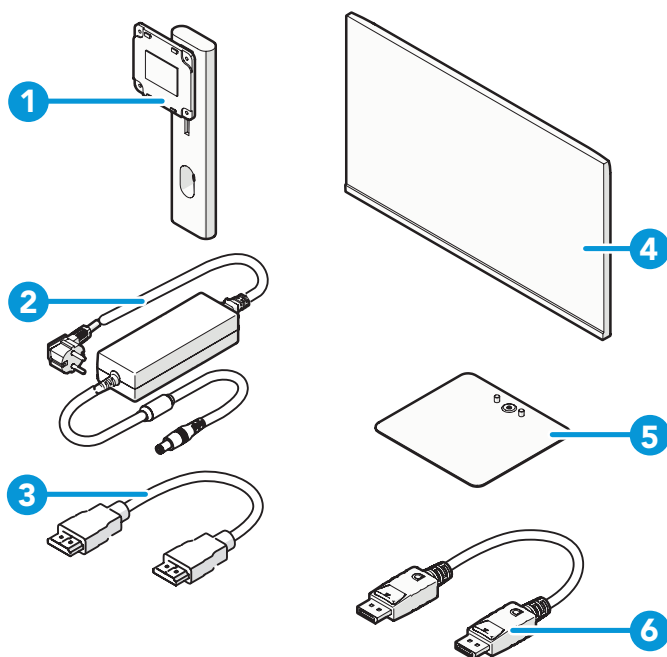
Ce produit est un moniteur LCD de 27 pouces destiné à afficher des images provenant d'un appareil source connecté. Le moniteur prend en charge les entrées de signaux via HDMI et DisplayPort et offre une résolution optimale de 3840×2160 à 60 Hz. Il est alimenté par un adaptateur externe de 12V et a une faible consommation d'énergie. En outre, le moniteur dispose d'une sortie audio casque pour la lecture via l'appareil connecté.

3. PRÉPARATION

3.1 DÉBALLAGE DU MONITEUR

1. Retirez tous les éléments d'emballage et les éventuelles fixations de transport (par exemple, ruban adhésif, attaches, serre-câbles et film de protection).
2. Assurez-vous que tous les composants sont présents et que le moniteur et les accessoires ne sont pas endommagés.

3.2 COMPOSANTS PRINCIPAUX



1. Support
2. Bloc d'alimentation
3. Câble DisplayPort (1,5 mètre)

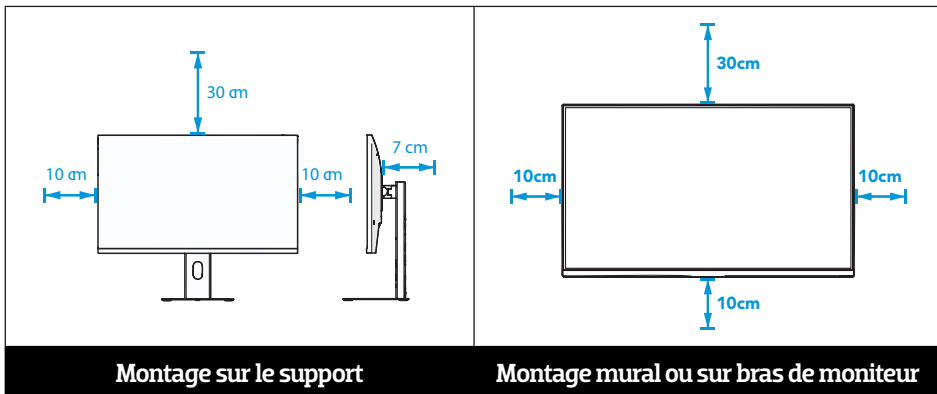
4. Écran
5. Base
6. Câble HDMI (1,5 mètre)

3.3 CHOIX DE LA CONFIGURATION DE MONTAGE

Montez le moniteur sur le support fourni ou choisissez une autre méthode de montage : montage sur un bras de moniteur ou sur une console murale. Ces derniers éléments ne sont pas fournis de série, vous devez les acheter vous-même.

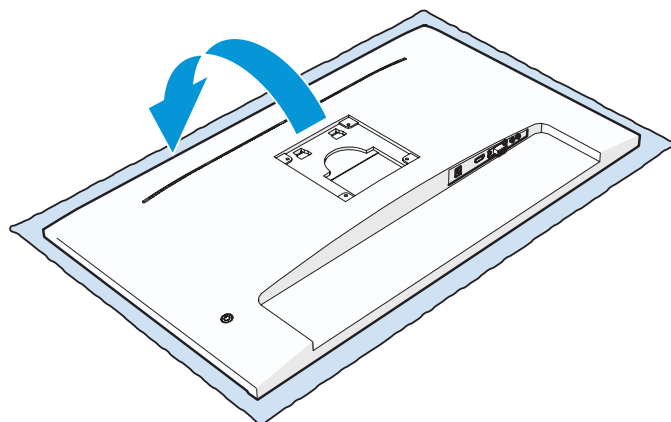
Choisissez la méthode de montage souhaitée en fonction de vos préférences et de l'espace disponible autour du moniteur.

FR

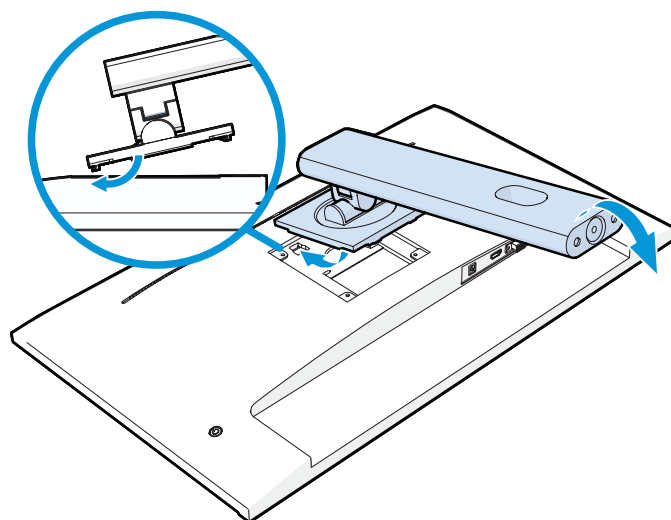


ⓘ Aucun accessoire n'est fourni pour fixer le moniteur au mur. Si vous souhaitez fixer le moniteur au mur, vous devez acheter une console murale séparément. Choisissez une console murale au format VESA 100 × 100 millimètres.

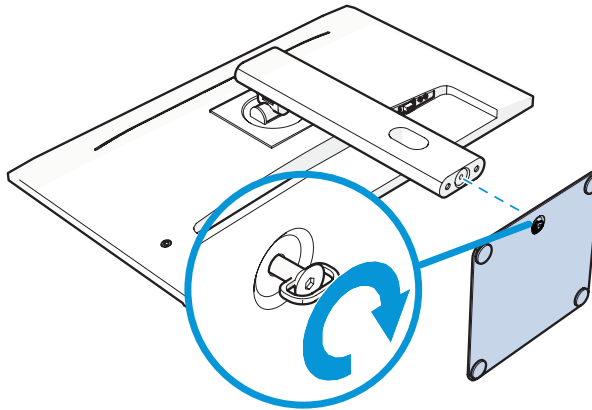
3.4 FIXATION DU SUPPORT AU MONITEUR



1. Posez un chiffon doux sur une surface plane.
2. Placez délicatement le moniteur face vers le bas sur le chiffon doux.

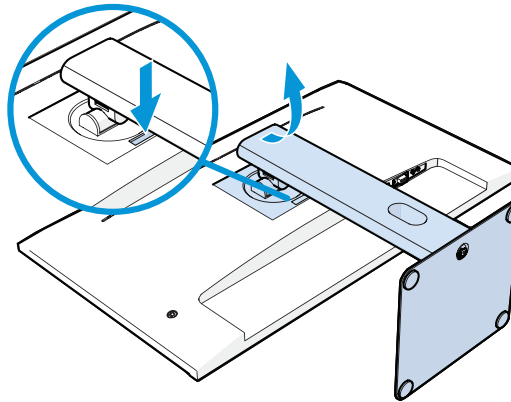


3. Clipsez le support dans l'écran PC.



4. Alignez le support avec la vis pivotante située sous le pied.
5. Fixez le pied au support et serrez-le.
6. Remplacez délicatement le moniteur à la verticale sur une surface plane et stable.

3.5 DÉMONTAGE



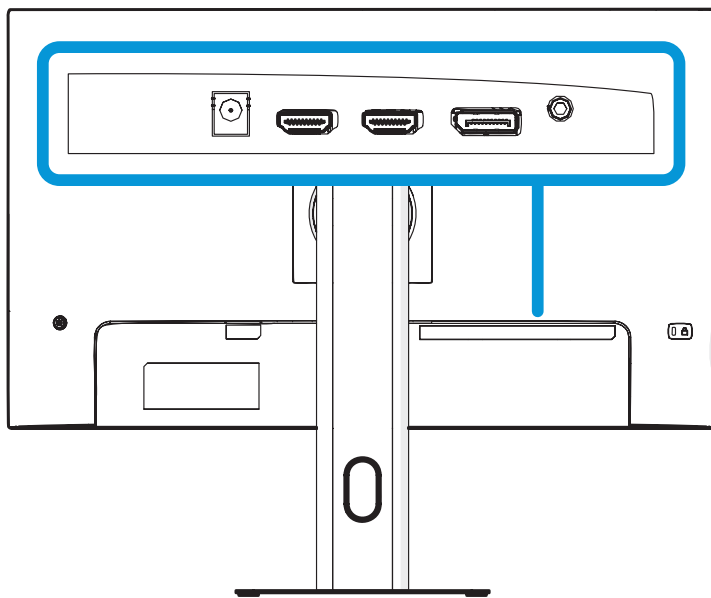
1. Appuyez sur le bouton situé en bas de la plaque VESA et maintenez-le enfoncé.
2. Retirez délicatement le support du moniteur.

3.6 FIXATION DU BRAS DE MONITEUR OU DE LA CONSOLE MURALE

Consultez le manuel du produit (bras de moniteur ou console murale) que vous avez acheté pour procéder à une installation correcte.

4. CONNECTEURS

Les connecteurs suivants sont présents sur le moniteur (de gauche à droite) :



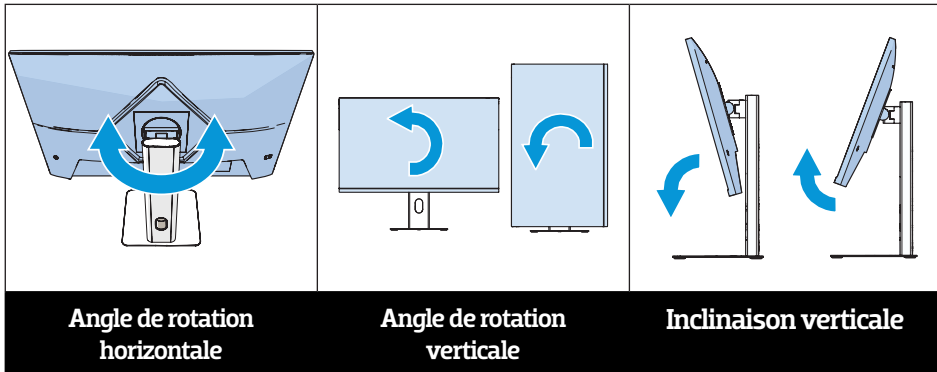
Connecteur	Description
DC	Pour connecter le moniteur à une source de courant via le câble d'alimentation.
HDMI	Pour connecter le moniteur à une source via le câble HDMI.
DisplayPort	Pour connecter le moniteur à une source via un câble DP.
Casque audio	Pour connecter un périphérique de sortie audio au moniteur.

FR

5. RÉGLAGES

5.1 ROTATION OU INCLINAISON DU MONITEUR

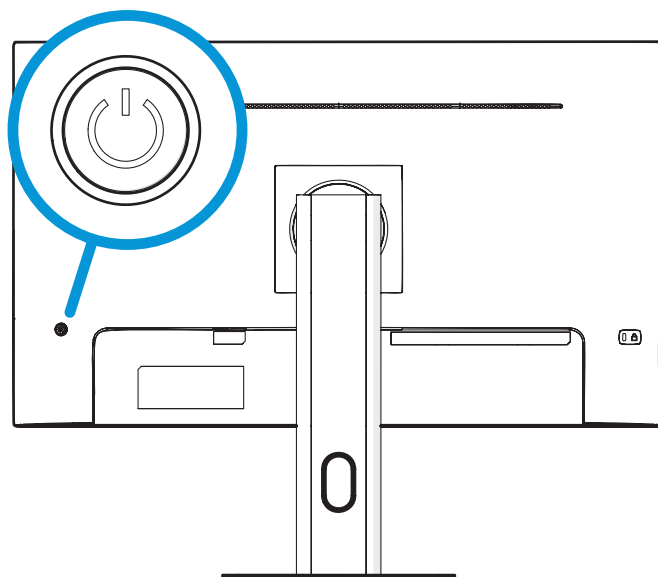
Le moniteur peut être tourné/incliné dans trois directions :



① L'angle de rotation horizontale est limité lorsque le moniteur est fixé au mur.

5.2 PANNEAU DE COMMANDE

Vous pouvez régler le moniteur à l'aide du bouton situé à l'arrière de l'écran.



1. Appuyez sur le bouton marche/arrêt pour allumer le moniteur.
2. Appuyez sur le bouton marche/arrêt vers le bas ou vers le haut pour sélectionner une catégorie dans le menu.
3. Appuyez sur le bouton marche/arrêt vers la droite pour sélectionner un réglage dans la catégorie sélectionnée.
4. Appuyez sur le bouton marche/arrêt vers le bas ou vers le haut pour sélectionner un réglage dans le menu.
5. Appuyez sur le bouton marche/arrêt vers la droite pour sélectionner le réglage.
6. Appuyez sur le bouton marche/arrêt vers la gauche ou la droite pour ajuster le réglage.
7. Appuyez sur le bouton marche/arrêt vers le bas pour confirmer votre choix.
8. Appuyez sur le bouton marche/arrêt vers la gauche pour quitter le menu.

5.3 MENU RÉGLAGES

FR

Catégorie	Réglage	Description
Mode image		
Standard	Luminosité	Régler la luminosité de l'écran.
RTS	Contraste	Ajuste la différence entre les zones claires et sombres de l'écran.
FPS	Égaliseur Noir	Augmente les détails dans les scènes sombres pour une meilleure visibilité.
MOBA	Netteté	Augmenter ou diminuer la netteté des bords et des détails.
Film	Surmultiplié	Ajustez le temps de réponse des pixels pour des mouvements plus fluides.
Photo		
Texte		
sRGB		
Affichage HDR		
Jeu HDR		
Cinéma HDR		
	DCR	Optimisation automatique du contraste dynamique pour une meilleure qualité d'image.
	Gamma	Définit la courbe gamma de l'écran.
	Température de couleur	Réglez la température de couleur (Chaud/Normal/Froid/Manuel).
	Filtre de lumière bleue	Réduit la lumière bleue pour une vision plus confortable.
	Rappel	Rétablir les paramètres d'image par défaut.
Couleur		
Couleur 6 axes	Hue	Ajuster la teinte par canal de couleur (R/V/B/C/M/J).
	Saturation	Réglage de la saturation par canal (R/V/B/C/M/J).
Espace couleur	Natif	Choisissez des espaces de couleurs différentes.
	sRGB	
	Adobe RGB	
	DCI P3	

Catégorie	Réglage	Description
Gamme de couleurs	Auto	Réglage de la gamme de couleurs de l'affichage.
	Gamme complète	
	Gamme limitée	
Domaine des couleurs	Auto	Réglage du domaine chromatique de l'affichage des couleurs.
	Mode RVB	
	Mode YUV	
Faiblesse de la couleur	Filtre rouge	Optimiser le rendu des couleurs en cas de déficience de la vision des couleurs rouge ou verte (filtres).
	Filtre vert	
Configuration des jeux		
Synchronisation adaptative	Désactivé/Activé	Empêche les déchirures et les bégaiements pendant les jeux.
Réticule	Mode	Affichez un réticule et choisissez le style, la couleur et la position.
	H. Position	
	V. Position	
	Couleur	
Avis du FPS	Désactivé/Activé	Affiche les images par seconde à l'écran.
Timer	Arrêt /15:00/30:00 /45:00/60:00/ 90:00	Définir un compte à rebours à afficher à l'écran.
Configuration audio		
Volume		Régler le volume du haut-parleur intégré.
Sourdine	Off/On	Désactiver le son.
Sélection de l'entrée		
HDMI1		Réglage du type d'interface d'entrée.
HDMI2		
DP1		

Catégorie	Réglage	Description
Système		
Langue		Définir la langue du menu à l'écran.
Configuration de l'OSD	H. Position	Permet de régler la position verticale du menu OSD.
	V. Position	Permet de régler la position verticale du menu OSD.
	Rotation de l'OSD	Rotation du menu OSD (0°/90°/270°).
	Délai OSD	Définir le délai avant la fermeture automatique du menu OSD.
	Transparence	Réglage de la transparence du menu OSD.
Rapport de format	Natif	Réglage du format d'image.
	04:03:00	
	Plein écran	
Indicateur LED	Off/On	Allumer ou éteindre le voyant d'état.
Avis de résolution	Off/On	Afficher un avertissement lorsque la résolution n'est pas optimale.
DDC/CI	Off/On	Activer ou désactiver la commande logicielle externe via DDC/CI.
Rappel de mémoire	Confirmer/ Annuler	Rétablir tous les paramètres par défaut.
Informations		
Résolution actuelle		Affiche les informations actuelles de l'appareil.
Résolution optimale		
H. Fréquence		
Horloge Pixel		
Version du micrologiciel		

6. ENTRETIEN ET NETTOYAGE

Nettoyez régulièrement le moniteur.

1. Appuyez sur le bouton marche/arrêt situé à l'arrière de l'écran pour éteindre le moniteur.
2. Essuyez la poussière visible sur le moniteur à l'aide d'un chiffon sec en microfibre.
3. Humidifiez le chiffon en microfibres avec de l'eau et un produit de nettoyage sans ammoniac ni acétone. Utilisez de préférence un nettoyeur spécial pour écrans afin d'éliminer les taches tenaces.

i N'appliquez pas le produit de nettoyage directement sur l'écran, mais sur le chiffon en microfibres.

4. Séchez le moniteur avec un chiffon sec en microfibre.
5. Appuyez sur le bouton marche/arrêt situé à l'arrière de l'écran pour allumer le moniteur.

7. DÉPANNAGE

Problème	Cause possible	Solution possible
Le voyant à LED est éteint.	Le câble d'alimentation n'est pas branché.	Raccordez le câble d'alimentation au connecteur DC et à une source de courant.
	Le mode veille est activé. L'ordinateur auquel le moniteur est connecté est éteint.	Allumez l'ordinateur auquel le moniteur est connecté. Le moniteur quitte automatiquement le mode veille.
L'image n'est pas nette. L'image est trop petite ou trop grande. L'image clignote.	Les réglages de l'image sont incorrects.	Réglez les paramètres de l'image dans le menu à l'écran « Paramètres de l'image ». Sélectionnez « Ajustement automatique de l'image » pour
Le moniteur surchauffe.	Il n'y a pas assez d'espace autour des ouvertures de ventilation.	Veillez à ce qu'il y ait suffisamment d'espace autour des ouvertures de ventilation. Pour les dimensions, voir le chapitre « Choisir la configuration de montage ».
Le moniteur est éteint. Le voyant à LED clignote.	Le mode d'économie d'énergie est activé.	Appuyez sur n'importe quelle touche du clavier ou déplacez la souris pour rallumer le moniteur.
L'écran ne cesse de s'allumer et de s'éteindre.	Le câble DP/VGA/HDMI n'est pas correctement connecté au moniteur et/ou à l'ordinateur.	Vérifiez la connexion du câble DP/HDMI entre le moniteur et l'ordinateur. Assurez-vous que les connecteurs sont bien engagés.
L'écran est trop sombre.	La luminosité et le contraste sont mal réglés.	Réglez la luminosité et le contraste dans le menu « Luminosité et contraste » à l'écran.
L'écran est trop clair.		
Les haut-parleurs ne produisent pas de son	Le dispositif de lecture sur l'ordinateur n'est pas réglé correctement	Définissez le moniteur comme périphérique de lecture sur le PC
Un son est émis lorsque le moniteur est éteint.	Ce phénomène est normal et n'interfère pas avec le fonctionnement normal du moniteur.	
Taches sombres ou claires sur l'image pendant les 20 premières minutes d'utilisation.	Ce phénomène est normal et n'interfère pas avec le fonctionnement normal du moniteur.	

8. GARANTIE

L'appareil est livré avec une période de garantie de 5 ans après l'achat. Pour faire valoir la garantie, vous avez besoin de la facture d'achat avec la date d'achat et/ou de livraison. Pour en savoir plus sur les conditions de garantie, rendez-vous sur ; www.coolblue.be/fr/service-client.

9. MISE HORS SERVICE

1. Nettoyez l'appareil. Suivez les instructions du chapitre « Entretien et nettoyage ».
2. Débranchez le bloc d'alimentation de la prise de courant (avec borne de terre).
3. Retirez délicatement l'appareil de son emplacement.
4. Rangez l'appareil dans son emballage d'origine, dans un endroit sec et fermé.

10. CONFORMITÉ

Par la présente, Wisepick Productions B.V. déclare que l'appareil est conforme au Règlement (UE) [2019/2021]. Le texte intégral de la déclaration de conformité UE peut être consulté sur le site www.coolblue.be en effectuant une recherche par numéro d'article.

11. MISE AU REBUT SÉCURISÉE



Ce symbole indique que l'appareil ne doit pas être jeté avec les autres déchets ménagers au sein de l'UE. En éliminant l'appareil correctement, vous contribuerez à prévenir les risques potentiels pour l'environnement et la santé humaine. Le recyclage des matériaux contribue à la préservation des ressources naturelles. Par conséquent, ne jetez pas les appareils électroniques mis au rebut avec les déchets ménagers. Lors de la mise au rebut de l'appareil, respectez les réglementations nationales et locales concernant la mise au rebut écologique des équipements électroniques.

BlueBuilt est une marque déposée de Wisepick Productions B.V.
Le service client est joignable via : <https://www.coolblue.be/fr/service-client>.

Wisepick Productions B.V.
Weena 664 3012 CN, Rotterdam, Pays-Bas

INHALTSVERZEICHNIS

VORWORT	56
1. SICHERHEITSVORSCHRIFTEN	57
2. PRODUKTEIGENSCHAFTEN	58
3. VORBEREITUNG	59
3.1 Auspacken des Monitors.	59
3.2 Hauptkomponenten.	59
3.3 Montageanordnung wählen.	60
3.4 Befestigung des Ständers am Monitor.	61
3.5 Demontieren.	62
3.6 Monitorarm oder Wandhalterung befestigen	62
4. ANSCHLÜSSE	63
5. EINSTELLUNG	64
5.1 Drehen oder Neigen des Monitors	64
5.2 Das Bedienfeld.	65
5.3 Menü Einstellungen	66
6. WARTUNG UND REINIGUNG	69
7. PROBLEMLÖSUNG	70
8. GARANTIE	71
9. AUSSERBETRIEBNAHME	71
10. KONFORMITÄT	71
11. SICHERE ENTSORGUNG	72

DE

VORWORT

ÜBER DIESES DOKUMENT

- Diese Gebrauchsanleitung enthält alle Informationen für den korrekten, effizienten und sicheren Gebrauch des Monitors.
- Lesen Sie die Anweisungen in diesem Handbuch vollständig durch, bevor Sie Ihr Produkt installieren oder benutzen.
- Bewahren Sie dieses Dokument für künftige Nachschlagezwecke auf, solange Sie das Produkt verwenden und/oder besitzen. Geben Sie die Anleitung an den nächsten Benutzer der Dockingstation weiter.
- BlueBuilt kann in keiner Weise für immaterielle Schäden an Ihnen oder anderen oder Sachschäden am Gerät, an Ihrem Eigentum oder Eigentum anderer haftbar gemacht werden, die durch die Nichtbefolgung oder nicht korrekte Befolgung der Anweisungen in dieser Anleitung entstanden sind.
- Die neueste Version dieser Anleitung finden Sie unter www.coolblue.de oder coolblue.be/de, wenn Sie nach der Artikelnummer suchen (siehe Deckblatt).

DE

URSPRÜNGLICHE ANWEISUNGEN

Diese Gebrauchsanleitung wurde ursprünglich auf Niederländisch verfasst. Alle anderen Sprachen sind übersetzte Dokumente. Bei Übersetzungsfehlern ist die niederländische Version maßgeblich.

URHEBERRECHT

Die in dieser Gebrauchsanleitung abgebildeten Daten, darunter Texte, Fotos, Grafiken, Bildmarken, (Handels-)Namen und Logos, sind Eigentum von BlueBuilt und unterliegen dem Urheberrecht, dem Markenrecht und/oder anderen geistigen Eigentumsrechten, es sei denn, diese Daten gehören einem Dritten. Ohne vorherige schriftliche Zustimmung von BlueBuilt und/oder des Dritten, dem die Daten gehören, ist es nicht gestattet, den Inhalt der Gebrauchsanleitung ganz oder teilweise zu vervielfältigen, zu übertragen, zu verbreiten, zu speichern oder Dritten gegen Entgelt verfügbar zu machen.

KONTAKTDATEN

BlueBuilt ist eine eingetragene Marke von Wisepick Productions B.V.
Den Kundendienst erreichen Sie unter: <https://www.coolblue.de/kundendienst>

Wisepick Productions B.V.
Weena 664
3012 CN Rotterdam
Niederlande
www.coolblue.de

1. SICHERHEITSVORSCHRIFTEN



WARNUNG!

- Verwenden Sie den Monitor nicht in einer feuchten oder nassen Umgebung.
- Berühren Sie den Monitor und das Netzkabel nie mit nassen Händen.
- Verwenden Sie nur das mit dem Monitor gelieferte Original-Netzkabel.
- Das Produkt darf nur mit der Spannung betrieben werden, die der Kennzeichnung auf dem Produkt entspricht.
- Verwenden Sie den Monitor nicht, wenn das Netzkabel oder der Monitor beschädigt ist. Ersetzen Sie ein beschädigtes oder defektes Gerät oder Netzkabel sofort.
- Nehmen Sie keine Reparaturen am Monitor und am Netzkabel vor, die nicht in dieser Anleitung beschrieben sind. Der Monitor darf nur von einem autorisierten Servicetechniker repariert werden.
- Verwenden Sie kein Zubehör, das nicht im Lieferumfang enthalten ist.
- Stellen Sie den Monitor nicht in der Nähe von Wärmequellen auf.
- Lassen Sie Kinder nie mit dem Verpackungsmaterial spielen. Das Verpackungsmaterial für Kinder unzugänglich aufbewahren.
- Ziehen Sie den Stecker aus der Steckdose, wenn Sie ungewöhnliche Geräusche hören, einen ungewöhnlichen Geruch wahrnehmen oder Rauchentwicklung bemerken.
- Stecken Sie nie Gegenstände in die Lüftungsöffnungen.



VORSICHT!

- Drehen oder knicken Sie das Netzkabel nicht und rollen Sie es nicht auf. Klemmen Sie das Netzkabel nicht zwischen der Oberfläche und dem Monitor ein. Die Isolierung des Netzkabels kann dadurch beschädigt werden.
- Halten Sie das Netzkabel frei von Staub und Schmutz.
- Bewegen Sie die verstellbaren Teile des Monitors mit der gebotenen Vorsicht, um ein Einklemmen der Hände und/oder Finger zu vermeiden.



ACHTUNG!

- Ziehen Sie das Netzkabel nicht aus der Steckdose, wenn der Monitor in Gebrauch ist.
- Ziehen Sie nicht am Netzkabel, um den Stecker aus der Steckdose zu ziehen. Ziehen Sie immer am Stecker.
- Lassen Sie den Monitor nicht fallen und vermeiden Sie Stöße. Das Fallenlassen oder Stoßen des Monitors kann den Monitor beschädigen und seine Funktion beeinträchtigen. Verwenden Sie den Monitor nicht, wenn er heruntergefallen ist.

- Vermeiden Sie Verfärbungen auf dem Gehäuse und setzen Sie den Monitor nicht dem direkten Sonnenlicht aus.
- Stellen Sie den Monitor immer auf eine ebene und stabile Fläche oder befestigen Sie ihn an einem stabilen Monitorarm oder einer Wandhalterung.
- Stellen Sie den Monitor in der Nähe einer leicht zugänglichen Steckdose auf.
- Achten Sie darauf, dass die Entlüftungsöffnungen nicht blockiert werden.
- Stellen Sie den Monitor nicht an Orten mit starken mechanischen Vibrationen auf.
- Stellen Sie den Monitor nicht direkt gegenüber einer Klimaanlage auf, um Kondensation und mögliche Schäden zu vermeiden.
- Ziehen Sie immer alle Kabel vom Monitor ab, bevor Sie den Monitor bewegen.
- Ziehen Sie nie am Stromkabel, um den Monitor zu tragen, umzustellen oder um den Stecker aus der Steckdose zu ziehen.
- Steigen Sie nicht auf den Monitor und sitzen oder stehen Sie niemals darauf.
- Setzen Sie den Monitor keinen starken elektromagnetischen Feldern aus, um Störungen oder Schäden zu vermeiden.
- Ziehen Sie das Netzkabel aus der Steckdose, bevor Sie den Monitor reinigen.
- Verwenden Sie keine Reinigungsmittel. Verwenden Sie immer ein weiches, feuchtes Tuch. Verwenden Sie vorzugsweise einen speziellen Bildschirmreiniger, um hartnäckige Flecken zu entfernen.
- (i) Tragen Sie das Reinigungsmittel nicht direkt auf den Bildschirm, sondern auf das Mikrofasertuch auf.
- Drücken Sie nicht mit Ihren Händen oder anderen Gegenständen auf den Monitor.

2. PRODUKTEIGENSCHAFTEN

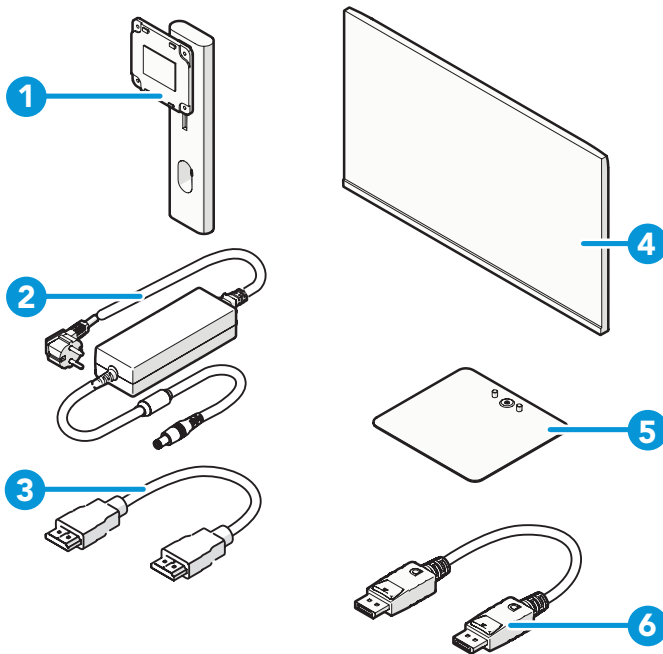
Dieses Produkt ist ein 27-Zoll-LCD-Monitor, der für die Anzeige der Bilder eines angeschlossenen Quellgeräts vorgesehen ist. Der Monitor unterstützt Signaleingänge über HDMI und DisplayPort und liefert eine optimale Auflösung von 3840×2160 bei 60 Hz. Er wird über einen externen 12-V-Adapter mit Strom versorgt und hat einen geringen Stromverbrauch. Darüber hinaus verfügt der Monitor über einen Kopfhörerausgang für die Audiowiedergabe über das angeschlossene Gerät.

3. VORBEREITUNG

3.1 AUSPACKEN DES MONITORS

1. Entfernen Sie sämtliches Verpackungsmaterial und eventuell vorhandene Transportbefestigungen (z. B. Klebeband, Kabelbinder und Schutzfolie).
2. Überprüfen Sie, ob alle Teile vorhanden sind und ob weder der Monitor noch das Zubehör Beschädigungen haben.

3.2 HAUPTKOMPONENTEN



1. Ständer
2. Netzkabel
3. DisplayPort-Kabel (1,5 Meter)

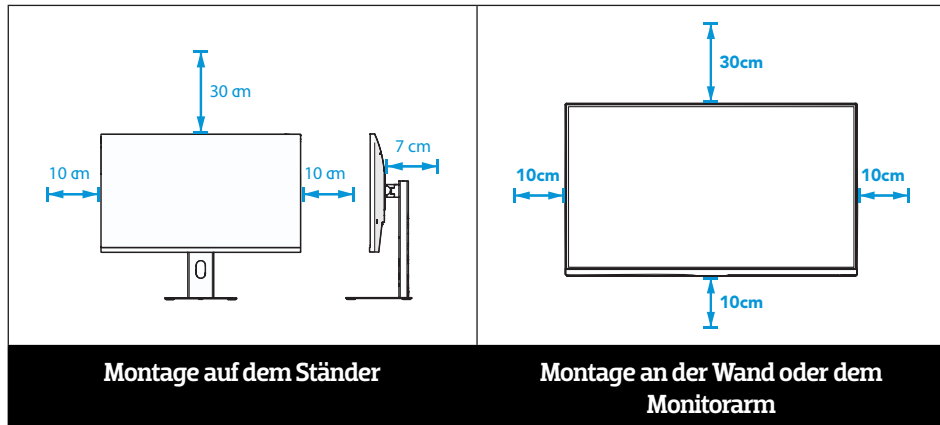
4. Bildschirm
5. Standfuß
6. HDMI-Kabel (1,5 Meter)

3.3 MONTAGEANORDNUNG WÄHLEN

Montieren Sie den Monitor auf dem mitgelieferten Ständer oder wählen Sie eine andere Montagemethode: Montage an einem Monitorarm oder einer Wandhalterung. Diese sind nicht im Lieferumfang enthalten und müssen von Ihnen selbst gekauft werden.

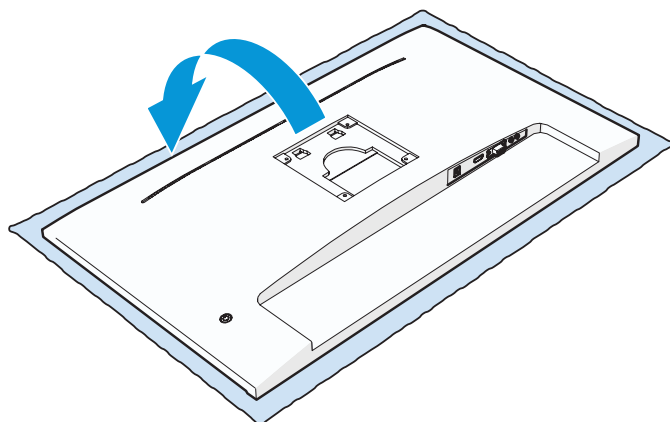
Wählen Sie die gewünschte Montagemethode je nach Ihrer Vorliebe und dem verfügbaren Platz rund um den Monitor.

DE

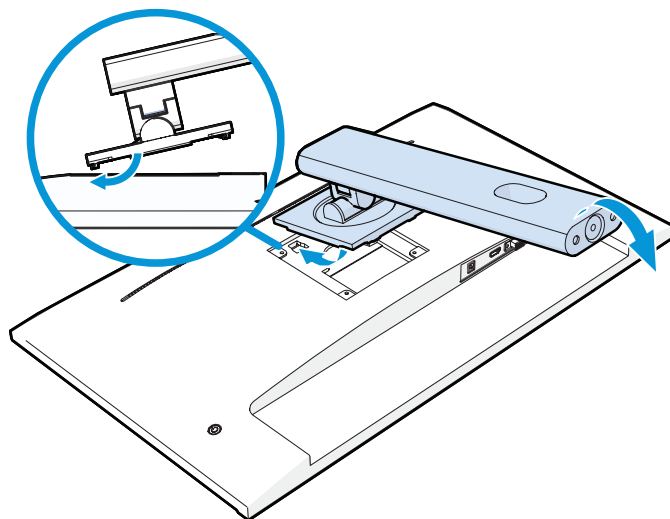


ⓘ Im Lieferumfang ist kein Zubehör für die Wandmontage des Monitors enthalten. Sie möchten den Monitor an der Wand befestigen? Kaufen Sie dann separat eine Wandhalterung. Wählen Sie eine Wandhalterung mit der VESA-Größe 100 × 100 Millimeter.

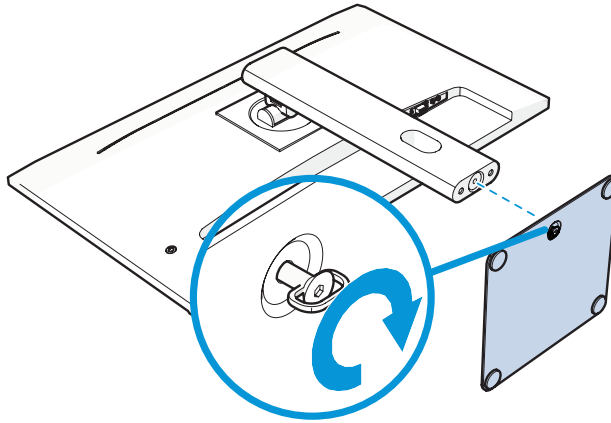
3.4 BEFESTIGUNG DES STÄNDERS AM MONITOR



1. Legen Sie ein weiches Tuch auf eine ebene Fläche.
2. Legen Sie den Monitor mit der Vorderseite nach unten vorsichtig auf das weiche Tuch.

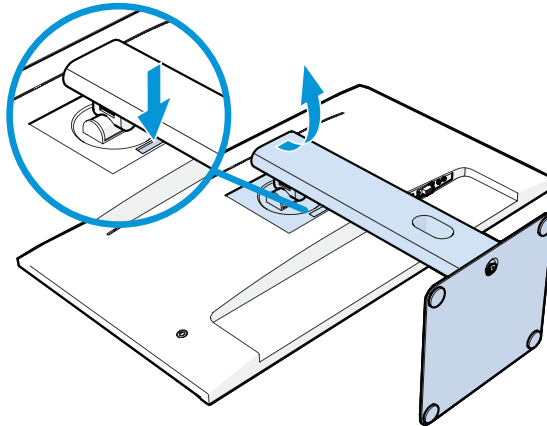


3. Befestigen Sie den Ständer am Monitor.



4. Richten Sie den Ständer an der Schraube an der Unterseite vom Fuß aus.
5. Befestigen Sie den Fuß am Ständer, indem Sie die Schraube anziehen.
6. Stellen Sie den Monitor vorsichtig aufrecht auf eine ebene und stabile Fläche.

3.5 DEMONTIEREN



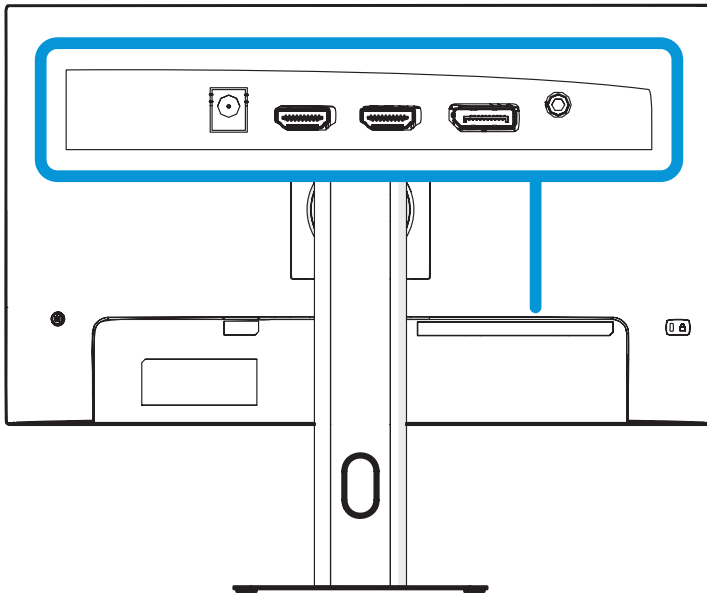
1. Halten Sie die Taste an der Unterseite der VESA-Platte gedrückt.
2. Nehmen Sie den Standard vorsichtig vom Monitor ab.

3.6 MONITORARM ODER WANDHALTERUNG BEFESTIGEN

Schauen Sie in der Gebrauchsanleitung des Produkts (Monitorarm oder Wandhalterung) nach, das Sie gekauft haben, wie es richtig installiert wird.

4. ANSCHLÜSSE

Der Monitor verfügt über die folgenden Anschlüsse (von links nach rechts):

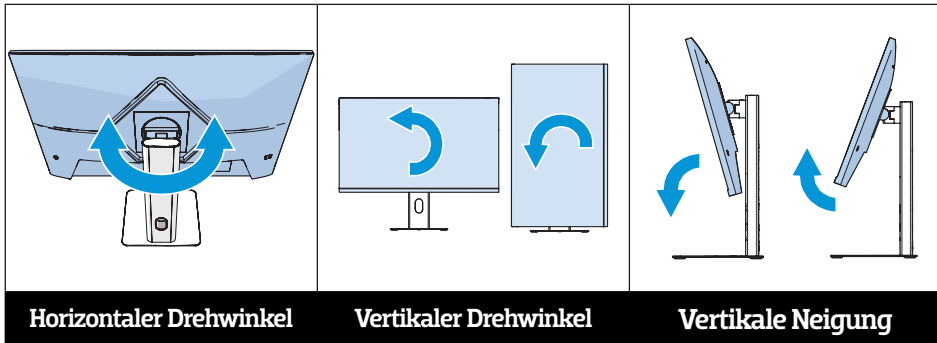


Anschluss	Beschreibung
Gleichstrom	Um den Monitor über das Netzkabel an eine Stromquelle anzuschließen.
HDMI	Zum Anschluss des Monitors an eine Quelle über den USB2.0-Anschluss.
DisplayPort	Zum Anschluss des Monitors an eine Quelle über ein DP-Kabel.
Kopfhörer	Zum Anschluss eines Audioausgabegeräts an den Monitor.

5. EINSTELLUNG

5.1 DREHEN ODER NEIGEN DES MONITORS

Der Monitor kann in drei Richtungen gedreht/geneigt werden:

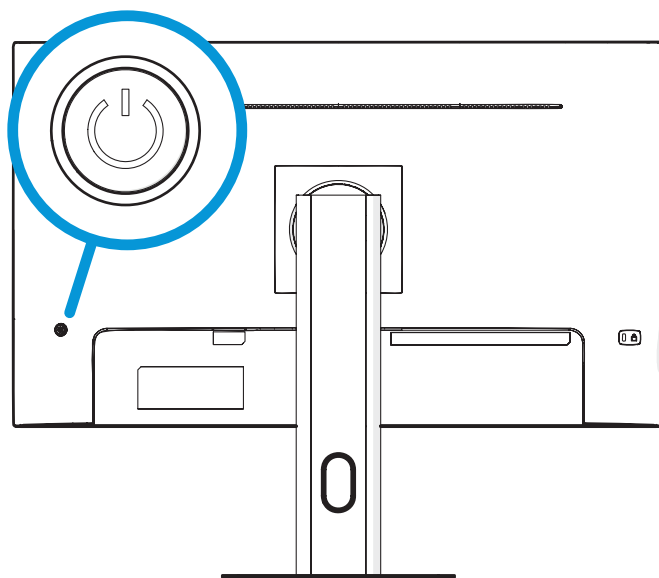


DE

ⓘ Der horizontale Drehwinkel ist begrenzt, wenn der Monitor an der Wand oder an einem Monitorarm montiert ist.

5.2 DAS BEDIENFELD

Stellen Sie den Monitor mit der Taste auf der Rückseite des Monitors ein.



DE

1. Drücken Sie die Ein-/Ausschalttaste, um den Monitor einzuschalten.
2. Drücken Sie die Ein-/Ausschalttaste nach unten oder oben und wählen Sie eine Kategorie aus dem Menü.
3. Drücken Sie die Ein-/Ausschalttaste nach rechts und wählen Sie eine Einstellung in der gewählten Kategorie.
4. Drücken Sie die Ein-/Ausschalttaste nach unten oder oben und wählen Sie eine Einstellung aus dem Menü.
5. Drücken Sie die Ein-/Ausschalttaste nach rechts und wählen Sie die Einstellung.
6. Drücken Sie die Ein-/Ausschalttaste nach links oder rechts und ändern Sie die Einstellung.
7. Drücken Sie die Ein-/Ausschalttaste nach unten und bestätigen Sie Ihre Auswahl.
8. Drücken Sie die Ein-/Ausschalttaste nach links und verlassen Sie das Menü.

5.3 MENÜ EINSTELLUNGEN

Kategorie	Einstellung	Beschreibung
Bildmodus		
Standard	Helligkeit	Passen Sie die Bildschirmhelligkeit an.
RTS	Kontrast	Passen Sie den Unterschied zwischen hellen und dunklen Bereichen des Bildschirms an.
FPS	Black Equalizer	Erhöht die Detaildarstellung in dunklen Szenen für bessere Sichtbarkeit.
MOBA	Schärfe	Erhöhen oder verringern Sie die Kanten- und Detailschärfe.
Film	Overdrive	Passen Sie die Pixel-Reaktionszeit für flüssigere Bewegungen an.
Foto		
Tekst		
sRGB		
Display-HDR		
HDR-Spiel		
HDR-Kino		
	Gamma	Stellen Sie die Gammakurve des Displays ein.
	Farbtemp.	Stellen Sie die Farbtemperatur ein (Warm/Normal/Kühl/Manuell).
	Blaulichtfilter	Blaulichtreduzierung für ein angenehmeres Seherlebnis.
	Erinnerung	Stellen Sie die Bildeinstellungen auf die Werkseinstellungen zurück.
Farbe		
6-Achsen-Farbe	Farbton	Stellen Sie den Farbton pro Farbkanal (R/G/B/C/M/Y) ein.
	Sättigung	Passen Sie die Sättigung der einzelnen Kanäle (R/G/B/C/M/Y) an.
Farbraum	Native	Wählen Sie verschiedene Farbräume.
	sRGB	
	Adobe RGB	
	DCI P3	

Kategorie	Einstellung	Beschreibung
Farbbereich	Auto	Einstellen des Farbbereichs der Displayfarben.
	Vollständiger Bereich	
	Begrenzter Bereich	
Farbbereich	Auto	Einstellen der Color Domain für die Anzeige von Farben.
	RGB-Modus	
	YUV-Modus	
Farb-schwäche	Rotfilter	Optimieren Sie die Farbwiedergabe bei Rot- oder Grün-Farbsehschwäche (Filter).
	Grünfilter	
Gaming-Einstellungen		
Adap-tive-Sync	Aus/Ein	Reduziert Bewegungsunschärfe bei schnellen Bewegungen.
Fadenkreuz	Modus	Blendet ein Fadenkreuz ein und lässt Sie Stil, Farbe und Position wählen.
	H- Position	
	V- Position	
	Farbe	
FPS-Hinweis	Aus/Ein	Frames pro Sekunde auf dem Bildschirm anzeigen.
Timer	Aus/15:00/30:00/45:00/60:00/90:00	Stellen Sie einen Countdown-Timer ein, der auf dem Bildschirm angezeigt wird.
Audio-Setup		
Lautstärke		Stellen Sie die Lautstärke des eingebauten Lautsprechers ein.
Stummges-chaltet	Aus/Ein	Den Ton ausschalten.
Eingangsauswahl		
HDMI1		Einstellen des Eingangsschnittstellentyps.
HDMI2		
DP1		

Kategorie	Einstellung	Beschreibung
System		
Sprache		Einstellen der Sprache des Bildschirmmenüs.
OSD-Setup	H- Position	Passen Sie die vertikale Position des OSD-Menüs an.
	V- Position	Passen Sie die vertikale Position des OSD-Menüs an.
	OSD-Drehung	Drehen Sie das OSD-Menü (0°/90°/270°).
	OSD-Zeitüberschreitung	Stellen Sie die Zeit ein, nach der das OSD-Menü automatisch geschlossen wird.
	Transparenz	Stellen Sie die Transparenz des OSD-Menüs ein.
Bildseitenverhältnis	Native	Einstellen des Seitenverhältnisses.
	04:03:00	
	Vollbild	
LED-Anzeige	Aus/Ein	Schalten Sie die Status-LED ein oder aus.
Hinweis zur Auflösung	Aus/Ein	Eine Warnung anzeigen, wenn die Auflösung nicht optimal ist.
DDC/CI	Aus/Ein	Schalten Sie die externe Softwaresteuerung über DDC/CI ein oder aus.
Gedächtnisabruf	Bestätigen/	Alle Einstellungen auf die Werkseinstellungen zurücksetzen.
Information		
Aktuelle Auflösung		Aktuelle Geräteinformationen anzeigen.
Optimale Auflösung		
H- Frequenz		
Pixel-Takt		
Firm-ware-Version		

6. WARTUNG UND REINIGUNG

Reinigen Sie den Monitor häufig.

1. Schalten Sie den Monitor durch Drücken auf die Ein-/Ausschalttaste auf der Rückseite des Monitors aus.
2. Wischen Sie den sichtbaren Staub mit einem trockenen Mikrofasertuch vom Monitor ab.
3. Befeuchten Sie das Mikrofasertuch mit Wasser und einem Reinigungsmittel ohne Ammoniak oder Aceton. Verwenden Sie vorzugsweise einen speziellen Bildschirmreiniger, um hartnäckige Flecken zu entfernen.

ⓘ Tragen Sie das Reinigungsmittel nicht direkt auf den Bildschirm, sondern auf das Mikrofasertuch auf.

4. Wischen Sie den Monitor mit einem trockenen Mikrofasertuch trocken.
5. Schalten Sie den Monitor durch Drücken auf die Ein-/Ausschalttaste auf der Rückseite des Monitors ein.

7. PROBLEMLÖSUNG

DE

Problem	Mögliche Ursache	Mögliche Lösung
Die Anzeige-LED leuchtet nicht.	Das Netzkabel ist nicht angeschlossen.	Schließen Sie das Netzkabel an den Gleichstromanschluss und an eine Stromquelle an.
	Der Standby-Modus ist aktiviert. Der PC, an den der Monitor angeschlossen ist, ist ausgeschaltet.	Schalten Sie den PC ein, an den der Monitor angeschlossen ist. Der Monitor verlässt den Standby-Modus automatisch.
Das Bild ist nicht scharf. Das Bild ist zu klein oder zu groß. Das Bild flackert.	Die Bildeinstellungen sind nicht korrekt eingestellt.	Passen Sie die Bildeinstellungen im Bildschirmmenü „Bildeinstellung“ an. Wählen Sie „Automatische Bildanpassung“, um
Der Monitor überhitzt gerade.	Um die Lüftungsöffnungen herum ist nicht genug Platz.	Achten Sie darauf, dass um die Lüftungsöffnungen herum genügend Platz ist. Die Abmessungen finden Sie im Kapitel „Montageaufbau wählen“.
Der Monitor ist ausgeschaltet. Die Anzeige-LED blinkt.	Der Energiesparmodus ist aktiviert.	Drücken Sie eine beliebige Taste auf der Tastatur oder bewegen Sie die Maus, um den Monitor einzuschalten.
Das Display schaltet sich ständig ein und aus.	Das DP-/VGA-/HDMI-Kabel ist nicht richtig mit dem Monitor und/oder dem PC verbunden.	Überprüfen Sie die DP-/HDMI-Kabelverbindung zwischen dem Monitor und dem PC. Sorgen Sie dafür, dass die Stecker vollen Kontakt haben.
Der Bildschirm ist zu dunkel.	Helligkeit und Kontrast sind falsch eingestellt.	Stellen Sie die Helligkeit und den Kontrast im Bildschirmmenü „Helligkeit und Kontrast“ ein.
Der Bildschirm ist zu hell.		
Die Lautsprecher strahlen keinen Ton aus	Das Wiedergabegerät am PC ist falsch eingestellt	Den Monitor als Wiedergabegerät auf dem PC einstellen
Beim Ausschalten des Monitors ist ein Ton zu hören.	Dies ist normal und beeinträchtigt die normale Funktion des Monitors nicht.	
Dunkle oder helle Flecken im Bild während der ersten 20 Minuten der Benutzung.	Dies ist normal und beeinträchtigt die normale Funktion des Monitors nicht.	

8. GARANTIE

Auf dieses Gerät wird eine 5-jährige Garantie ab dem Kaufdatum gewährt. Um einen Garantieanspruch geltend zu machen, benötigen Sie den Kaufbeleg mit Kauf- und/oder Lieferdatum. Weitere Informationen zu den Garantiebedingungen finden Sie auf www.coolblue.de/kundendienst.

9. AUSSERBETRIEBNAHME

1. Reinigen Sie das Gerät. Befolgen Sie die Anweisungen im Kapitel „Wartung und Reinigung“.
2. Ziehen Sie das Netzkabel aus der (geerdeten) Steckdose.
3. Entfernen Sie das Gerät vorsichtig von seinem Standplatz.
4. Bewahren Sie das Gerät in der Originalverpackung in einem trockenen und geschlossenen Raum auf.

DE

10. KONFORMITÄT

Hiermit erklärt Wisepick Productions B.V., dass das Gerät der Verordnung (EU) [2019/2021] entspricht. Der vollständige Wortlaut der EU-Konformitätserklärung kann unter www.coolblue.de abgerufen werden, wenn Sie nach der Artikelnummer suchen.

11. SICHERE ENTSORGUNG



Dieses Symbol zeigt an, dass das Gerät innerhalb der EU nicht mit anderen Haushaltsabfällen entsorgt werden darf. Indem Sie das Gerät sachgerecht entsorgen, tragen Sie dazu bei, mögliche Gefahren für die Umwelt und die menschliche Gesundheit zu vermeiden. Das Recycling von Materialien trägt zur Erhaltung unserer natürlichen Ressourcen bei. Entsorgen Sie ausrangierte elektronische Geräte daher nicht mit dem Hausmüll. Befolgen Sie bei der Entsorgung des Geräts die nationalen und lokalen Vorschriften bezüglich der umweltfreundlichen Entsorgung von Elektrogeräten.

BlueBuilt ist eine eingetragene Marke von Wisepick Productions B.V.
Den Kundendienst erreichen Sie unter: <https://www.coolblue.de/kundendienst>

Wisepick Productions B.V.
Weena 664
3012 CN Rotterdam
Niederlande

EN

NL

FR

DE

BACKSIDE.
Turn over for use.



BlueBuilt is a registered trademark of Wisepick Productions B.V.
Weena 664, 3012CN Rotterdam, The Netherlands
www.coolblue.nl/klantenservice // www.coolblue.be/nl/klantenservice
www.coolblue.be/fr/service-client // www.coolblue.de/kundendienst